



US00D960222S

(12) **United States Design Patent** (10) **Patent No.:** **US D960,222 S**
Eski (45) **Date of Patent:** **** Aug. 9, 2022**

(54) **FORENSIC CAMERA WITH MULTISPECTRAL IMAGING SYSTEM**

(71) Applicant: **Osman Eski**, Adana (TR)

(72) Inventor: **Osman Eski**, Adana (TR)

(**) Term: **15 Years**

(21) Appl. No.: **35/510,832**

(22) Filed: **Apr. 9, 2020**

(80) **Hague Agreement Data**

Int. Filing Date: **Apr. 9, 2020**

Int. Reg. No.: **DM/211227**

Int. Reg. Date: **Apr. 9, 2020**

Int. Reg. Pub. Date: **Nov. 27, 2020**

(30) **Foreign Application Priority Data**

Oct. 21, 2019 (TR) 2019/06619

(51) **LOC (13) Cl.** **16-05**

(52) **U.S. Cl.**

USPC **D16/219**; D24/138

CPC **G03B 17/04** (2013.01)

(58) **Field of Classification Search**

USPC D16/200–208, 218, 219; D24/108, 112, D24/117, 118, 132, 133, 137, 138, 222; 348/347, 373–376; 600/49, 109, 137, 600/145–147

CPC G03B 15/03; G03B 17/02; G03B 17/04; G03B 17/56; G03B 19/04; H04N 5/2251; H04N 5/2252; H04N 5/2253; H04N 5/2254; H04N 2101/00; H04N 5/33; H04N 5/332; A61B 1/000183; A61B 1/00; A61B 1/00039; A61B 1/00052; A61B 18/14; A61B 18/1445

See application file for complete search history.

(56) **References Cited**

U.S. PATENT DOCUMENTS

4,621,283 A * 11/1986 Feinbloom G02B 27/0172
348/E5.025

D359,744 S * 6/1995 Peavey D26/113

D474,276 S * 5/2003 Greise D16/202
6,840,643 B2 * 1/2005 Clemmer, Jr. G02B 7/182
362/139
D501,864 S * 2/2005 Greise D16/202
D663,344 S * 7/2012 Yasue D24/138
D784,534 S * 4/2017 Funakoshi D24/138
D784,535 S * 4/2017 Osada D24/138
D785,174 S * 4/2017 Osada D24/138
D827,890 S * 9/2018 Mullani D26/37
D867,590 S * 11/2019 Engler D24/138
D939,084 S * 12/2021 Kawanishi D24/138
D940,862 S * 1/2022 Kawanishi D24/138
D940,863 S * 1/2022 Kawanishi D24/138
D943,097 S * 2/2022 Hayamizu D24/138
D946,801 S * 3/2022 Shen D26/51
2006/0158514 A1 * 7/2006 Moreb H04N 5/77
386/E5.069

* cited by examiner

Primary Examiner — Richard E Chilcot

(74) *Attorney, Agent, or Firm* — Intellectual Property Law Group LLP

(57) **CLAIM**

The ornamental design for forensic camera with multispectral imaging system, as shown and described.

DESCRIPTION

1. Forensic camera with multispectral imaging system

1.1 : Perspective

1.2 : Front

1.3 : Back

1.4 : Top

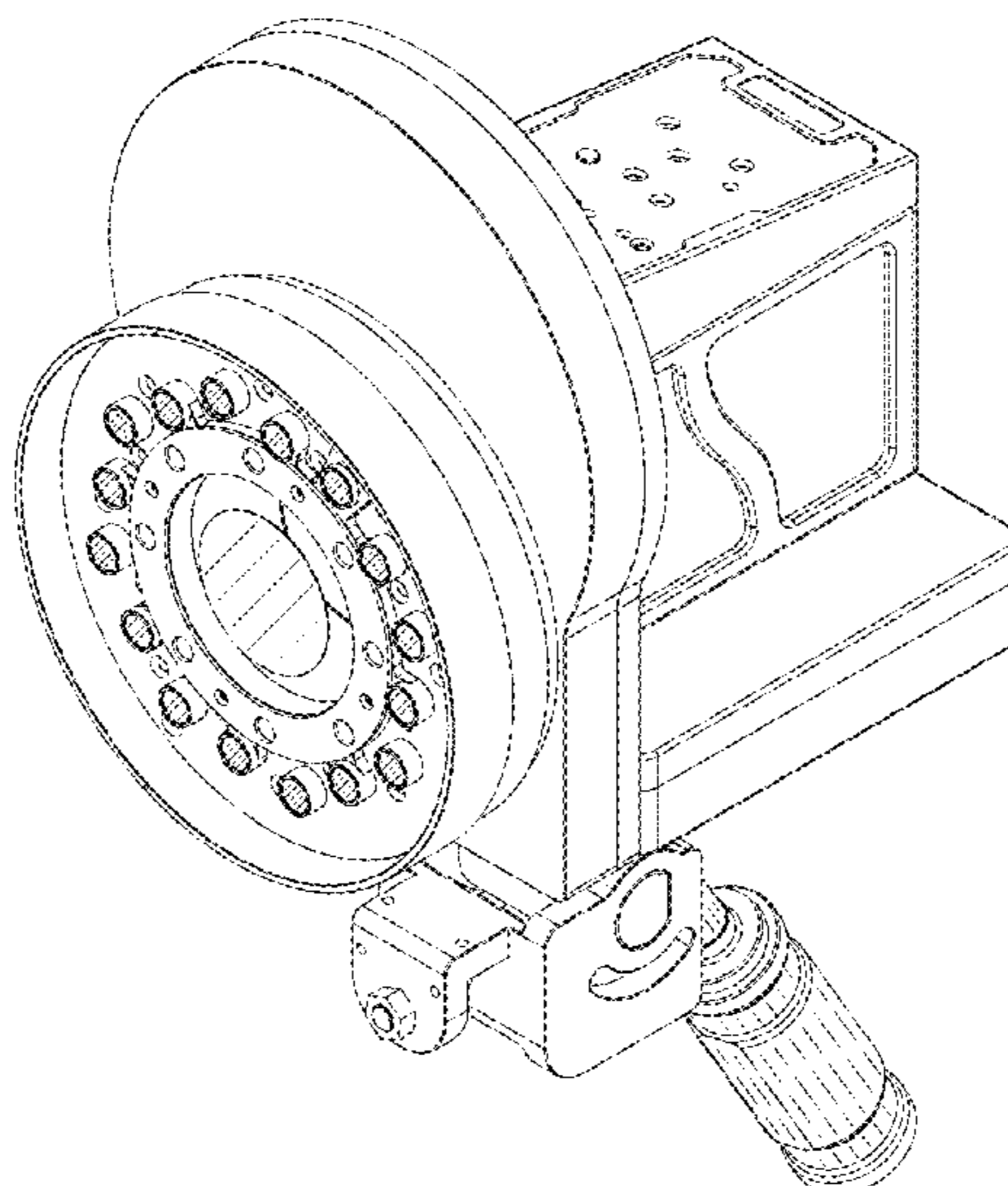
1.5 : Bottom

1.6 : Left

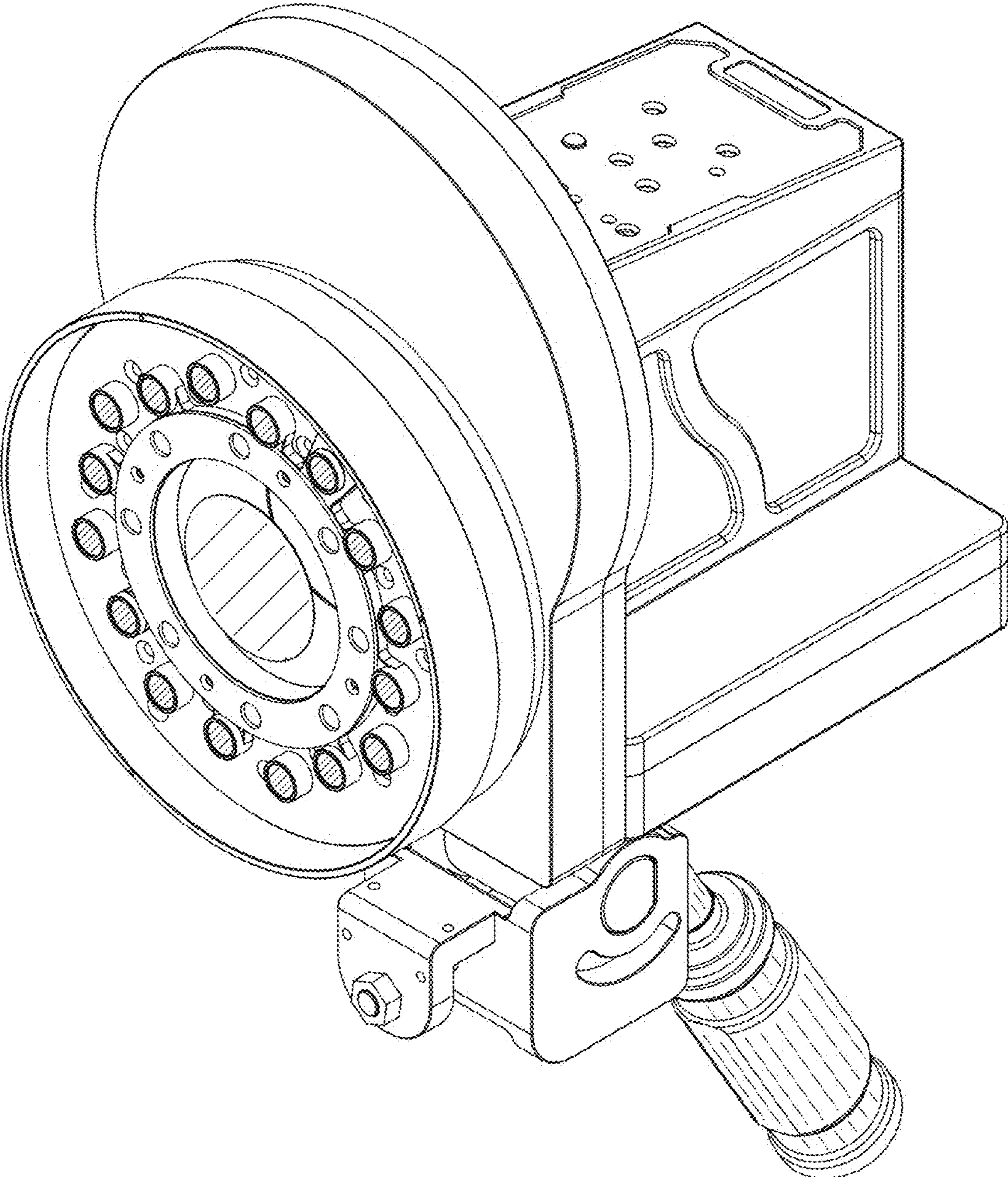
1.7 : Right

Design 1: Polarized UVA—VISIBLE—IR Camera with multispectral light groups used during Sexual Assault Forensic Examination.

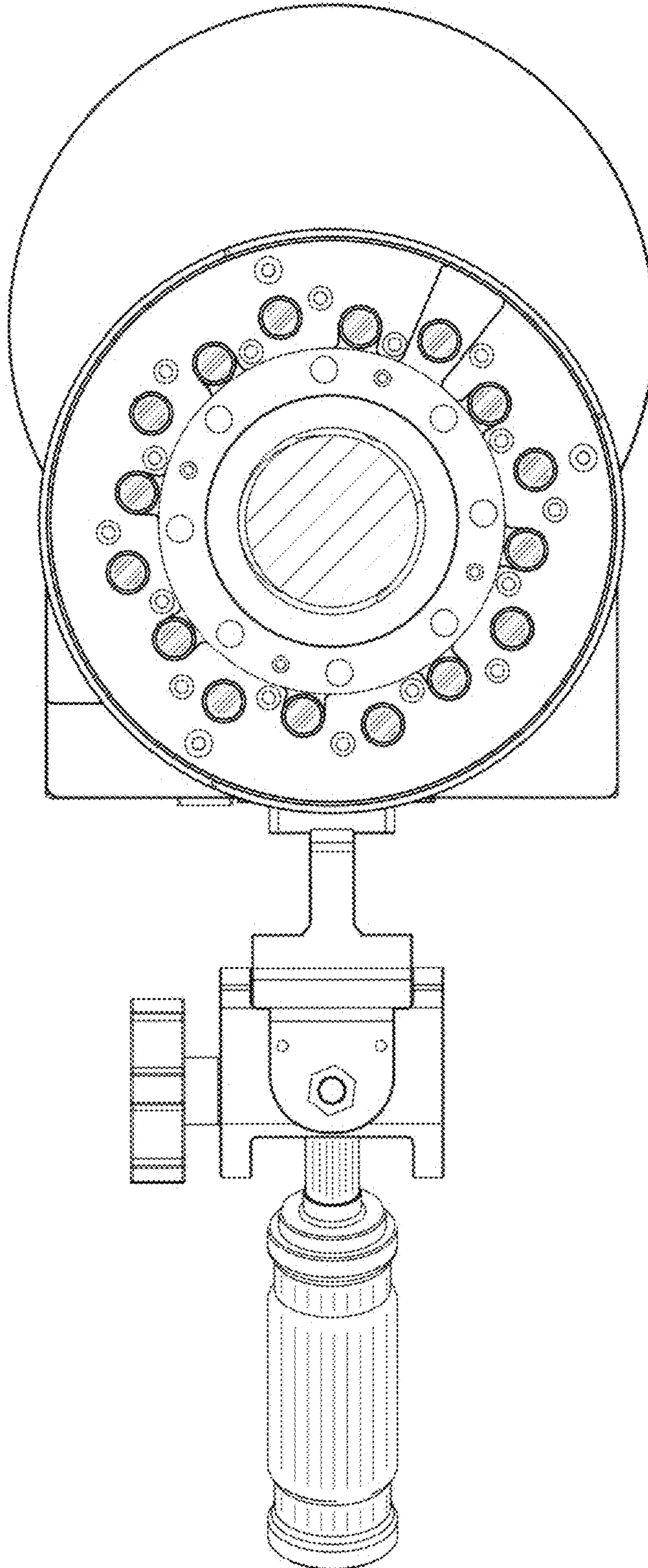
1 Claim, 7 Drawing Sheets



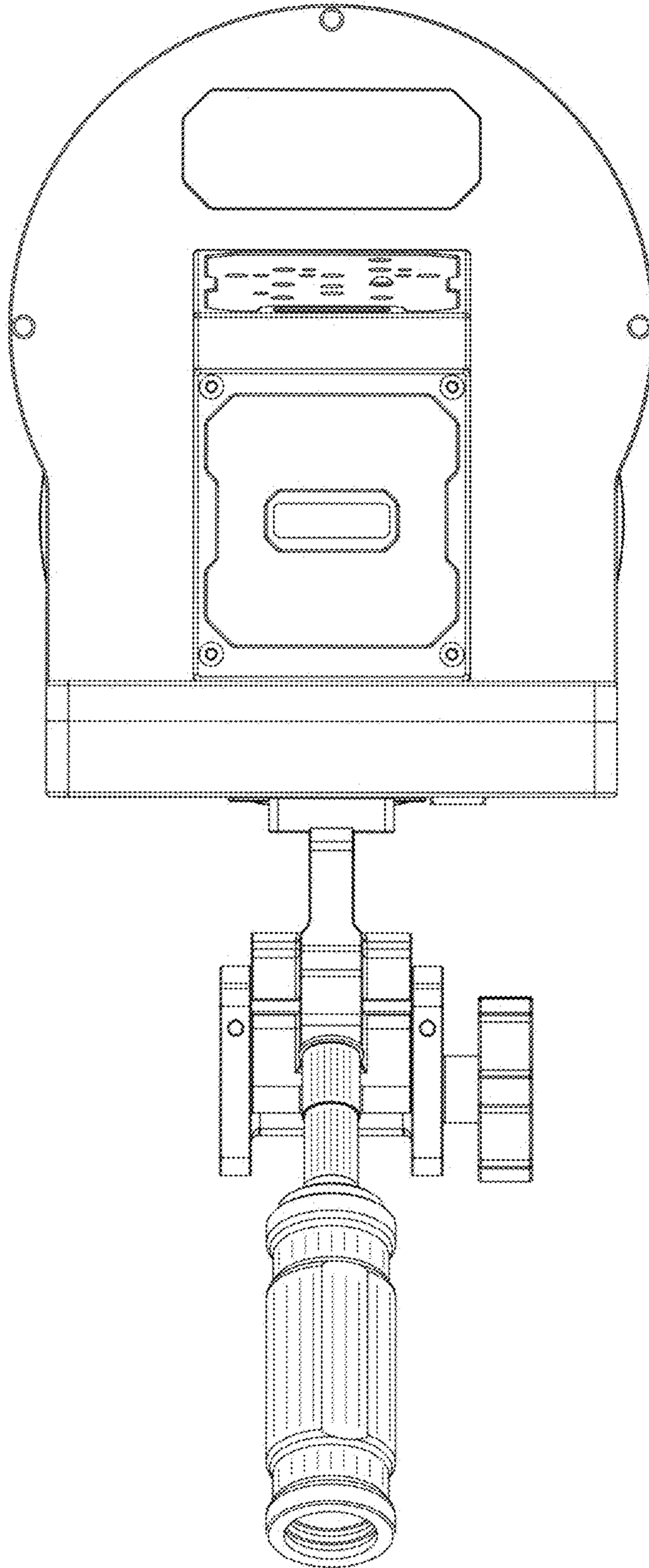
1.1



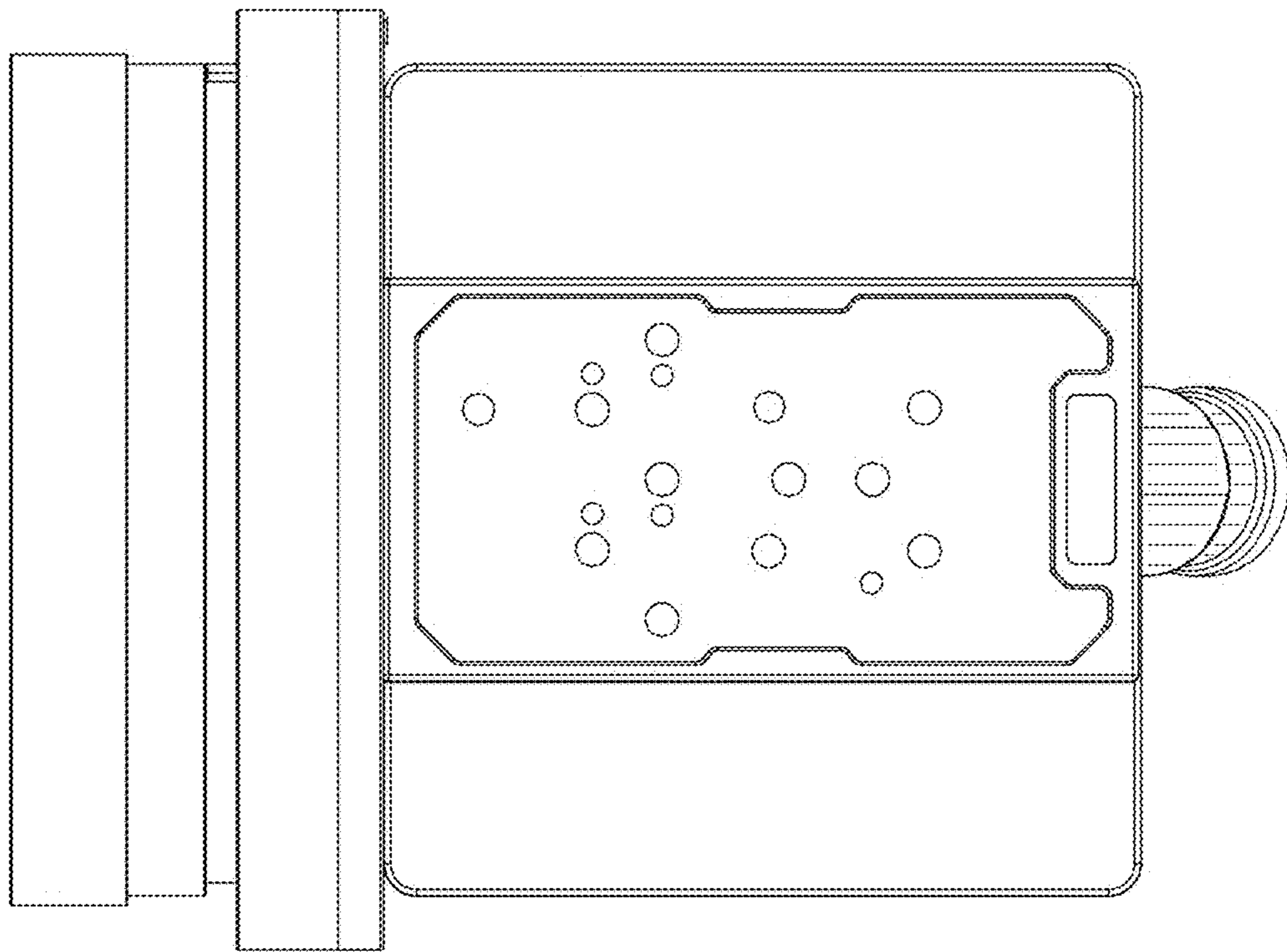
1.2



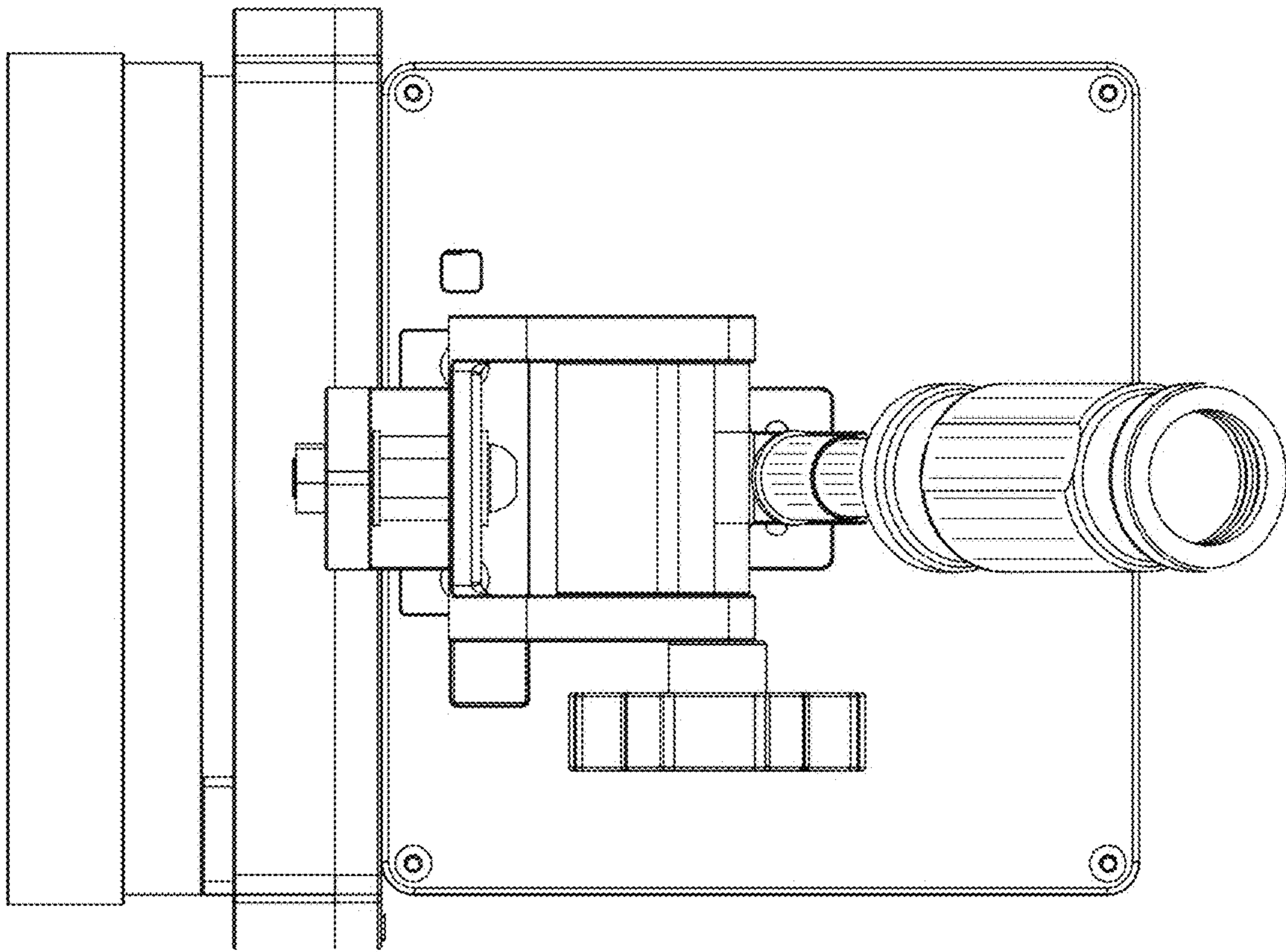
1.3



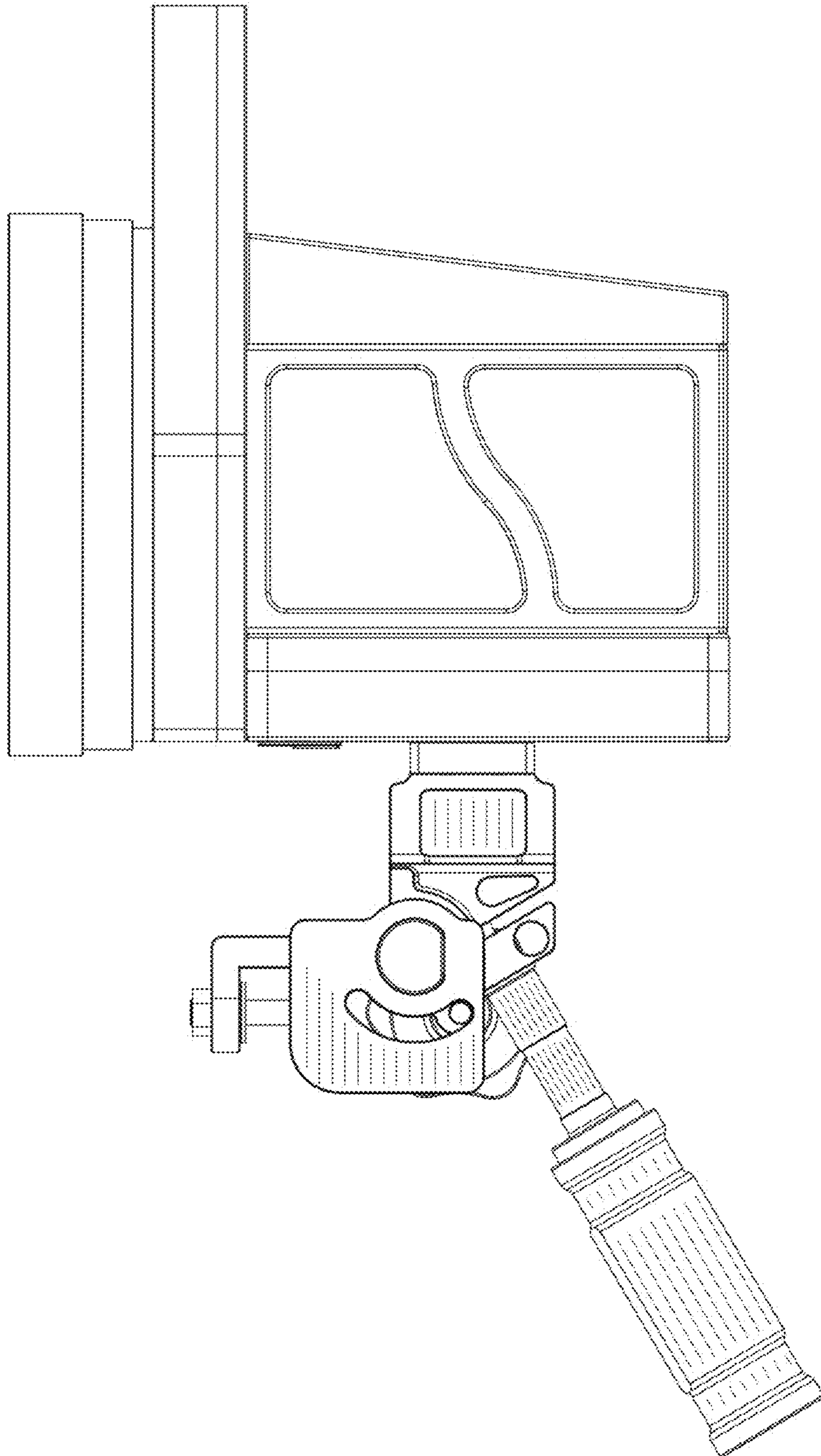
1.4



1.5



1.6



1.7

