

US00D960219S

(12) **United States Design Patent** (10) **Patent No.:** **US D960,219 S**  
**Taniguchi et al.** (45) **Date of Patent:** **\*\* Aug. 9, 2022**

(54) **LENS FOR INFRARED RADIATION SENSOR**

(71) Applicant: **Panasonic Intellectual Property Management Co., Ltd., Osaka (JP)**

(72) Inventors: **Ryo Taniguchi, Osaka (JP); Takahiro Sono, Shiga (JP)**

(73) Assignee: **PANASONIC INTELLECTUAL PROPERTY MANAGEMENT CO., LTD., Osaka (JP)**

(\*\*) Term: **15 Years**

(21) Appl. No.: **29/736,533**

(22) Filed: **Jun. 1, 2020**

(30) **Foreign Application Priority Data**

Dec. 17, 2019 (JP) ..... 2019-027961

(51) **LOC (13) Cl.** ..... **16-06**

(52) **U.S. Cl.**  
USPC ..... **D16/134**

(58) **Field of Classification Search**  
USPC ..... D16/130, 131, 134, 135, 136, 245, 219;  
D13/136, 137.1, 138.2  
CPC ..... E06B 9/24; G03B 17/02; C03B 2215/46;  
G02B 2003/0093; G02B 3/04  
See application file for complete search history.

(56) **References Cited**

**U.S. PATENT DOCUMENTS**

- 1,137,444 A \* 4/1915 Adams ..... G02B 5/005  
359/739
- D631,075 S \* 1/2011 Liu ..... D16/134
- D631,076 S \* 1/2011 Liu ..... D16/134
- D636,336 S \* 4/2011 Clark ..... D13/137.2
- D650,406 S \* 12/2011 Lai ..... D16/134
- D660,896 S \* 5/2012 Wong ..... D16/134
- D723,212 S \* 2/2015 Hsu ..... D26/124
- D813,286 S \* 3/2018 Sedazzari ..... D16/134

- D824,350 S \* 7/2018 Kim ..... D14/125
- D830,440 S \* 10/2018 Mathieu ..... D16/134
- D837,859 S \* 1/2019 Kameda ..... D16/134
- D873,879 S \* 1/2020 Tawaratsumida ..... D16/134
- D899,373 S \* 10/2020 Xu ..... D13/138.1
- D948,436 S \* 4/2022 Peng ..... D13/110

**FOREIGN PATENT DOCUMENTS**

JP D1595022 1/2018

**OTHER PUBLICATIONS**

Lens Part EKMC7607111K, <https://www.digikey.com/en/products/detail/panasonic-electric-works/EKMC7607111K/10222332>, retrieved May 10, 2022 (Year: 2022).\*

\* cited by examiner

*Primary Examiner* — Richard Kearney  
*Assistant Examiner* — Benjamin M Weeks

(74) *Attorney, Agent, or Firm* — Crowell & Moring LLP

(57) **CLAIM**

We claim the ornamental design for a lens for an infrared radiation sensor, as shown and described.

**DESCRIPTION**

FIG. 1 is a perspective view of a lens for an infrared radiation sensor according to the invention;  
FIG. 2 is a top view thereof;  
FIG. 3 is a bottom view thereof;  
FIG. 4 is a left side view thereof;  
FIG. 5 is a right side view thereof;  
FIG. 6 is a top plan view thereof;  
FIG. 7 is a bottom view thereof; and,  
FIG. 8 is a cross-sectional view thereof taken along line 8-8 of FIG. 3.  
The broken line showing across various surfaces in FIG. 8 is included for the purpose of depicting cross section and form no part of the claimed design.

**1 Claim, 8 Drawing Sheets**

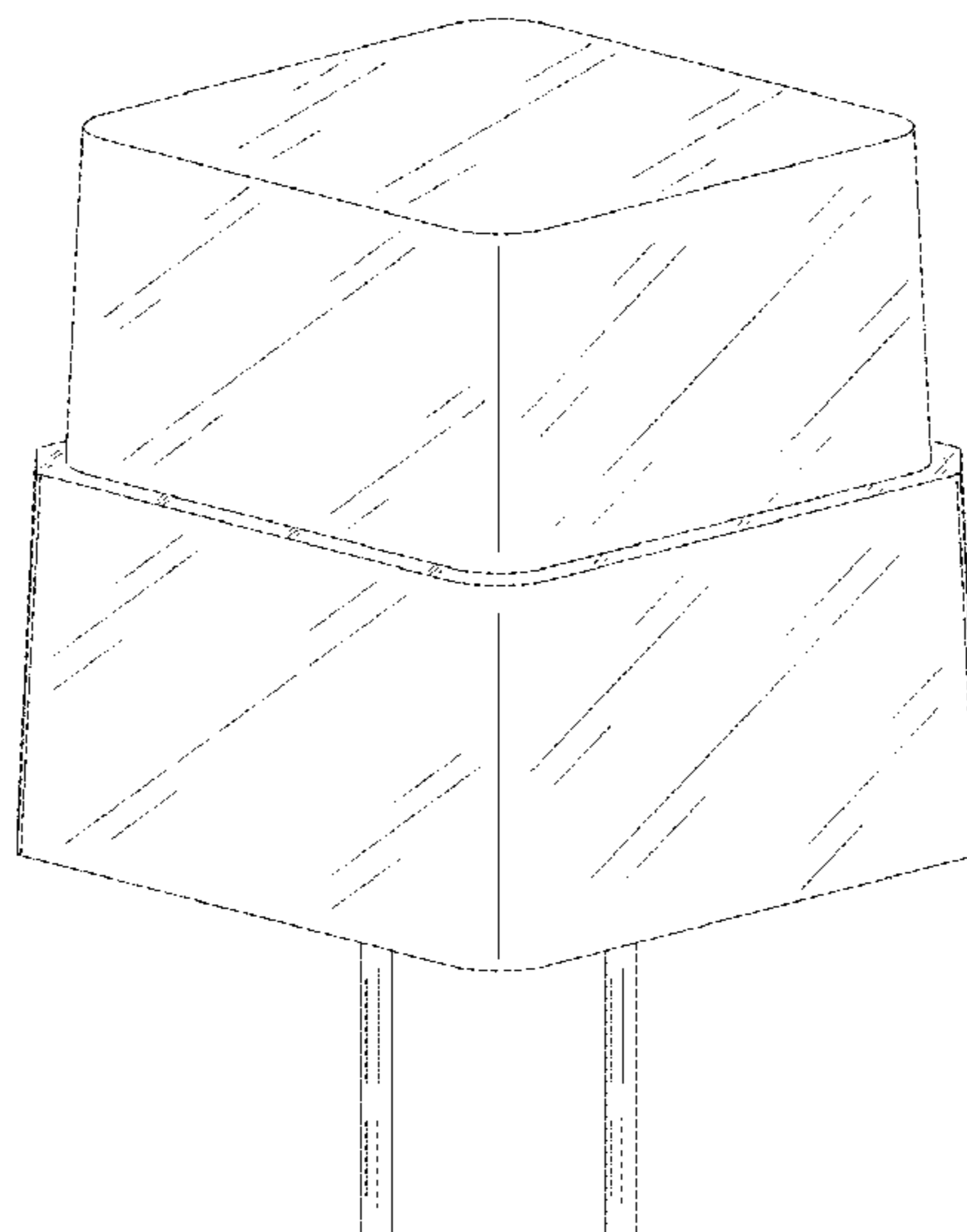


FIG. 1

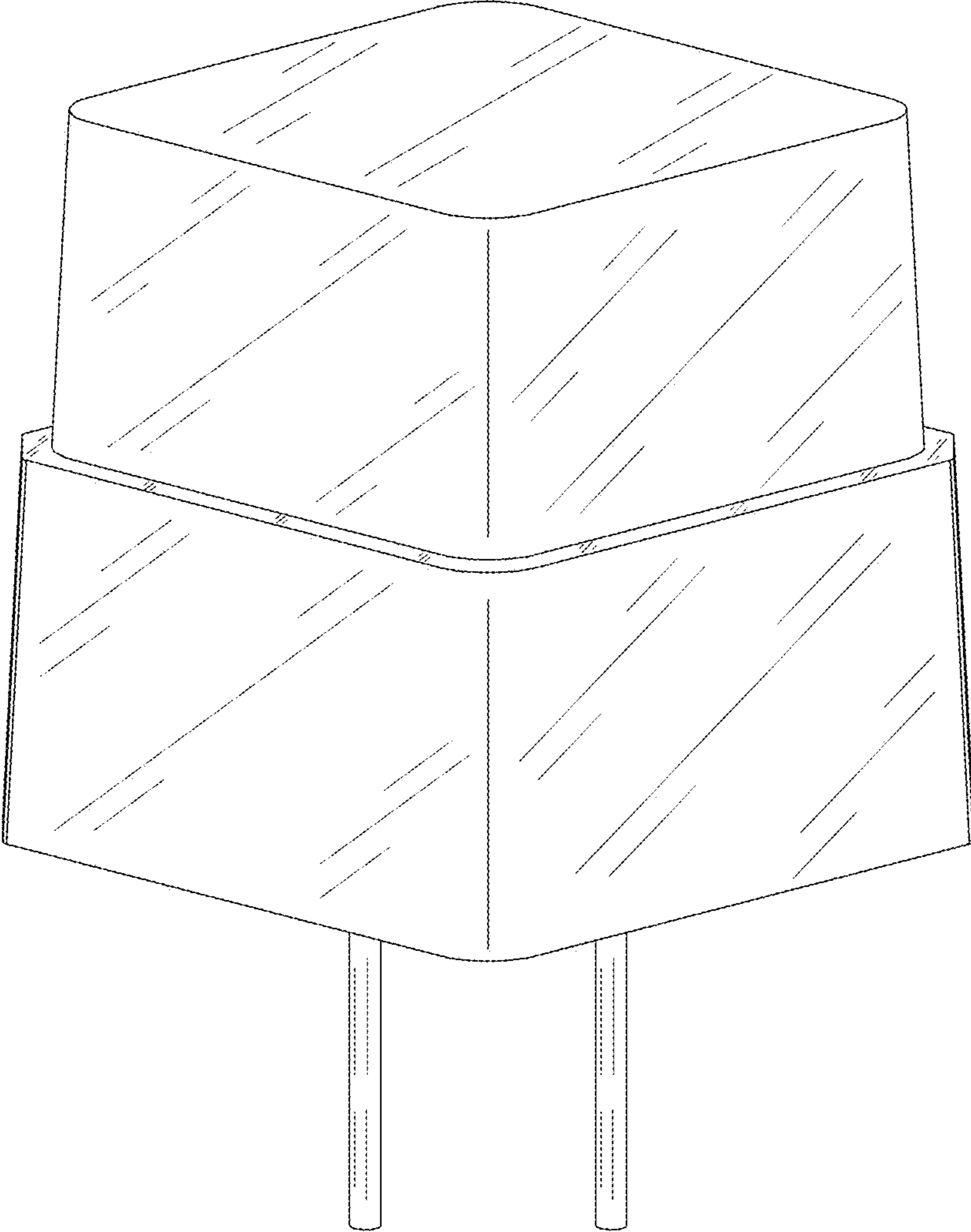


FIG. 2

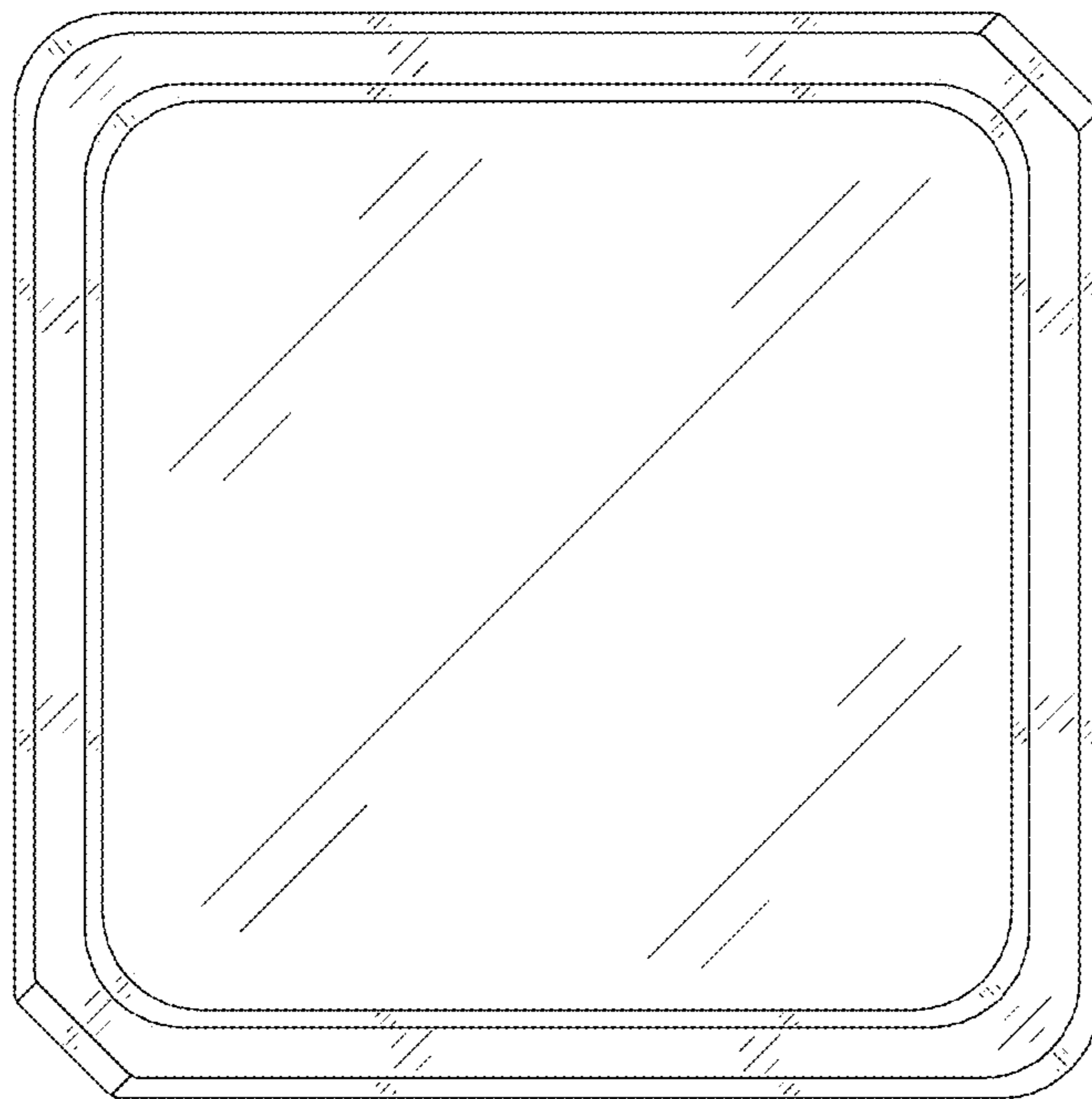


FIG. 3

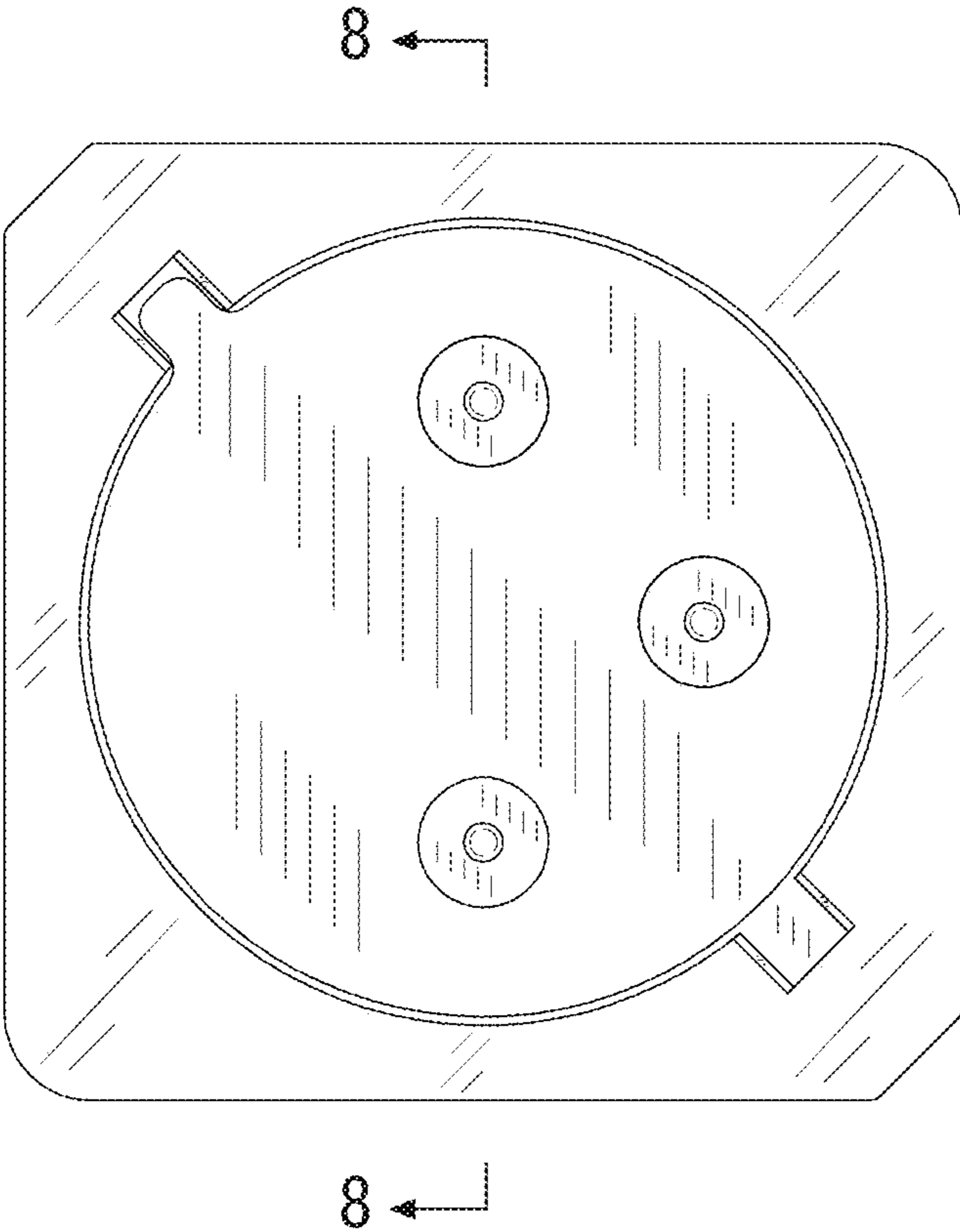


FIG. 4

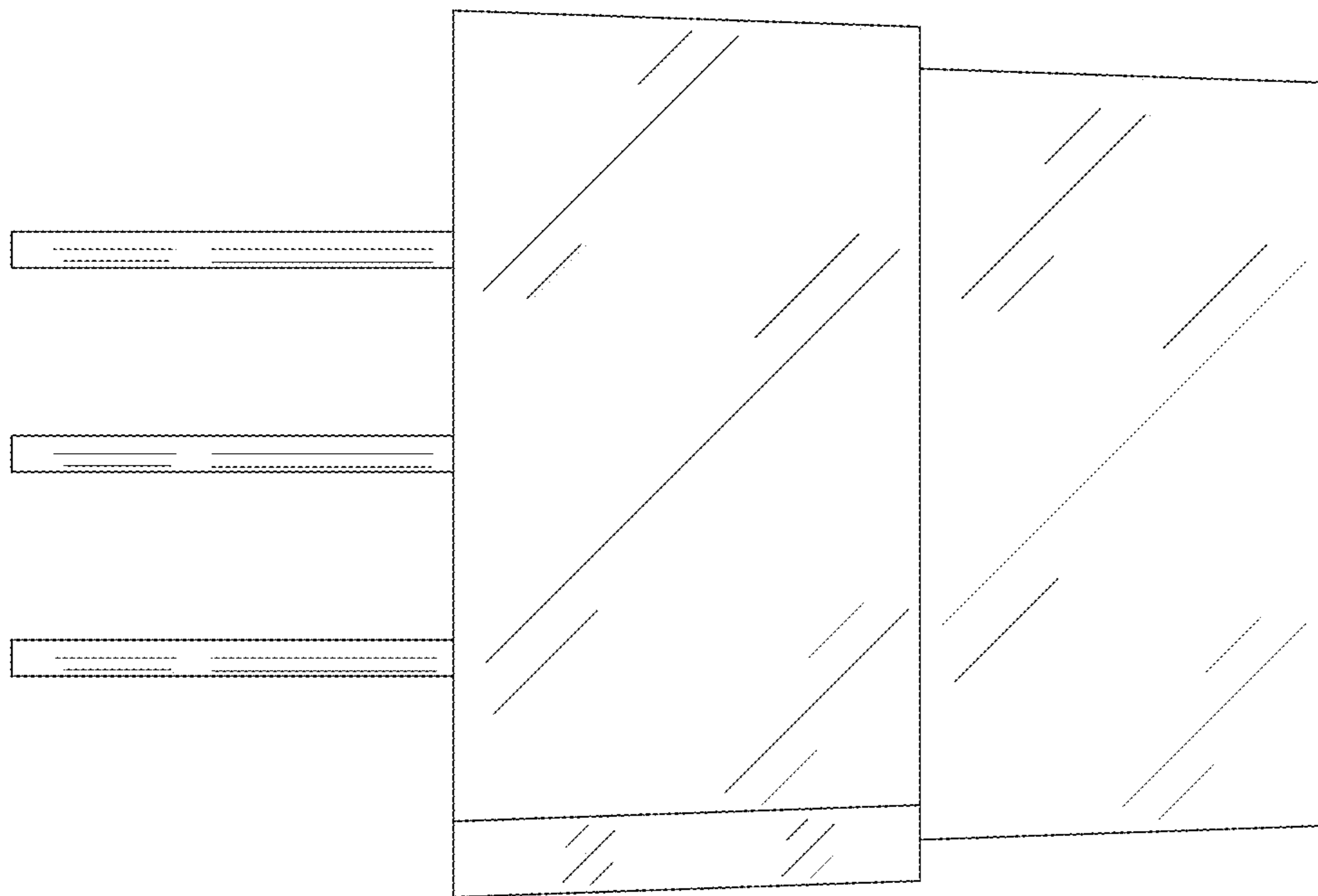


FIG. 5

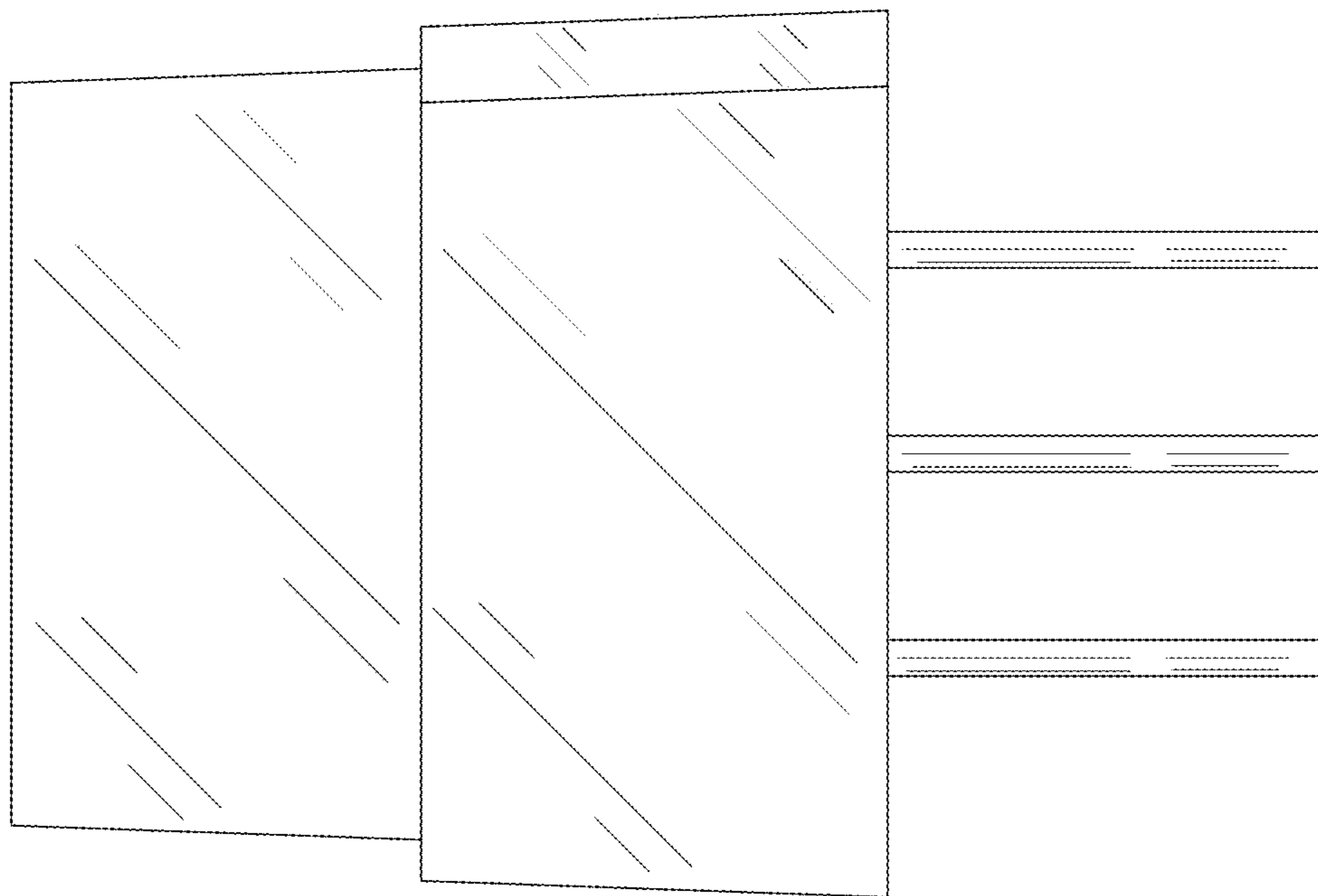


FIG. 6

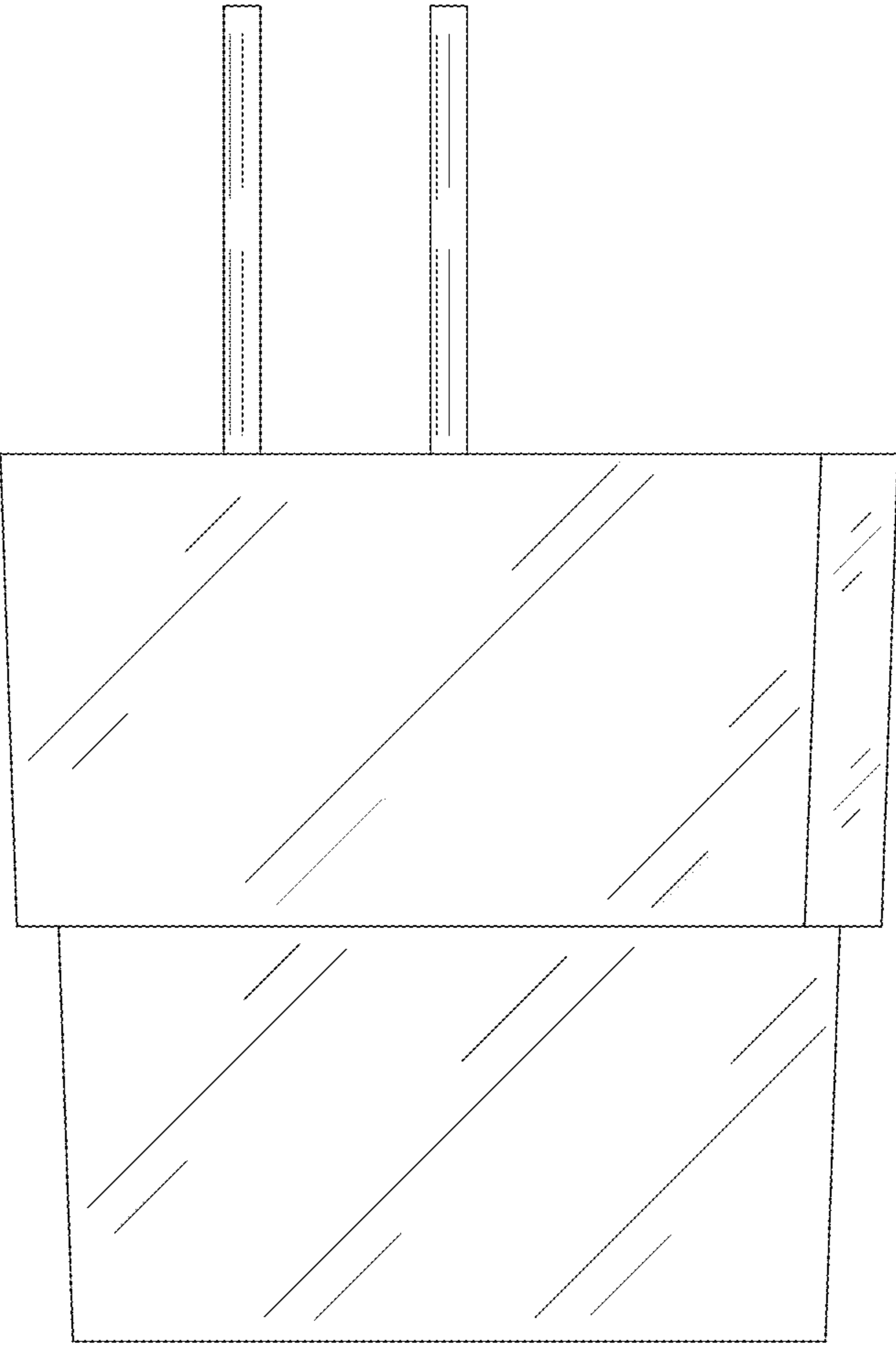


FIG. 7

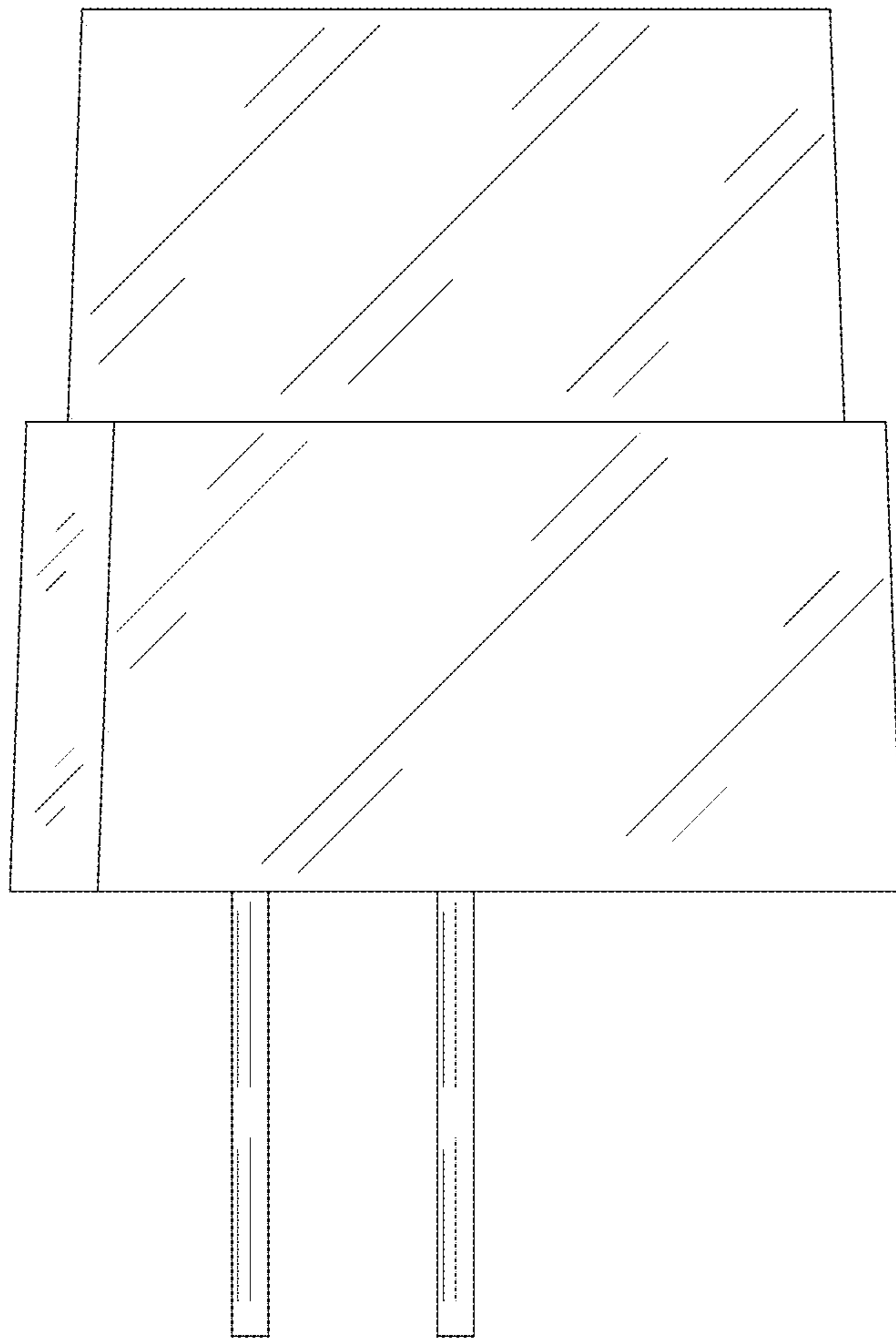




FIG. 8

