



US00D960217S

(12) **United States Design Patent**  
**Huang**

(10) **Patent No.:** **US D960,217 S**

(45) **Date of Patent:** **\*\* Aug. 9, 2022**

(54) **WATCH WINDER**

8,714,813 B2 \* 5/2014 Liao ..... H02J 50/10  
368/206

(71) Applicant: **Yuemi Huang**, Shenzhen (CN)

D707,118 S \* 6/2014 Au ..... D9/420

D719,991 S \* 12/2014 Ko ..... D15/199

(72) Inventor: **Yuemi Huang**, Shenzhen (CN)

D781,944 S \* 3/2017 Lee ..... D15/199

D886,879 S \* 6/2020 Liu ..... D15/199

(\*\*) Term: **15 Years**

D886,880 S \* 6/2020 Liu ..... D15/199

D905,144 S \* 12/2020 Liang ..... D15/199

D905,773 S \* 12/2020 Liang ..... D15/199

(21) Appl. No.: **29/769,402**

2005/0254352 A1 \* 11/2005 Wolf, V ..... G04D 7/009  
368/206

(22) Filed: **Feb. 5, 2021**

\* cited by examiner

(51) **LOC (13) Cl.** ..... **15-99**

*Primary Examiner* — Patricia A Palasik

(52) **U.S. Cl.**

(74) *Attorney, Agent, or Firm* — Westbridge IP LLC

USPC ..... **D15/199**

(58) **Field of Classification Search**

(57) **CLAIM**

USPC ..... D3/273–294, 298; D9/414, 418, 420,  
D9/421, 423, 431–432; D15/199

The ornamental design for a watch winder, as shown and described.

CPC ... G04B 5/00; G04B 5/04; G04D 7/00; G04D  
7/009

See application file for complete search history.

**DESCRIPTION**

(56) **References Cited**

FIG. 1 is a front perspective view of a watch winder;

**U.S. PATENT DOCUMENTS**

FIG. 2 is a rear perspective view thereof;

D507,709 S \* 7/2005 Au ..... D9/418

FIG. 3 is a front elevational view thereof;

D510,210 S \* 10/2005 Au ..... D3/294

FIG. 4 is a rear elevational view thereof;

D514,848 S \* 2/2006 Au ..... D3/294

FIG. 5 is a left side elevational view thereof;

D520,540 S \* 5/2006 Siu ..... D15/199

FIG. 6 is a right-side elevational view thereof;

7,530,733 B2 \* 5/2009 Louie ..... G04D 7/009

FIG. 7 is a top plan view thereof; and,

7,575,367 B2 \* 8/2009 Wolf, V ..... G04B 3/006

FIG. 8 is a bottom plan view thereof.

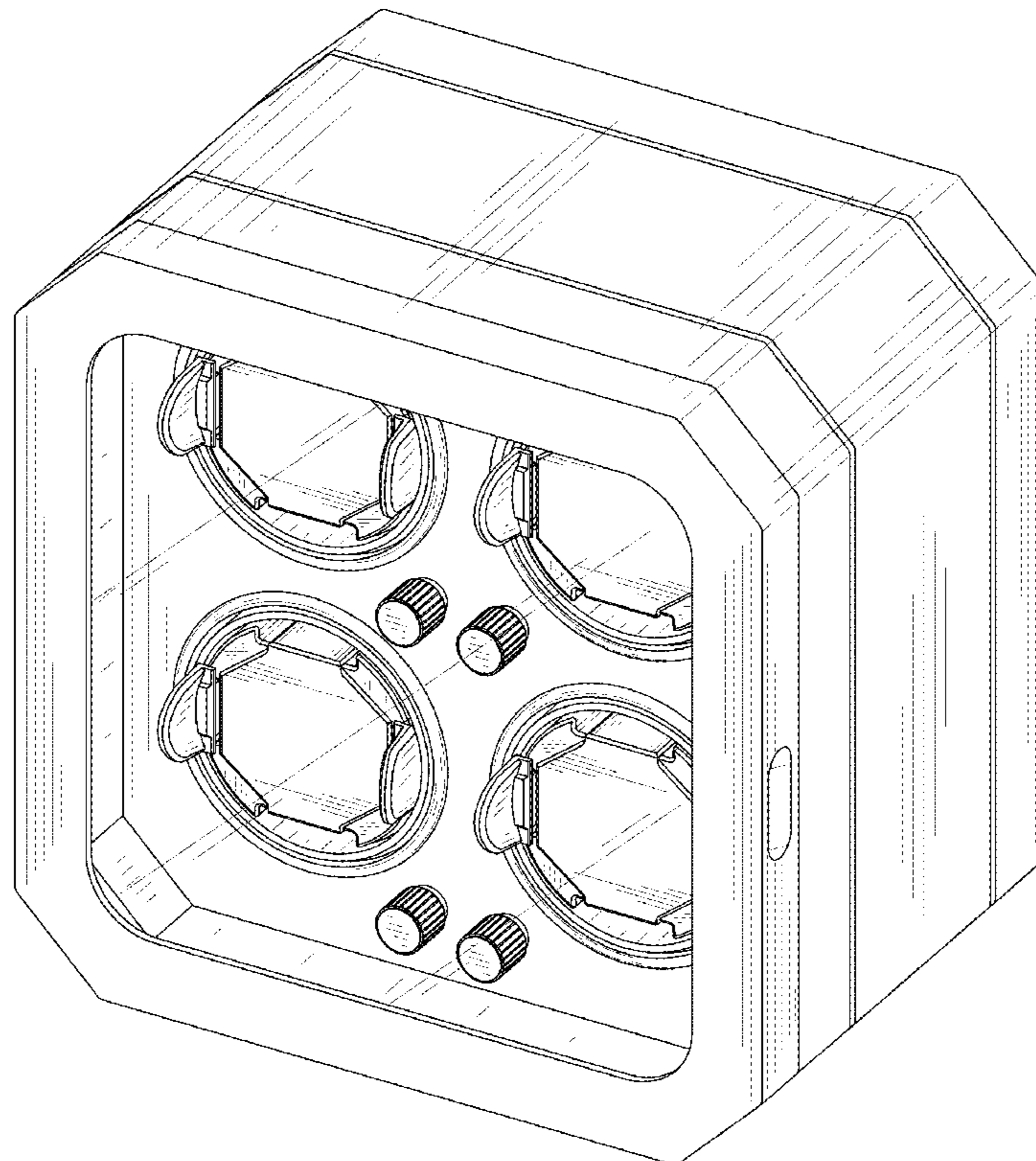
368/206

The broken lines in the drawings illustrate the portions of the watch winder which form no part of the claimed design.

7,927,009 B2 \* 4/2011 Huang ..... G04D 7/009

368/206

**1 Claim, 8 Drawing Sheets**



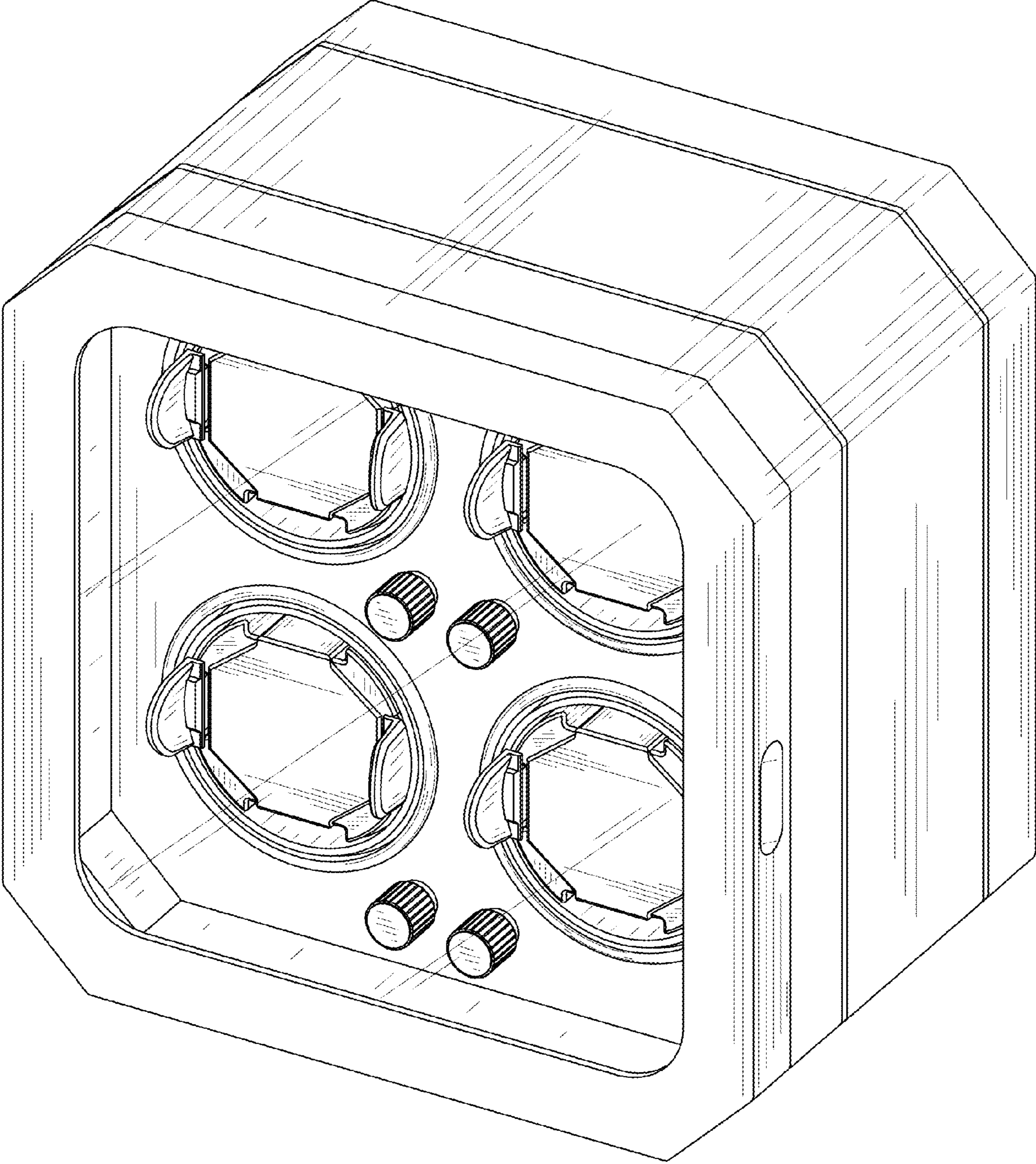


FIG. 1

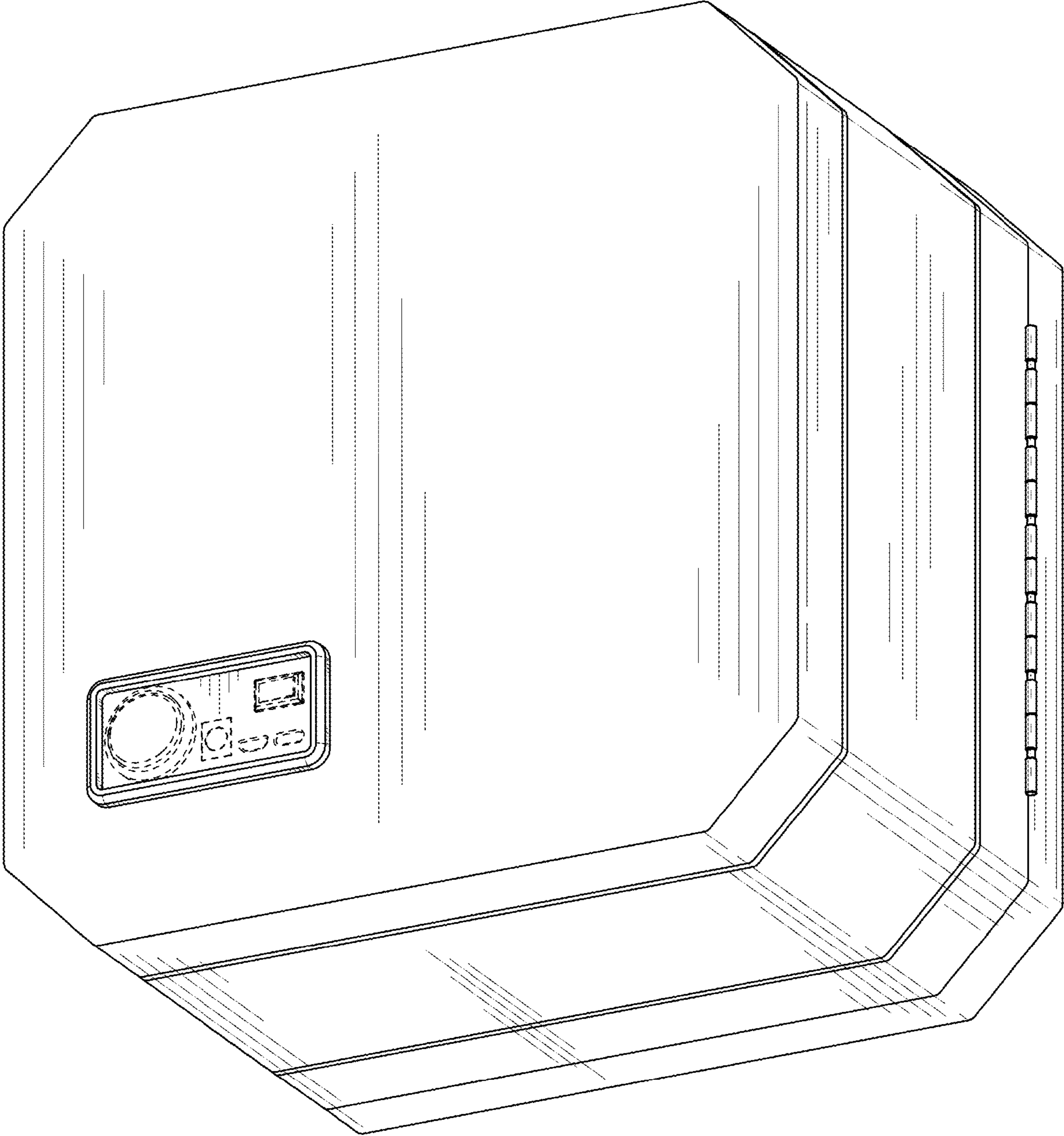


FIG. 2

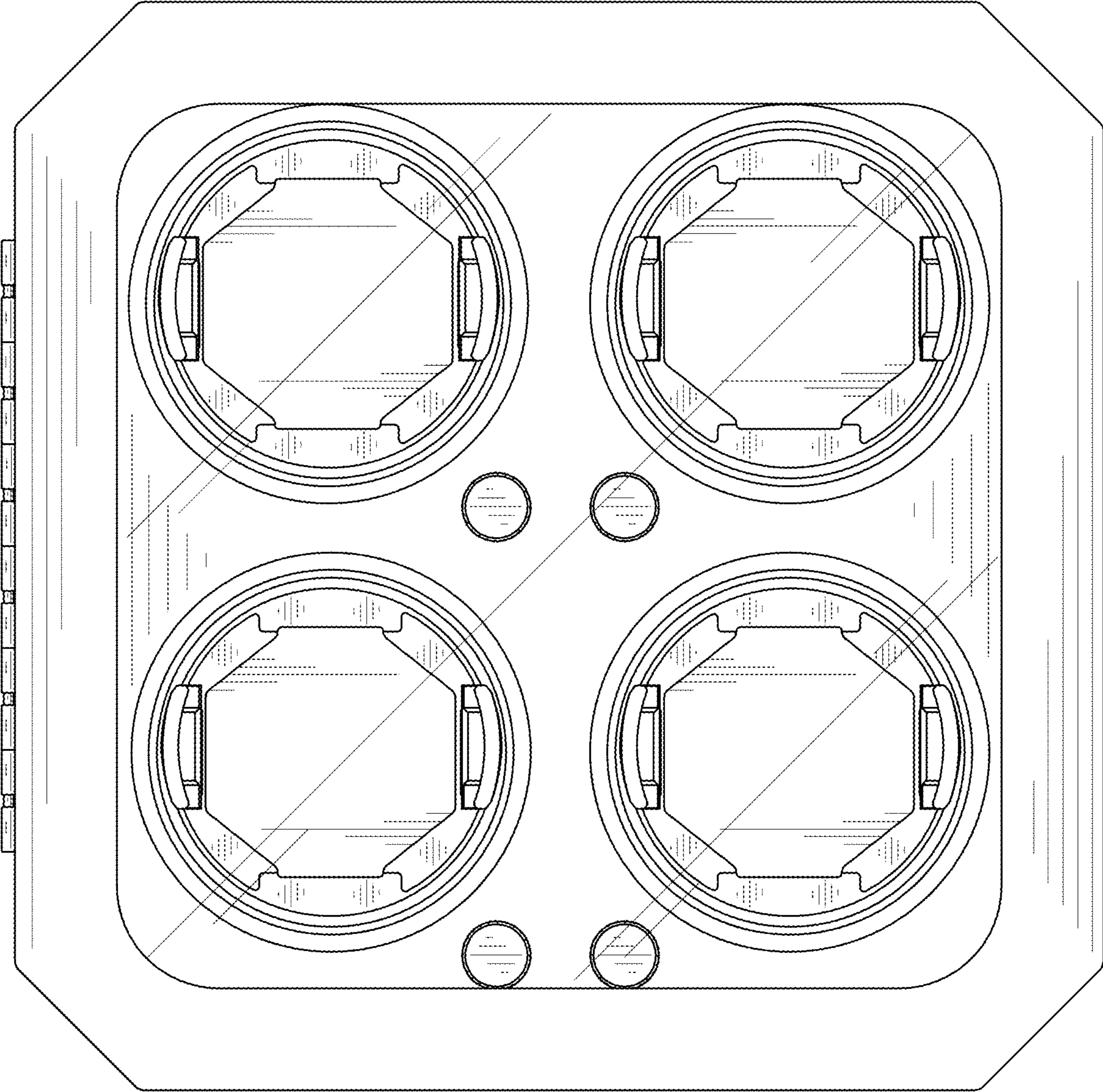


FIG. 3

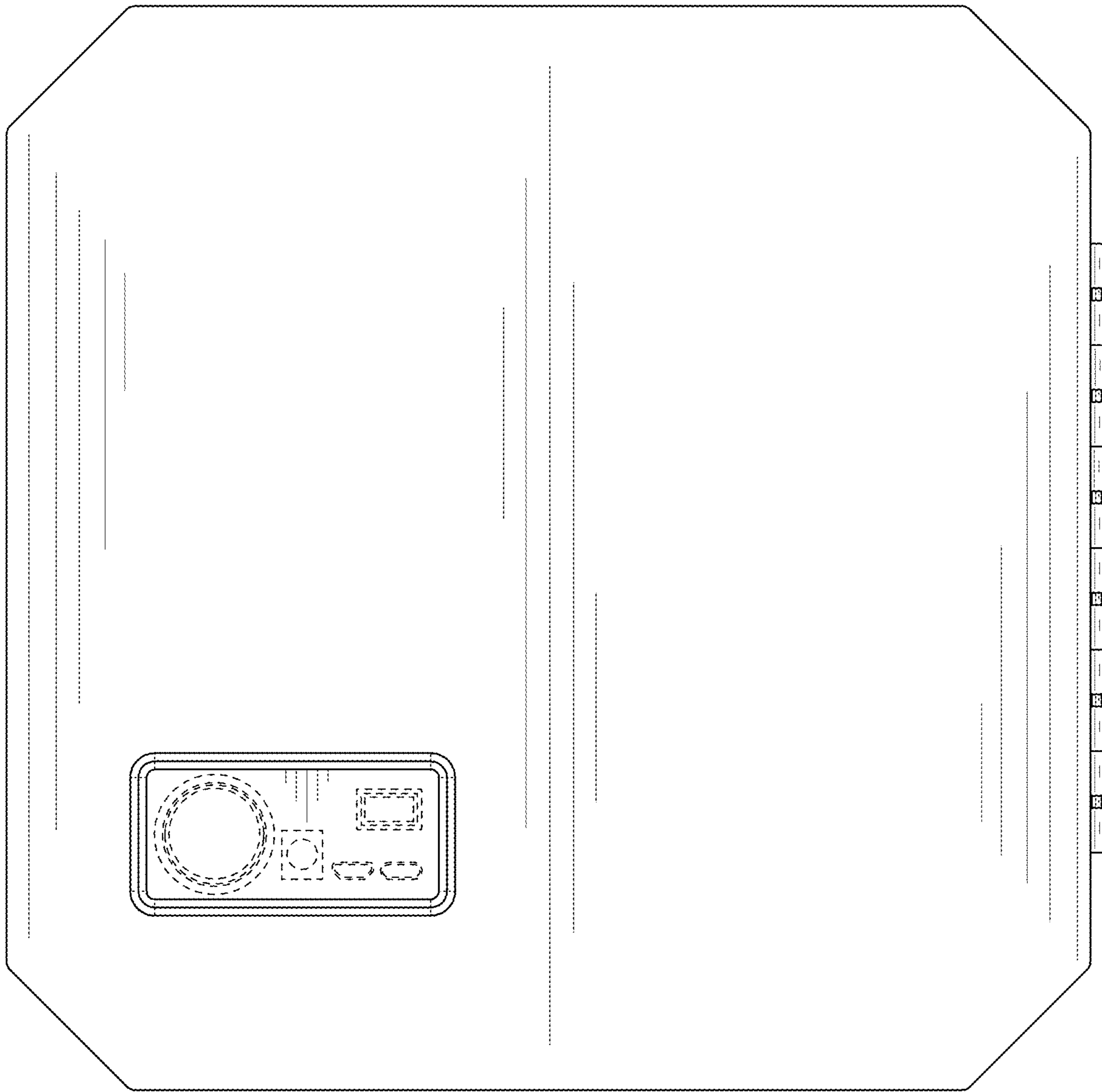


FIG. 4

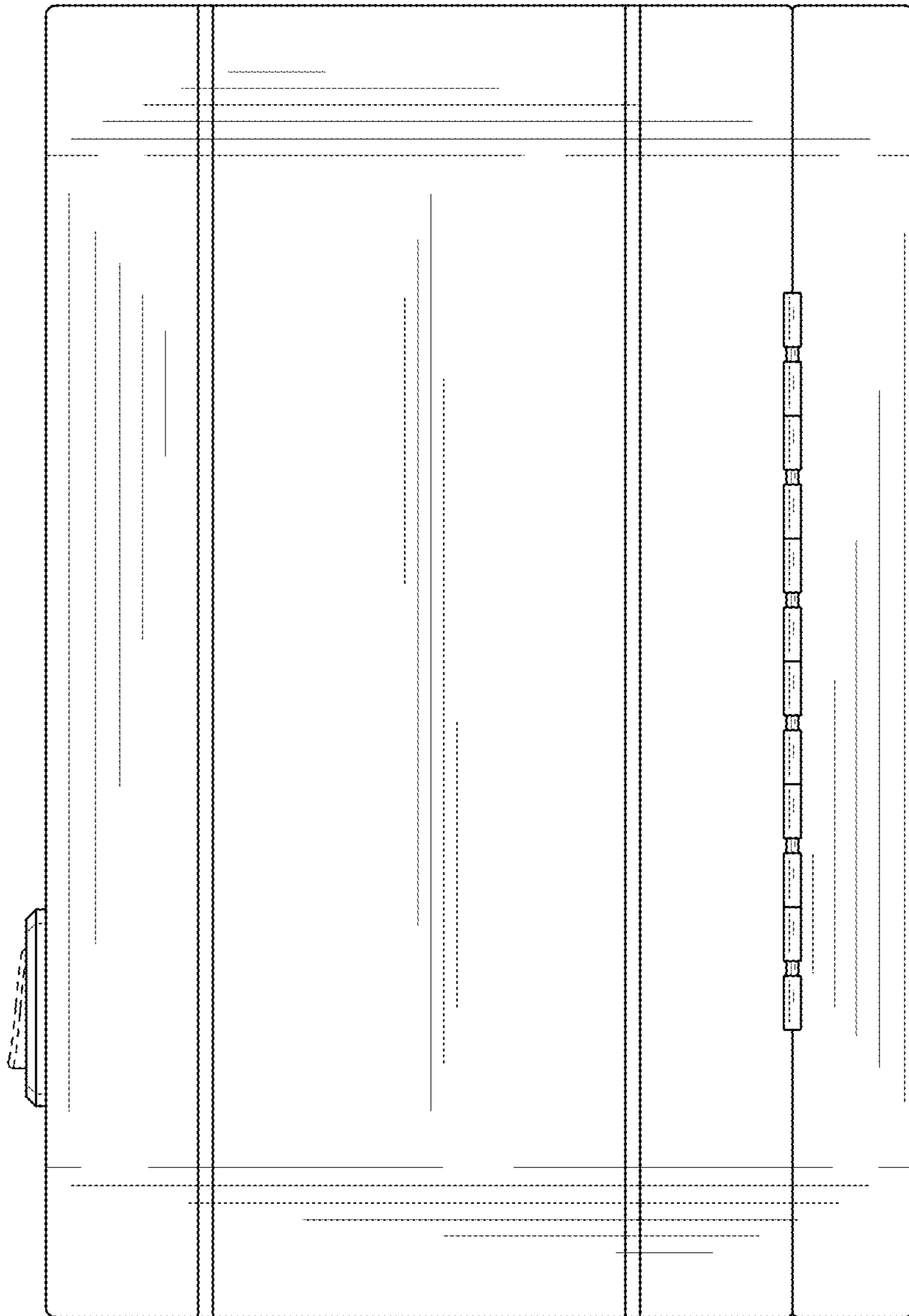


FIG. 5

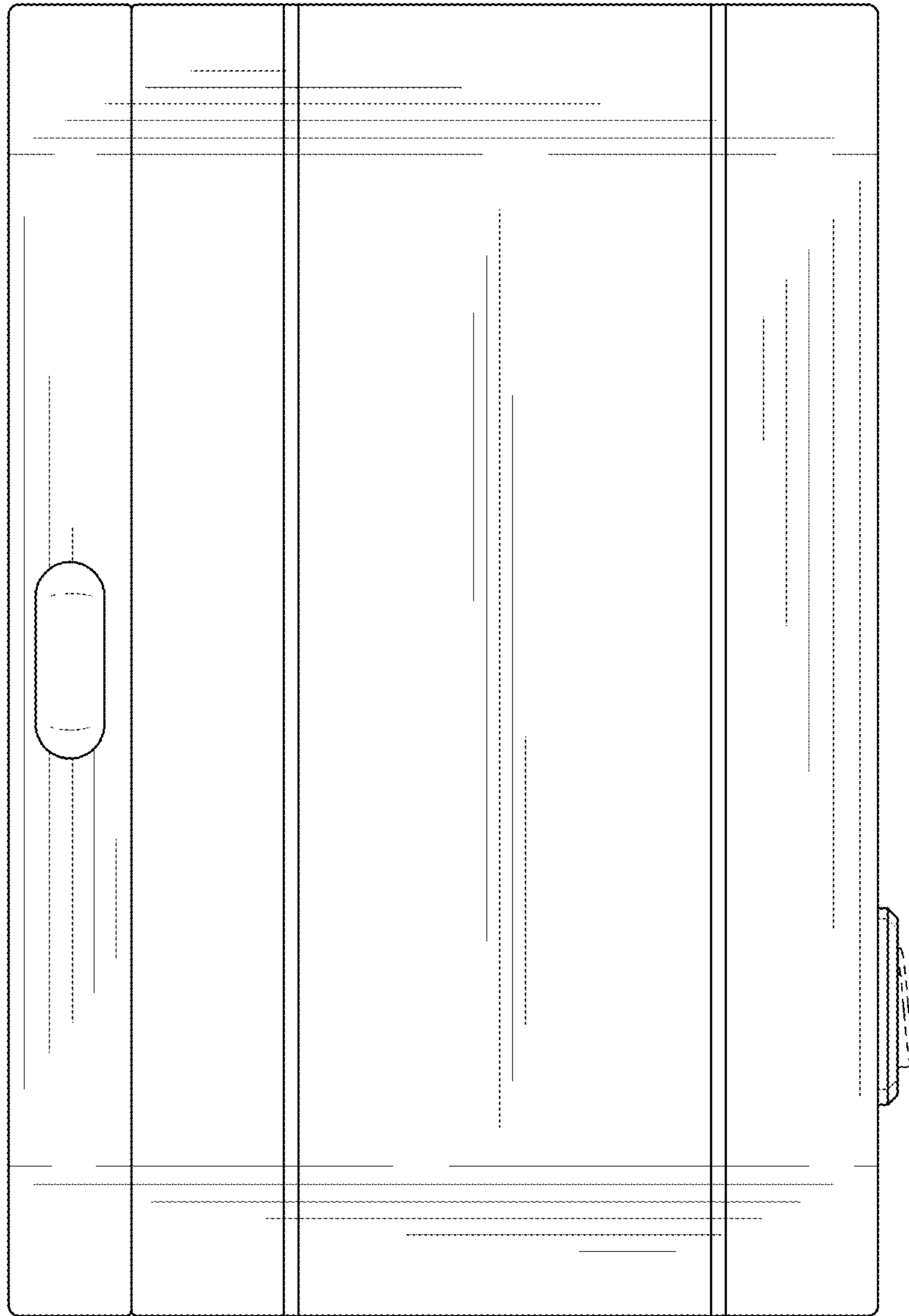


FIG. 6

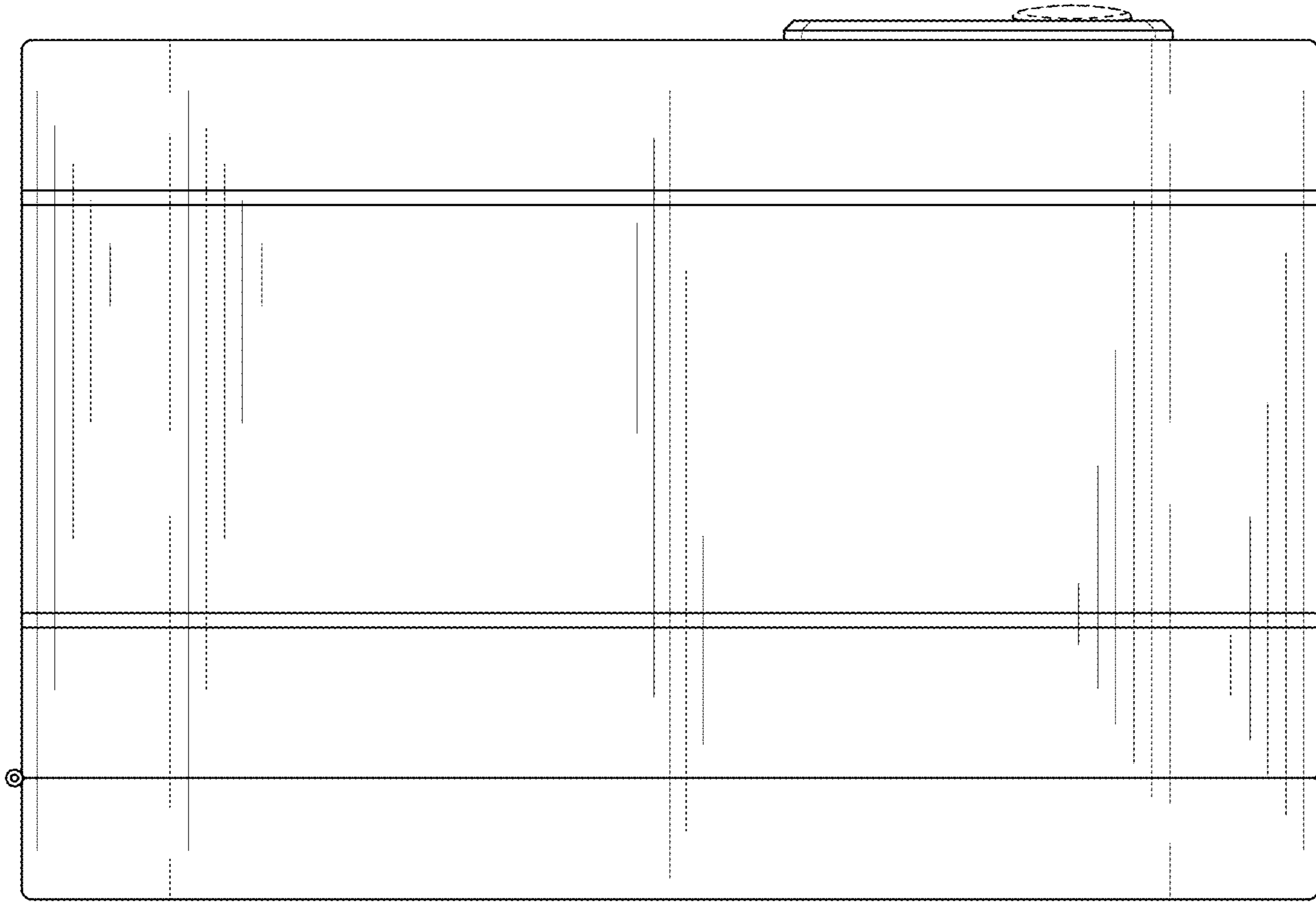


FIG. 7



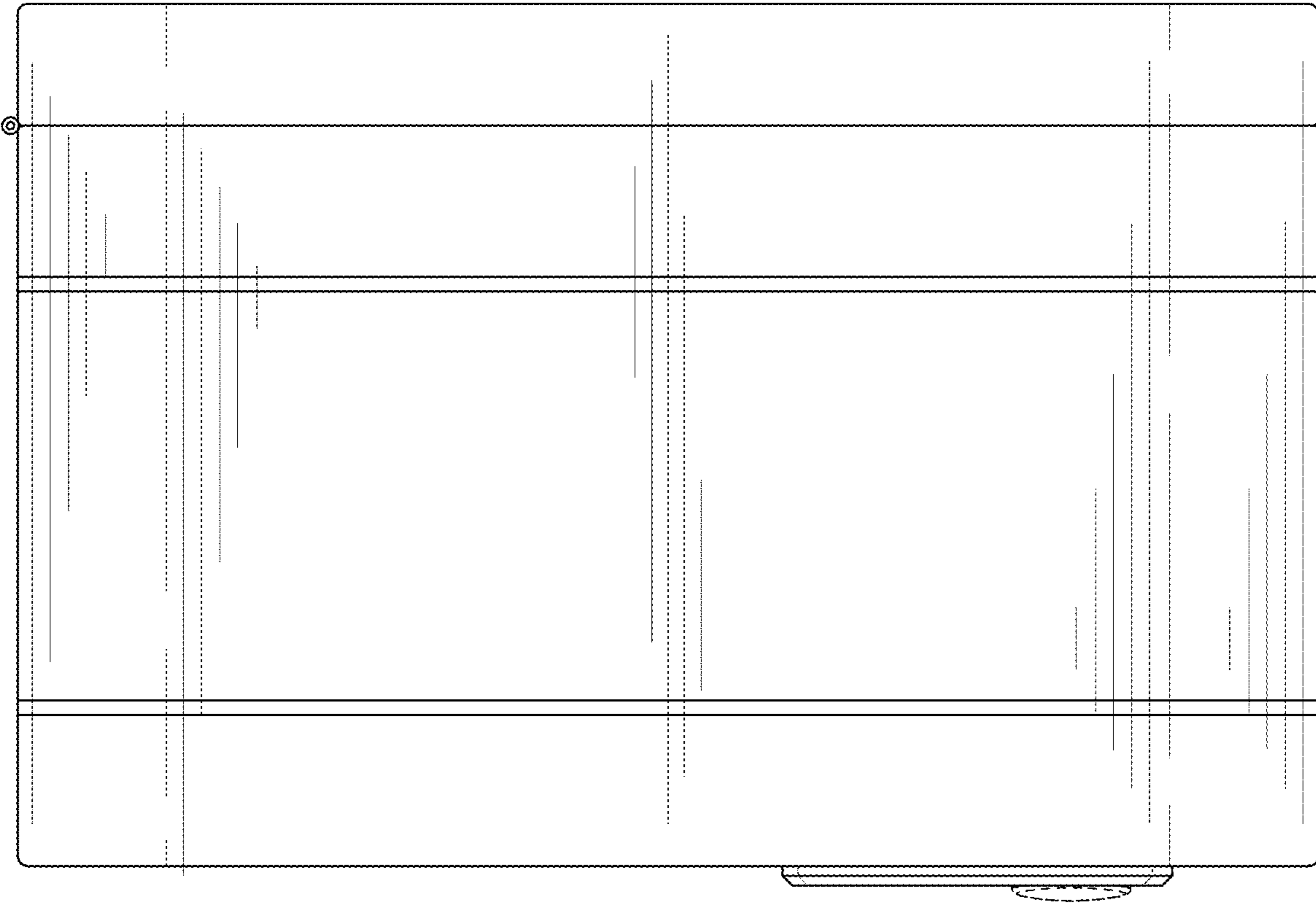


FIG. 8