



US00D960216S

(12) **United States Design Patent**  
**Rao et al.**

(10) **Patent No.:** **US D960,216 S**

(45) **Date of Patent:** **\*\* Aug. 9, 2022**

(54) **BASE PLATE FOR A PROCESSING CHAMBER SUBSTRATE SUPPORT**

(71) Applicant: **Applied Materials, Inc.**, Santa Clara, CA (US)

(72) Inventors: **Shreesha Yogish Rao**, Milpitas, CA (US); **Mukund Sundararajan**, Bangalore (IN); **Cheng-Hsiung Matthew Tsai**, Cupertino, CA (US); **Manjunatha P. Koppa**, Bengaluru (IN); **Steven V. Sansoni**, Livermore, CA (US)

(73) Assignee: **APPLIED MATERIALS, INC.**, Santa Clara, CA (US)

(\*\*) Term: **15 Years**

(21) Appl. No.: **29/830,409**

(22) Filed: **Mar. 11, 2022**

**Related U.S. Application Data**

(62) Division of application No. 29/759,527, filed on Nov. 23, 2020, now Pat. No. Des. 947,914.

(51) **LOC (13) Cl.** ..... **15-09**

(52) **U.S. Cl.**  
USPC ..... **D15/144.1**; D13/182

(58) **Field of Classification Search**  
USPC ..... D23/249, 259, 262, 269; D15/138, 139, D15/143, 144, 144.1, 144.2, 150, 199;  
(Continued)

(56) **References Cited**

**U.S. PATENT DOCUMENTS**

D375,961 S \* 11/1996 Kotlarek ..... D15/7  
6,046,885 A \* 4/2000 Aimonetti ..... G11B 5/4833  
360/244.6

(Continued)

**FOREIGN PATENT DOCUMENTS**

TW D159673 11/2012  
TW D183006 2/2016

(Continued)

**OTHER PUBLICATIONS**

Search Report for Taiwan Design Application No. 109306844, dated May 30, 2021.

(Continued)

*Primary Examiner* — Calvin E Vansant

*Assistant Examiner* — Mark T. Philipps

(74) *Attorney, Agent, or Firm* — Moser Taboada

(57) **CLAIM**

The ornamental design for a base plate for a processing chamber substrate support, as shown and described.

**DESCRIPTION**

FIG. 1 is a top isometric view of a base plate for a processing chamber substrate support, according to the novel design.

FIG. 2 is a bottom isometric view thereof.

FIG. 3 is a top plan view thereof.

FIG. 4 is a bottom plan view thereof.

FIG. 5 is a front elevation view thereof.

FIG. 6 is a back elevation view thereof.

FIG. 7 is a left side elevation view thereof.

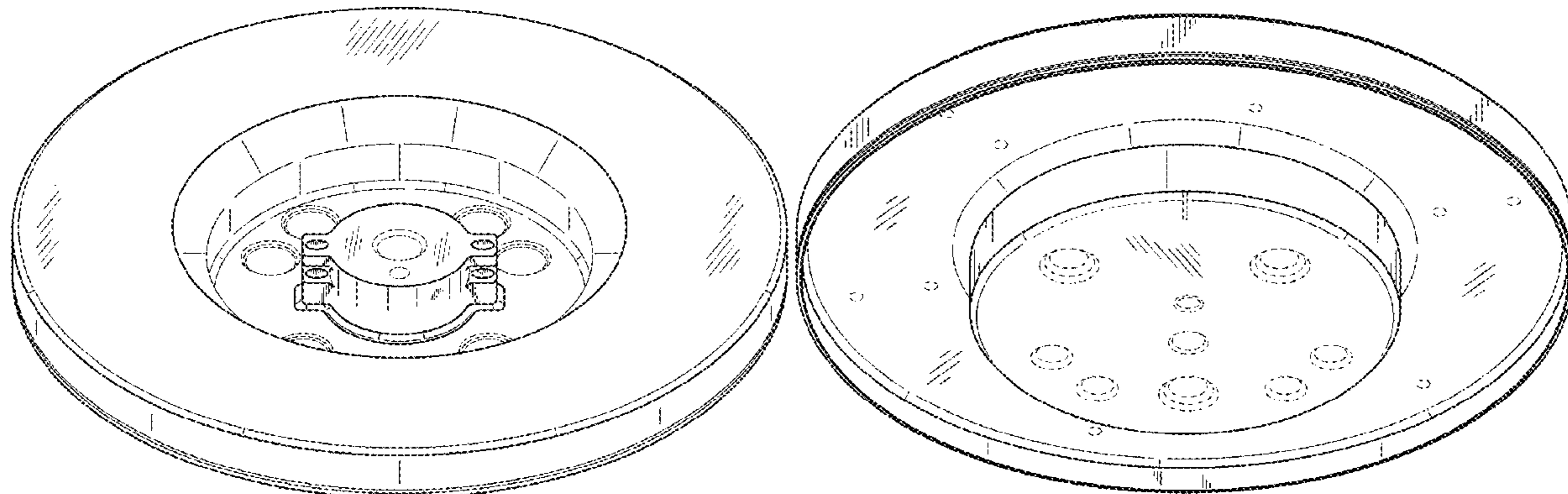
FIG. 8 is a right side elevation view thereof.

FIG. 9 is a cross-sectional view taken along line 9-9 in FIG. 3; and,

FIG. 10 is a cross-sectional view taken along line 10-10 in FIG. 3.

The broken lines depict portions of the article that form no part of the claim.

**1 Claim, 6 Drawing Sheets**



# US D960,216 S

Page 2

## (58) Field of Classification Search

USPC ..... D13/118, 122, 133, 162, 182, 184, 199;  
D22/113, 119  
CPC ..... H01J 37/3414; H01J 37/3423; H01L  
21/02631; H01L 2221/68363; H01L  
2224/75186-75189; H01L 21/67742;  
H01L 21/0226; H01L 21/02263; H01L  
21/02266; H01L 21/02269; H01L  
21/02271; F16J 7/00; E04D 13/14; C23C  
14/3407; C23C 14/35

See application file for complete search history.

## (56) References Cited

### U.S. PATENT DOCUMENTS

6,324,743 B1 \* 12/2001 Gonnet ..... B25C 1/188  
403/294  
6,673,651 B2 \* 1/2004 Ohuchi ..... H01L 25/105  
438/455  
6,853,533 B2 2/2005 Parkhe  
7,324,307 B2 \* 1/2008 Brink ..... G11B 5/4813  
7,589,950 B2 9/2009 Parkhe et al.  
7,697,260 B2 4/2010 Brown et al.  
D616,390 S \* 5/2010 Sato ..... D13/182  
D623,500 S \* 9/2010 Langner ..... D8/349  
8,476,793 B2 7/2013 Aiello  
D707,257 S \* 6/2014 Song ..... D15/5

9,666,467 B2 5/2017 Parkhe  
9,668,873 B2 \* 6/2017 Winslow ..... A61F 2/4081  
D793,816 S \* 8/2017 Alteslaben ..... D7/586  
D802,546 S \* 11/2017 Jang ..... D13/182  
9,853,579 B2 12/2017 Subramani et al.  
D836,399 S \* 12/2018 Ko ..... D7/584  
D847,982 S 5/2019 Falkenberg  
10,559,327 B2 2/2020 Yoshimura et al.  
10,609,994 B2 \* 4/2020 Vanderminden ..... E04H 15/28  
D893,441 S \* 8/2020 Rao ..... D13/199  
D916,037 S \* 4/2021 Okajima ..... D13/182  
2005/0152089 A1 \* 7/2005 Matsuda ..... H02N 13/00  
361/234  
2006/0133907 A1 \* 6/2006 Bullock ..... B60P 7/0807  
410/107  
2011/0309724 A1 \* 12/2011 Min ..... G11B 19/2009  
310/425  
2018/0350653 A1 \* 12/2018 Jeong ..... H01J 37/32834

### FOREIGN PATENT DOCUMENTS

TW D175855 5/2016  
TW D193794 11/2017

### OTHER PUBLICATIONS

Search Report for Taiwan Design Application No. 108308059D01,  
dated Jun. 1, 2021.

\* cited by examiner

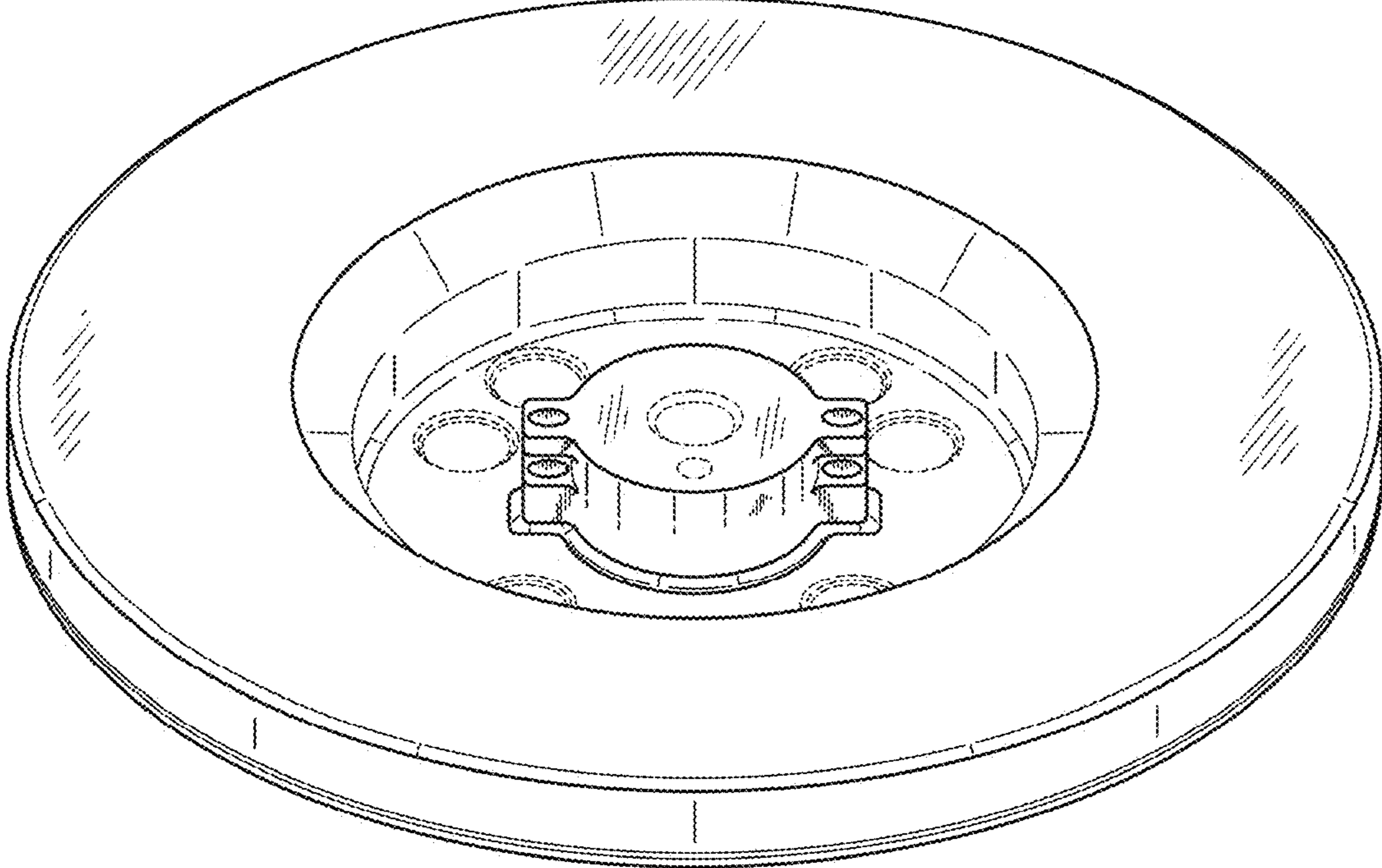


FIG. 1

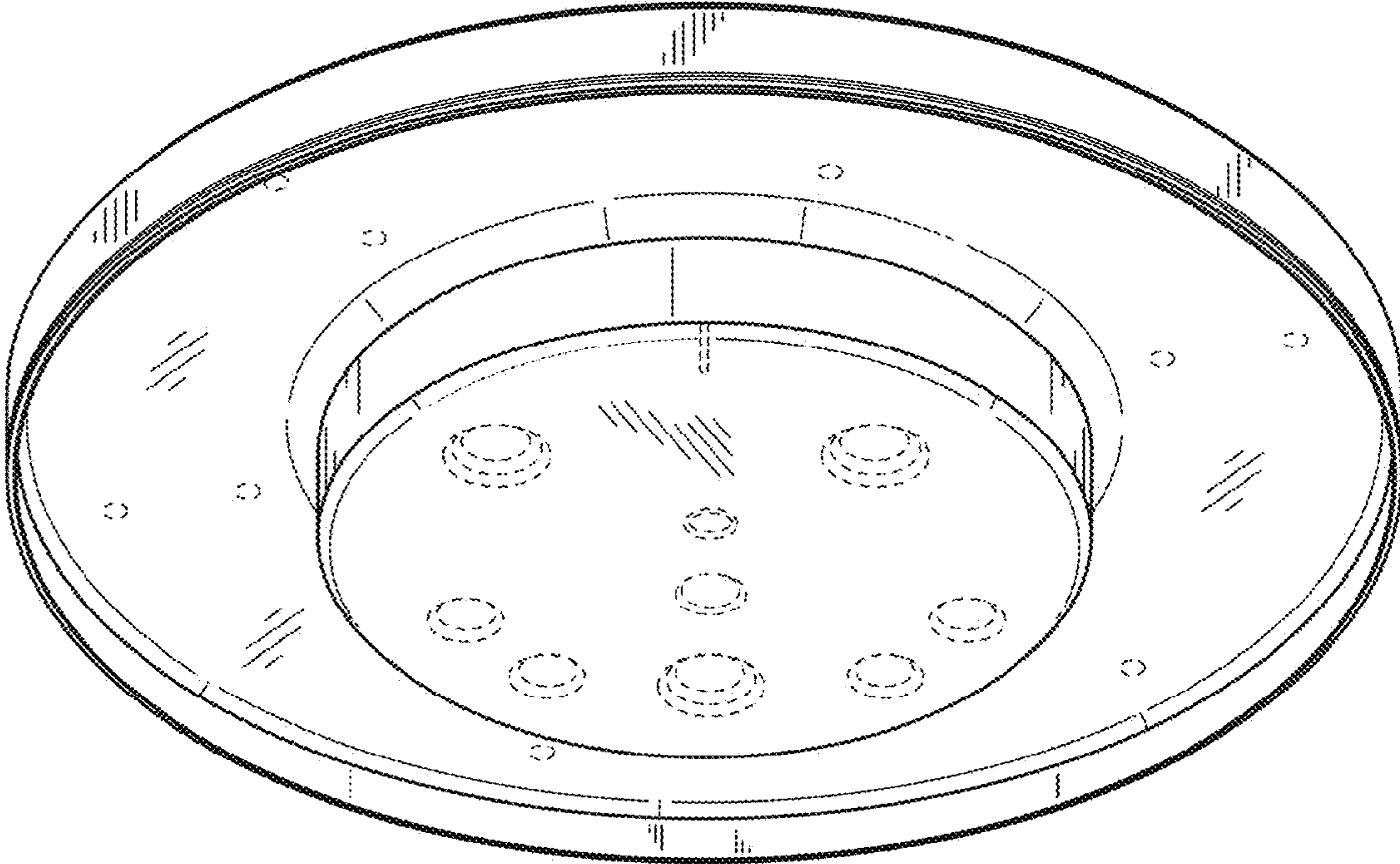


FIG. 2

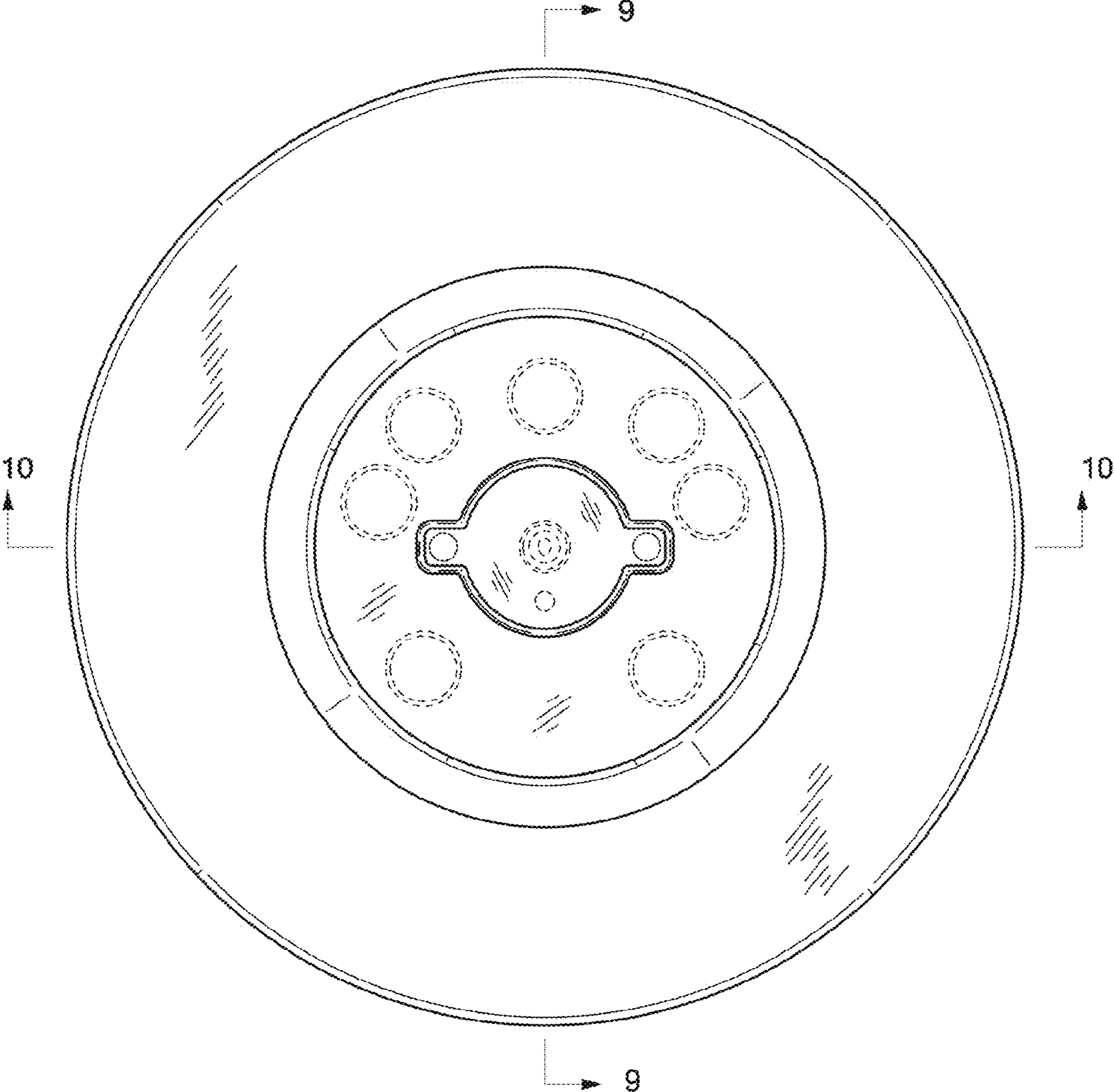


FIG. 3

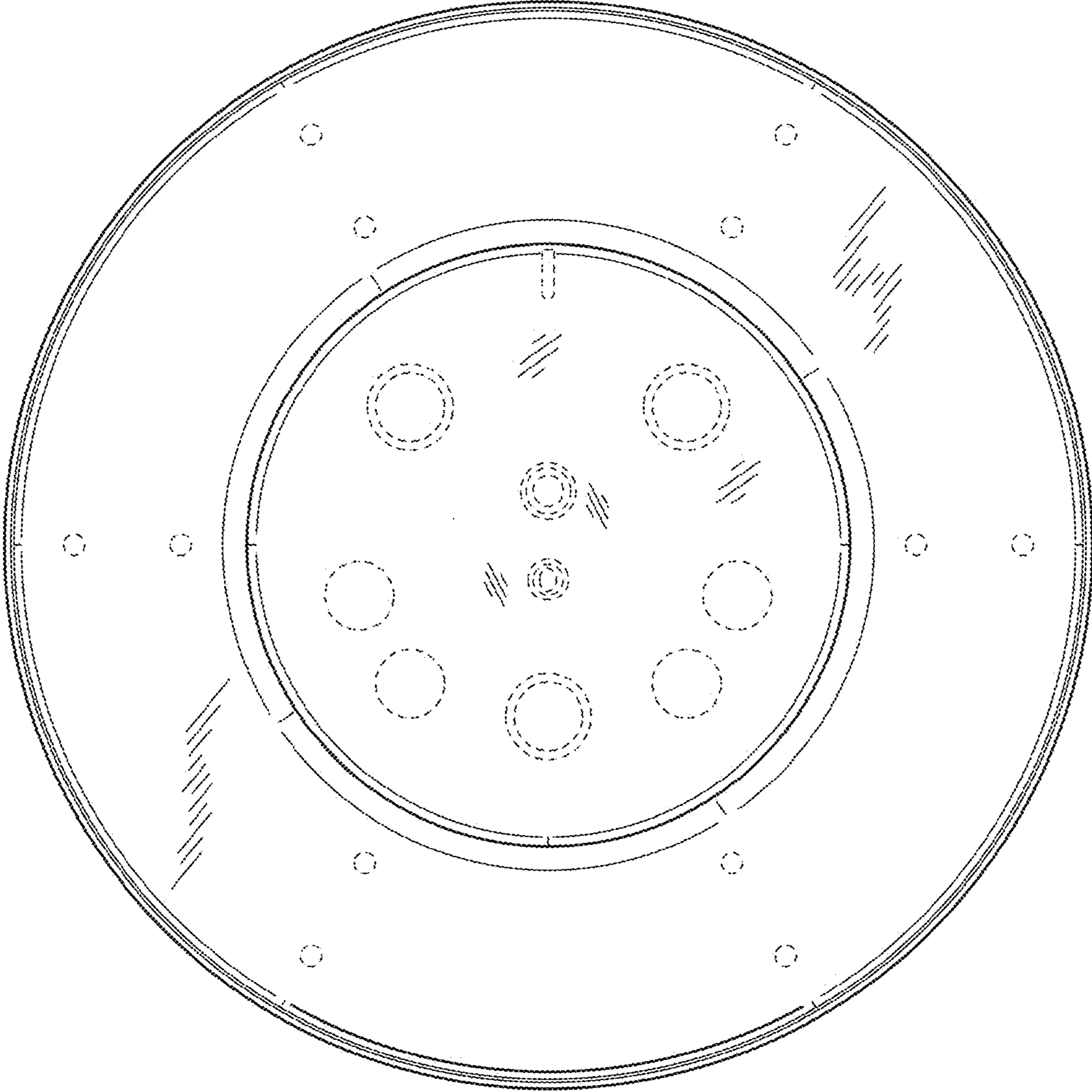


FIG. 4

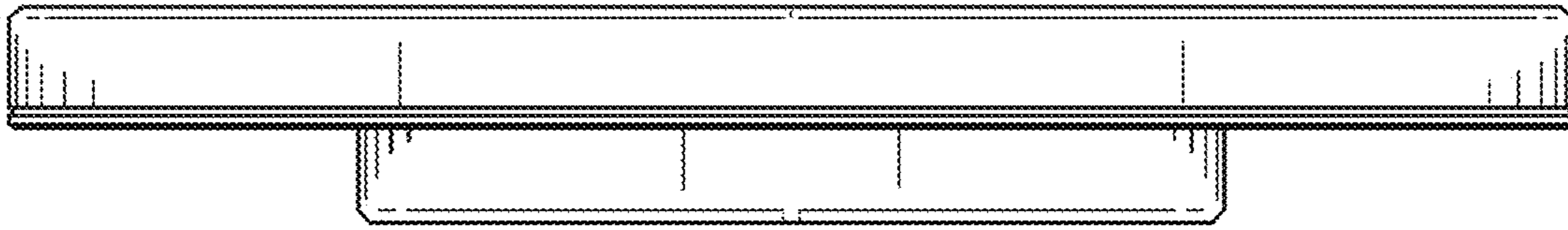


FIG. 5

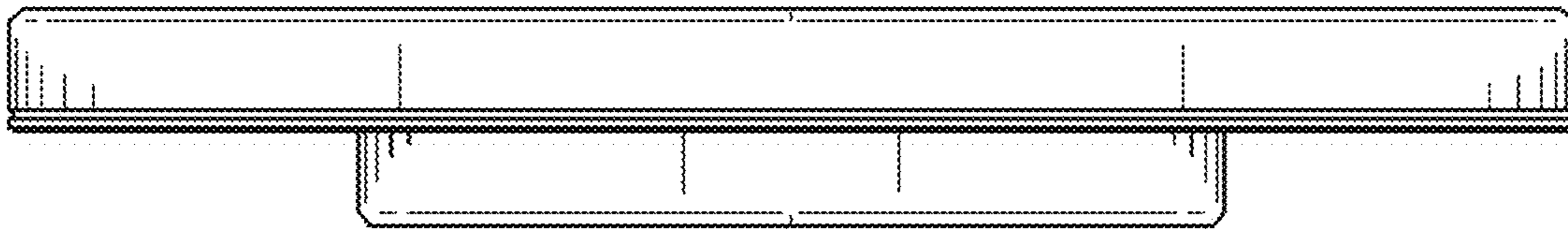


FIG. 6

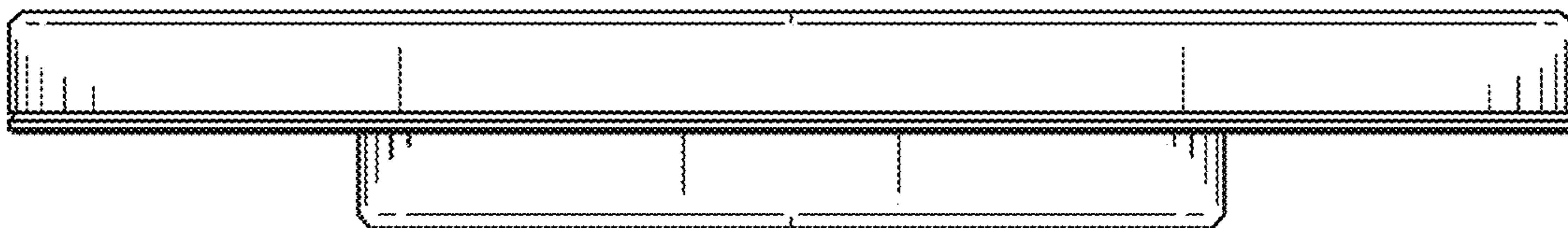


FIG. 7

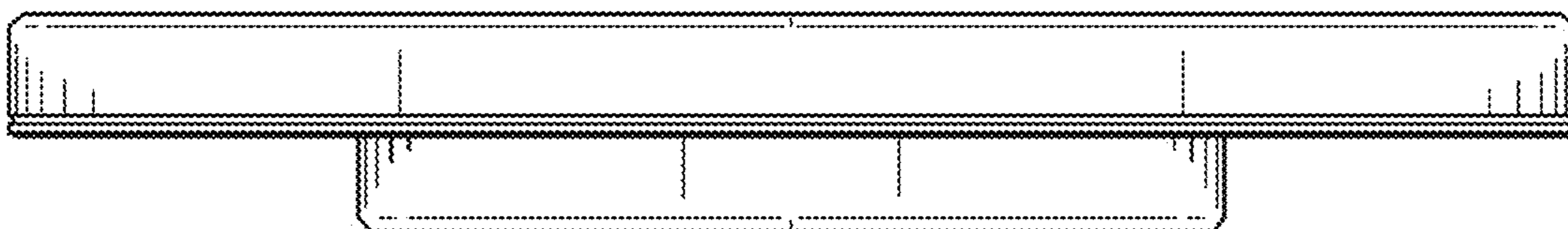


FIG. 8



FIG. 9



FIG. 10