

US00D960215S

(12) **United States Design Patent** (10) **Patent No.:** **US D960,215 S**
Weaver et al. (45) **Date of Patent:** **** Aug. 9, 2022**

(54) **SHEAR PICK**
(71) Applicants: **Gary E. Weaver**, Conroe, TX (US);
William W. King, Houston, TX (US);
Barry Calnan, Stevens Point, WI (US)
(72) Inventors: **Gary E. Weaver**, Conroe, TX (US);
William W. King, Houston, TX (US);
Barry Calnan, Stevens Point, WI (US)
(**) Term: **15 Years**

5,052,757 A 10/1991 Latham
5,092,310 A 3/1992 Walen et al.
5,161,627 A 11/1992 Burkett
5,235,961 A 8/1993 McShannon
5,378,050 A 1/1995 Kammerer et al.
5,551,760 A 9/1996 Sollami
5,582,468 A 12/1996 Latham
5,722,733 A 3/1998 Tank et al.
5,842,747 A 12/1998 Winchester
5,884,979 A 3/1999 Latham
6,019,434 A 2/2000 Emmerich
6,234,579 B1 5/2001 Montgomery, Jr.
6,244,665 B1 * 6/2001 Bise E21C 35/19
299/79.1
6,283,844 B1 9/2001 Tank
6,481,803 B2 * 11/2002 Ritchey E21C 35/193
299/108
6,644,755 B1 * 11/2003 Kammerer B28D 1/188
299/110
6,692,083 B2 2/2004 Latham
6,779,850 B1 8/2004 Schibeci et al.

(21) Appl. No.: **29/750,815**
(22) Filed: **Sep. 16, 2020**
(51) **LOC (13) Cl.** **15-09**
(52) **U.S. Cl.**
USPC **D15/139**
(58) **Field of Classification Search**
USPC D8/20, 70; D15/124, 126, 131, 138, 139,
D15/140
CPC B23D 61/06; B28D 1/122; B28D 1/186;
B28D 1/188; E01C 23/088; E01C 23/127;
E21B 10/54; E21B 10/55; E21B 10/567;
E21B 10/5673; E21B 10/602; E21C
35/183; E21C 35/197; E21C 2035/1813;
E21C 2035/1816; E23B 51/00
See application file for complete search history.

Primary Examiner — Patricia A Palasik
(74) *Attorney, Agent, or Firm* — Michael S. McCoy;
Amatong McCoy LLC

(57) **CLAIM**

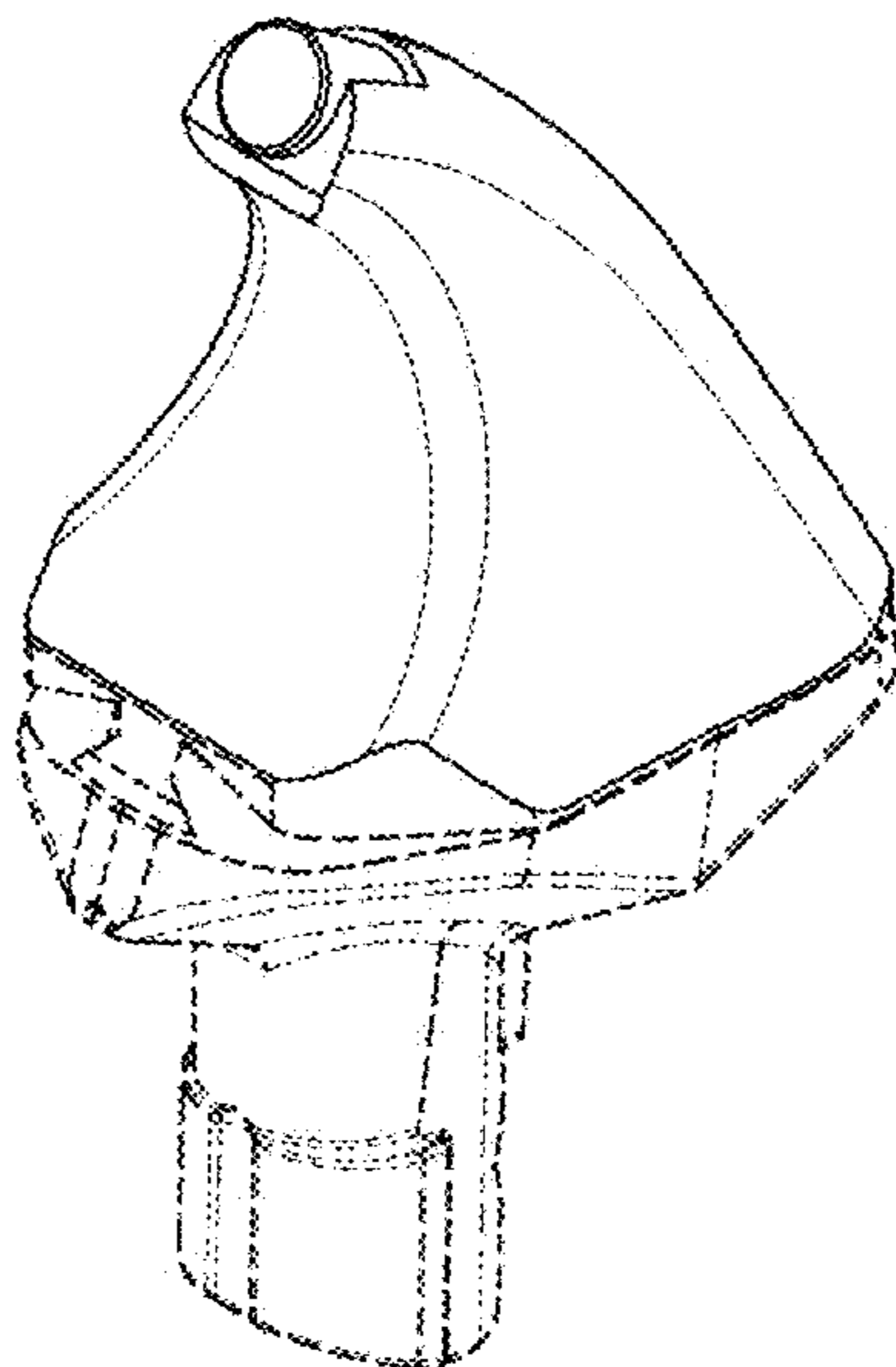
The ornamental design for a shear pick, as shown and described.

DESCRIPTION

FIG. 1 is a front view of an embodiment of a shear pick; FIG. 2 is a right-side view of the embodiment of FIG. 1; FIG. 3 is a top view of the embodiment of FIG. 1; FIG. 4 is an isometric view of the embodiment of FIG. 1; and, FIG. 5 is a front perspective view of the embodiment of FIG. 1.
Broken lines in FIGS. 1-5 depict portions of the shear pick and form no part of the claimed design.

1 Claim, 2 Drawing Sheets

(56) **References Cited**
U.S. PATENT DOCUMENTS
2,785,883 A 3/1957 Lundquist
3,814,482 A 6/1974 Bower et al.
4,143,920 A 3/1979 Haddock
4,187,626 A 2/1980 Greer et al.
4,302,053 A 11/1981 Roepke et al.
4,657,308 A 4/1987 Clapham
4,674,802 A 6/1987 McKenna et al.
4,678,237 A 7/1987 Collin
4,697,850 A 10/1987 Tuneblom
4,880,278 A 11/1989 Tomlinson



(56)

References Cited

U.S. PATENT DOCUMENTS

6,824,225	B2	11/2004	Stiffler	
6,962,395	B2 *	11/2005	Mouthaan	E21C 35/197 299/103
7,066,555	B2	6/2006	Hansen et al.	
7,108,212	B2	9/2006	Latham	
D566,137	S	4/2008	Hall et al.	
D572,735	S	7/2008	Kammerer	
D581,952	S	12/2008	Hall et al.	
D692,039	S *	10/2013	Buhr	D15/140
8,668,275	B2	3/2014	Hall et al.	
D707,270	S *	6/2014	Meier	D15/123
D707,271	S *	6/2014	Meier	D15/123
9,316,601	B2	4/2016	Proksa et al.	
9,434,091	B2	9/2016	Burton et al.	
9,492,827	B2	11/2016	Daniels et al.	
D796,929	S *	9/2017	Jost	D8/71
D796,930	S *	9/2017	Jost	D8/71
D797,536	S *	9/2017	Jost	D8/71
D809,031	S	1/2018	Burton	
9,909,417	B2	3/2018	Hall et al.	
10,036,250	B2	7/2018	Cox et al.	
D828,859	S	9/2018	Burton	
D839,936	S	2/2019	Weber et al.	
10,316,660	B2	6/2019	Burton et al.	
10,323,514	B2	6/2019	Burton et al.	
10,337,327	B2	7/2019	Cox et al.	
D860,275	S	9/2019	Burton	
10,414,069	B2	9/2019	Miess et al.	
10,648,330	B1	5/2020	Weaver et al.	
D934,318	S *	10/2021	Mills	D15/139
D940,768	S *	1/2022	Mills	D15/139
D941,375	S *	1/2022	Mills	D15/139
2013/0052481	A1 *	2/2013	Konyashin	C23C 26/02 228/195

* cited by examiner

FIG. 3

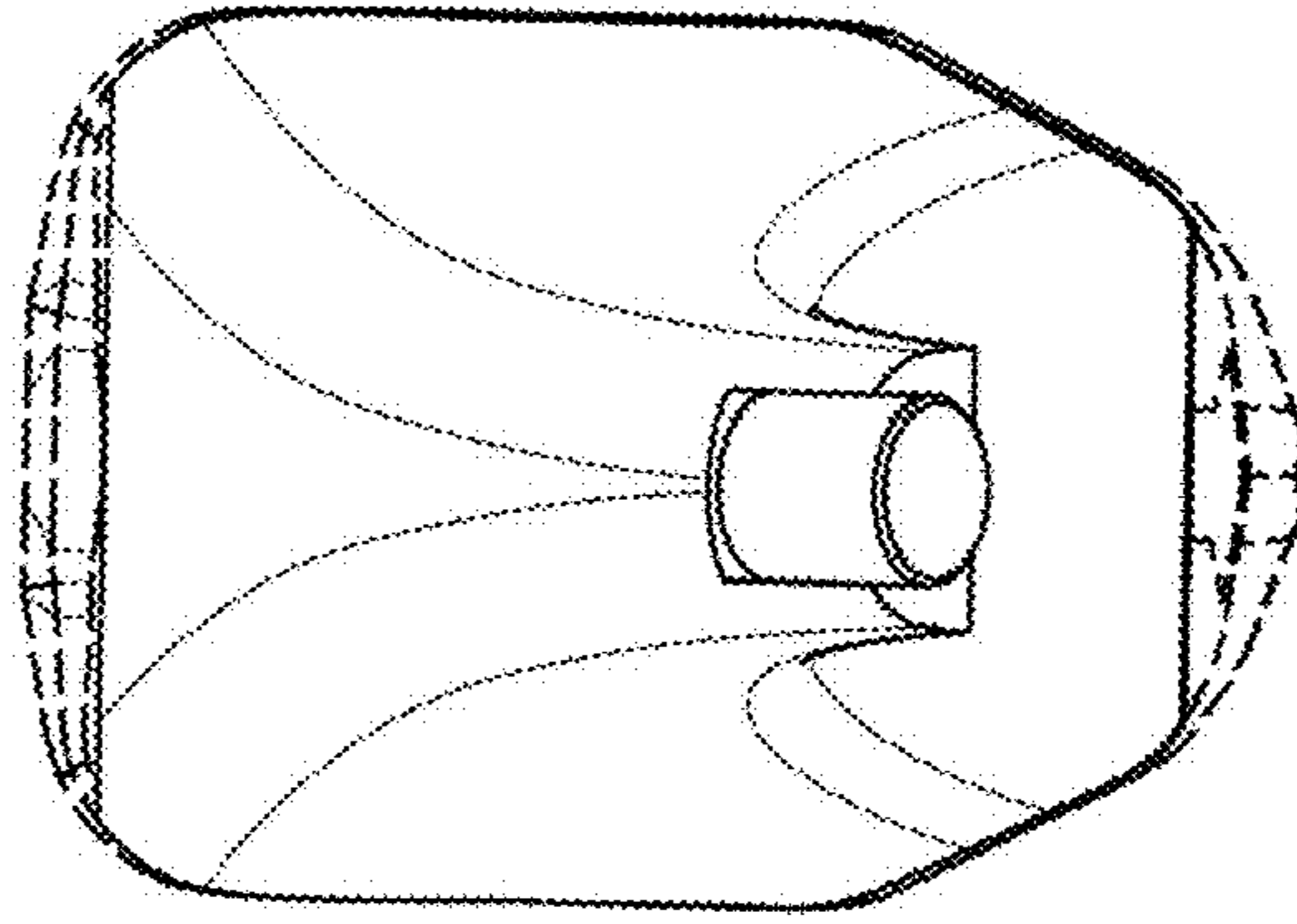


FIG. 2

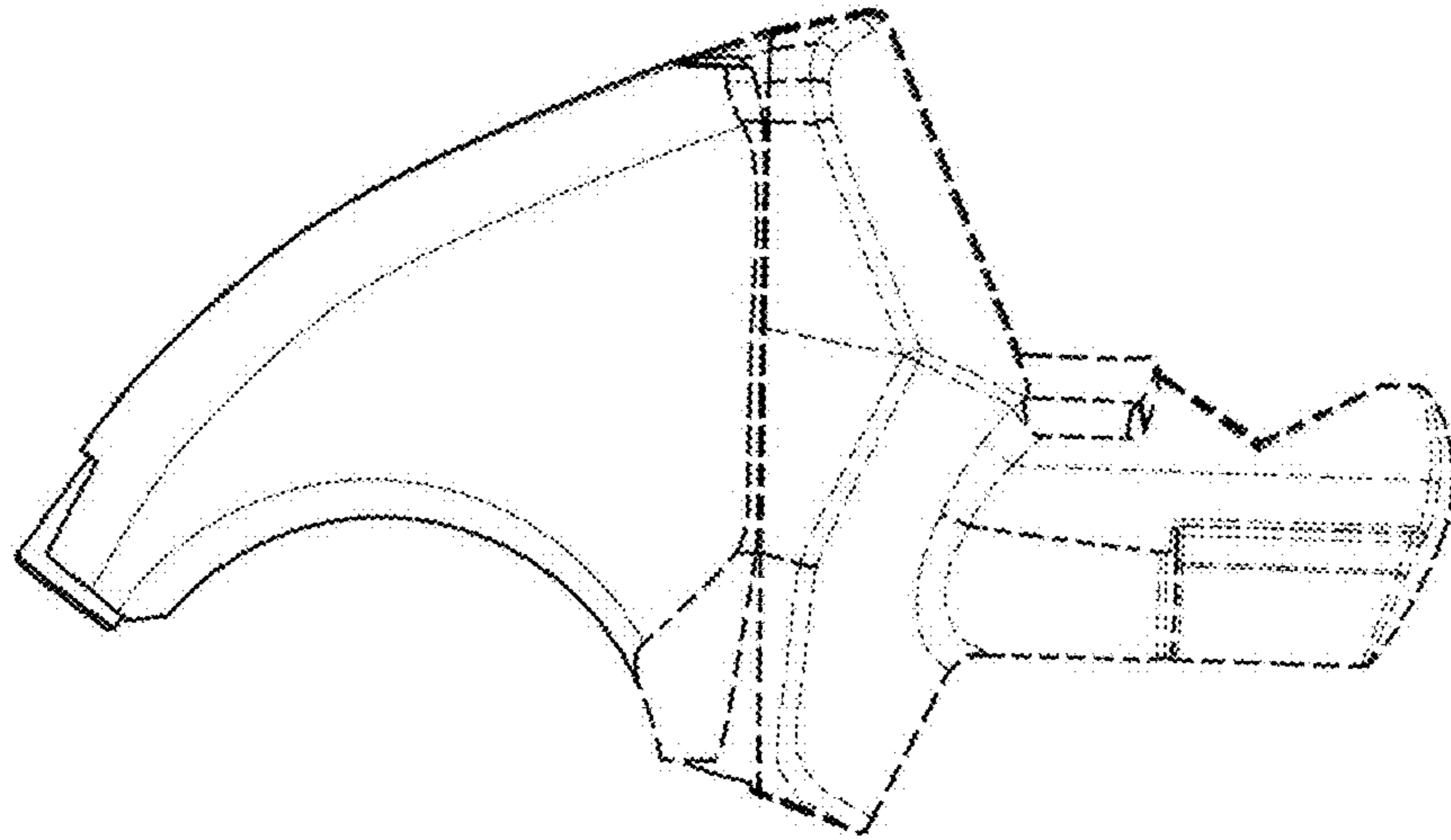


FIG. 1

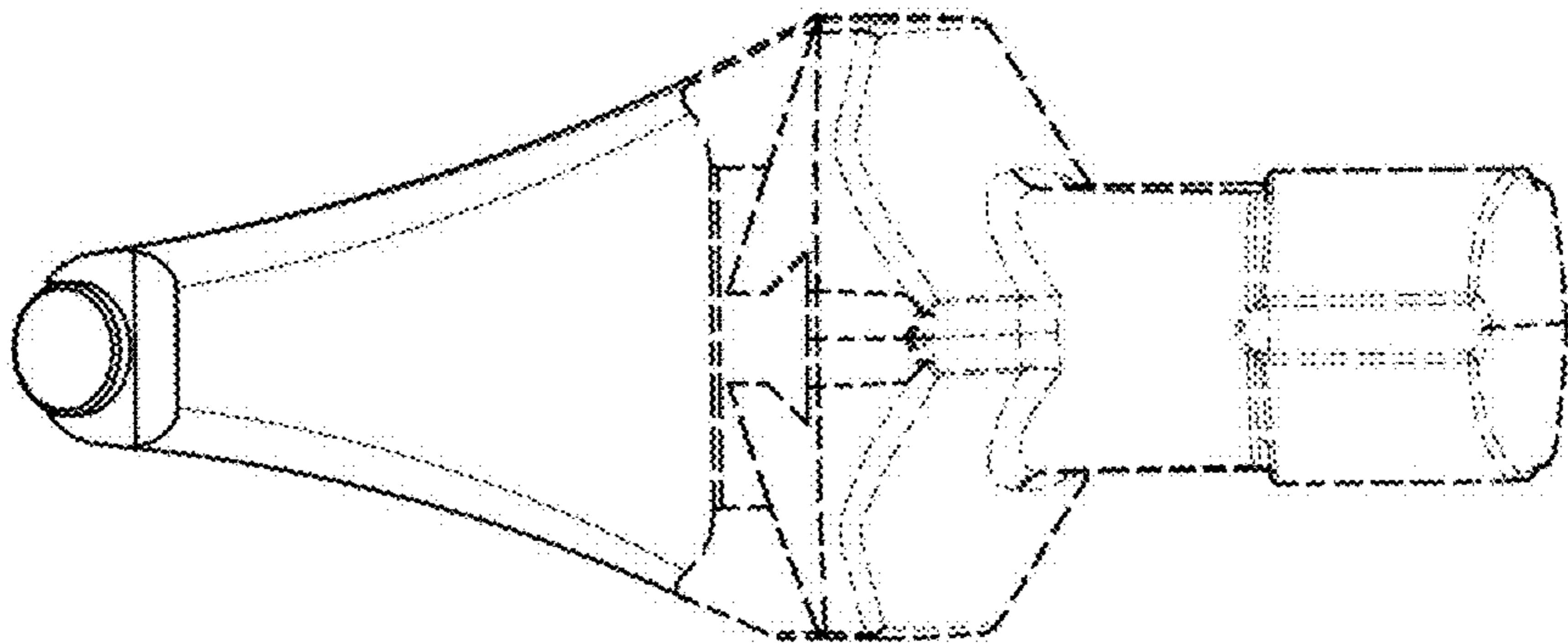


FIG. 5

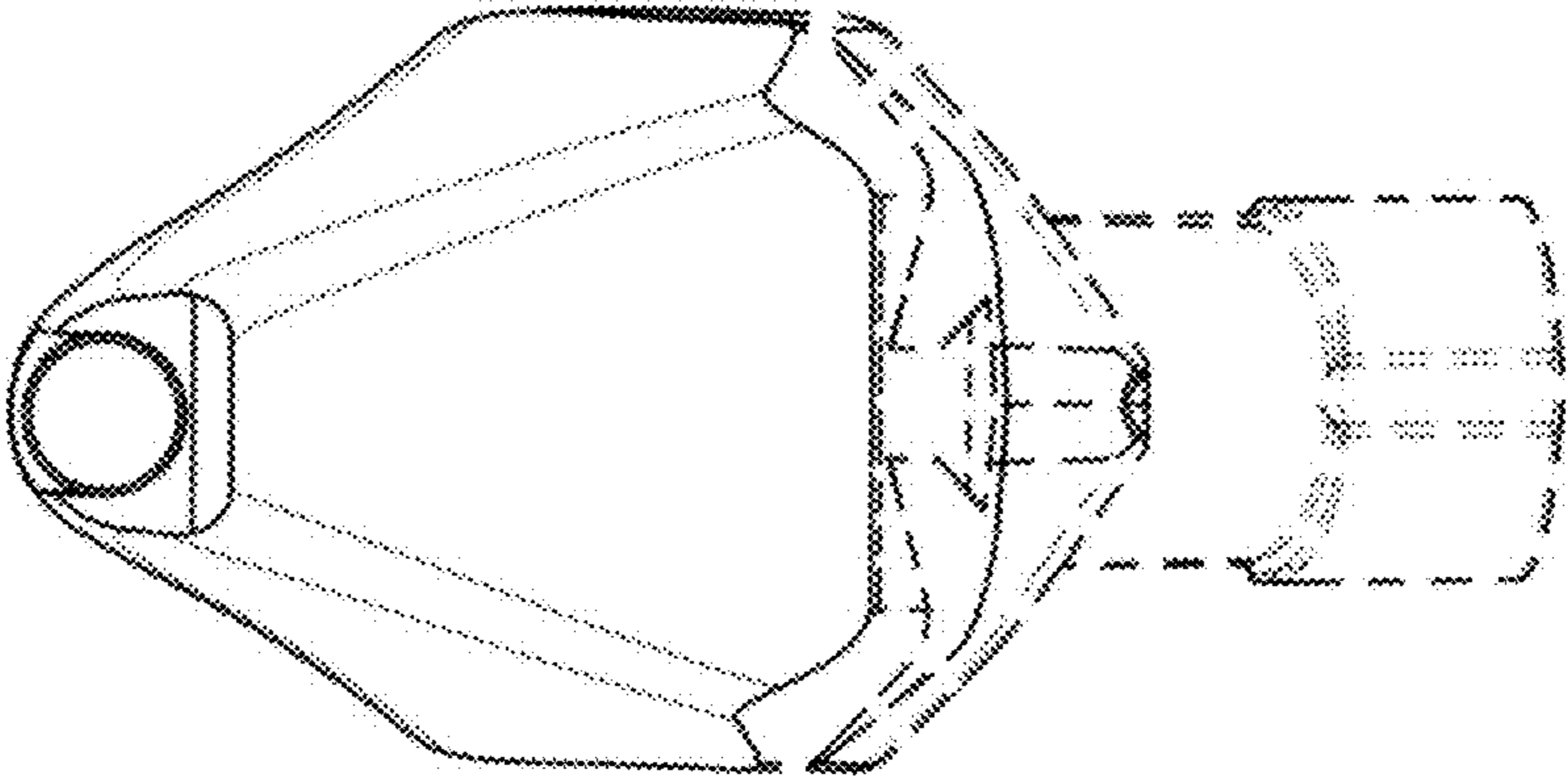


FIG. 4

