



US00D960214S

(12) **United States Design Patent**
Kukino et al.

(10) **Patent No.:** **US D960,214 S**
(45) **Date of Patent:** **** Aug. 9, 2022**

(54) **CUTTING TOOL**

(71) Applicant: **SUMITOMO ELECTRIC
HARDMETAL CORP.**, Itami (JP)

(72) Inventors: **Satoru Kukino**, Itami (JP); **Gaku Harada**, Itami (JP); **Takashi Harada**, Itami (JP); **Naoki Watanobe**, Itami (JP); **Soichiro Kakinoki**, Itami (JP); **Keita Miyamoto**, Itami (JP); **Hironari Moroguchi**, Itami (JP)

(73) Assignee: **SUMITOMO ELECTRIC
HARDMETAL CORP.**, Itami (JP)

(**) Term: **15 Years**

(21) Appl. No.: **29/716,419**

(22) Filed: **Dec. 10, 2019**

(30) **Foreign Application Priority Data**

Jun. 12, 2019	(JP)	2019-012939
Jun. 12, 2019	(JP)	2019-012940
Jun. 12, 2019	(JP)	2019-012941
Jun. 12, 2019	(JP)	2019-012942
Jun. 12, 2019	(JP)	2019-012943
Jun. 12, 2019	(JP)	2019-012944
Jun. 12, 2019	(JP)	2019-012945
Jun. 12, 2019	(JP)	2019-012946

(51) **LOC (13) Cl.** **15-09**

(52) **U.S. Cl.**
USPC **D15/139**

(58) **Field of Classification Search**
USPC D8/20, 70; D15/126, 131, 138, 139, 140
CPC B23B 27/145; B23B 27/1622; B23B 2200/048; B23B 2200/204; B23B 2200/085; B23B 2200/0416; B23B

(Continued)

(56) **References Cited**

U.S. PATENT DOCUMENTS

D774,573 S * 12/2016 Sharivker D15/139
D792,489 S * 7/2017 Sharivker D15/139

(Continued)

Primary Examiner — Patricia A Palasik

(74) *Attorney, Agent, or Firm* — Faegre Drinker Biddle & Reath LLP

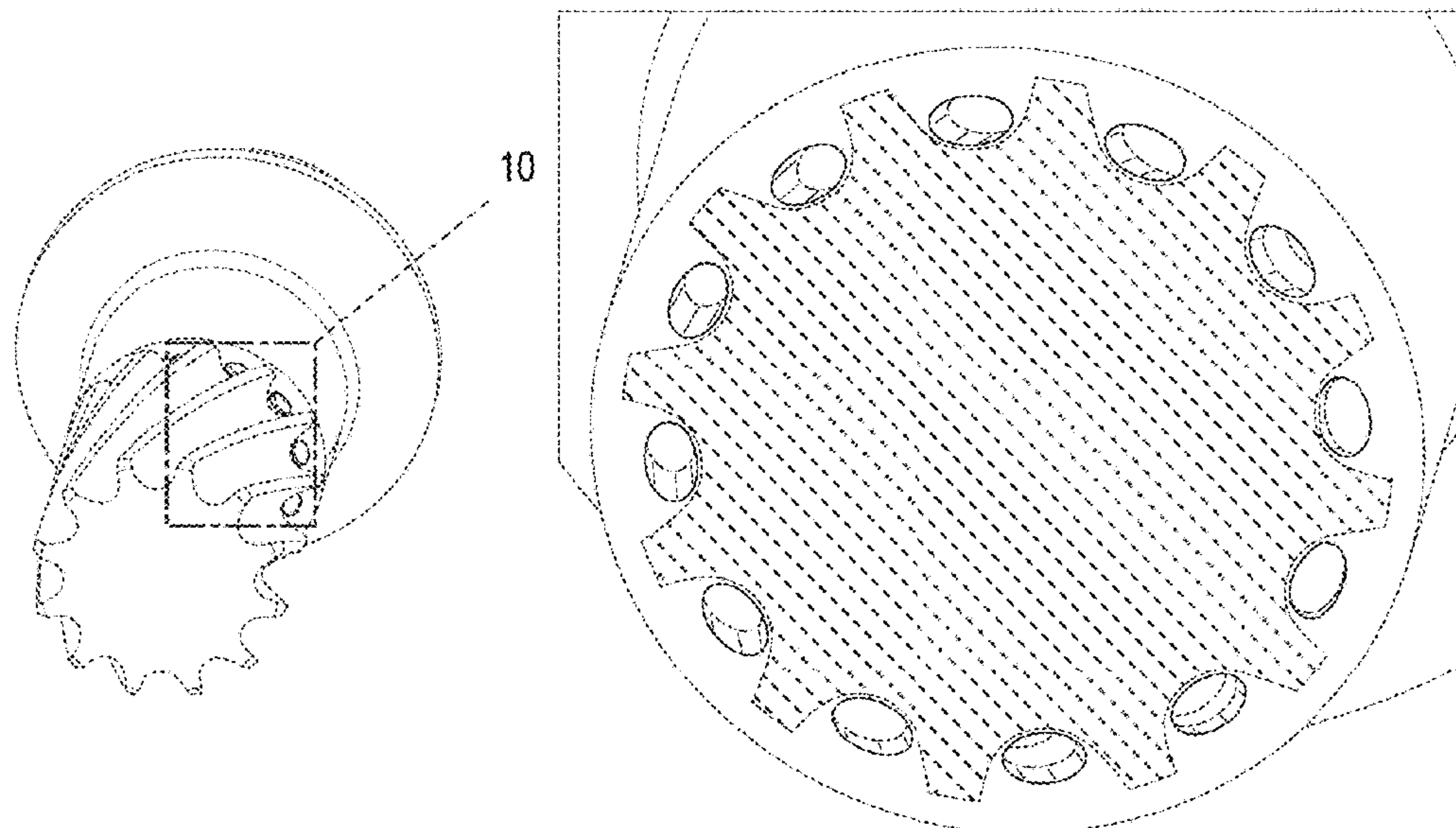
(57) **CLAIM**

The ornamental design for a cutting tool, as shown and described.

DESCRIPTION

FIG. 1 is a front view of a cutting tool in accordance with an embodiment of the present design;
FIG. 2 is a rear view thereof;
FIG. 3 is a right side view thereof;
FIG. 4 is a left side view thereof;
FIG. 5 is a top view thereof;
FIG. 6 is a bottom view thereof;
FIG. 7 is a first perspective view thereof;
FIG. 8 is a second perspective view thereof;
FIG. 9 is a cross sectional view taken along line 9-9 of FIG. 1;
FIG. 10 is an enlarged view of 10 portion of FIG. 8;
FIG. 11 is an enlarged view of 11 portion of FIG. 9;
FIG. 12 is a cross sectional view taken along line 12-12 of FIG. 1;
FIG. 13 is a cross sectional perspective view taken along line 13-13 of FIG. 1;
FIG. 14 is an enlarged view of 14 portion of FIG. 13; and,
FIG. 15 is a referential view showing the state in use thereof.
The broken lines shown in the drawings represent portions of the cutting tool that form no part of the claimed design. The dashed-dot-dashed lines indicate a boundary between the claimed portions and unclaimed portions of the design.

1 Claim, 8 Drawing Sheets



(58) **Field of Classification Search**

CPC 2200/0423; B23B 2200/0477; B23B
2200/0494; B23C 5/205; B23C 5/207

See application file for complete search history.

(56) **References Cited**

U.S. PATENT DOCUMENTS

D793,460	S	*	8/2017	Sharivker	D15/139
D796,563	S	*	9/2017	Sharivker	D15/139
D797,170	S	*	9/2017	Sharivker	D15/139
9,878,379	B2	*	1/2018	Davis	B23C 5/10
D819,098	S	*	5/2018	Buhr	E21C 35/18 D15/139
D823,089	S	*	7/2018	Shikama	D8/70
D844,684	S	*	4/2019	Ojanen	D15/139
D877,218	S	*	3/2020	Wu	D15/139
D878,437	S	*	3/2020	Bono	D15/139
D878,438	S	*	3/2020	Bono	D15/139
10,682,712	B2	*	6/2020	Sharivker	B21H 3/10
D900,893	S	*	11/2020	English	D15/139
2010/0215447	A1	*	8/2010	Davis	B23C 5/10 407/115

* cited by examiner

FIG. 1

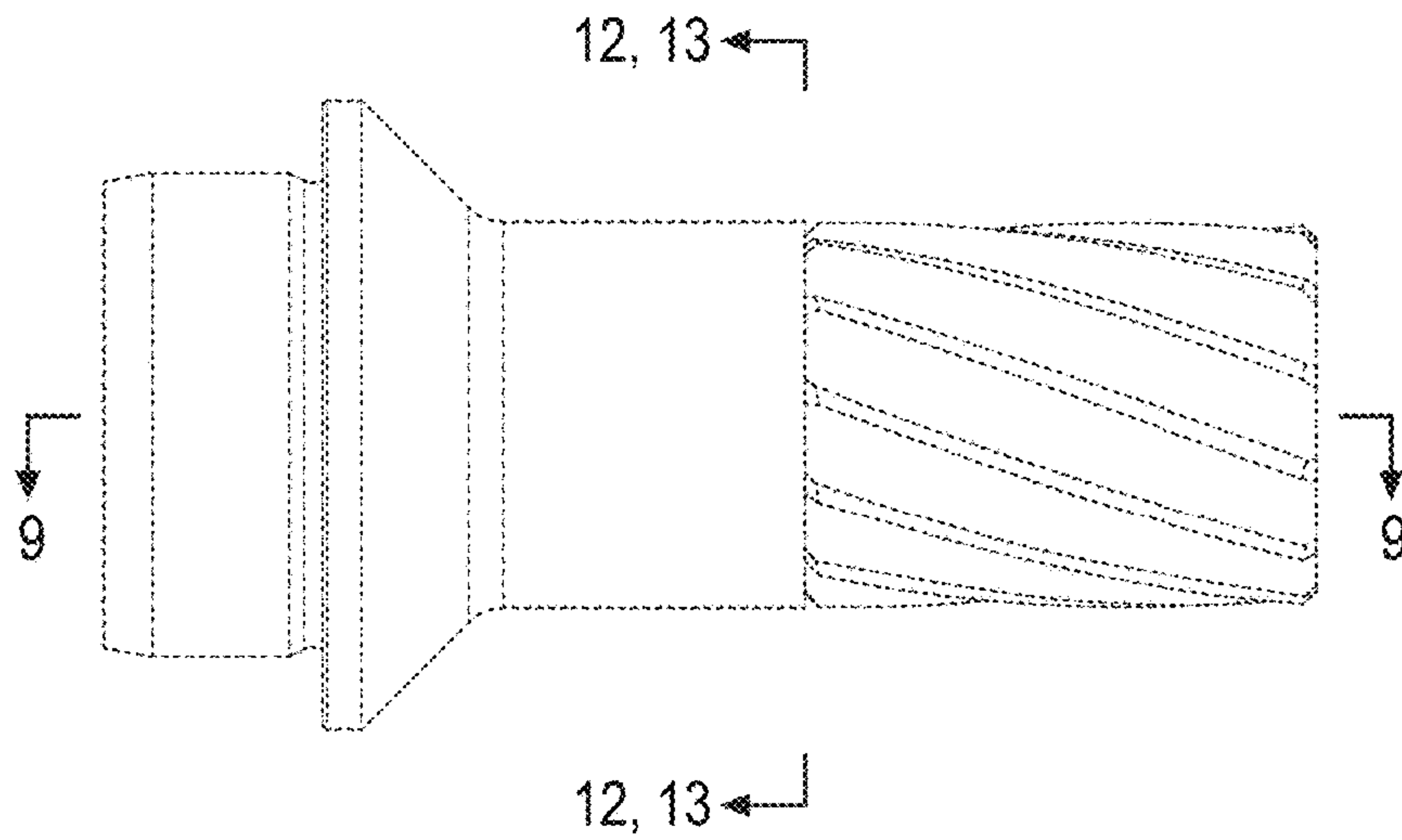


FIG. 2

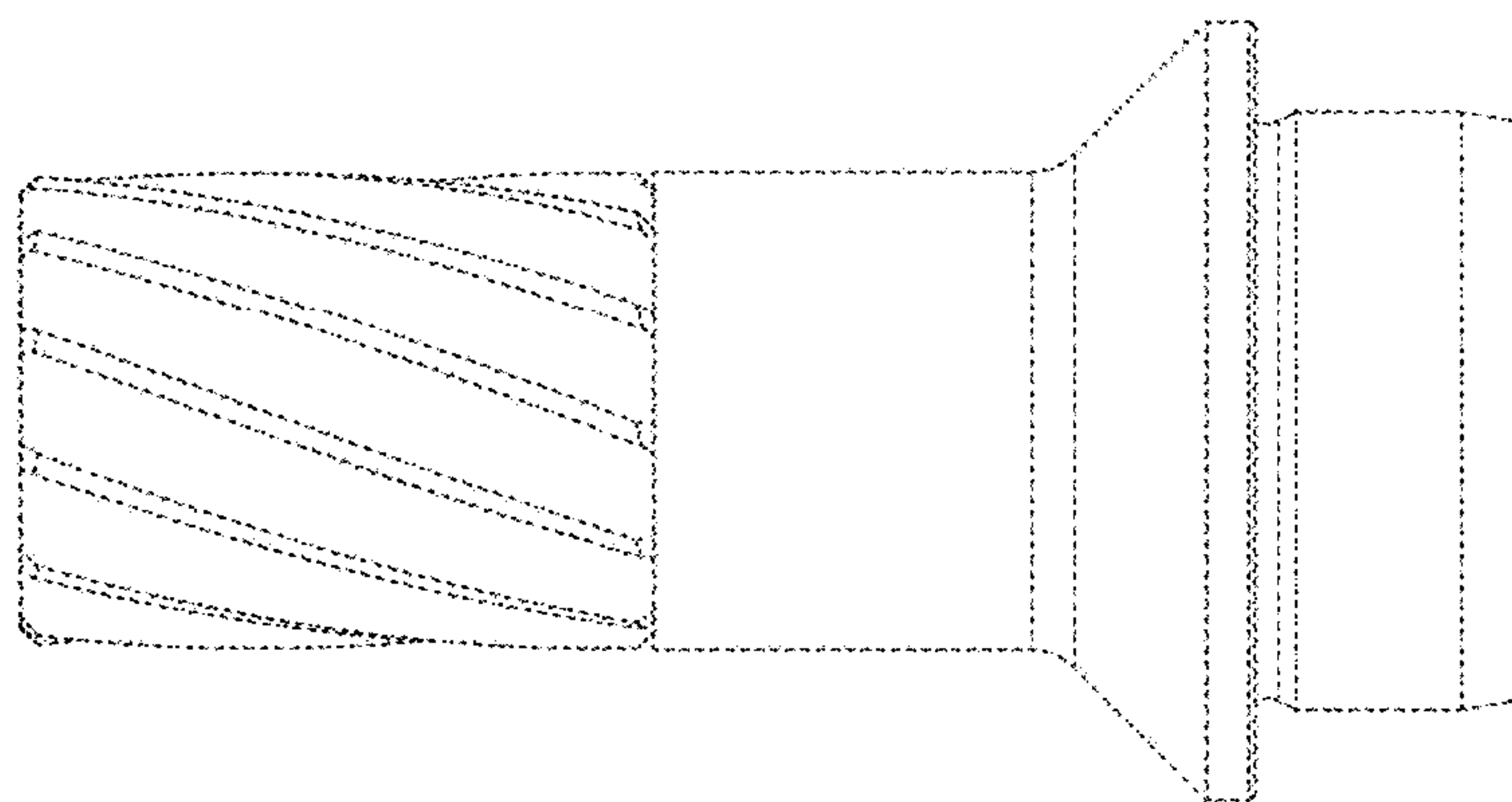


FIG. 3

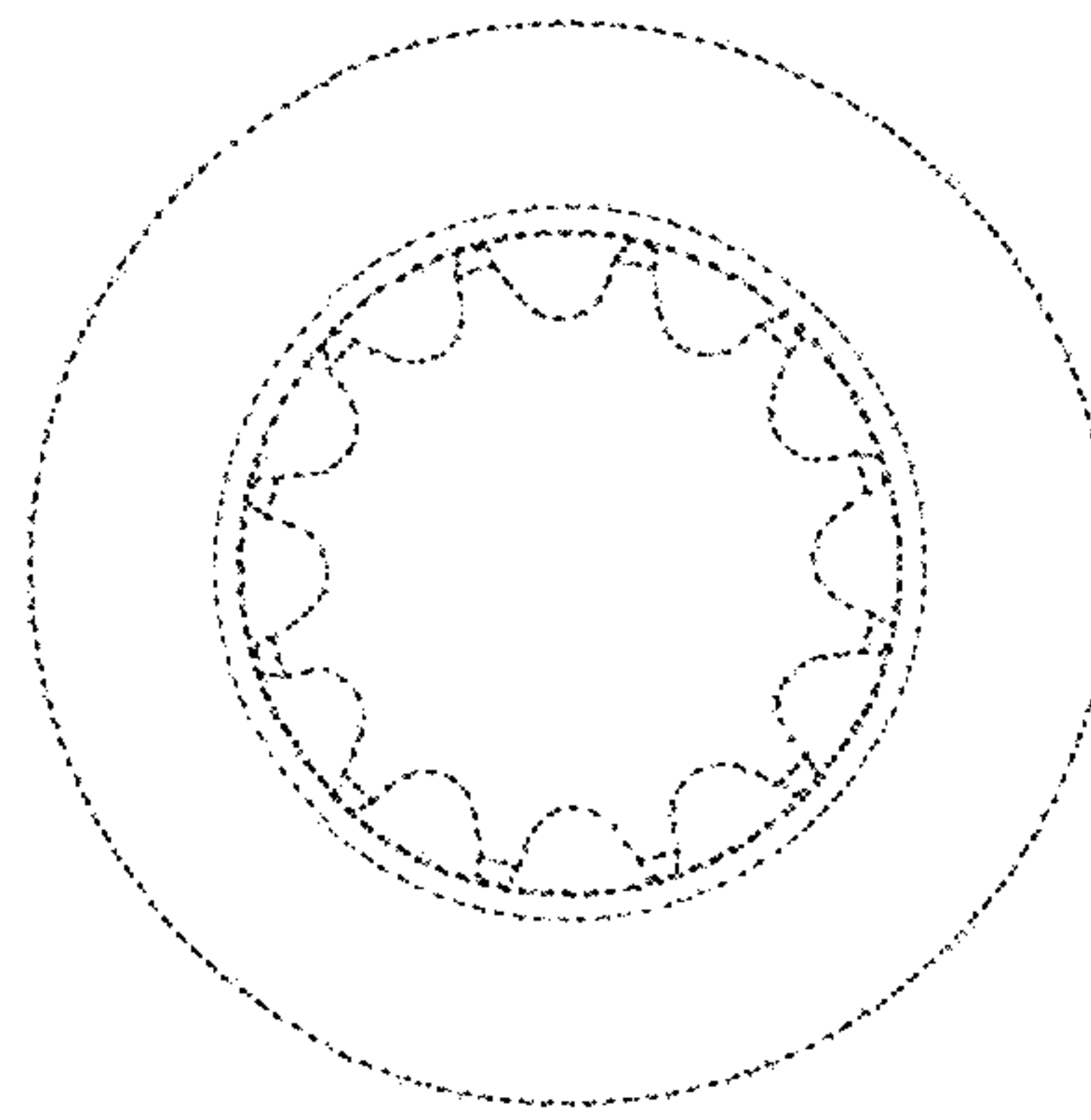


FIG. 4

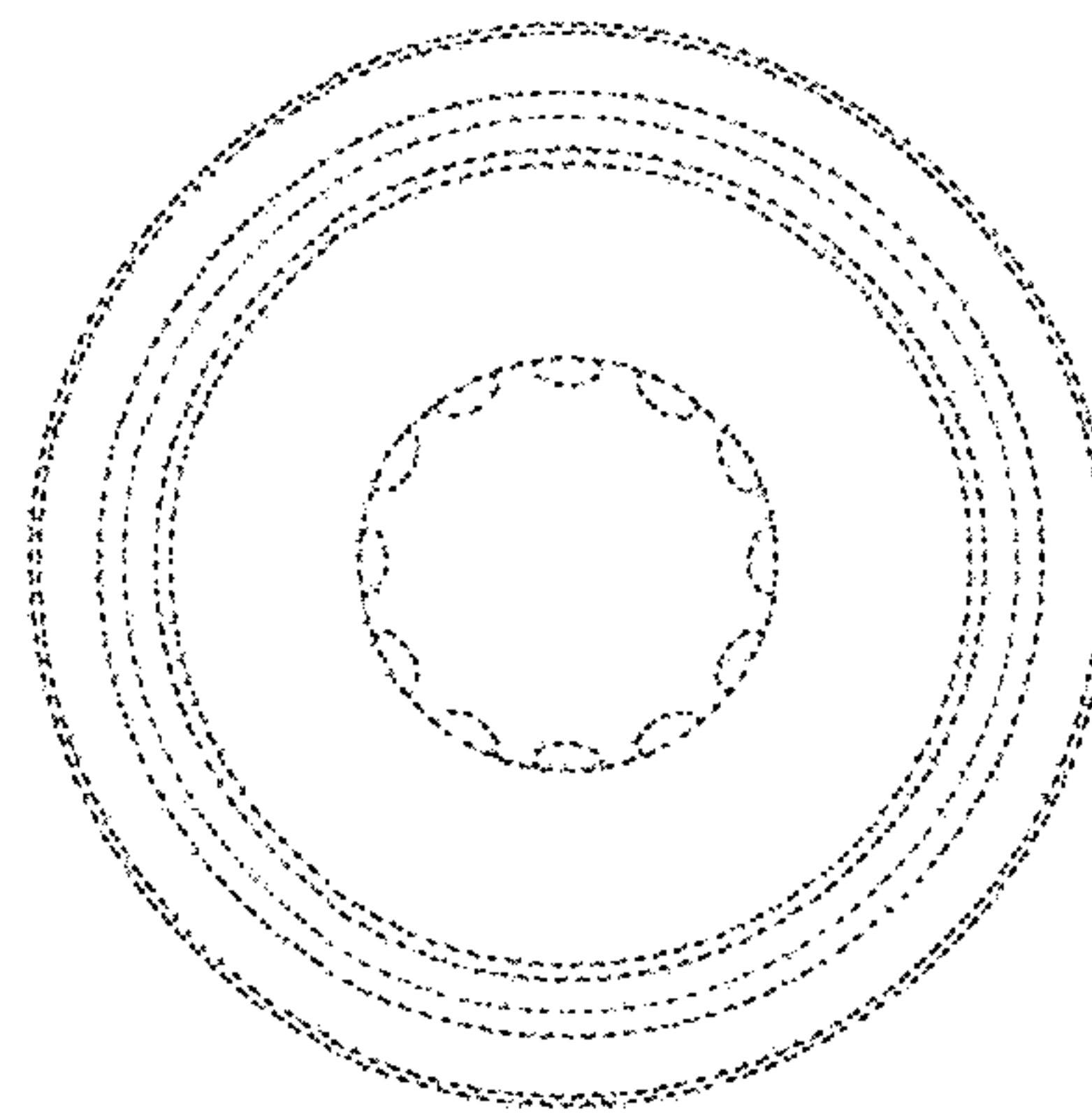


FIG. 5

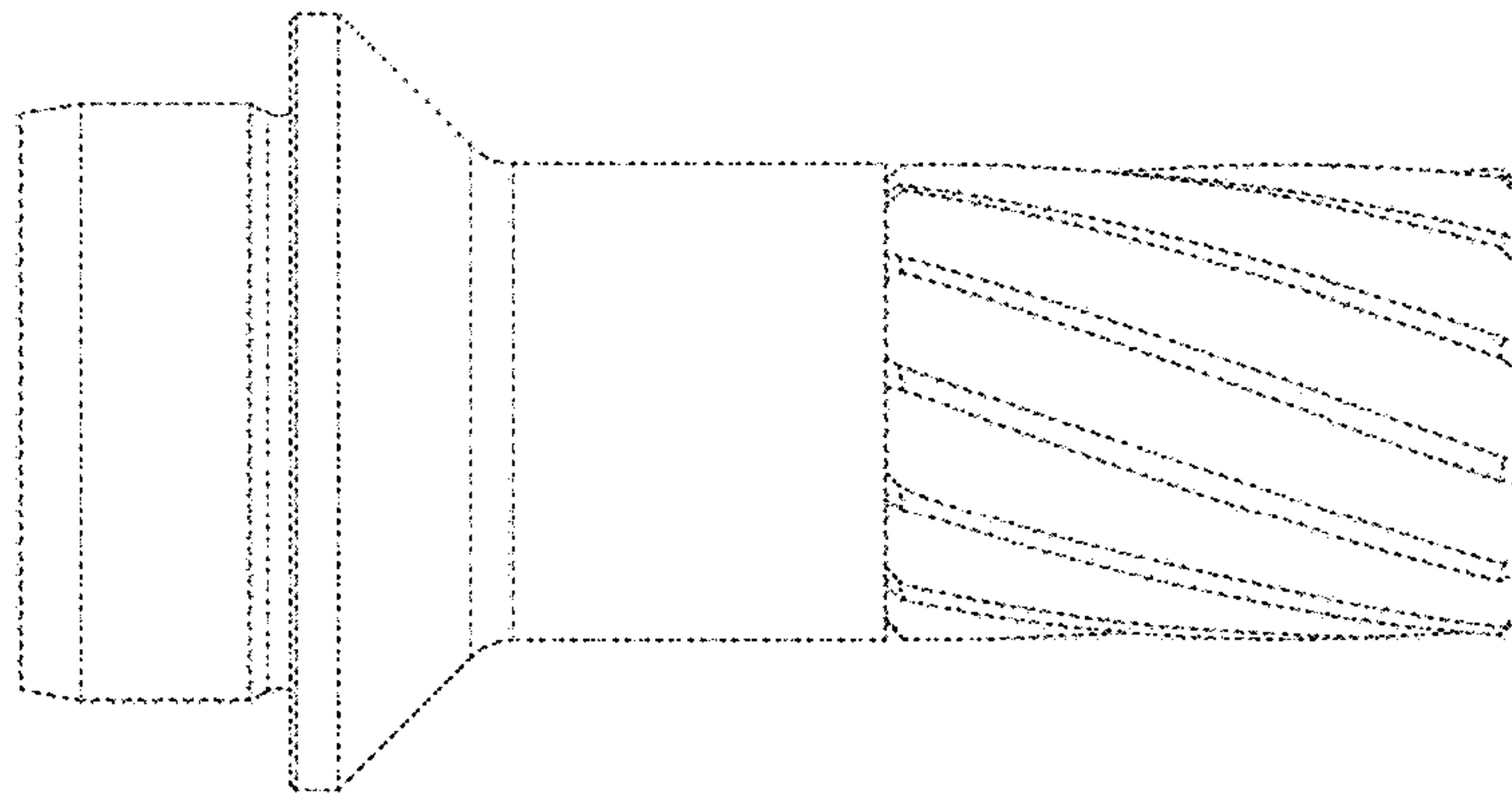


FIG. 6

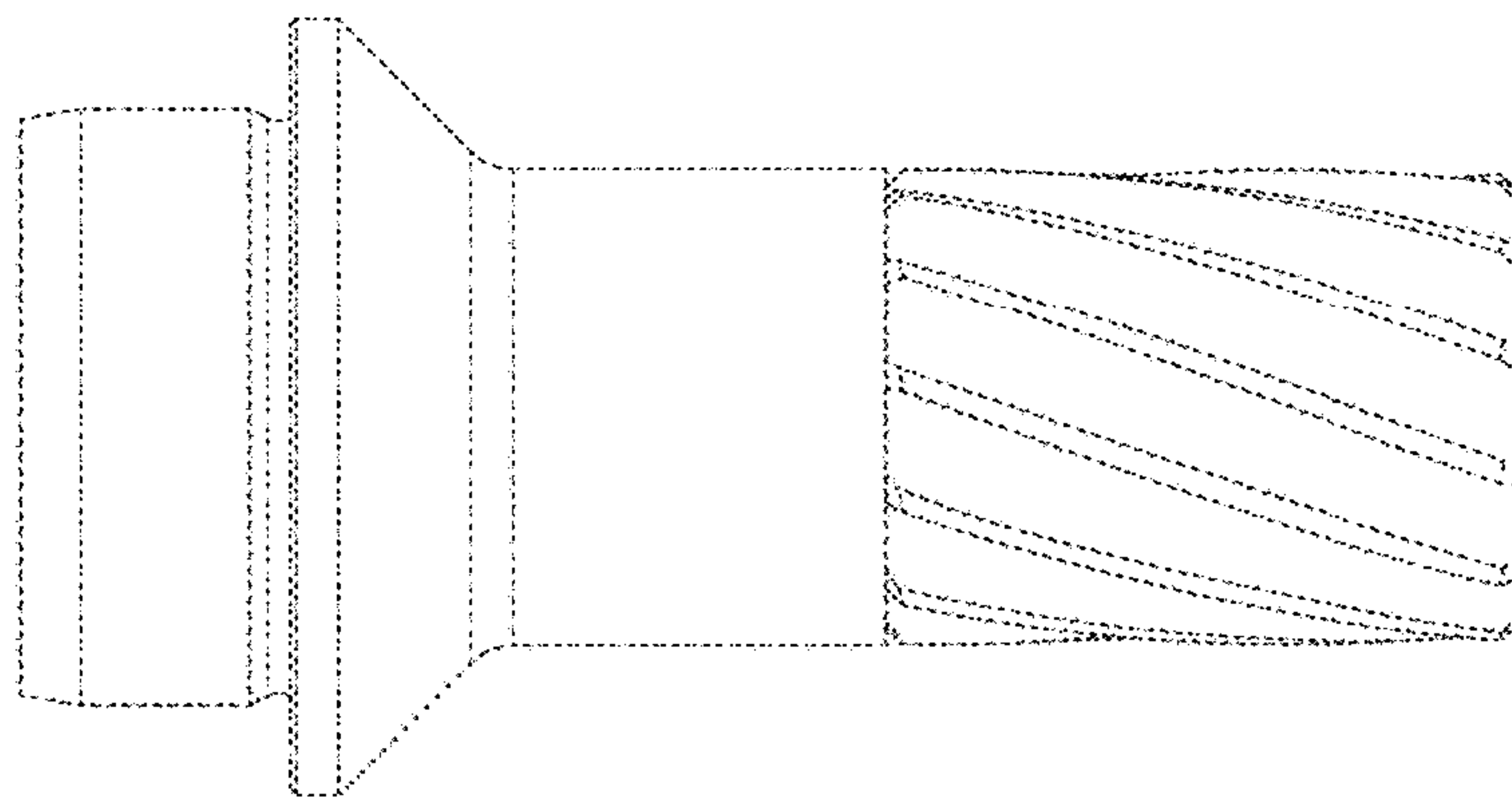


FIG. 7

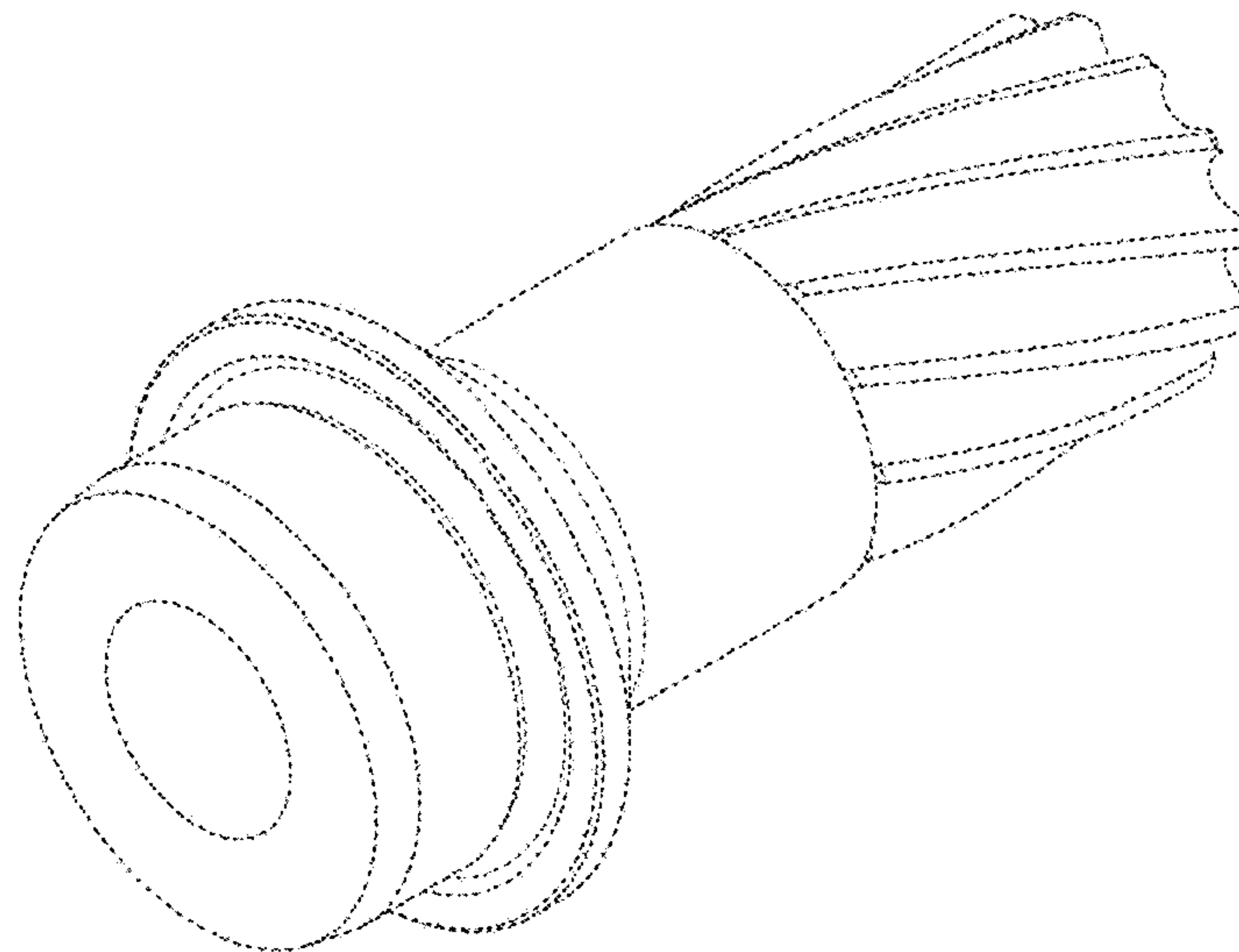


FIG. 8

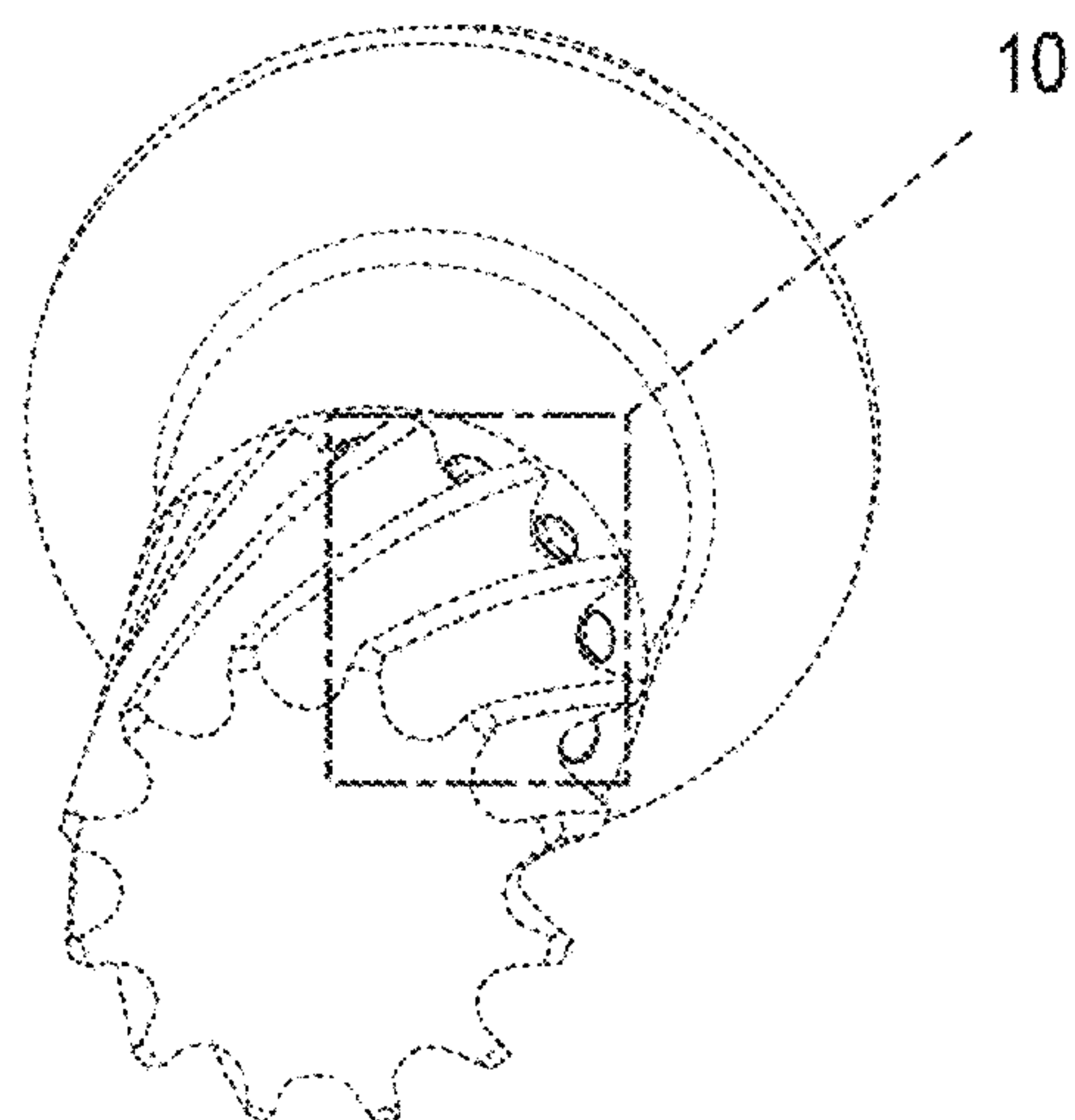


FIG. 9

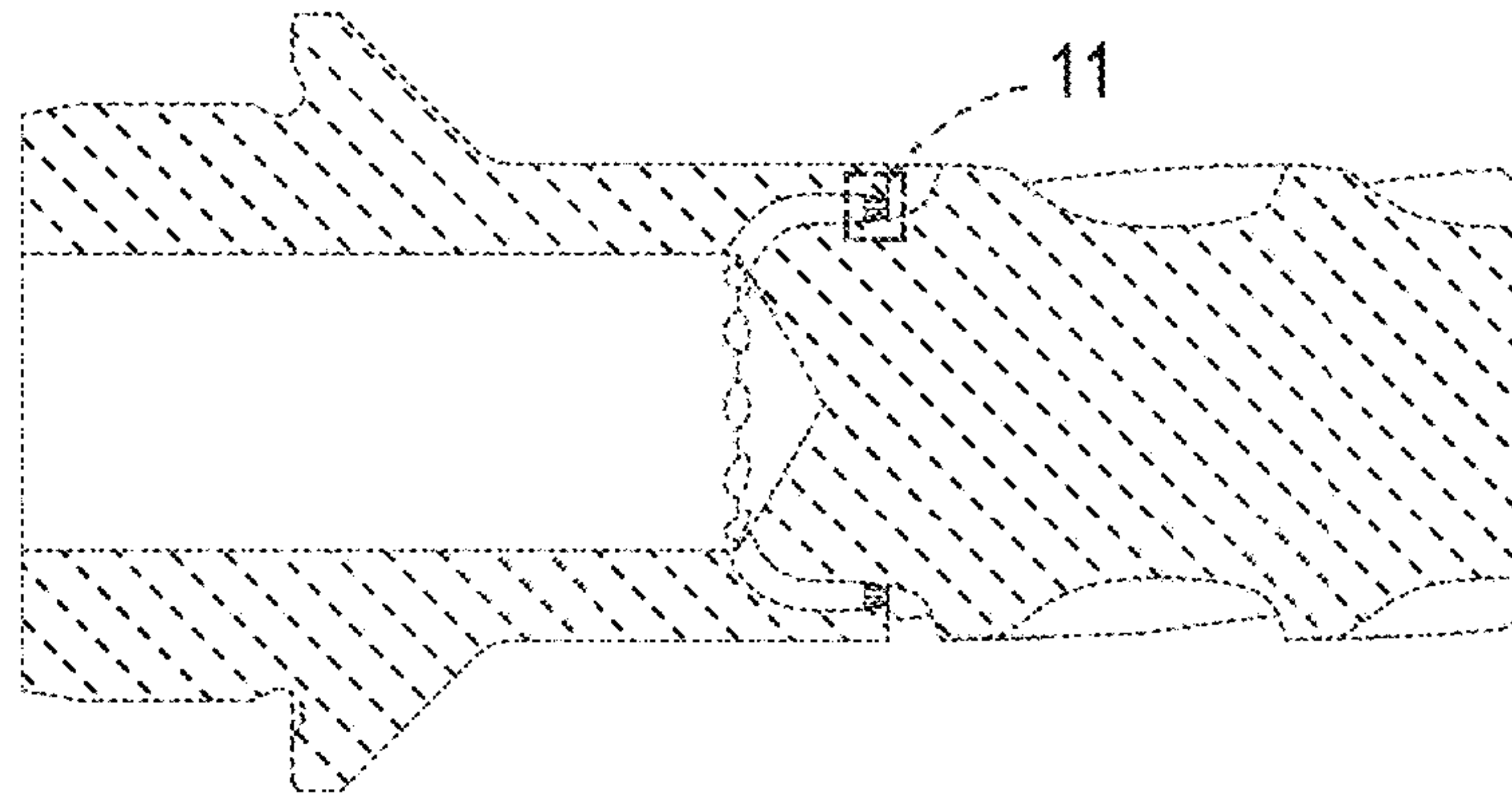


FIG. 10

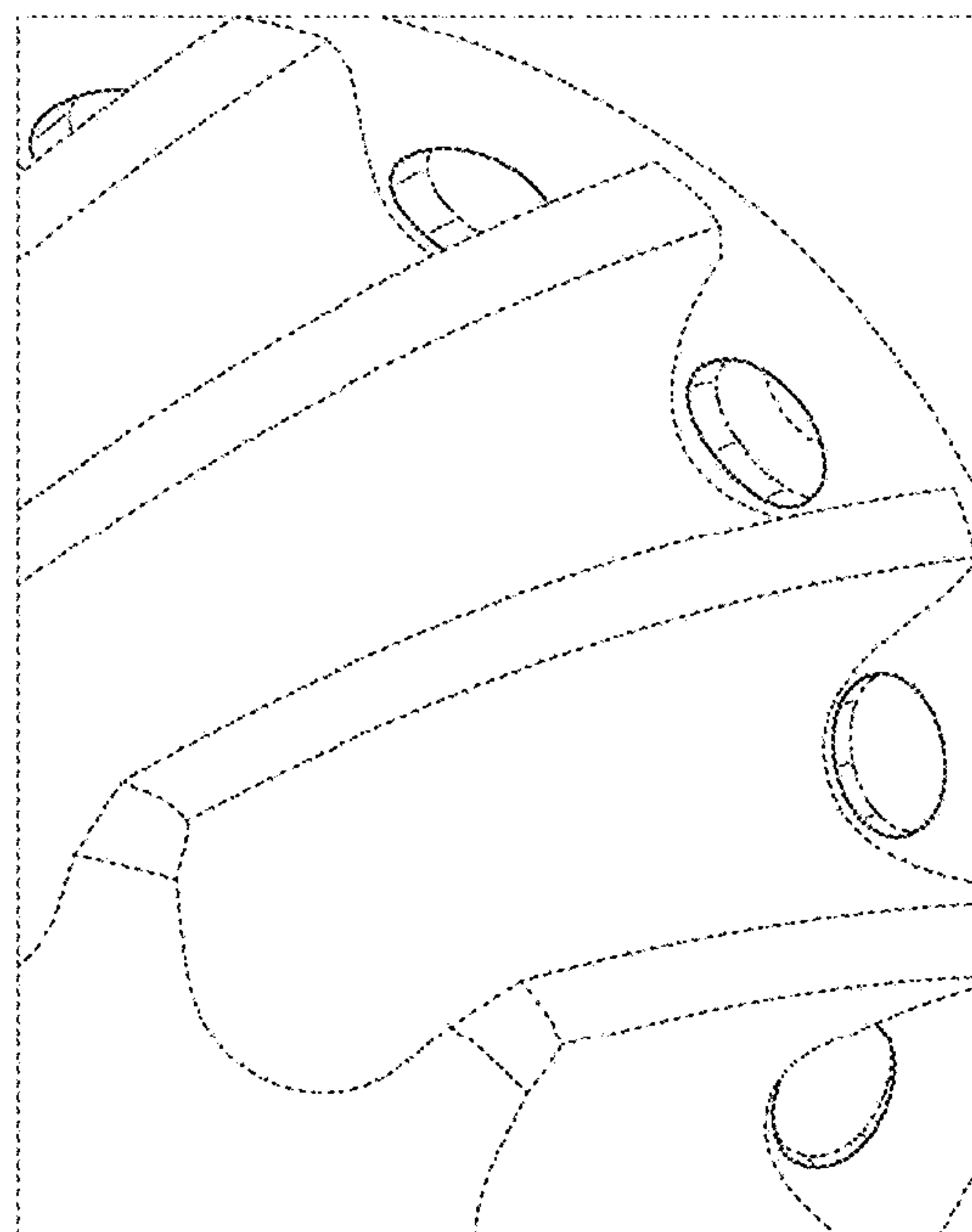


FIG. 11

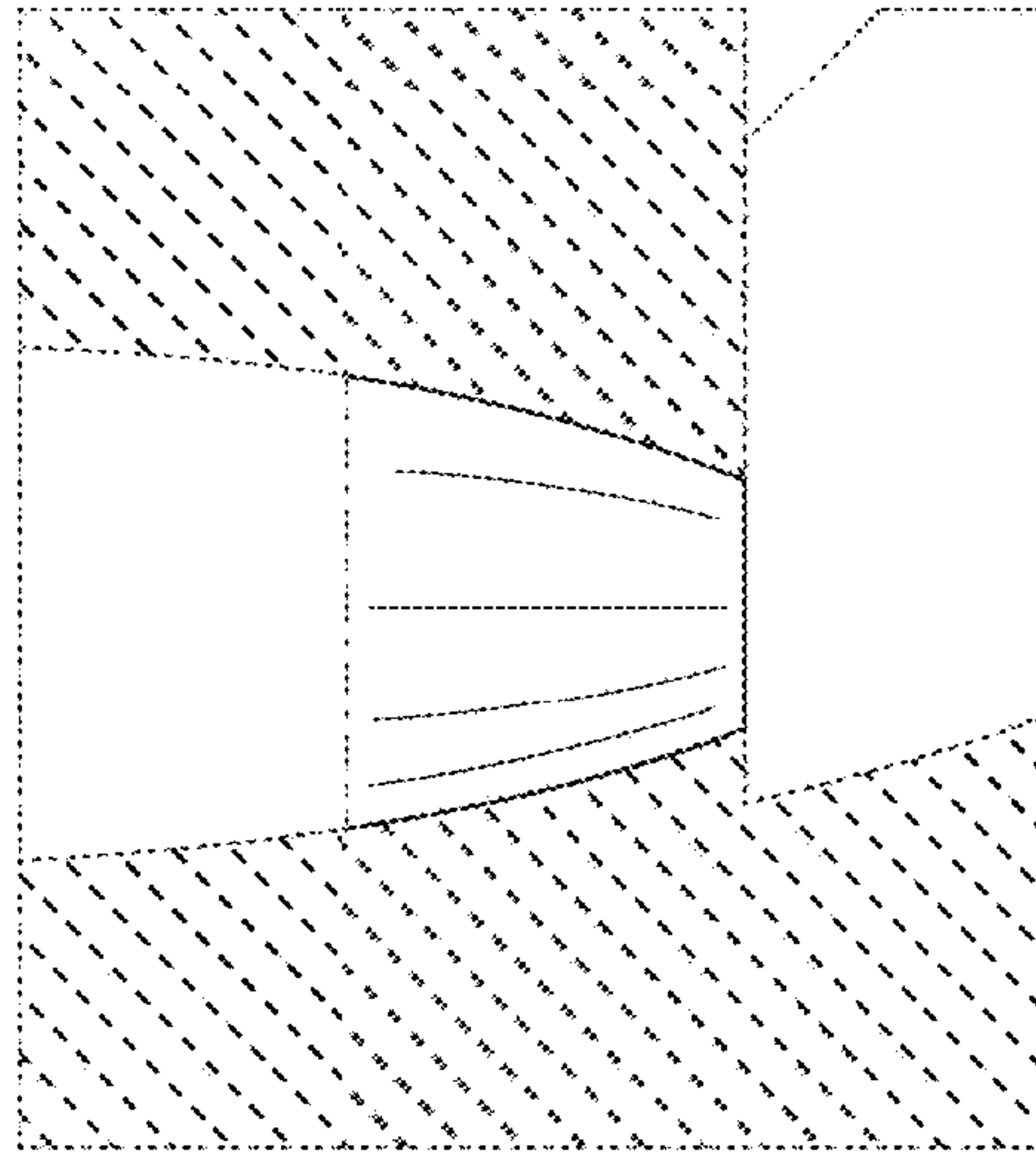


FIG. 12

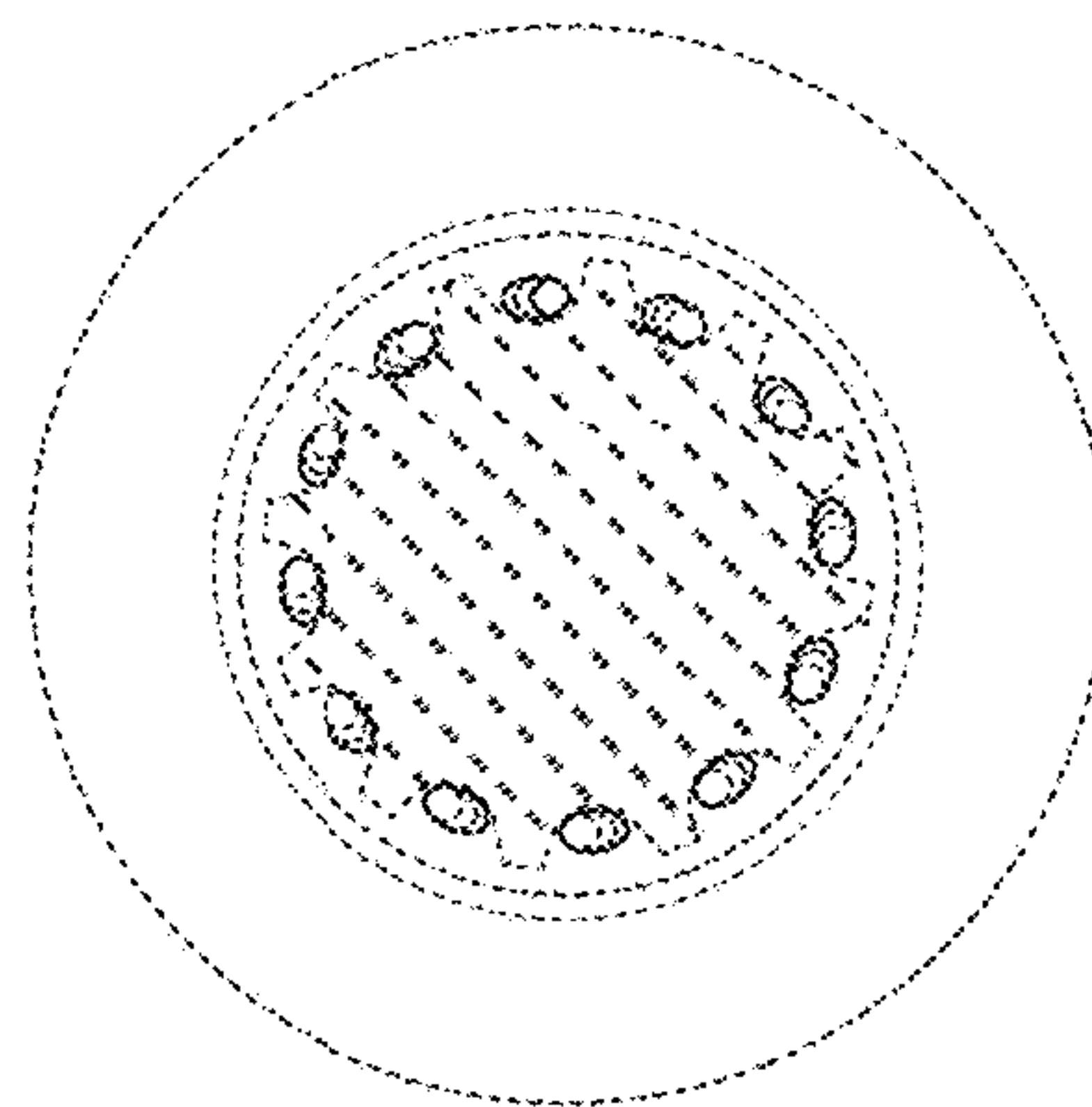


FIG. 13

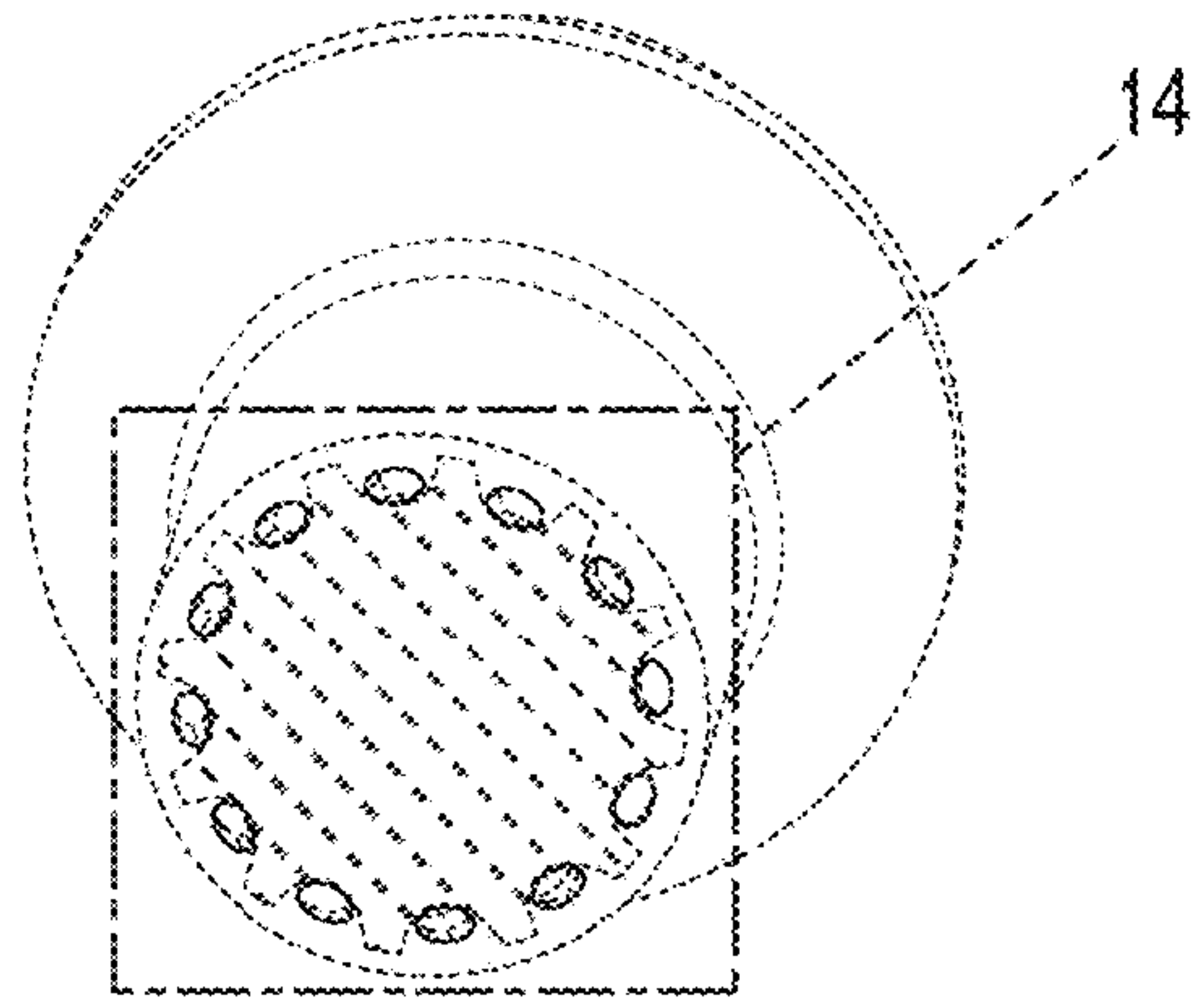


FIG. 14

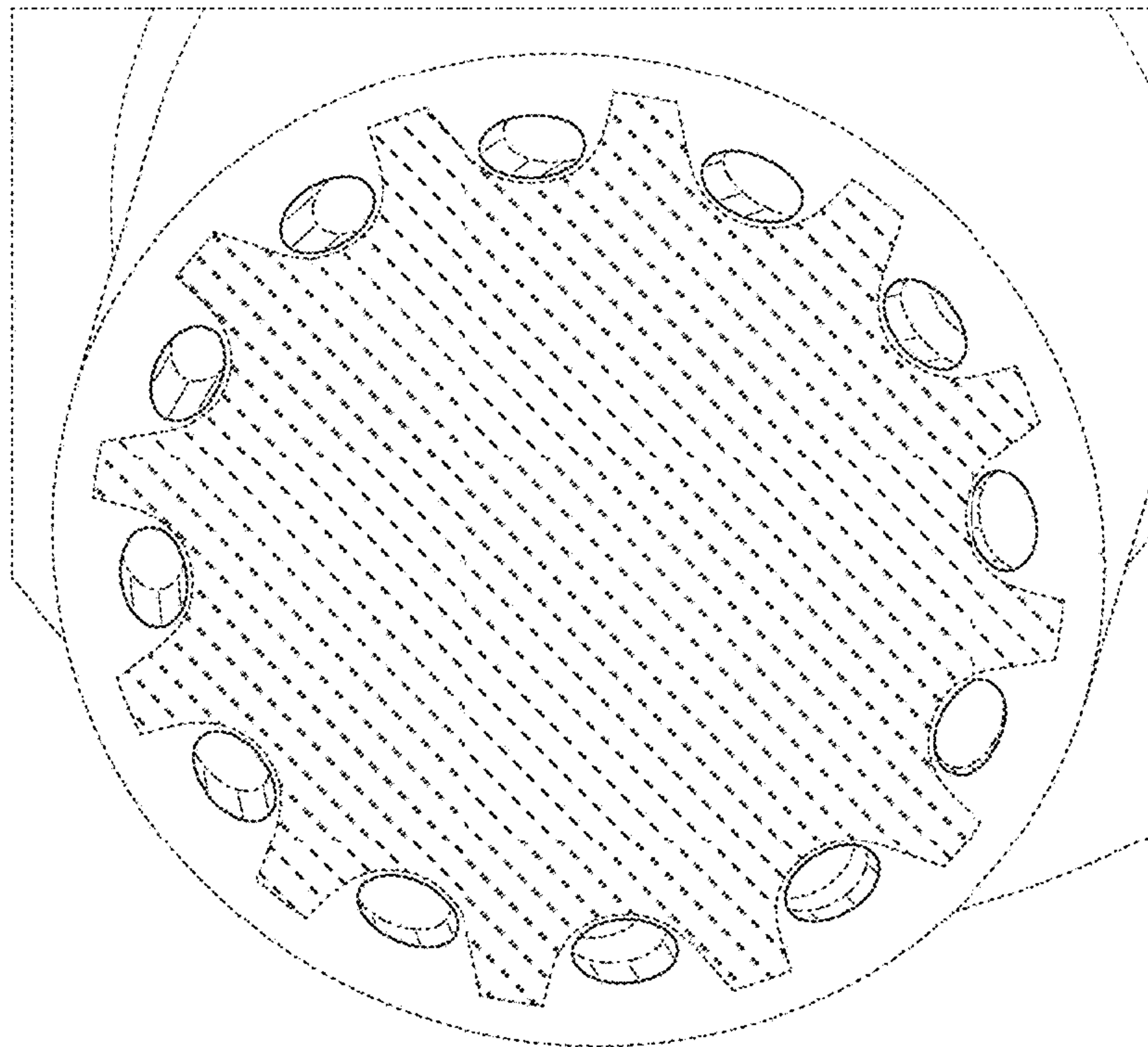


FIG. 15

