



US00D960213S

(12) **United States Design Patent**  
**Karlsson et al.**

(10) **Patent No.:** **US D960,213 S**  
(45) **Date of Patent:** **\*\* Aug. 9, 2022**

- (54) **MILLING CUTTER TOOL**
- (71) Applicant: **SECO TOOLS AB**, Fagersta (SE)
- (72) Inventors: **Kent Karlsson**, Fellingsbro (SE);  
**Rikard Flodman**, Arboga (SE)
- (73) Assignee: **SECO TOOLS AB**, Fagersta (SE)
- (\*\*) Term: **15 Years**
- (21) Appl. No.: **29/689,529**
- (22) Filed: **Apr. 30, 2019**
- (30) **Foreign Application Priority Data**

D582,448 S *	12/2008	Boulakhov	.....	D15/139
7,549,824 B2 *	6/2009	Agic	.....	B23B 27/16 407/42
8,430,607 B2 *	4/2013	Jansson	.....	B23C 5/06 407/113
8,740,508 B2 *	6/2014	Jansson	.....	B23C 5/22 407/40
D717,847 S *	11/2014	Mikado	.....	D15/139
8,985,914 B2 *	3/2015	Jansson	.....	B23C 5/2406 407/36
9,233,426 B2 *	1/2016	Jansson	.....	B23C 5/207
D926,239 S *	7/2021	Flodman	.....	D15/139
D926,846 S *	8/2021	Flodman	.....	D15/139
D926,847 S *	8/2021	Flodman	.....	D15/139
2007/0081873 A1 *	4/2007	Blomstedt	.....	B23C 5/10 409/234
2007/0231088 A1	10/2007	Waggle et al.		
2014/0318873 A1 *	10/2014	Patel	.....	E21B 10/567 175/432

- Jan. 25, 2019 (EM) ..... 006084224
- (51) **LOC (13) Cl.** ..... **15-09**
- (52) **U.S. Cl.**  
USPC ..... **D15/139**
- (58) **Field of Classification Search**  
USPC ..... D8/20, 70, 71; D15/21, 28, 77, 126,  
D15/131-133, 138, 139  
CPC ..... B23C 2200/0494; B23C 2200/086; B23C  
2200/128; B23C 2200/362; B23C  
2210/03; B23C 2210/02; B23B 51/02;  
B23B 51/048; E01C 23/088; Y10T  
407/23; Y10T 409/30952; A01G 23/067;  
B02C 4/305; B02C 7/12; B02C 18/18;  
B02C 13/28; B02C 13/2804; B27G  
13/00; B27G 13/10; E21B 10/08; E21B  
10/43; E21B 10/62; E21B 10/602; E21B  
10/55  
See application file for complete search history.

- (56) **References Cited**  
U.S. PATENT DOCUMENTS  
D351,174 S \* 10/1994 Brady ..... D15/139  
D376,158 S \* 12/1996 Hessman ..... D15/139  
7,252,461 B2 \* 8/2007 Karonen ..... B23B 27/16  
407/113

(Continued)

*Primary Examiner* — Calvin E Vansant  
*Assistant Examiner* — Mark T. Philipps  
(74) *Attorney, Agent, or Firm* — Volpe Koenig

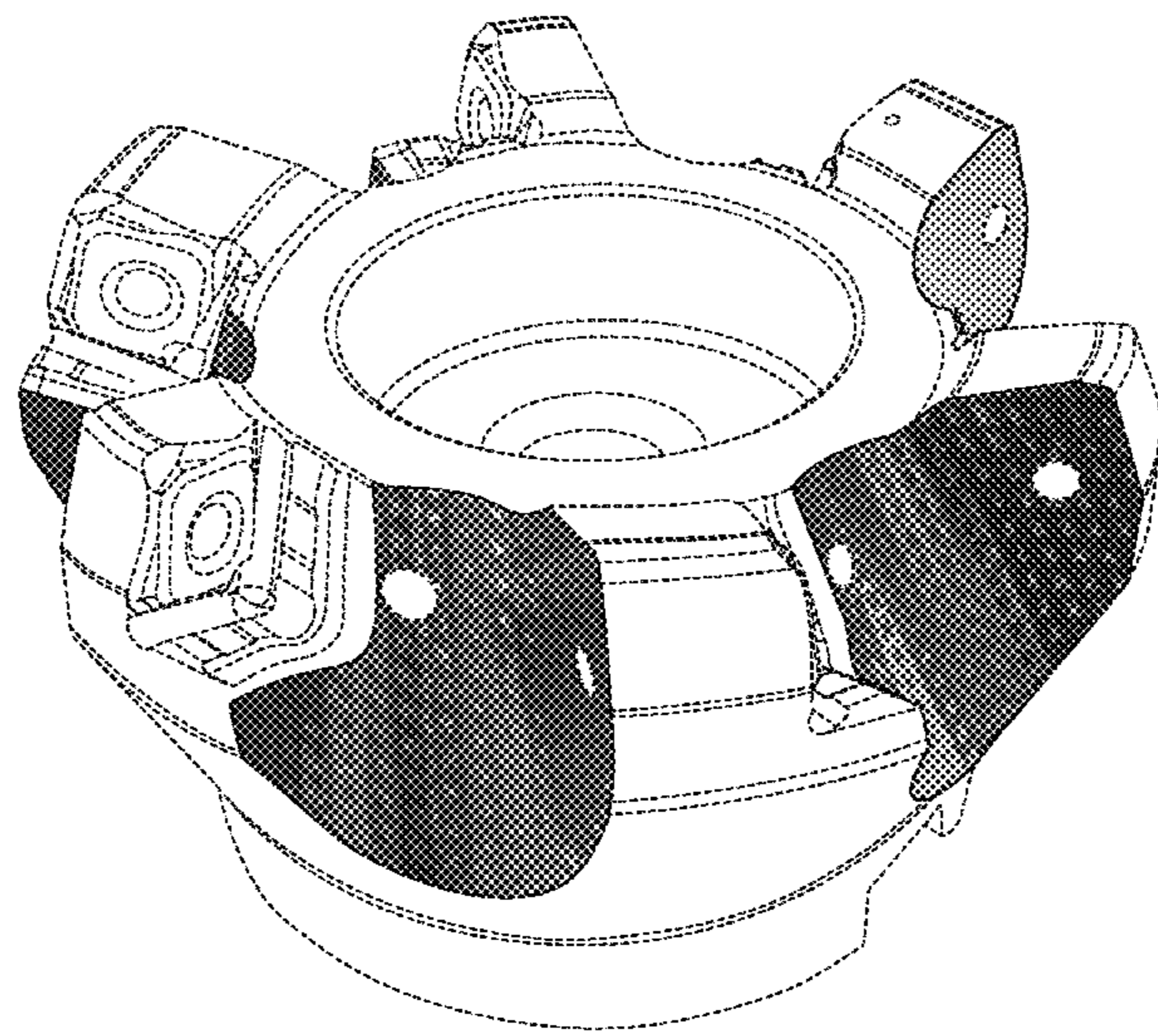
(57) **CLAIM**

We claim the ornamental design for a milling cutter tool, as shown and described.

**DESCRIPTION**

FIG. 1 is a perspective view of a milling cutter tool in accordance with our design;  
FIG. 2 is a top plan view thereof;  
FIG. 3 is a front elevational view thereof;  
FIG. 4 is a right side elevational view thereof;  
FIG. 5 is a left side elevational view thereof;  
FIG. 6 is a rear elevational view thereof; and,  
FIG. 7 is a bottom plan view thereof.  
The broken lines represent portions of the milling cutter tool in which the design is embodied that form no part of the claimed design.

**1 Claim, 7 Drawing Sheets**



(56)

**References Cited**

U.S. PATENT DOCUMENTS

2021/0237176 A1\* 8/2021 Flodman ..... B23C 5/006

\* cited by examiner

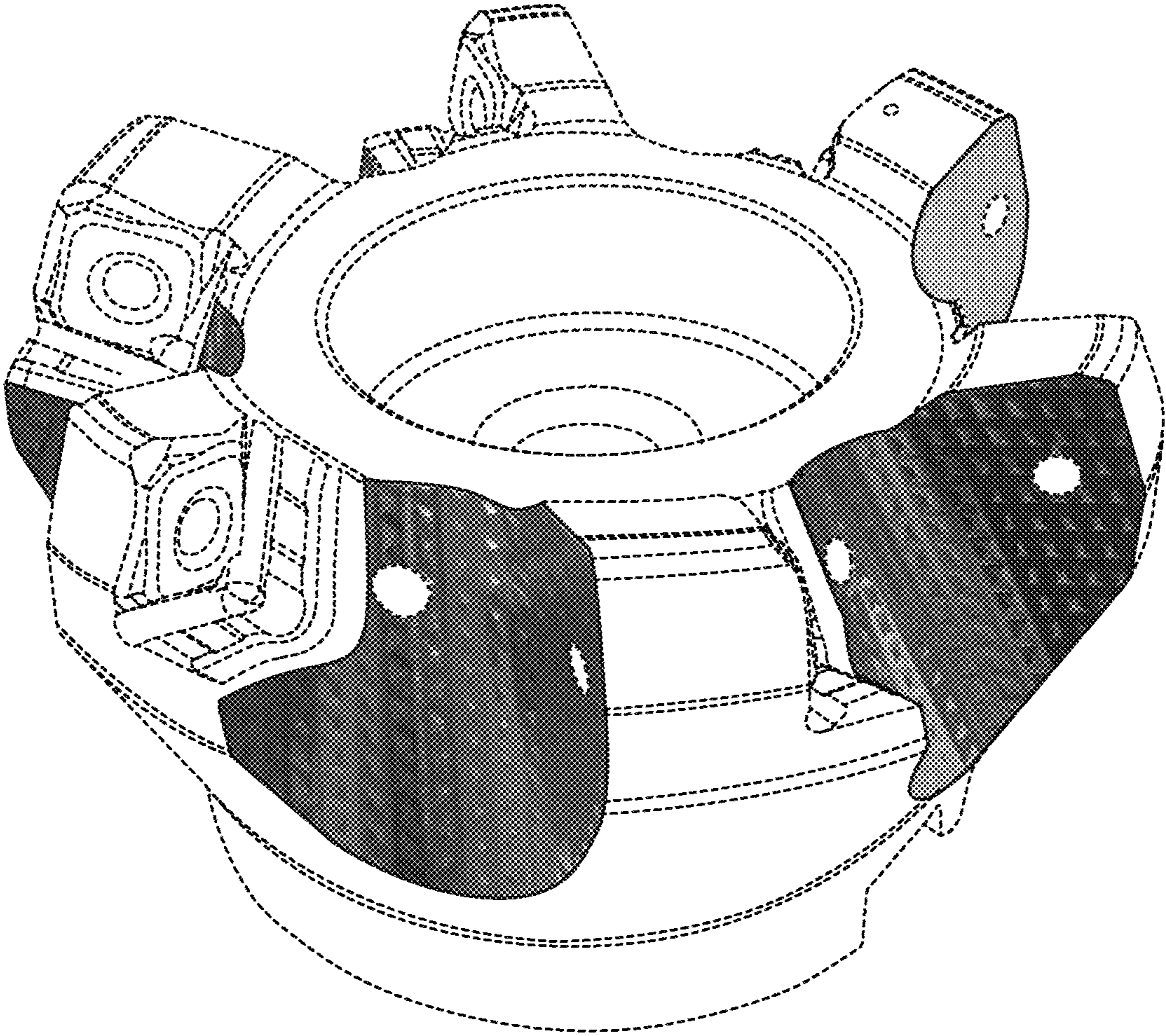


Fig. 1

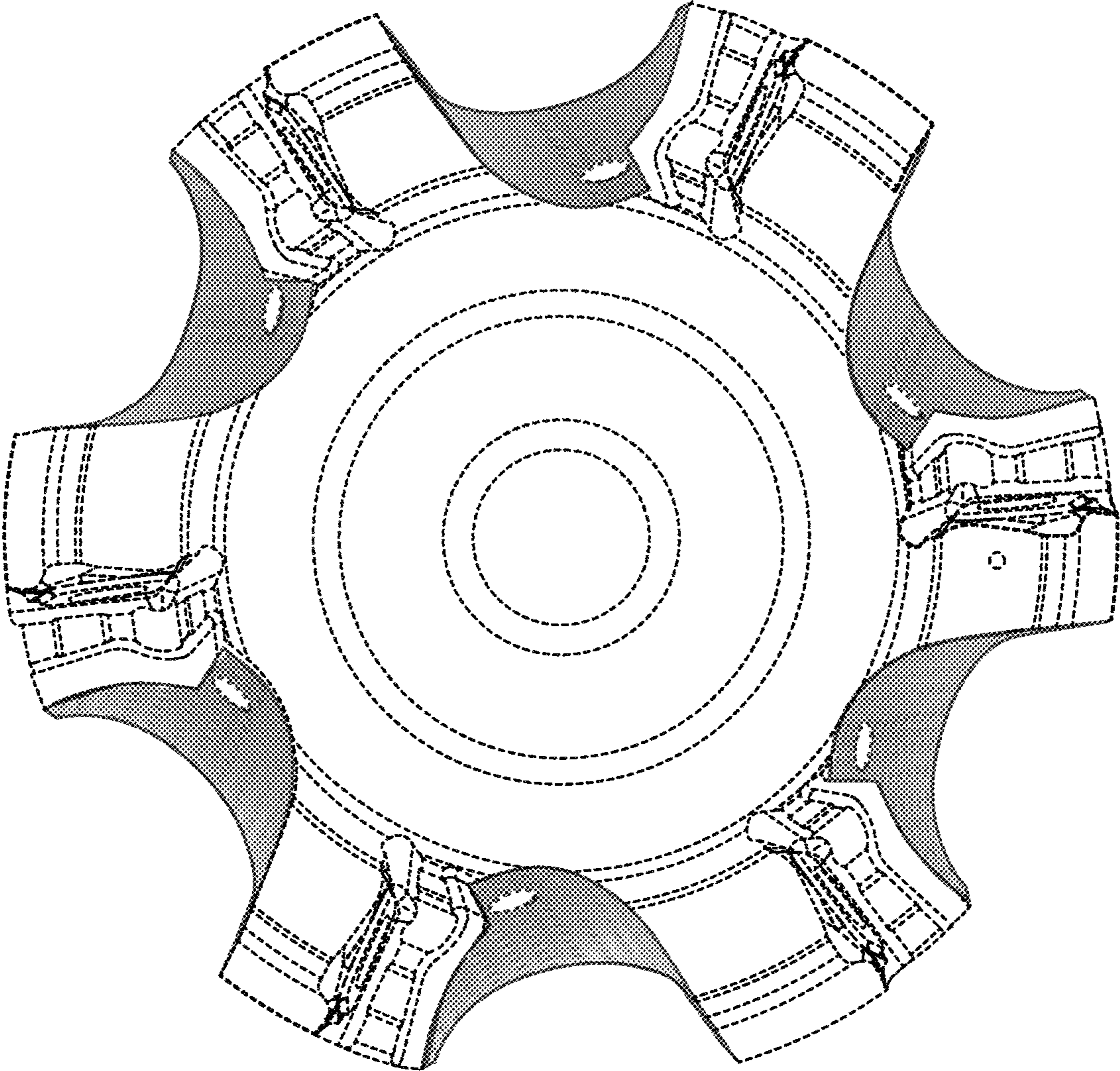
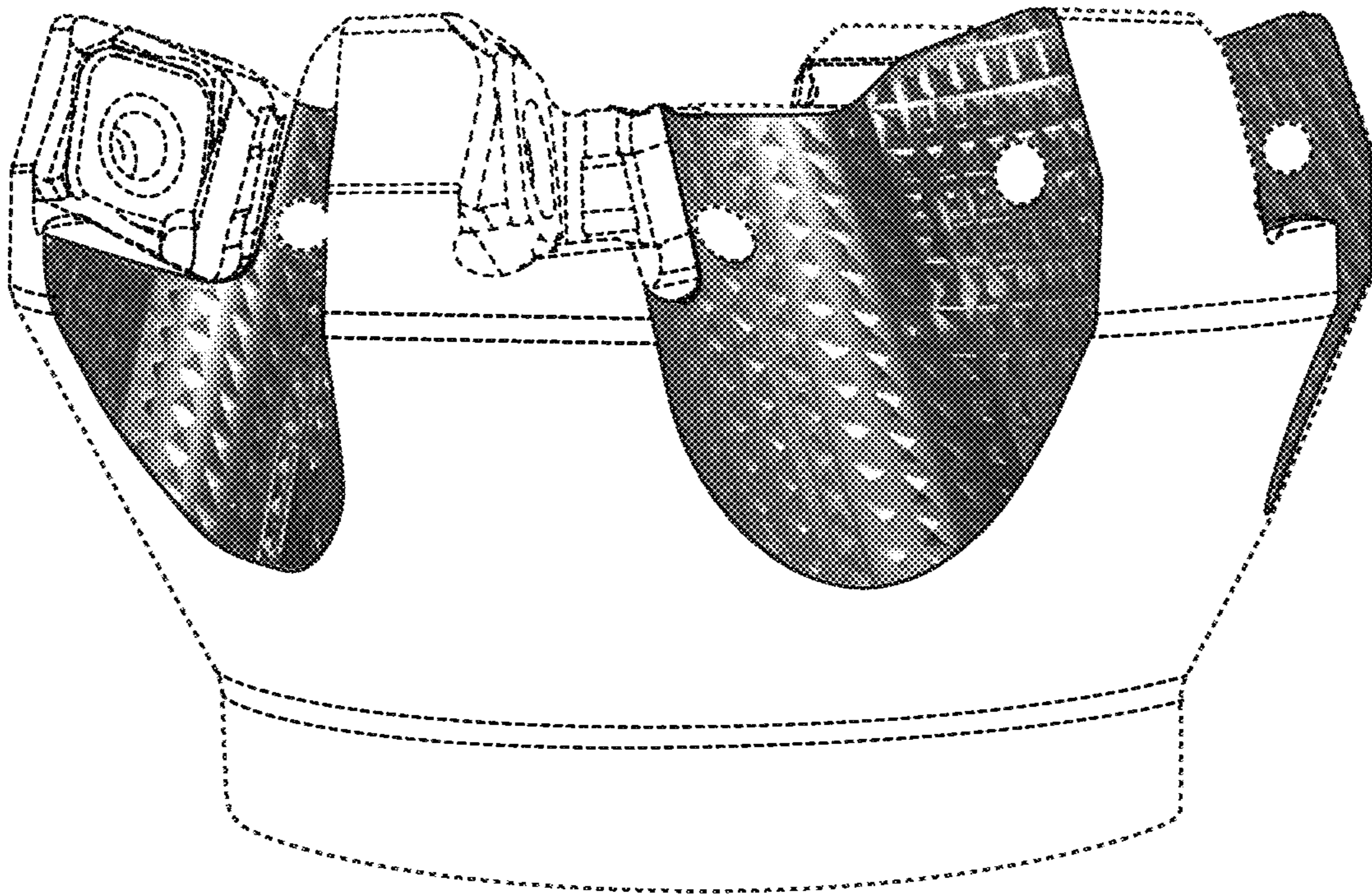
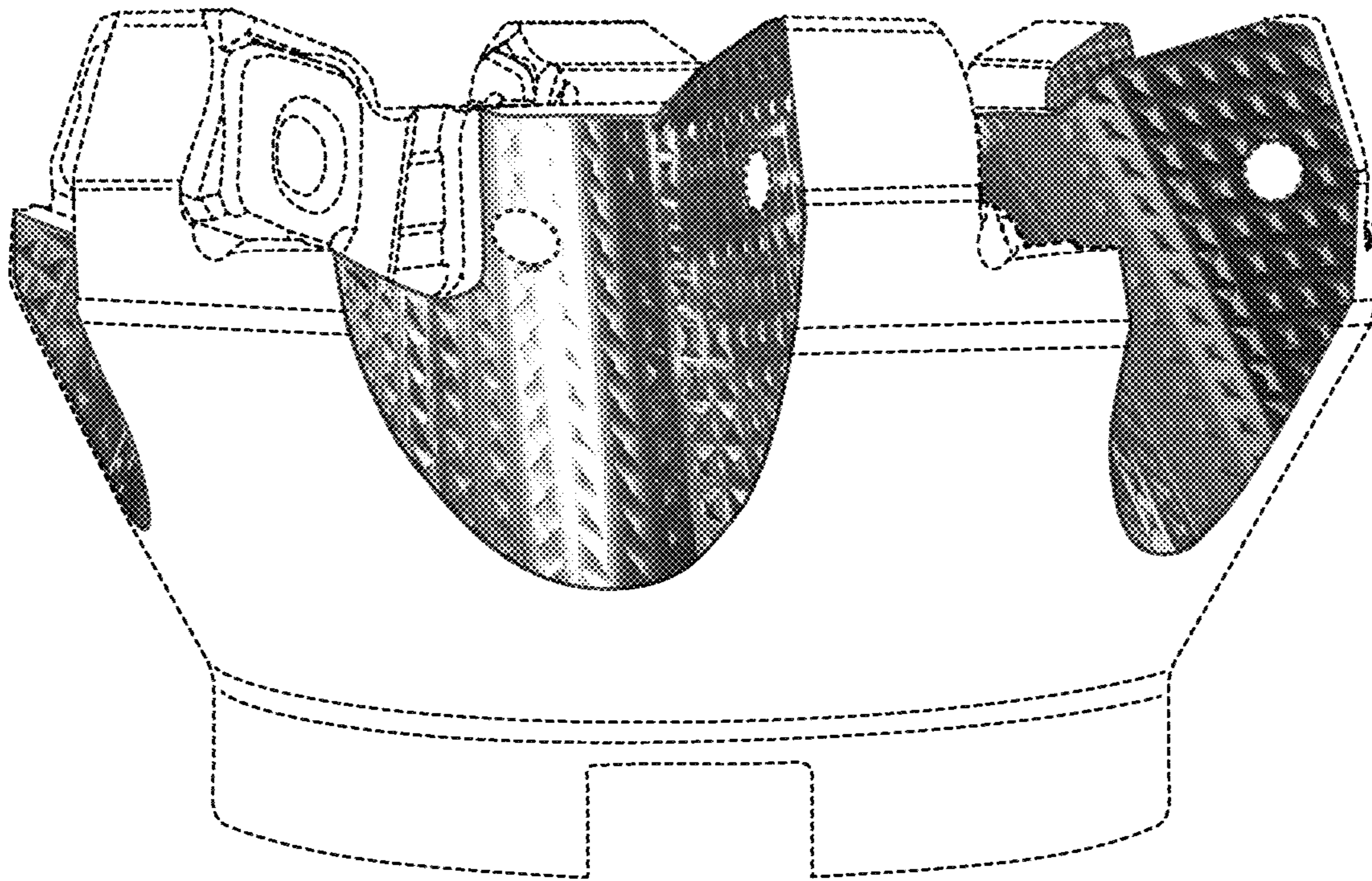


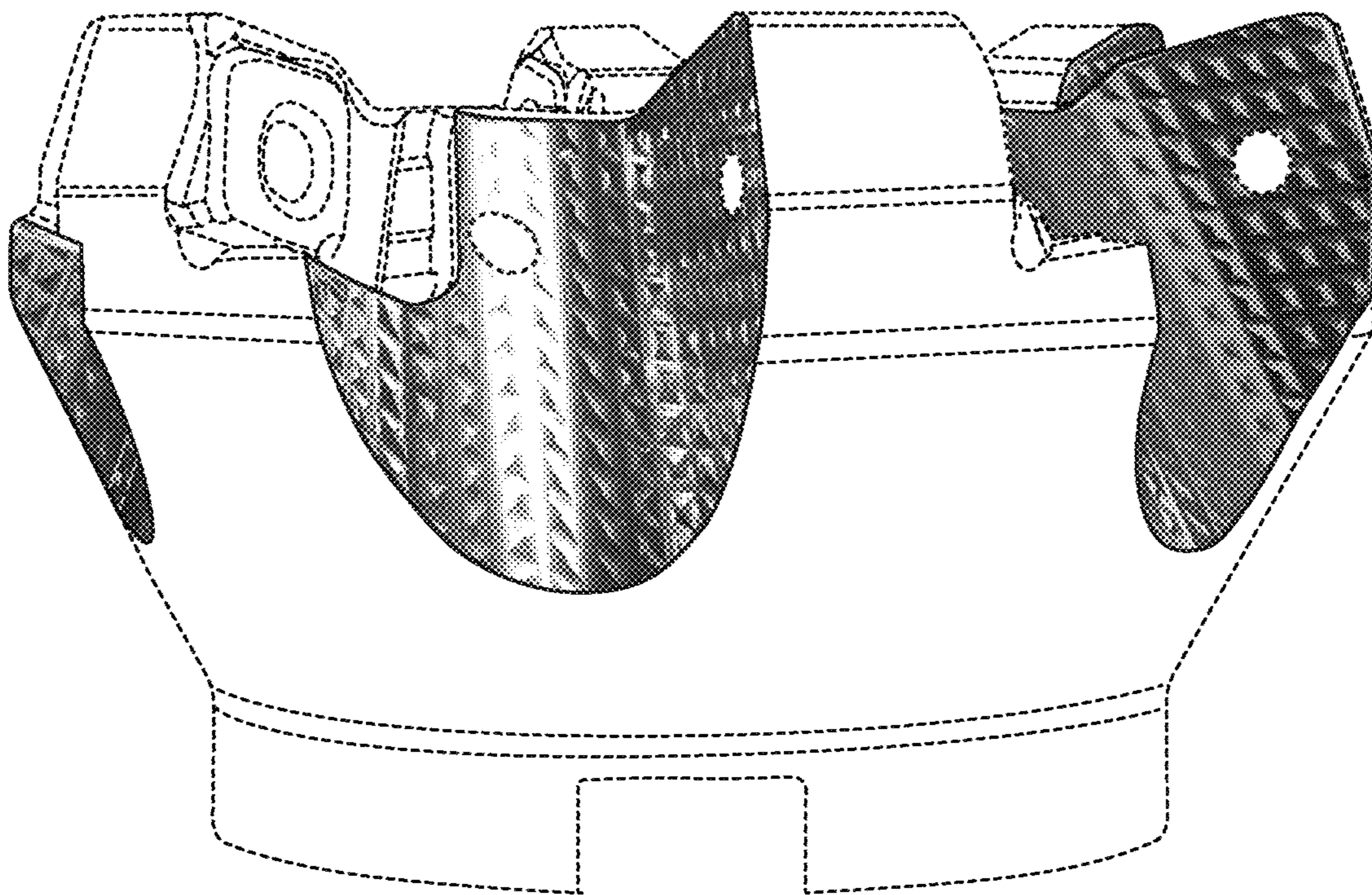
Fig. 2



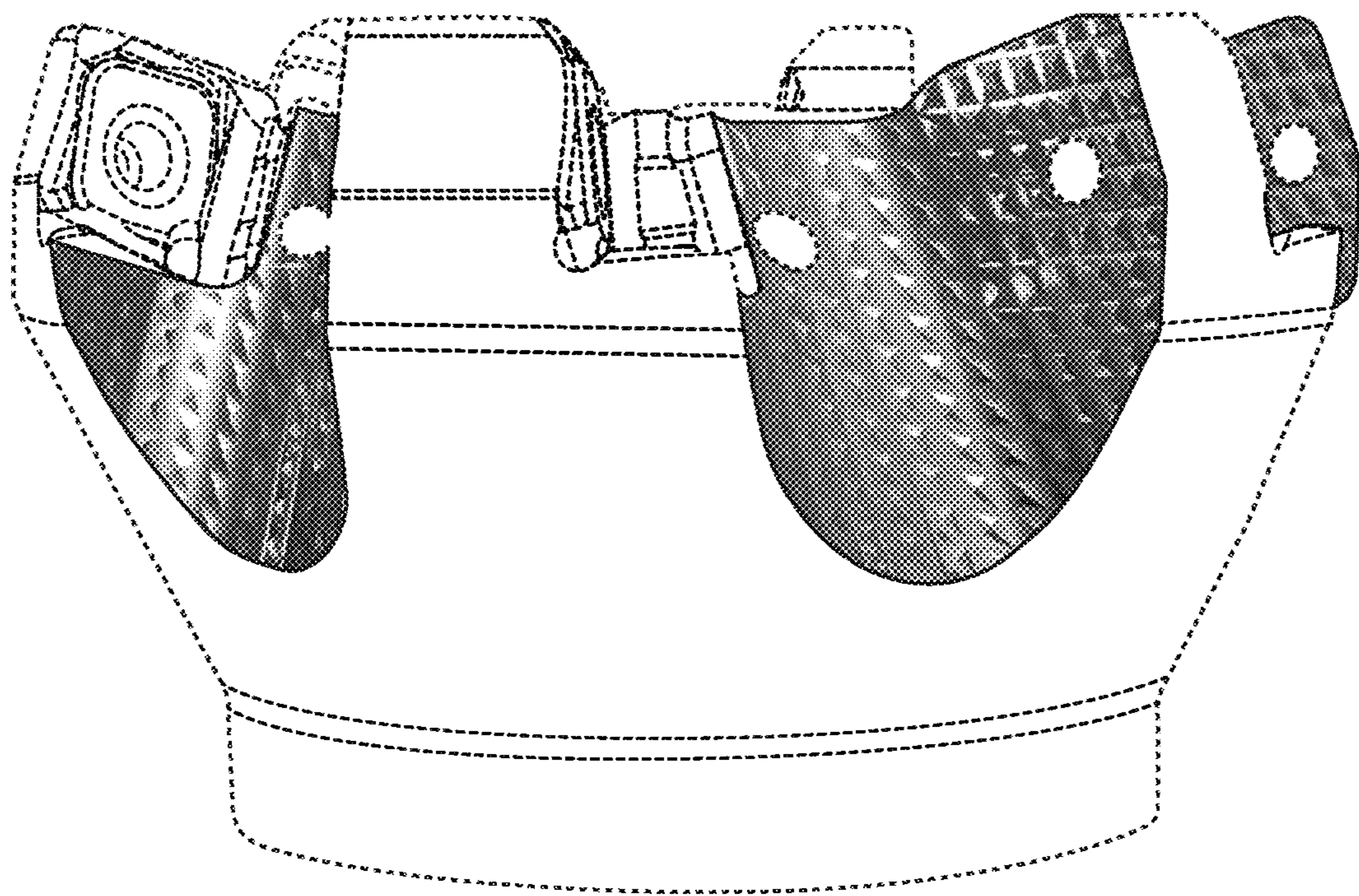
*Fig. 3*



*Fig. 4*

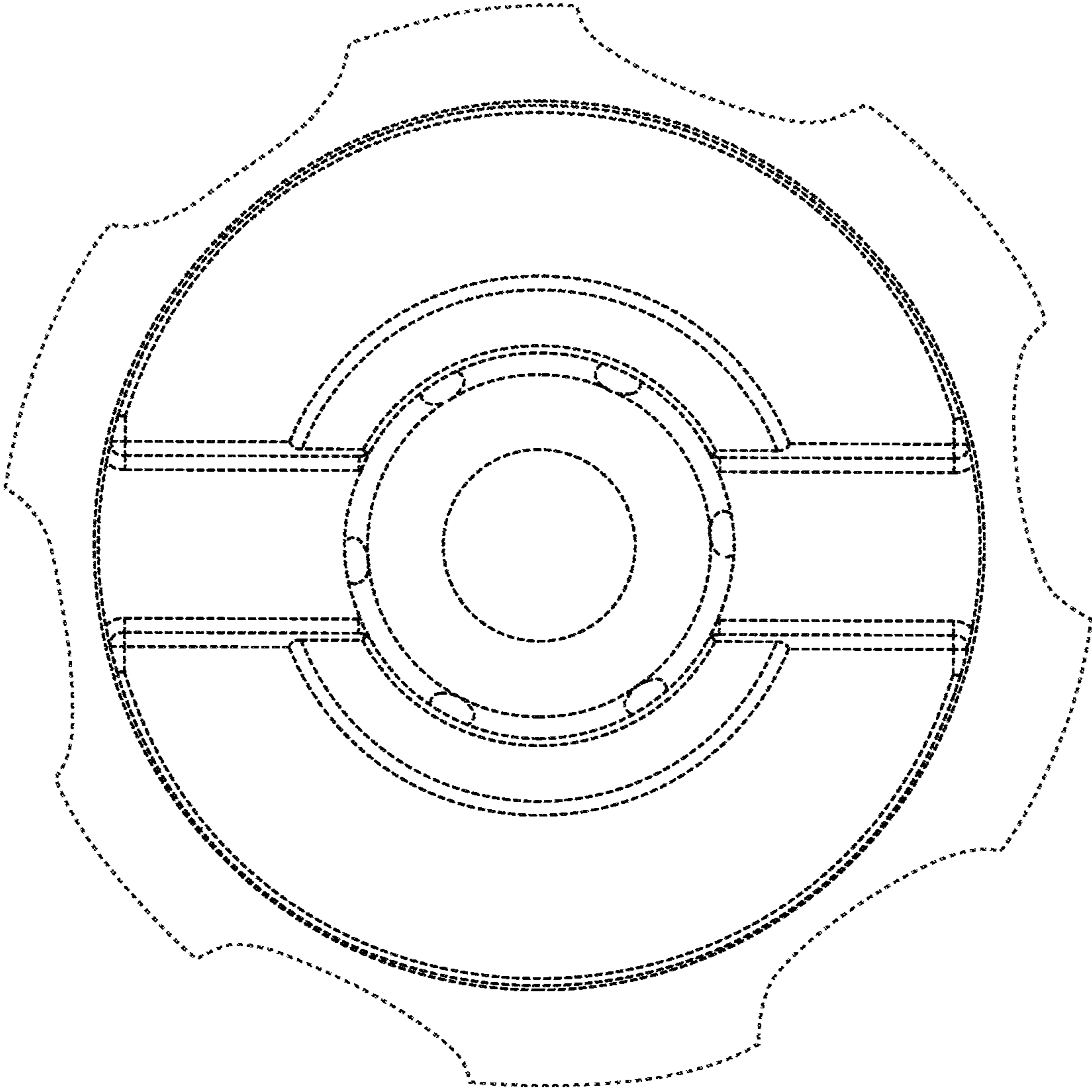


*Fig. 5*



*Fig. 6*





*Fig. 7*