



US00D960211S

(12) **United States Design Patent** (10) **Patent No.:** **US D960,211 S**  
**Suchman et al.** (45) **Date of Patent:** **\*\* Aug. 9, 2022**

- (54) **DEBRIS CONTAINER**
- (71) Applicant: **iRobot Corporation**, Bedford, MA (US)
- (72) Inventors: **Jason Jeffrey Suchman**, Arlington, MA (US); **Douglas Dell’Accio**, Boston, MA (US); **Andrew Vincent Wolff**, Norfolk, MA (US); **Flavia Pastore**, Wakefield, MA (US)
- (73) Assignee: **iRobot Corporation**, Bedford, MA (US)
- (\*\*) Term: **15 Years**
- (21) Appl. No.: **29/811,496**
- (22) Filed: **Oct. 14, 2021**

**Related U.S. Application Data**

- (63) Continuation of application No. 29/741,453, filed on Jul. 13, 2020, now Pat. No. Des. 934,314, which is a continuation of application No. 29/646,577, filed on May 4, 2018, now Pat. No. Des. 890,231.
- (51) **LOC (13) Cl.** ..... **15-09**
- (52) **U.S. Cl.**  
USPC ..... **D15/122**
- (58) **Field of Classification Search**  
USPC ..... D15/122, 132, 138, 199; D32/31, 35  
CPC ..... A01G 20/43; B08B 15/002; E01H 1/0836  
See application file for complete search history.

**References Cited**

**U.S. PATENT DOCUMENTS**

- 1,827,496 A \* 10/1931 Vanderwilt ..... A47L 9/149  
55/366
- D94,196 S \* 1/1935 Frantz ..... D32/30
- 2,161,935 A \* 6/1939 Roberts ..... A47G 23/0241  
215/12.1
- 2,426,475 A \* 8/1947 Van Frank ..... F25D 7/00  
62/316

- 2,464,069 A \* 3/1949 Benson ..... B65D 23/104  
206/466
- 2,831,948 A \* 4/1958 Fraser ..... H02B 1/048  
200/295
- 3,082,900 A \* 3/1963 Goodman ..... B65D 1/265  
220/592.17

(Continued)

**FOREIGN PATENT DOCUMENTS**

JP 2011-041619 3/2011

**OTHER PUBLICATIONS**

[No Author Listed] “Bosch Part#462544—Genuine Type G MEGA Tilt SuperTex Vacuum Bag (BBZ51AFG2U)—Fits Bosch Compact Series and Formula Series Vacuums—5/Package,” Dec. 29, 2011, retrieved on May 10, 2018, retrieved from URL <<https://www.amazon.com/Bosch-Part-462544-MEGAfilt-BBZ51AFG2U/dp/B000UM2ENE/>>, 8 pages.

(Continued)

*Primary Examiner* — Patricia A Palasik

(74) *Attorney, Agent, or Firm* — Fish & Richardson P.C.

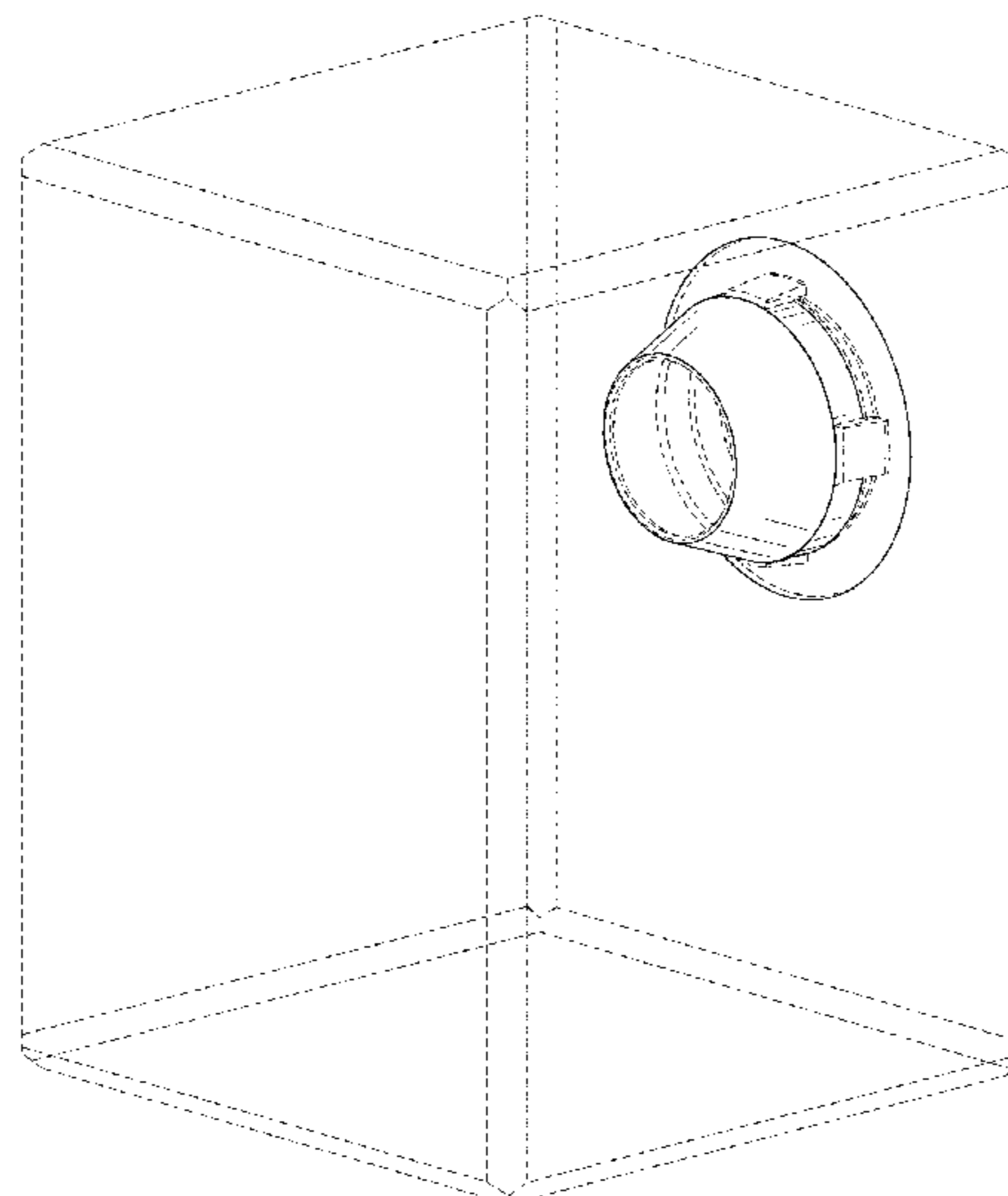
(57) **CLAIM**

The ornamental design for a debris container, substantially as shown and described.

**DESCRIPTION**

FIG. 1 is a perspective view of the debris container.  
FIG. 2 is a front view thereof.  
FIG. 3 is a back view thereof.  
FIG. 4 is right side view thereof.  
FIG. 5 is left side view thereof.  
FIG. 6 is top view thereof; and,  
FIG. 7 is bottom view thereof.  
The broken lines illustrate environmental features that form no part of the claimed design.

**1 Claim, 7 Drawing Sheets**



(56)

References Cited

U.S. PATENT DOCUMENTS

3,327,937 A \* 6/1967 Casady ..... A47L 9/14  
232/43.2  
3,722,808 A \* 3/1973 Brown ..... B65H 54/543  
242/573  
3,908,523 A \* 9/1975 Shikaya ..... B65D 3/22  
493/111  
4,097,380 A \* 6/1978 Carlson ..... C02F 3/046  
210/170.08  
D250,784 S \* 1/1979 Dieter ..... 472/116  
4,180,190 A \* 12/1979 Flaum ..... B68G 7/06  
223/43  
4,268,567 A \* 5/1981 Harmony ..... B29C 63/06  
150/901  
D269,106 S \* 5/1983 Brown ..... D21/819  
4,402,195 A \* 9/1983 Campbell ..... A47G 19/2227  
215/12.1  
4,488,883 A \* 12/1984 Philp ..... A47L 9/127  
55/311  
4,560,176 A \* 12/1985 Hoff ..... F16J 15/184  
277/505  
4,570,454 A \* 2/1986 Campbell ..... A47G 19/2227  
215/13.1  
D288,373 S \* 2/1987 Alanis ..... D32/31  
5,180,162 A \* 1/1993 Browne ..... A63B 57/357  
473/176  
D344,317 S \* 2/1994 Petersheim ..... D21/821  
5,581,842 A \* 12/1996 Seith ..... A47L 9/1427  
15/347  
5,688,298 A \* 11/1997 Bosses ..... A47L 9/1454  
15/350  
5,690,711 A \* 11/1997 Bosses ..... B01D 46/02  
55/380  
6,076,226 A 6/2000 Reed  
6,158,612 A \* 12/2000 Alpert ..... A47G 23/0216  
220/662  
6,389,329 B1 5/2002 Colens  
6,409,608 B1 \* 6/2002 Garske ..... A63B 57/357  
473/175  
D476,587 S \* 7/2003 Carter ..... D10/103  
6,748,297 B2 6/2004 Song et al.  
7,031,805 B2 4/2006 Lee et al.  
7,055,210 B2 6/2006 Keppler et al.  
D524,497 S \* 7/2006 Bruneau ..... D32/31  
D532,071 S \* 11/2006 VanDeusen ..... D21/814  
D536,091 S \* 1/2007 Biener ..... D24/110.1  
D576,365 S \* 9/2008 Wishney ..... A47L 9/1427  
D32/32  
D577,117 S \* 9/2008 Biener ..... D24/110.1  
D580,849 S \* 11/2008 Burger ..... D24/216  
D584,787 S \* 1/2009 Brittingham ..... D24/216  
D585,518 S \* 1/2009 Brittingham ..... D32/32  
D596,465 S \* 7/2009 Faulkner ..... B01D 46/02  
55/380  
D597,264 S \* 7/2009 Hsieh ..... A47L 7/04  
55/376  
7,615,109 B2 \* 11/2009 Sepke ..... A47L 7/04  
55/376

D613,854 S \* 4/2010 Young ..... A47L 9/1427  
15/347  
D645,561 S \* 9/2011 Herrmann ..... A47L 9/14  
232/43.2  
8,092,562 B2 1/2012 Sauer et al.  
8,167,165 B1 \* 5/2012 Peterson ..... A47G 19/2227  
215/12.1  
D661,902 S \* 6/2012 Italiano ..... A47G 19/2227  
215/13.1  
8,528,157 B2 9/2013 Schnittman et al.  
D692,160 S \* 10/2013 Judson ..... F16J 15/184  
D24/216  
D714,461 S \* 9/2014 Judson ..... C02F 3/046  
D24/216  
9,027,199 B2 5/2015 Jung et al.  
D762,422 S \* 8/2016 Coplin ..... D10/103  
9,462,920 B1 10/2016 Morin et al.  
D890,231 S \* 7/2020 Suchman ..... D15/122  
D893,561 S \* 8/2020 Suchman ..... D15/122  
D893,562 S \* 8/2020 Suchman ..... D15/122  
D930,053 S \* 9/2021 Suchman ..... D15/122  
D934,314 S \* 10/2021 Suchman ..... D15/122  
2002/0104845 A1 \* 8/2002 Beuke ..... B65D 81/3876  
220/739  
2002/0179617 A1 \* 12/2002 Barthlow ..... A47G 23/0216  
220/739  
2003/0182908 A1 \* 10/2003 Zimet ..... A47L 9/1427  
55/374  
2004/0163205 A1 8/2004 Albert et al.  
2005/0072475 A1 4/2005 Seo  
2005/0150519 A1 7/2005 Keppler et al.  
2006/0278087 A1 \* 12/2006 Sepke ..... A47L 7/04  
96/223  
2007/0074367 A1 \* 4/2007 Bosses ..... A47L 9/1427  
15/352  
2007/0113528 A1 \* 5/2007 Knuth ..... A47L 9/1427  
55/472  
2007/0138188 A1 \* 6/2007 Mace ..... B31D 5/0086  
220/739  
2007/0226949 A1 10/2007 Hahm et al.  
2008/0201895 A1 8/2008 Kim et al.  
2008/0235897 A1 10/2008 Kim et al.  
2009/0049640 A1 2/2009 Lee et al.  
2009/0257688 A1 10/2009 Calvo  
2010/0252190 A1 \* 10/2010 Iagulli ..... A47L 9/127  
55/311  
2011/0126377 A1 \* 6/2011 Bosses ..... B68G 7/06  
223/43  
2012/0011677 A1 1/2012 Jung et al.  
2012/0304415 A1 \* 12/2012 Bosses ..... B65H 54/543  
242/573  
2013/0298350 A1 11/2013 Schnittman et al.  
2016/0166126 A1 6/2016 Morin et al.  
2016/0183752 A1 6/2016 Morin et al.

OTHER PUBLICATIONS

[No Author Listed] "Staubaugerbeutel Von Kobold," retrieved on May 10, 2018, retrieved from URL <<https://kobold.vorwerk.de/staubaugerbeutel/>>, 49 pages (English Translation).

\* cited by examiner

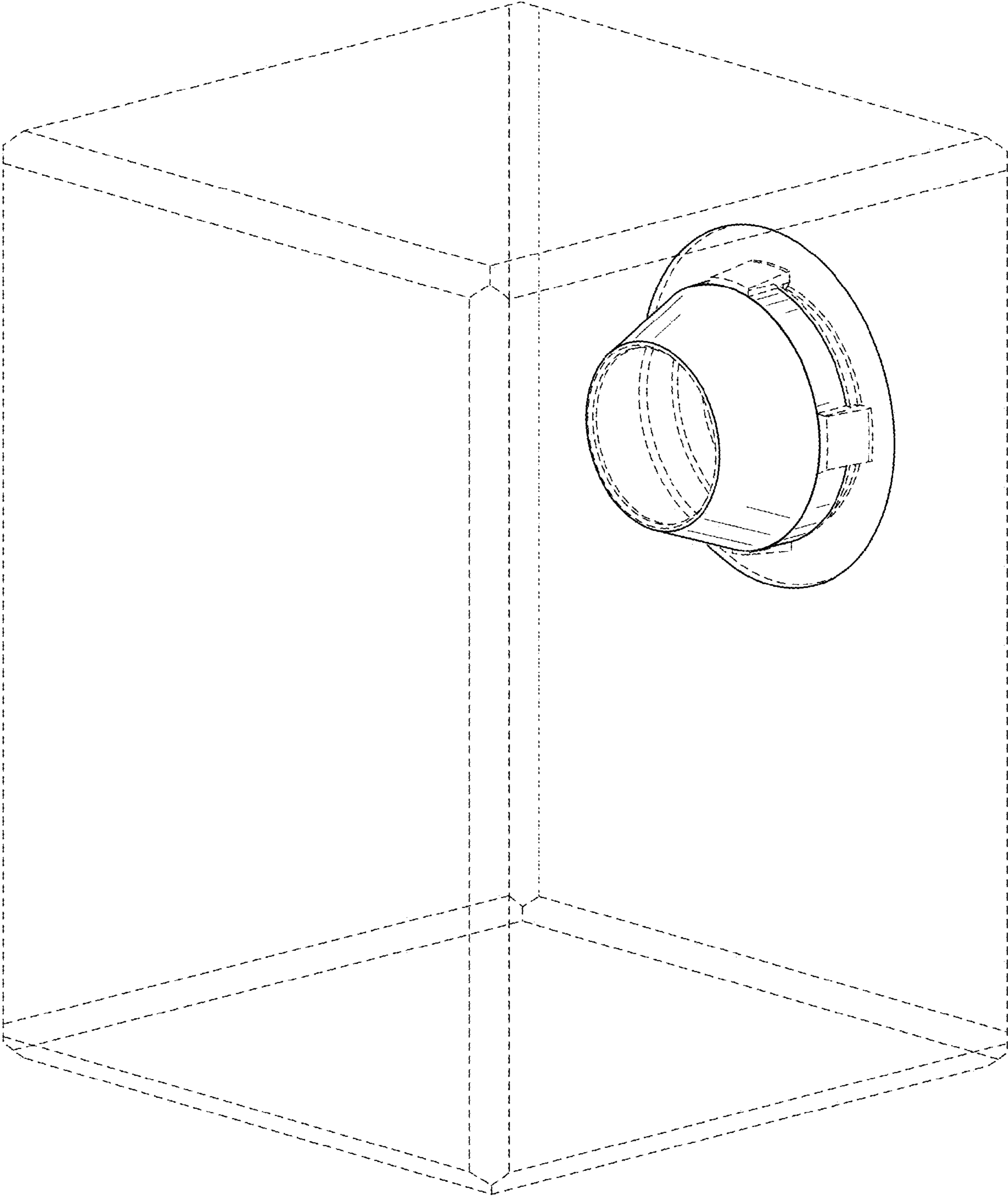


FIG. 1

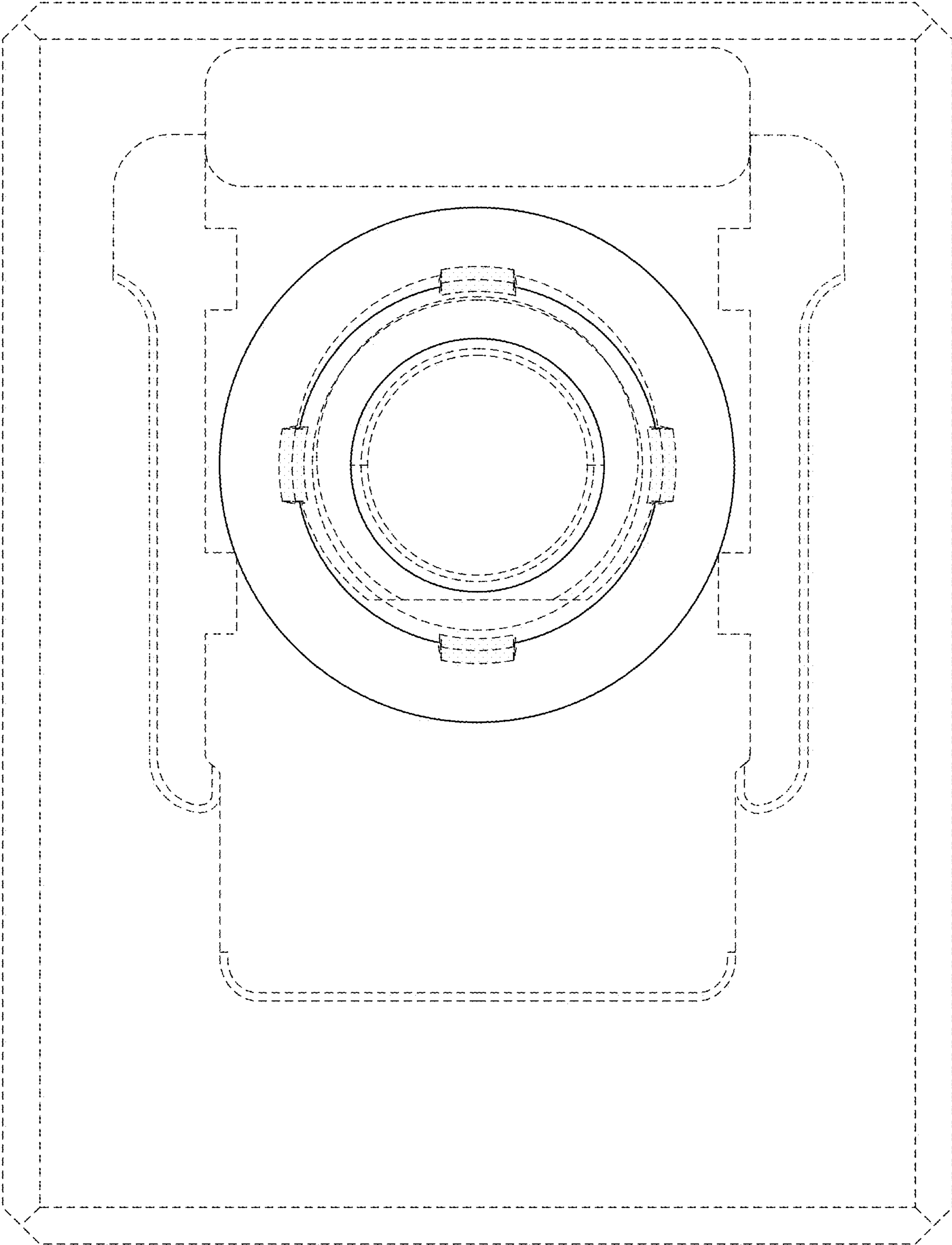


FIG. 2

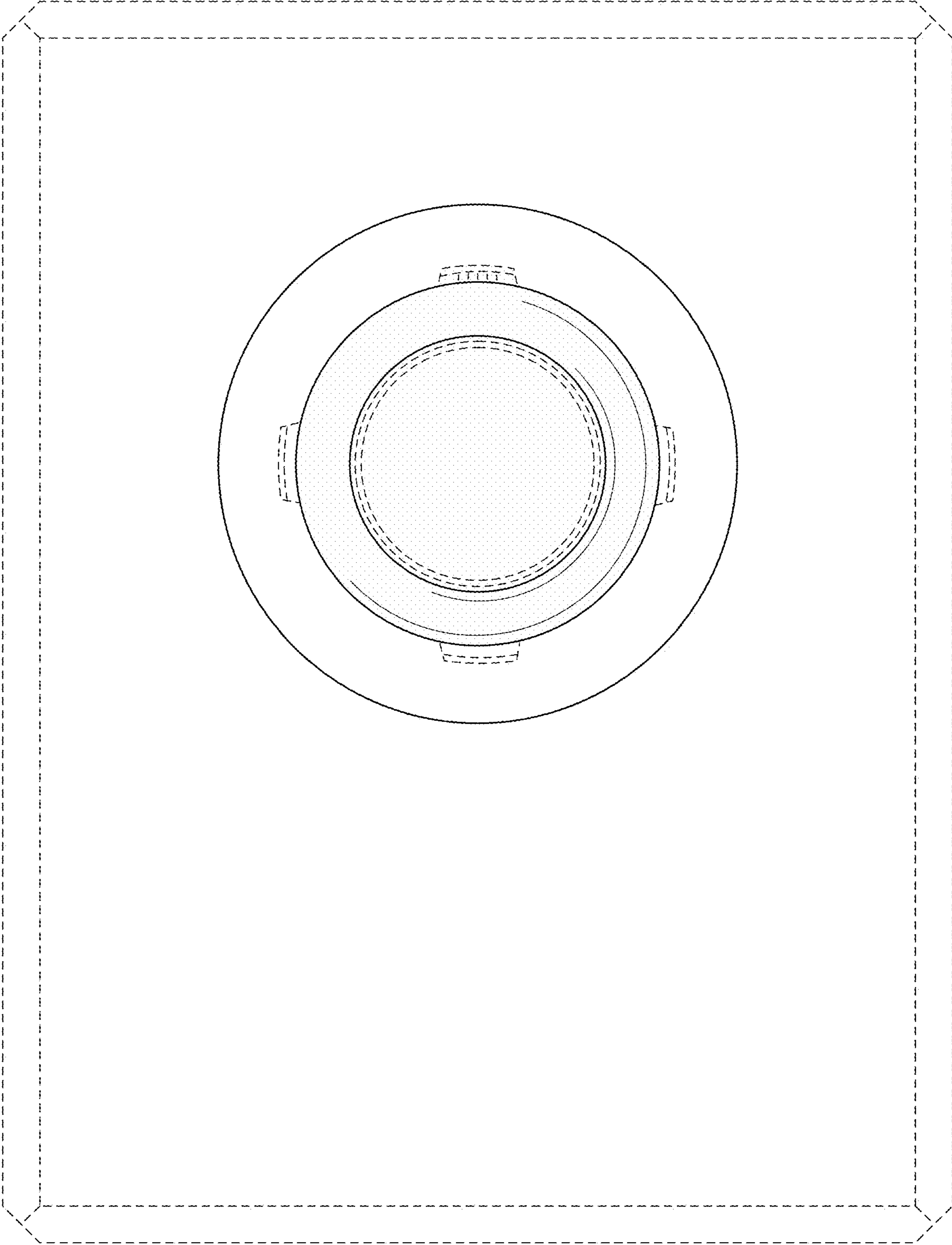


FIG. 3

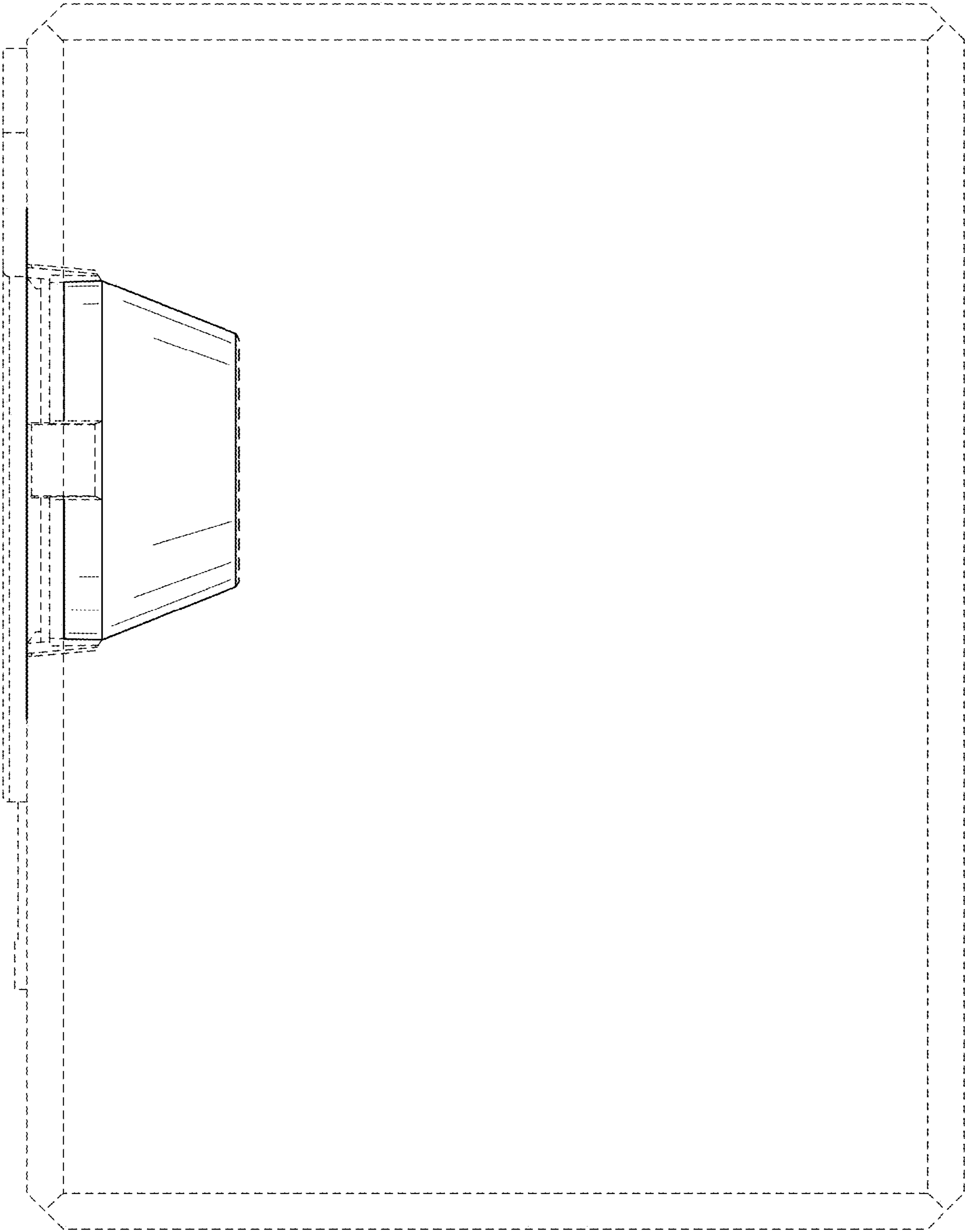


FIG. 4

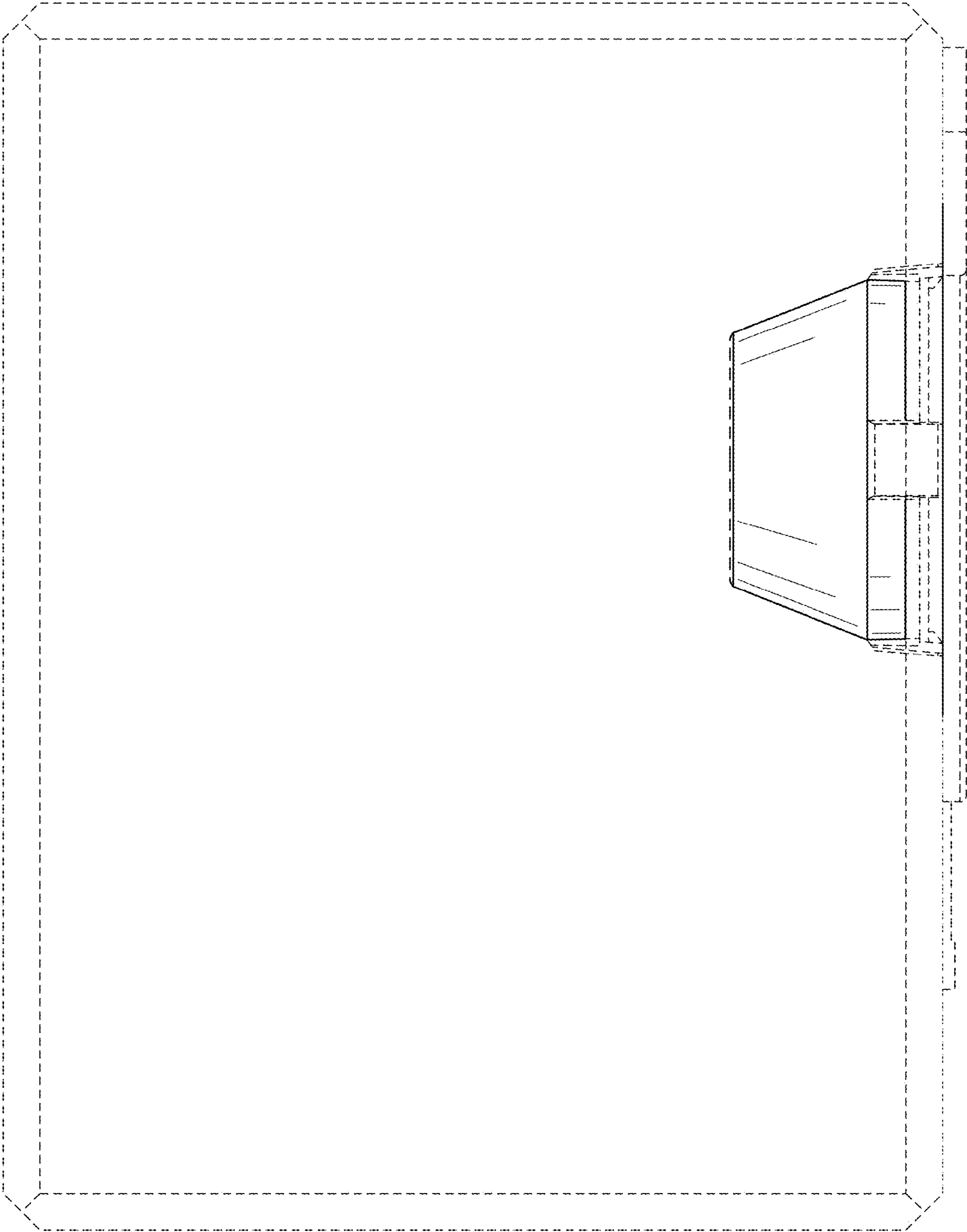


FIG. 5

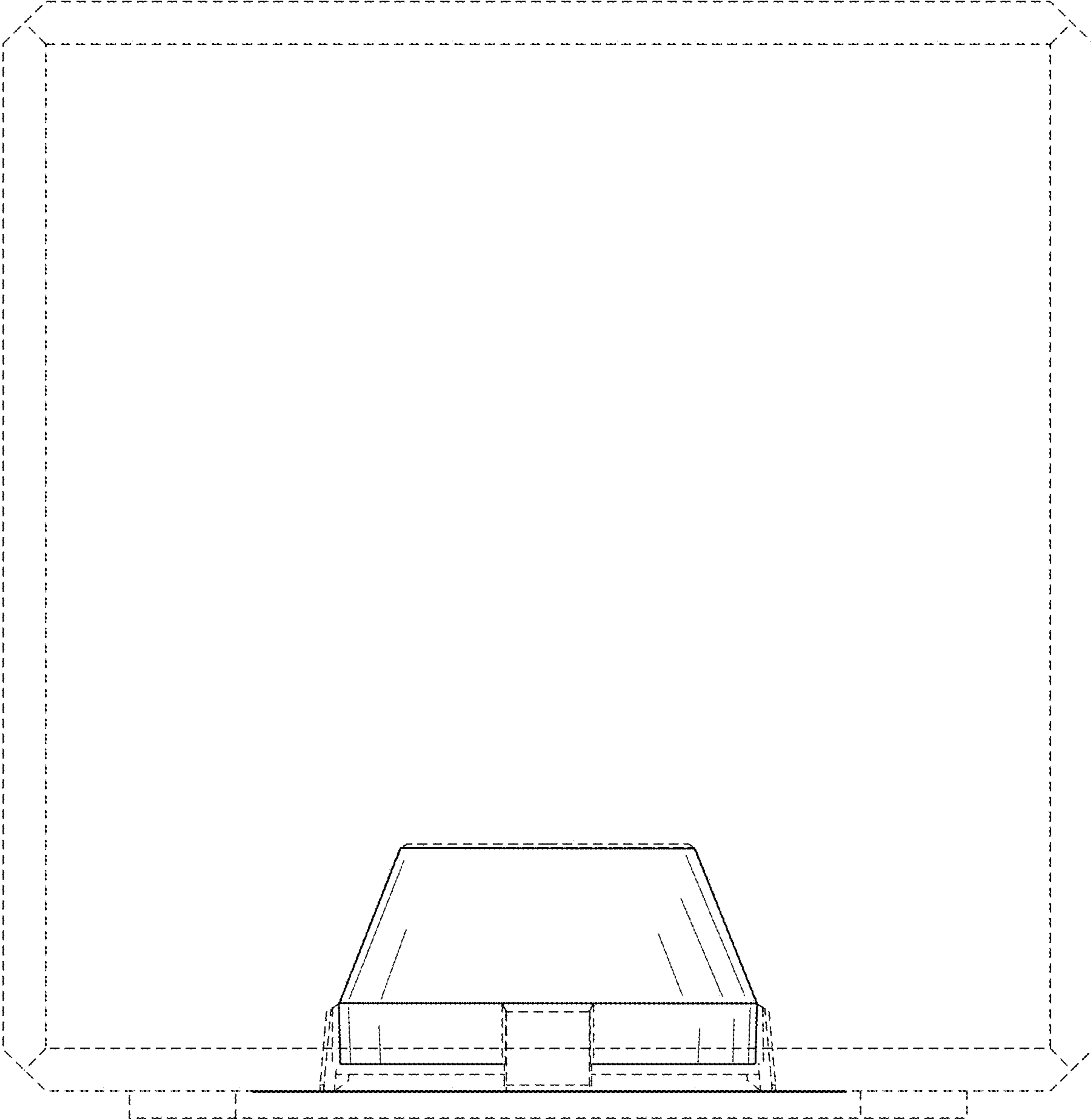


FIG. 6



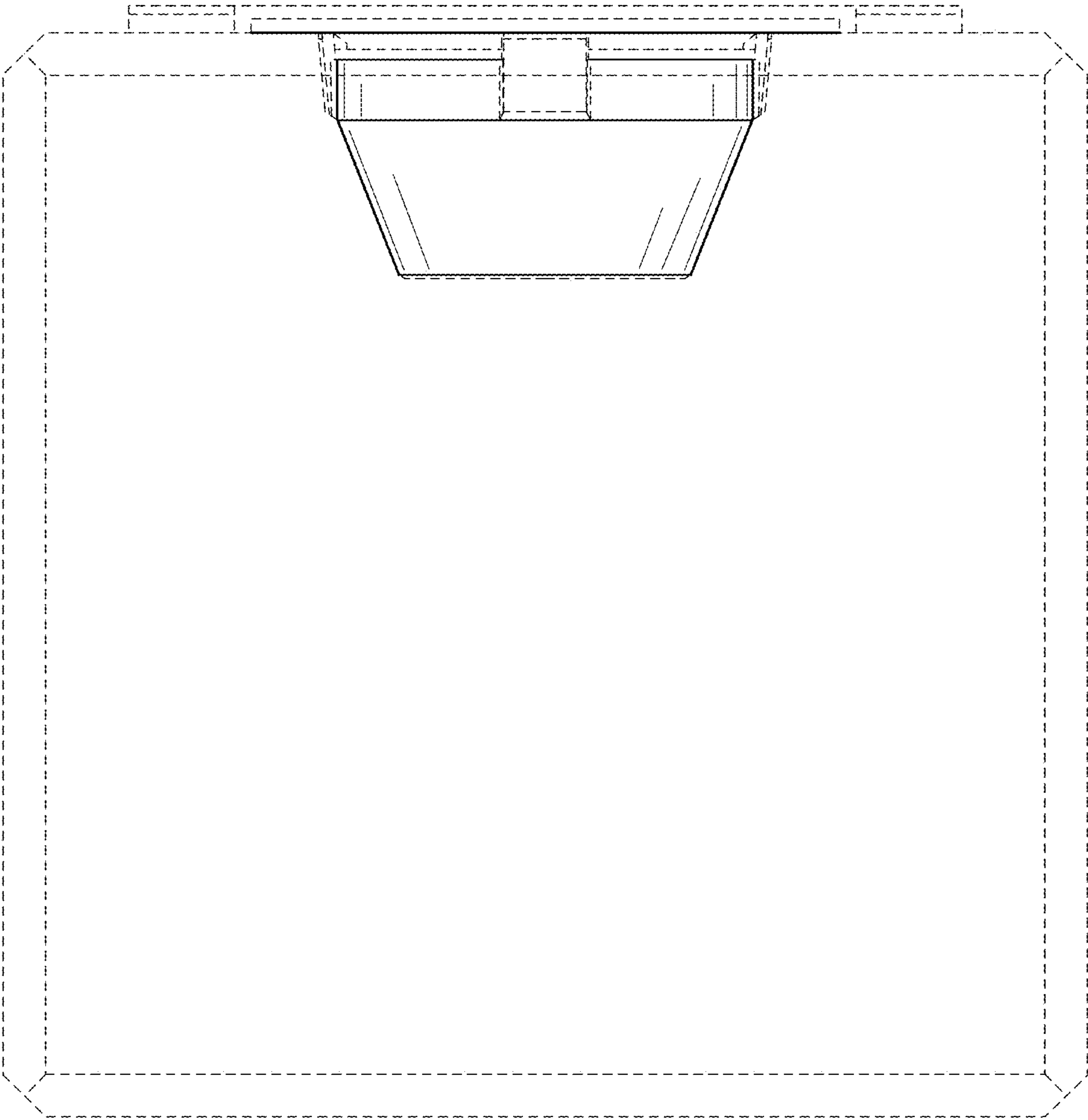


FIG. 7