



US00D960208S

(12) **United States Design Patent**  
**Han et al.**

(10) **Patent No.:** **US D960,208 S**  
(45) **Date of Patent:** **\*\* Aug. 9, 2022**

(54) **WATER DISPENSER FOR REFRIGERATOR**

- (71) Applicant: **LG ELECTRONICS INC.**, Seoul (KR)
- (72) Inventors: **Sungkyong Han**, Seoul (KR); **Kyukwan Choi**, Seoul (KR); **Sanghun Kim**, Seoul (KR); **Minsub Kim**, Seoul (KR); **Seungjin Yoon**, Seoul (KR); **Jihyun Lee**, Seoul (KR); **Yezo Yun**, Seoul (KR)
- (73) Assignee: **LG ELECTRONICS INC.**, Seoul (KR)

(\*\*) Term: **15 Years**

(21) Appl. No.: **29/782,199**

(22) Filed: **May 5, 2021**

(30) **Foreign Application Priority Data**

Nov. 20, 2020 (KR) ..... 30-2020-0056325

(51) **LOC (13) Cl.** ..... **15-07**

(52) **U.S. Cl.**  
USPC ..... **D15/89**

(58) **Field of Classification Search**  
USPC ..... D15/79-91  
CPC ..... F25D 2323/021; F25D 2323/024; F25D 2323/121; F25D 2323/122; F25D 29/00; F25D 27/005; F25D 29/005; F25D 17/042;

(Continued)

(56) **References Cited**

**U.S. PATENT DOCUMENTS**

- D379,095 S \* 5/1997 Sparks ..... D15/85
- D517,100 S \* 3/2006 Seok ..... D15/85

(Continued)

**OTHER PUBLICATIONS**

LG Electronics, LG LRSXS2706S 27.2 Cu Ft Side-By-Side Refrigerator, (site visited Mar. 15, 2022), Brand Mart USA website, URL:<<https://www.brandsmartusa.com/lg/250936/27-2-cuft-side-by-side-refrigerator-in-stainless-steel-with-smooth-touch-ice-dispenser.html>> (Year: 2022).\*

(Continued)

*Primary Examiner* — Calvin E Vansant

*Assistant Examiner* — Mark T. Philipps

(74) *Attorney, Agent, or Firm* — Birch, Stewart, Kolasch & Birch, LLP

(57) **CLAIM**

The ornamental design for a water dispenser for refrigerator, as shown and described.

**DESCRIPTION**

FIG. 1 is a front perspective view of the water dispenser for refrigerator showing our new design;

FIG. 2 is a front view thereof;

FIG. 3 is a back view thereof;

FIG. 4 is a left side view thereof;

FIG. 5 is a right side view thereof;

FIG. 6 is a top plan view thereof;

FIG. 7 is a bottom plan view thereof;

FIG. 8 is a bottom perspective view thereof;

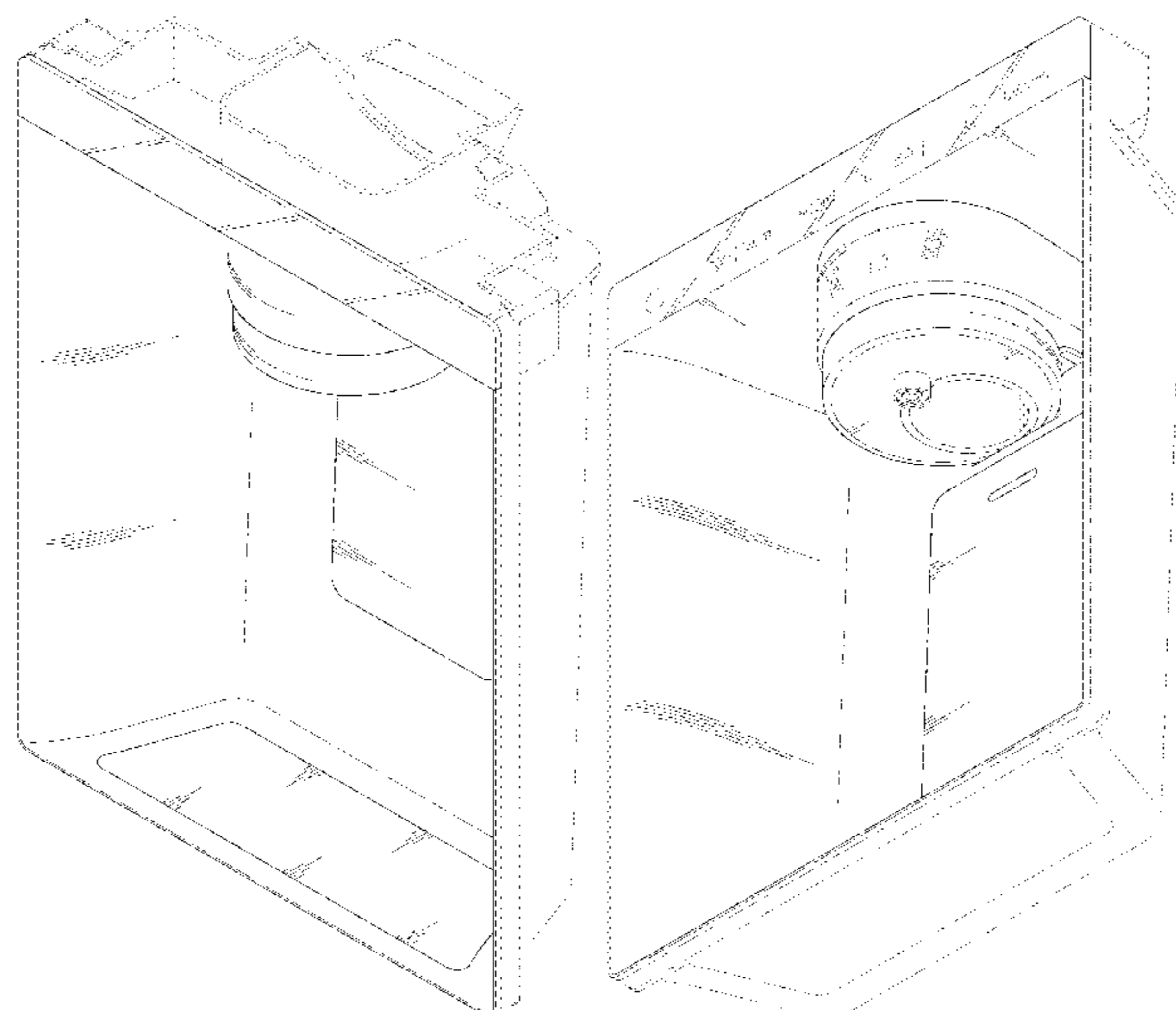
FIG. 9 is a perspective view showing the state of use that the displays at the upper-front of water dispenser and water outlet has provided the user with various information; and,

FIG. 10 is a perspective view showing another state of use that the claimed design has been attached to the front door of a refrigerator.

The broken lines depict portions of the water dispenser for refrigerator that form no part of the claimed design. The dash-dot broken lines define the bounds of the claimed design and form no part thereof.

The portions of FIG. 10 drawn in broken lines show environmental structure only and form no part of the claimed design.

**1 Claim, 10 Drawing Sheets**



(58) **Field of Classification Search**

CPC .... F25D 2325/02; F25D 11/00; F25D 11/02;  
 F25D 11/025; F25D 23/00; F25D 23/02;  
 F25D 23/04; F25D 23/12; F25D 23/028;  
 F25D 25/02; F25D 25/021; F25D 25/022;  
 F25D 25/024; F25D 25/025; A47F 3/04;  
 A47F 3/0404

See application file for complete search history.

(56) **References Cited**

U.S. PATENT DOCUMENTS

D568,343	S	*	5/2008	Suh	.....	D15/85
D569,397	S	*	5/2008	Kim	.....	D15/85
D601,175	S	*	9/2009	Staud	.....	D15/85
D625,343	S	*	10/2010	Seo	.....	D15/85
D639,314	S	*	6/2011	Yang	.....	D15/85
D699,767	S	*	2/2014	Yoon-jung	.....	D15/85
D701,539	S	*	3/2014	Saejin	.....	D15/85
D702,266	S	*	4/2014	Mihyun	.....	D15/85
D711,942	S	*	8/2014	Jeon	.....	D15/89
D714,363	S	*	9/2014	Jeon	.....	D15/86
D715,336	S	*	10/2014	Sin	.....	D15/89
D734,373	S	*	7/2015	Hwang	.....	D15/86
D735,781	S	*	8/2015	Hwang	.....	D15/81
D741,380	S	*	10/2015	Ogg	.....	D15/86
D759,131	S	*	6/2016	Ogg	.....	D15/89
D761,891	S	*	7/2016	Seo	.....	D15/89
D767,648	S	*	9/2016	Shoemaker	.....	D15/86
D771,159	S	*	11/2016	Jeon	.....	D15/89

D781,934	S	*	3/2017	Shrader	.....	D15/85
D786,948	S	*	5/2017	Lee	.....	D15/86
D788,187	S	*	5/2017	Kim	.....	D15/84
D788,828	S	*	6/2017	Seo	.....	D15/86
D791,199	S	*	7/2017	Kim	.....	D15/86
D794,092	S	*	8/2017	Lee	.....	D15/89
D795,312	S	*	8/2017	Shoemaker	.....	D15/89
D825,623	S	*	8/2018	Jeon	.....	D15/89
D827,683	S	*	9/2018	Jeon	.....	D15/85
D836,683	S	*	12/2018	Jeon	.....	D15/86
D841,057	S	*	2/2019	Kim	.....	D15/86
D841,058	S	*	2/2019	Lee	.....	D15/86
10,342,363	B2	*	7/2019	Park	.....	F25D 31/005
D888,110	S	*	6/2020	Lee	.....	D15/85
10,684,068	B1	*	6/2020	Shi	.....	F25D 23/028
D895,693	S	*	9/2020	Joo	.....	F25D 25/025
						D15/85
D921,064	S	*	6/2021	Lee	.....	D15/89
D926,829	S	*	8/2021	Kim	.....	F25D 25/025
						D15/85
2021/0148627	A1	*	5/2021	Jeong	.....	F25D 17/08

OTHER PUBLICATIONS

Samsung, RF27T5501SR/AA, (site visited Mar. 15, 2022), Samsung Website, URL: <<https://www.samsung.com/us/home-appliances/refrigerators/3-door-french-door/26-5-cu--ft--large-capacity-3-door-french-door-refrigerator-with-family-hub--and-external-water---ice-dispenser-in-stainless-steel-rf27t5501sr-aa/>> (Year: 2022).\*

\* cited by examiner

FIG. 1

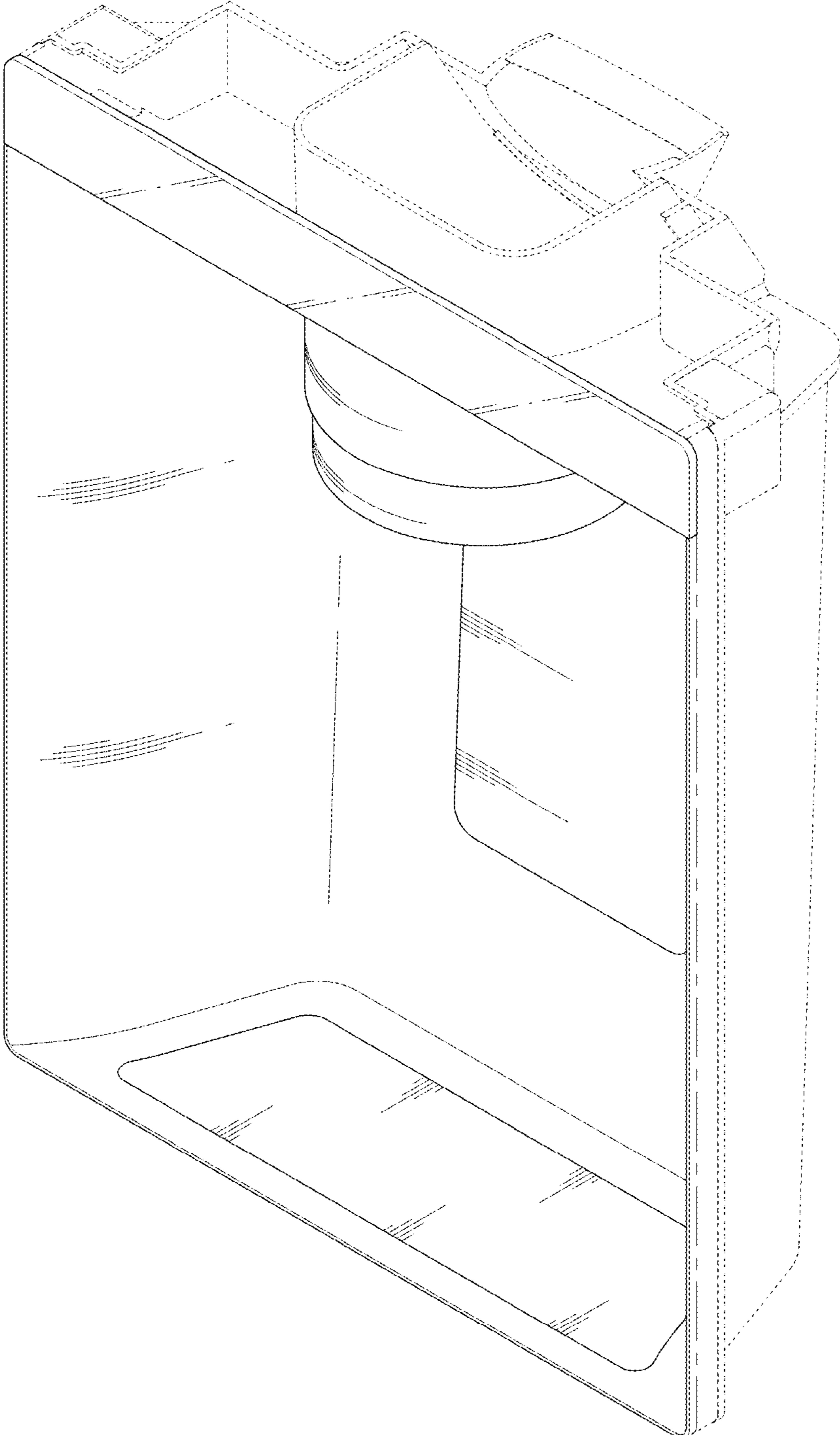


FIG. 2

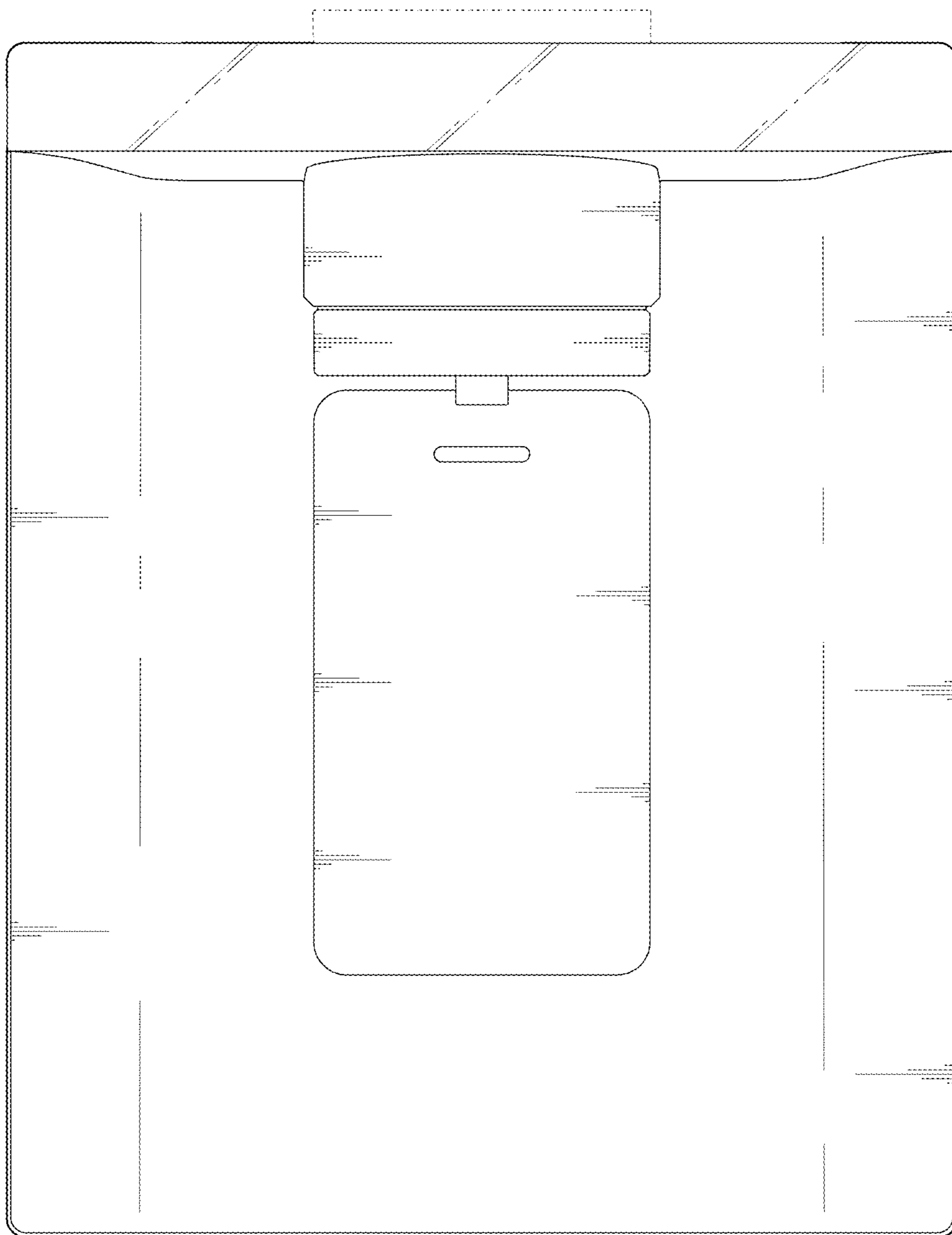


FIG. 3

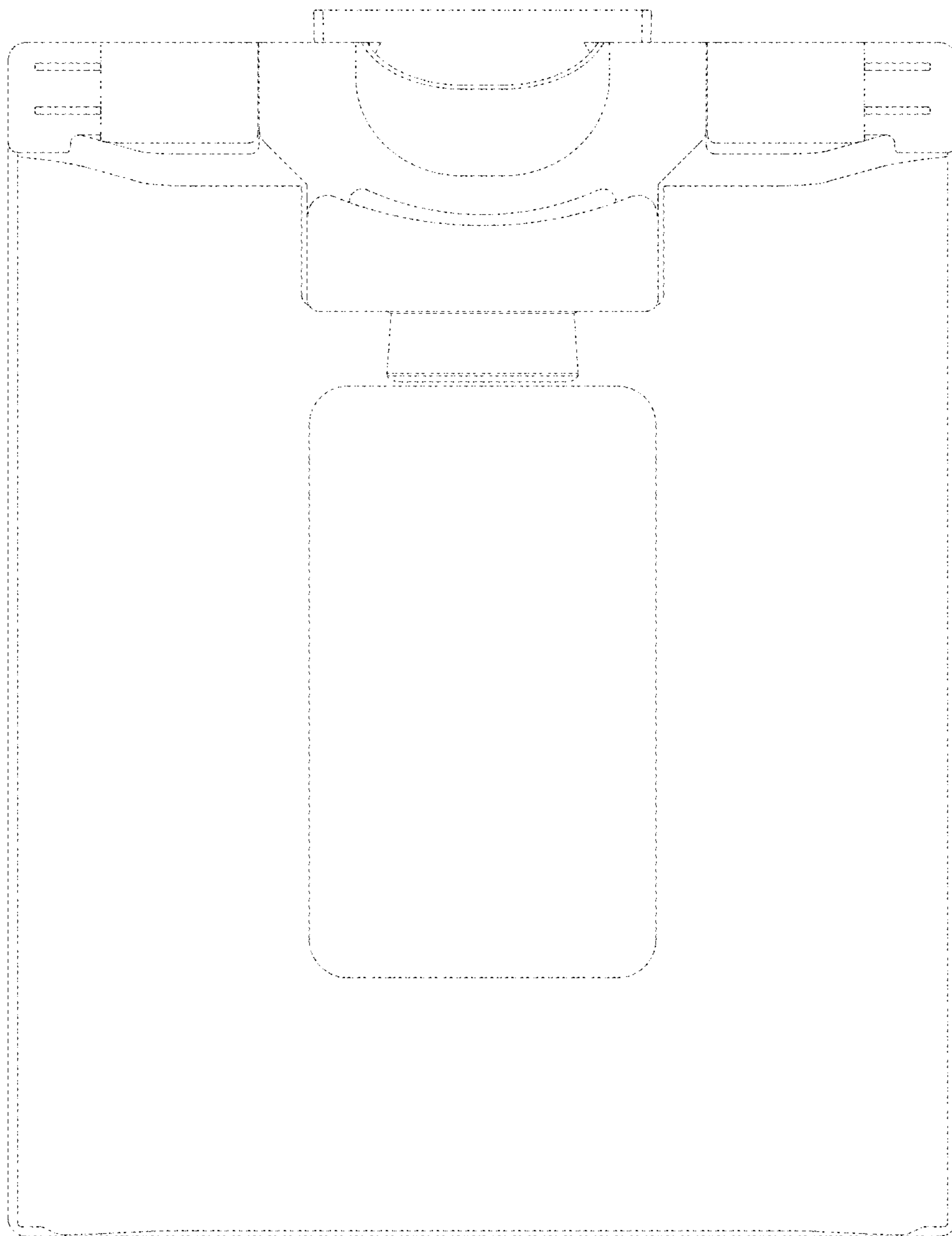


FIG. 4

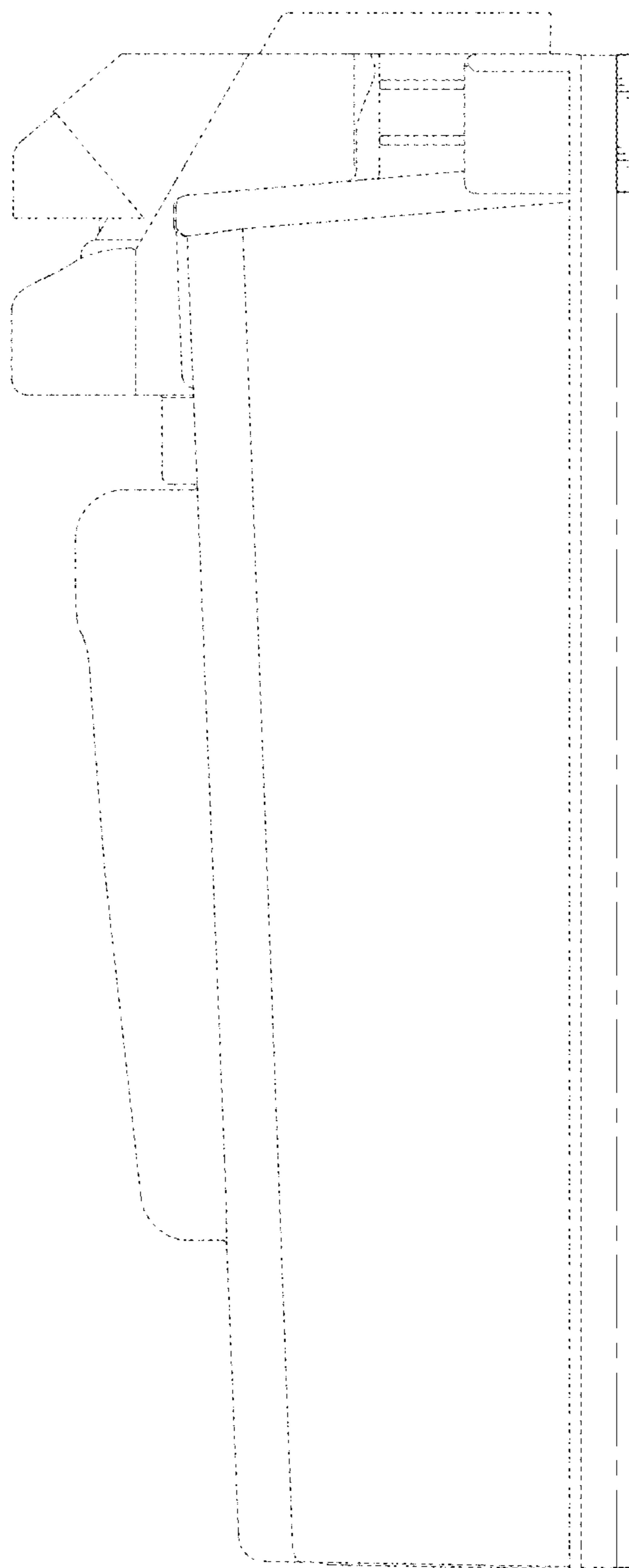


FIG. 5

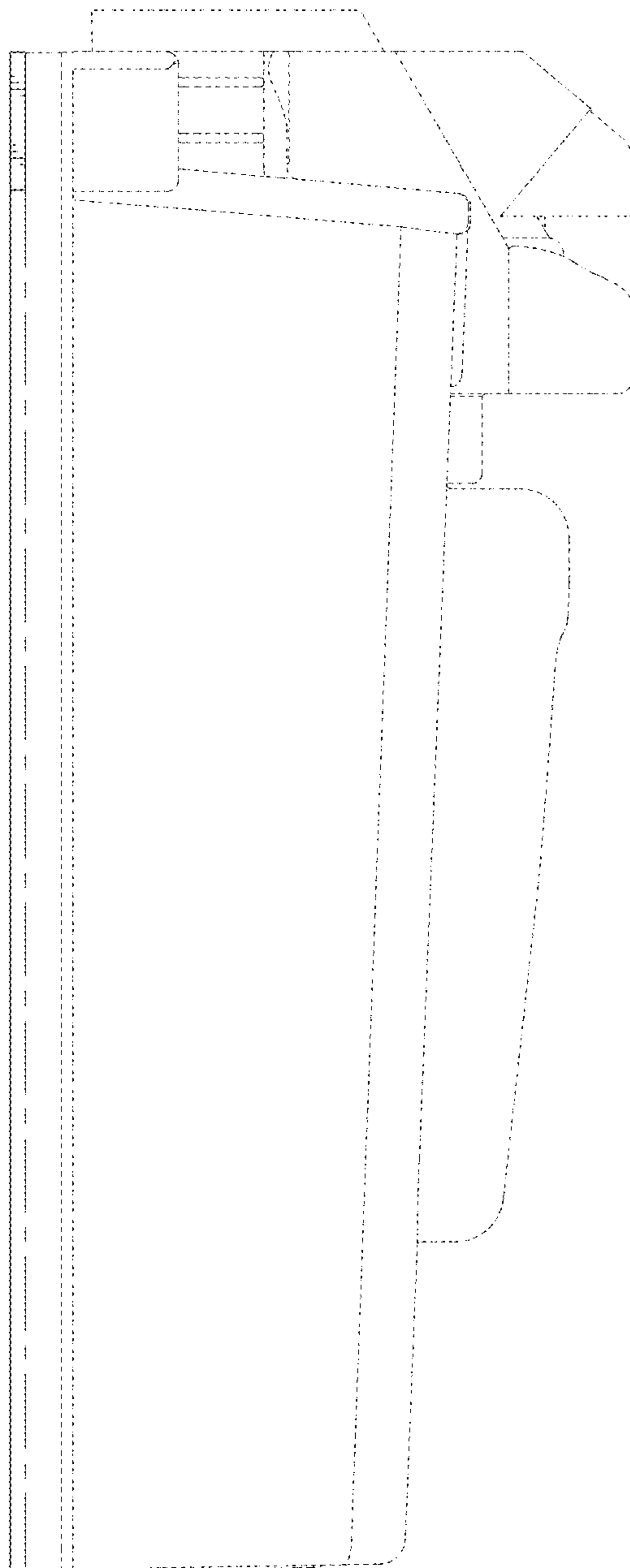


FIG. 6

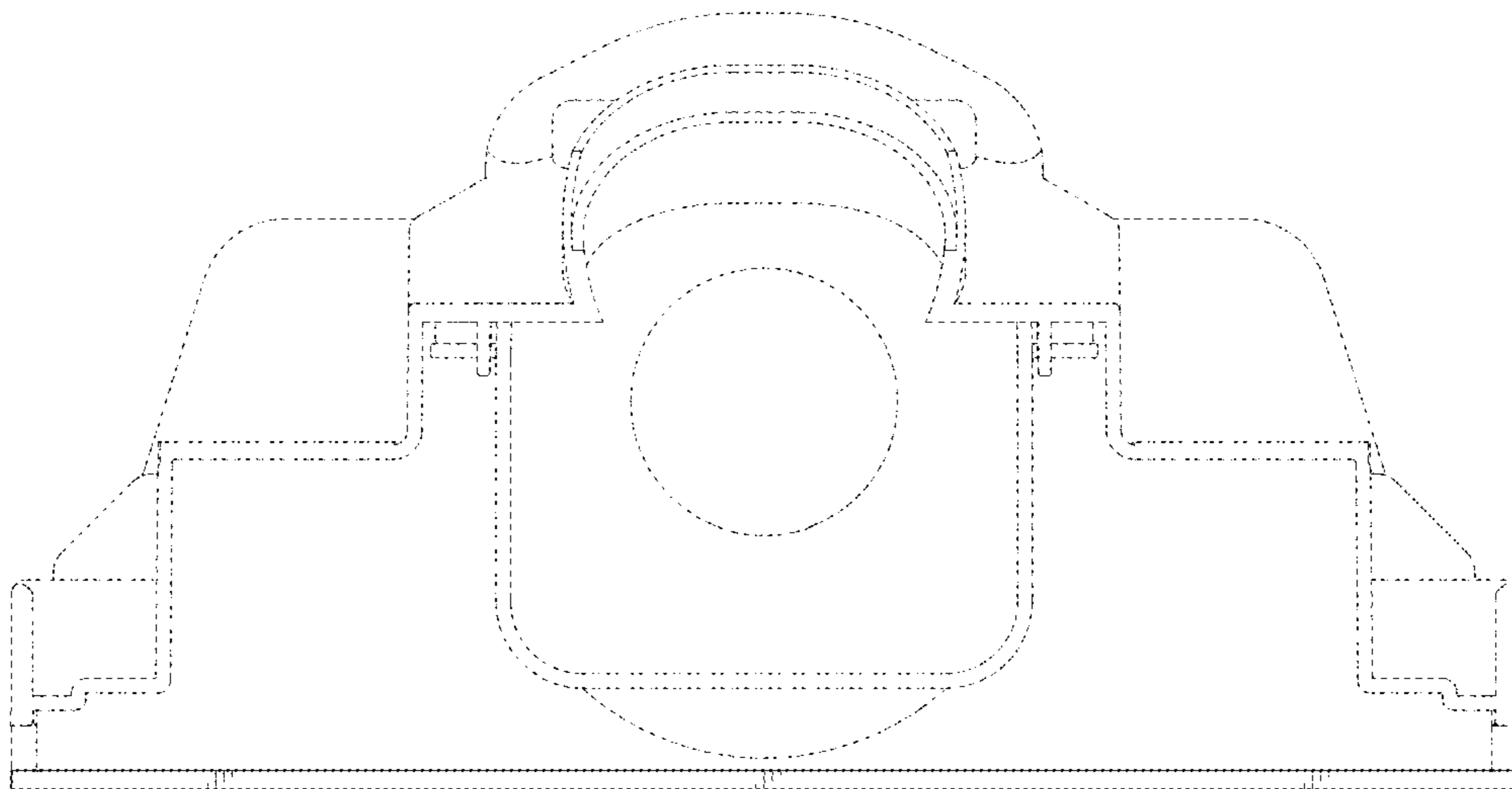




FIG. 7

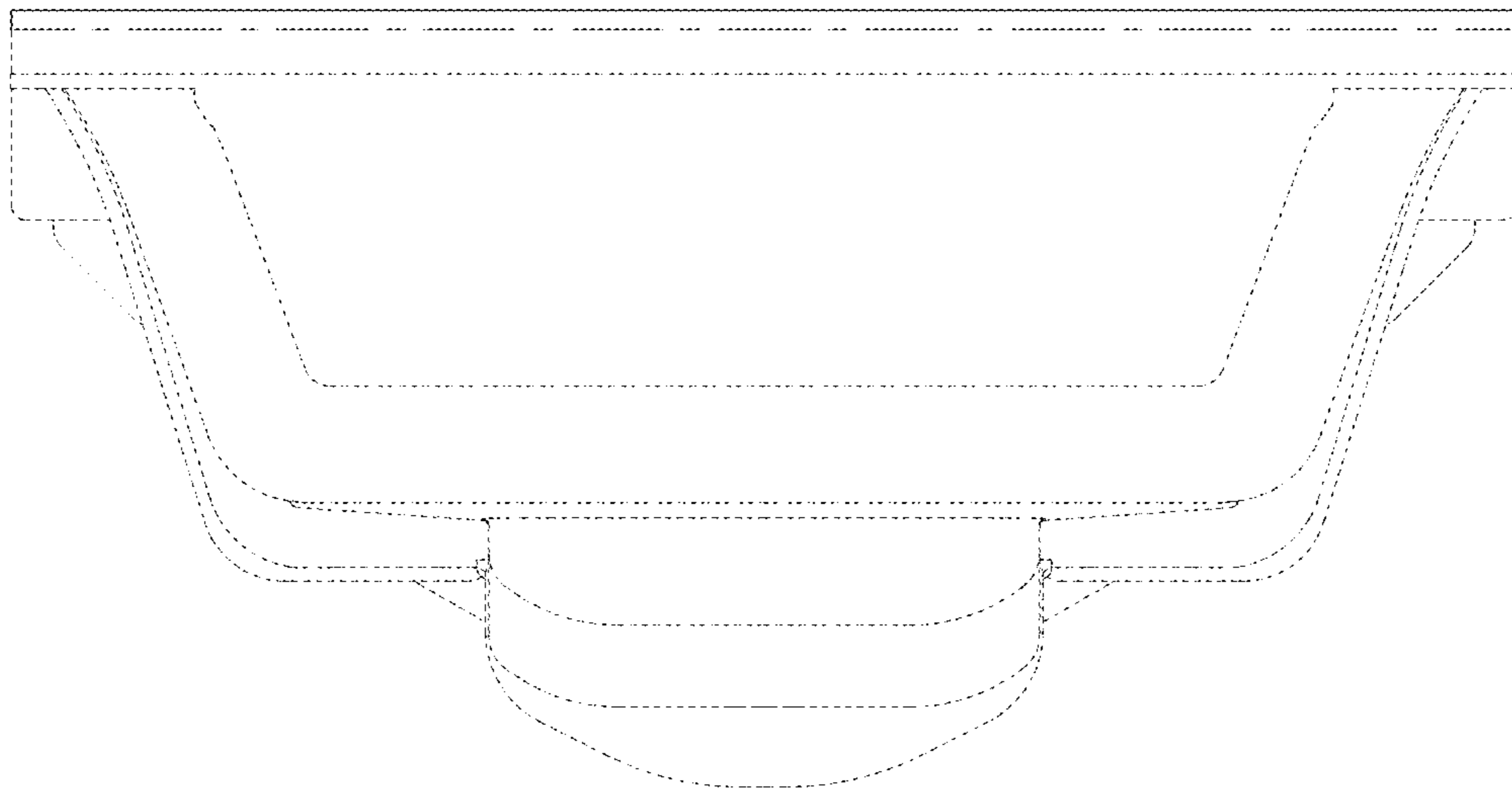


FIG. 8

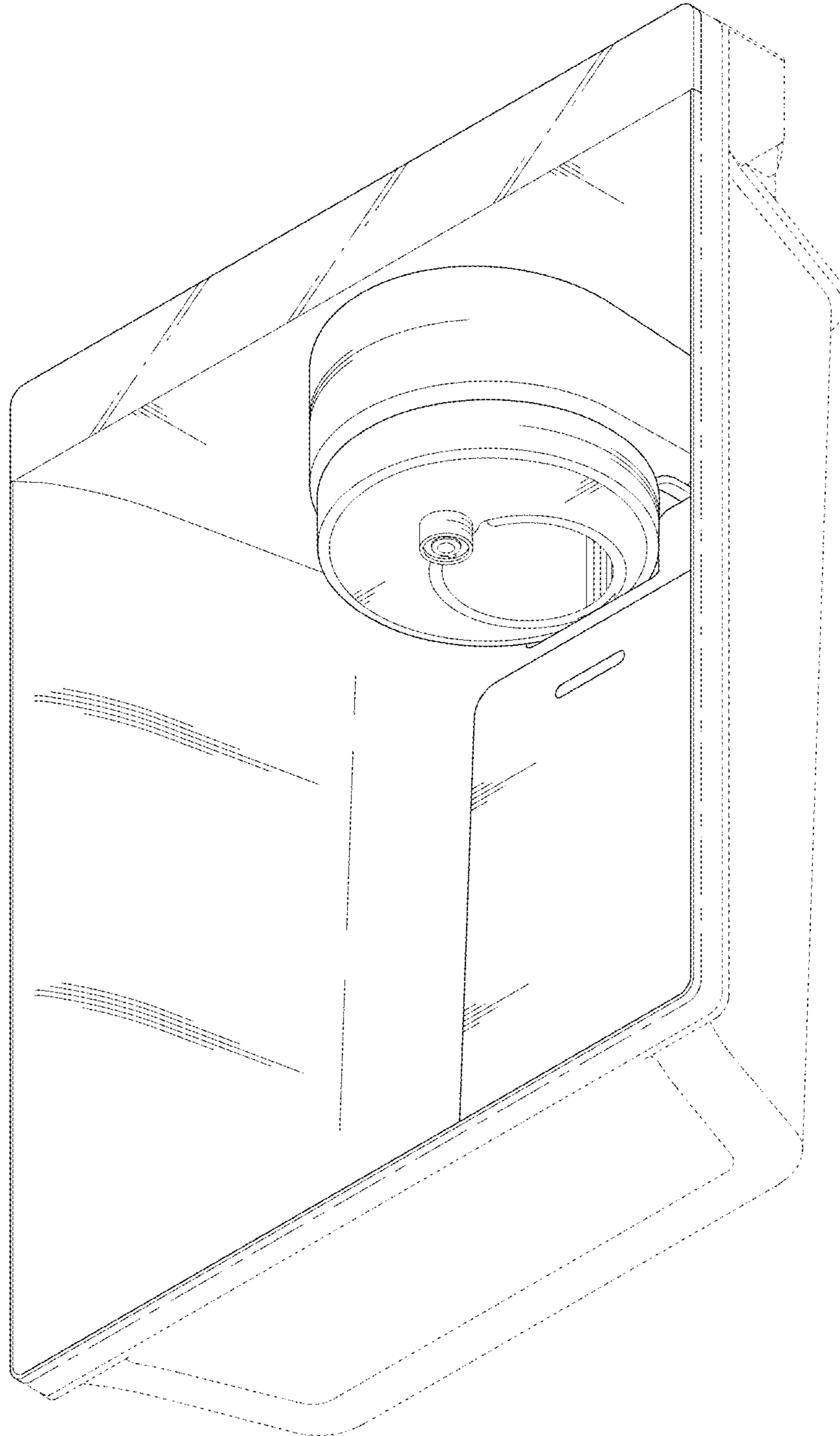


FIG. 9

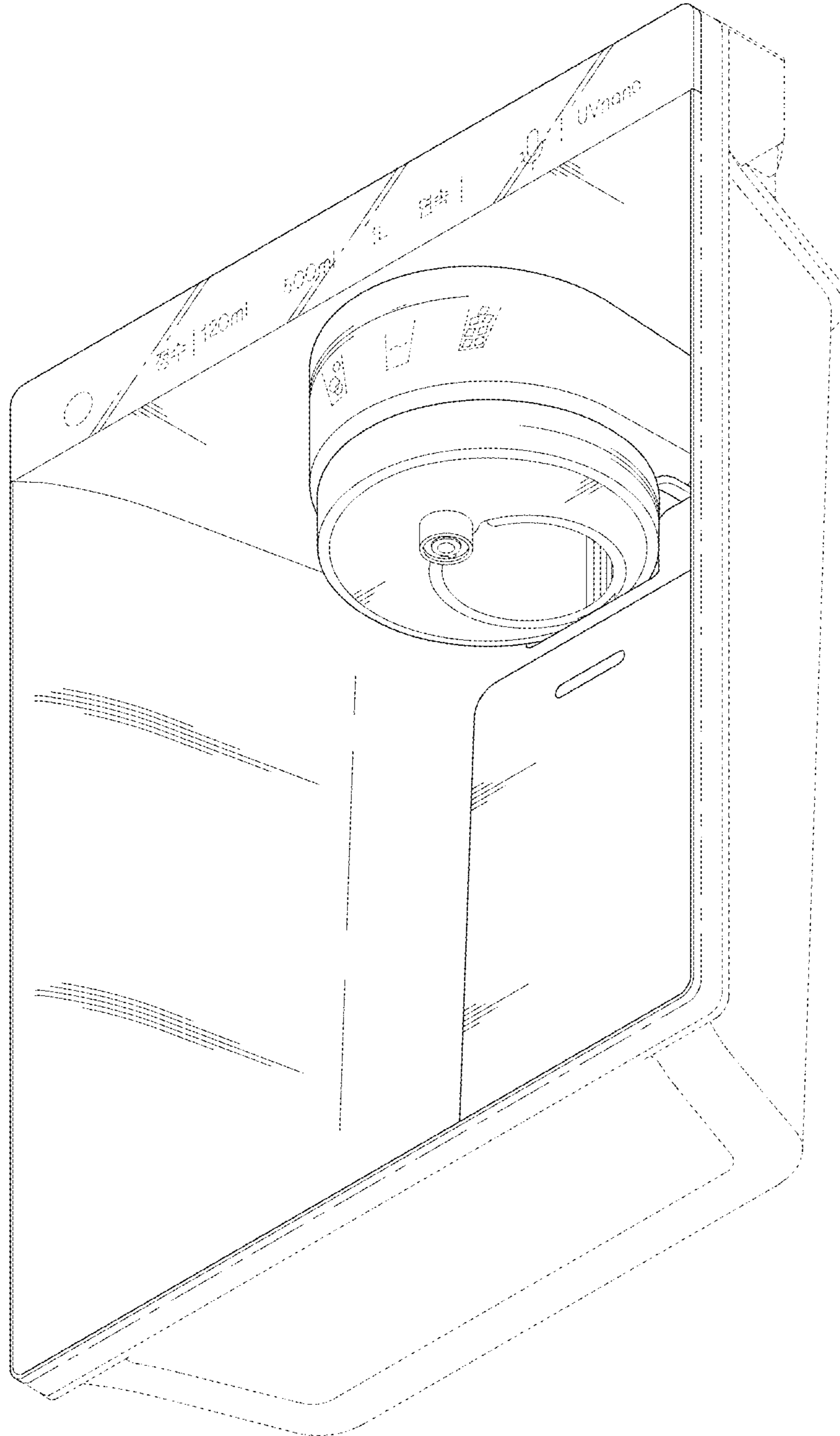


FIG. 10

