



US00D960203S

(12) **United States Design Patent** (10) **Patent No.:** **US D960,203 S**
Rolfes (45) **Date of Patent:** **** Aug. 9, 2022**

(54) **PUMP FOR LIQUIDS**

(71) Applicant: **Hugo Vogelsang Maschinenbau GmbH, Essen (DE)**

(72) Inventor: **Michael Rolfes, Loninggen (DE)**

(**) Term: **15 Years**

(21) Appl. No.: **35/510,565**

(22) Filed: **Sep. 28, 2020**

(80) **Hague Agreement Data**

Int. Filing Date: **Sep. 28, 2020**

Int. Reg. No.: **DM/210699**

Int. Reg. Date: **Sep. 28, 2020**

Int. Reg. Pub. Date: **Oct. 16, 2020**

(51) **LOC (13) Cl.** **15-02**

(52) **U.S. Cl.**

USPC **D15/7**

CPC **F02M 37/14 (2013.01)**

(58) **Field of Classification Search**

USPC D15/7-9, 231, 225, 232; 417/235, 265, 417/321, 355, 358, 363, 359, 410.1, 415, 417/416, 405, 900, 269, 539, 234, 60; 60/408, 412; 184/26-37; 415/140-147; 123/495, 509; 137/565.34

CPC F02M 37/04; F02M 37/14; F04B 53/92; F04B 1/005; F04B 43/0736

See application file for complete search history.

(56) **References Cited**

U.S. PATENT DOCUMENTS

D516,583 S * 3/2006 Strong D15/7

D520,521 S * 5/2006 Angeletta D15/7

D555,089 S * 11/2007 Lutz D13/112
D591,310 S * 4/2009 Soja D15/7
D647,537 S * 10/2011 Mehnert D15/7
D676,063 S * 2/2013 Soja D15/7
D676,462 S * 2/2013 Soja D15/7
D677,282 S * 3/2013 Soja D15/7
D677,283 S * 3/2013 Soja D15/7
9,309,885 B2 * 4/2016 Blechschmidt F04C 15/0026
D797,154 S * 9/2017 Fujiwara D15/7
D861,734 S * 10/2019 Hanselman D15/7
D865,005 S * 10/2019 Hanselman D15/7
D874,522 S * 2/2020 Beukenberg D15/9
2016/0215679 A1 * 7/2016 Pawellek F04D 1/00
2017/0254253 A1 * 9/2017 Hoffmann F01P 7/14
2017/0335844 A1 * 11/2017 Blechschmidt F04C 15/0088
2017/0370274 A1 * 12/2017 Hoffmann F01P 7/16

* cited by examiner

Primary Examiner — Richard E Chilcot

(57) **CLAIM**

The ornamental design for a pump for liquids, as shown and described.

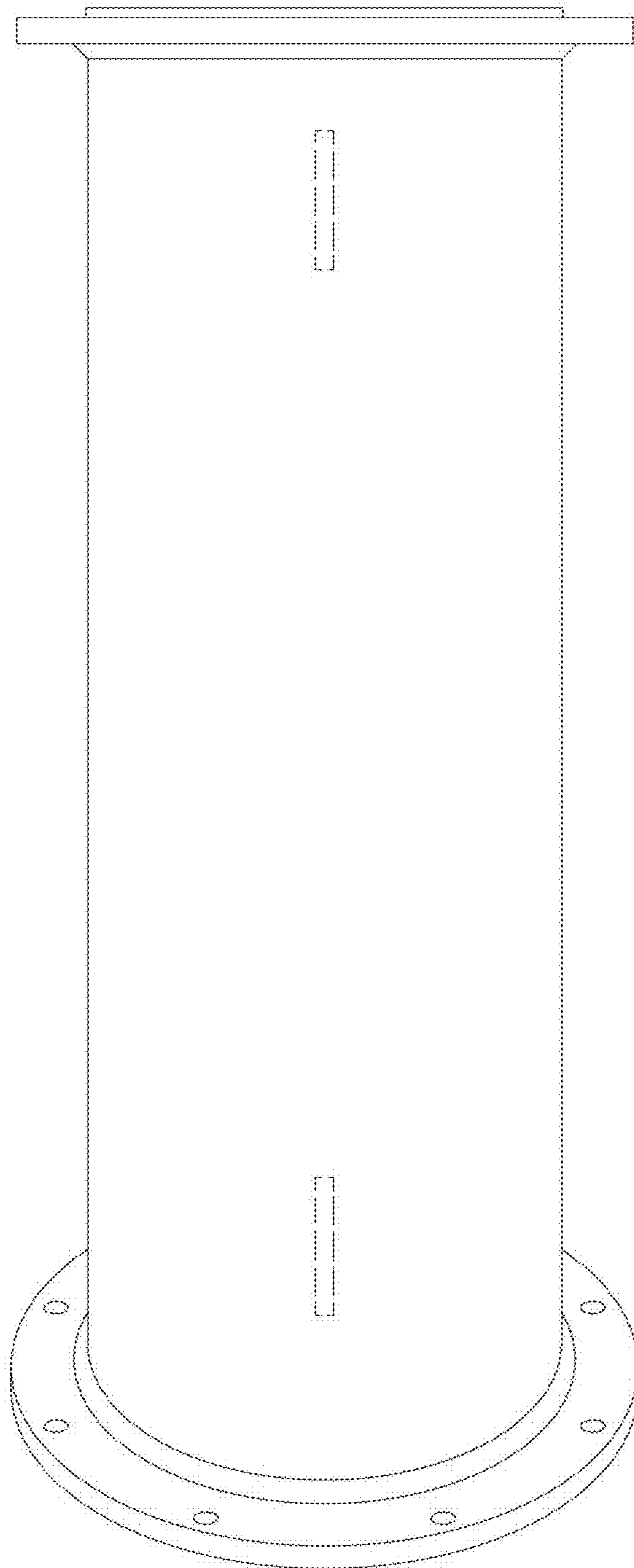
DESCRIPTION

FIG. 1.1 is a top plan view of a pump for liquids according to the design;
FIG. 1.2 is a right side elevation view thereof;
FIG. 1.3 is a perspective view thereof;
FIG. 1.4 is a front elevation view thereof; and
FIG. 1.5 is a back elevation view thereof.
The broken line showing of portions of the pump is for the purpose of illustrating environmental structure and forms no part of the claimed design.

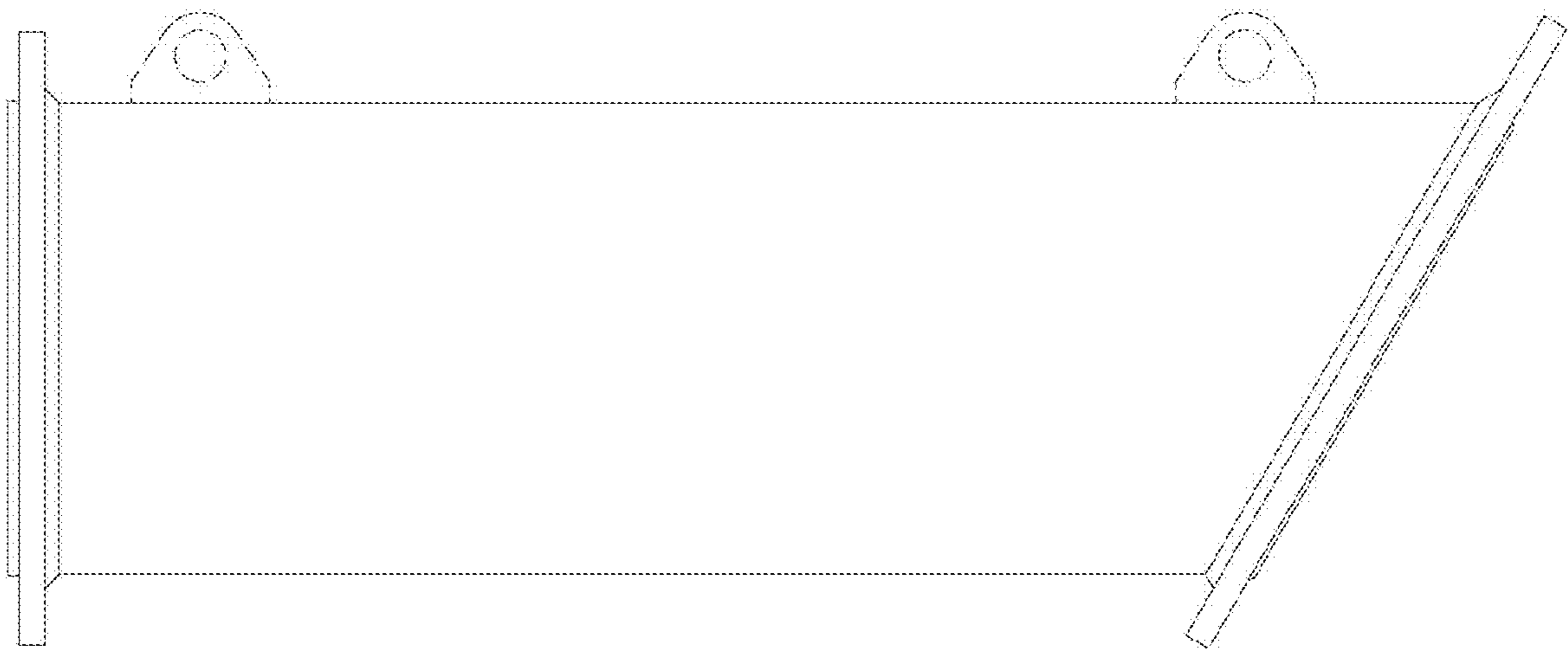
1 Claim, 5 Drawing Sheets



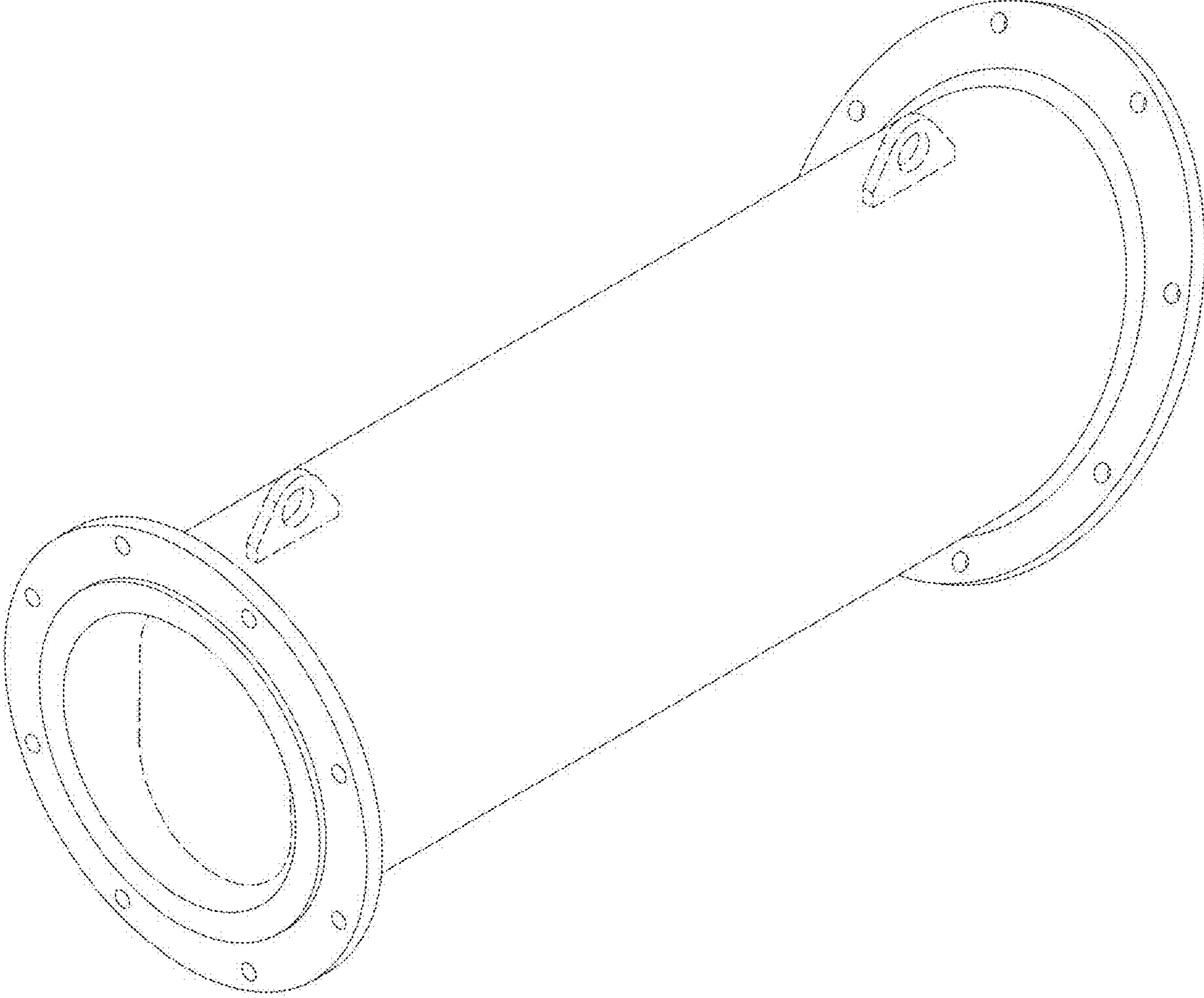
1.1



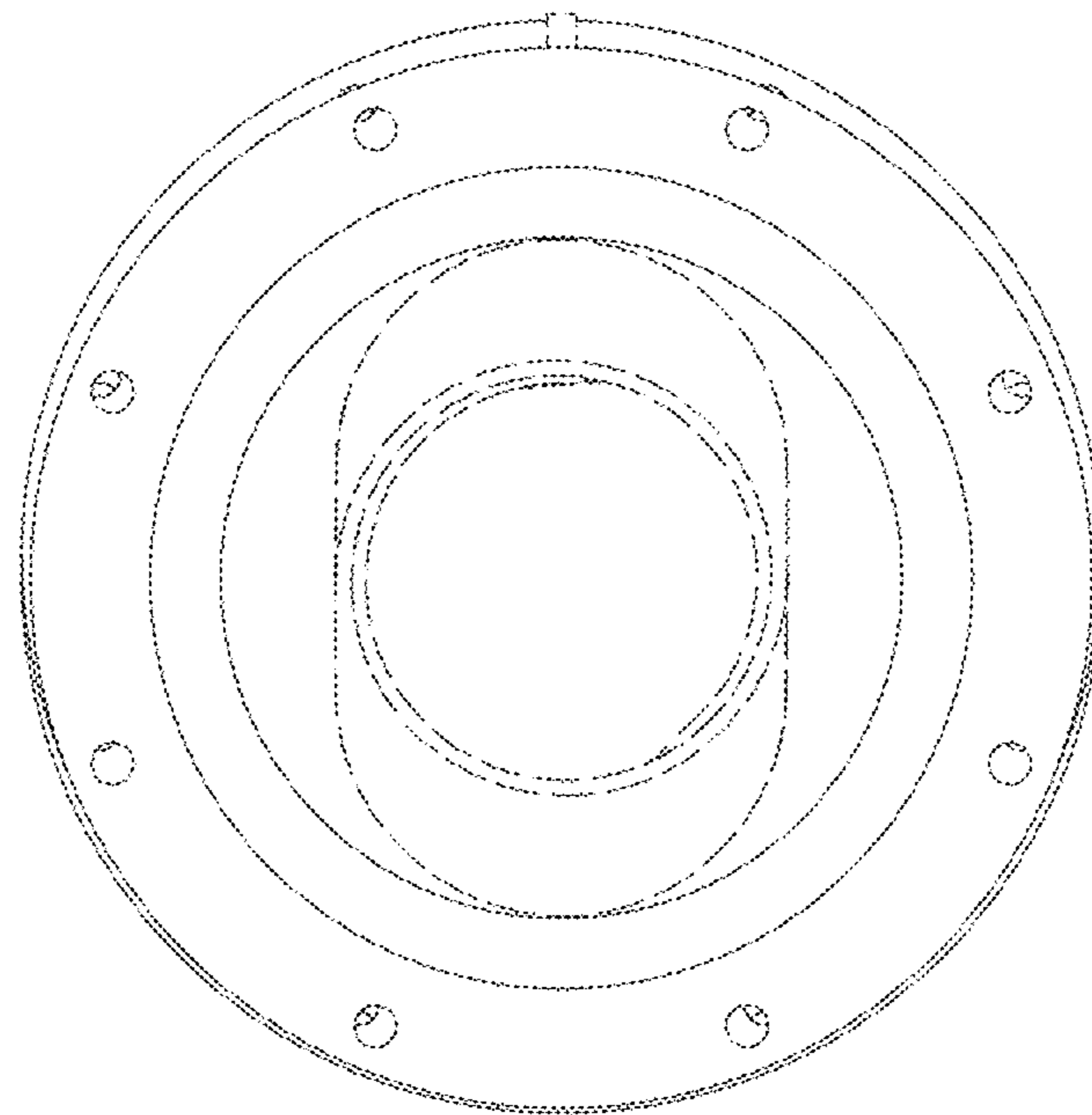
1.2



1.3



1.4



1.5

