



US00D960202S

(12) **United States Design Patent** (10) **Patent No.:** **US D960,202 S**
Kuster et al. (45) **Date of Patent:** **** Aug. 9, 2022**

(54) **PUMP ASSEMBLY**

(71) Applicants: **Hans L. Kuster**, Barrington, RI (US);
Michael McNamara, Coventry, RI (US)

(72) Inventors: **Hans L. Kuster**, Barrington, RI (US);
Michael McNamara, Coventry, RI (US)

(73) Assignee: **AquaMotion, Inc.**, Barrington, RI (US)

(**) Term: **15 Years**

(21) Appl. No.: **29/829,955**

(22) Filed: **Mar. 9, 2022**

Related U.S. Application Data

(62) Division of application No. 29/754,904, filed on Oct. 15, 2020.

(51) **LOC (13) Cl.** **15-02**

(52) **U.S. Cl.**
USPC **D15/7**

(58) **Field of Classification Search**
USPC D23/206, 318, 319, 322, 387, 421, 499;
D15/7-9

CPC F04D 13/06; F04D 29/041; F04D 29/22;
F04D 29/60; F04D 29/605; F04B 17/03;
F04B 17/046; F04B 17/048; F04B 35/04;
F04B 43/04; F04B 43/043

See application file for complete search history.

(56) **References Cited**

U.S. PATENT DOCUMENTS

D160,258 S * 9/1950 Goodman D15/7
D178,194 S * 7/1956 Lung D15/7
D233,800 S * 11/1974 Sadler D15/7
D306,596 S * 3/1990 Maddock D15/7
D391,270 S * 2/1998 Chowdhury D15/7
D589,983 S * 4/2009 Sinico D15/7

D590,421 S * 4/2009 Shibukawa D15/7
D599,380 S * 9/2009 Moreira D15/7
D603,426 S * 11/2009 Hauser D15/7
D603,870 S * 11/2009 Mehnert D15/7
8,083,500 B1 12/2011 Lebkuchner et al.
8,303,184 B1 11/2012 Lebkuchner et al.
9,328,736 B2 5/2016 Lebkuchner et al.
9,863,647 B1 1/2018 McNamara et al.
D815,152 S * 4/2018 Berry D15/7
D823,899 S * 7/2018 Alexander D15/7
D834,145 S 11/2018 McNamara et al.

(Continued)

OTHER PUBLICATIONS

EZ-Flo, 70601 Nevercold Under Sink Hot Water Recirculating Pump, Black, (first available Dec. 1, 2020), Amazon.com, URL:<<https://www.amazon.com/EZ-FLO-70601-Nevercold-Under-Recirculating/dp/B08PDKVRBD>> (Year: 2020).*

(Continued)

Primary Examiner — Calvin E Vansant

Assistant Examiner — Mark T. Philipps

(74) *Attorney, Agent, or Firm* — Salter & Michaelson

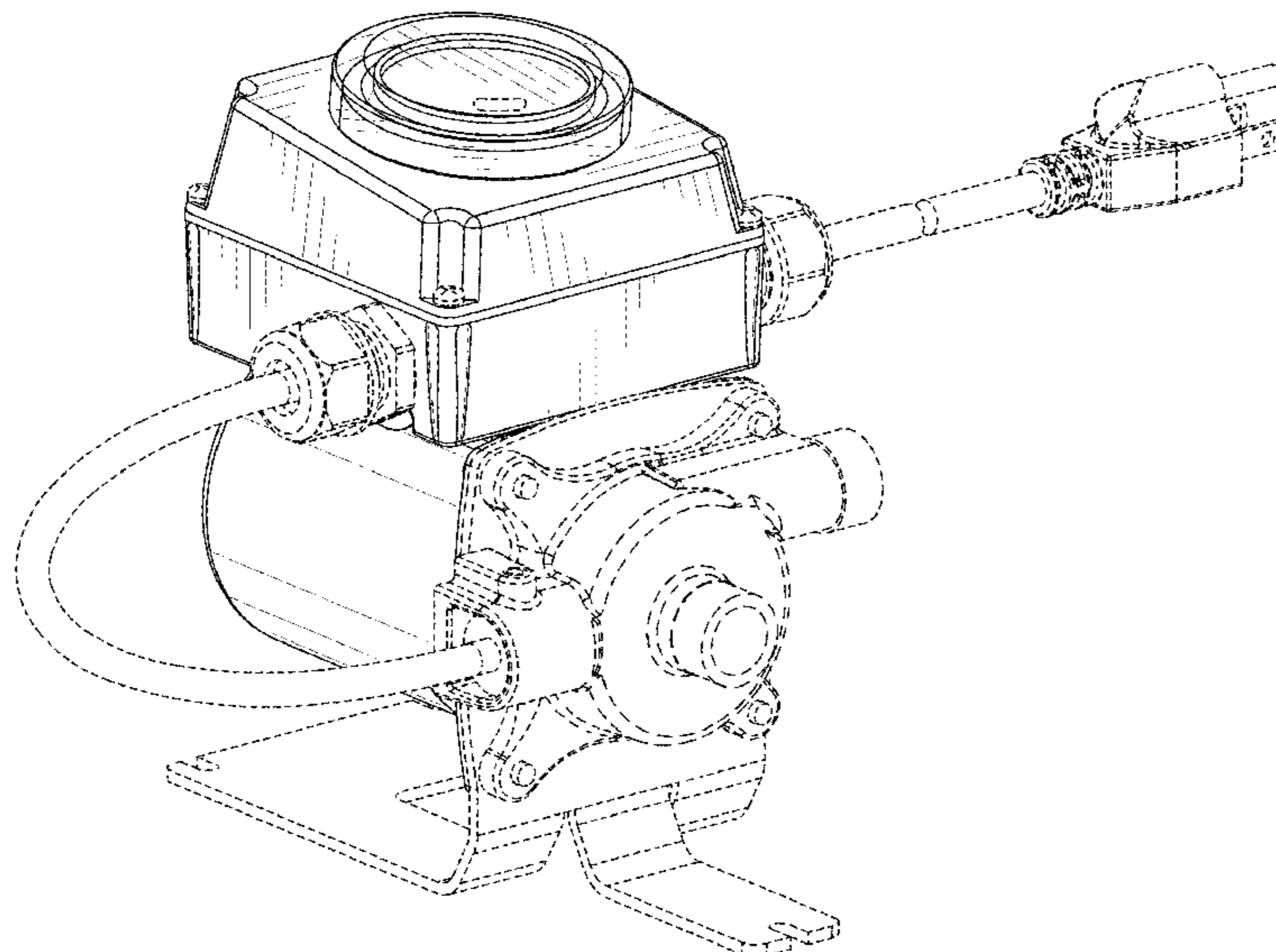
(57) **CLAIM**

The ornamental design for a pump assembly, as shown and described.

DESCRIPTION

FIG. 1 is a perspective view of a pump assembly; FIG. 2 is a front elevational view thereof; FIG. 3 is a rear elevational view thereof; FIG. 4 is a top plan view thereof; FIG. 5 is a bottom plan view thereof; FIG. 6 is a left side elevational view thereof; and, FIG. 7 is a right side elevational view thereof. The broken lines shown in the drawing views are included for the purpose of showing environmental structure that forms no part of the claimed design.

1 Claim, 7 Drawing Sheets



(56)

References Cited

U.S. PATENT DOCUMENTS

D872,132 S * 1/2020 Sofussen D15/7
10,612,793 B1 4/2020 Kuster et al.
D884,033 S * 5/2020 Sinico D15/7
11,193,605 B1 12/2021 Kuster et al.

OTHER PUBLICATIONS

Bokywox, Hot Water Circulation Pump NPT 3/4" Hot Water Recirculating Pump 3-Speed Circulating Pump Stainless Steel 304 Circulation Pump(RS15-6SB), (first available May 16, 2017), Amazon.com, URL:<<https://www.amazon.com/dp/B077GRNHTW>> (Year: 2017).*

* cited by examiner

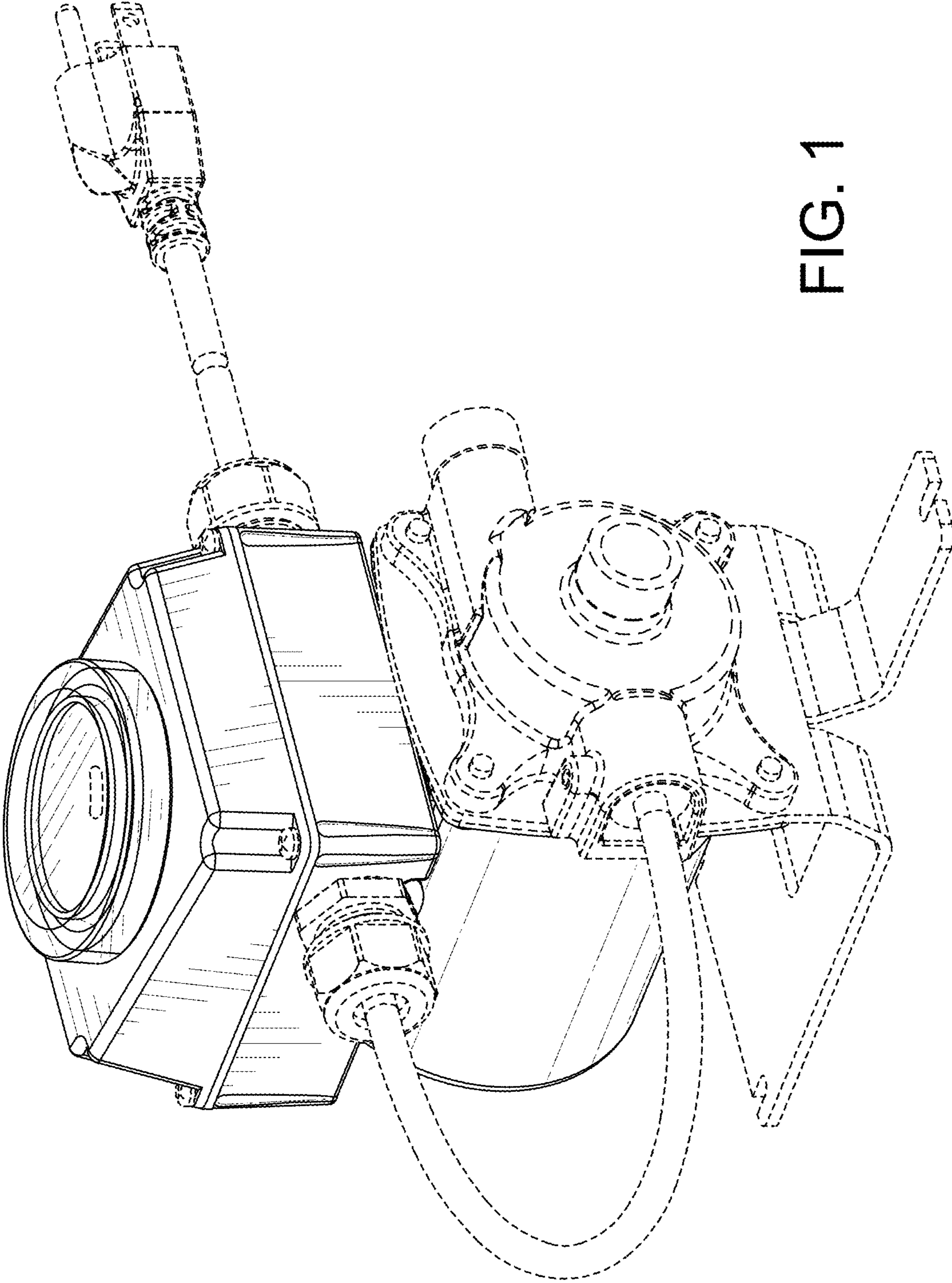


FIG. 1

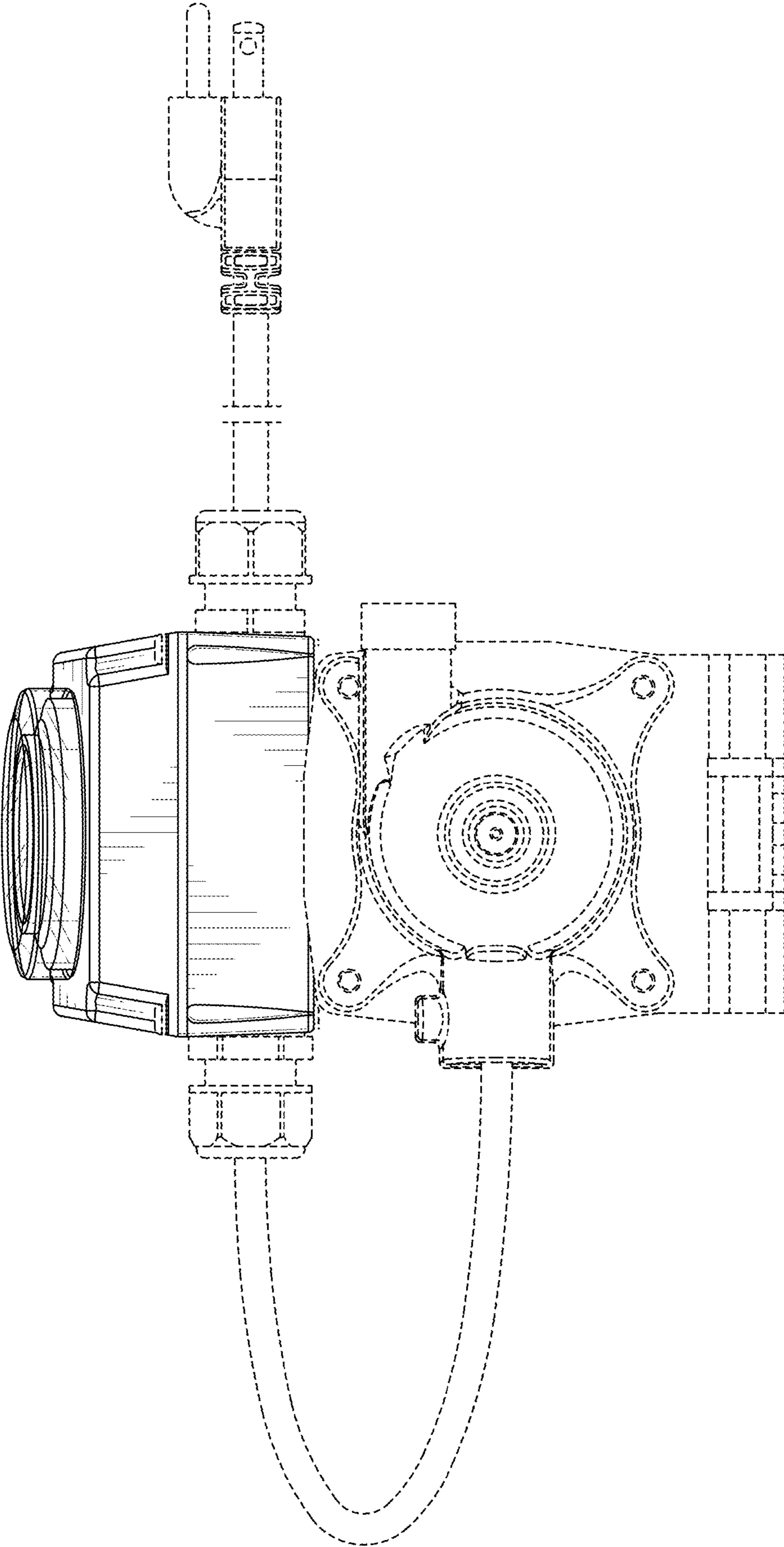


FIG. 2

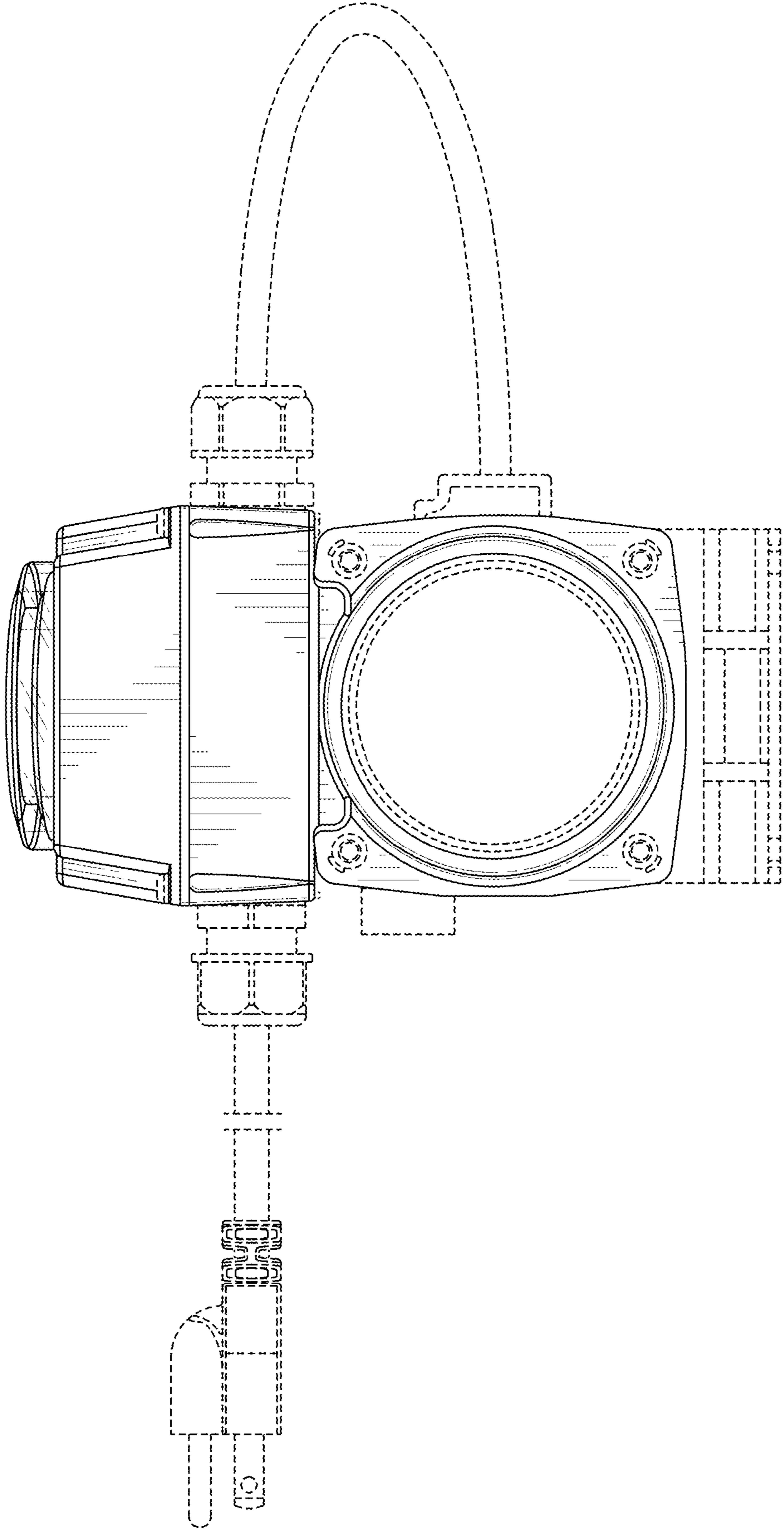


FIG. 3

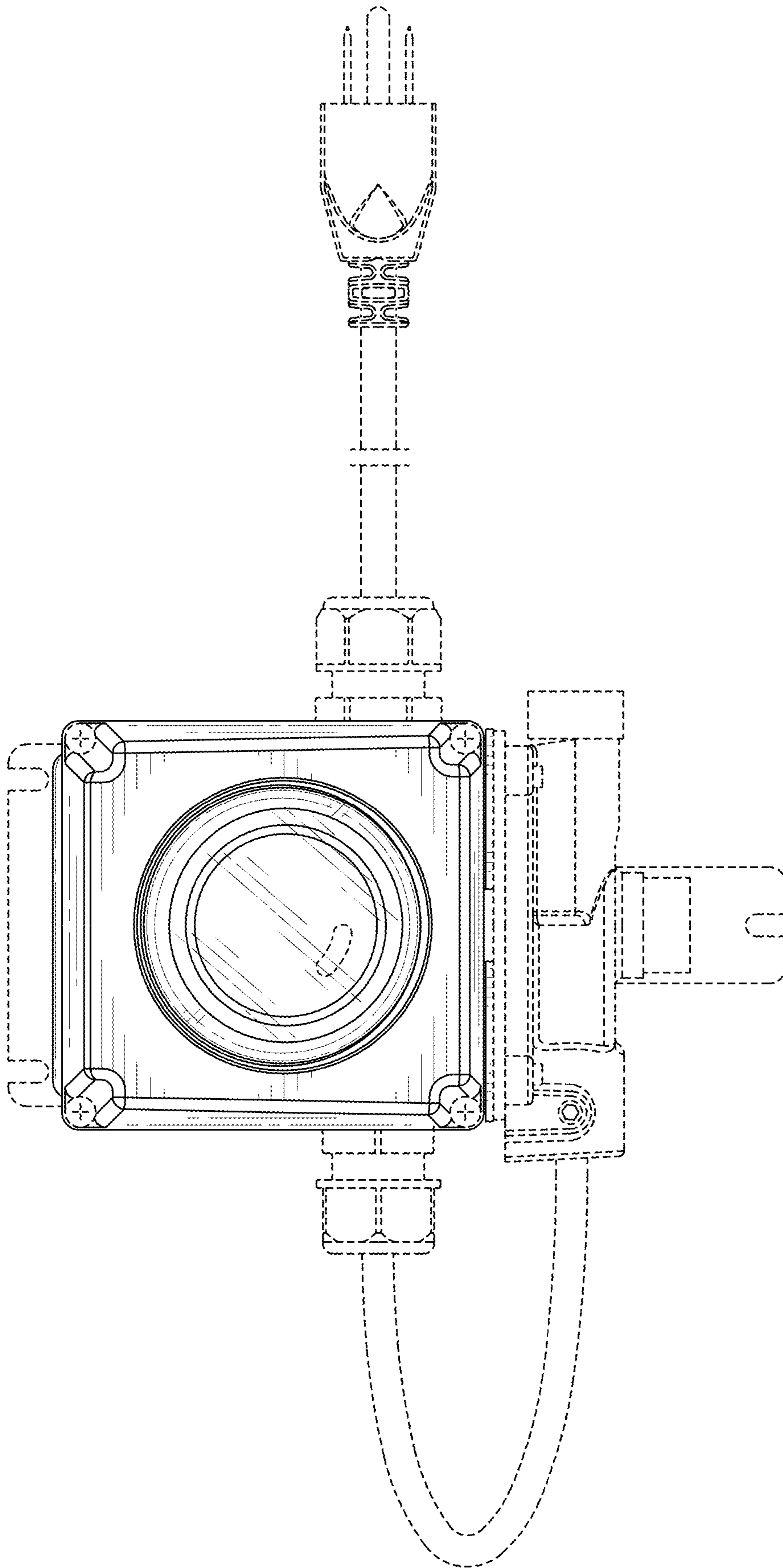


FIG. 4

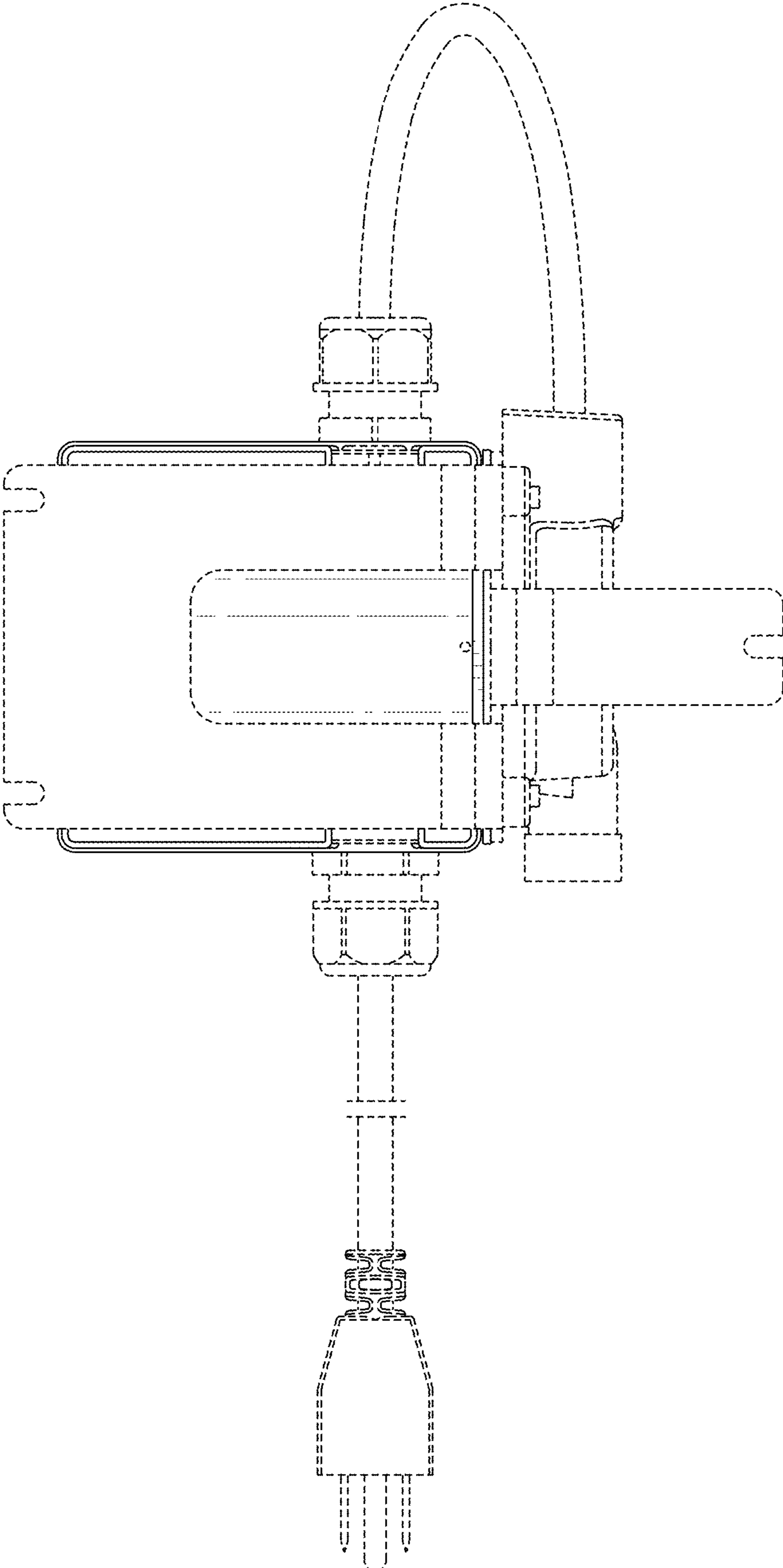


FIG. 5

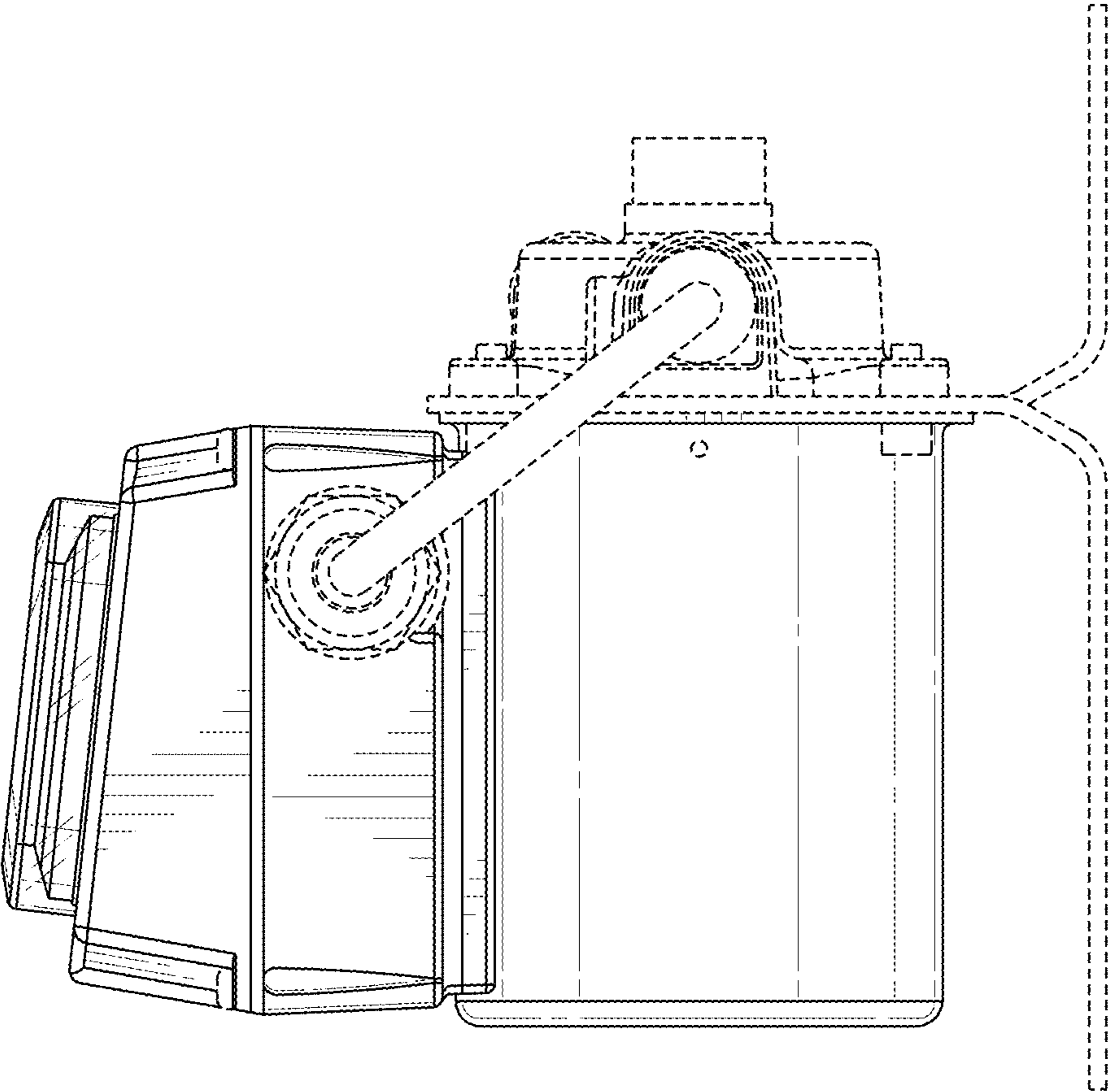


FIG. 6

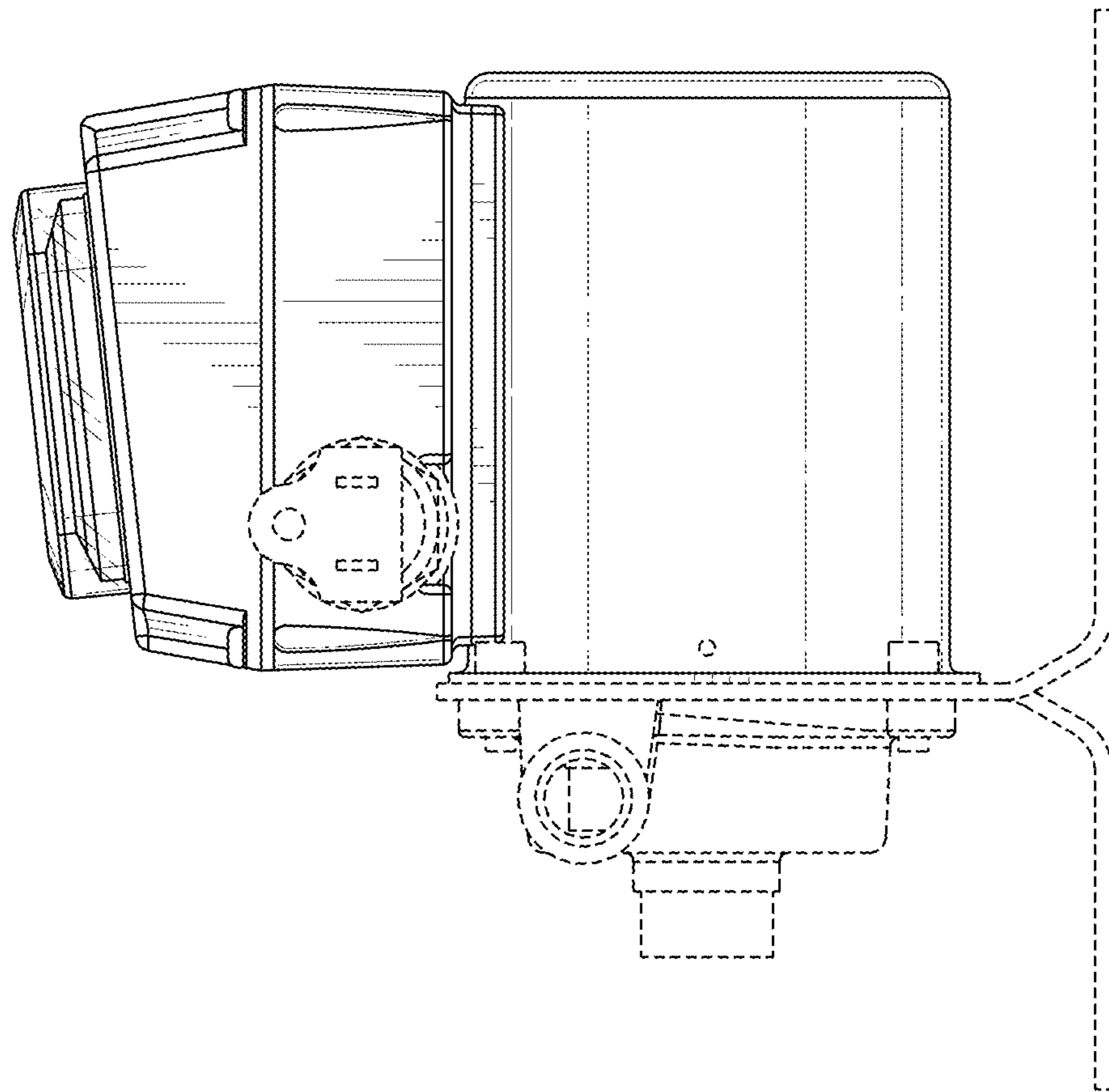


FIG. 7