

US00D960201S

(12) **United States Design Patent**  
**Murugesan**

(10) **Patent No.:** **US D960,201 S**

(45) **Date of Patent:** **\*\* Aug. 9, 2022**

(54) **TURBOCHARGER PEDESTAL**

(71) Applicant: **Powerhouse Engine Solutions**  
**Switzerland IP Holding GmbH, Zug**  
(CH)

(72) Inventor: **Ganesasubramanian Murugesan,**  
Bangalore (IN)

(73) Assignee: **Powerhouse Engine Solutions**  
**Switzerland IP Holding GmbH, Zug**  
(CH)

(\*\*) Term: **15 Years**

(21) Appl. No.: **29/738,295**

(22) Filed: **Jun. 16, 2020**

(51) **LOC (13) Cl.** ..... **15-01**

(52) **U.S. Cl.**  
USPC ..... **D15/5**

(58) **Field of Classification Search**  
USPC ..... D15/1, 2, 3, 4, 5, 6, 7, 199  
CPC ..... F02B 67/10; F02B 75/22; F02B 39/00;  
F01M 2011/021  
See application file for complete search history.

(56) **References Cited**

**U.S. PATENT DOCUMENTS**

- 7,043,915 B2 \* 5/2006 Anello ..... F01D 25/28  
248/637
- 7,810,466 B2 \* 10/2010 Preimesberger ..... F02B 67/10  
123/195 A
- 8,245,511 B2 \* 8/2012 Cowland ..... F02B 39/005  
60/624
- 10,364,741 B2 \* 7/2019 Higo ..... F02B 67/10

- 10,794,269 B2 \* 10/2020 Eriksson ..... F01P 3/20
- 2004/0168441 A1 \* 9/2004 Dumas ..... F02B 39/14  
60/612
- 2005/0257521 A1 \* 11/2005 Anello ..... F02B 67/10  
60/602
- 2008/0223329 A1 \* 9/2008 Preimesberger ..... F02B 67/10  
123/195 A
- 2009/0320472 A1 \* 12/2009 Cowland ..... F01M 11/02  
60/624
- 2013/0047605 A1 \* 2/2013 Drangel ..... F02C 6/12  
60/605.1
- 2019/0085757 A1 \* 3/2019 Uchibori ..... F02B 37/013

\* cited by examiner

*Primary Examiner* — Ania Aman

(74) *Attorney, Agent, or Firm* — McCoy Russell LLP

(57) **CLAIM**

The ornamental design for a turbocharger pedestal, as shown and described.

**DESCRIPTION**

FIG. 1 is a front-top-right perspective view of a turbocharger pedestal, according to the present invention.

FIG. 2 is a rear-top-right perspective view of the turbocharger pedestal.

FIG. 3 is a front view of the turbocharger pedestal.

FIG. 4 is a rear view of the turbocharger pedestal.

FIG. 5 is a left side view of the turbocharger pedestal.

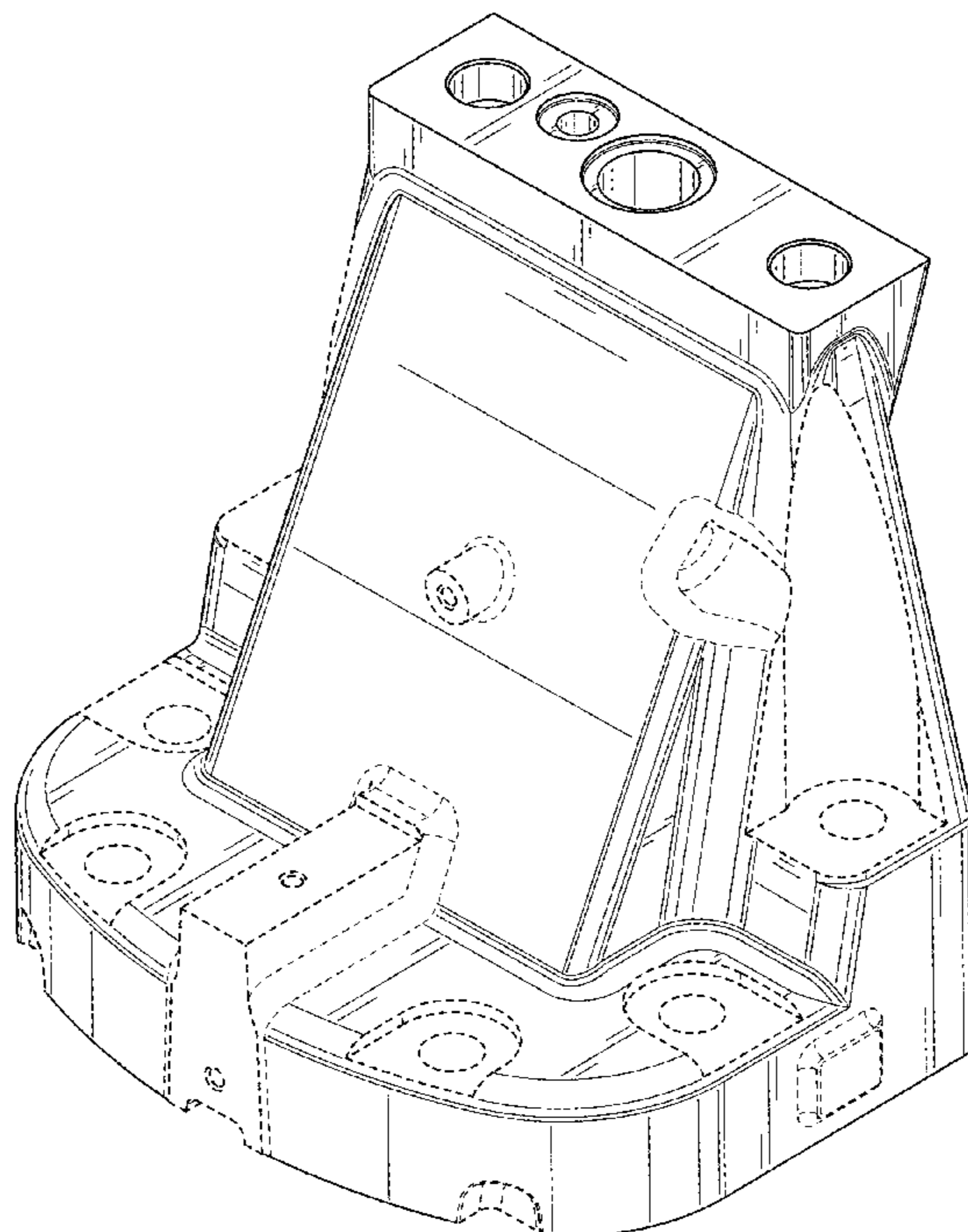
FIG. 6 is a right side view of the turbocharger pedestal.

FIG. 7 is a top view of the turbocharger pedestal; and,

FIG. 8 is a bottom view of the turbocharger pedestal.

The broken lines in FIGS. 1-8 illustrate portions of the turbocharger pedestal that form no part of the claimed design.

**1 Claim, 8 Drawing Sheets**



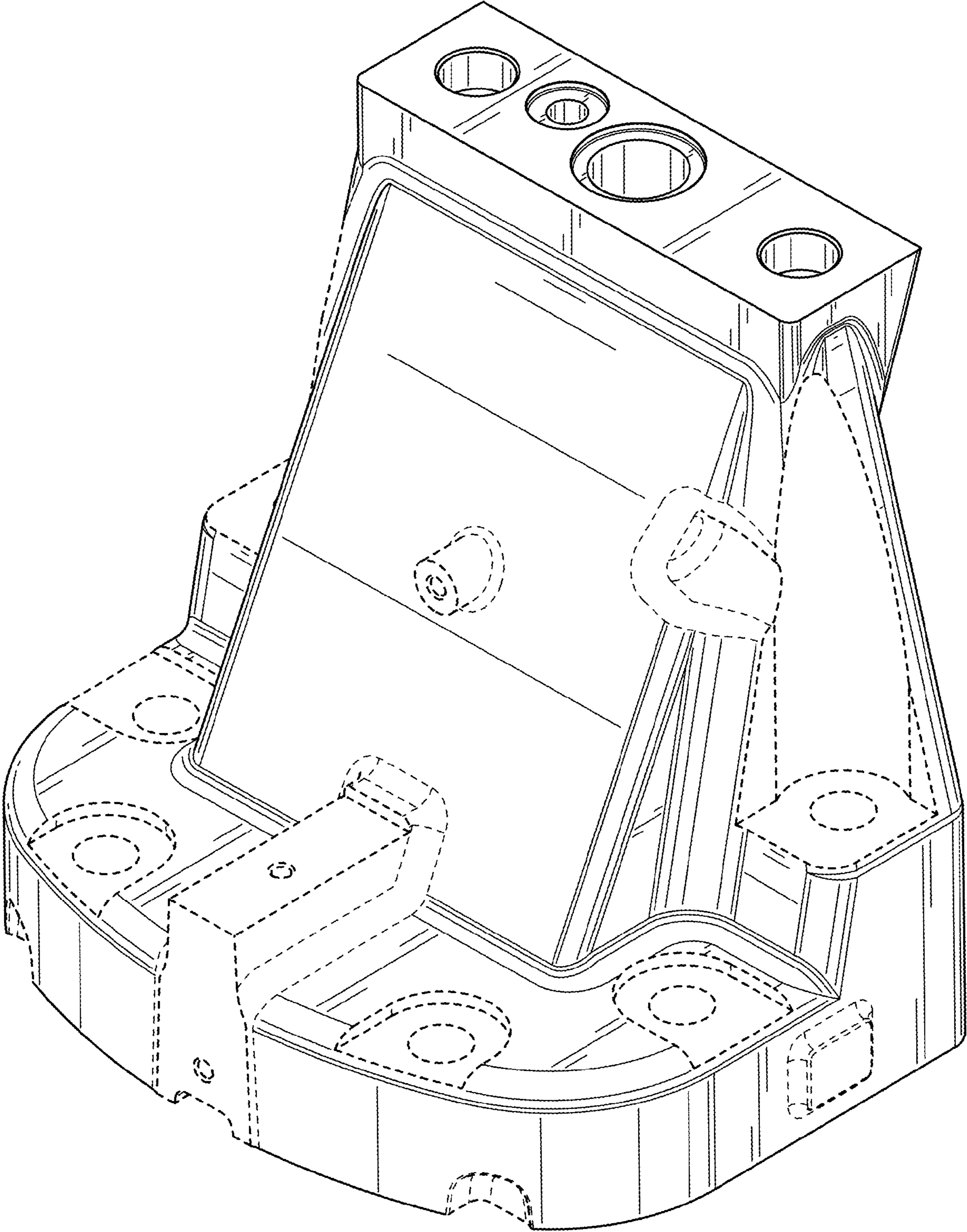


FIG. 1

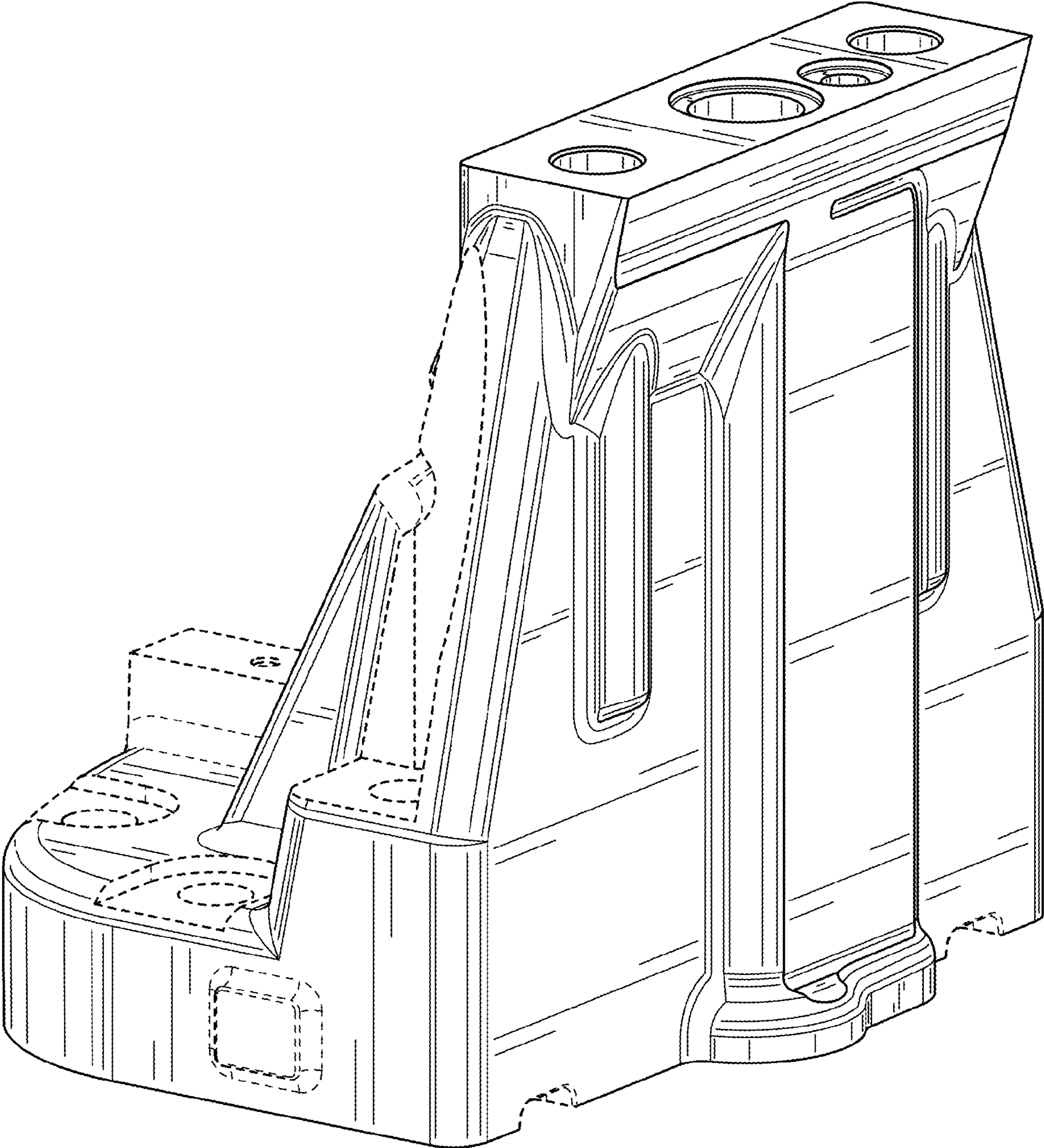


FIG. 2

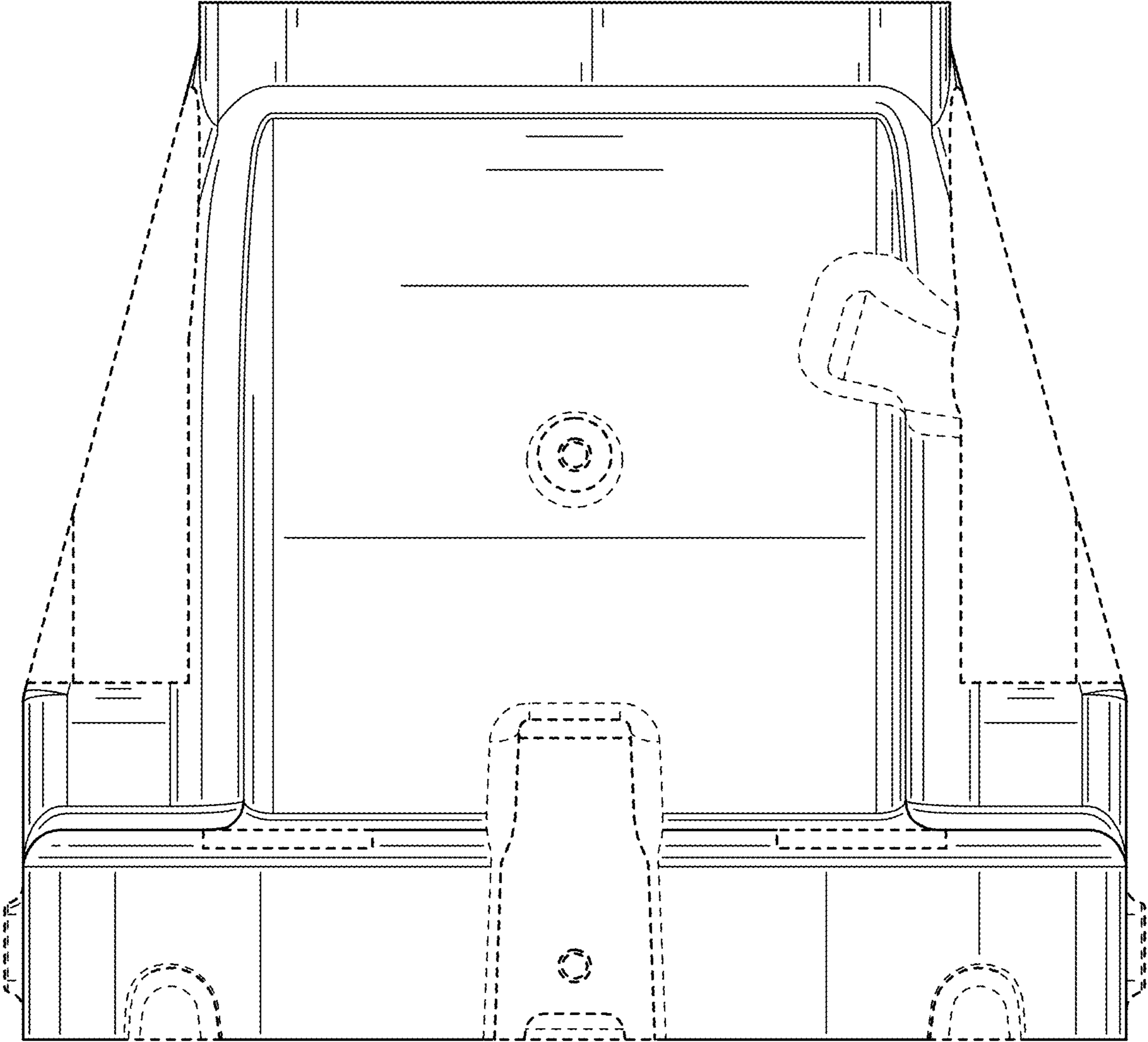


FIG. 3

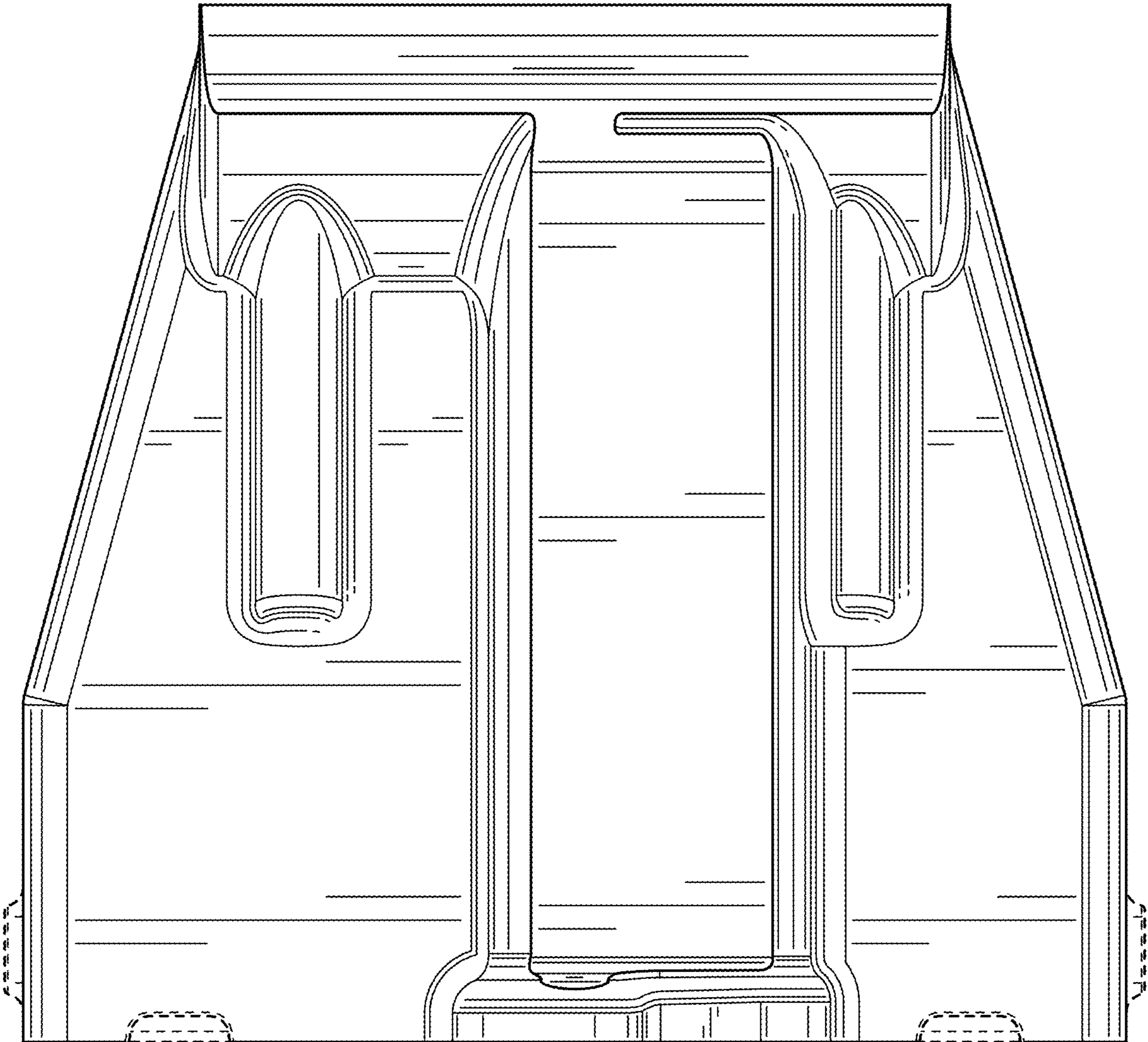


FIG. 4

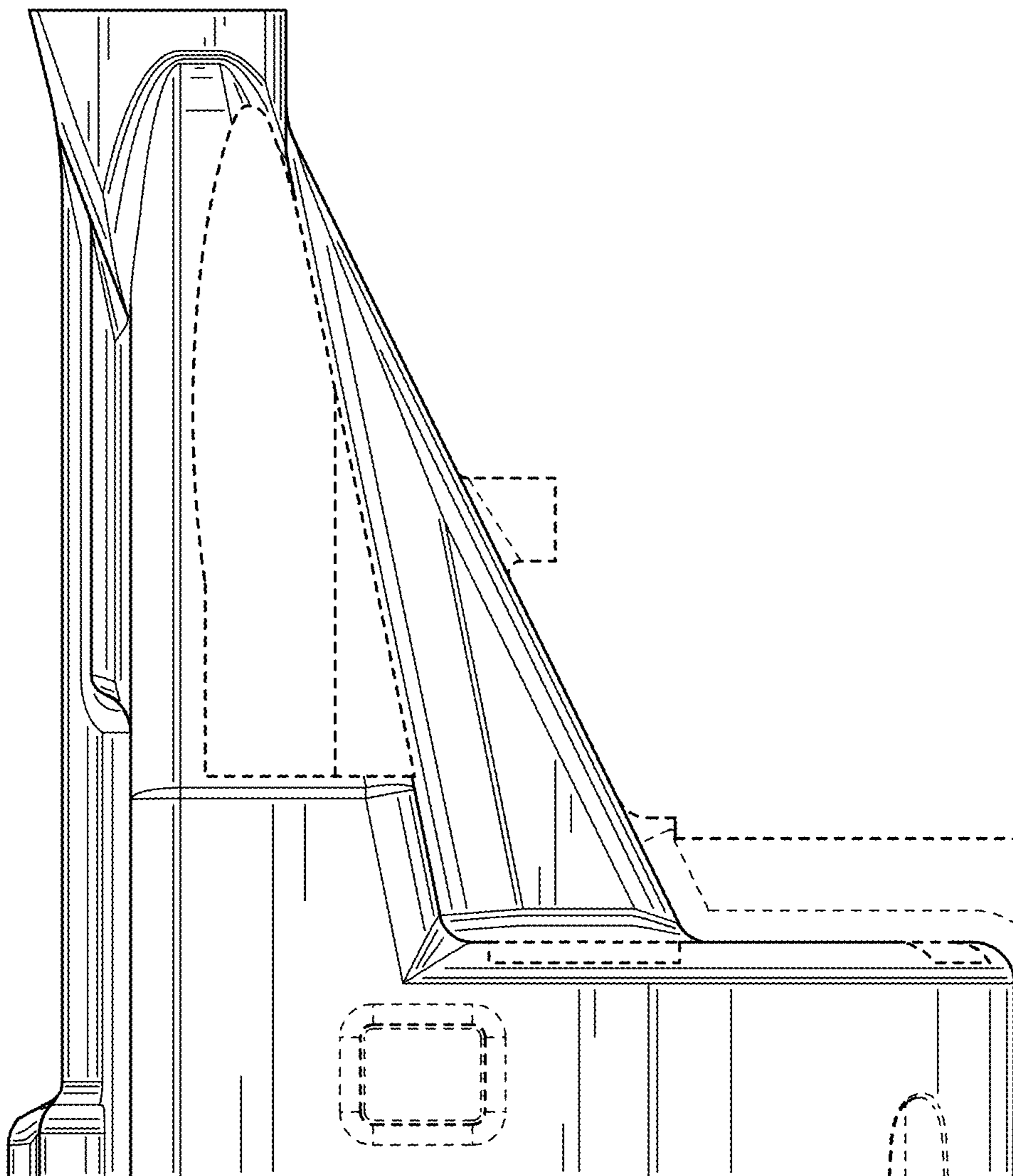


FIG. 5

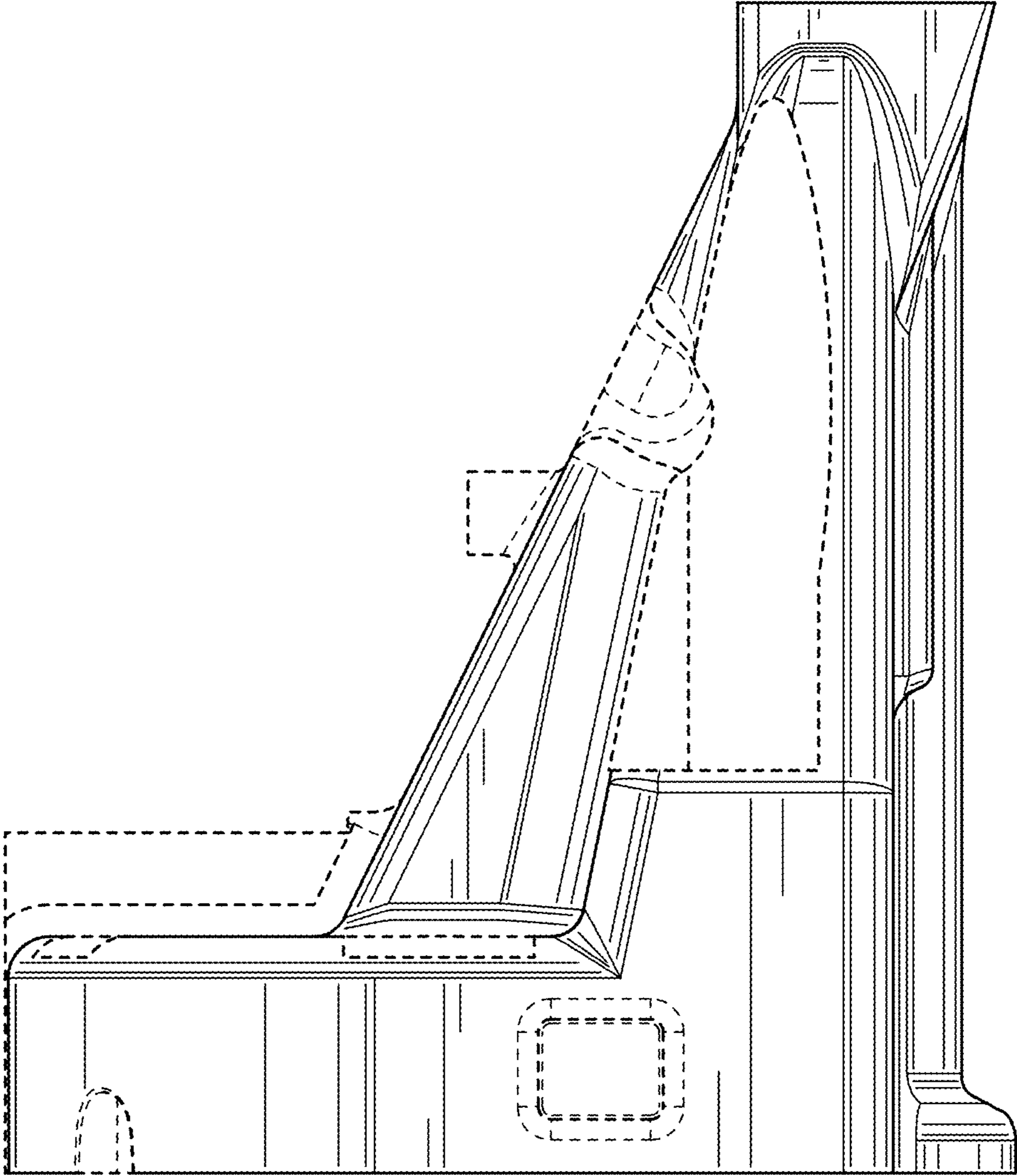


FIG. 6

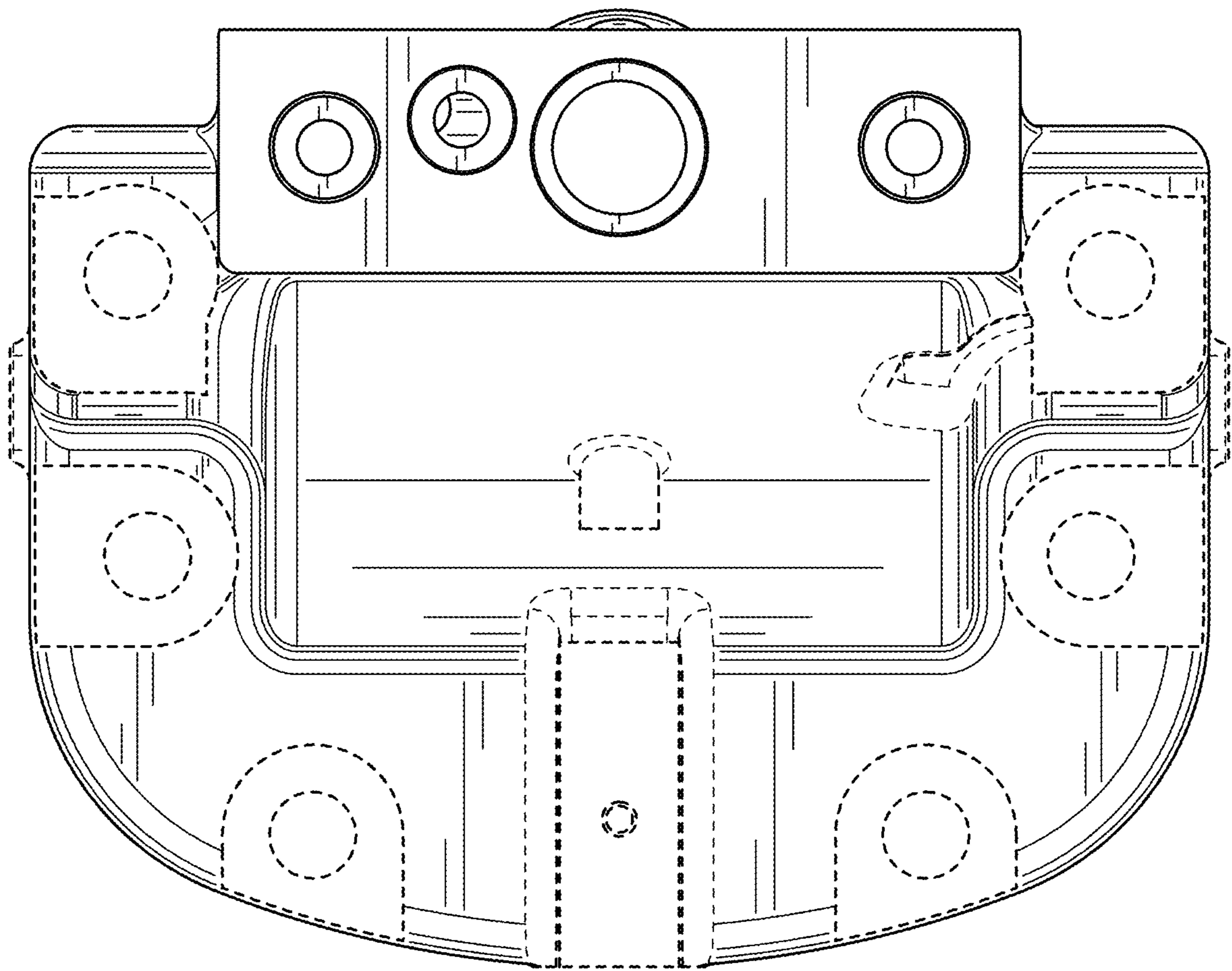


FIG. 7



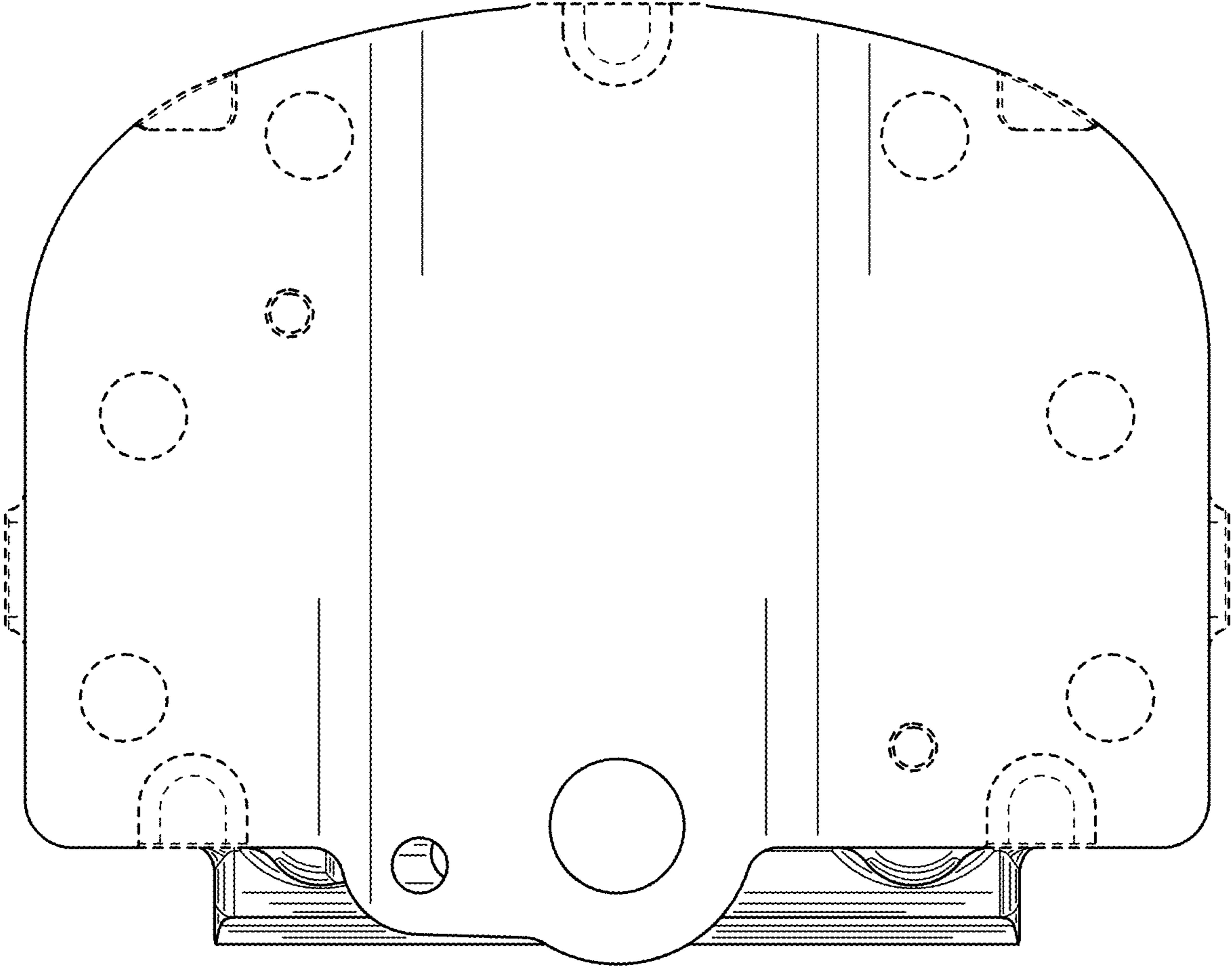


FIG. 8