

US00D960183S

(12) **United States Design Patent**  
**Kiikkala et al.**

(10) **Patent No.:** **US D960,183 S**  
(45) **Date of Patent:** **\*\* Aug. 9, 2022**

(54) **DISPLAY SCREEN OR PORTION THEREOF WITH ANIMATED GRAPHICAL USER INTERFACE**

(71) Applicant: **ABB Schweiz AG**, Baden (CH)

(72) Inventors: **Marko Kiikkala**, Laihia (FI); **Olli Rintamäki**, Vähäkylä (FI); **Tarmo Korhonen**, Parola (FI); **Kåre Särs**, Tölby (FI)

(73) Assignee: **ABB Schweiz AG**, Baden (CH)

(\*\*) Term: **15 Years**

(21) Appl. No.: **29/825,434**

(22) Filed: **Feb. 1, 2022**

**Related U.S. Application Data**

(62) Division of application No. 29/667,115, filed on Oct. 18, 2018, now Pat. No. Des. 947,208.

(30) **Foreign Application Priority Data**

Apr. 19, 2018 (EM) ..... 005240470

(51) **LOC (13) Cl.** ..... **14-04**

(52) **U.S. Cl.**  
USPC ..... **D14/485**

(58) **Field of Classification Search**

USPC ..... D14/485-495  
CPC .... G06F 1/1692; G06F 3/0484; G06F 3/0485;  
G06F 3/04845; G06F 3/04847; G06F  
2203/04806; H04L 41/22; H04L 12/282;  
H04L 67/025; H04N 1/00424; G11B  
19/025; G11B 19/027; B60H 1/00; G05B  
19/418

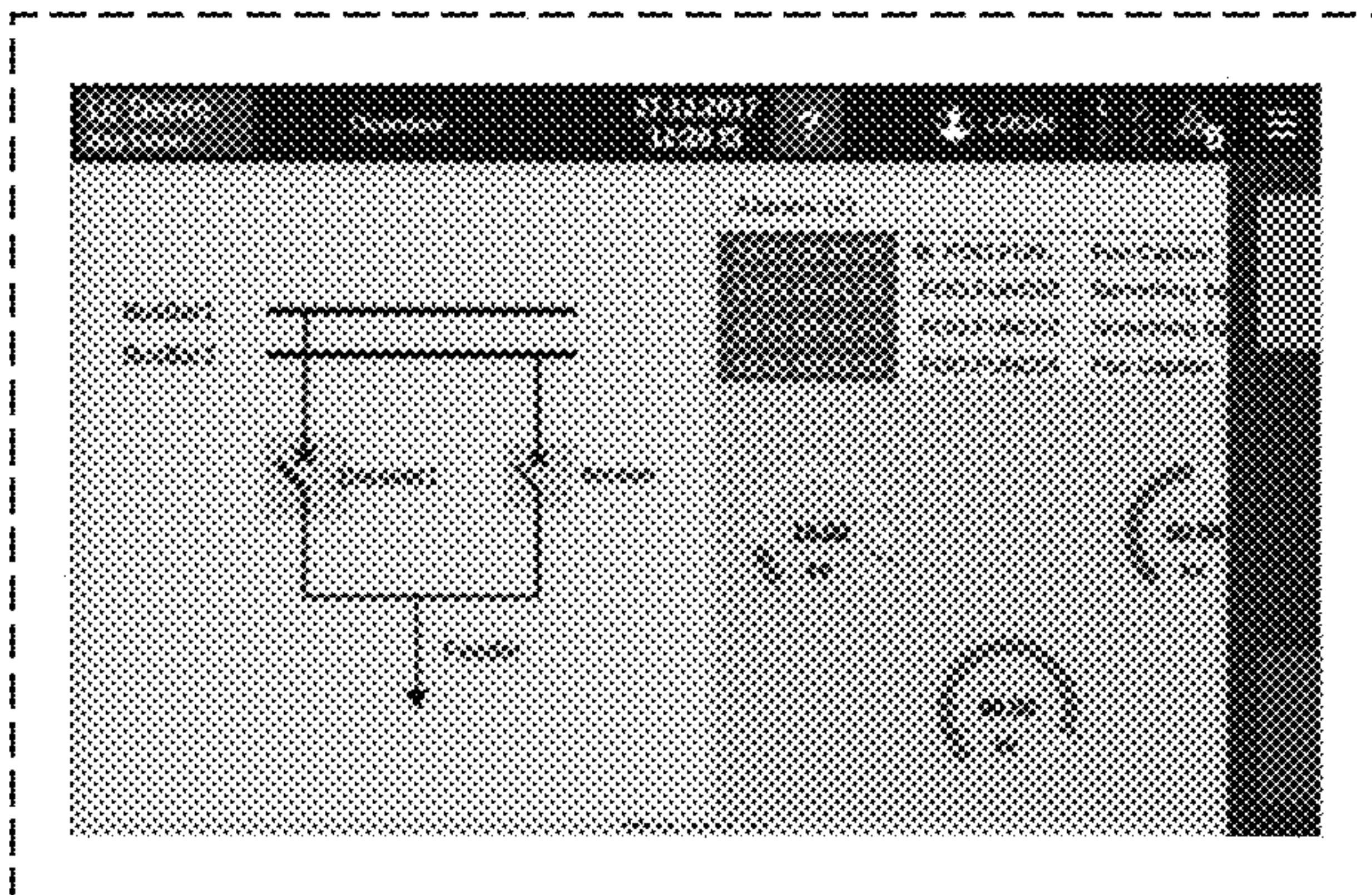
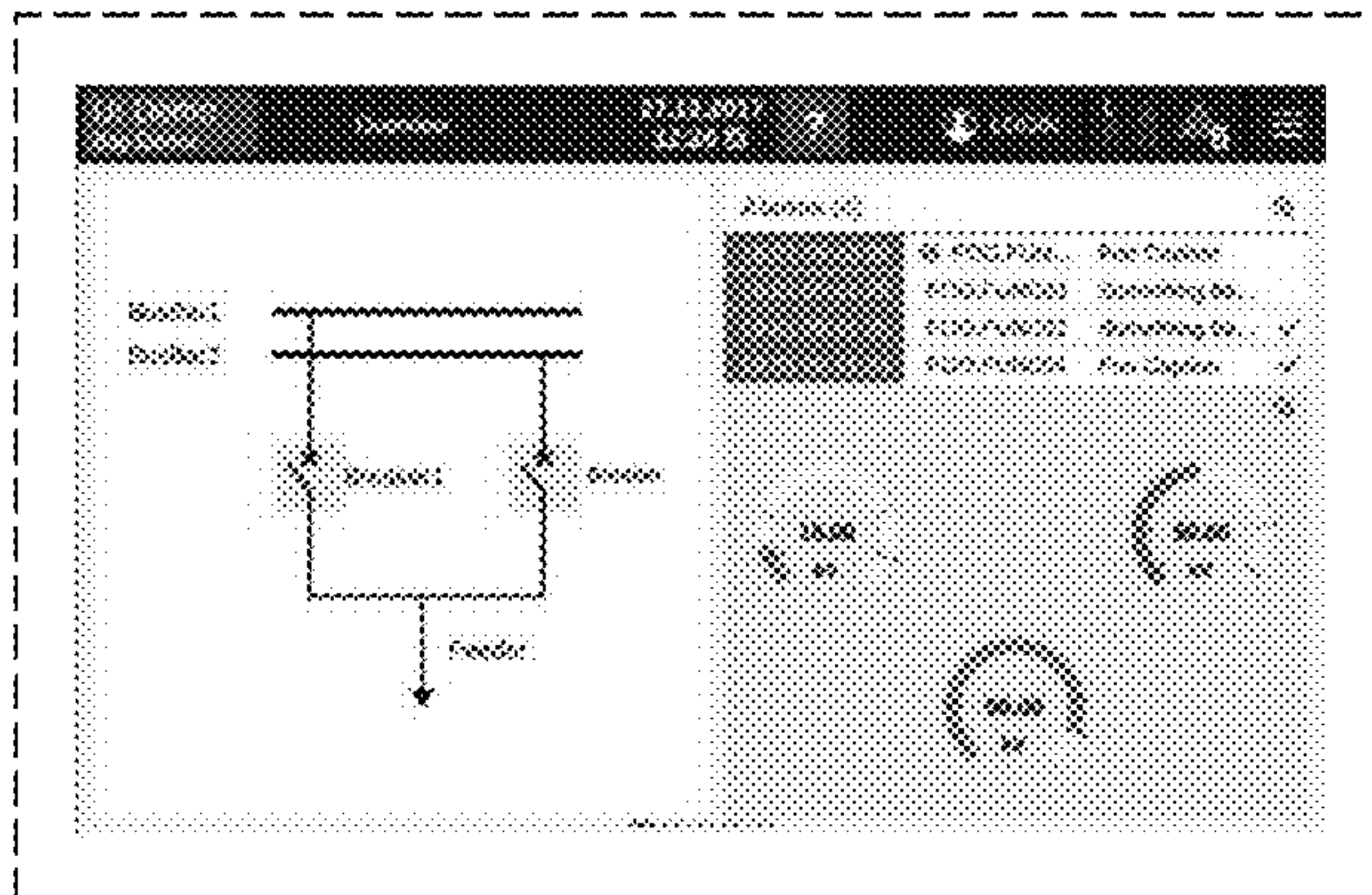
See application file for complete search history.

(56) **References Cited**

**U.S. PATENT DOCUMENTS**

D563,968 S 3/2008 Lewin et al.  
D596,755 S 7/2009 Labak

D600,249 S	9/2009	Nagata et al.	
D602,496 S	10/2009	Takano et al.	
D609,715 S	2/2010	Chaudhri	
D613,300 S	4/2010	Chaudhri	
D619,146 S	7/2010	Flik et al.	
D624,932 S	10/2010	Chaudhri	
D637,606 S	5/2011	Luke et al.	
D652,839 S	1/2012	Tokunaga et al.	
D656,153 S	3/2012	Imamura et al.	
D661,313 S	6/2012	Nenoki	
D678,306 S	3/2013	Philopoulos	
D681,049 S	4/2013	Freiberger	
D691,626 S	10/2013	Philopoulos	
D696,678 S	12/2013	Bae et al.	
D697,079 S	1/2014	Yuk et al.	
D697,933 S	1/2014	Lee et al.	
D697,936 S	1/2014	Lee et al.	
D698,816 S	2/2014	Phelan et al.	
D701,527 S	3/2014	Brinda et al.	
D705,250 S	5/2014	Khanna	
D707,249 S	6/2014	Yamada et al.	
D709,516 S	7/2014	Nakada et al.	
D716,338 S	10/2014	Lee	
D718,781 S	12/2014	Arnold et al.	
D719,183 S	12/2014	Kuwahara	
D721,722 S	1/2015	Lee	
D722,321 S	2/2015	Lee et al.	
D722,609 S	2/2015	Lee et al.	
D726,202 S	4/2015	Zürn	
D730,375 S	5/2015	Philopoulos	
D732,560 S	6/2015	Capela et al.	
D733,162 S	6/2015	Aoshima	
D736,244 S	8/2015	Kang	
D737,309 S	8/2015	Kito et al.	
D739,871 S	9/2015	Arriola et al.	
D742,901 S	11/2015	Choi et al.	
D745,028 S	12/2015	Hwang et al.	
D746,834 S	1/2016	Gray et al.	
D747,333 S	* 1/2016	Supino ..... D14/486	
D748,126 S	* 1/2016	Sarukkai ..... D14/486	
D749,098 S	2/2016	Moon et al.	
D749,099 S	2/2016	Moon et al.	
D749,605 S	2/2016	Choi et al.	
D751,095 S	3/2016	Moon et al.	
D752,634 S	3/2016	Yoon et al.	
D754,148 S	4/2016	Yoon et al.	
D755,815 S	5/2016	Seo et al.	
D756,385 S	5/2016	Kim et al.	
D758,421 S	6/2016	Liu et al.	
D758,424 S	6/2016	Ding et al.	
D759,085 S	6/2016	Anzures et al.	
D759,684 S	* 6/2016	Bijlani ..... D14/486	
D761,284 S	7/2016	Nguyen et al.	





D761,285 S	7/2016	Kim et al.	
D761,302 S	7/2016	Rodriguez	
D761,802 S	7/2016	Moon et al.	
D765,666 S *	9/2016	Omiya .....	D14/485
D766,948 S	9/2016	Gebauer et al.	
D766,958 S *	9/2016	Salazar Cardozo .....	D14/486
D767,906 S	10/2016	Chu	
D783,037 S *	4/2017	Hariharan .....	D14/491
D783,670 S	4/2017	Gomez et al.	
D786,289 S	5/2017	Kim et al.	
D791,185 S	7/2017	Kim et al.	
D793,411 S	8/2017	Chaudhri et al.	
D795,900 S *	8/2017	Bischoff .....	D14/486
D795,919 S *	8/2017	Bischoff .....	D14/488
D797,767 S	9/2017	Esselstrom et al.	
D798,894 S	10/2017	Ibsies	
D799,537 S	10/2017	Lalor et al.	
D800,738 S	10/2017	Xu et al.	
D800,764 S	10/2017	Thoreson	
D801,989 S	11/2017	Iketsuki et al.	
D803,231 S	11/2017	Guinness et al.	
D804,524 S	12/2017	Zin et al.	
D807,902 S	1/2018	Cong et al.	
D808,397 S	1/2018	Beaty et al.	
D809,544 S *	2/2018	Ambielli .....	B33Y 70/00 D14/486
D811,425 S *	2/2018	Olsen .....	D14/486
D813,885 S	3/2018	Soh	
D814,489 S	4/2018	Ahmad et al.	
D816,689 S	5/2018	Chalker et al.	
D819,067 S	5/2018	Behzadi et al.	
D819,672 S	6/2018	Nakae et al.	
D820,297 S *	6/2018	Gardner .....	D14/486
D826,965 S	8/2018	Smith et al.	
D830,378 S	10/2018	Li et al.	
D830,380 S	10/2018	Alan	
D831,039 S	10/2018	Amini et al.	
D836,120 S	12/2018	Dudey	
D836,652 S	12/2018	Fowler et al.	
D837,256 S	1/2019	Arriola et al.	
D838,734 S *	1/2019	Kruse .....	D14/486
D838,852 S	1/2019	Sottas et al.	
D839,913 S	2/2019	Chen et al.	
D840,421 S	2/2019	Chalker et al.	
D841,663 S	2/2019	Yuguchi et al.	
D841,665 S	2/2019	Matheson et al.	
D841,675 S	2/2019	Hoffman et al.	
D842,314 S	3/2019	Govindan Sankar Selvan et al.	
D842,319 S	3/2019	Kawaichi et al.	
D843,386 S	3/2019	Shewman	
D843,387 S	3/2019	Yuguchi et al.	
D847,165 S *	4/2019	Kolbenheyer .....	D14/486
D850,474 S	6/2019	Karunamuni	
D854,561 S *	7/2019	Field .....	D14/486
D860,231 S *	9/2019	Hussain .....	D14/486
D862,512 S	10/2019	Schubart	
D867,374 S *	11/2019	Flood .....	D14/485
D870,762 S	12/2019	Mendoza Corominas et al.	
D872,107 S *	1/2020	Nanjappan .....	D14/485
D872,121 S	1/2020	Einspahr et al.	
D872,754 S *	1/2020	Kuwata .....	D14/485
D875,108 S	2/2020	Chitalia et al.	
D877,171 S *	3/2020	Poindexter .....	D14/486
D877,753 S	3/2020	Chitalia et al.	
D880,498 S *	4/2020	Shahidi .....	D14/485
D882,607 S	4/2020	Behzadi et al.	
D886,143 S	6/2020	Kuchibhotla et al.	
D886,834 S	6/2020	Chitalia et al.	
D892,819 S *	8/2020	Mensinger .....	D14/485
D893,519 S *	8/2020	Aketa .....	D14/485
D899,438 S *	10/2020	Crafts .....	D14/485
D901,518 S *	11/2020	Ganguangco .....	D14/485
D902,946 S *	11/2020	Doti .....	D14/486
D911,352 S *	2/2021	Stroier .....	D14/485
D911,356 S	2/2021	Varghese et al.	
D911,379 S	2/2021	Gatlin et al.	
D912,078 S	3/2021	Pellow et al.	
D914,046 S	3/2021	Tsukahara et al.	
D914,718 S	3/2021	Sakuma	

D915,418 S *	4/2021	Osborne .....	D14/485
D915,455 S	4/2021	Meier	
D915,456 S	4/2021	Meier	
D916,864 S *	4/2021	Cui .....	D14/488
D917,503 S *	4/2021	Sakurai .....	D14/485
D921,021 S *	6/2021	Hussain .....	D14/486
D921,673 S *	6/2021	Kmak .....	D14/488
D921,680 S *	6/2021	Kmak .....	D14/486
D921,683 S *	6/2021	Kmak .....	D14/486
D924,254 S *	7/2021	Sahu .....	D14/485
D925,595 S *	7/2021	Smith .....	D14/488
D926,782 S *	8/2021	Murphy .....	D14/485
D930,034 S *	9/2021	Foubert .....	D14/488
D930,701 S *	9/2021	Jung .....	D14/492
D931,870 S *	9/2021	Habarakada .....	D14/485
D931,875 S *	9/2021	Dailey .....	D14/485
D932,511 S *	10/2021	Alt .....	D14/486
D934,916 S *	11/2021	Caro .....	D14/495
D935,475 S *	11/2021	Ryu .....	D14/485
D936,075 S *	11/2021	Algarra Jaimes .....	D14/485
D936,088 S *	11/2021	Omoigui .....	D14/486
D936,702 S *	11/2021	Chen .....	D14/490
D937,876 S *	12/2021	Harvey .....	D14/486
D938,442 S *	12/2021	Varga .....	D14/485

OTHER PUBLICATIONS

Skypack.com, react-circle-progress-bar, published Aug. 12, 2020 [online] byskypack.com. Site accessed Mar. 21, 2022. Site available at URL: <<https://www.skypack.dev/view/react-circle-progress-bar>>.\*

CSS Coder, published Feb. 28, 2020 [online] by YouTube.com. Site accessed Mar. 21, 2022. Site available at URL: <<https://www.youtube.com/watch?v=cmAeMnpukaQ>>.\*

Satya Achmad, published Nov. 17, 2016 [online] by YouTube.com. Site accessed Mar. 21, 2022. Site available at URL: <<https://www.youtube.com/watch?v=arxejXBjgLI&t=7s>>.\*

PK: An Excel Expert, published Aug. 19, 2019 [online] by YouTube.com. Site accessed Mar. 21, 2022. Site available at URL: <<https://www.youtube.com/watch?v=6elsgUeEi8Y>>.\*

TDM UI, published Oct. 29, 2021 [online] by YouTube.com. Site accessed Mar. 21, 2022. Site available at URL: <[https://www.youtube.com/watch?v=YeZDIi\\_Axl0&t=206s](https://www.youtube.com/watch?v=YeZDIi_Axl0&t=206s)>.\*

\* cited by examiner

*Primary Examiner* — Daniel J Domino  
(74) *Attorney, Agent, or Firm* — Leydig, Voit & Mayer, Ltd.

(57) **CLAIM**

The ornamental design for display screen or portion thereof with animated graphical user interface, as shown and described.

**DESCRIPTION**

The patent or application file contains at least one drawing executed in color. Copies of this patent or patent application publication with color drawing(s) will be provided by the Office upon request and payment of the necessary fee.

FIG. 1 is a front view of a display screen or portion thereof with animated graphical user interface showing a first image in the sequence;

FIG. 2 is a second image thereof;

FIG. 3 is a third image thereof;

FIG. 4 is a fourth image thereof;

FIG. 5 is a second embodiment showing a front view of a display screen or portion thereof with animated graphical user interface showing a first image in the sequence;

FIG. 6 is a second image thereof;

FIG. 7 is a third image thereof;  
FIG. 8 is a fourth image thereof  
FIG. 9 is a third embodiment showing a front view of a display screen or portion thereof with animated graphical user interface showing a first image in the sequence;  
FIG. 10 is a second image thereof;  
FIG. 11 is a third image thereof;  
FIG. 12 is a fourth image thereof  
FIG. 13 is a fourth embodiment showing a front view of a display screen or portion thereof with animated graphical user interface showing a first image in the sequence;  
FIG. 14 is a second image thereof;  
FIG. 15 is a third image thereof;  
FIG. 16 is a fourth image thereof  
FIG. 17 is a fifth embodiment showing a front view of a display screen or portion thereof with animated graphical user interface showing a first image in the sequence;  
FIG. 18 is a second image thereof;  
FIG. 19 is a third image thereof;

FIG. 20 is a fourth image thereof  
FIG. 21 is a sixth embodiment showing a front view of a display screen or portion thereof with animated graphical user interface showing a first image in the sequence;  
FIG. 22 is a second image thereof;  
FIG. 23 is a third image thereof; and,  
FIG. 24 is a fourth image thereof.  
The appearance of the animated graphical user interface transitions sequentially between the images shown in FIGS. 1-4 in embodiment 1, FIGS. 5-8 in embodiment 2, FIGS. 9-12 in embodiment 3, FIGS. 13-16 in embodiment 4, FIGS. 17-20 in embodiment 5, and FIGS. 21-24 in embodiment 6. The process or period in which one image transitions to another forms no part of the claimed design.  
The broken lines showing a display screen or portion thereof and elements of the graphical user interface illustrate portions of the article, and form no part of the claimed design.

**1 Claim, 24 Drawing Sheets  
(24 of 24 Drawing Sheet(s) Filed in Color)**



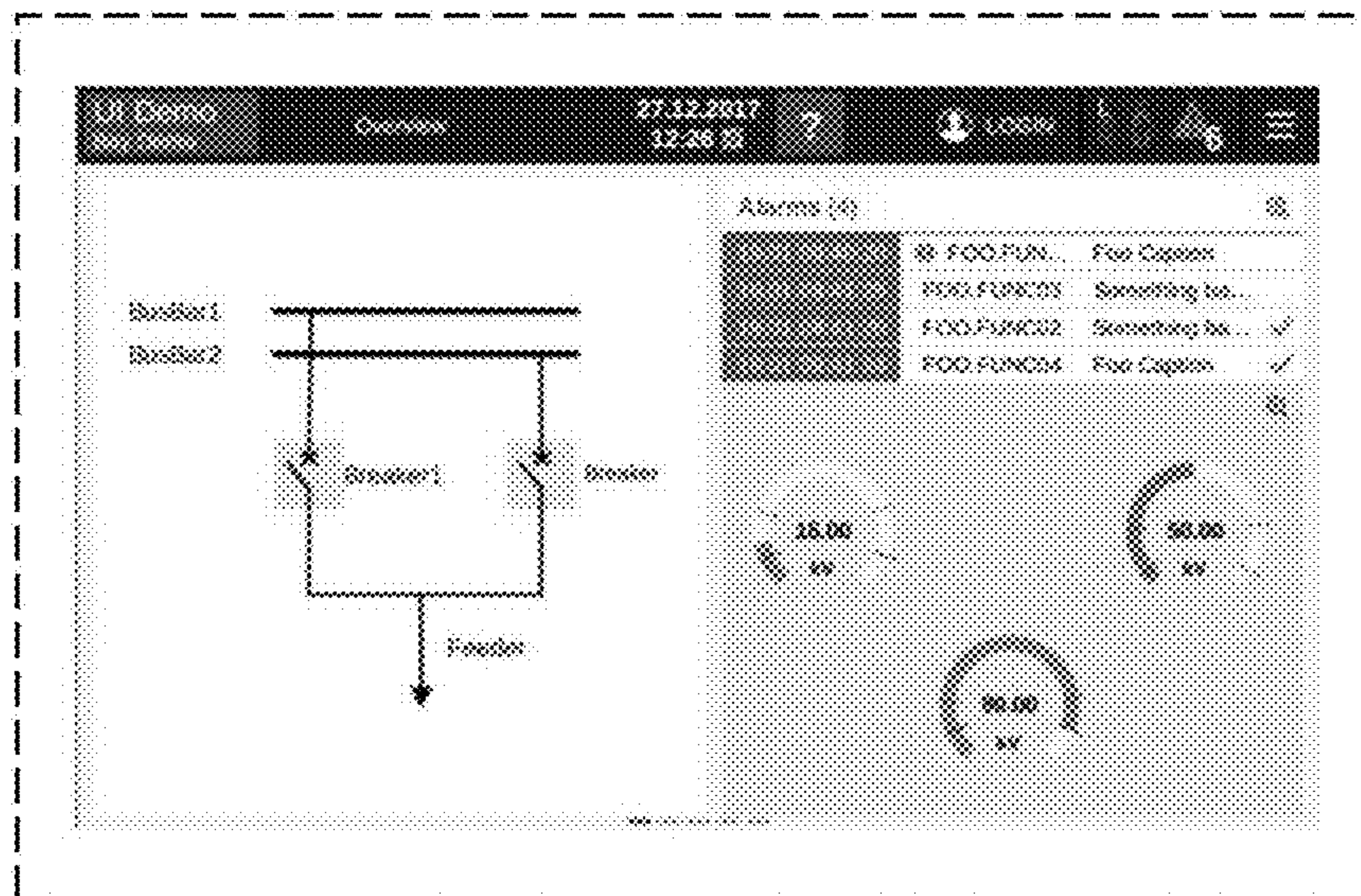


Figure 1

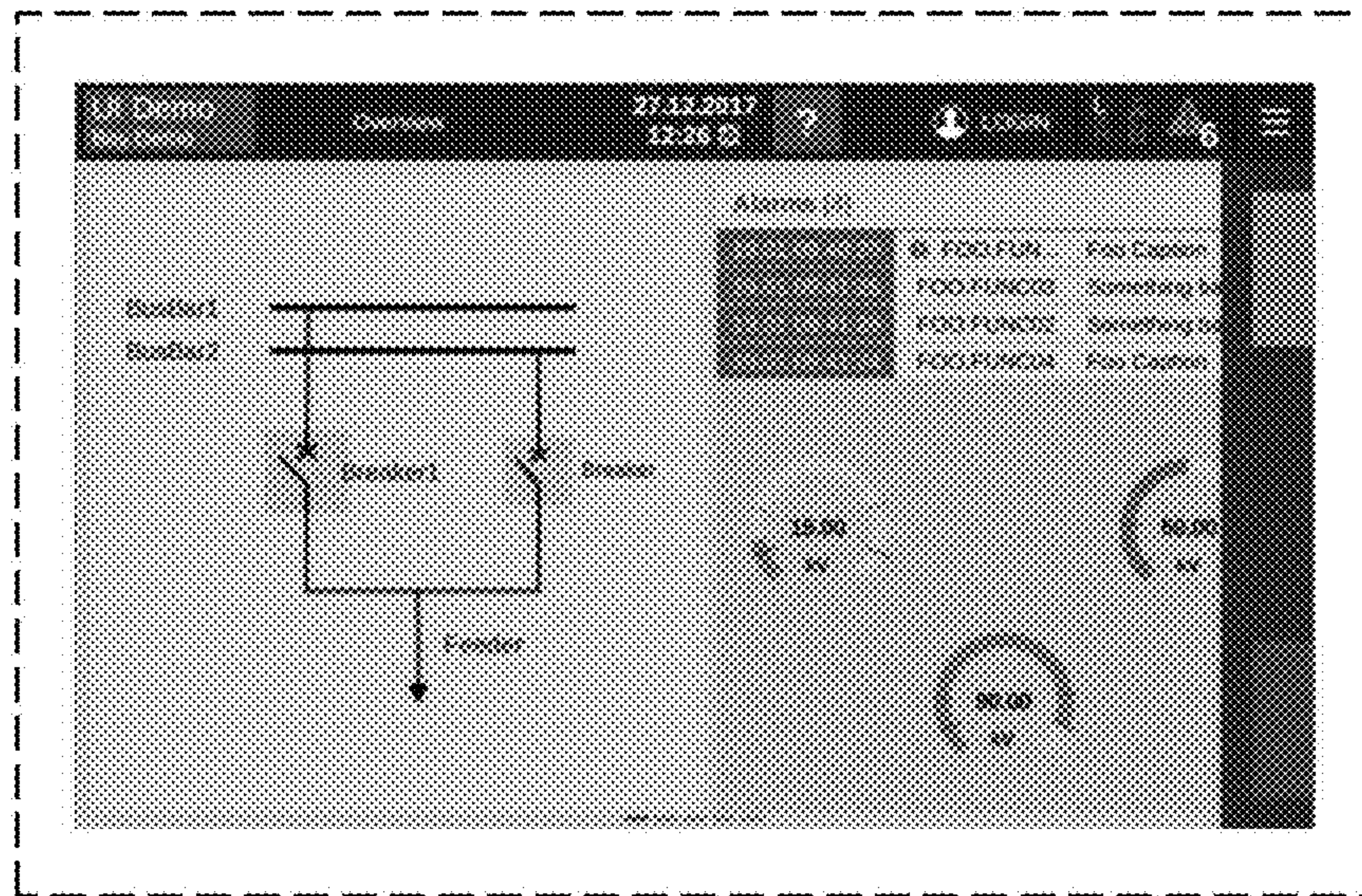


Figure 2

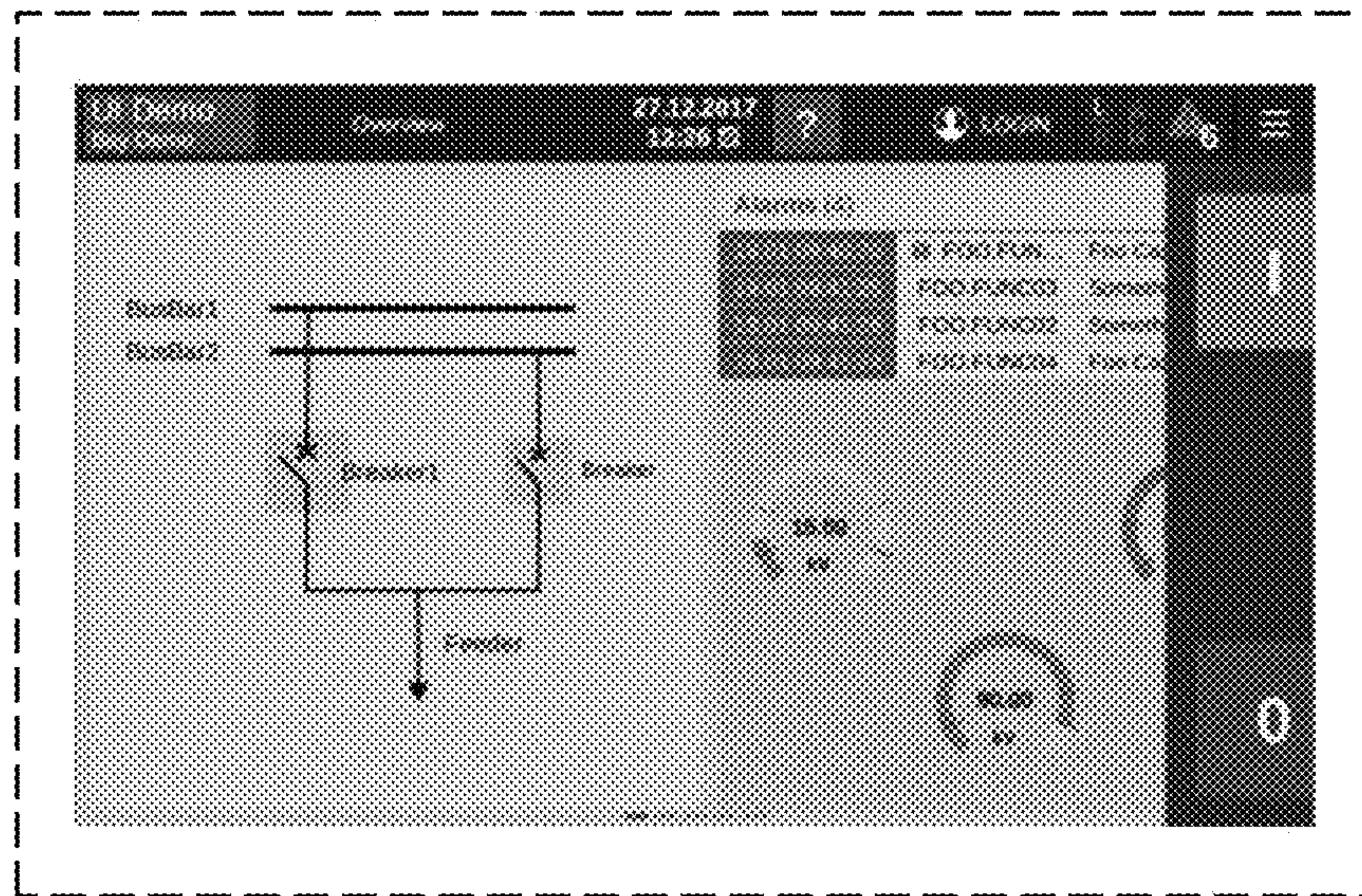


Figure 3



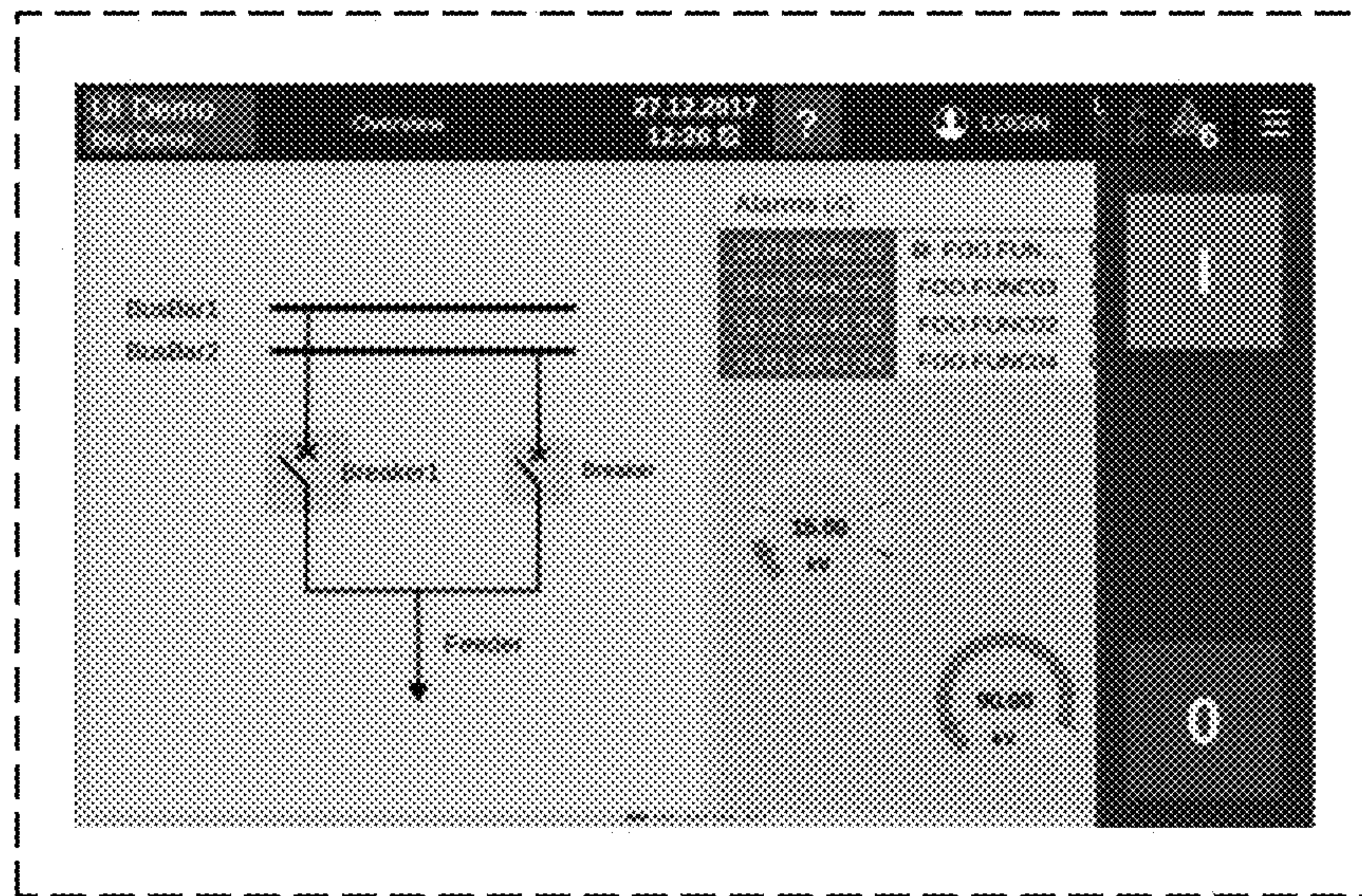


Figure 4

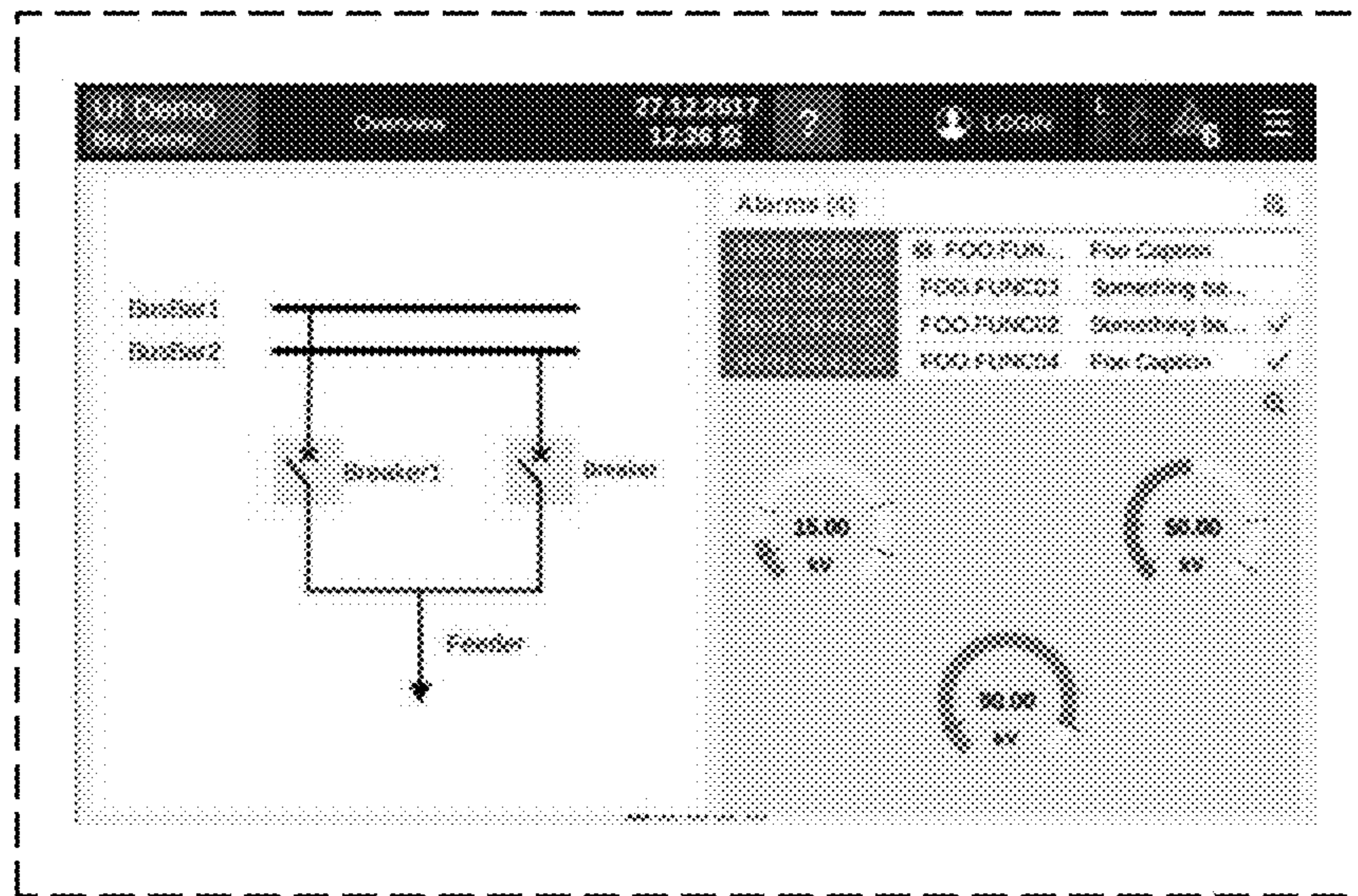


Figure 5



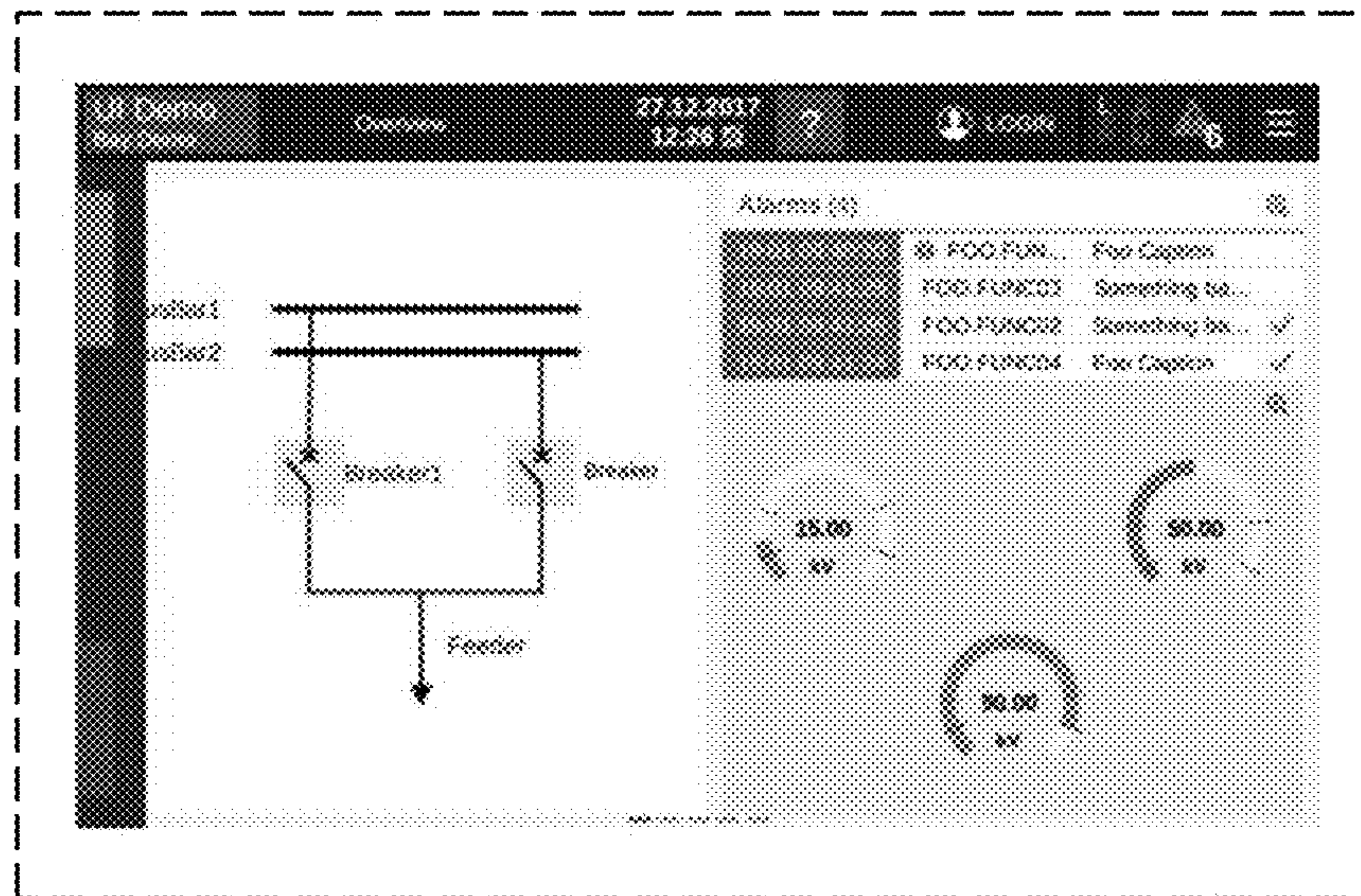


Figure 6

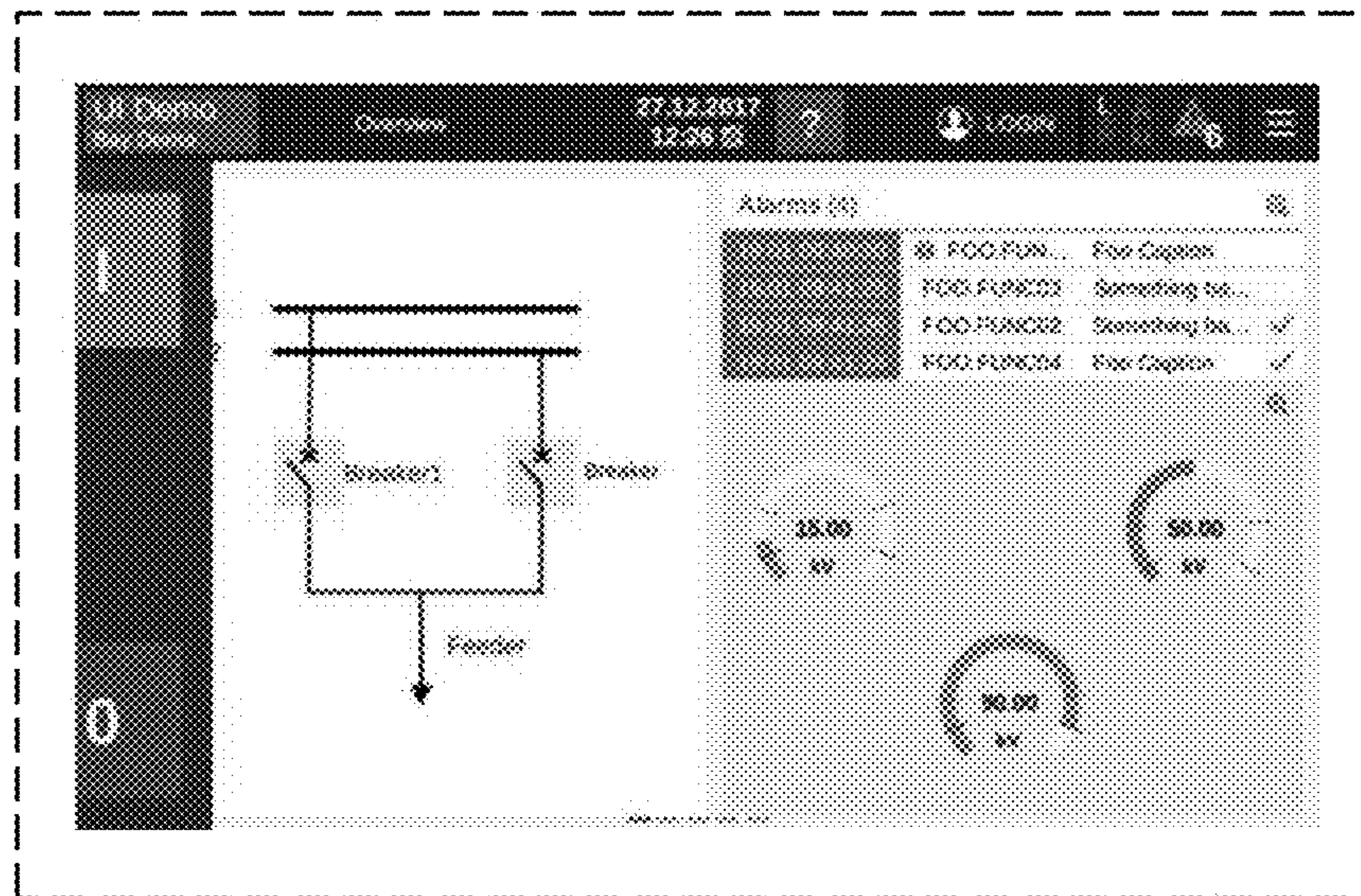


Figure 7



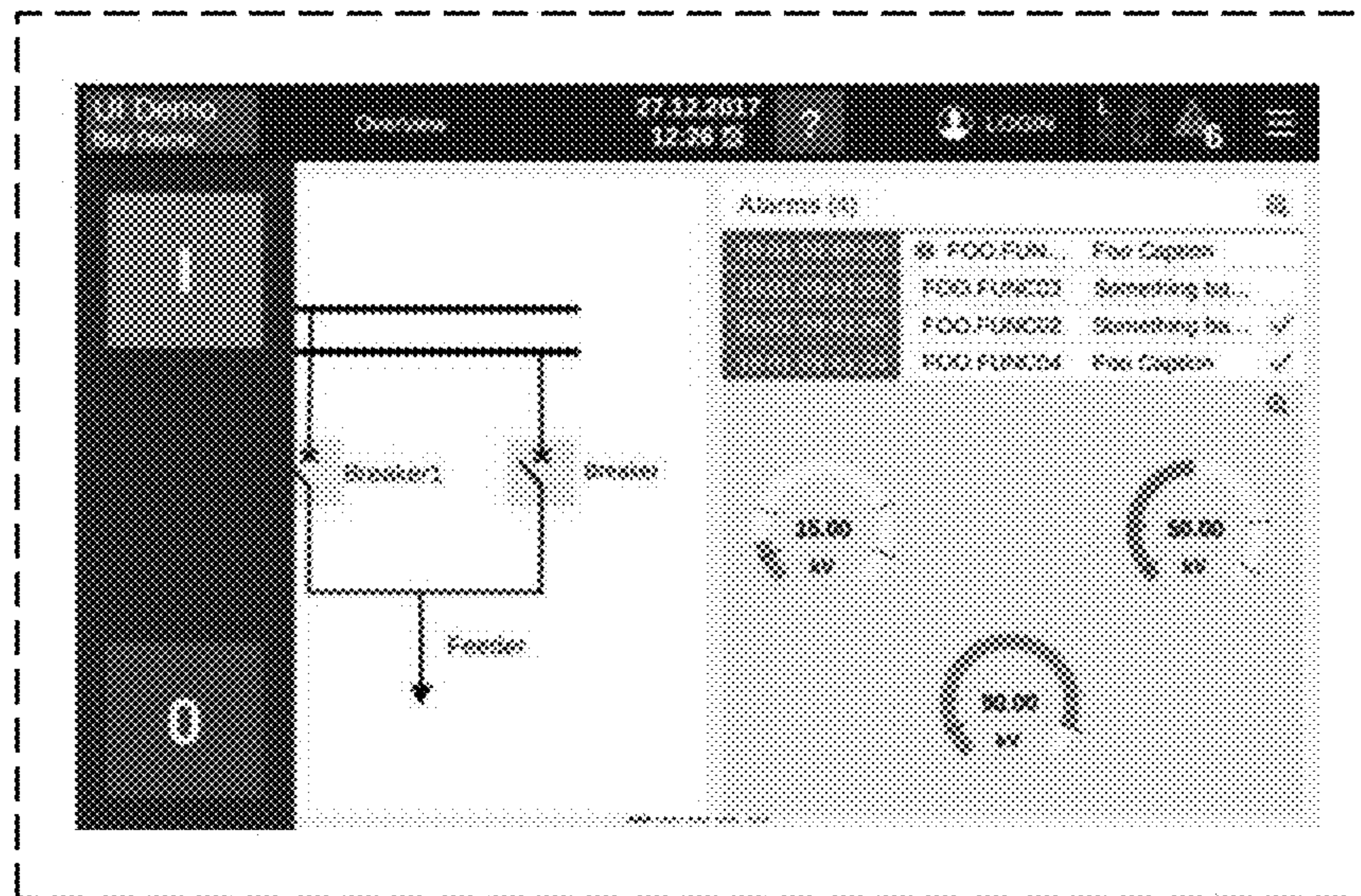


Figure 8

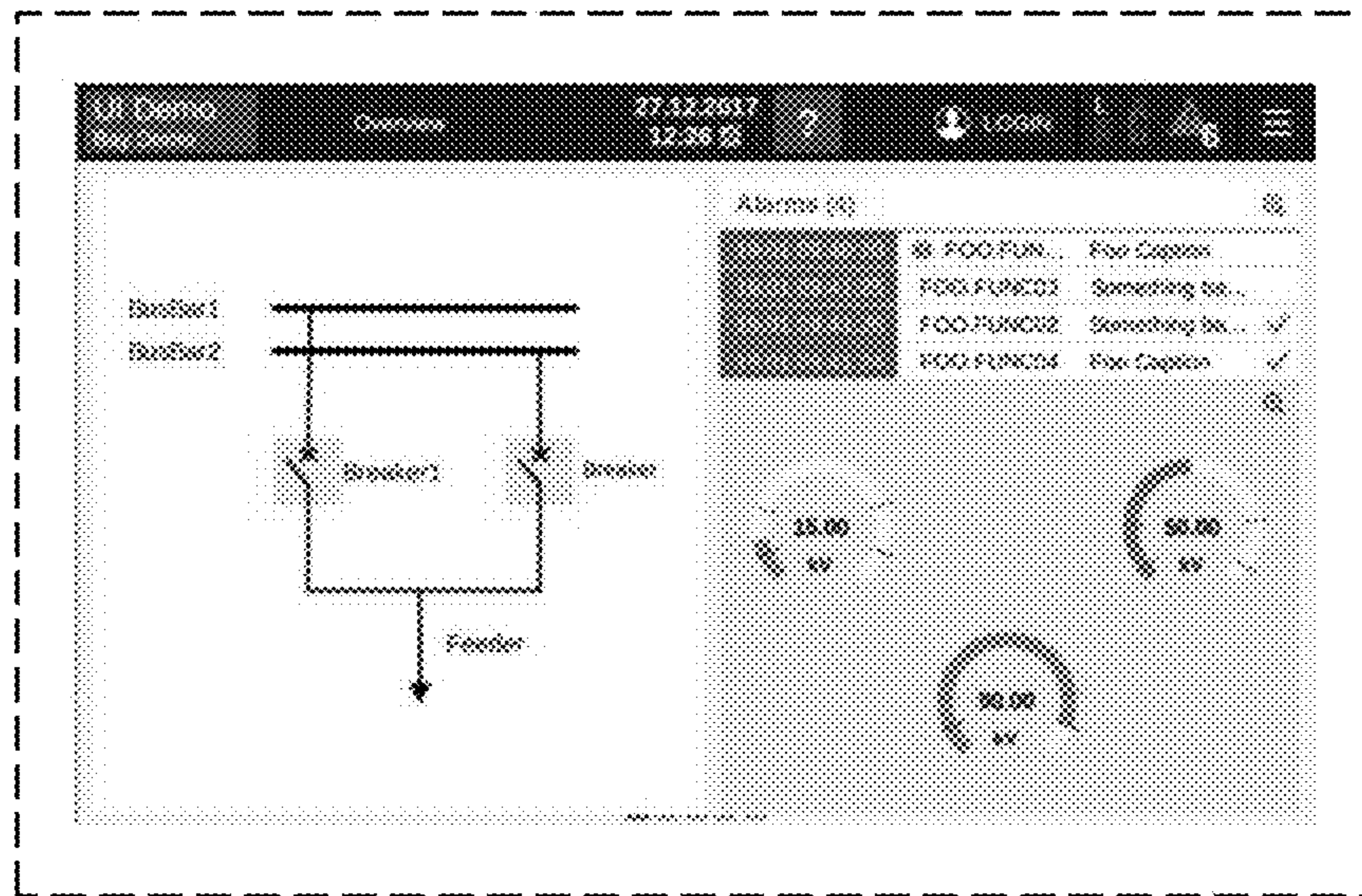


Figure 9



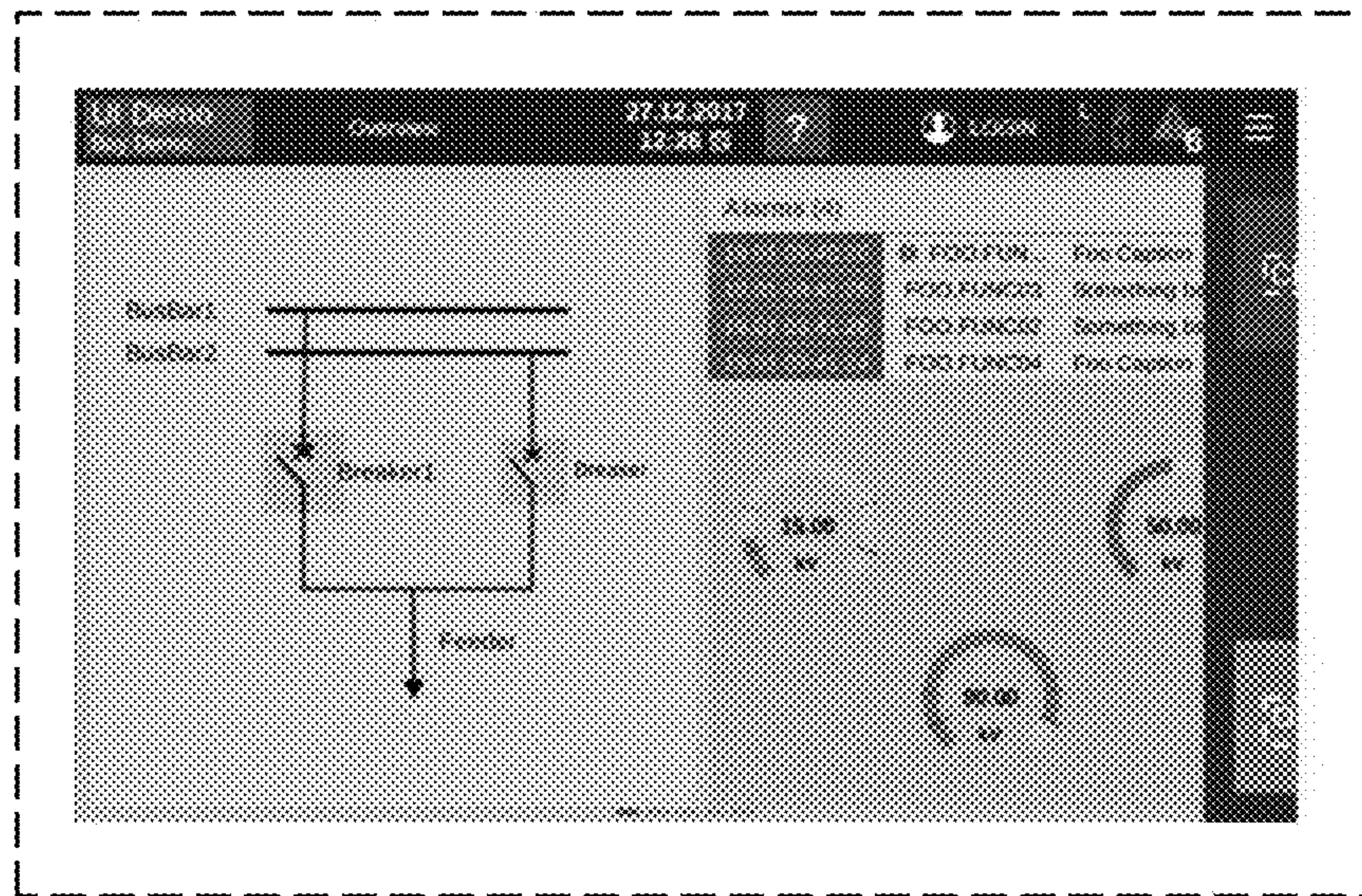


Figure 10

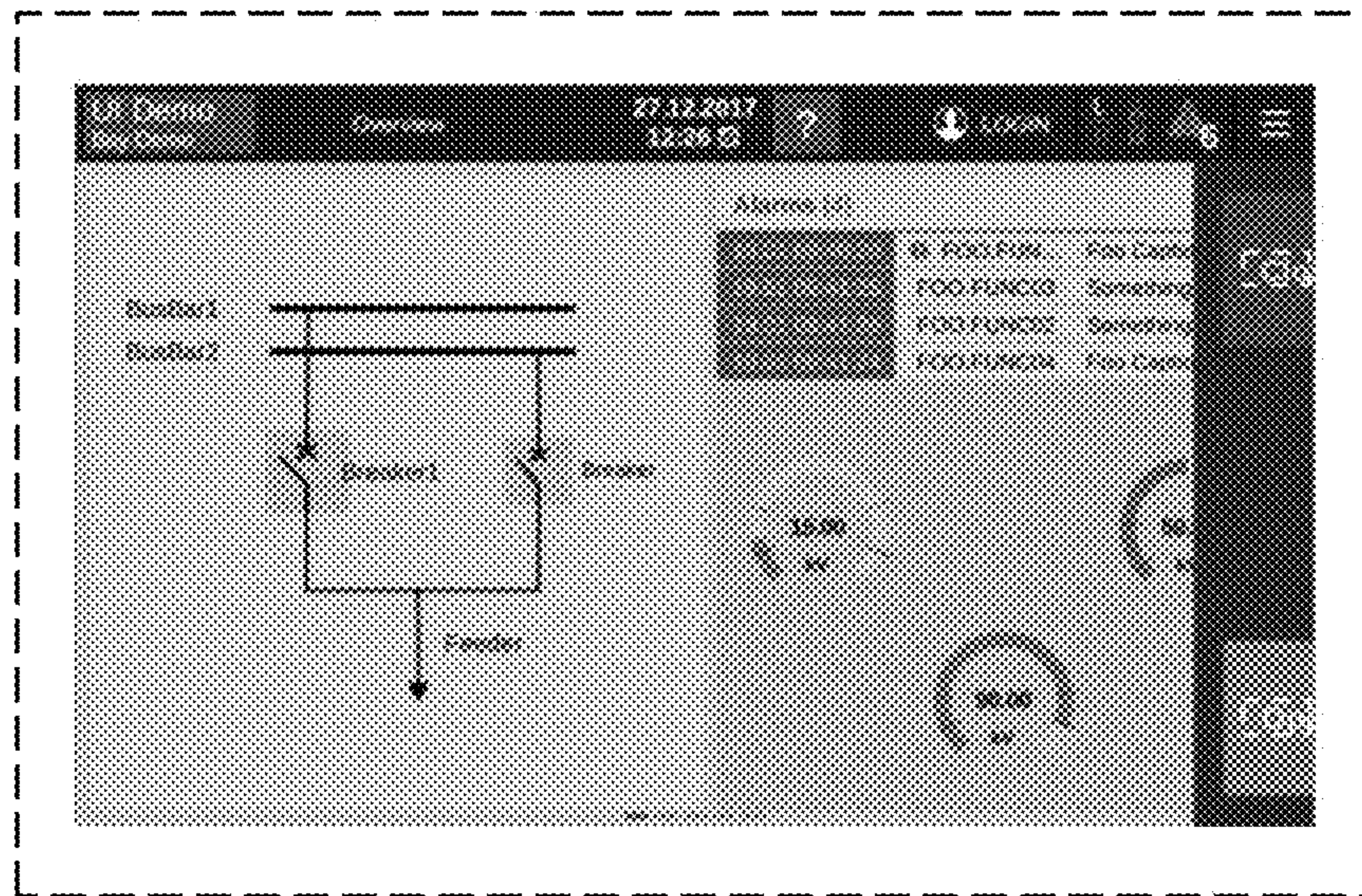


Figure 11



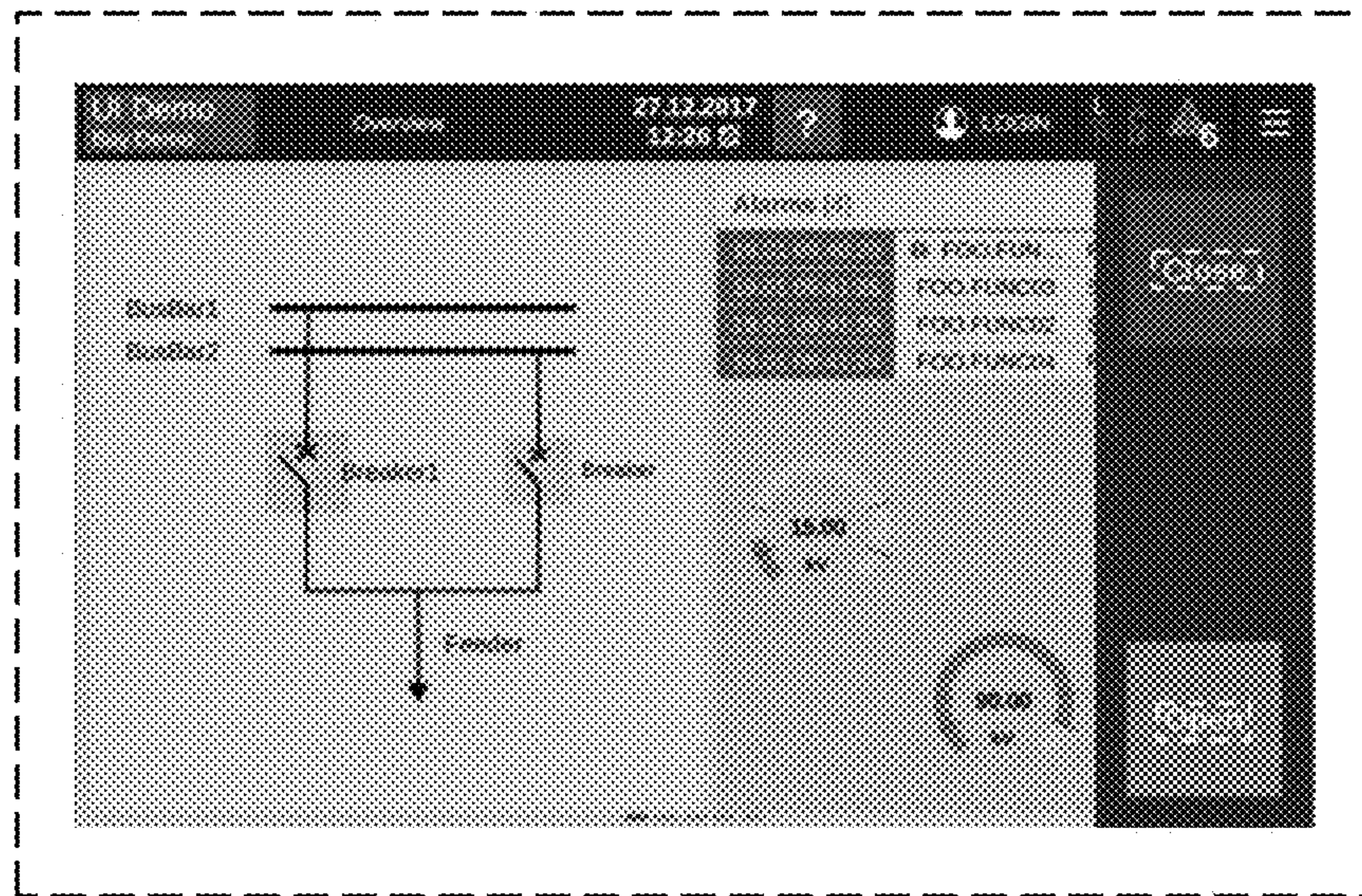


Figure 12

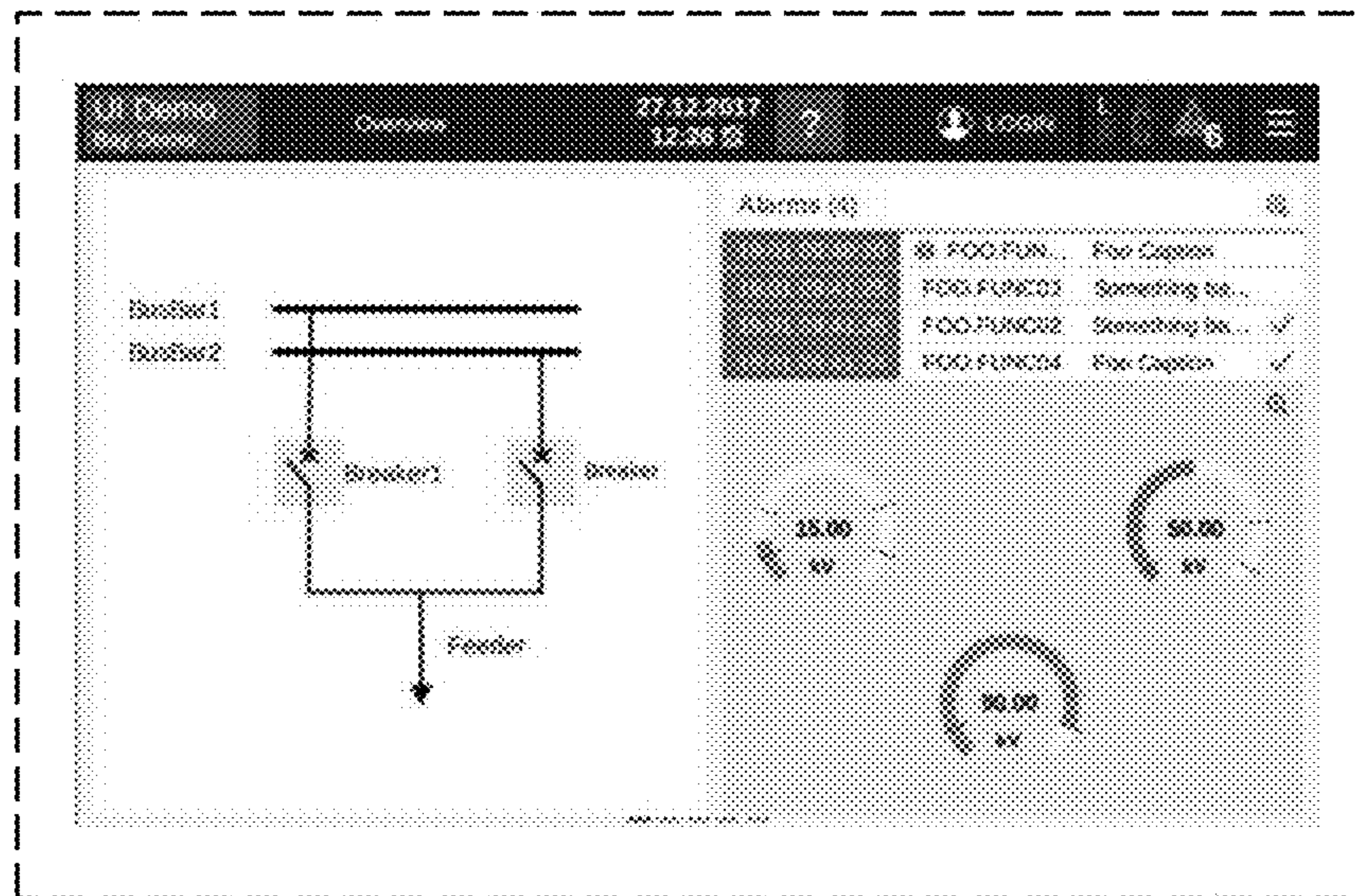


Figure 13



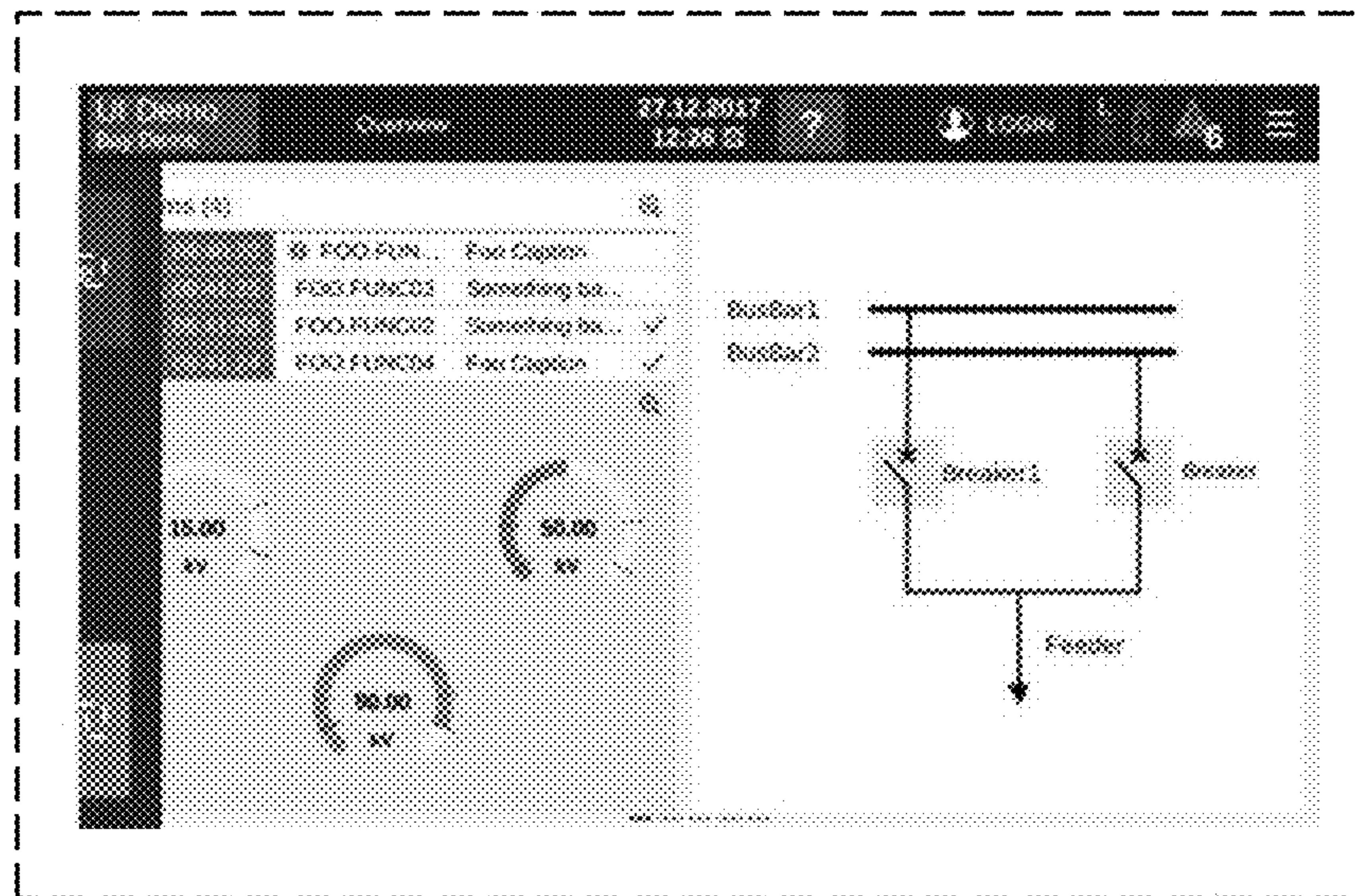


Figure 14

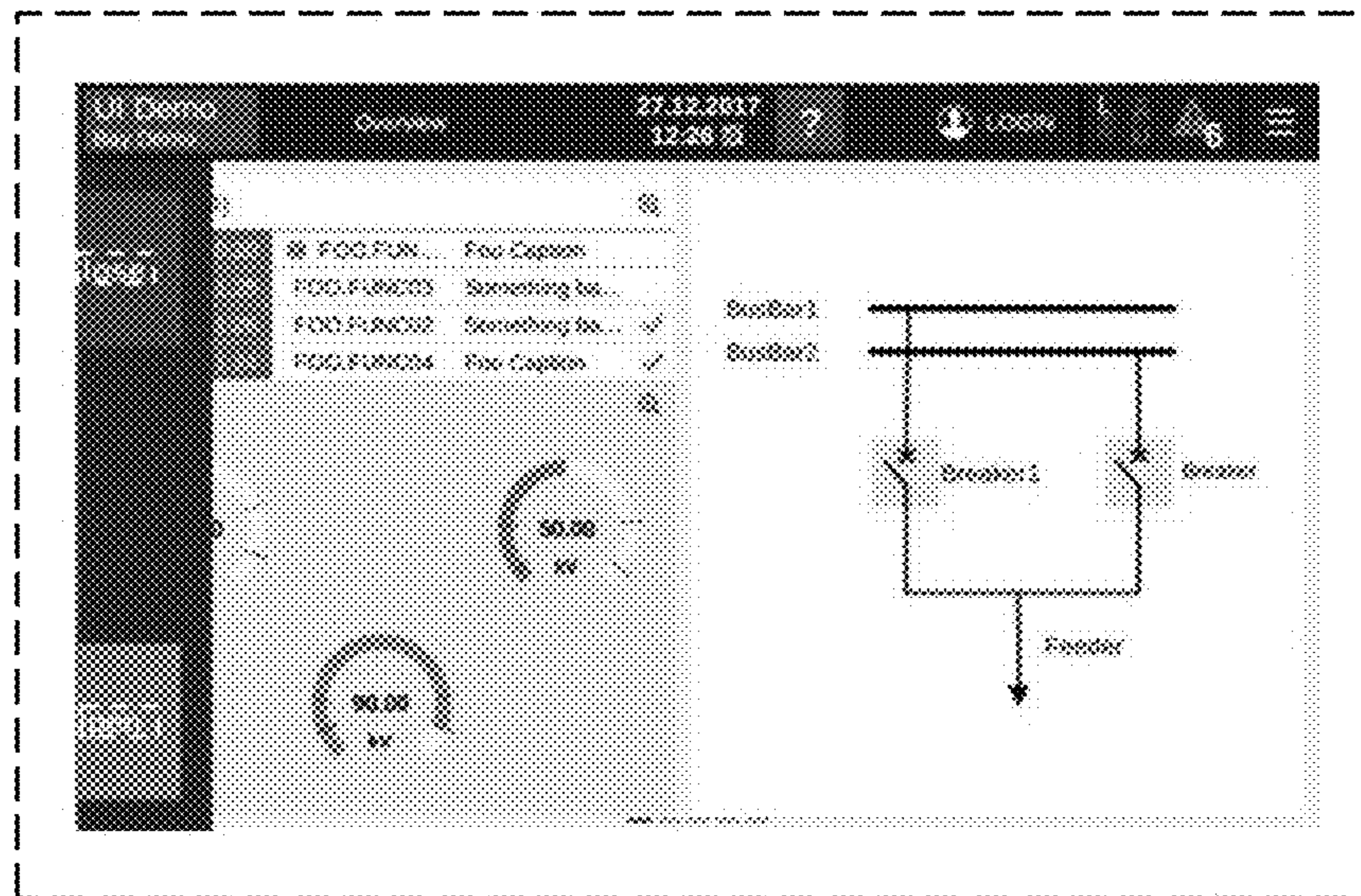


Figure 15



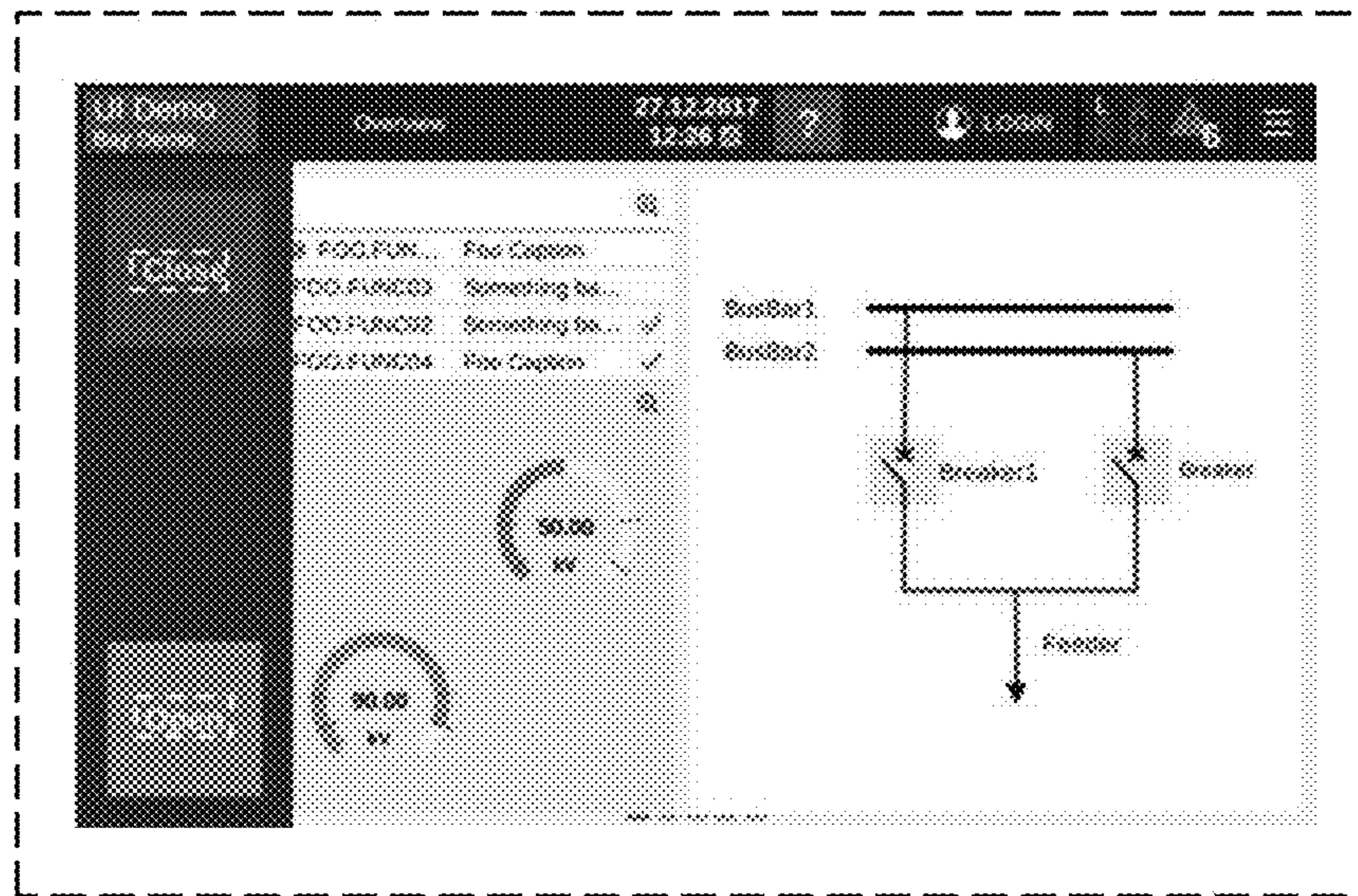


Figure 16

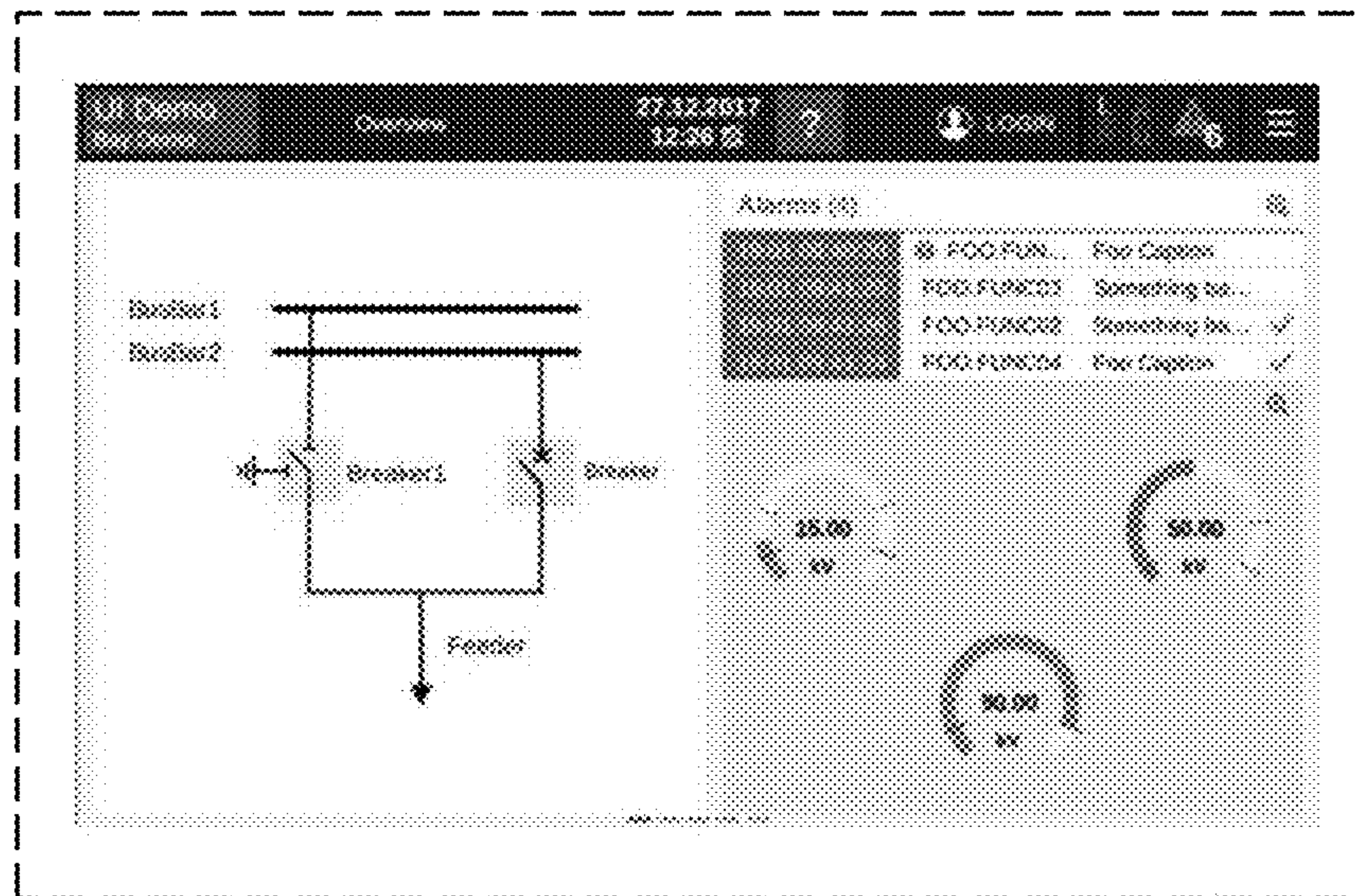


Figure 17

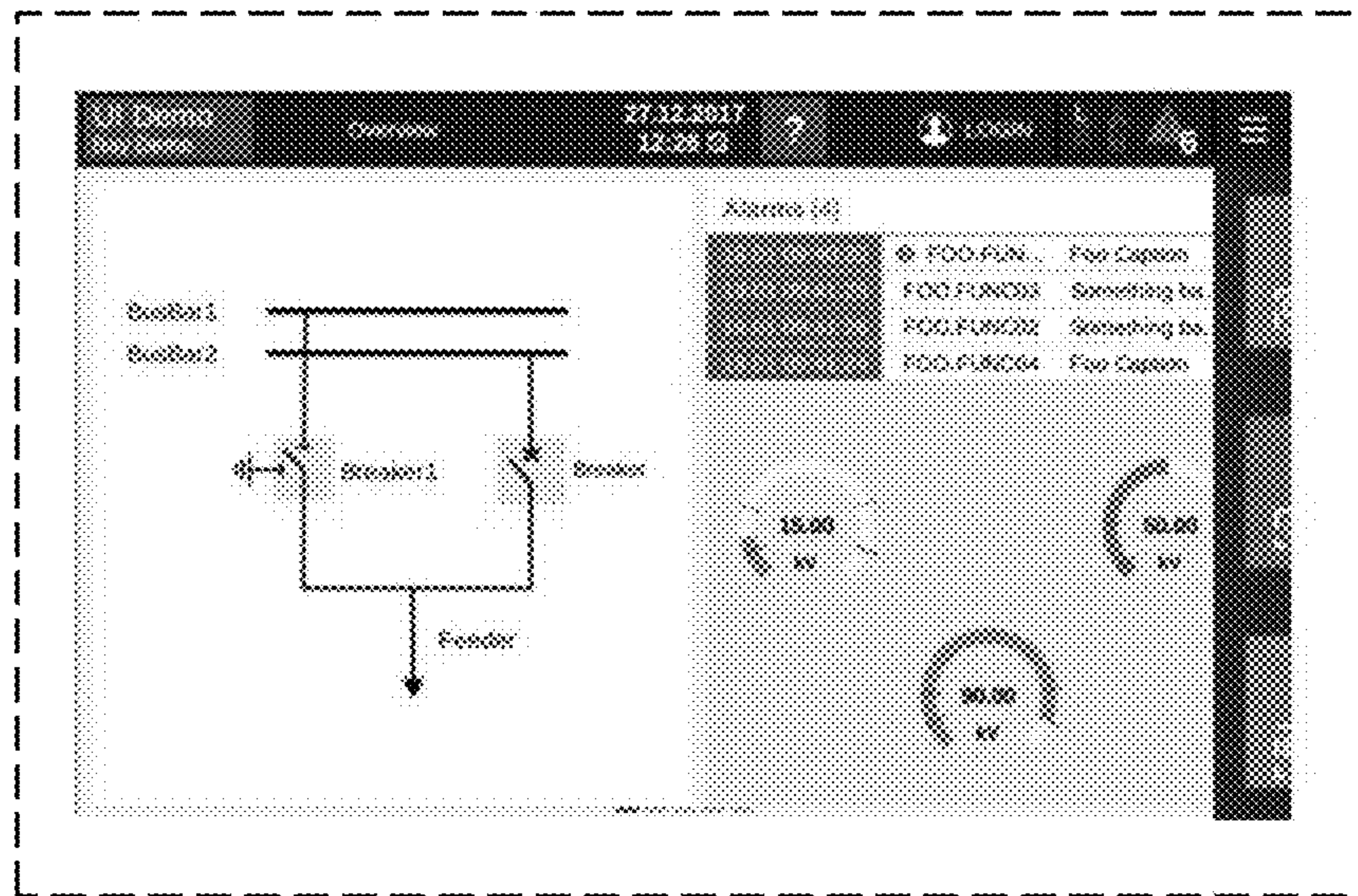


Figure 18



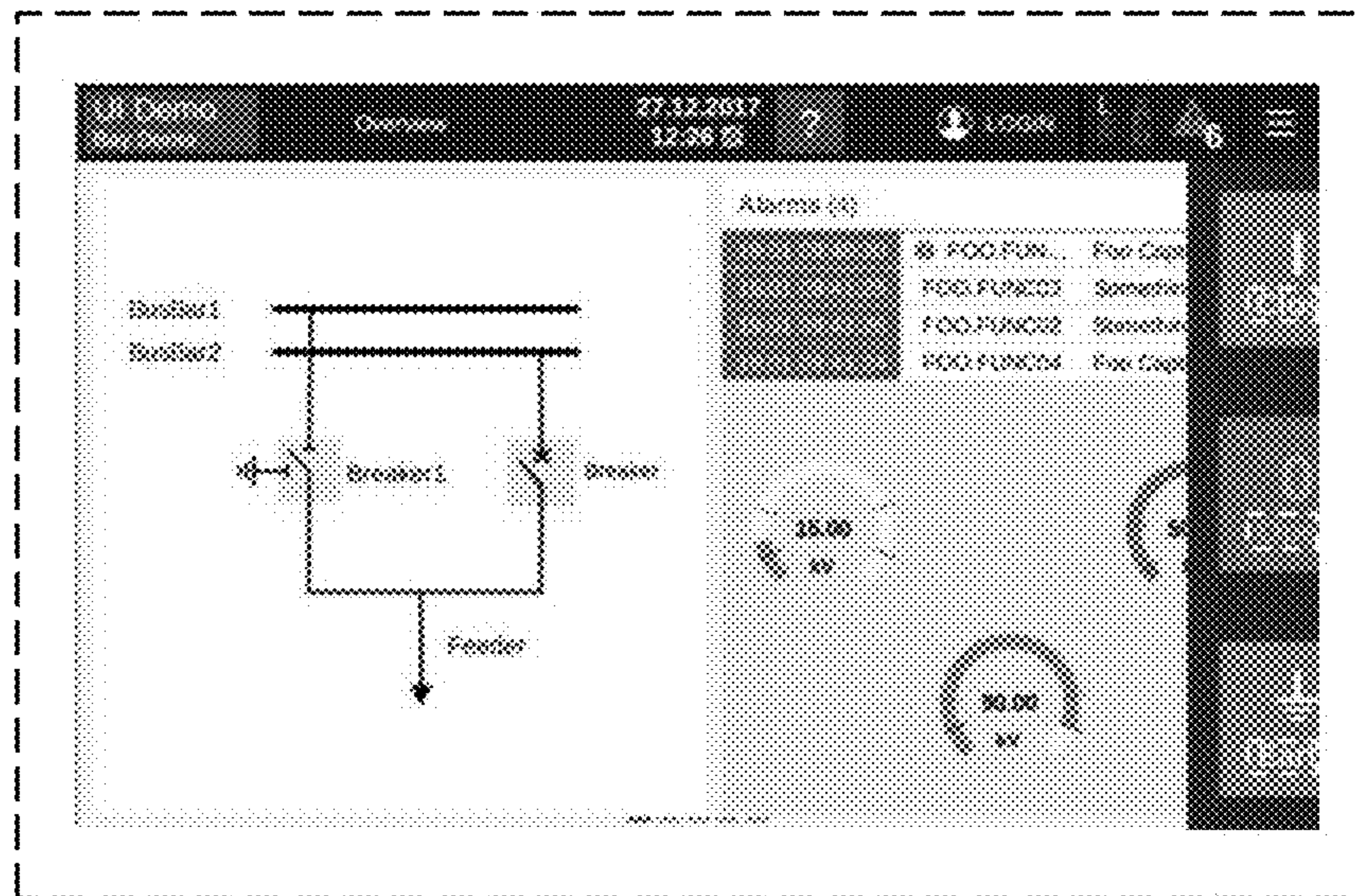


Figure 19

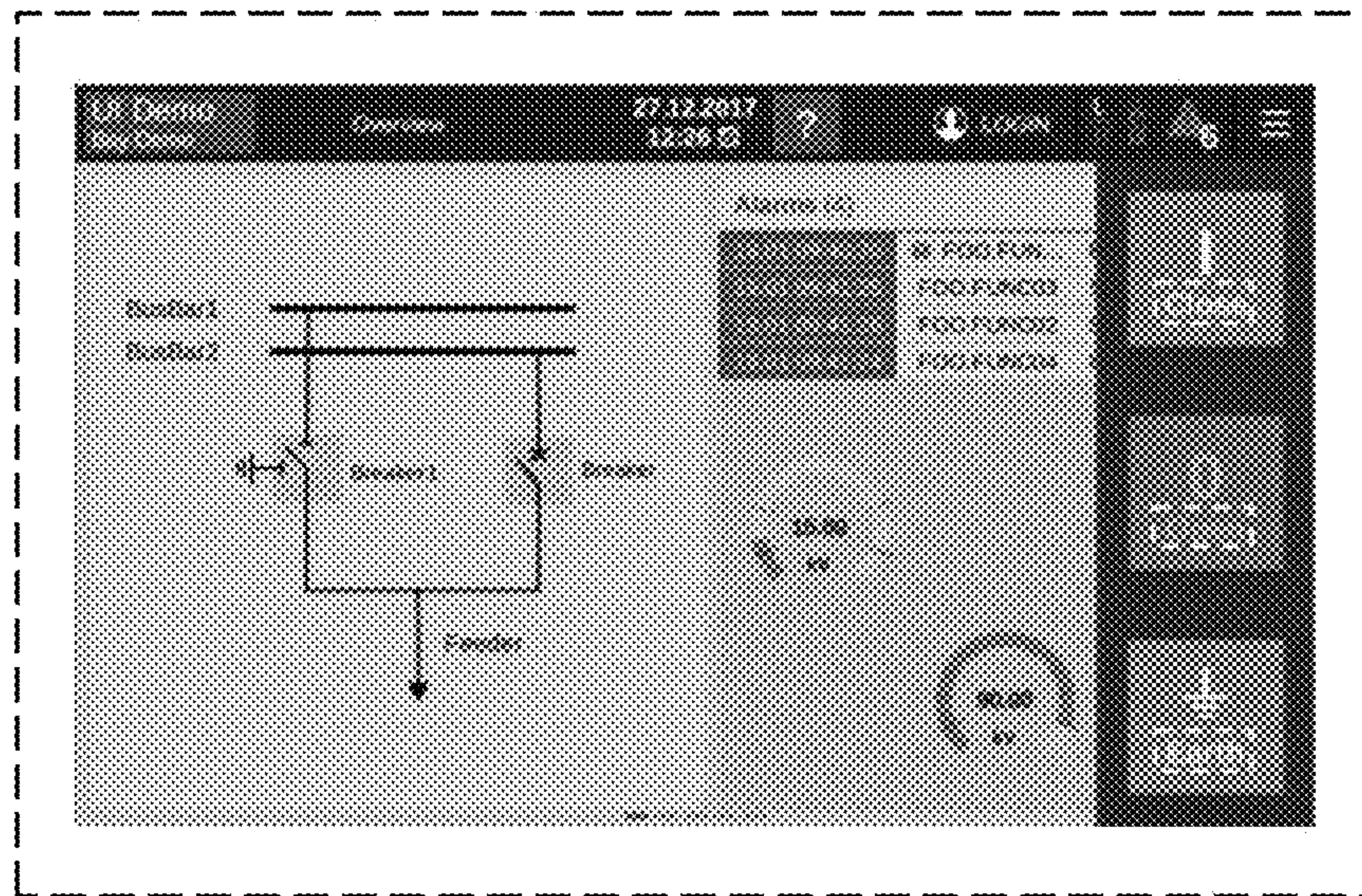


Figure 20

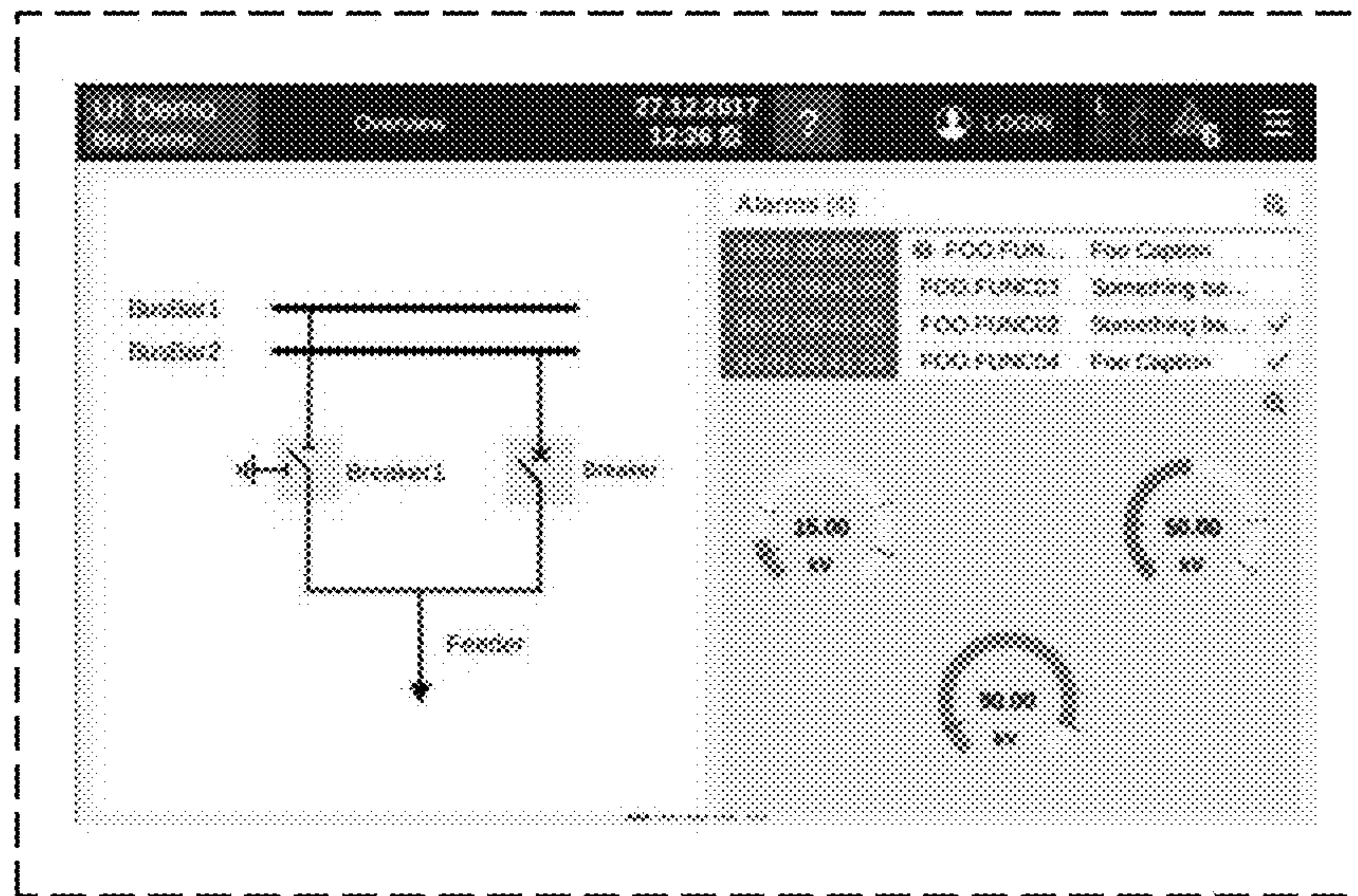


Figure 21



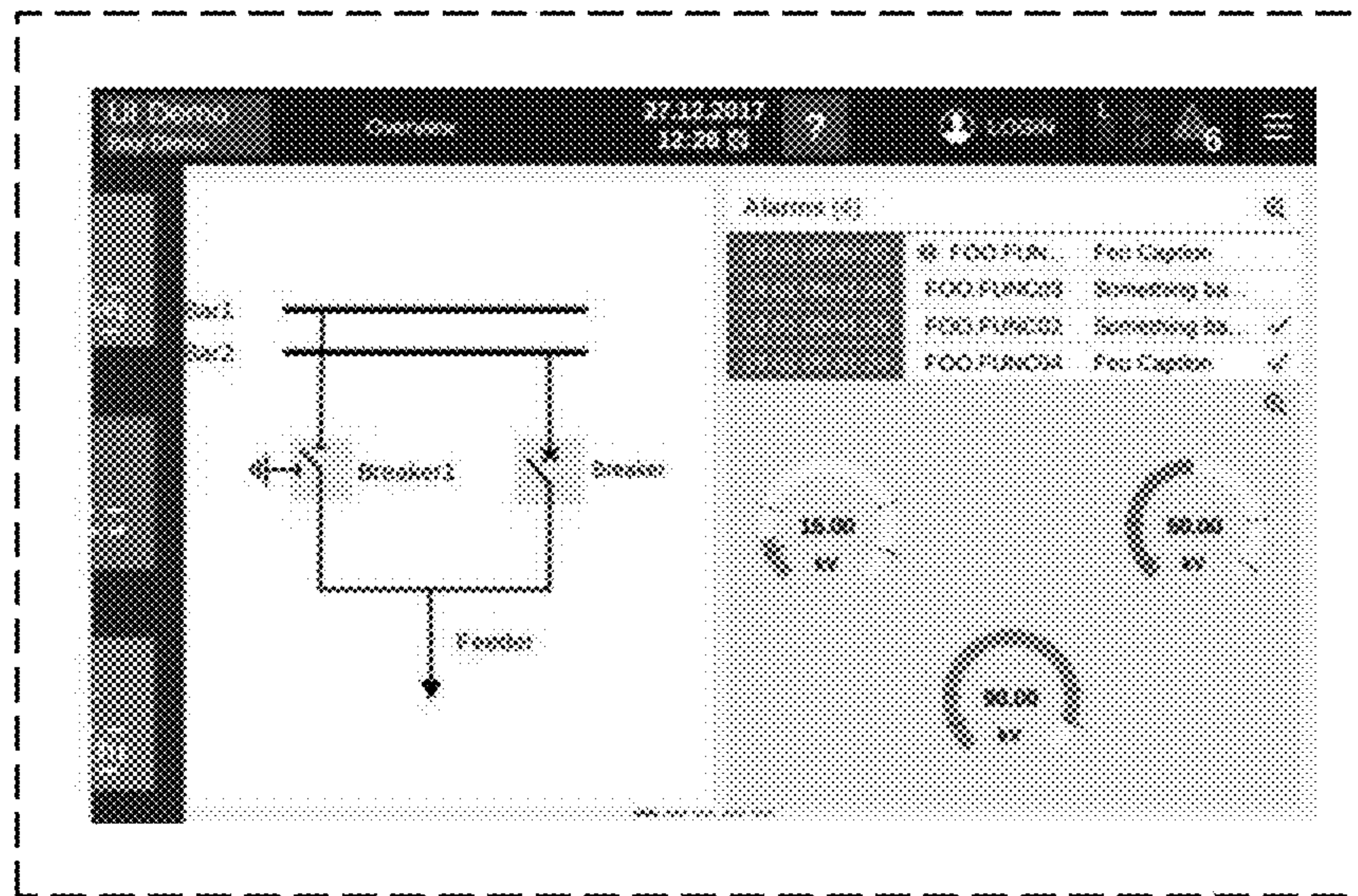


Figure 22

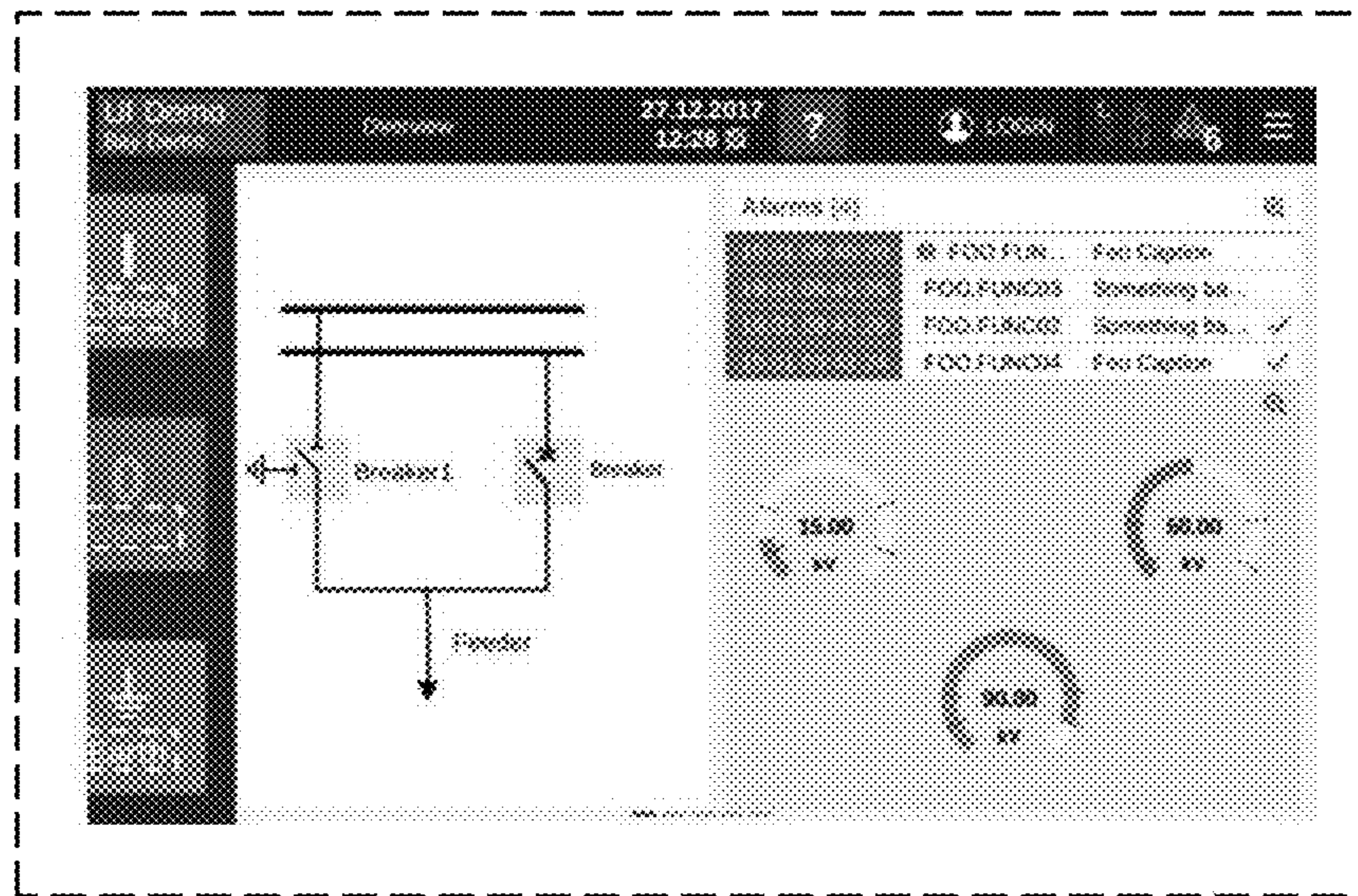


Figure 23

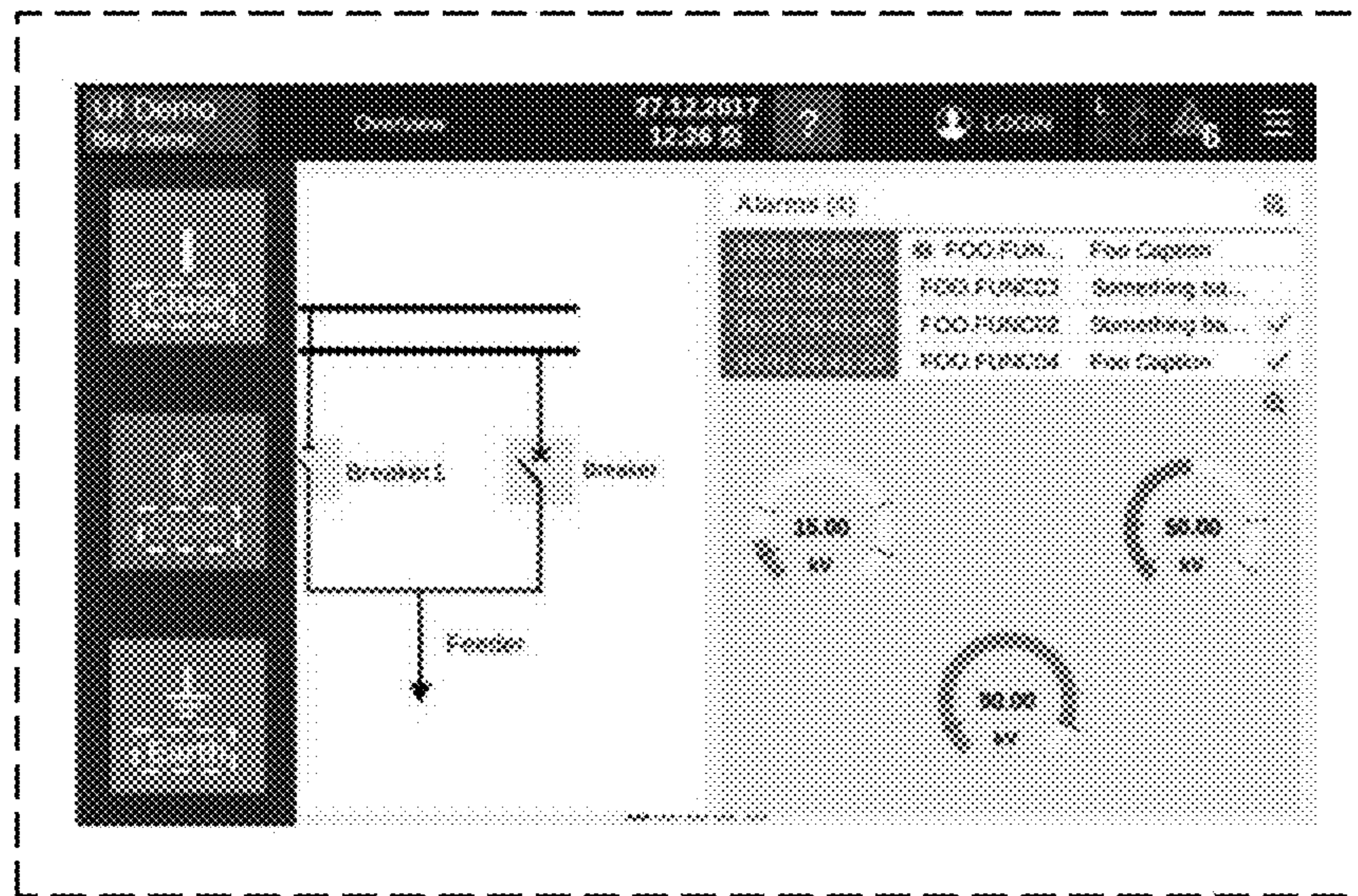


Figure 24