

US00D960171S

(12) **United States Design Patent**
Joseph

(10) **Patent No.:** **US D960,171 S**

(45) **Date of Patent:** **** Aug. 9, 2022**

(54) **DISPLAY SCREEN WITH A GRAPHICAL USER INTERFACE**

(71) Applicant: **TATA CONSULTANCY SERVICES LIMITED**, Mumbai (IN)

(72) Inventor: **Lijo Joseph**, Kochi (IN)

(73) Assignee: **TATA CONSULTANCY SERVICES LIMITED**

(**) Term: **15 Years**

(21) Appl. No.: **29/694,001**

(22) Filed: **Jun. 6, 2019**

(51) **LOC (13) Cl.** **14-04**

(52) **U.S. Cl.**
USPC **D14/485**

(58) **Field of Classification Search**
USPC D14/485-495
CPC G06F 3/048-04897; G06F 3/013; G06F 3/017; G06F 3/165; G06F 3/197; G06F 2203/04807; G06F 17/212; G06T 13/80; G06T 15/02; G06Q 10/10; H04M 1/6075; H04M 3/567; H04M 1/2477; H04M 1/26; H04M 1/274582; H04L 12/581; H04L 12/813; H04L 12/1813; H04N 7/16
See application file for complete search history.

(56) **References Cited**

U.S. PATENT DOCUMENTS

10,444,886	B2 *	10/2019	Namgoong	G06F 1/1626
D879,123	S *	3/2020	Rydgren	D14/486
D882,612	S *	4/2020	Antillon	D14/486
D894,206	S *	8/2020	Naruns	D14/486
D899,448	S *	10/2020	VanDuyn	D14/486
D914,726	S *	3/2021	Gouliard	D14/486
D916,121	S *	4/2021	Hagele	D14/488
D917,524	S *	4/2021	Lambert	D14/486
D917,554	S *	4/2021	Evans	D14/488

D918,245	S *	5/2021	Getman	D14/486
D918,938	S *	5/2021	Patel	D14/485
D924,924	S *	7/2021	Leong	D14/488
D924,925	S *	7/2021	Leong	D14/488
D925,587	S *	7/2021	Morris	D14/488
D925,593	S *	7/2021	Leong	D14/488
D925,594	S *	7/2021	Jeong	D14/488

(Continued)

Primary Examiner — John M Otte

(74) *Attorney, Agent, or Firm* — Hayes Soloway P.C.

(57) **CLAIM**

I claim the ornamental design for a display screen with a graphical user interface, as shown and described.

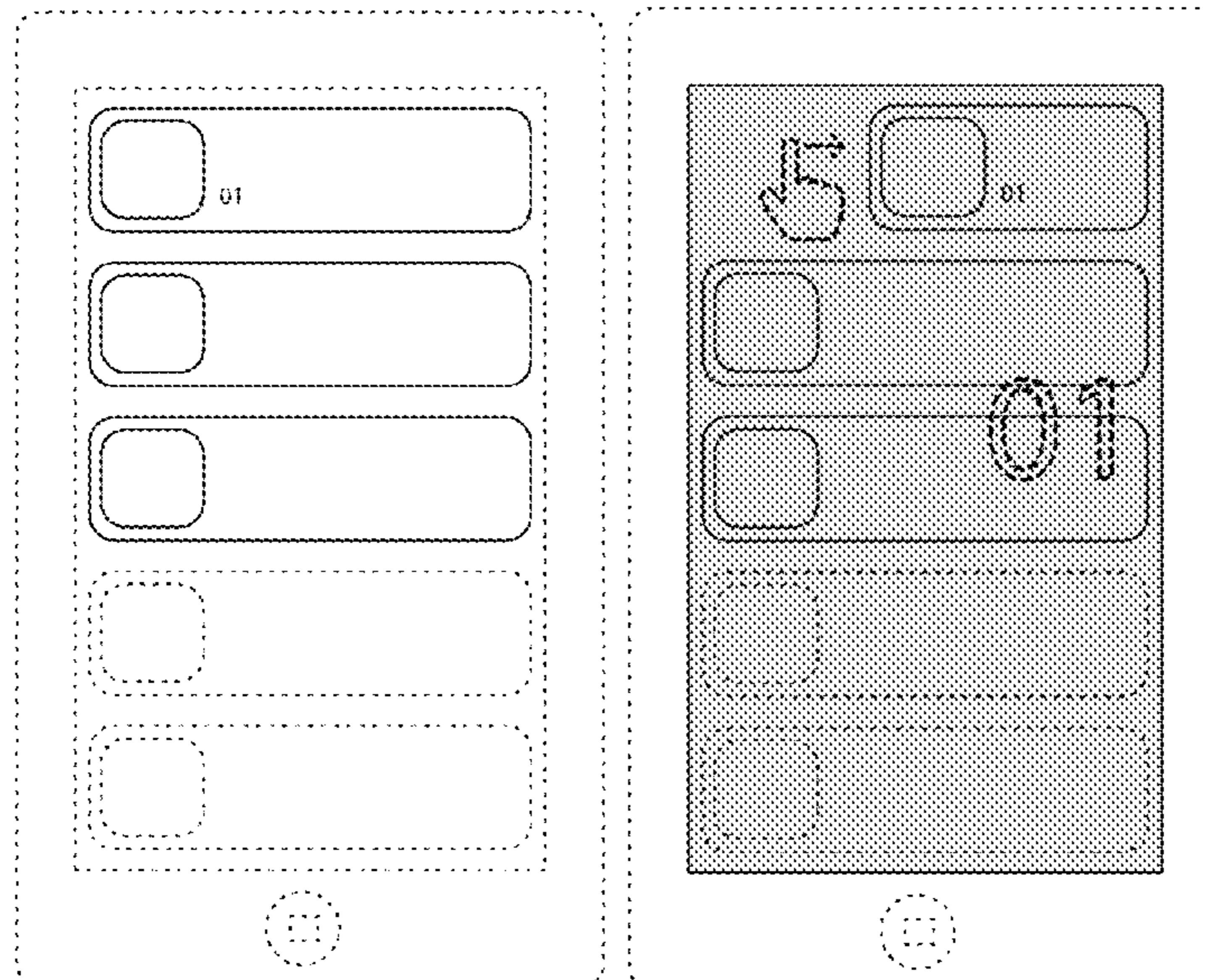
DESCRIPTION

FIG. 1 is a front view of a first image in a sequence for a display screen with a graphical user interface; FIG. 2 is a front view of a second image thereof; FIG. 3 is a front view of a third image thereof; FIG. 4 is a front view of a fourth image thereof; FIG. 5 is a front view of a fifth image thereof; FIG. 6 is a front view of a sixth image thereof; FIG. 7 is a front view of a seventh image thereof; FIG. 8 is a front view of an eighth image thereof; FIG. 9 is a front view of a ninth image thereof; FIG. 10 is a front view of a tenth image thereof; and, FIG. 11 is a front view of an eleventh image thereof.

The figures are a front view of a display screen with a graphical user interface. The broken lines illustrate the display screen or portion thereof and form no part of the claimed design. The broken lines illustrate portions of the graphical user interface and form no part of the claimed design.

The appearance of the image transitions sequentially between the images shown in FIGS. 1-11. The process or period in which an image transitions to another forms no part of the claimed design.

1 Claim, 11 Drawing Sheets



(56)

References Cited

U.S. PATENT DOCUMENTS

D926,808 S * 8/2021 Maule H04N 7/183
D14/488
D928,190 S * 8/2021 Hartman D14/486
D928,194 S * 8/2021 Baker D14/488
D928,196 S * 8/2021 Park D14/488
D928,198 S * 8/2021 Blasco Momparler D14/488
2008/0163119 A1* 7/2008 Kim G11B 19/025
715/840
2012/0299933 A1* 11/2012 Lau G06T 13/40
345/473
2015/0346976 A1* 12/2015 Karunamuni G06F 3/0482
715/765
2016/0139761 A1* 5/2016 Grosz G06F 3/0482
715/769

* cited by examiner

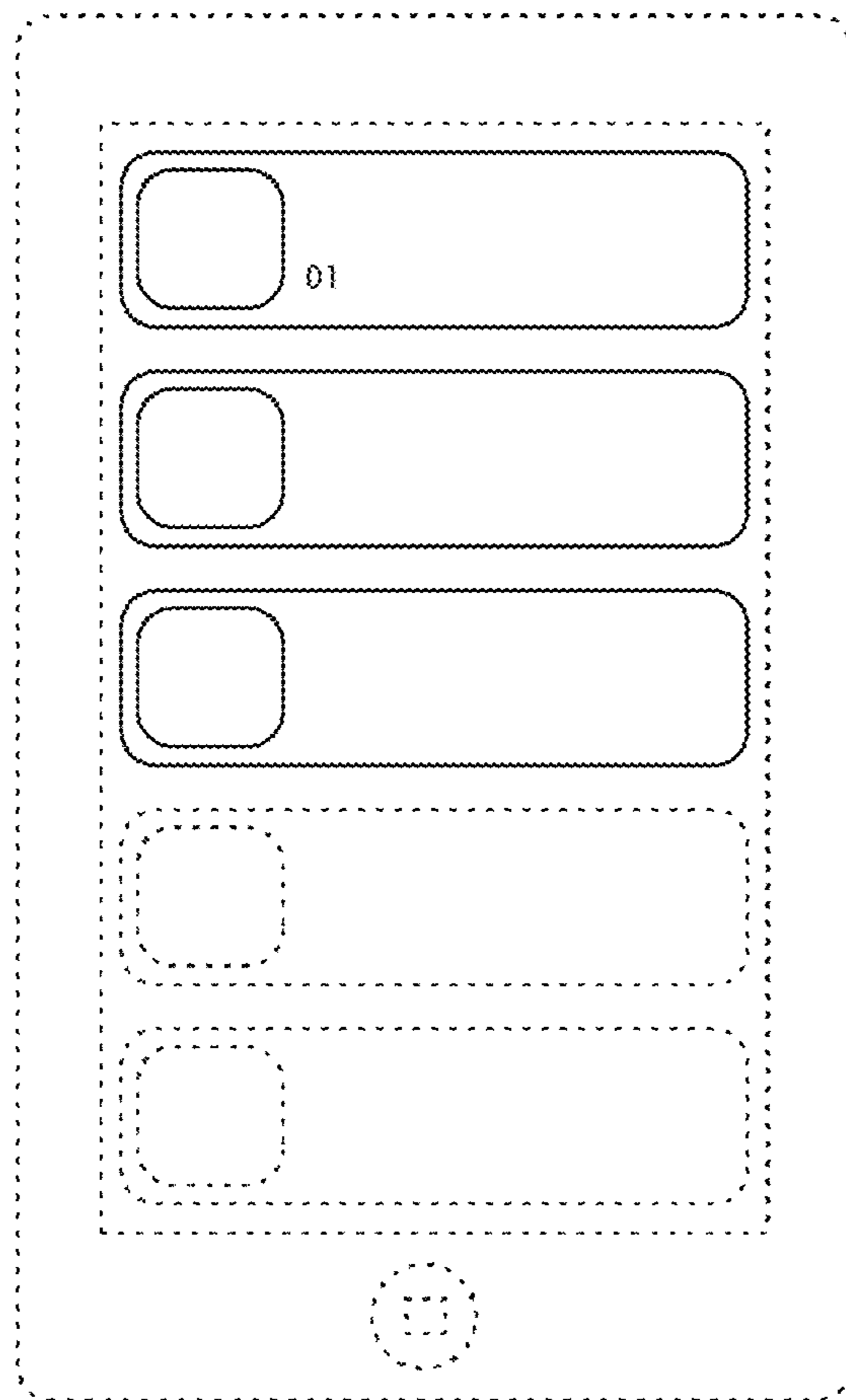


FIG. 1

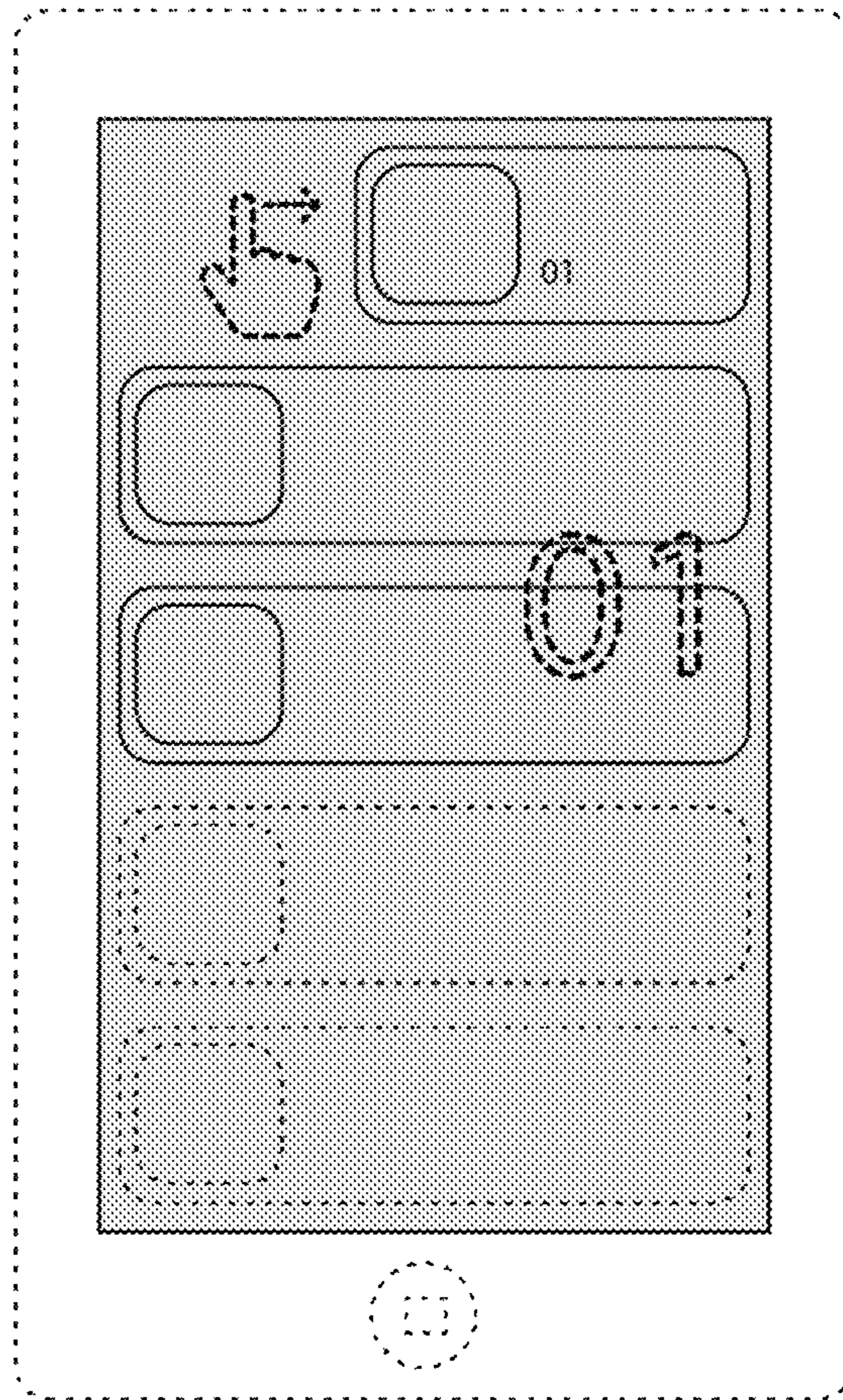


FIG. 2

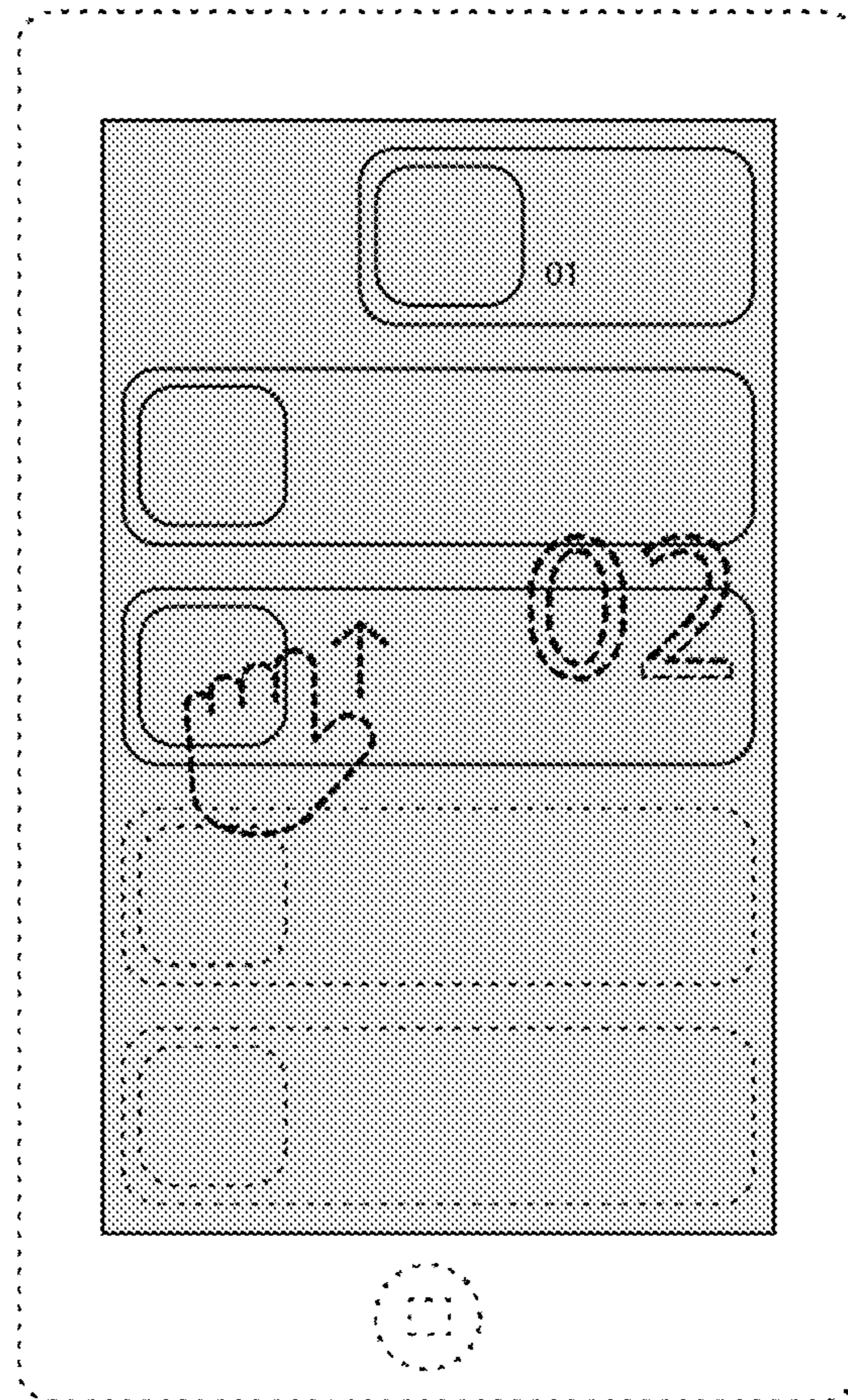


FIG. 3

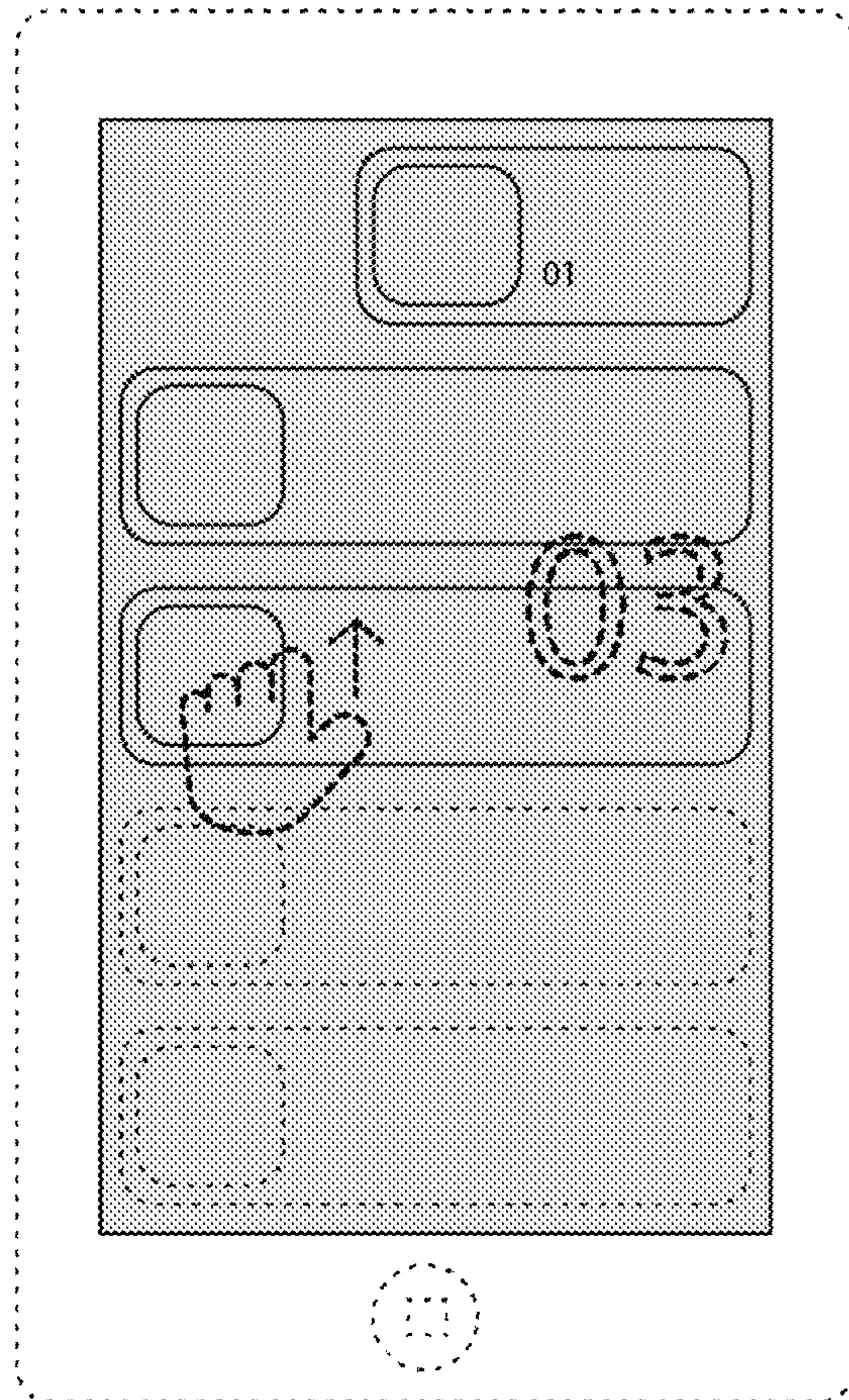


FIG. 4

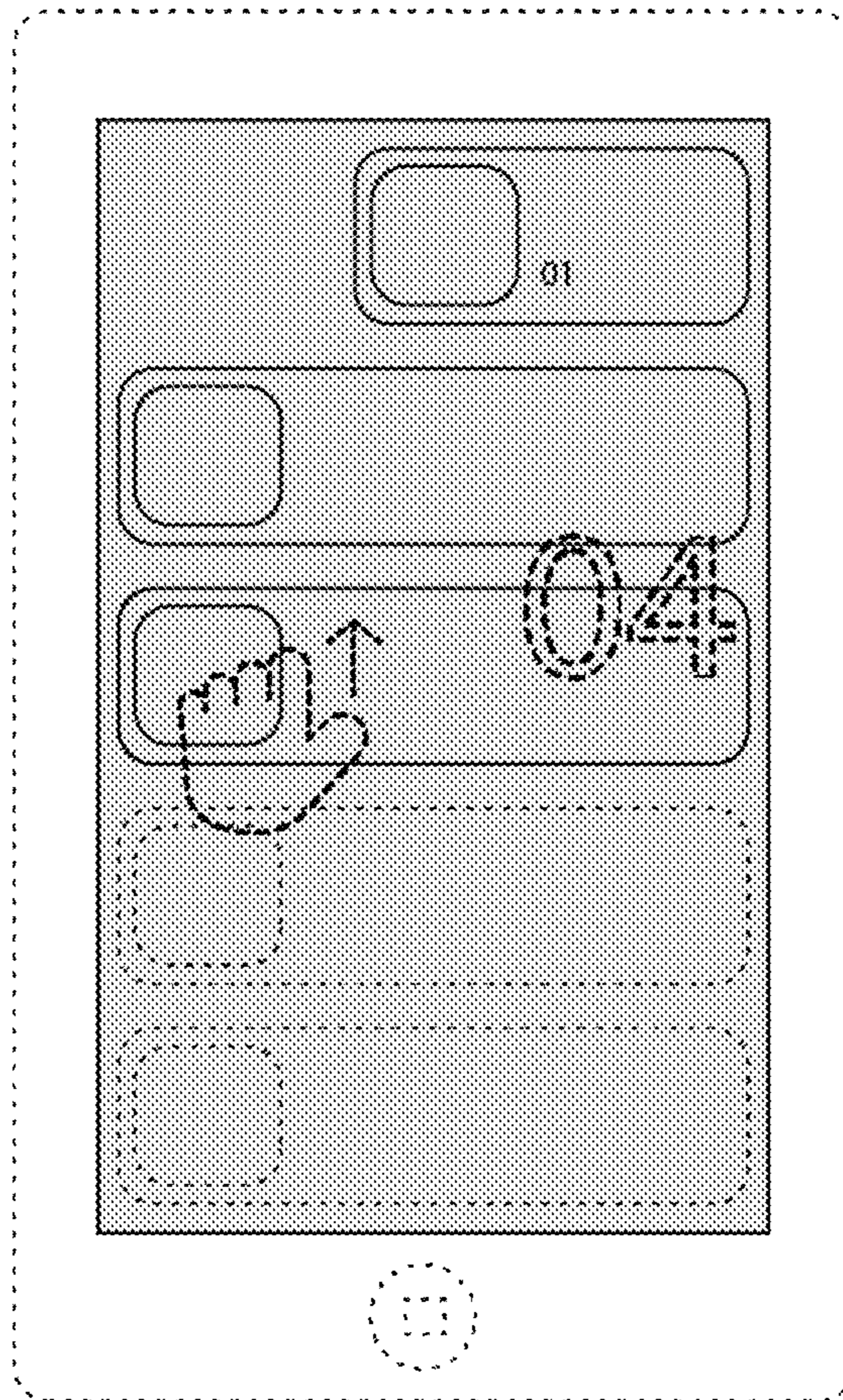


FIG. 5

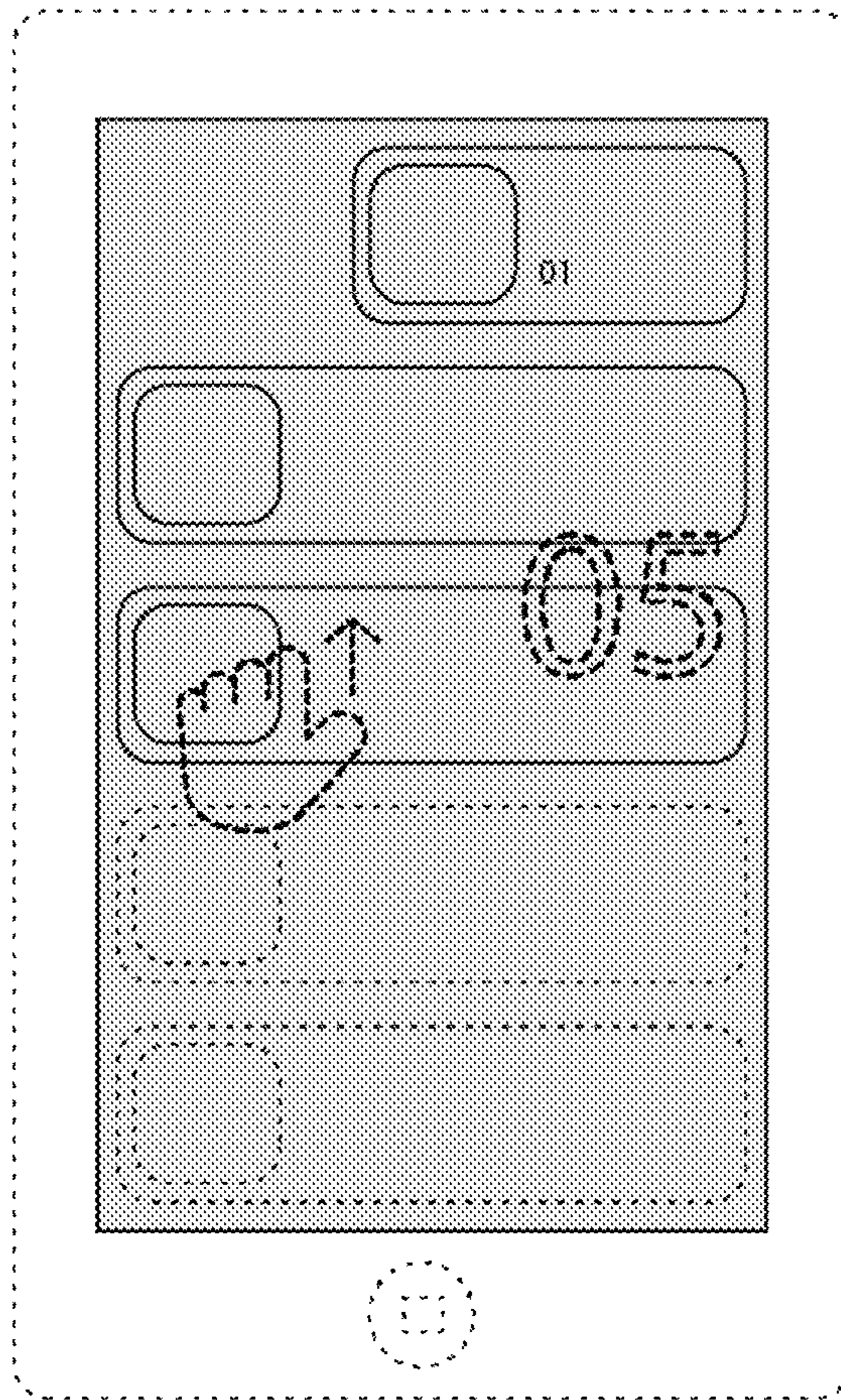


FIG. 6

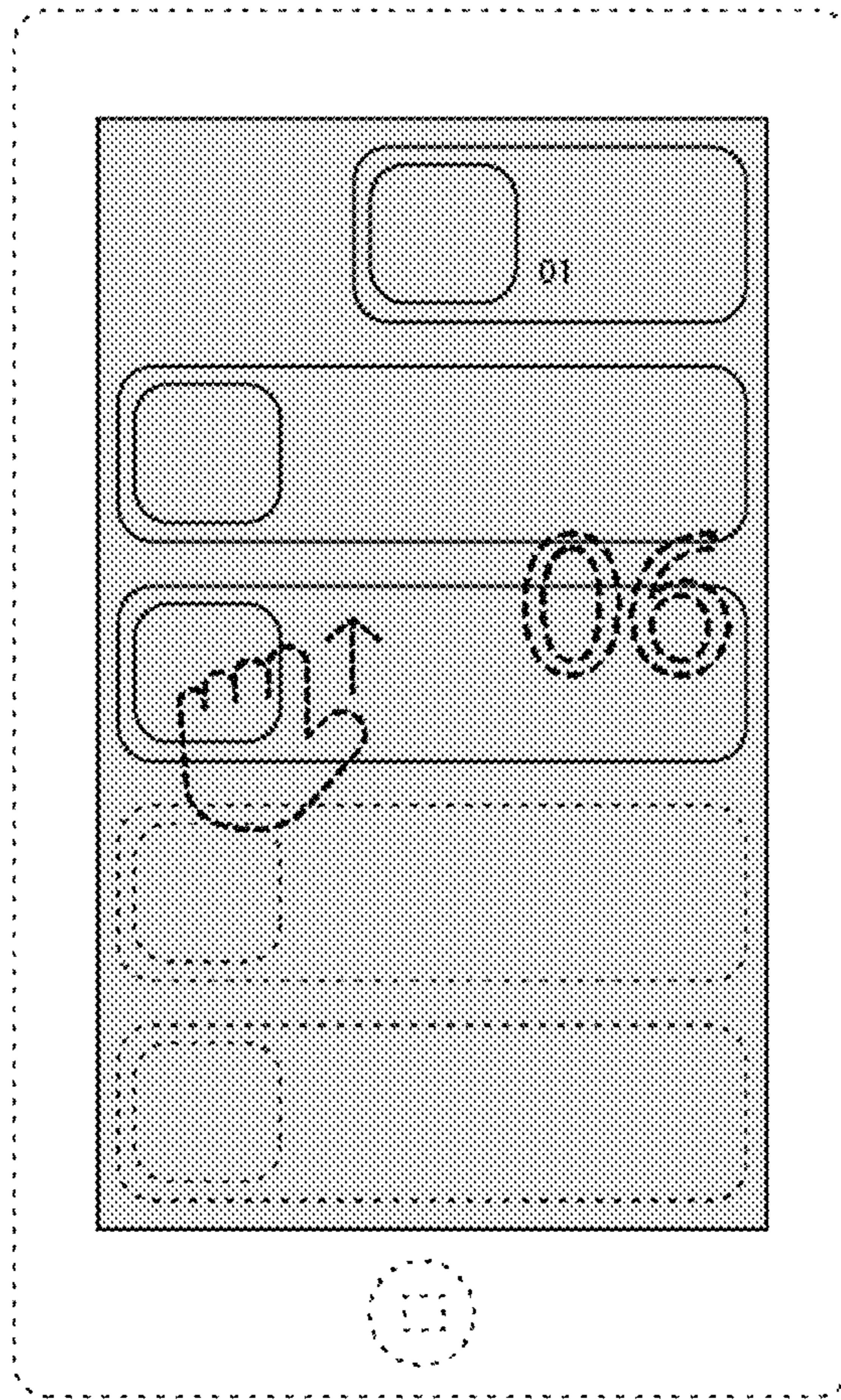


FIG. 7

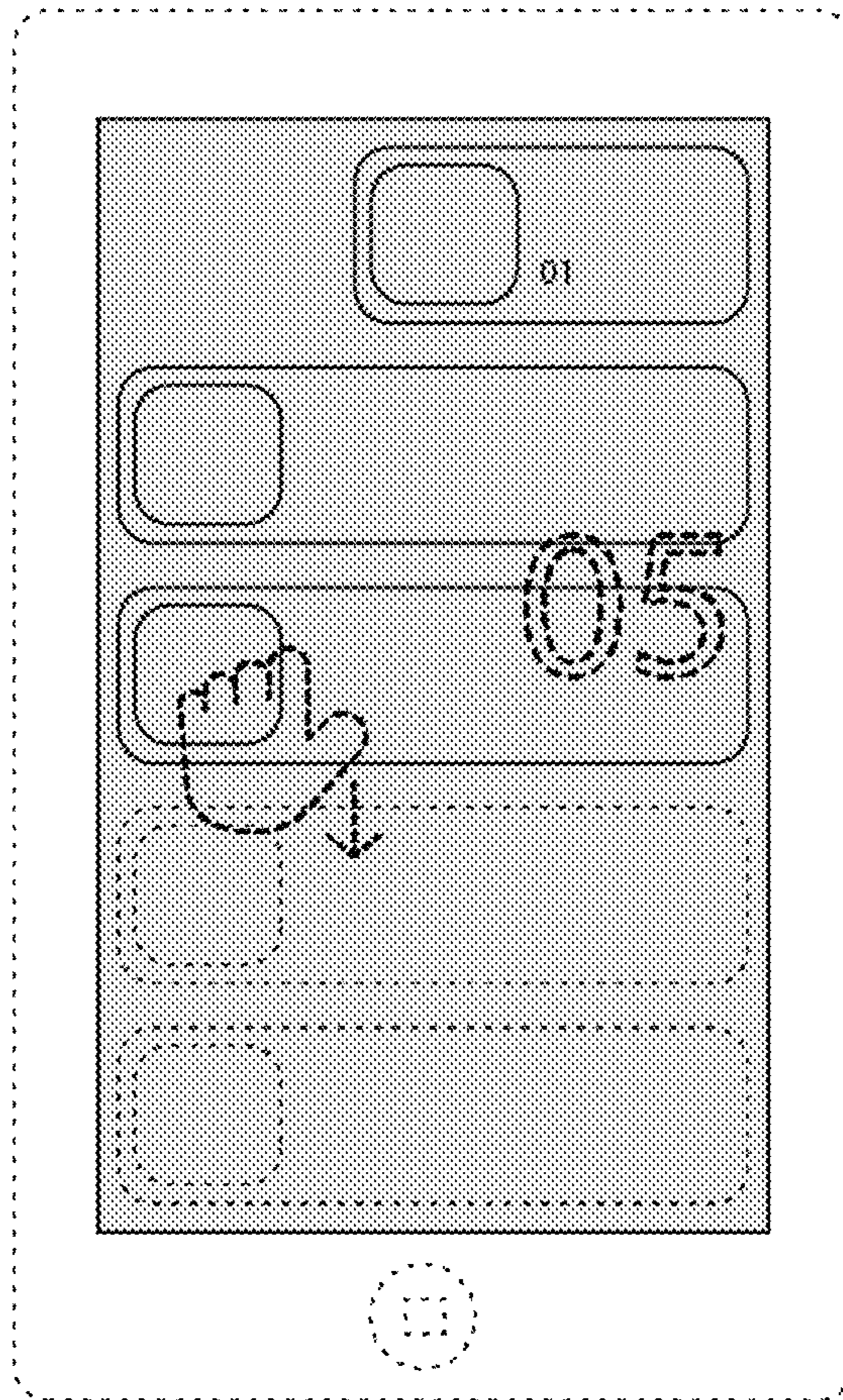


FIG. 8

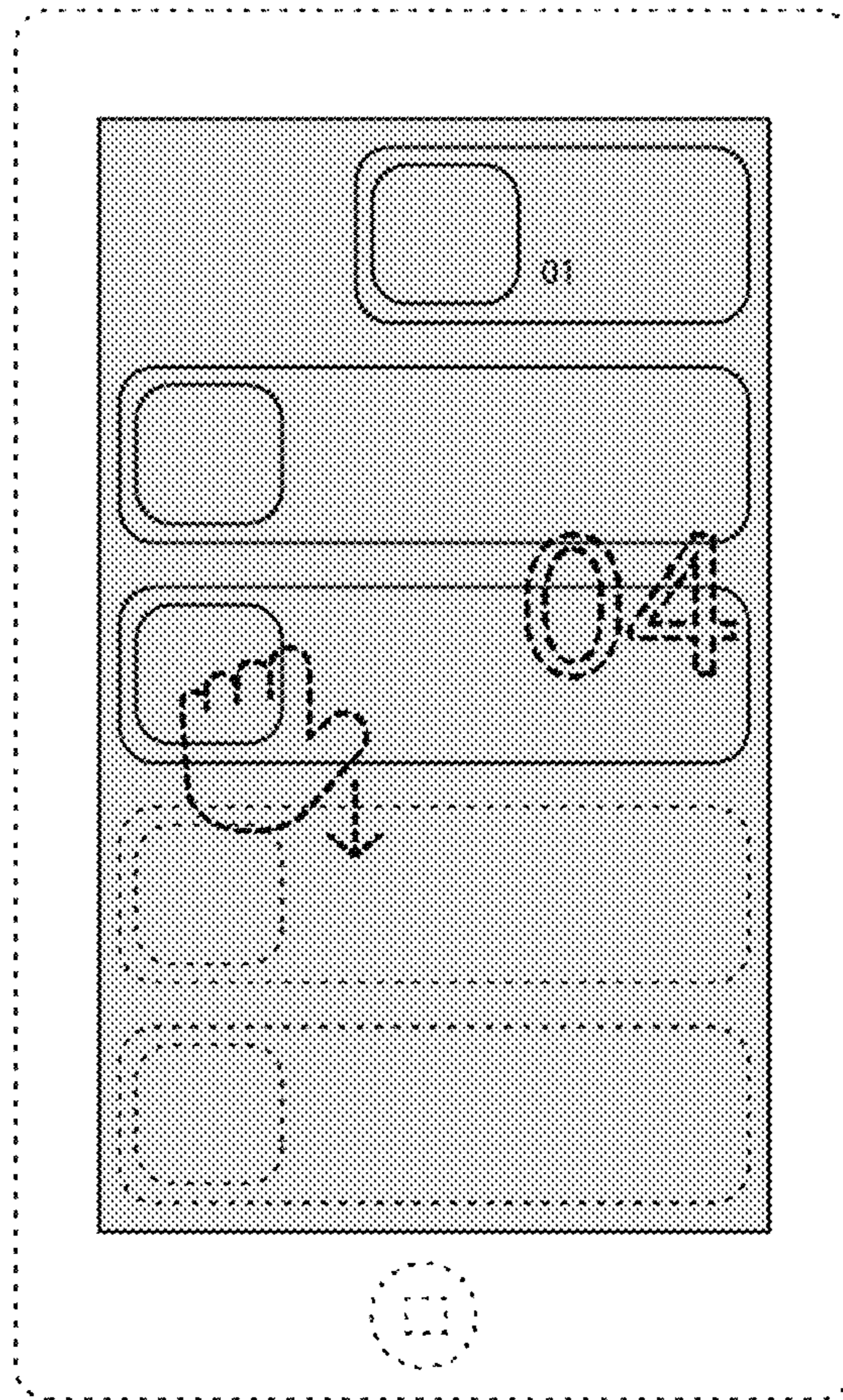


FIG. 9

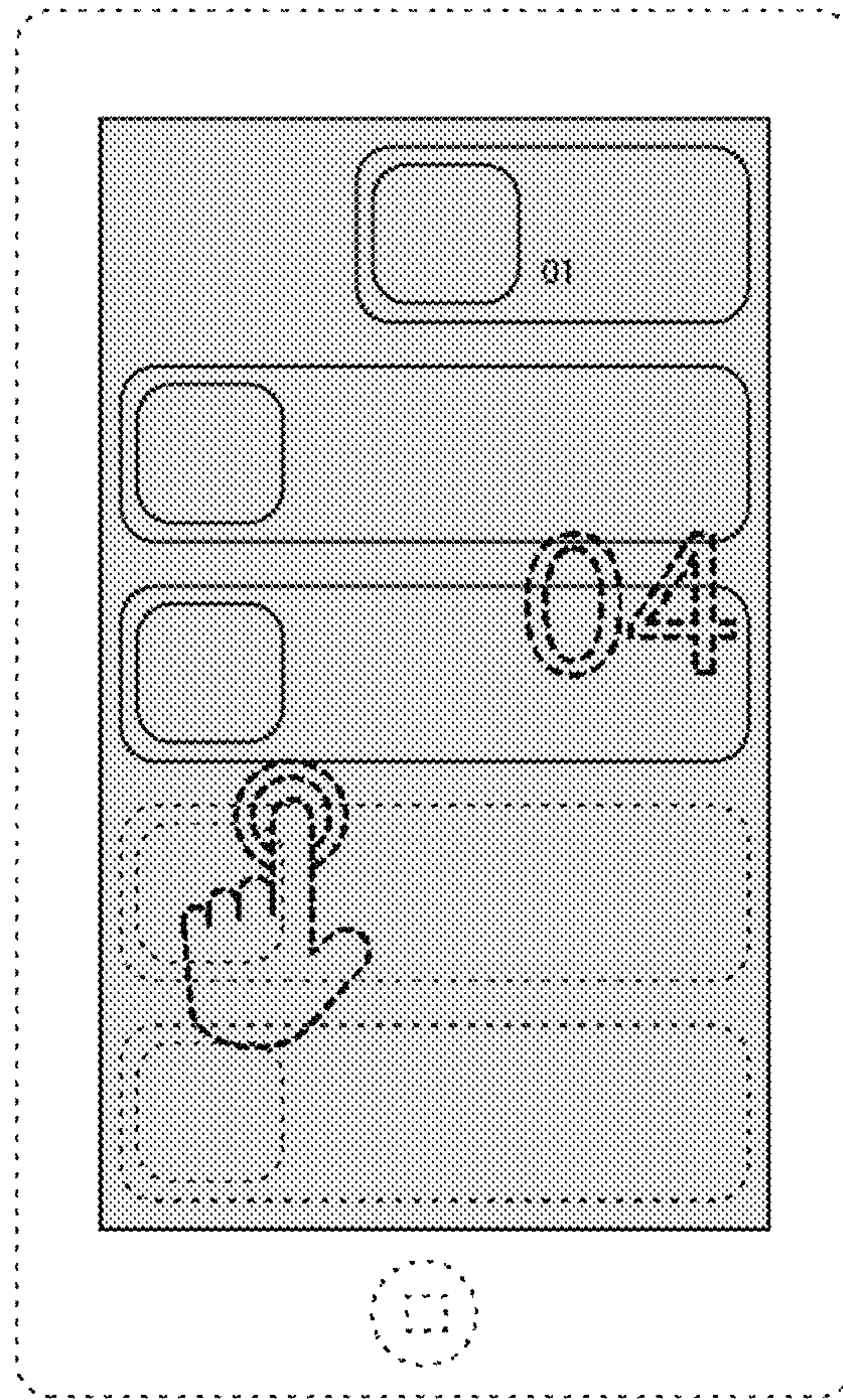


FIG. 10

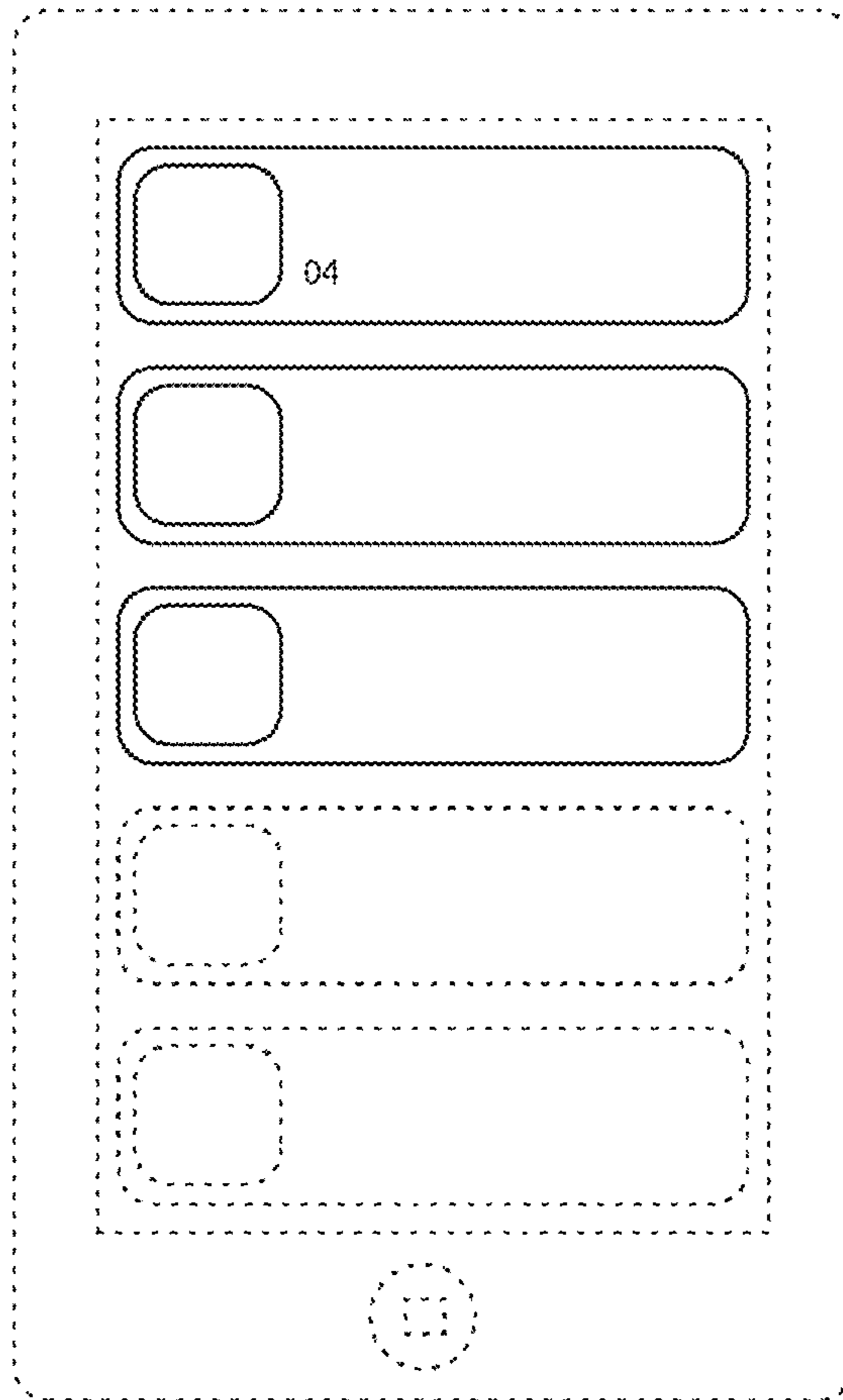


FIG. 11