



US00D960169S

(12) **United States Design Patent** (10) **Patent No.:** **US D960,169 S**
Liu (45) **Date of Patent:** **** Aug. 9, 2022**

(54) **WIRELESS USB DONGLE**
(71) Applicant: **ShenzhenBilianElectronicLimited,**
Shenzhen (CN)
(72) Inventor: **Yunsheng Liu,** Nanyang (CN)
(73) Assignee: **SHENZHENBILIAN-**
ELECTRONICLIMITED, Shenzhen
(CN)
(**) Term: **15 Years**
(21) Appl. No.: **29/779,991**
(22) Filed: **Apr. 22, 2021**
(51) **LOC (13) Cl.** **14-05**
(52) **U.S. Cl.**
USPC **D14/480.1**
(58) **Field of Classification Search**
USPC D14/480.1–480.7, 435.1, 411, 433, 436,
D14/484.1, 137, 155, 203.1–203.8, 240,
D14/242, 496, 474; D13/133, 154
CPC H05K 5/0278; G06K 19/07732
See application file for complete search history.

(56) **References Cited**
U.S. PATENT DOCUMENTS
D648,730 S 11/2011 Huang
D688,651 S * 8/2013 Daniel D14/240
D703,679 S * 4/2014 Chen D14/480.1
D703,680 S * 4/2014 Lin D14/480.1
D707,688 S * 6/2014 Wu D14/480.1
D758,371 S 6/2016 Daniel

D759,003 S * 6/2016 Daniel D14/240
D771,637 S * 11/2016 Shim D14/480.5
D798,307 S * 9/2017 Otsuka D14/480.1
D798,880 S * 10/2017 Otsuka D14/480.3
D874,469 S * 2/2020 Shim D14/480.1
D878,383 S * 3/2020 McEuen D14/480.5
D903,690 S * 12/2020 Xu D14/480.6
D940,133 S * 1/2022 Bockenstedt D14/383
2018/0157891 A1 * 6/2018 Wang H05K 5/0278

FOREIGN PATENT DOCUMENTS

CN 305688612 * 4/2020

* cited by examiner

Primary Examiner — Angela J Lee

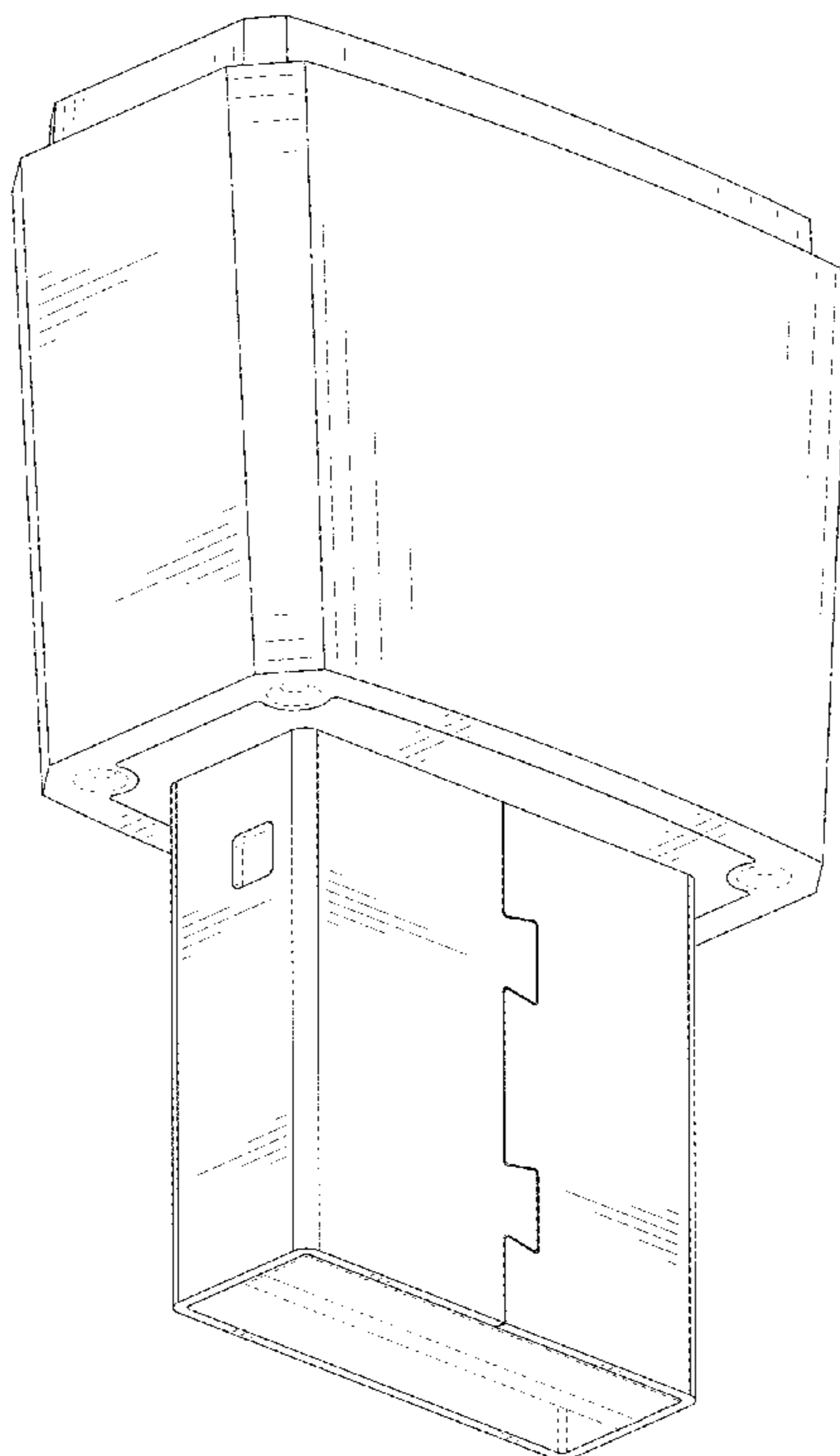
(57) **CLAIM**

The ornamental design for a wireless USB dongle, as shown and described.

DESCRIPTION

FIG. 1 is a perspective view of a wireless USB dongle showing my new design;
FIG. 2 is another perspective view thereof;
FIG. 3 is a front elevational view thereof;
FIG. 4 is a rear elevational view thereof;
FIG. 5 is a left side elevational view thereof;
FIG. 6 is a right side elevational view thereof;
FIG. 7 is a top plan view thereof; and,
FIG. 8 is a bottom plan view thereof.
The broken lines in the drawings depict portions of the wireless USB dongle that form no part of the claimed design.

1 Claim, 8 Drawing Sheets



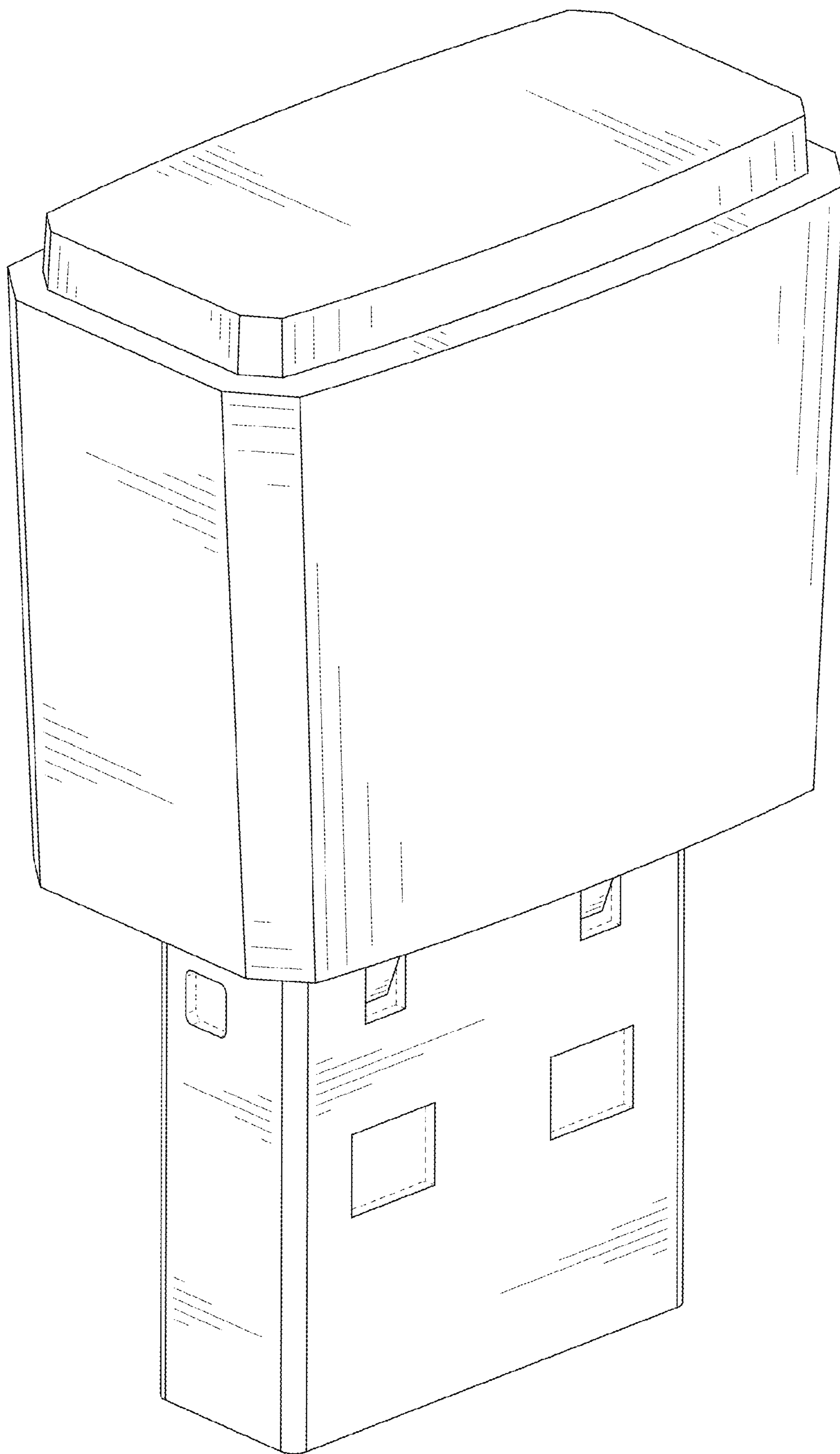


FIG. 1

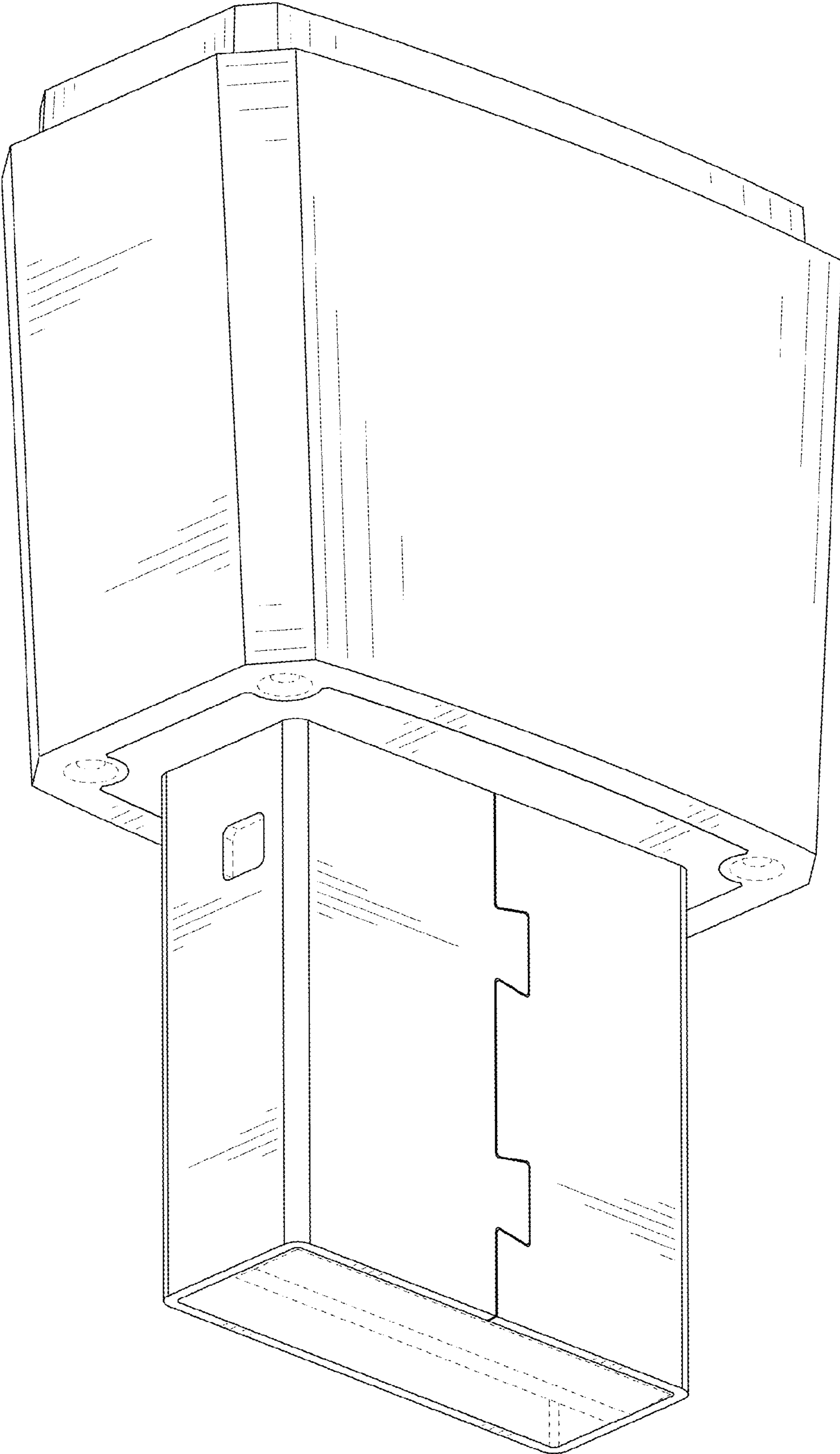


FIG. 2

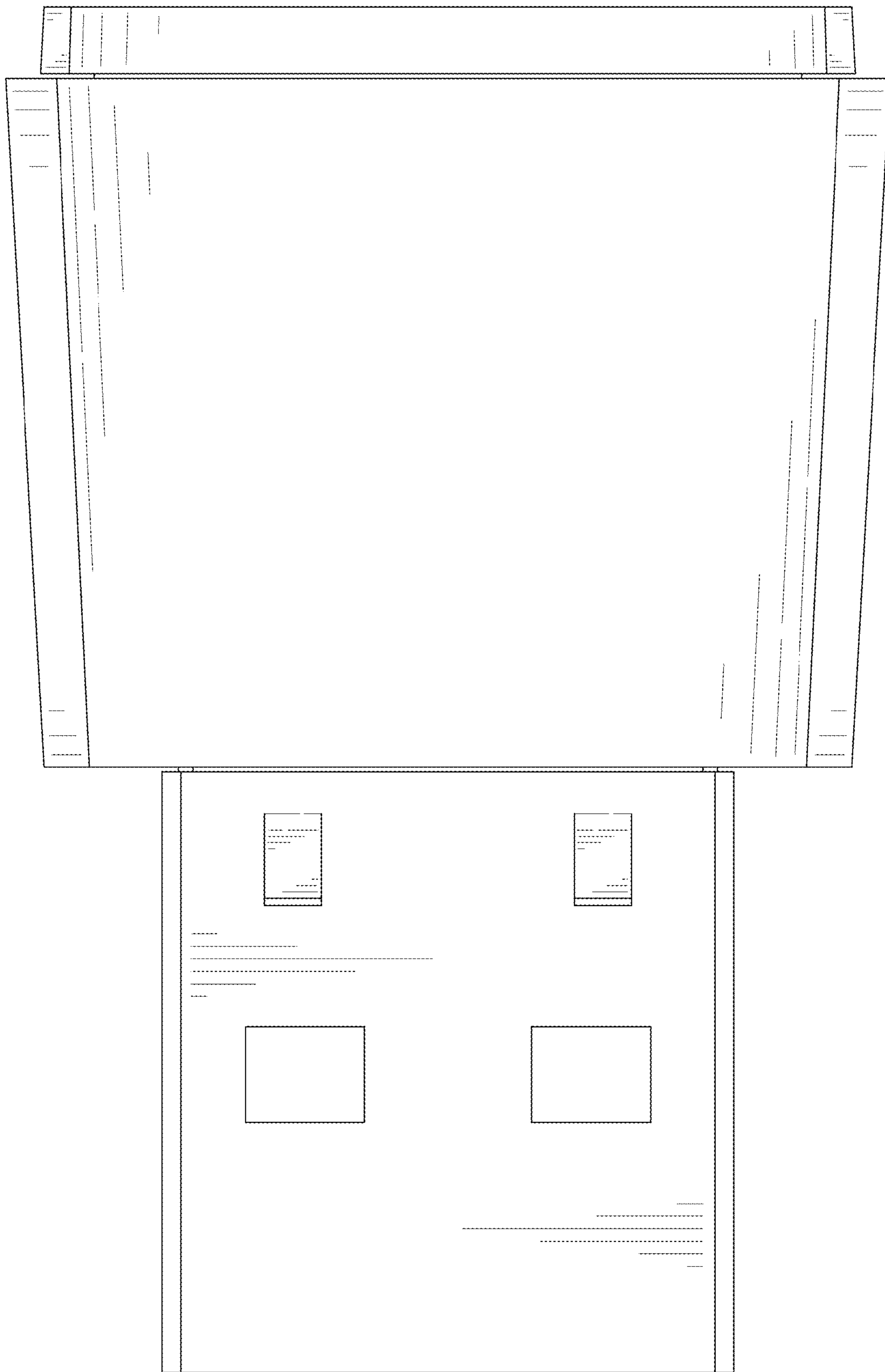


FIG. 3

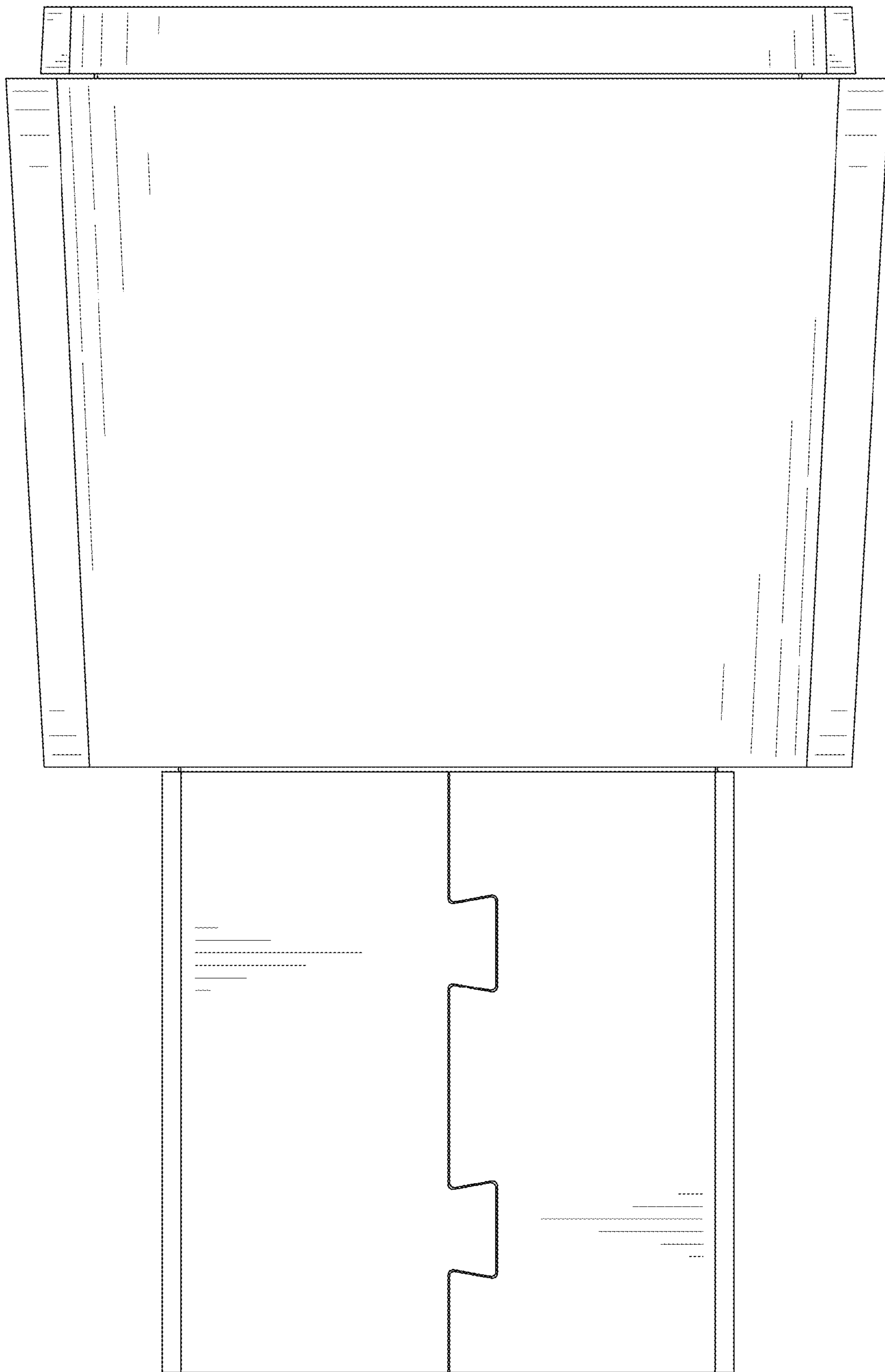


FIG. 4

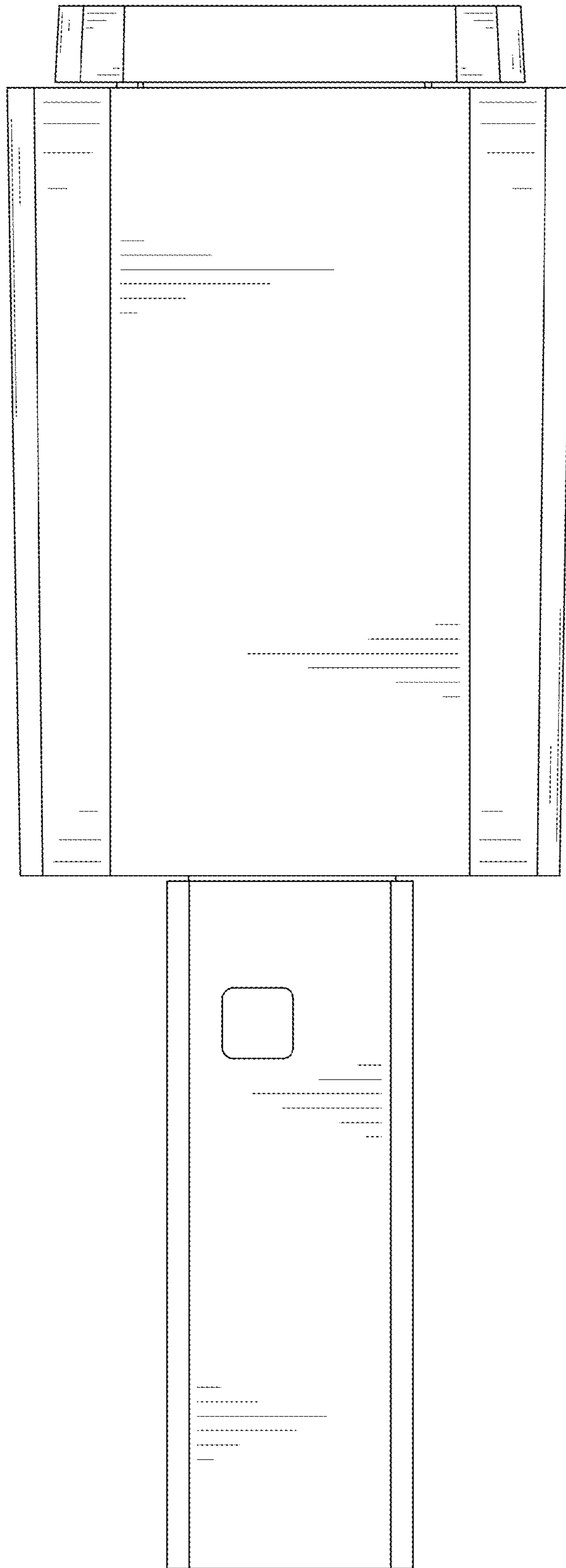


FIG. 5

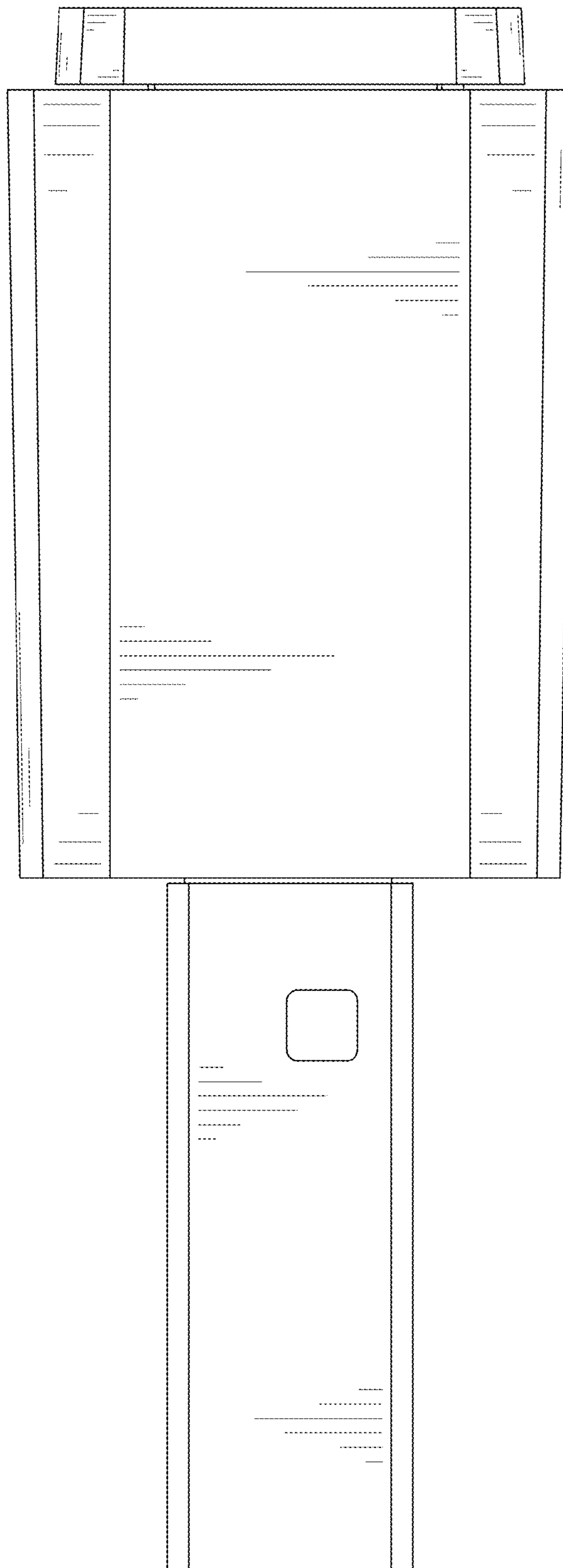


FIG. 6

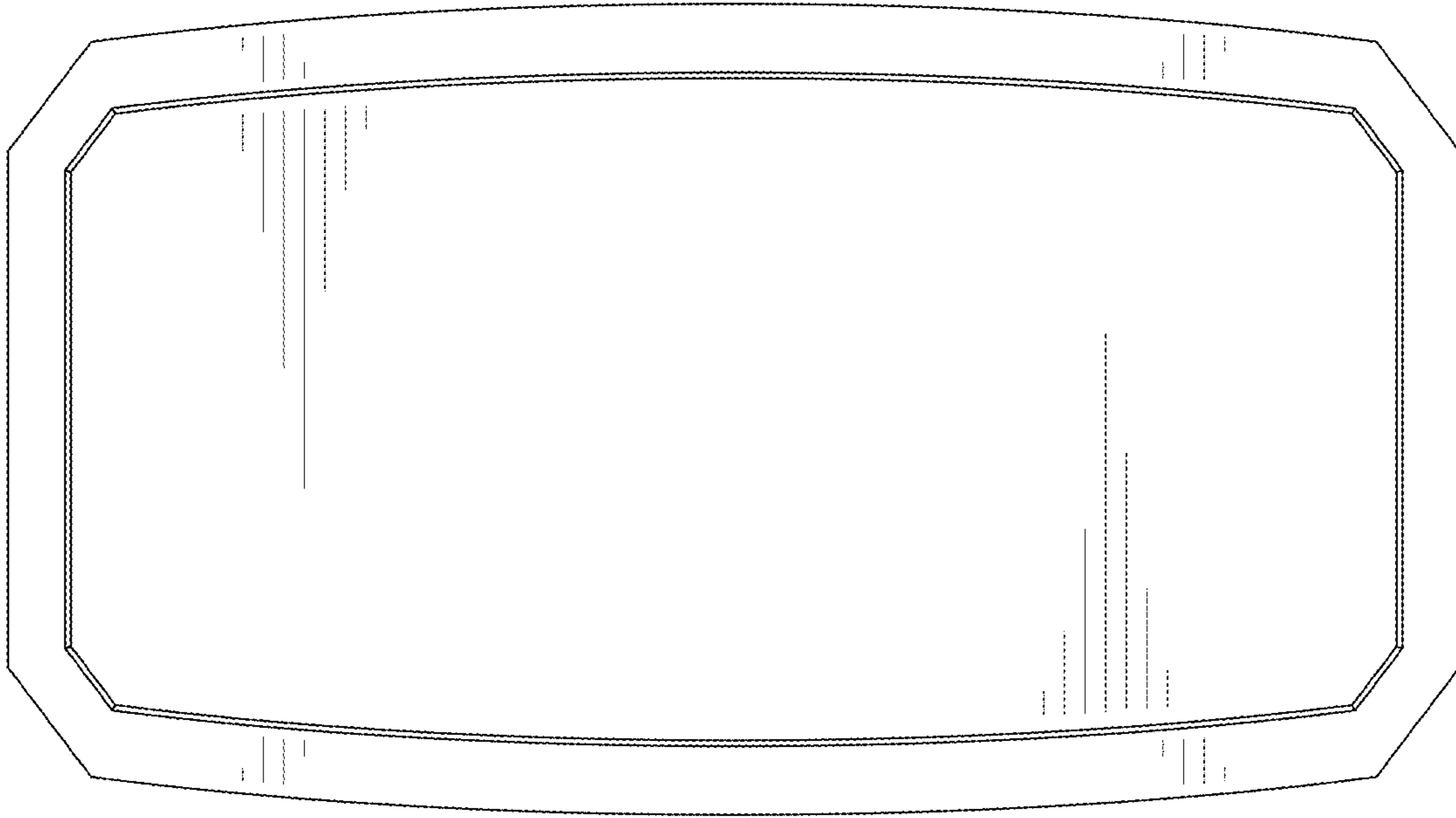


FIG. 7

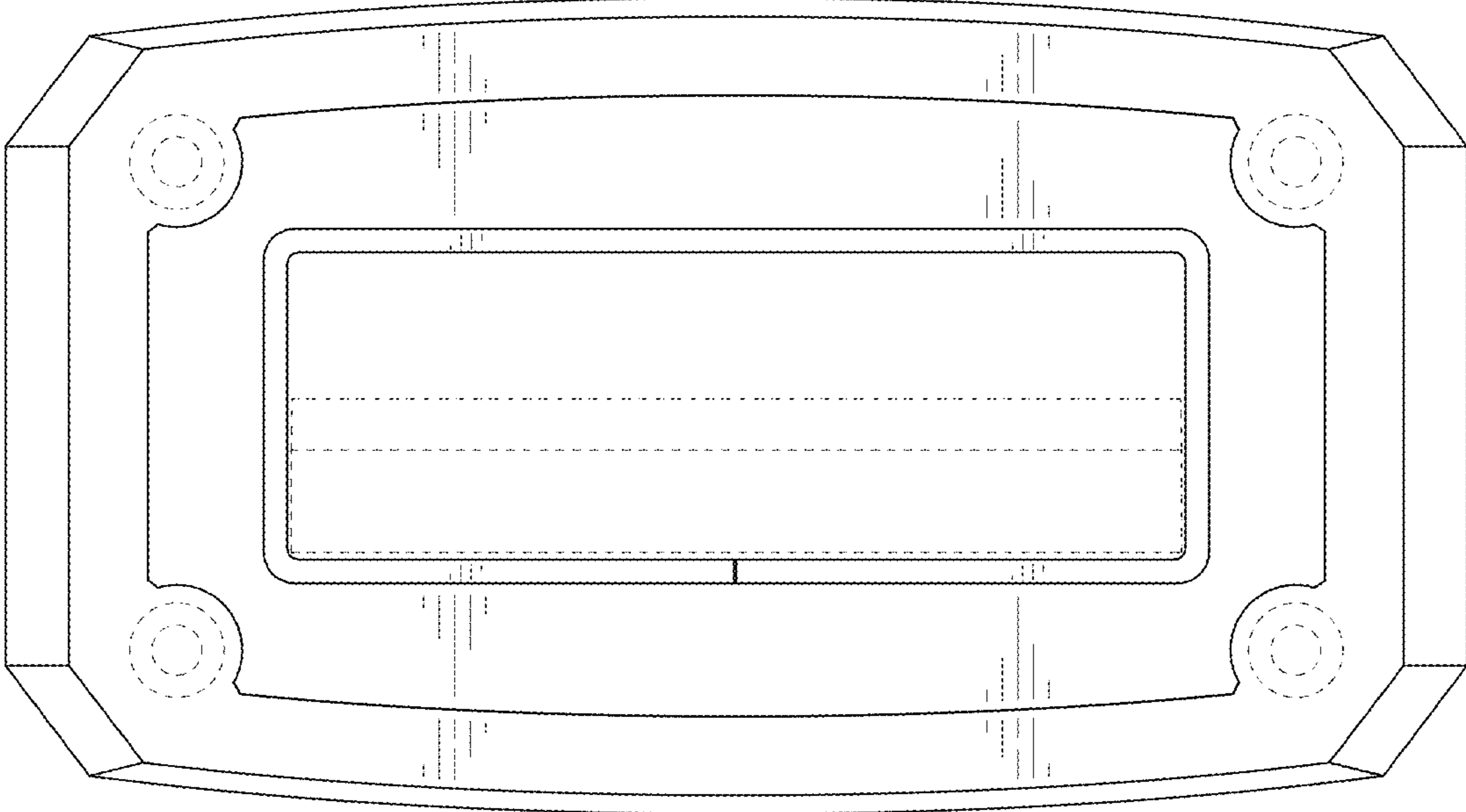


FIG. 8