



US00D960167S

(12) **United States Design Patent**
Ubbesen et al.

(10) **Patent No.:** **US D960,167 S**
(45) **Date of Patent:** **** Aug. 9, 2022**

(54) **PORTABLE MEDICAL MONITOR MOUNT**

(71) Applicant: **AMBU A/S, Ballerup (DK)**

(72) Inventors: **Line Sandahi Ubbesen, Holte (DK);
Brian Nielsen, Næstved (DK); Henrik
Frengler, Værløse (DK)**

(73) Assignee: **AMBU A/S, Ballerup (DK)**

(**) Term: **15 Years**

(21) Appl. No.: **29/725,085**

(22) Filed: **Feb. 21, 2020**

(51) **LOC (13) Cl.** **14-02**

(52) **U.S. Cl.**
USPC **D14/447; D24/186**

(58) **Field of Classification Search**
USPC ... D14/434, 433, 435, 435.1, 356, 357, 358,
D14/440, 447, 251–253, 432, 451, 452,
D14/454, 217, 240, 299, 496, 171, 300,
D14/301, 302, 314, 348, 353–355, 363,
D14/365, 125, 385; D13/103, 107, 108,
D13/184, 110, 123, 133, 135, 137.2,
D13/139.2, 139.4, 118; D21/333;
D24/104, 127, 184, 185, 186, 231;
D12/415

CPC G06F 1/1632; G06F 1/1607; G06F 13/00;
G06F 13/38; G06F 13/382; G06F 13/385;
G06F 13/387; G06F 3/065; G06F 9/541;
G06F 2213/3814; G06F 2213/40; G06F
2213/4004; H01R 31/06; H01R 31/065;
H01R 27/00; H01R 13/512; H01R 13/62;
H04R 5/04

See application file for complete search history.

(56) **References Cited**

U.S. PATENT DOCUMENTS

D456,024 S * 4/2002 Richter D14/434
D494,182 S * 8/2004 Singer D14/447

D521,990 S * 5/2006 Richter D14/434
D586,348 S * 2/2009 Leung D12/415
D643,030 S * 8/2011 Cheng D14/253
D724,072 S * 3/2015 Jiang D14/447
D742,885 S * 11/2015 Chen D14/434
D769,235 S * 10/2016 Li D14/253
D771,635 S * 11/2016 Kuo D14/457
D789,886 S * 6/2017 Socha-Leialoha D14/434
9,847,002 B2 * 12/2017 Kiani A61B 5/1455
D810,091 S * 2/2018 Cho D14/451
D817,874 S * 5/2018 Tsai D13/108
D829,203 S * 9/2018 Chen D14/253
D829,808 S * 10/2018 Frisancho Vera D16/245
D841,725 S * 2/2019 Frisancho Vera D16/245
D849,833 S * 5/2019 Eun D18/12

(Continued)

Primary Examiner — Marie D. Fast Horse

(74) *Attorney, Agent, or Firm* — Faegre Drinker Biddle & Reath LLP

(57) **CLAIM**

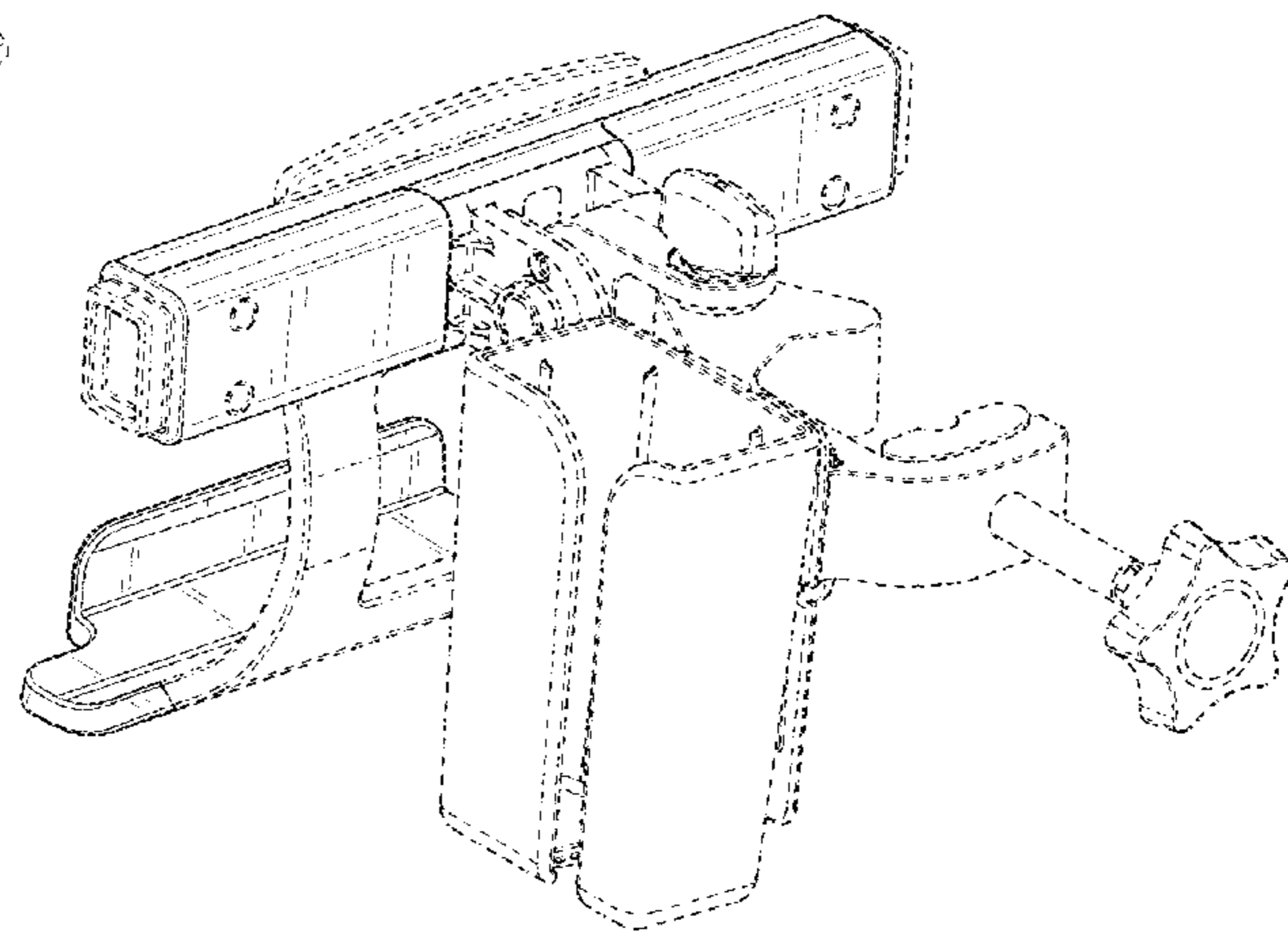
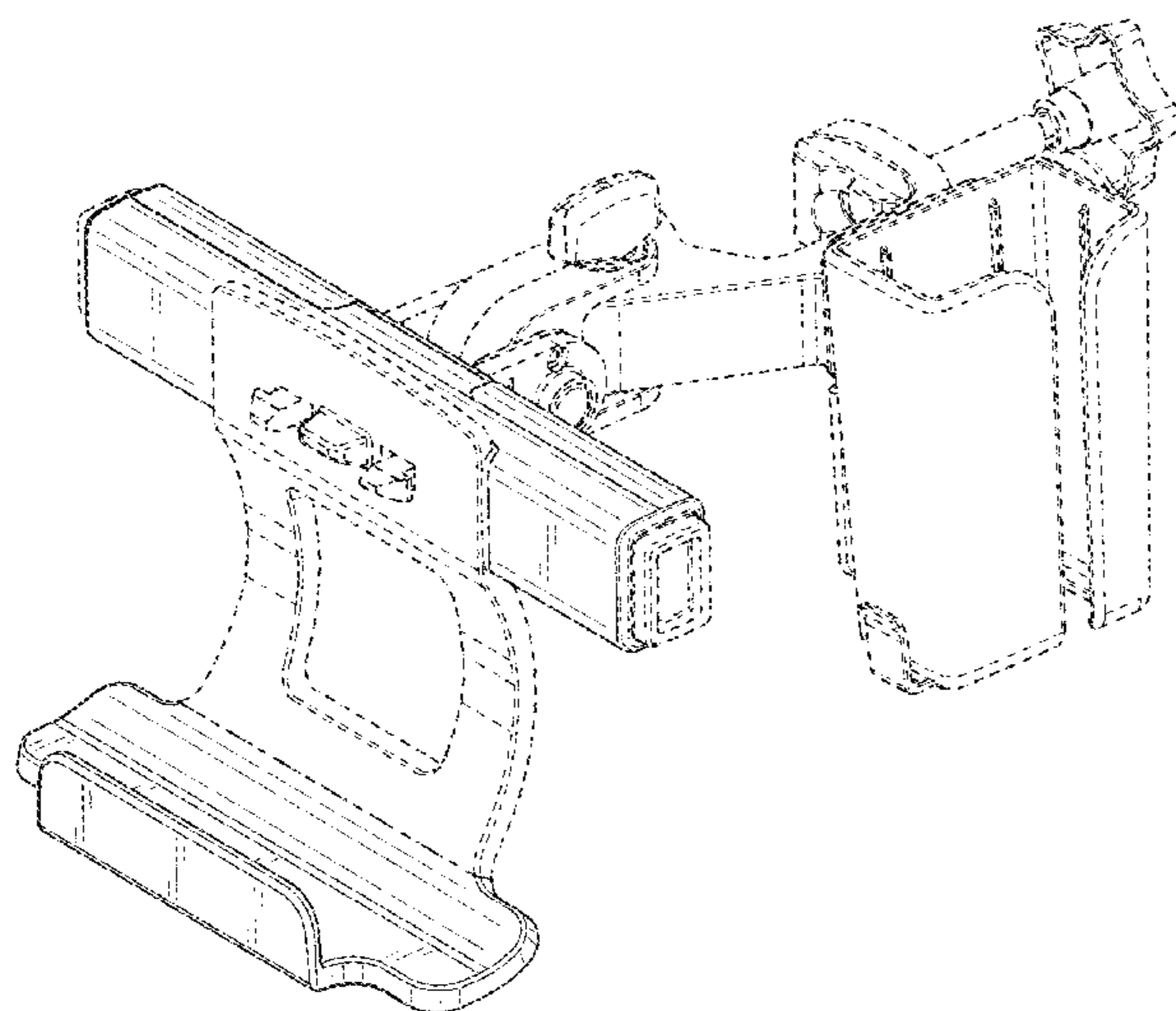
The ornamental design for a portable medical monitor mount, as shown and described.

DESCRIPTION

FIG. 1 is a front perspective view of a portable medical monitor mount showing our new design; FIG. 2 is a rear perspective view thereof; FIG. 3 is a front view thereof; FIG. 4 is a rear view thereof; FIG. 5 is a left side view thereof; FIG. 6 is a right side view thereof; FIG. 7 is a bottom view thereof; and, FIG. 8 is a top view thereof.

The broken lines consisting of uniformly-sized dashes depict portions of the portable medical monitor mount that form no part of the claimed design. The broken lines consisting of lone and short dashes define the boundary of the claim, which extends to the boundary but does not include the boundary.

1 Claim, 8 Drawing Sheets



(56)

References Cited

U.S. PATENT DOCUMENTS

10,343,778 B2 * 7/2019 Peuziat B64D 11/06
D858,422 S * 9/2019 Min D12/415
D859,393 S * 9/2019 Dang D12/415
D862,454 S * 10/2019 Chun D12/415
D863,205 S * 10/2019 Lin D12/415
D864,092 S * 10/2019 Zhang D12/415
D867,355 S * 11/2019 Chun D14/253
D868,054 S * 11/2019 Kim D12/415
D872,727 S * 1/2020 Chung D12/415
D873,830 S * 1/2020 Cheng D14/434
D877,688 S * 3/2020 Liu D12/415
D879,090 S * 3/2020 Chung D12/415
D881,201 S * 4/2020 Lou D14/447
D890,740 S * 7/2020 Khubani D12/415
D894,891 S * 9/2020 Zhang D12/415
D895,601 S * 9/2020 Liao D14/253
D895,602 S * 9/2020 Cheng D14/253
D897,333 S * 9/2020 Liao D14/253
10,835,106 B1 * 11/2020 Ubbesen G06F 1/1607
D909,362 S * 2/2021 Cheng D14/253
D911,951 S * 3/2021 Yang D13/108
D915,389 S * 4/2021 Lin D14/253
D917,498 S * 4/2021 Chiu D14/452
10,980,397 B1 * 4/2021 Ubbesen G06F 1/1607
D919,098 S * 5/2021 Couch D24/185
D919,100 S * 5/2021 Al-Ali D24/186
D923,180 S * 6/2021 St. Pierre D24/185
D923,799 S * 6/2021 St. Pierre D24/185
D925,546 S * 7/2021 Lai D14/447
D931,185 S * 9/2021 Zhang D12/415
11,109,741 B1 * 9/2021 Ubbesen G06F 1/1632
D934,234 S * 10/2021 Deng D14/447
D940,146 S * 1/2022 Fehr D14/447
2017/0102735 A1 * 4/2017 Blowers G06F 1/1632
2021/0173442 A1 * 6/2021 Luhar G06F 1/1632

* cited by examiner

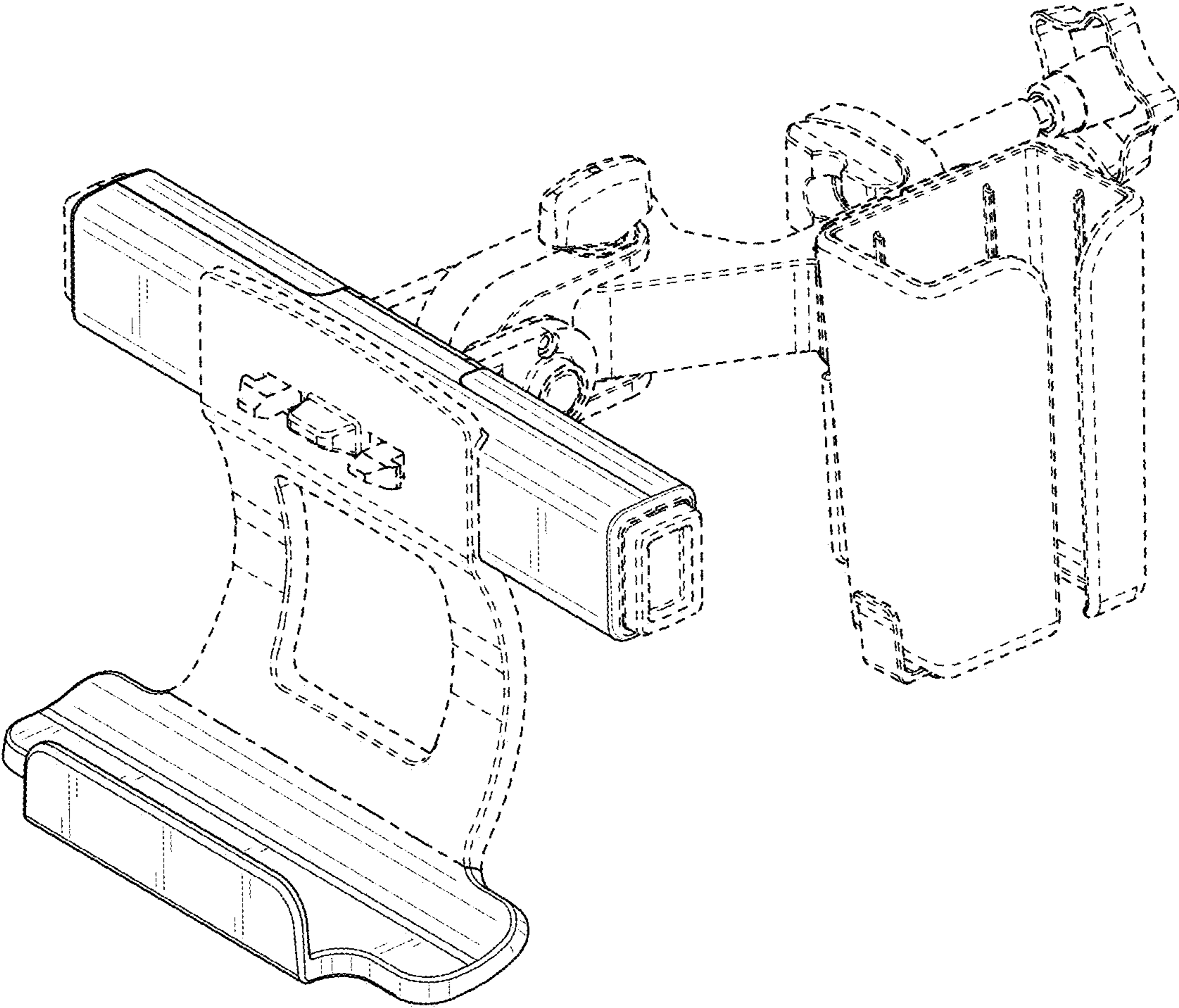


FIG. 1

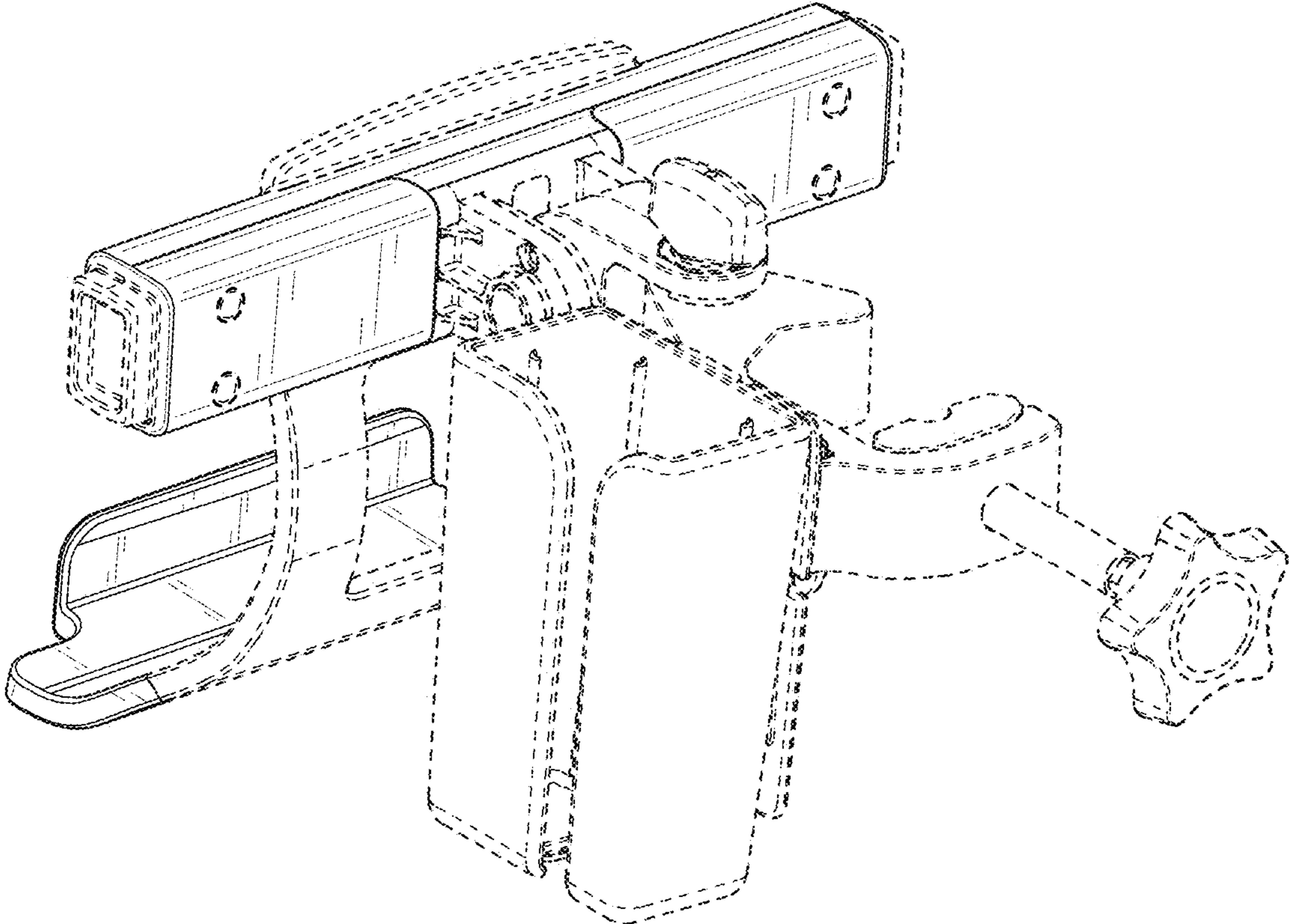


FIG. 2

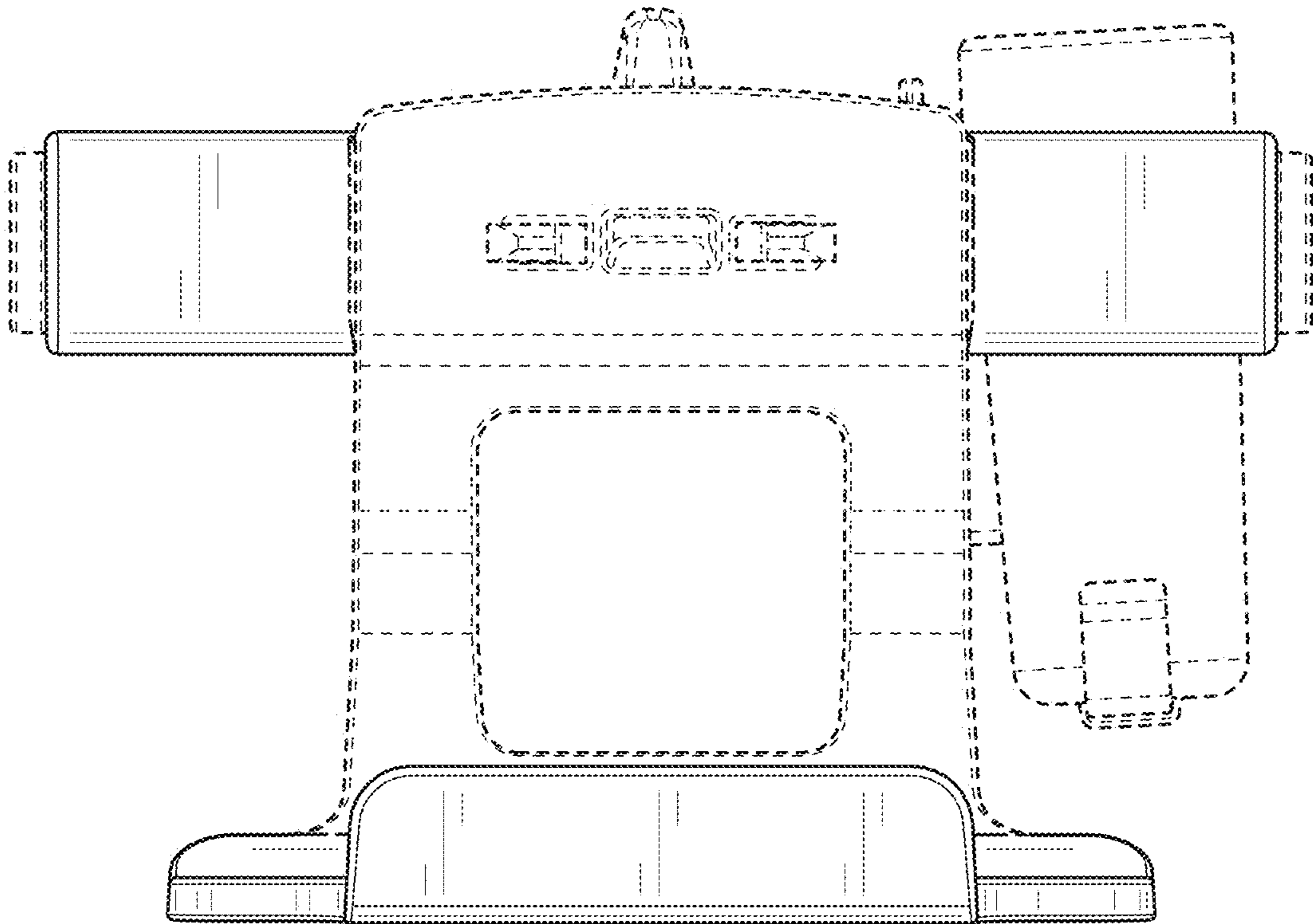


FIG. 3

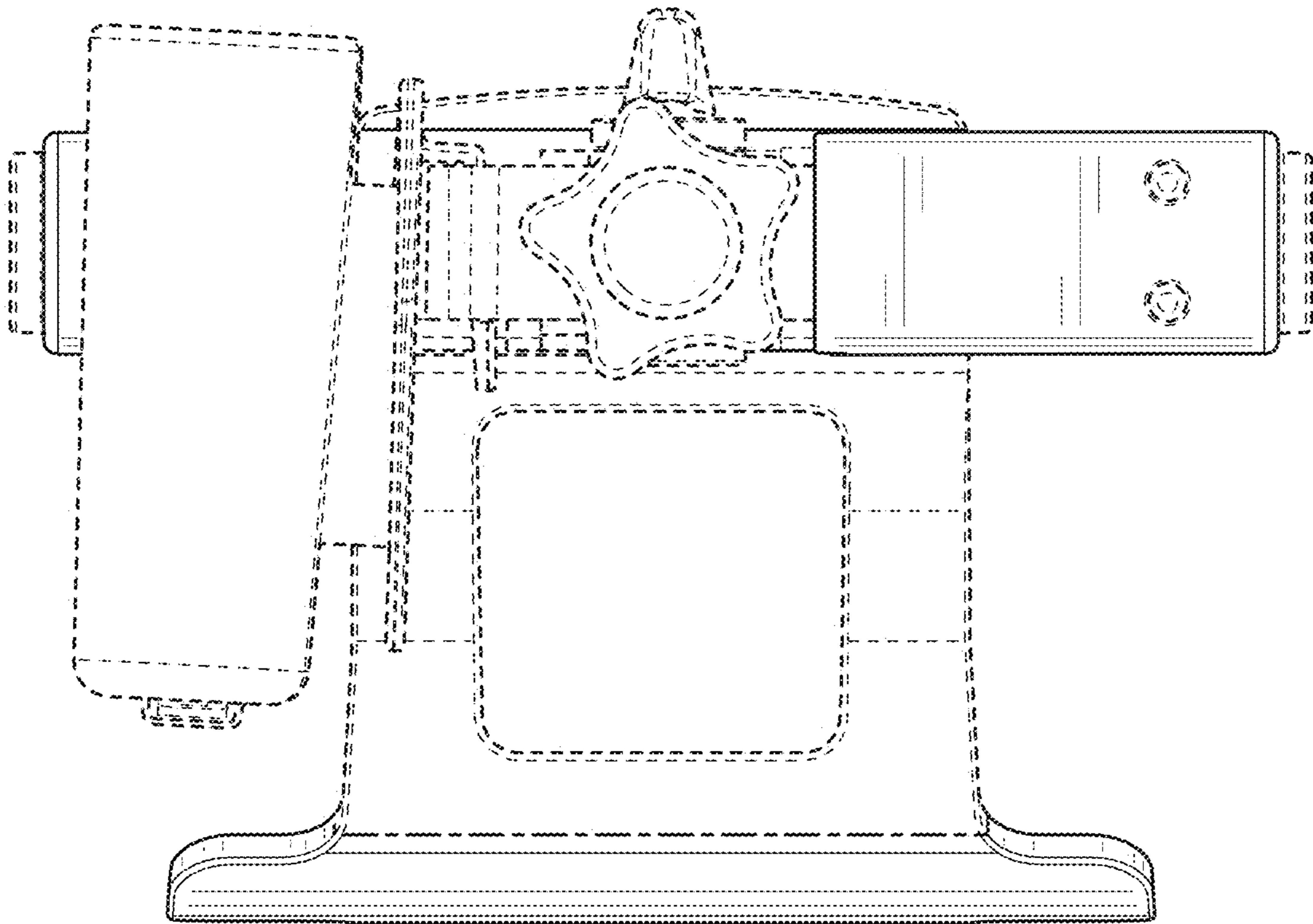


FIG. 4

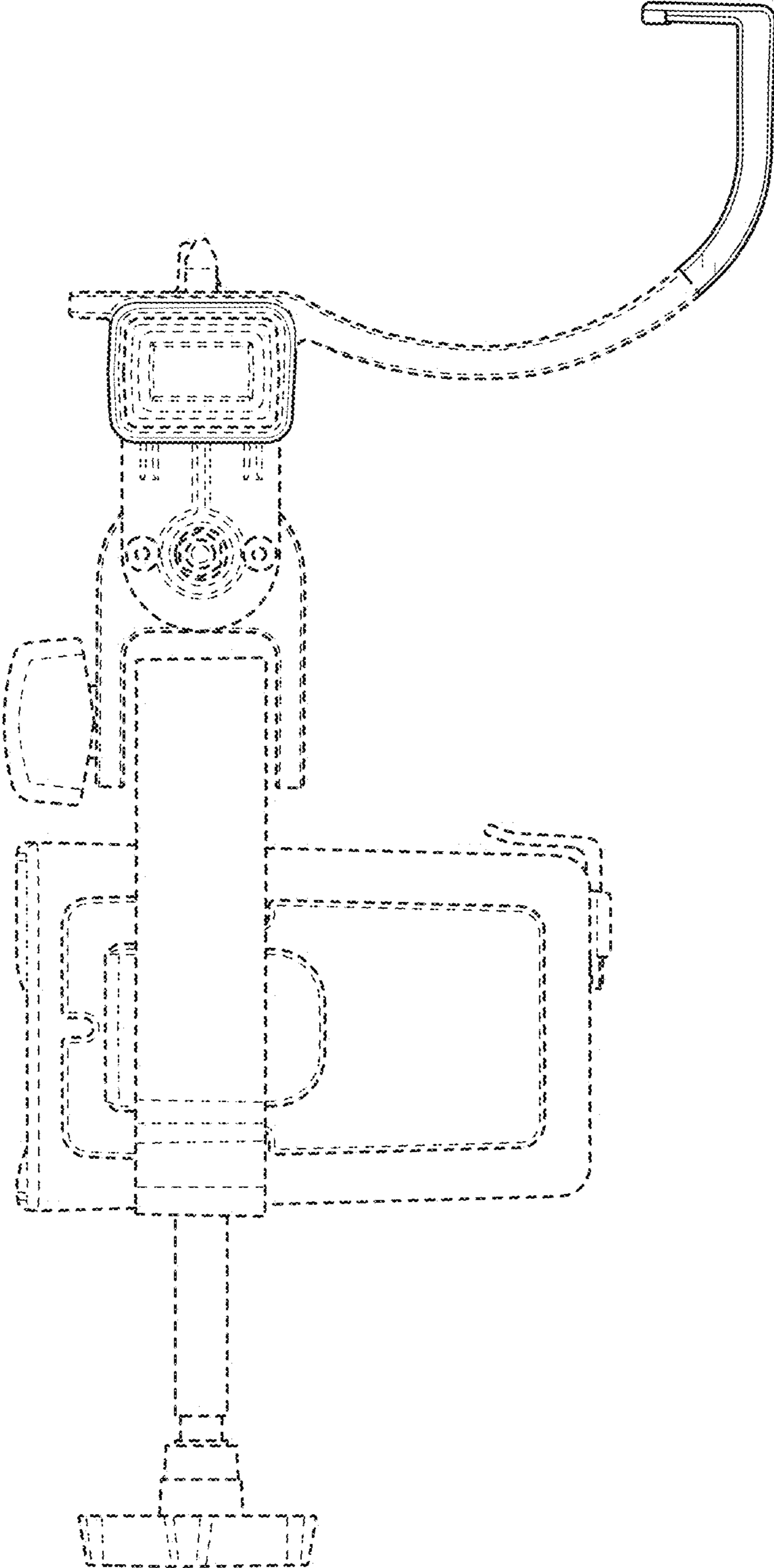


FIG. 5

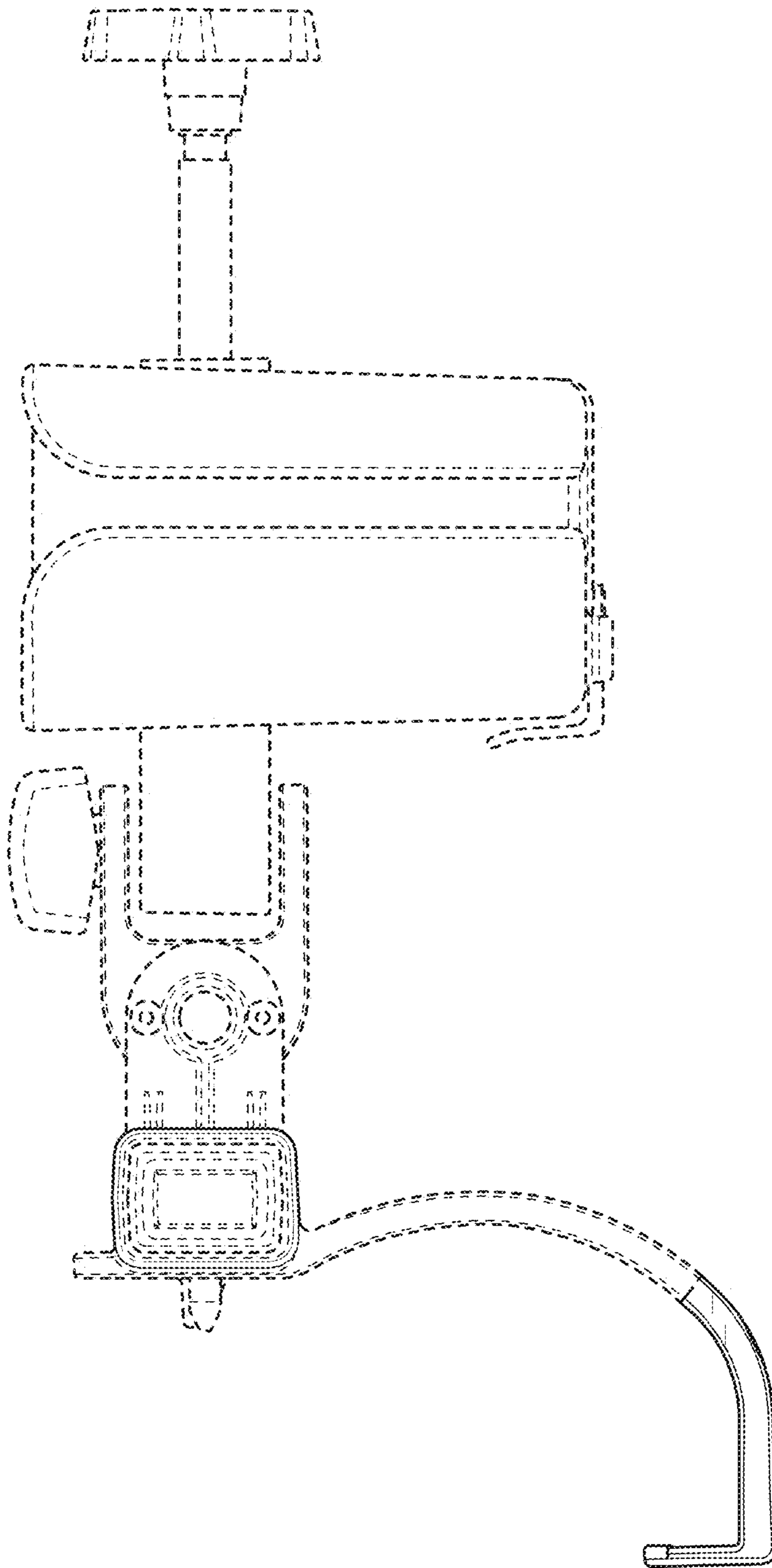


FIG. 6

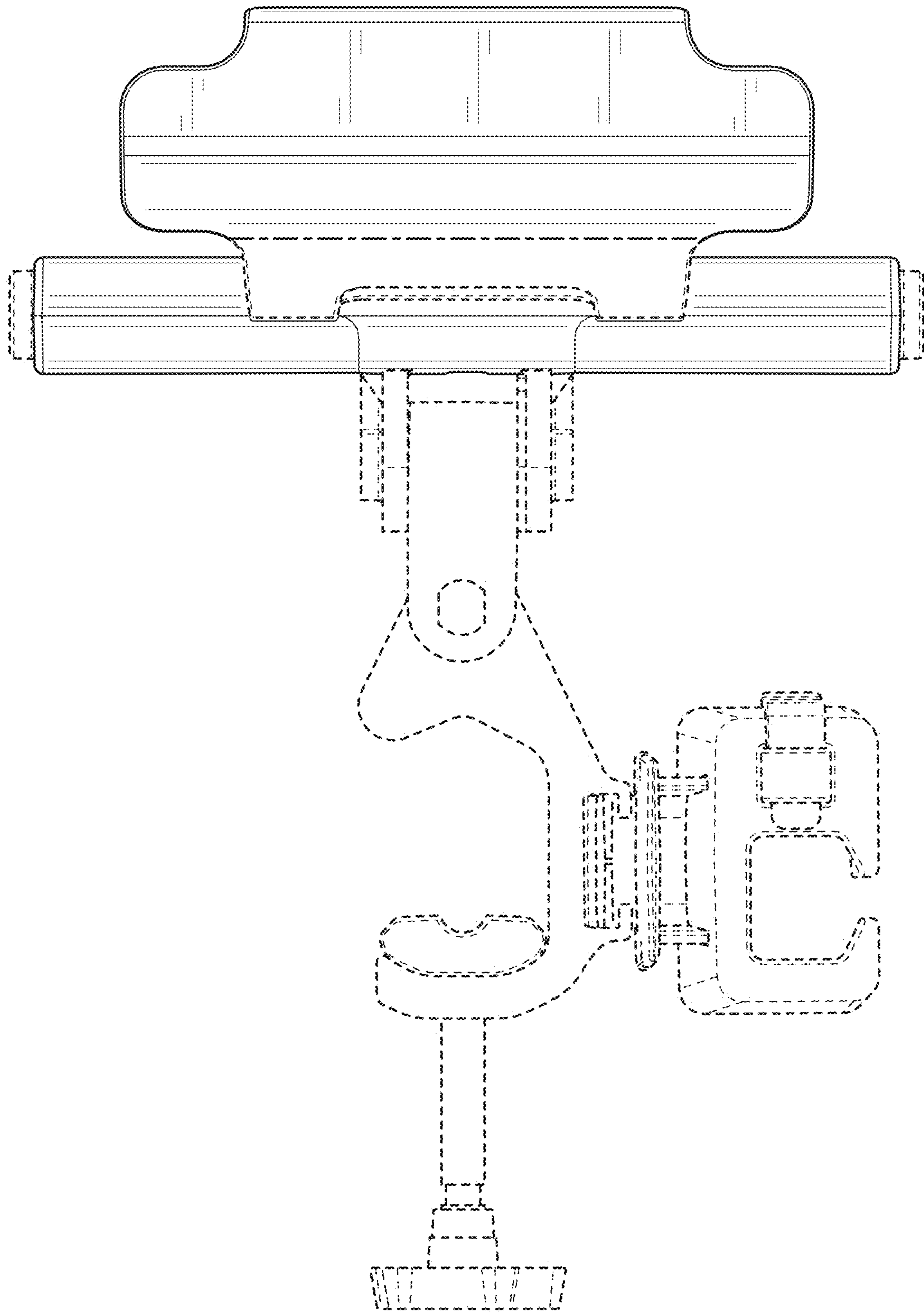


FIG. 7

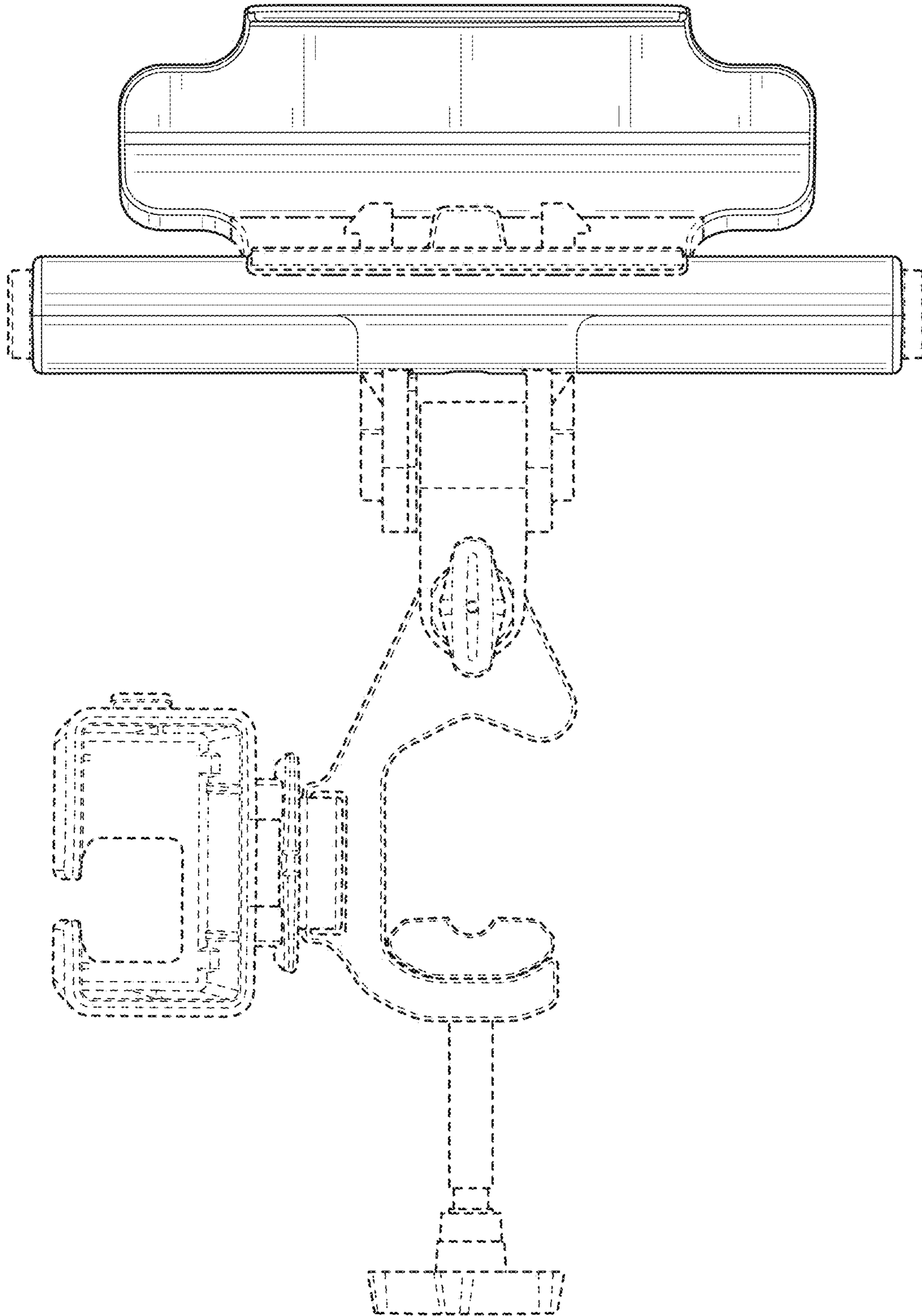


FIG. 8

UNITED STATES PATENT AND TRADEMARK OFFICE
CERTIFICATE OF CORRECTION

PATENT NO. : D960,167 S
APPLICATION NO. : 29/725085
DATED : August 9, 2022
INVENTOR(S) : Line Sandahl Ubbesen, Brian Nielsen and Henrik Frengler

Page 1 of 1

It is certified that error appears in the above-identified patent and that said Letters Patent is hereby corrected as shown below:

On the Title Page

In Item (72) "Inventors", change "Line Sandahi Ubbesen" to --Line Sandahl Ubbesen--

Signed and Sealed this
Fifteenth Day of November, 2022



Katherine Kelly Vidal
Director of the United States Patent and Trademark Office