



US00D960163S

(12) **United States Design Patent**
Wright et al.

(10) **Patent No.:** **US D960,163 S**

(45) **Date of Patent:** **** Aug. 9, 2022**

(54) **TOOL HOLDER FOR AN ELECTRONIC DEVICE**

(71) Applicant: **Catalyst Lifestyle Limited**, North Point (HK)

(72) Inventors: **Joshua Wright**, Hong Kong (CN);
June Lai, Hong Kong (CN)

(73) Assignee: **CATALYST LIFESTYLE LIMITED**, North Point (HK)

(**) Term: **15 Years**

(21) Appl. No.: **29/745,485**

(22) Filed: **Aug. 6, 2020**

(30) **Foreign Application Priority Data**

Feb. 26, 2020 (CN) 202030060862.X

(51) **LOC (13) Cl.** **14-02**

(52) **U.S. Cl.**
USPC **D14/432**

(58) **Field of Classification Search**
USPC D14/319–321, 348, 356–368, 498,
D14/501–503, 510; 720/617–644,
720/627–629, 646, 655–656; 360/99.19,
360/99.13, 98.01; 361/679.33, 679.37
CPC ... G06F 1/18; G06F 1/187; G06F 1/16; A47B
51/00; H05K 7/1487; H05K 7/14; G11B
33/124
See application file for complete search history.

(56) **References Cited**

U.S. PATENT DOCUMENTS

D243,975 S * 4/1977 Persson D9/504
D262,497 S * 1/1982 Chan D3/229
4,534,467 A * 8/1985 Rathbun A61J 3/071
426/138
D301,912 S * 6/1989 Ward D22/125

D312,446 S * 11/1990 DeLeo D13/133
D317,526 S * 6/1991 Lapham D3/265
D419,978 S * 2/2000 Mah D14/299
D439,038 S * 3/2001 Hinkle D3/211
D515,582 S * 2/2006 Landau D14/432
D523,416 S * 6/2006 Tompkins D14/191
D601,567 S * 10/2009 Lau D13/154
D711,891 S * 8/2014 Emami D14/480.5
D717,747 S * 11/2014 Nishimoto D14/125
D725,536 S * 3/2015 Anderson D11/79
D757,734 S * 5/2016 Emami D14/480.7
D759,028 S * 6/2016 Emami D14/480.1
D768,635 S * 10/2016 Due D14/432
D786,264 S * 5/2017 Lin D14/480.1
D793,995 S * 8/2017 Nakagawa D14/218

(Continued)

Primary Examiner — Austin Murphy

(74) *Attorney, Agent, or Firm* — Dinsmore & Shohl LLP

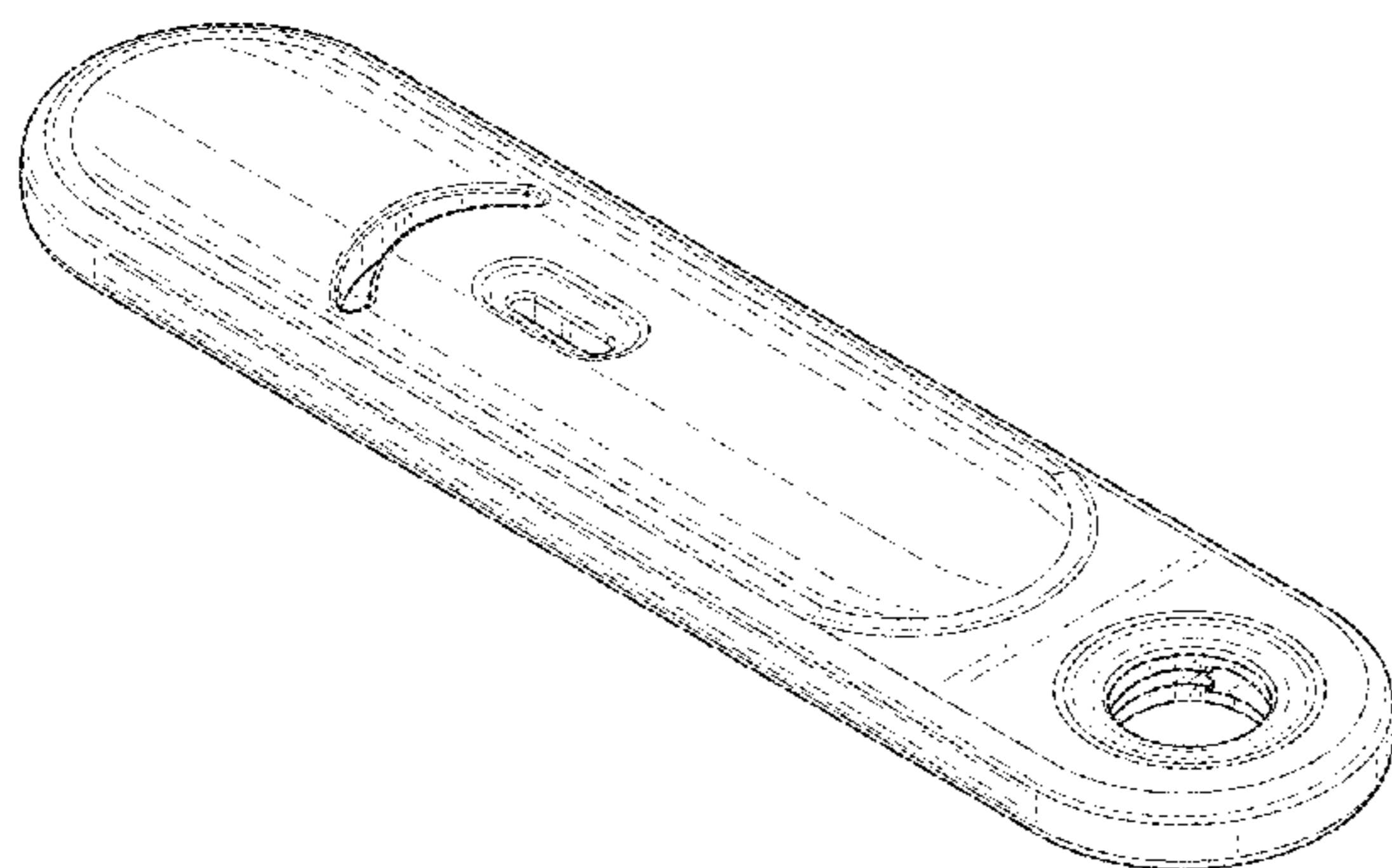
(57) **CLAIM**

The ornamental design for a tool holder for an electronic device, as shown and described.

DESCRIPTION

FIG. 1 is a perspective view including the front, side, and end of a tool holder for an electronic device;
FIG. 2 is a perspective view including the rear, side, and end of the tool holder for an electronic device;
FIG. 3 is a front elevation view of the tool holder for an electronic device;
FIG. 4 is a rear elevation view of the tool holder for an electronic device;
FIG. 5 is a side elevation of the tool holder for an electronic device;
FIG. 6 is an opposite side elevation view of the tool holder for an electronic device;
FIG. 7 is an end elevation view of the tool holder for an electronic device; and,
FIG. 8 is an opposite end elevation view of the tool holder for an electronic device.

1 Claim, 6 Drawing Sheets



(56)

References Cited

U.S. PATENT DOCUMENTS

D816,025 S *	4/2018	Thompson	D27/194
D842,307 S *	3/2019	Lin	D14/480.5
D864,213 S *	10/2019	Yang	D14/480.5
D897,950 S *	10/2020	Bailey	D27/194
D946,529 S *	3/2022	Tsuda	D13/133

* cited by examiner

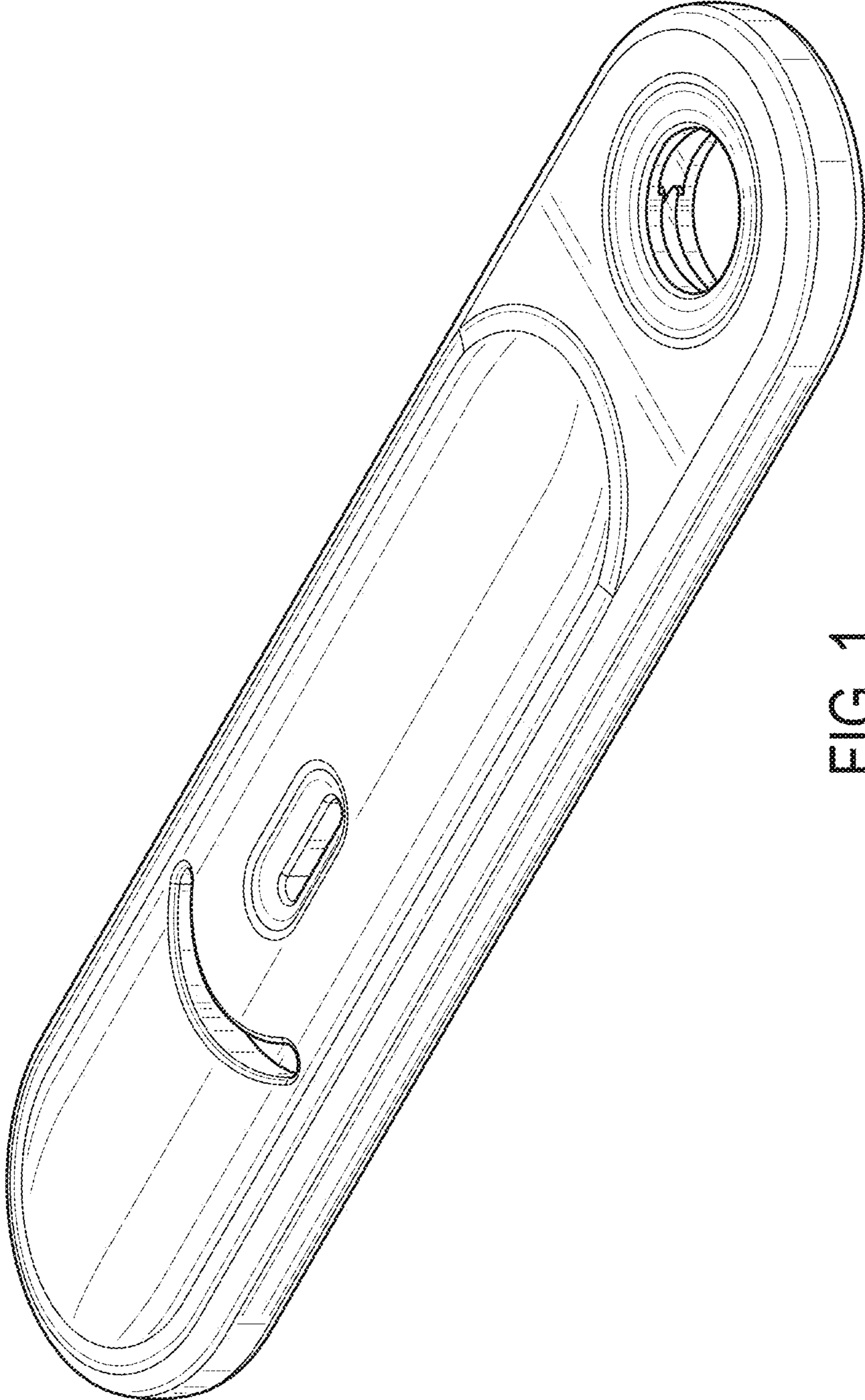


FIG. 1

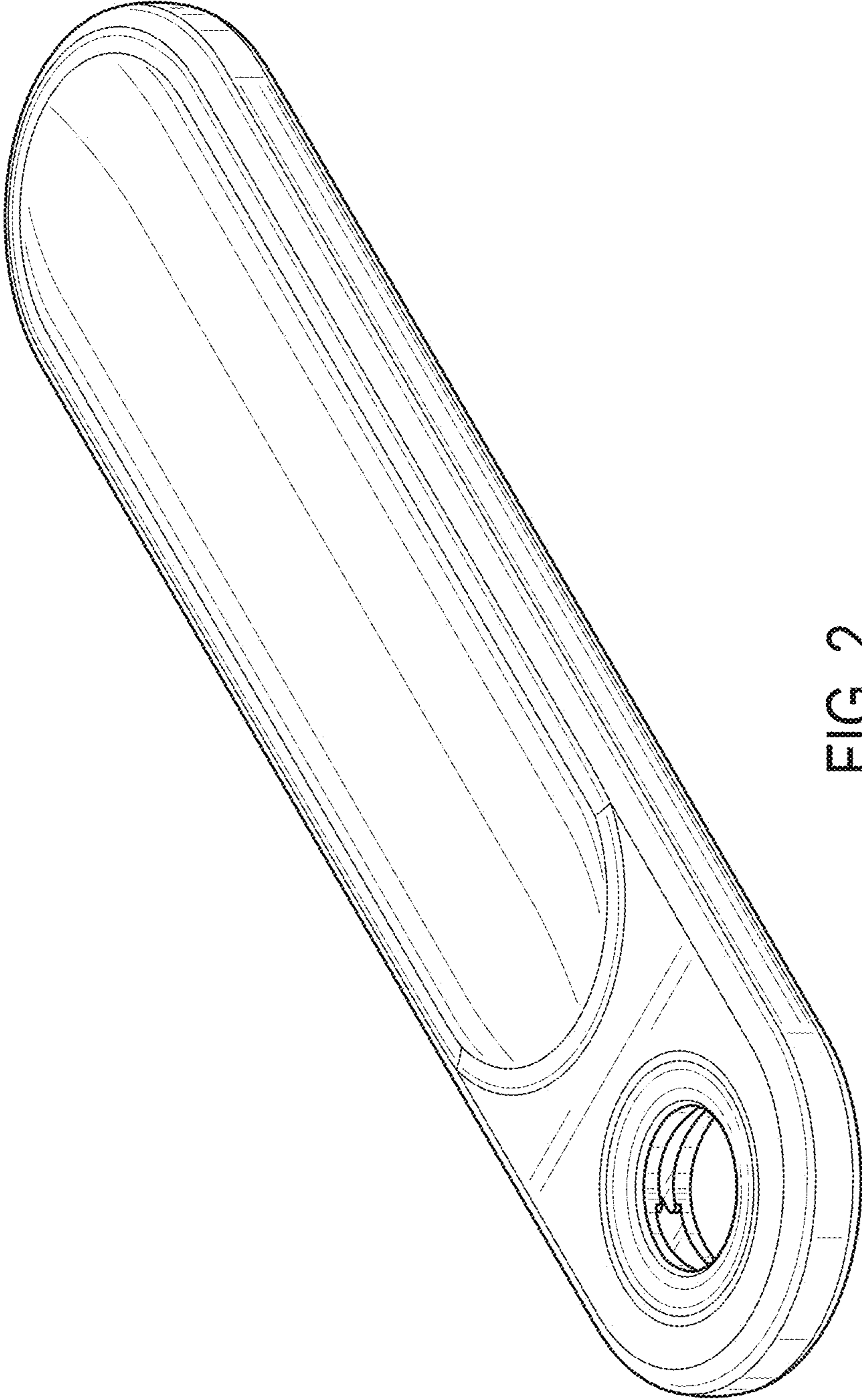


FIG. 2

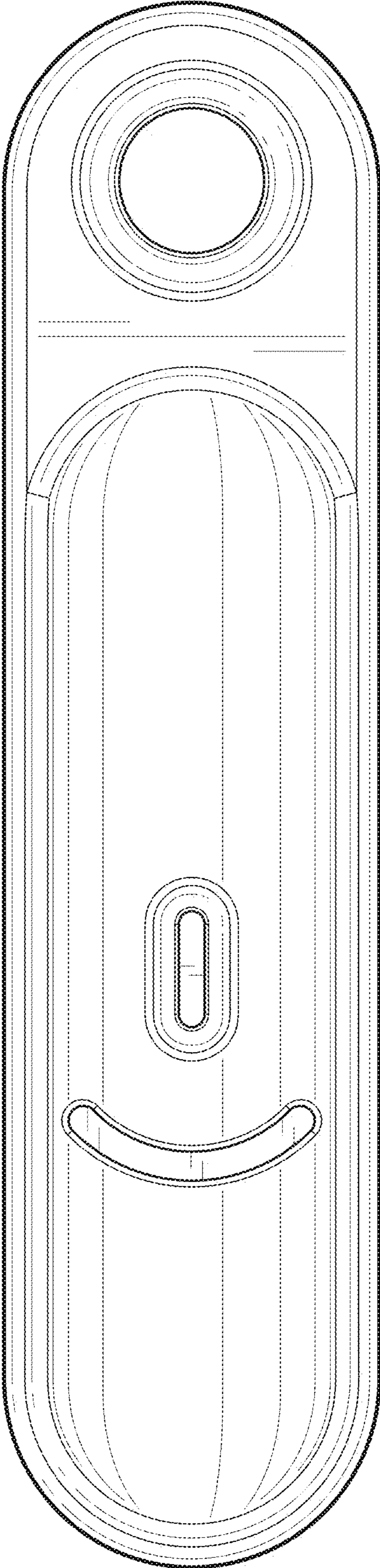


FIG. 3

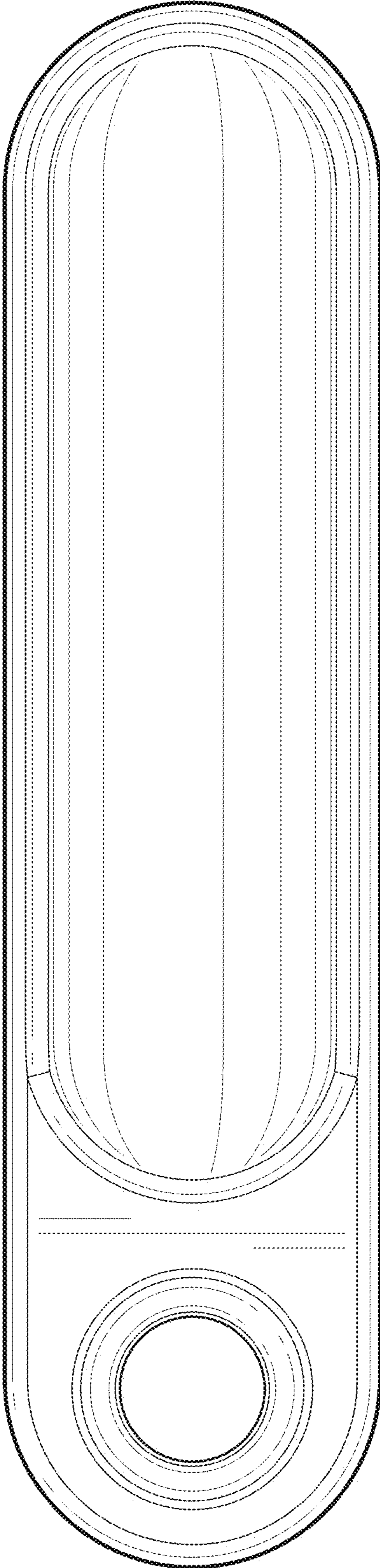


FIG. 4

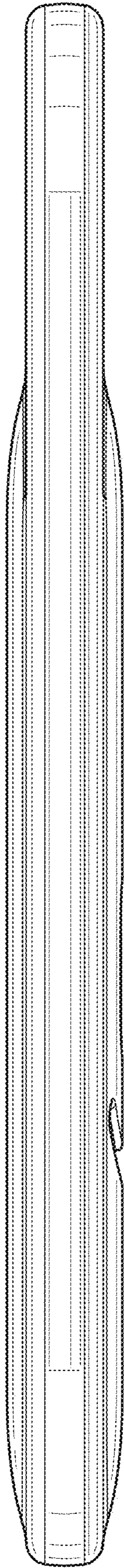


FIG. 5

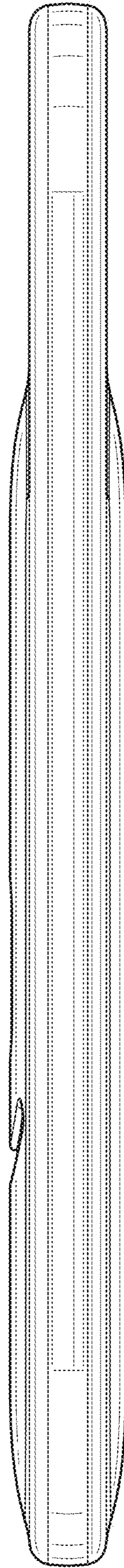


FIG. 6

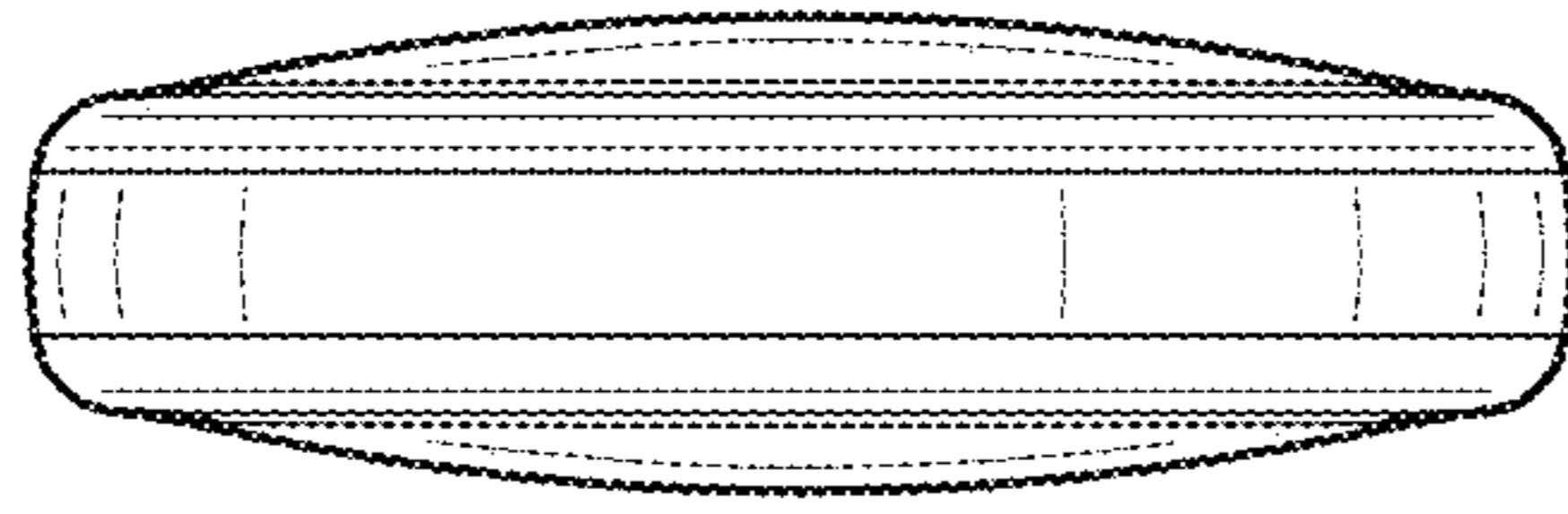


FIG. 8

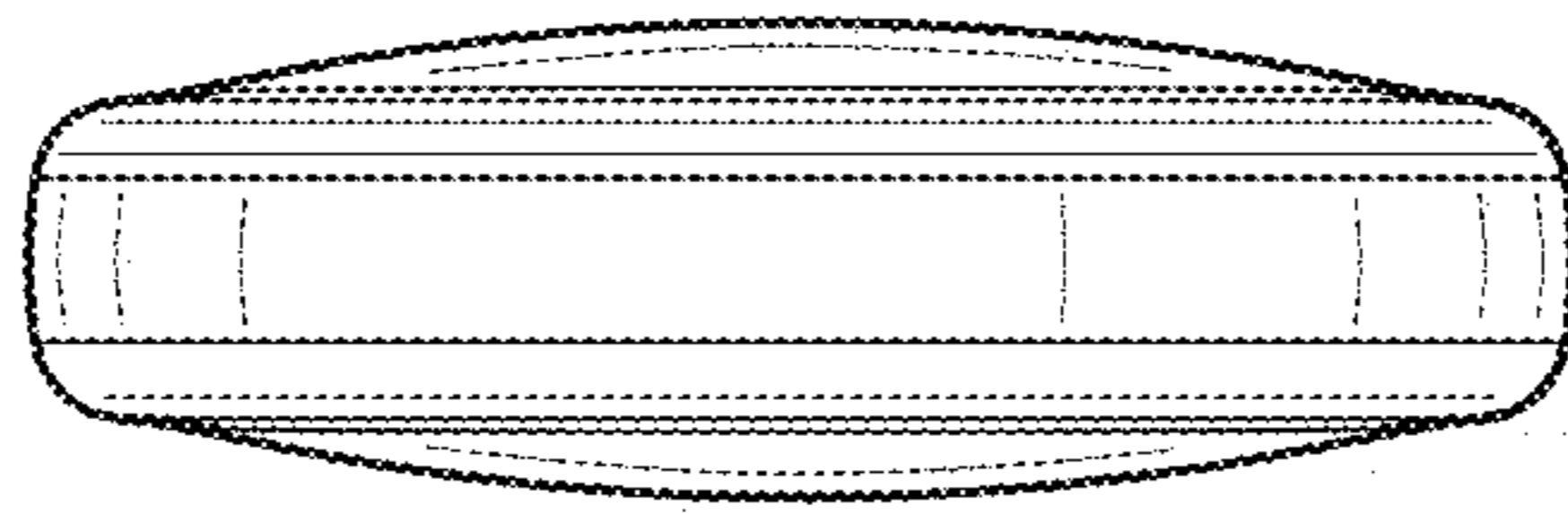


FIG. 7