



US00D960162S

(12) **United States Design Patent**
Lim et al.

(10) **Patent No.:** **US D960,162 S**
(45) **Date of Patent:** **** Aug. 9, 2022**

(54) **DATA CAPTURE DEVICE**

(71) Applicant: **ZEBRA TECHNOLOGIES CORPORATION**, Lincolnshire, IL (US)

(72) Inventors: **Sunghun Lim**, Bethpage, NY (US); **Li-Ko Wang**, New Taipei (TW); **Kevin C. Chen**, Miller Place, NY (US); **JaeHo Choi**, Whitestone, NY (US)

(73) Assignee: **Zebra Technologies Corporation**, Lincolnshire, IL (US)

(**) Term: **15 Years**

(21) Appl. No.: **29/824,859**

(22) Filed: **Jan. 27, 2022**

Related U.S. Application Data

(63) Continuation of application No. 29/780,880, filed on Apr. 27, 2021, now Pat. No. Des. 945,423, which is (Continued)

(51) **LOC (13) Cl.** **14-02**

(52) **U.S. Cl.**
USPC **D14/427**

(58) **Field of Classification Search**
USPC D14/420, 426-430, 453, 346, 341, 347, D14/412, 498, 507, 371, 344, 125-129, D14/138 R-138 G, 496, 510; D13/107, D13/184; 358/473; 235/462.43, 462.45, 235/462.47, 462.48, 462.44, 462.46, 487, 235/472.01, 472.02, 440, 486, 462.01, 235/462.15, 462.21, 412, 462.11, 462.49, 235/385, 454, 435, 439-441, 375, 444, 235/456, 459, 462.14, 462.17, 462.2, 490, 235/494, 476, 462.22, 462.32, 462.35; 16/110.1, 430, 431; 439/133, 135; 709/73; 710/73; 320/114, 115, 123; 361/679, 679.03; 382/313, 321, 318;

455/575.1, 561, 572, 575.6; 705/17, 705/14.64, 14.65, 21; 341/20; 362/103, 362/157, 158, 171-174, 183-208; 250/370.8, 370.1, 215, 216, 566; 348/E5.137, E5.143, E9.026; 345/179, 345/156; 463/36; 14/2; 73/702; 600/300, 485; D3/218; 224/267, 575; 340/5.92; D24/186, 158; D10/65, 57, D10/81, 78, 98, 70; D26/37-50, 24; 396/427

(Continued)

(56) **References Cited**

U.S. PATENT DOCUMENTS

1,089,436 A 3/1914 Peck
D299,028 S * 12/1988 Hermann D14/344
(Continued)

Primary Examiner — Susan Moon Lee

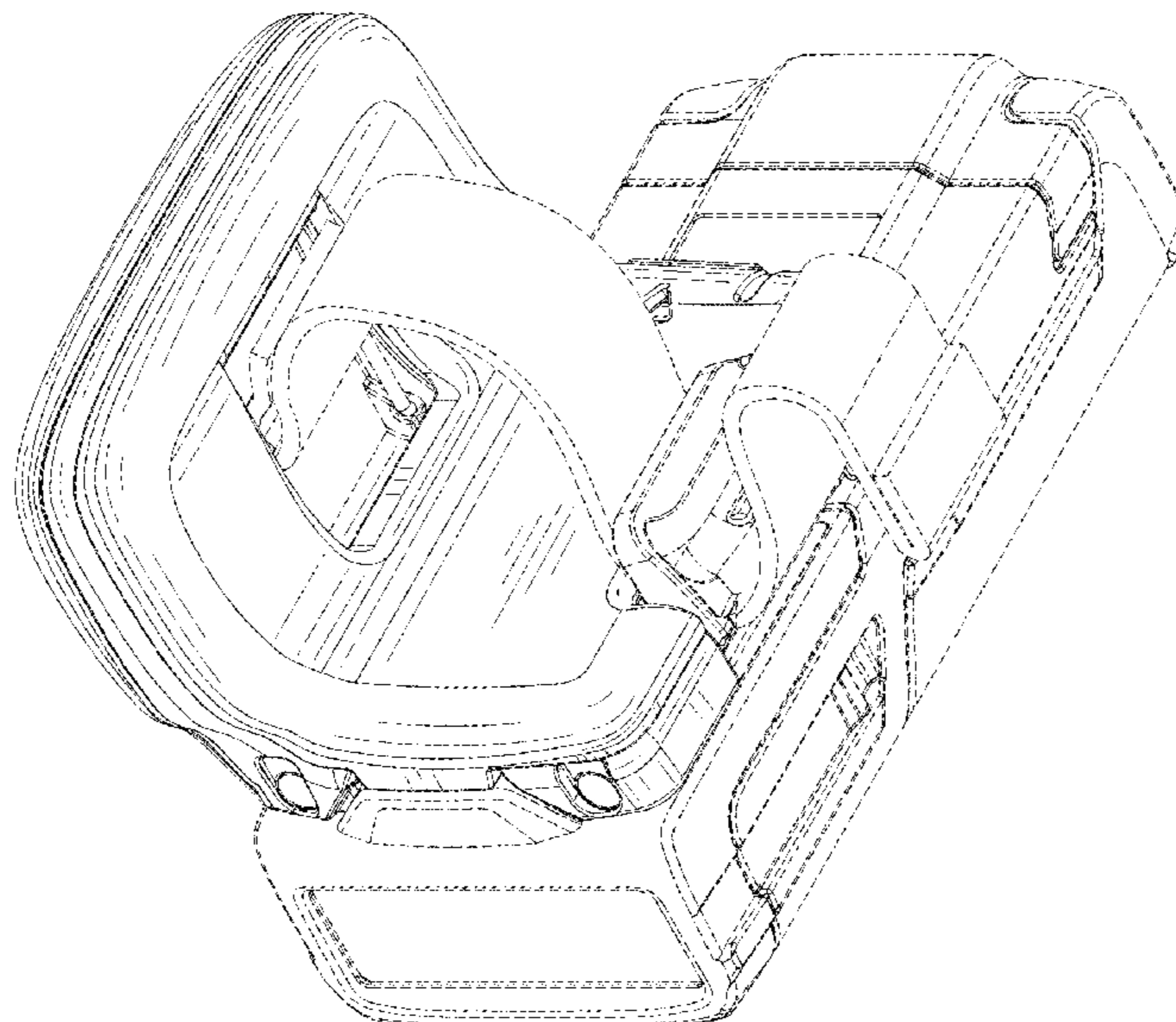
(57) **CLAIM**

We claim the ornamental design for a data capture device, as shown and described.

DESCRIPTION

FIG. 1 is a top perspective view of an example data capture device;
FIG. 2 is a bottom perspective view thereof;
FIG. 3 is a top view thereof;
FIG. 4 is a bottom view thereof;
FIG. 5 is a first side view thereof;
FIG. 6 is a second side view thereof;
FIG. 7 is a rear view thereof; and,
FIG. 8 is a front view thereof.
Broken lines of a particular embodiment are for purposes of illustrating environment and form no part of the design claimed in that embodiment.

1 Claim, 8 Drawing Sheets



Related U.S. Application Data

a continuation of application No. 29/698,755, filed on Jul. 19, 2019, now Pat. No. Des. 918,914.

(58) **Field of Classification Search**

CPC G06K 7/04; G06K 7/1404; G06K 7/1447; G06K 7/10396; G06K 7/0004; G06K 7/0017; G06K 7/002; G06K 7/10881; G06K 7/10386; G06K 7/10009; G06K 7/01; G06K 7/10891; G06K 7/10544-1099; G06K 2007/10524; G06K 2007/10534; G06F 1/163; G06F 1/1698; G06F 1/1684; G06F 2203/0331; G06Q 20/204; G06Q 20/208; G06Q 20/30; G06Q 20/322; G06Q 20/203; G06Q 20/343; A45F 5/00; A45F 2005/002; A45F 2005/008; A45F 2200/0516; A45F 2200/0525; A45F 2200/0533; A45F 2200/0508; H04N 5/74; H04N 9/3129; H04N 9/3141; H01H 2009/0221; A47F 9/046; A47F 9/047; G07G 1/0045; G04N 5/23238; G04N 5/2252; G04N 5/2251; G03B 17/02; B25H 5/00; B66F 7/28; G02B 26/10; G02B 26/106; G07F 11/002; G07F 11/02

See application file for complete search history.

(56) **References Cited**

U.S. PATENT DOCUMENTS

D299,463 S * 1/1989 Hermann D14/344
 5,191,197 A * 3/1993 Metlitsky G06K 7/10633
 235/462.44
 D335,661 S 5/1993 Shepard
 D335,662 S 5/1993 Shepard
 D342,245 S 12/1993 Krichever et al.
 5,340,972 A 8/1994 Sandor
 D377,348 S 1/1997 Karlin
 D384,048 S * 9/1997 Myers D14/411
 D391,250 S 2/1998 Swift et al.
 5,808,289 A * 9/1998 Becker G06K 7/10891
 235/472.01
 6,003,774 A 12/1999 Bard et al.
 6,015,090 A 1/2000 Swartz et al.
 D454,551 S * 3/2002 Bonadei D10/31
 D462,688 S 9/2002 Schieffers et al.
 D462,964 S 9/2002 Croley et al.
 6,634,558 B1 10/2003 Patel et al.
 D554,641 S 11/2007 Miller et al.
 D566,712 S 4/2008 Ah
 D571,241 S 6/2008 Andreasen et al.
 D585,066 S 1/2009 Morris
 D601,151 S 9/2009 Morris et al.
 7,764,488 B2 7/2010 Calvarese
 7,837,112 B2 11/2010 An

D634,435 S 3/2011 Chua et al.
 7,959,084 B2 6/2011 Wulff
 D654,597 S 2/2012 Hiramura
 8,196,787 B2 6/2012 Strandberg et al.
 8,260,384 B2 9/2012 Wulff et al.
 D673,953 S 1/2013 Li et al.
 D687,332 S 8/2013 Nishizawa et al.
 D689,862 S 9/2013 Liu
 9,679,180 B2 6/2017 Lim et al.
 D808,391 S 1/2018 Schooneveldt et al.
 D829,212 S 9/2018 Bidwell et al.
 D832,844 S 11/2018 Lim
 D833,438 S 11/2018 Lim et al.
 10,135,213 B2 11/2018 Brunnbauer et al.
 10,463,140 B2 * 11/2019 Oberpriller A45F 5/00
 D883,287 S 5/2020 Sieckowski et al.
 10,671,119 B2 6/2020 Ohtaka et al.
 10,726,222 B2 7/2020 Oberpriller et al.
 D896,224 S 9/2020 Sieckowski et al.
 10,789,436 B1 * 9/2020 Lim G07G 1/0081
 D900,102 S 10/2020 Oberpriller
 10,810,412 B2 10/2020 Khade et al.
 D918,914 S 5/2021 Lim et al.
 11,093,725 B2 * 8/2021 Mistkawi G06K 7/10891
 D944,814 S * 3/2022 Huber D14/453
 D945,423 S * 3/2022 Lim D14/427
 2002/0000470 A1 1/2002 Lanzaro et al.
 2002/0030094 A1 3/2002 Curry et al.
 2006/0289771 A1 12/2006 White
 2008/0054039 A1 3/2008 Wluff et al.
 2008/0078837 A1 4/2008 Morris et al.
 2008/0078838 A1 4/2008 Morris et al.
 2008/0097724 A1 4/2008 Morris et al.
 2008/0129532 A1 6/2008 Bellows
 2009/0247299 A1 10/2009 Conticello
 2009/0266898 A1 10/2009 Miller et al.
 2010/0176166 A1 7/2010 Siagrl et al.
 2011/0090148 A1 4/2011 Li et al.
 2011/0121075 A1 5/2011 Bellows et al.
 2011/0175705 A1 7/2011 Bellows
 2013/0114232 A1 5/2013 Tsai et al.
 2013/0248601 A1 9/2013 Liang et al.
 2014/0249944 A1 9/2014 Hicks et al.
 2015/0181351 A1 6/2015 Sarrow et al.
 2016/0063293 A1 3/2016 Sun
 2016/0161301 A1 6/2016 Guenther et al.
 2016/0180132 A1 6/2016 Lim et al.
 2018/0167549 A1 6/2018 Lim et al.
 2018/0225489 A1 8/2018 Liou et al.
 2018/0310699 A1 * 11/2018 Oberpriller A45F 5/00
 2019/0196535 A1 6/2019 Paufler
 2019/0251310 A1 8/2019 Oberpriller et al.
 2020/0097705 A1 3/2020 Khade et al.
 2020/0272801 A1 8/2020 Mistkawi et al.
 2020/0305522 A1 10/2020 Ruhland et al.
 2021/0027031 A1 1/2021 Lim et al.
 2021/0110126 A1 4/2021 Miller et al.
 2021/0133412 A1 5/2021 Lee
 2021/0153631 A1 * 5/2021 Choi G06K 7/1413
 2022/0083137 A1 * 3/2022 Fountain G06F 9/451

* cited by examiner

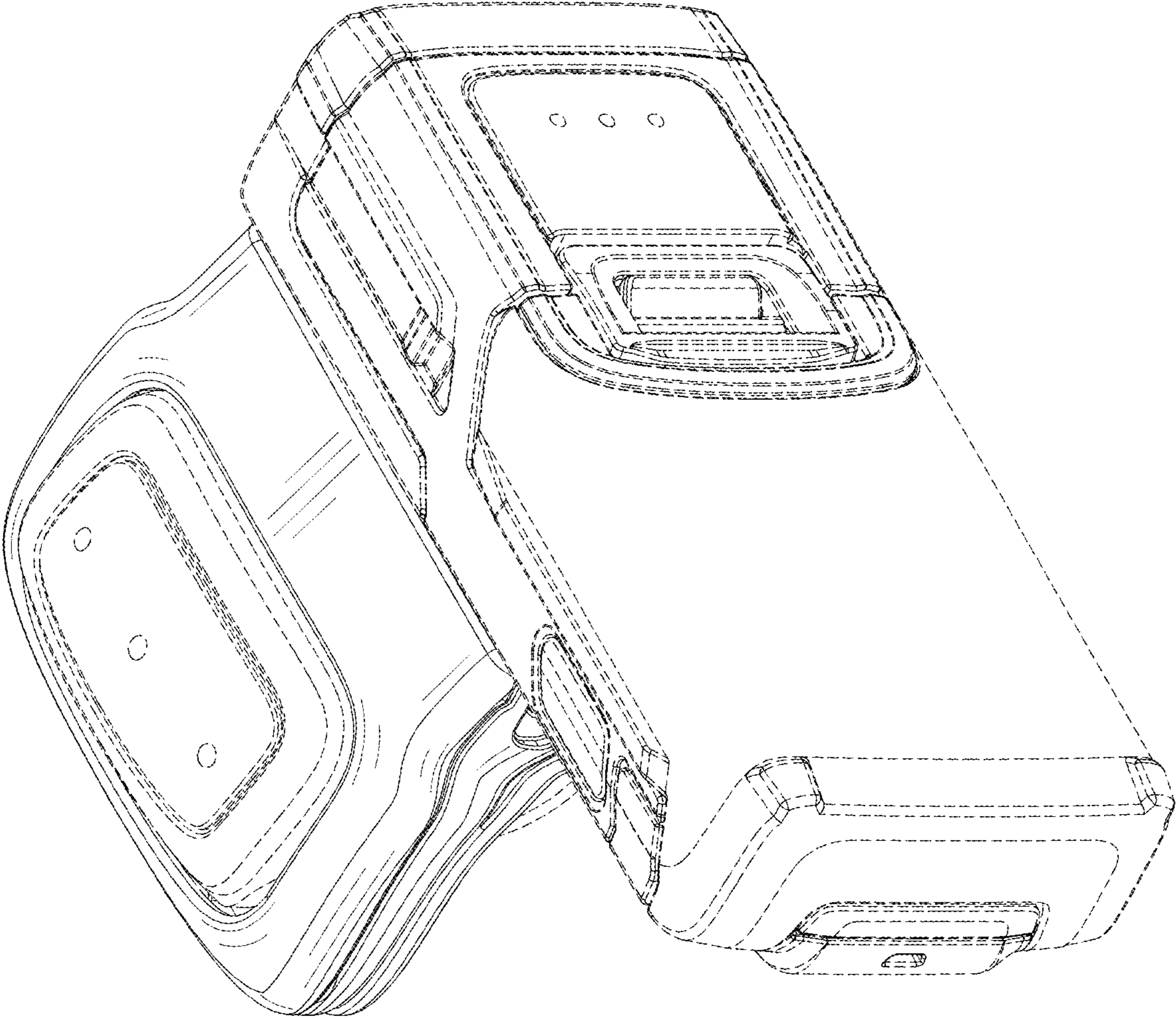


FIG. 1

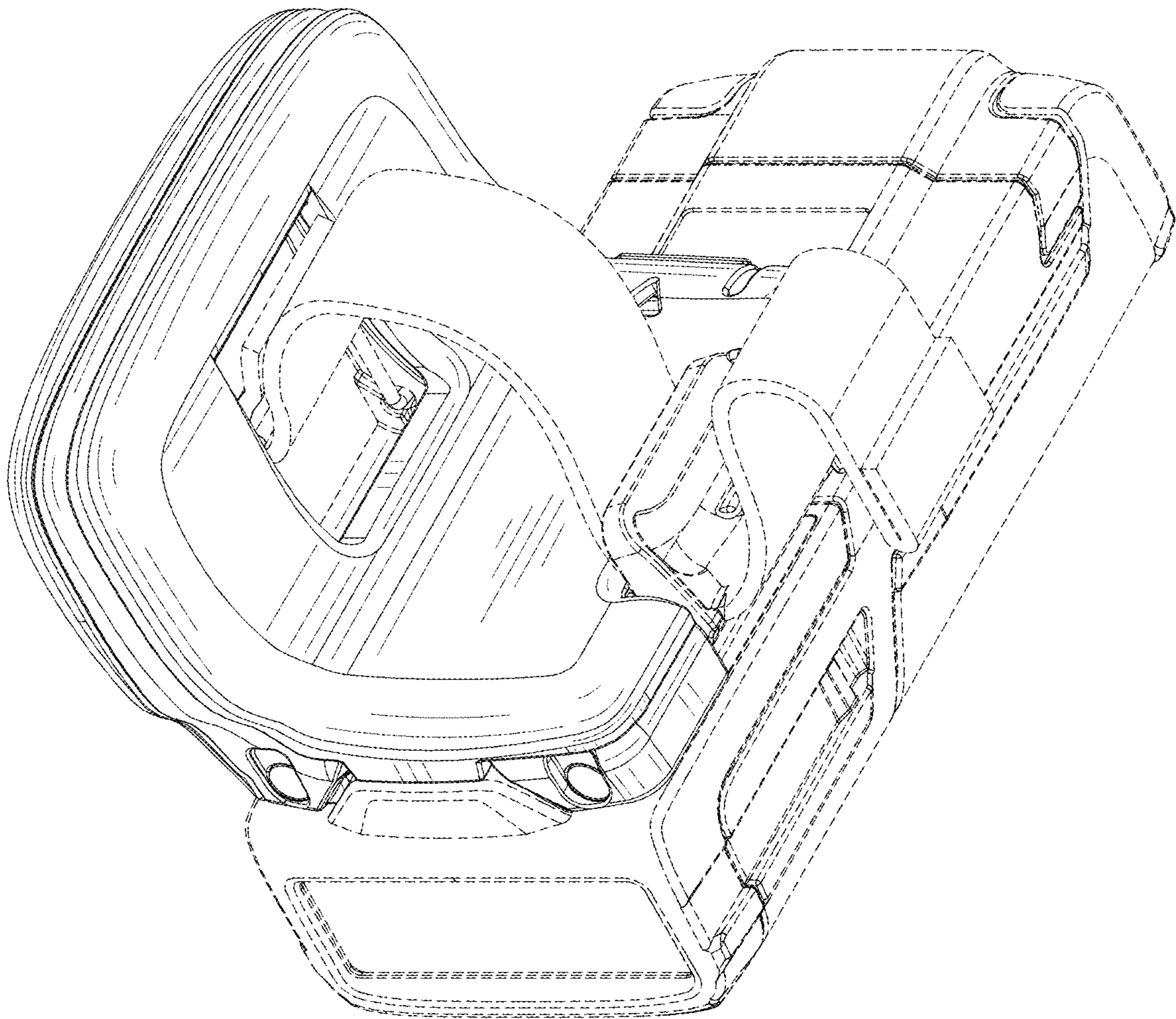


FIG. 2

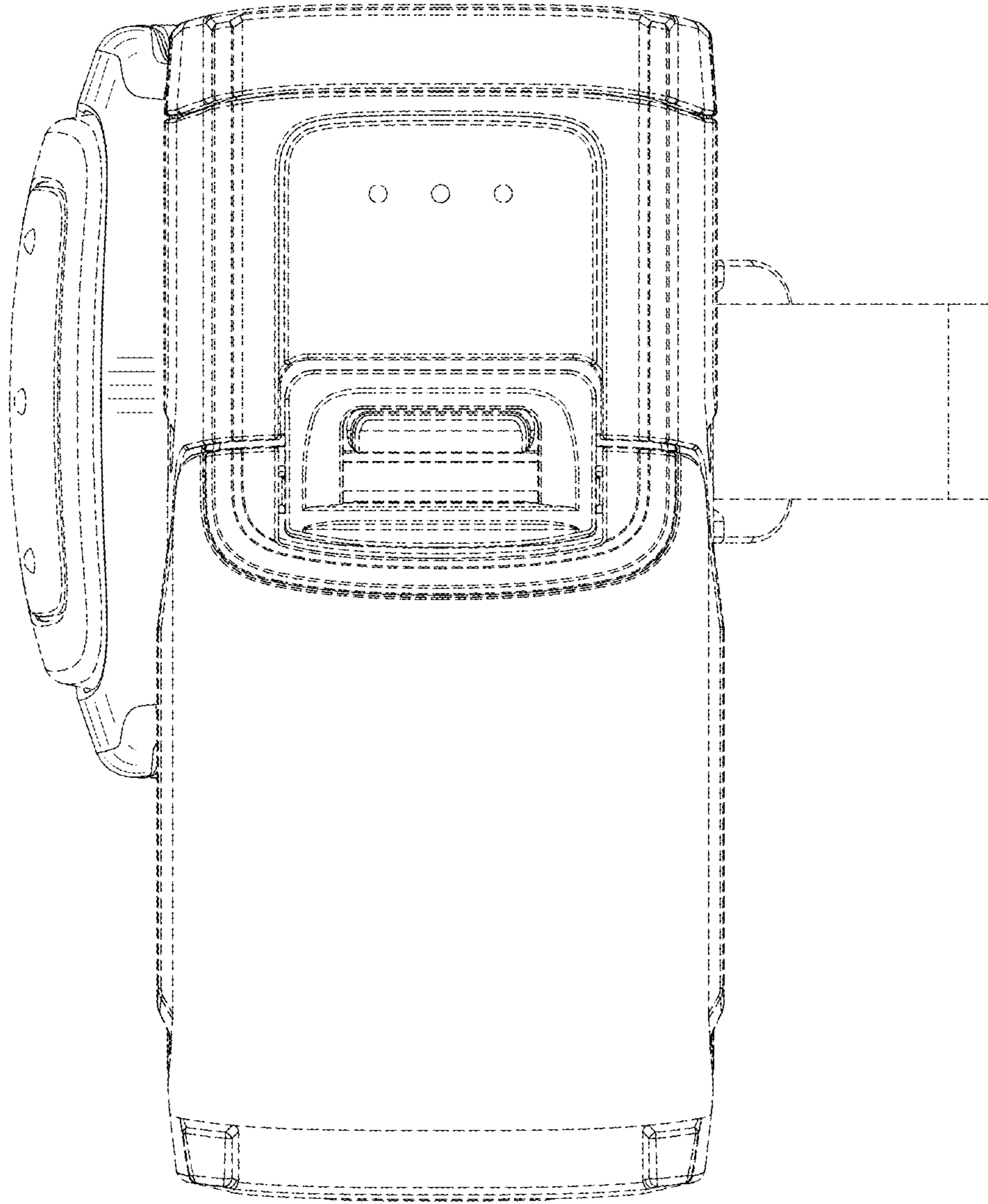


FIG. 3

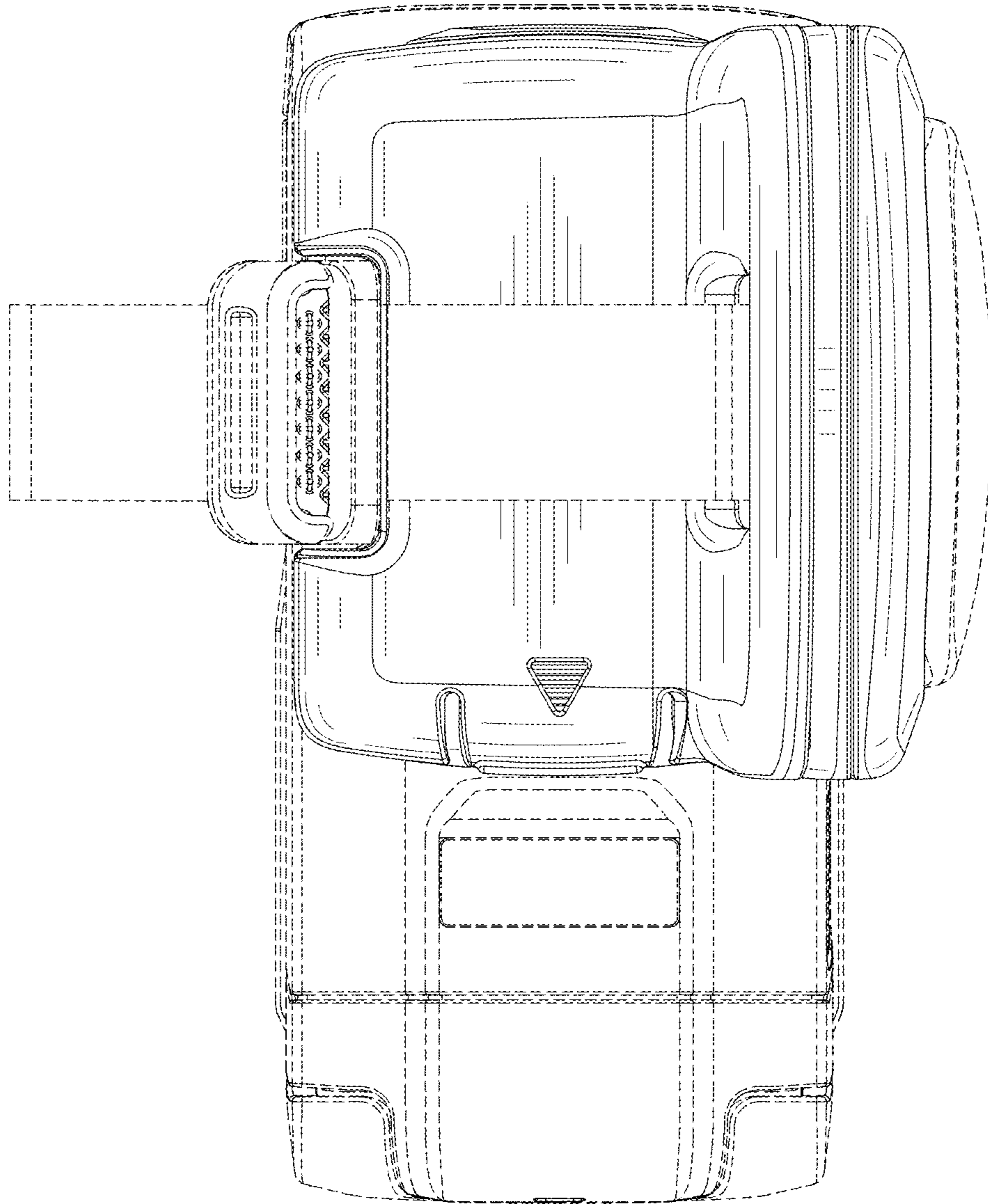


FIG. 4

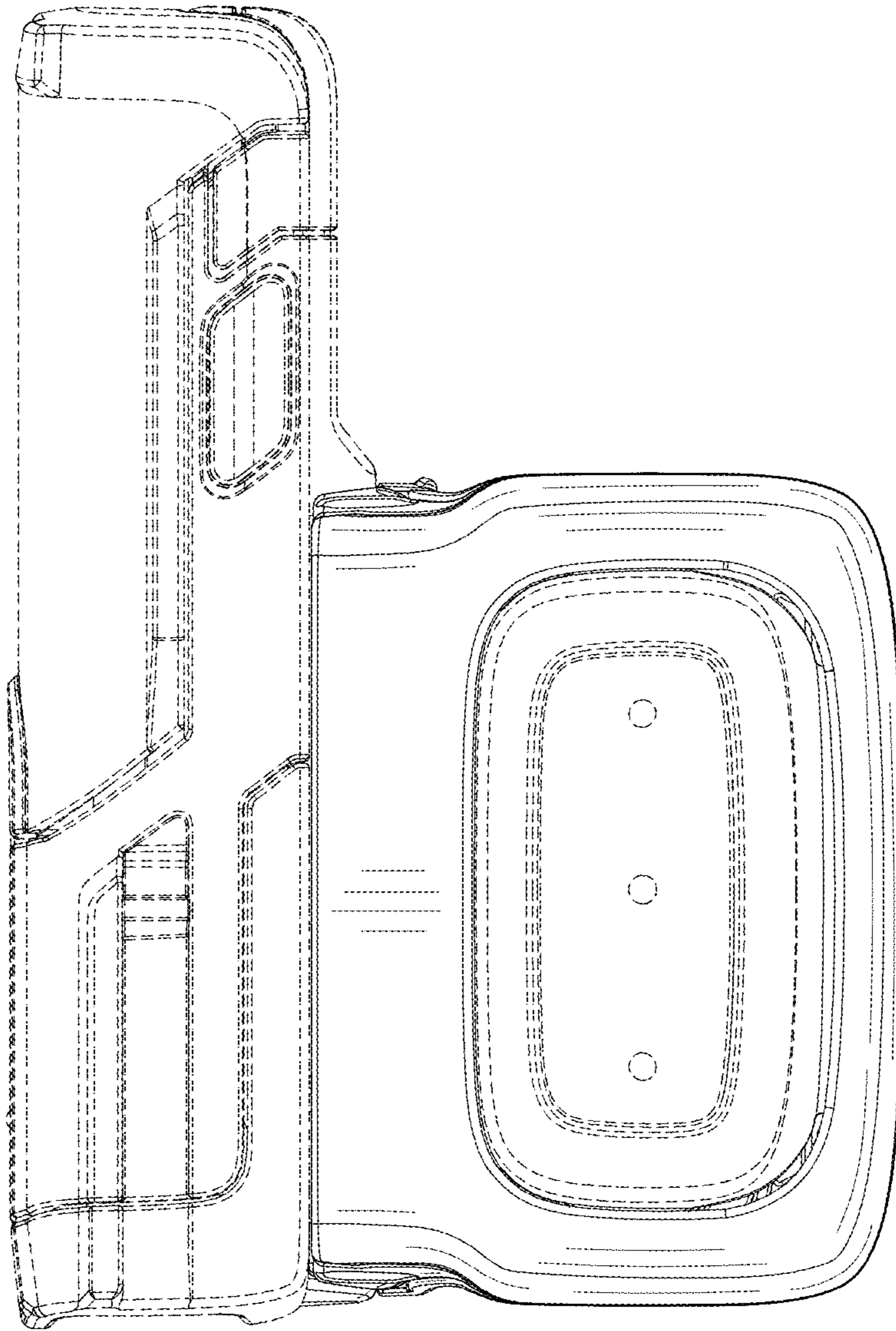


FIG. 5

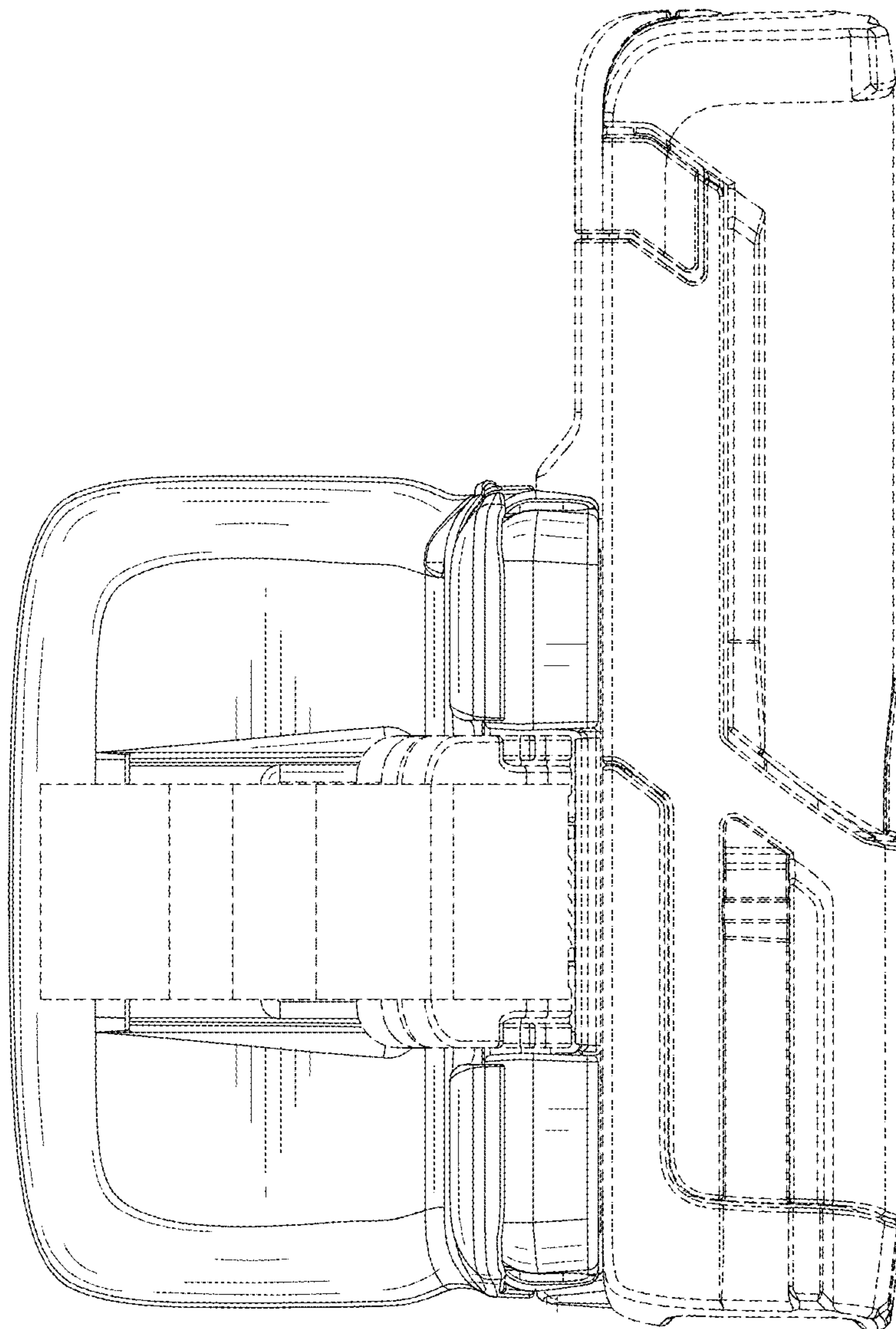


FIG. 6

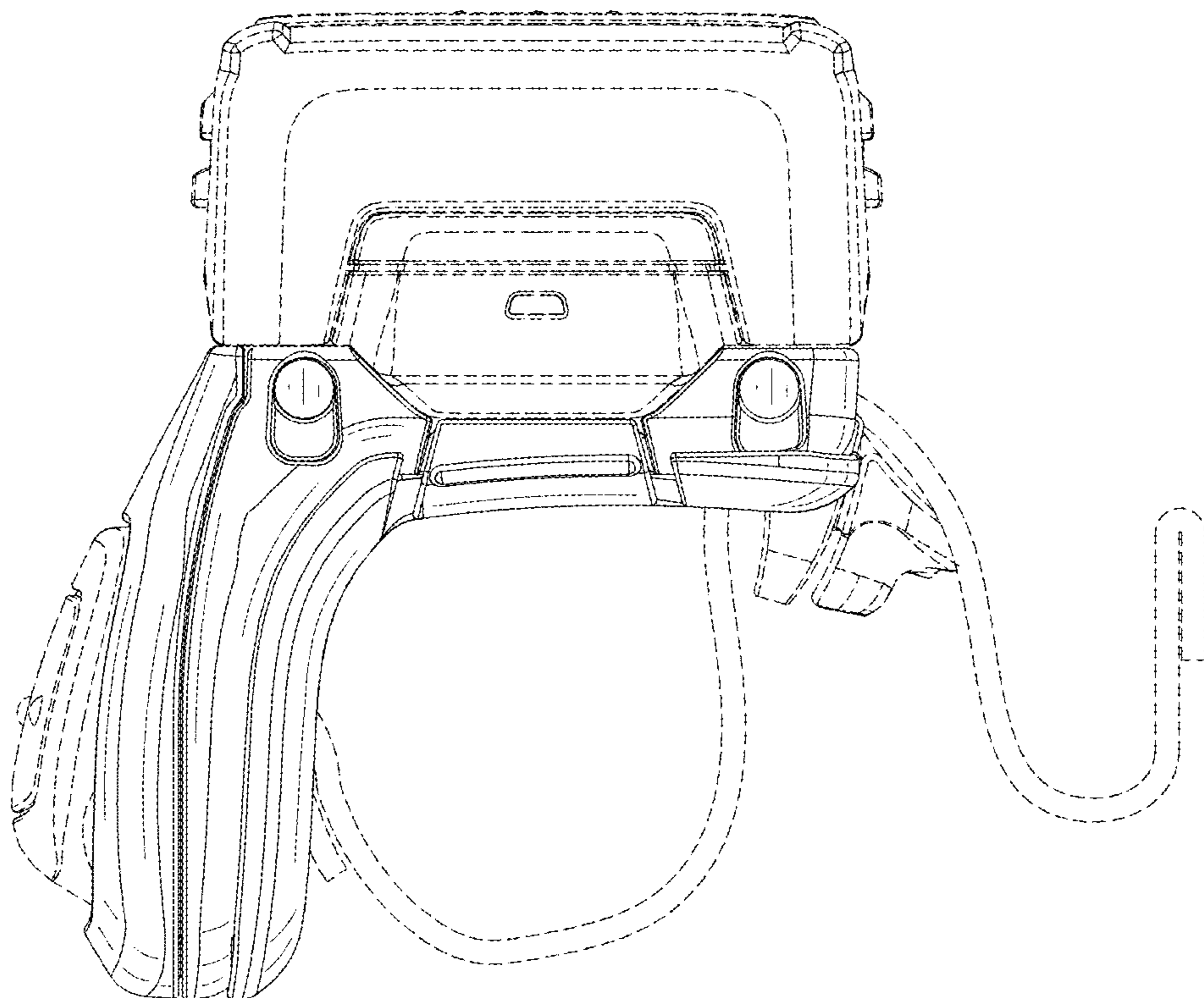


FIG. 7

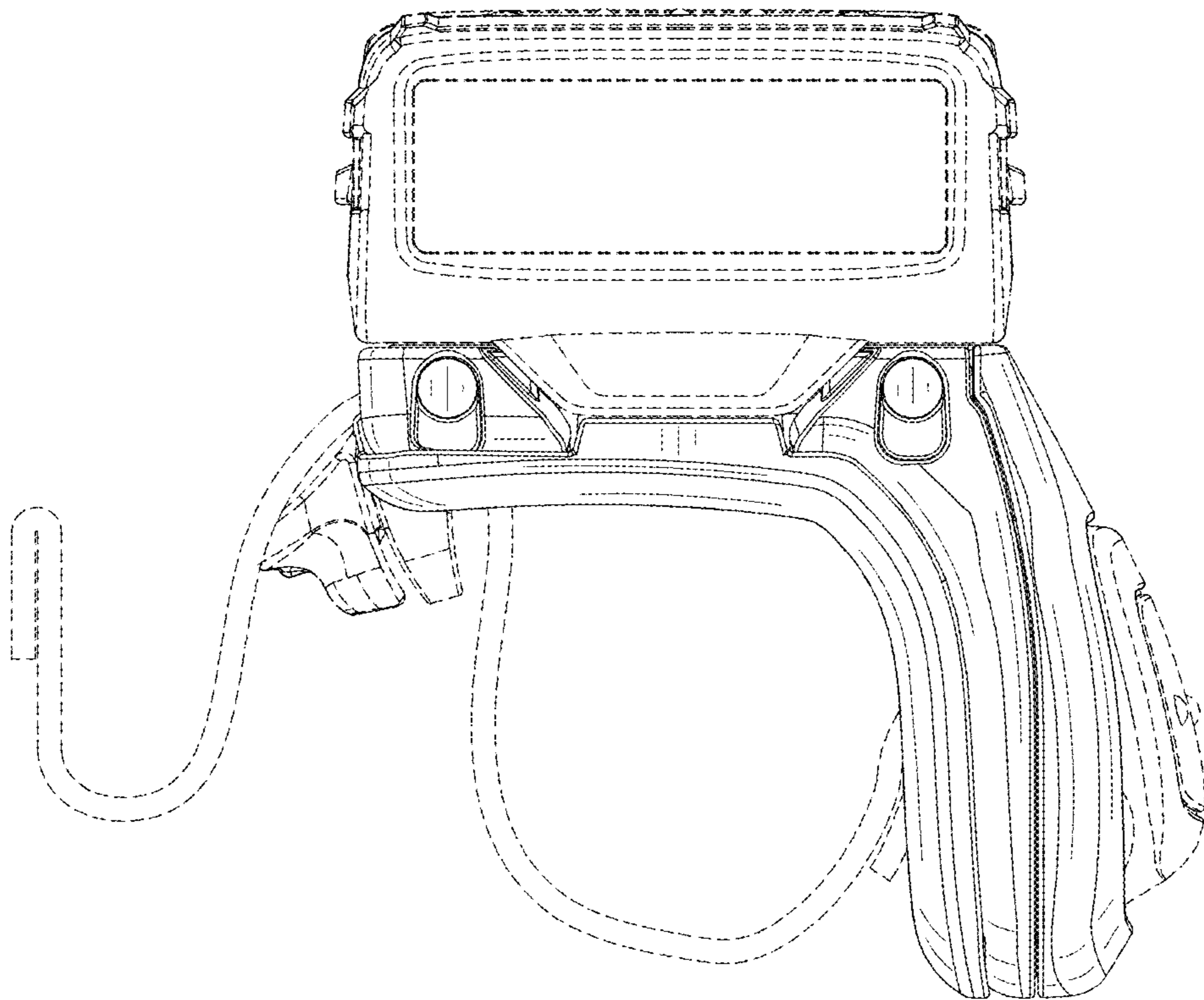


FIG. 8