

US00D960161S

(12) **United States Design Patent**
Zhang et al.

(10) **Patent No.:** **US D960,161 S**
(45) **Date of Patent:** **** Aug. 9, 2022**

(54) **SMART SCANNING DEVICE**

(71) Applicant: **ADVANCED NEW TECHNOLOGIES CO., LTD.**, Grand Cayman (KY)

(72) Inventors: **Mingwei Zhang**, Hangzhou (CN); **Fenghuan Gu**, Hangzhou (CN)

(73) Assignee: **ADVANCED NEW TECHNOLOGIES CO., LTD.**, George Town (KY)

(**) Term: **15 Years**

(21) Appl. No.: **29/715,006**

(22) Filed: **Nov. 27, 2019**

(30) **Foreign Application Priority Data**

May 30, 2019 (CN) 201930274801.0

(51) **LOC (13) Cl.** **14-02**

(52) **U.S. Cl.**
USPC **D14/426**

(58) **Field of Classification Search**

USPC D14/420, 426-430, 453, 346, 341, 347, D14/412, 138; D13/107, 184; 358/473; 235/462.43, 462.45, 462.47, 462.48, 235/462.44, 462.46, 487, 472.01, 472.02, 235/145 A, 145 R; D10/78, 57, 2, 46, 52, D10/53, 81; 324/426; D3/273; 710/73; D18/7; 361/679, 728, 679.56; 382/313, 382/321; 455/575.1, 561, 572, 41.2; 345/156, 168, 169, 172, 173, 87; 705/17, 705/18, 22-25; D16/206, 218, 202, 219, D16/208, 209; 356/328; 396/419, 423, 396/424; 374/130, 100, 121, 102, 141, 374/124, 170, 104, 103; 702/130, 135; 348/164, 165, 149, 333.01, 333.11, 33, 348/82, 347, 373, 374, 375; 250/330, 250/351, 353, 332, 334, 358.1, 316.1, 250/338.1; 600/549, 474, 413, 473, 200, 600/184

CPC G06F 1/626; G06F 1/1626; G06F 1/1656; G06F 1/1632; G06F 1/1684; G06F 1/1635; G06F 8/63; G06F 17/30091; G06F 9/4401; G06K 7/10881; G06K 7/1098; G06K 7/10722; G06K 7/1404; G06K 7/0004; G06K 7/10633; G06K 7/10851; G06K 7/1091; G06K 7/1092; G06K 7/1093; G06K 7/10; G06K 7/109; G06K 7/1417; G06K 9/228; G06K 17/0022; G06K 17/00; G06K
(Continued)

(56) **References Cited**

U.S. PATENT DOCUMENTS

D210,668 S * 4/1968 Janda D14/248
D266,561 S * 10/1982 Bee D14/248
(Continued)

Primary Examiner — Susan Moon Lee

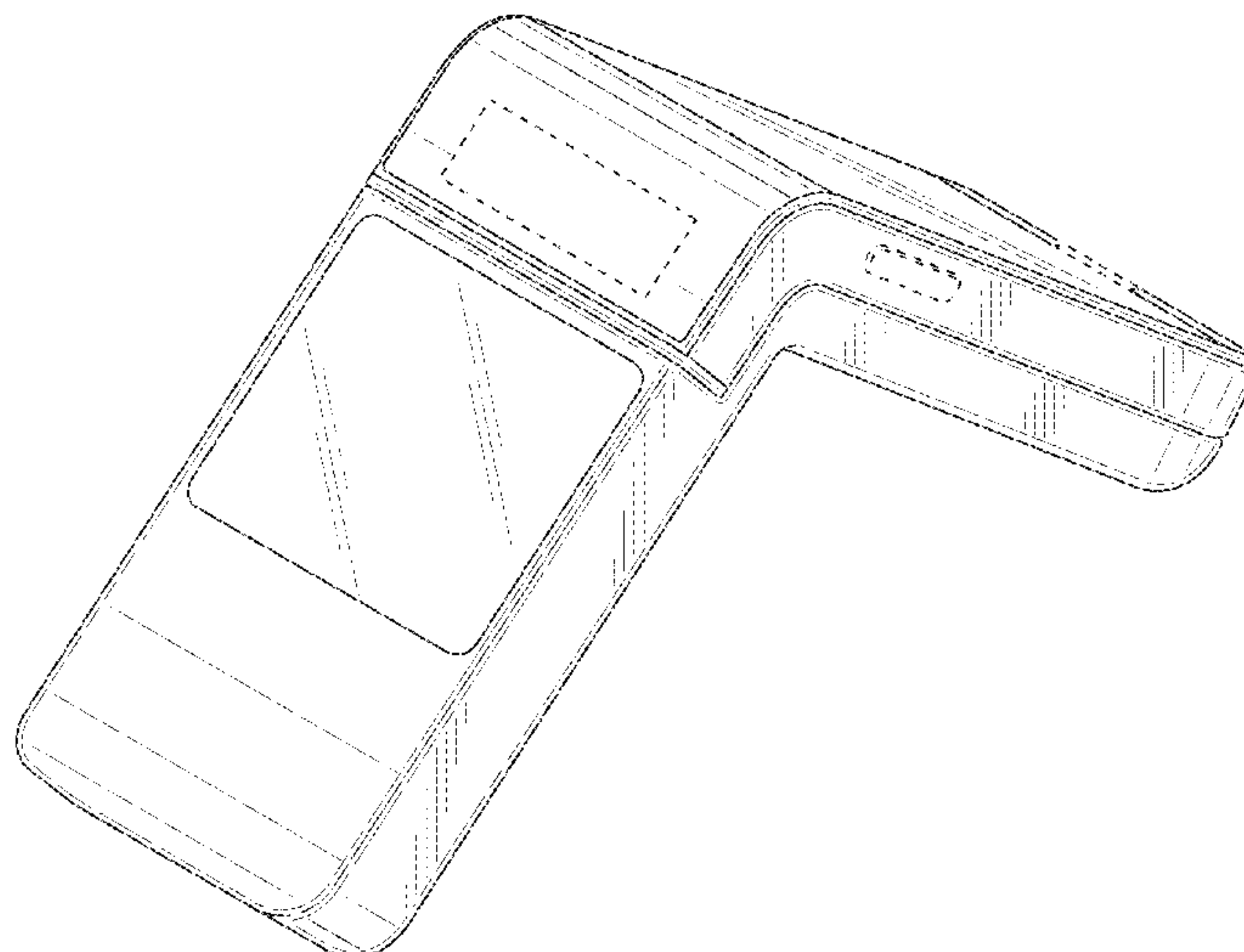
(57) **CLAIM**

The ornamental design for a smart scanning device, as shown and described.

DESCRIPTION

FIG. 1 is a front view showing an embodiment of the smart scanning device;
FIG. 2 is a rear view thereof;
FIG. 3 is a left-side view thereof;
FIG. 4 is a right-side view thereof;
FIG. 5 is a top view thereof;
FIG. 6 is a bottom view thereof;
FIG. 7 is a perspective view thereof; and,
FIG. 8 is an exploded view thereof.
The broken lines in FIGS. 1-8 illustrate portions of the smart scanning device that are not part of the claimed design. Any shading and cross-hatching are not features of the design but are utilized to illustrate the surface contours of the smart scanning device.

1 Claim, 8 Drawing Sheets



US D960,161 S

(58) Field of Classification Search

CPC 2207/1011; G06K 2207/1013; G06K
 2207/1016; G06K 2207/1018; G06K
 2017/0051; G06K 2017/0067; G06K
 2007/10524; G07G 1/0081; G07G 1/009;
 G06Q 20/20; G06Q 20/201; G06Q
 20/202; G06Q 20/203; G06Q 20/30;
 G06Q 20/32; G06Q 20/322; G06Q
 20/4014; G06Q 10/087; H04N 1/00127;
 H04N 1/00135; H04N 1/00326; H04N
 1/00334; H04N 1/00307; H04N 1/107;
 H04N 2201/0084; H04N 2101/00; H04N
 5/332; H04N 5/33; H04N 5/2251; H04N
 5/2258; H04N 5/2256; H04N 5/23293;
 H04N 5/23203; H04N 5/2254; H04N
 5/2252; H04N 5/2253; H04N 5/23229;
 H04N 5/3651; H04M 1/0249; H04M
 1/0262; H04M 1/0266; H04M 1/18;
 H04M 1/23; H04M 1/236; H04B 1/3827;
 H04B 1/3833; H04B 1/3877; H04B
 1/3883; H04B 1/3888; H04B 2001/3894;
 H01M 2/1066; G01J 5/025; G01J 5/0265;
 G01J 5/026; G01J 5/027; G01J 5/02;
 G01J 5/06; G01J 5/08; G01J 5/04; G01J
 5/12; G01J 5/00; G01J 5/18; G01J
 5/0834; G01J 5/522; G01J 5/0806; G01J
 5/028; G01J 2005/0077; G01J 2005/0081;
 G02B 7/08; G02B 7/04; G01K 1/02;
 G01K 3/04; G03B 17/18; G03B 3/02;
 G03B 3/04; G03B 3/10

See application file for complete search history.

(56) References Cited

U.S. PATENT DOCUMENTS

D271,393 S * 11/1983 Carr D14/248
 D282,659 S * 2/1986 Abrams D14/248
 D289,291 S * 4/1987 Kapper D14/389
 4,656,345 A * 4/1987 Kurimoto G06K 7/10881
 235/455
 D293,795 S * 1/1988 Yamamoto D14/428
 4,736,411 A * 4/1988 Chan H04M 1/02
 379/434
 D297,732 S * 9/1988 Chan D14/149
 D299,028 S * 12/1988 Hermann D14/344
 D299,135 S * 12/1988 Rhodes D14/248
 4,818,847 A * 4/1989 Hara G06K 7/12
 235/455
 4,818,856 A * 4/1989 Matsushima G06K 7/10881
 235/462.11
 D307,894 S * 5/1990 Siemiatkowski D14/426
 4,930,848 A * 6/1990 Knowles G06K 7/10881
 235/462.45
 D315,901 S * 4/1991 Knowles D14/428
 D319,436 S * 8/1991 Matsushita D14/428
 D320,981 S * 10/1991 Conversano D14/431
 5,132,523 A * 7/1992 Bassett G06K 7/10871
 235/455
 5,155,346 A * 10/1992 Doing G06K 7/10871
 235/462.43
 D331,576 S * 12/1992 Yamanaka D14/428
 5,184,005 A * 2/1993 Ukai G06K 7/10881
 235/462.27
 D340,042 S * 10/1993 Copper D14/388

5,256,866 A * 10/1993 Conversano G06K 7/10881
 235/462.49
 D341,584 S * 11/1993 Shepard D14/428
 D342,064 S * 12/1993 Harden D14/426
 D352,704 S * 11/1994 Etoh D14/426
 D352,935 S * 11/1994 Etoh D14/428
 D353,134 S * 12/1994 Etoh D14/426
 5,546,471 A * 8/1996 Merjanian G07C 9/37
 382/126
 D374,440 S * 10/1996 Kanno D14/428
 5,844,228 A * 12/1998 Nukui G06K 7/1092
 200/332.2
 D406,126 S * 2/1999 Massieu D14/428
 5,883,375 A * 3/1999 Knowles G06K 17/0022
 235/462.43
 D408,383 S * 4/1999 Carter D14/374
 5,929,425 A * 7/1999 Kanno G06K 17/0022
 235/462.46
 6,338,434 B1 * 1/2002 Wilz, Sr. G06K 7/10851
 235/472.01
 6,761,317 B1 * 7/2004 Knowles G06K 7/10603
 235/487
 D518,482 S * 4/2006 Hodges D14/426
 D535,993 S * 1/2007 Ueda D14/480.7
 7,161,470 B2 * 1/2007 Berquist G06K 17/00
 340/10.5
 D583,822 S * 12/2008 Matsumoto D14/453
 D589,531 S * 3/2009 Fullerton D14/496
 D601,052 S * 9/2009 Friedli D10/108
 D613,296 S * 4/2010 Hattori D14/453
 D616,445 S * 5/2010 Wong D14/402
 D618,355 S * 6/2010 Delaey D24/185
 D626,550 S * 11/2010 Julien D14/341
 D626,551 S * 11/2010 Julien D14/341
 D642,577 S * 8/2011 Kim D14/410
 D669,119 S * 10/2012 Sato D18/50
 8,550,915 B2 * 10/2013 Ashida A63F 13/02
 345/161
 8,591,333 B2 * 11/2013 Ashida A63F 13/98
 345/161
 D710,362 S * 8/2014 Kaminsky D14/426
 D717,785 S * 11/2014 Winston D14/307
 D719,955 S * 12/2014 Hsu D14/428
 D734,308 S * 7/2015 Jeon D14/248
 D734,309 S * 7/2015 Moon D14/248
 D762,766 S * 8/2016 Bedier D18/4.4
 9,444,145 B2 * 9/2016 Chan H01Q 9/285
 D821,399 S * 6/2018 Jones D14/402
 D822,026 S * 7/2018 Jones D14/407
 D851,653 S * 6/2019 Huang D14/428
 D880,580 S * 4/2020 Wang D18/4.6
 D883,286 S * 5/2020 Sieckowski D14/428
 D895,622 S * 9/2020 Sieckowski D14/428
 D897,335 S * 9/2020 Kraus D14/299
 10,789,437 B1 * 9/2020 Zhang G06K 7/109
 10,970,505 B2 * 4/2021 Zhang G06K 7/109
 D946,649 S * 3/2022 Wang D18/4.6
 2002/0109010 A1 * 8/2002 Wilz G06K 7/10851
 235/462.45
 2003/0222150 A1 * 12/2003 Sato G06K 7/1098
 235/472.02
 2008/0015017 A1 * 1/2008 Ashida A63F 13/98
 463/37
 2009/0312053 A1 * 12/2009 An G06K 7/10386
 455/556.2
 2015/0063795 A1 * 3/2015 Orton F16M 13/00
 396/425
 2015/0255873 A1 * 9/2015 Chan H01Q 9/285
 29/600
 2018/0173911 A1 * 6/2018 Murofushi G06K 19/0772
 2019/0278958 A1 * 9/2019 Ioki G06K 7/10009

* cited by examiner

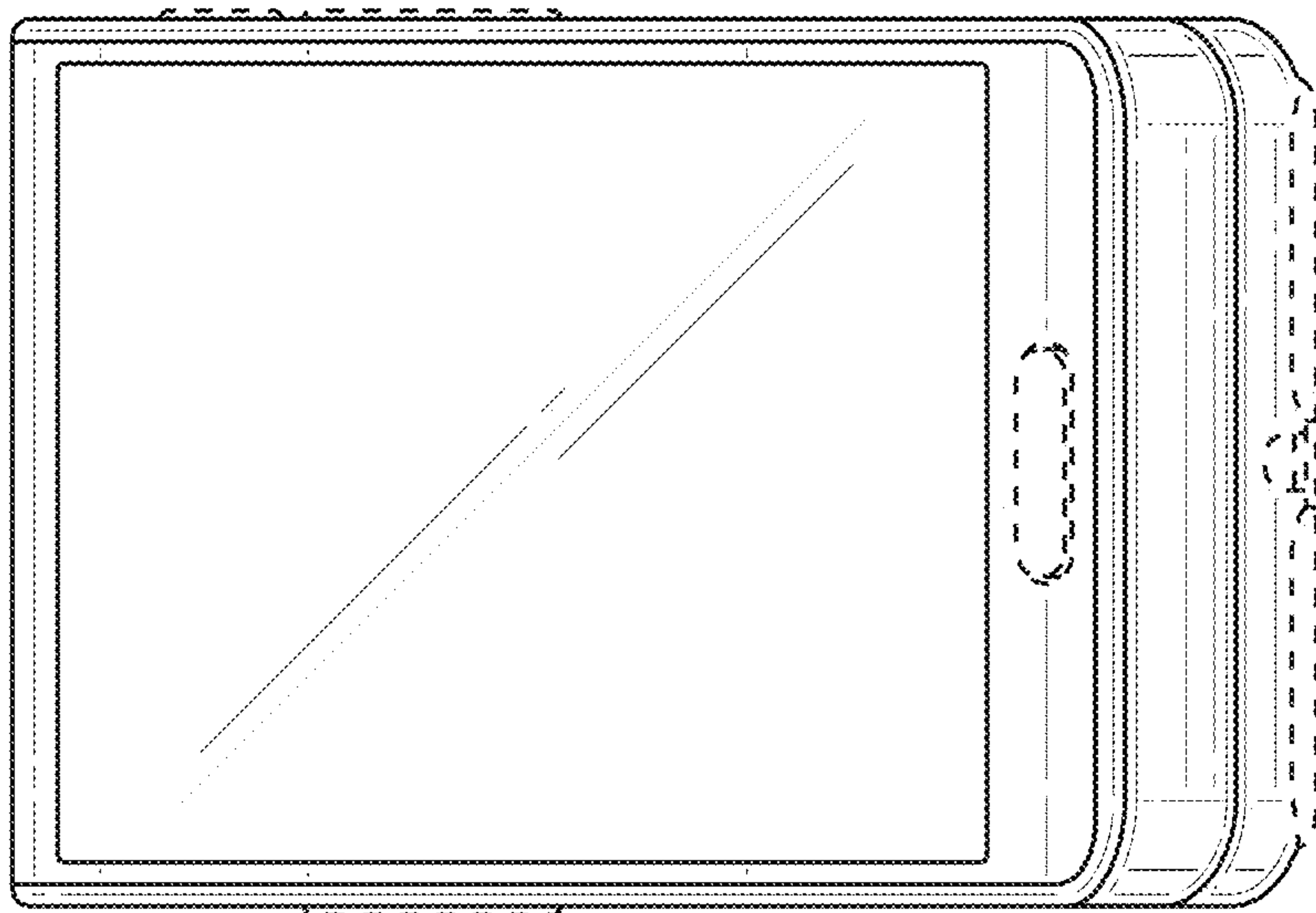


FIG. 1

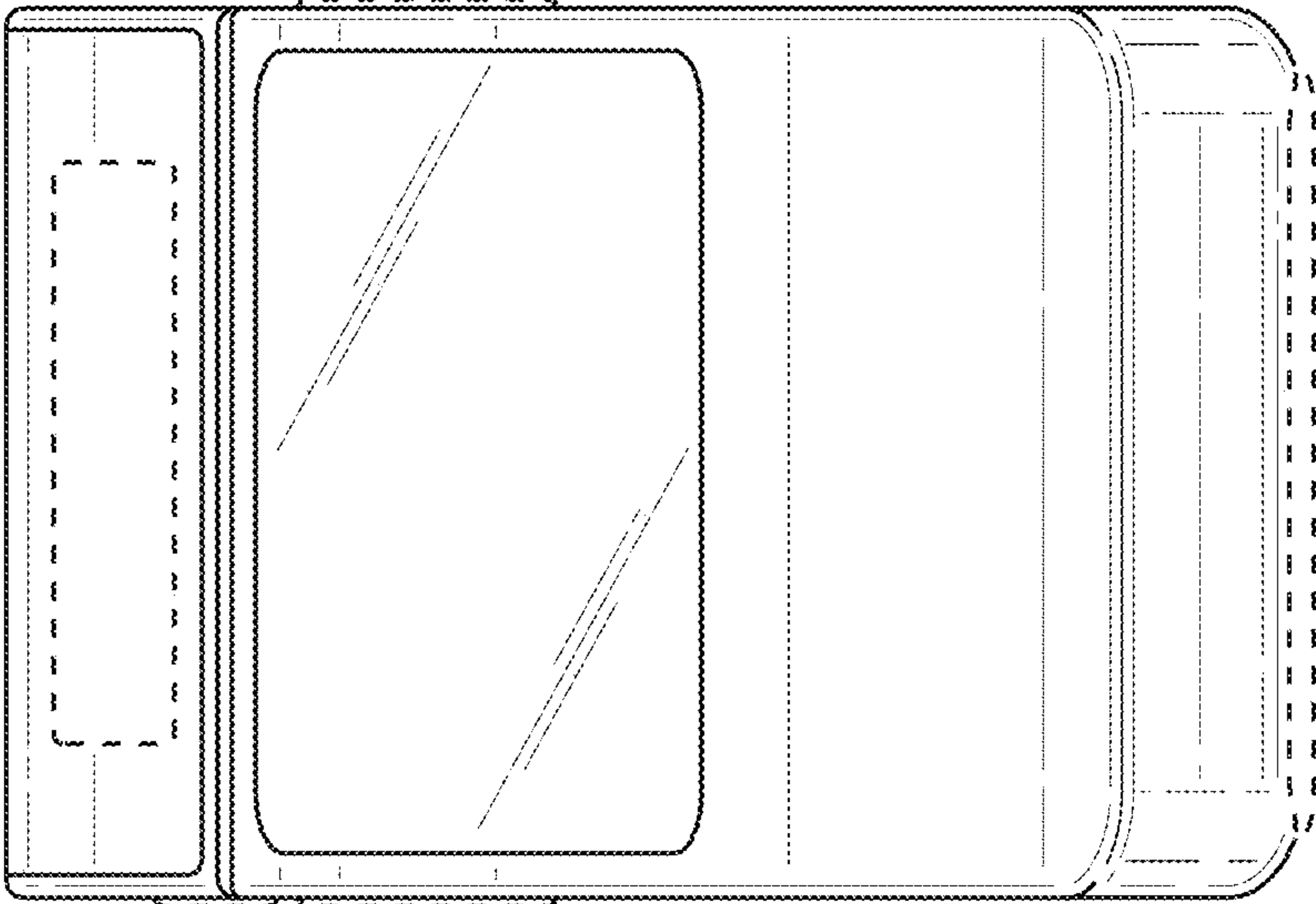


FIG. 2

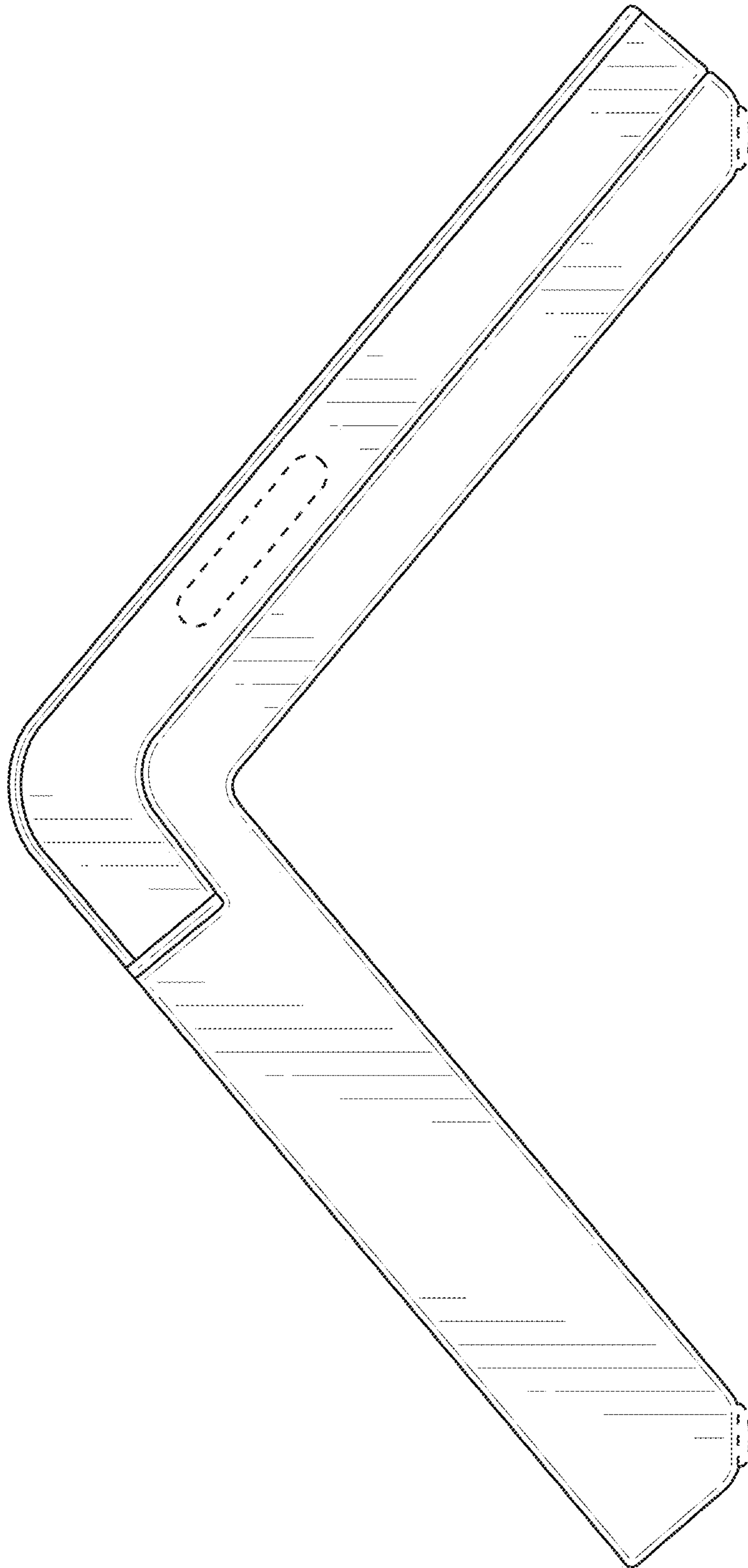


FIG. 3

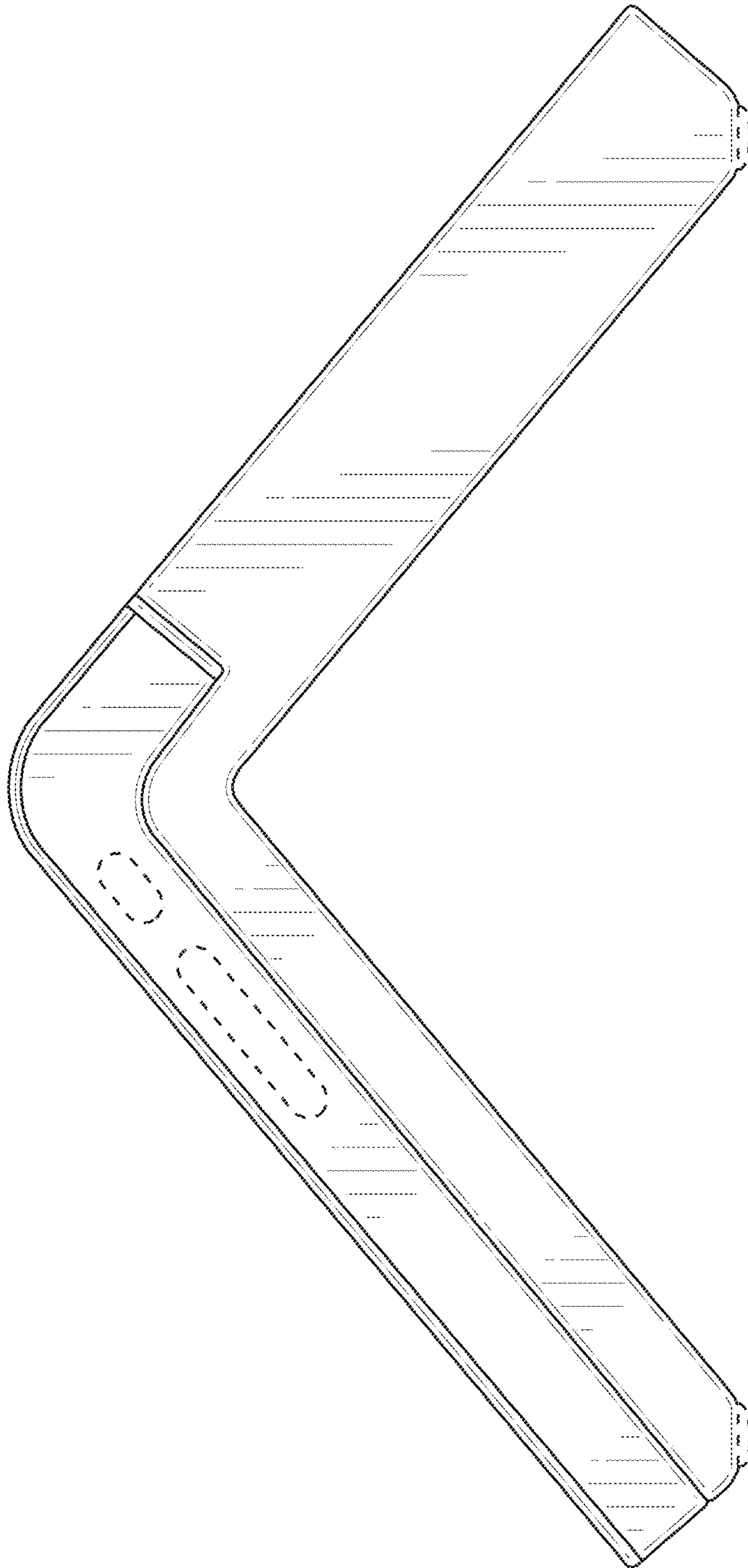


FIG. 4

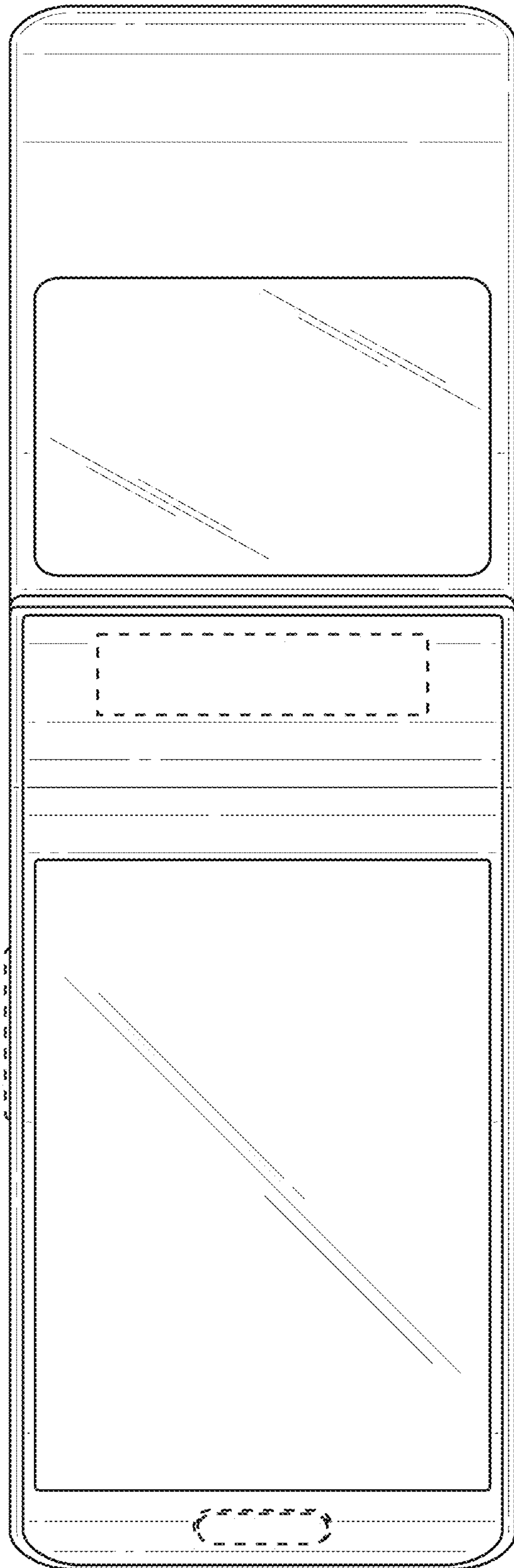


FIG. 5

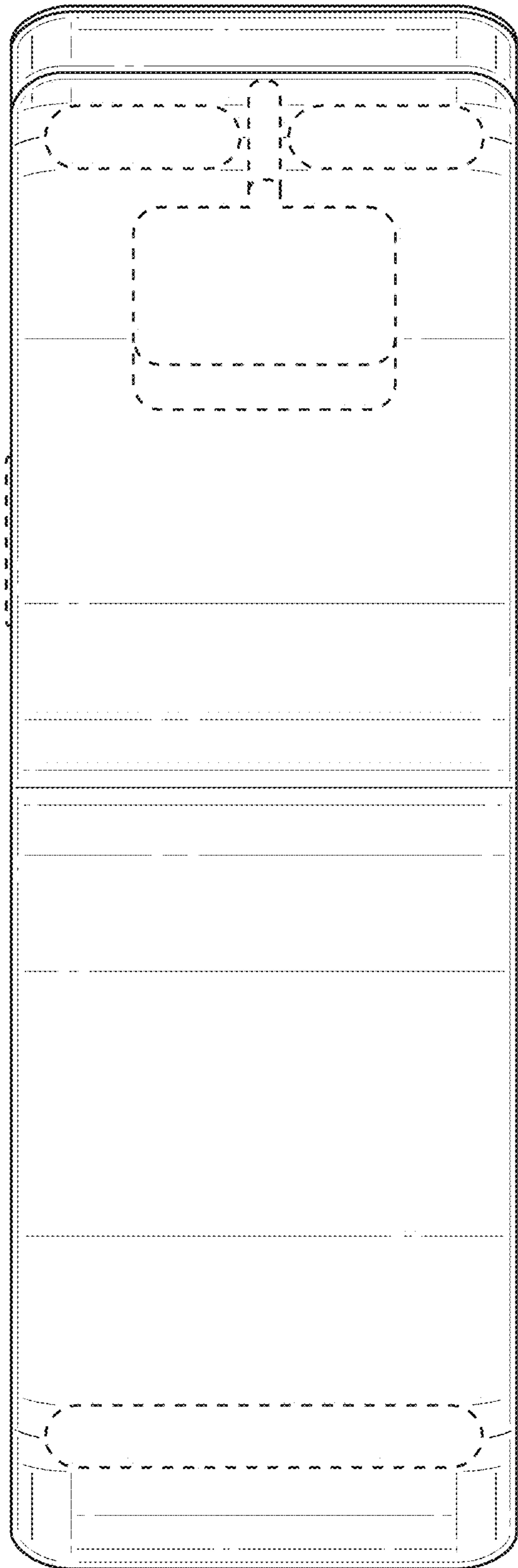


FIG. 6

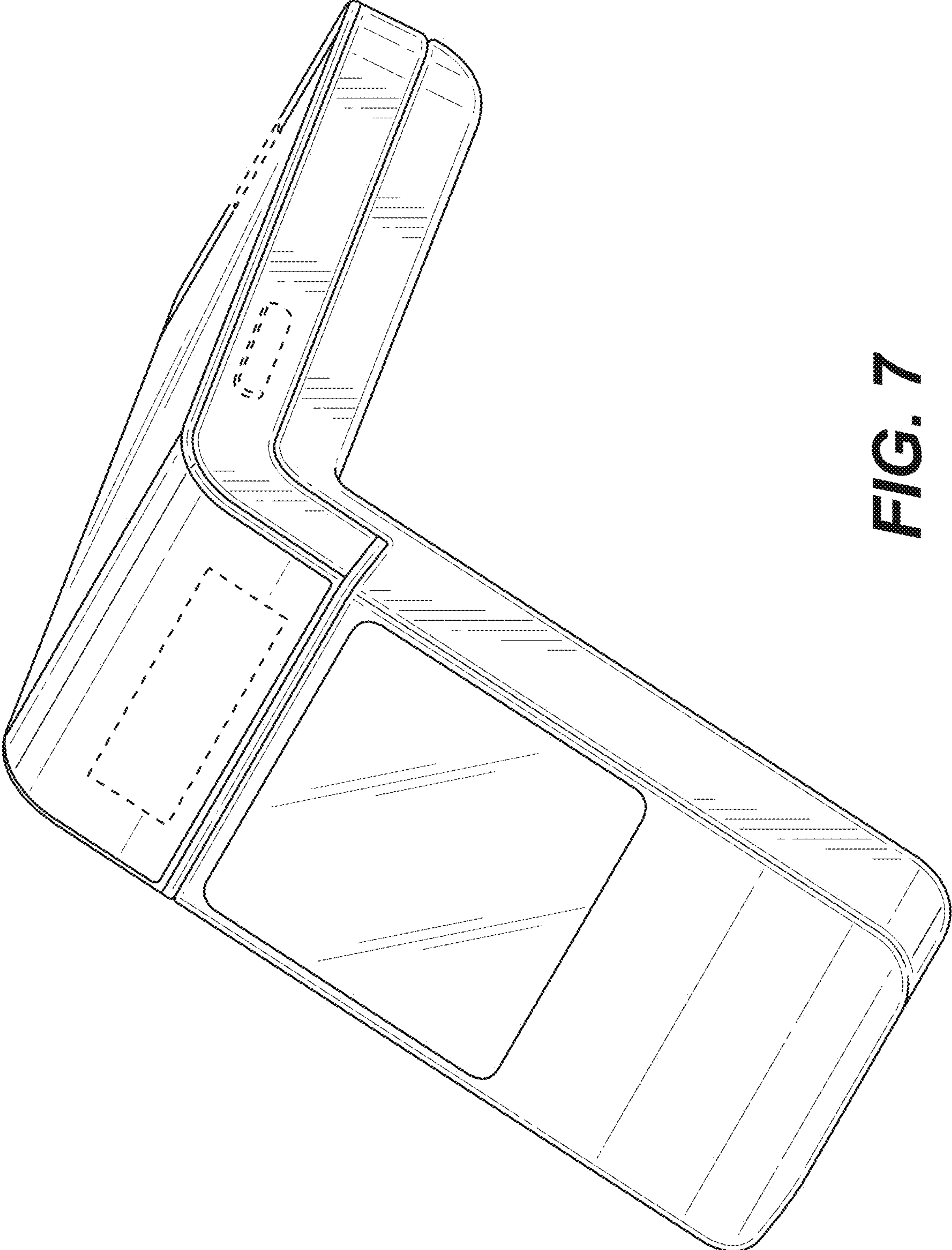


FIG. 7

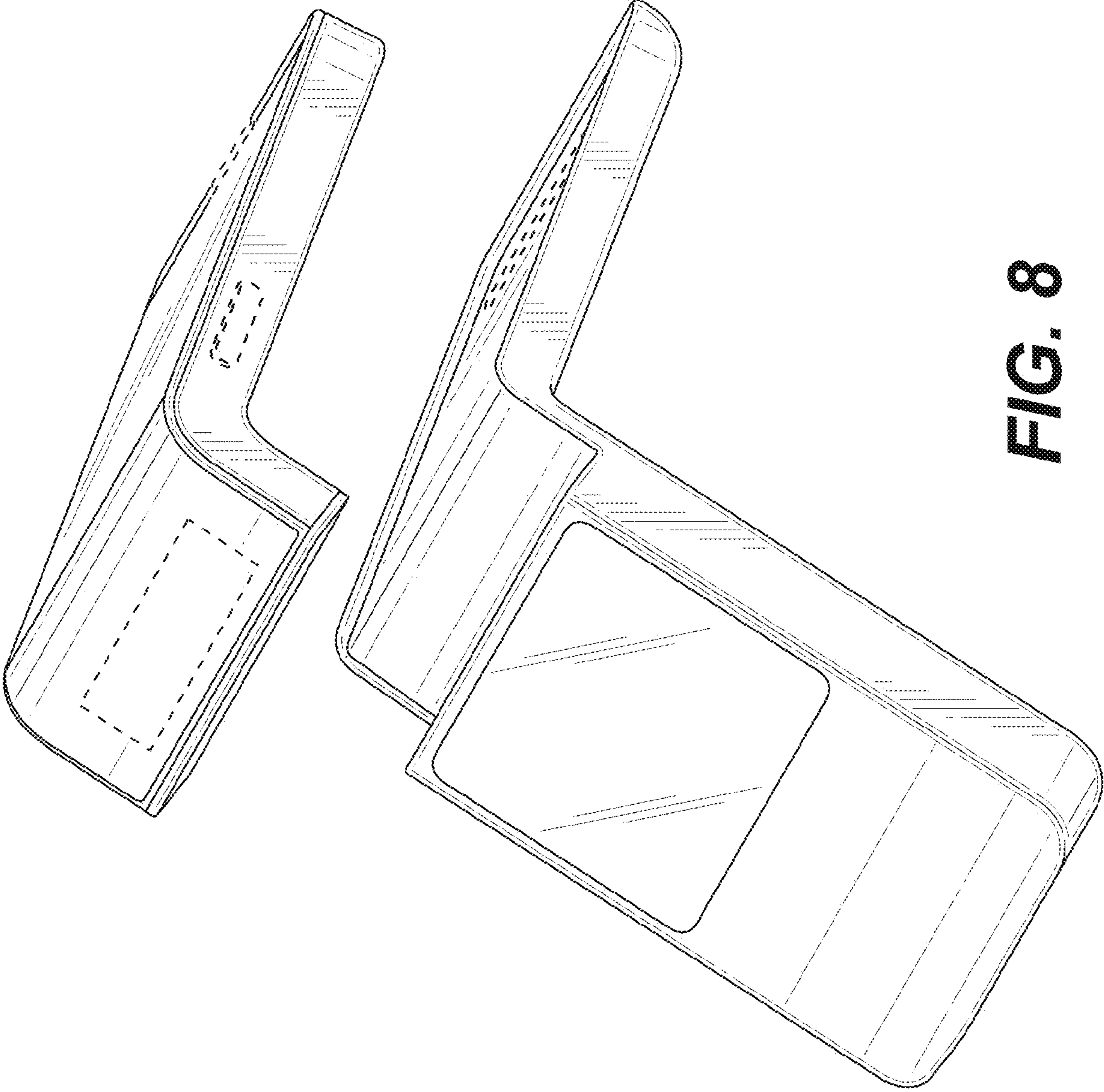


FIG. 8