



US00D960158S

(12) **United States Design Patent** (10) **Patent No.:** **US D960,158 S**
Rodriguez (45) **Date of Patent:** **** Aug. 9, 2022**

- (54) **ELECTRONIC VIEWING DEVICE**
- (71) Applicant: **Zanni XR Inc.**, Morris Plains, NJ (US)
- (72) Inventor: **David Solomon Rodriguez**, Morris Plains, NJ (US)
- (73) Assignee: **Zanni XR Inc.**, Morris Plains, NJ (US)
- (**) Term: **15 Years**
- (21) Appl. No.: **29/816,240**
- (22) Filed: **Nov. 19, 2021**

Related U.S. Application Data

- (63) Continuation of application No. 17/530,438, filed on Nov. 18, 2021, which is a continuation-in-part of application No. 29/799,865, filed on Jul. 16, 2021, now Pat. No. Des. 944,249, which is a continuation of application No. 29/712,226, filed on Nov. 6, 2019.

(51) **LOC (13) Cl.** **14-02**

(52) **U.S. Cl.**
USPC **D14/372**

(58) **Field of Classification Search**
 USPC D14/372, 496, 432, 371, 125, 126, 129, D14/299; D16/300-342; 351/158, 153, 351/144; 345/7-9, 905; 455/344; 348/115, 53, 121, 739
 CPC G02B 27/017; G02B 27/0158; G02B 27/0161; G02B 27/0181; G02B 27/0185; G02B 27/0189
 See application file for complete search history.

(56) **References Cited**

U.S. PATENT DOCUMENTS

- D792,400 S * 7/2017 Osterhout D14/372
- D795,952 S * 8/2017 Natsume D16/309

- D796,504 S * 9/2017 Natsume D14/372
- D796,505 S * 9/2017 Natsume D14/372
- D796,506 S * 9/2017 Natsume D14/372
- D864,959 S * 10/2019 Osterhout D14/372
- D873,329 S * 1/2020 Berenson D16/312
- D875,730 S * 2/2020 Lau D14/372
- D916,948 S * 4/2021 Dominguez D16/326
- D944,249 S * 2/2022 Rodriguez D14/372

* cited by examiner

Primary Examiner — Austin Murphy

(74) *Attorney, Agent, or Firm* — Rita C. Chipperson, Esq.; Chipperson Law Group, P.C.

(57) **CLAIM**

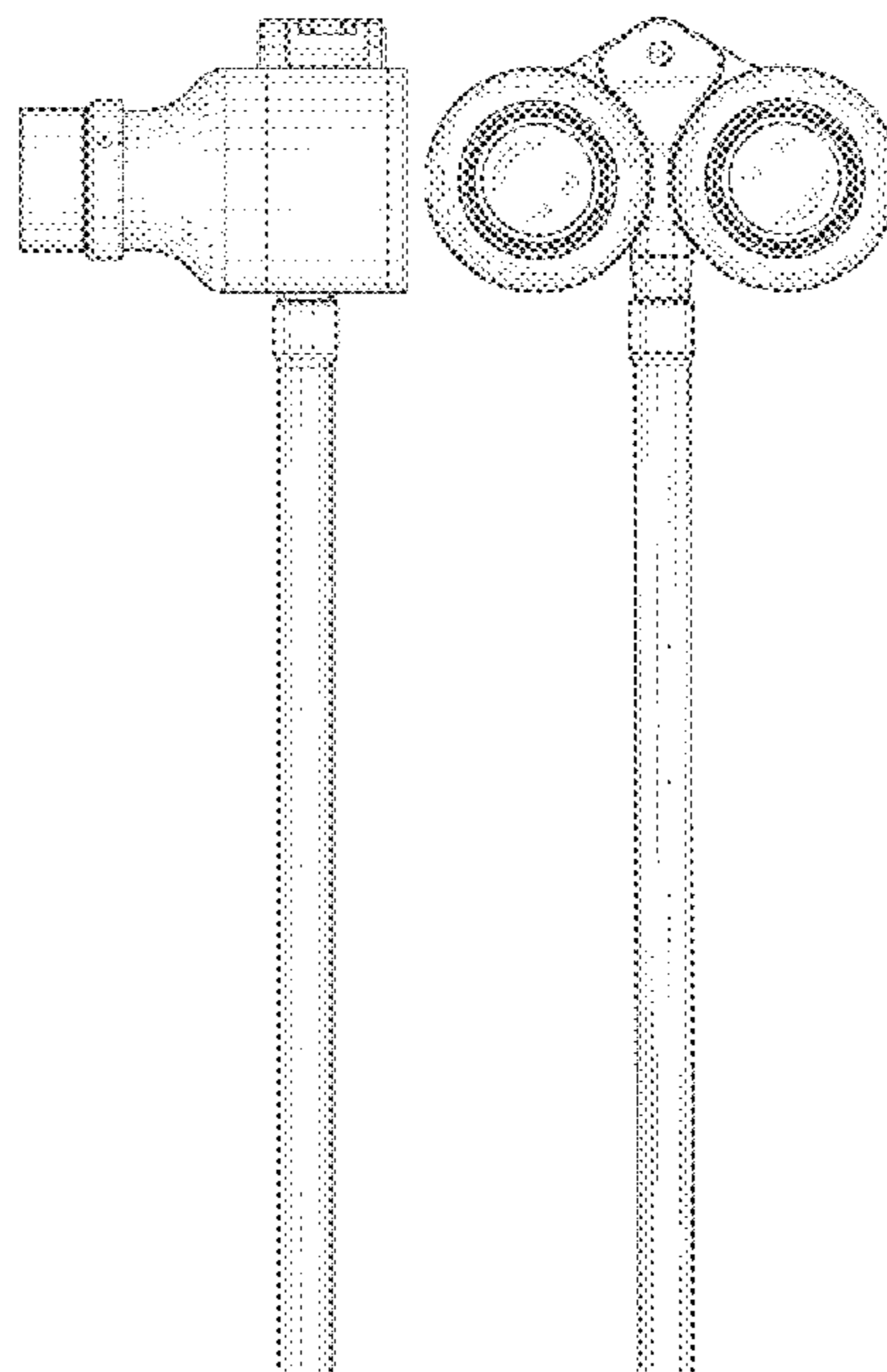
The ornamental design for an electronic viewing device, as shown and described.

DESCRIPTION

A portion of the disclosure of this patent document may contain material which is subject to copyright protection. The copyright owner has no objection to the facsimile reproduction by anyone of the patent document or the patent disclosure, as it appears in the Patent and Trademark Office patent file or records, but otherwise reserves all copyright whatsoever.

- FIG. 1 is an angled front perspective view of an electronic viewing device;
- FIG. 2 is a right side view thereof;
- FIG. 3 is a left side view thereof;
- FIG. 4 is a front view of an electronic viewing device;
- FIG. 5 is a rear view of an electronic viewing device;
- FIG. 6 is a top plan view thereof; and,
- FIG. 7 is a bottom plan view thereof.

1 Claim, 4 Drawing Sheets



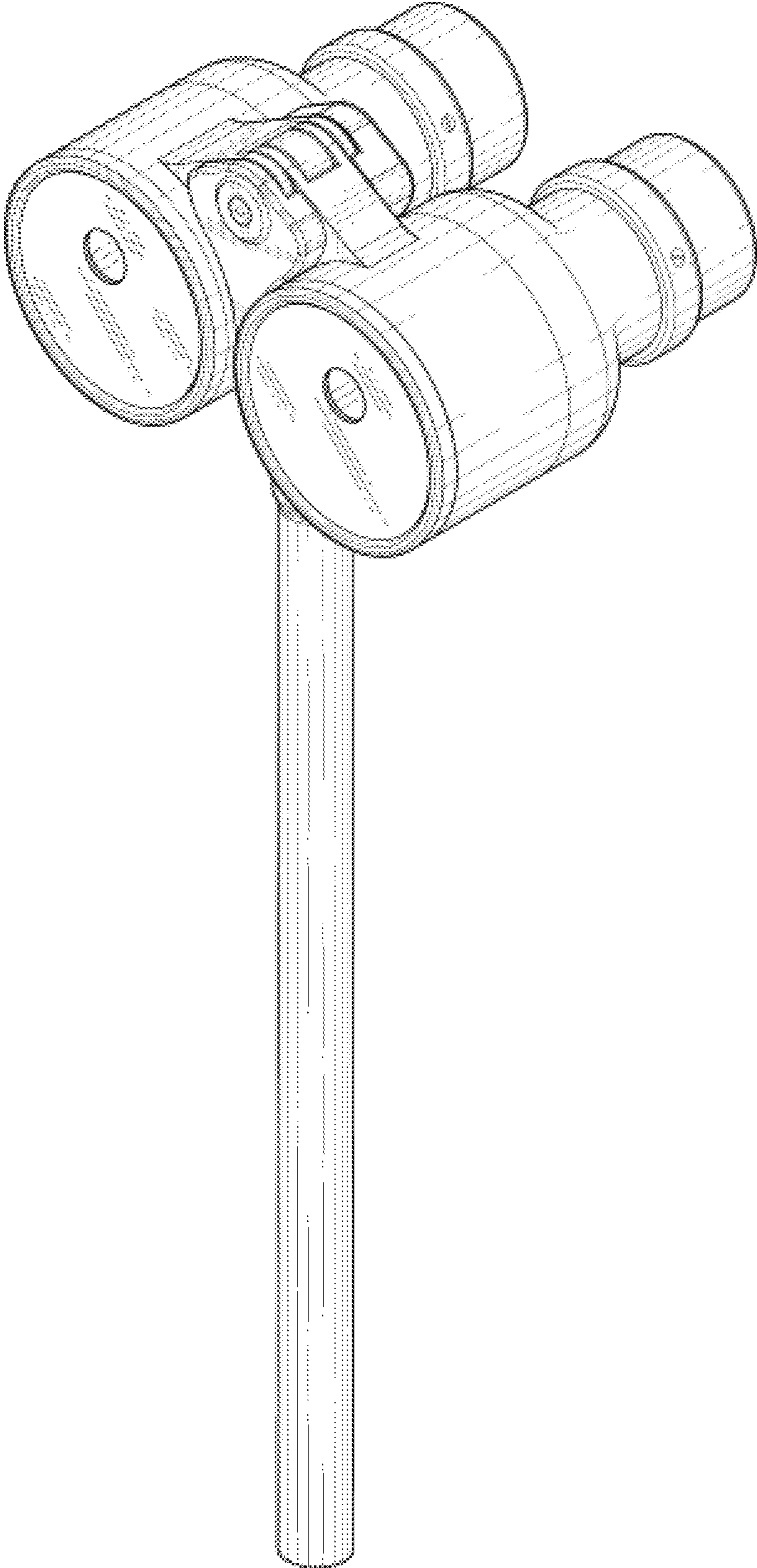


FIG. 1

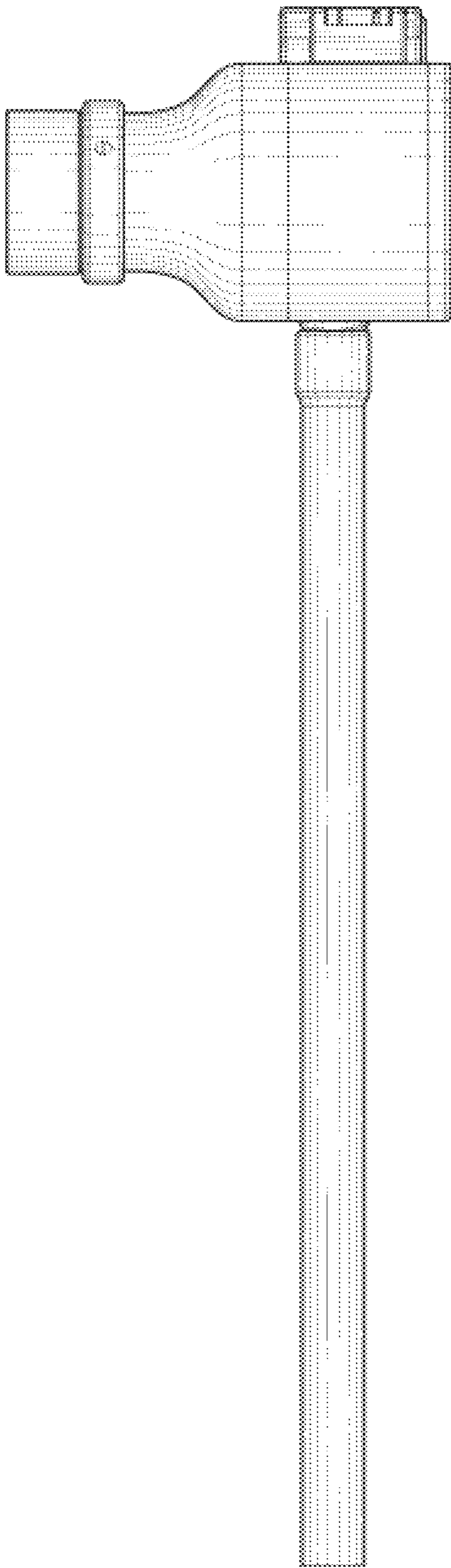


FIG. 2

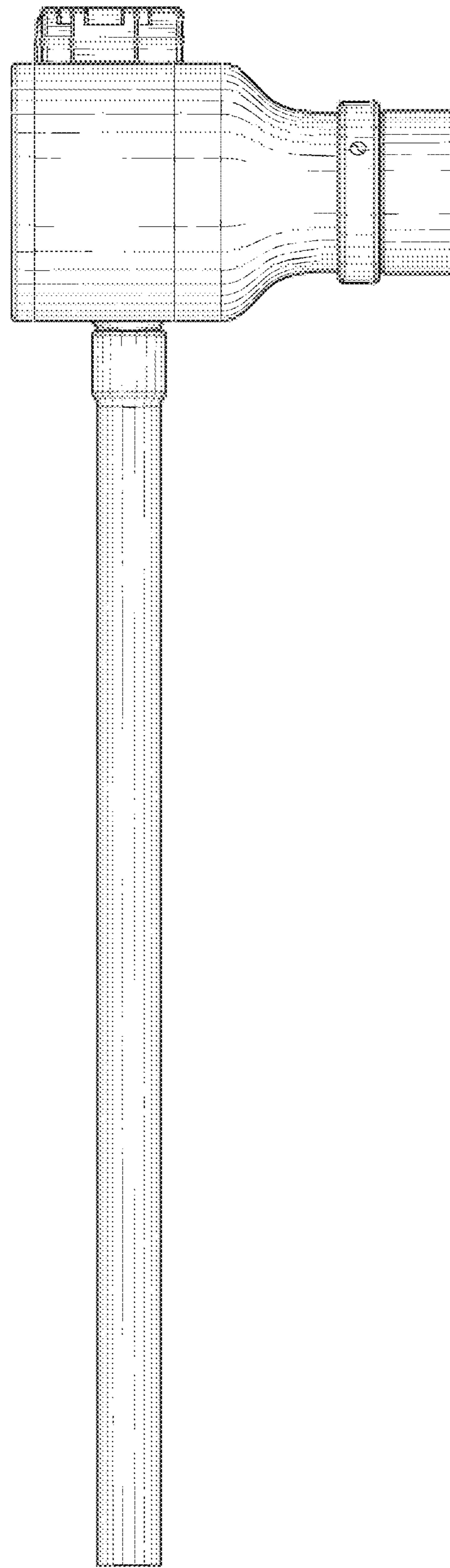


FIG. 3

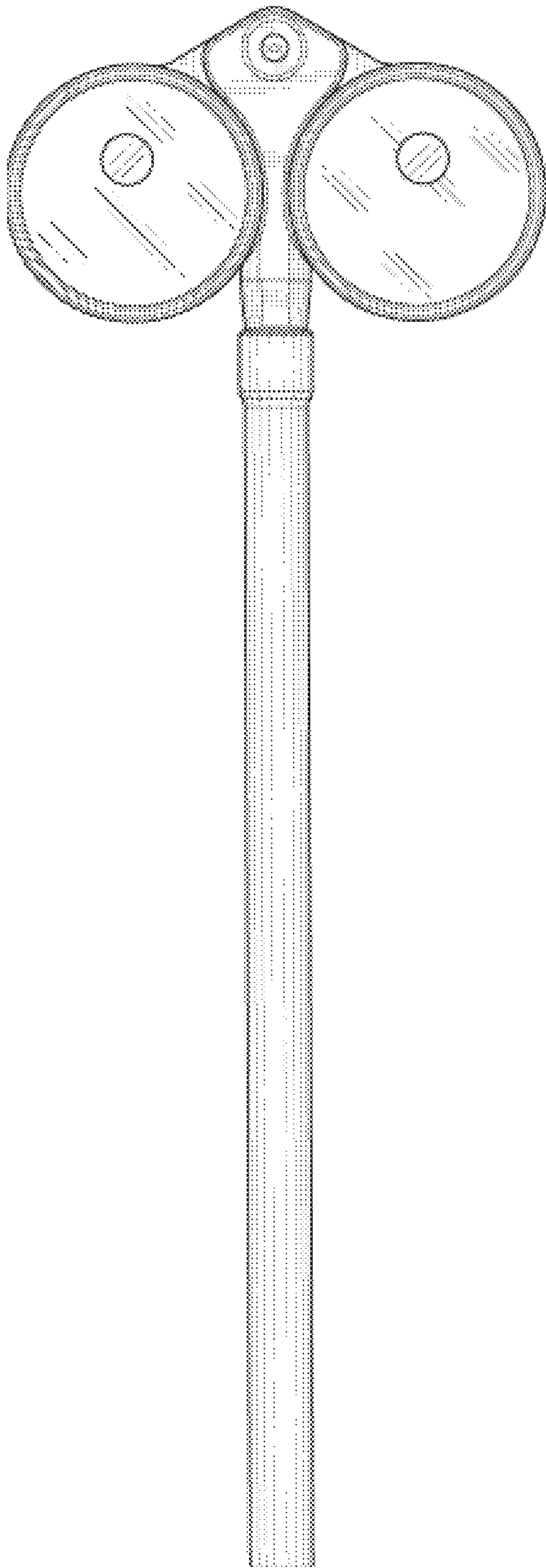


FIG. 4

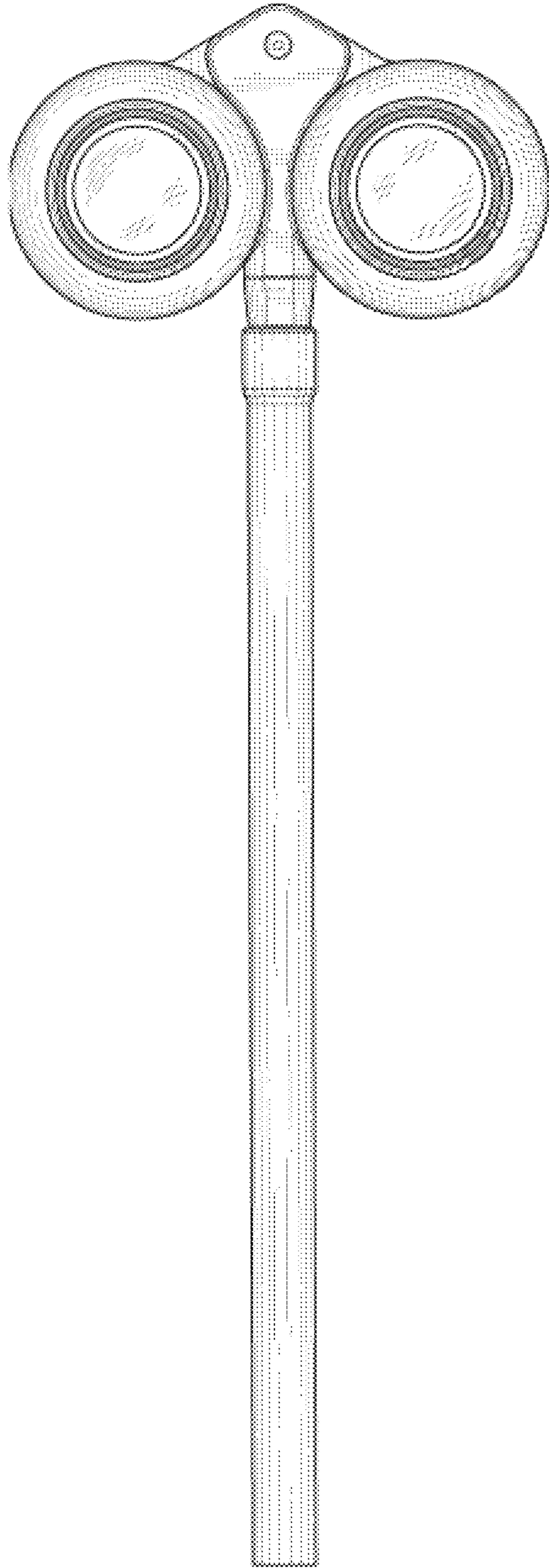


FIG. 5

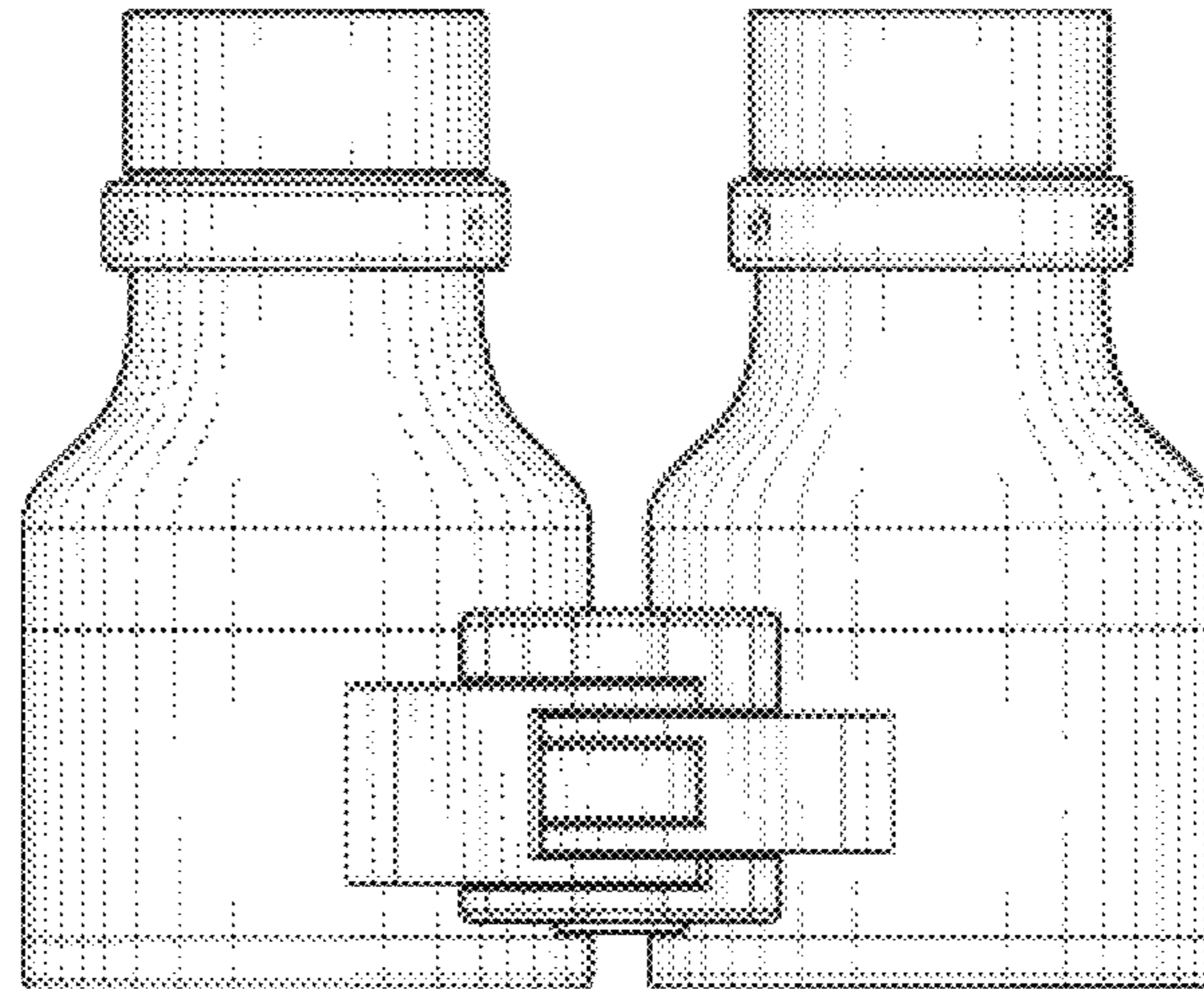


FIG. 6

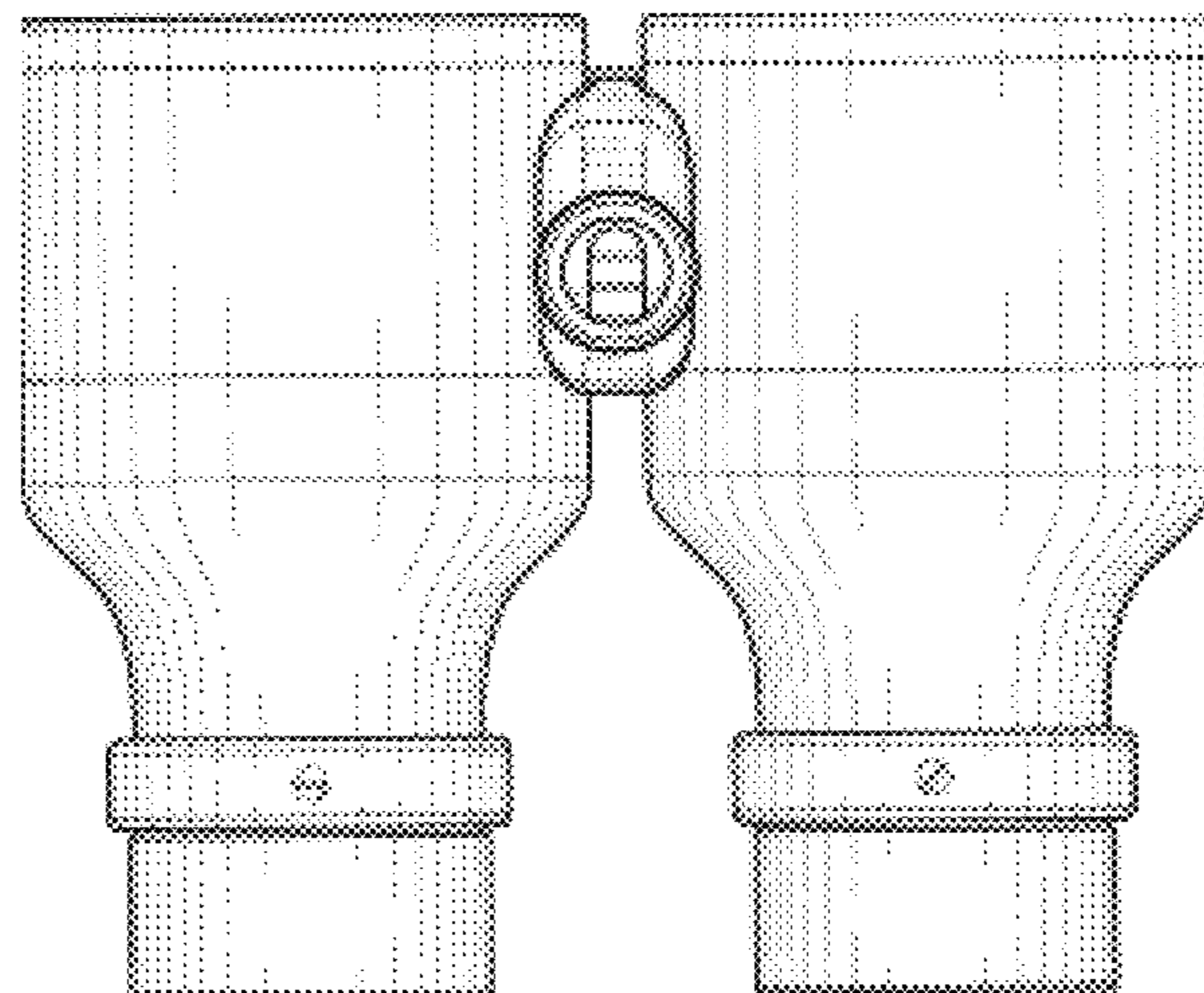


FIG. 7