



US00D960153S

(12) **United States Design Patent** (10) **Patent No.:** **US D960,153 S**
Wu (45) **Date of Patent:** **** Aug. 9, 2022**

(54) **SMART WATCH**
(71) Applicant: **SHENZHEN MONSTER INTELLIGENT INDUSTRIAL CO., LTD**, Shenzhen (CN)
(72) Inventor: **Honghua Wu**, Zhoukou (CN)
(73) Assignee: **SHENZHEN MONSTER INTELLIGENT INDUSTRIAL CO., LTD**, Shenzhen (CN)
(**) Term: **15 Years**
(21) Appl. No.: **29/802,579**
(22) Filed: **Aug. 6, 2021**
(51) **LOC (13) Cl.** **14-02**
(52) **U.S. Cl.**
USPC **D14/344; D10/38**
(58) **Field of Classification Search**
USPC ... D14/138 R, 144, 341, 344, 346, 388, 389, D14/390, 496; D10/30-32, 38, 70; D24/167, 186, 187
CPC G04G 17/00; G04G 17/045; G04G 17/08; G04G 17/083; G04G 21/00; G04G 21/02; G04G 21/025; G04G 21/06; G04G 21/08; G04G 99/006; G06F 1/163; A44C 5/0007; A44C 5/0015; A44C 5/0046; A44C 5/0053; A44C 5/2052; A44C 5/2071
See application file for complete search history.

D828,834 S * 9/2018 Zhang D14/344
D835,621 S * 12/2018 Bang D14/344
D836,466 S * 12/2018 Shi D14/344
D874,298 S * 2/2020 Xie D14/344
D893,322 S * 8/2020 Xiao D10/70
D894,179 S * 8/2020 Chung D14/344
D901,493 S 11/2020 Gao
D918,059 S * 5/2021 Wang D14/344
(Continued)

OTHER PUBLICATIONS

Samsung Galaxy Watch Active 2 review: A bite out of Apple, www.digitaltrends.com, Dec. 3, 2019. https://www.digitaltrends.com/mobile/samsung-galaxy-watch-active-2-review/ (Year: 2019).*
(Continued)

Primary Examiner — Llorellys Martinez
Assistant Examiner — Kwabena A. Ankobiah

(57) **CLAIM**

The ornamental design for a smart watch, as shown and described.

DESCRIPTION

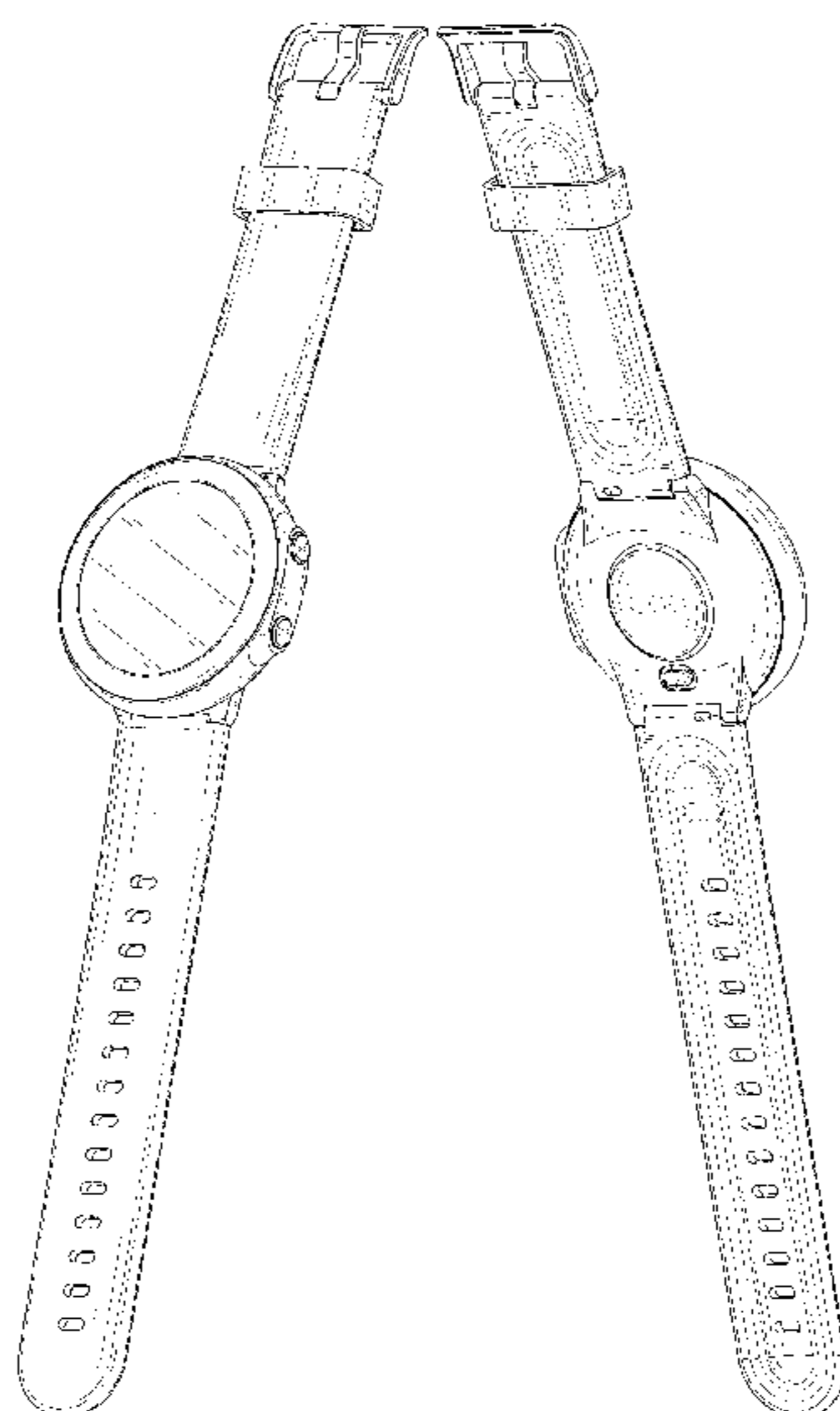
FIG. 1 is a perspective view of a smart watch showing my new design;
FIG. 2 is another perspective view thereof;
FIG. 3 is a front elevational view thereof;
FIG. 4 is a rear elevational view thereof;
FIG. 5 is a left side elevational view thereof;
FIG. 6 is a right side elevational view thereof;
FIG. 7 is a top plan view thereof;
FIG. 8 is a bottom plan view thereof; and,
FIG. 9 is an enlarged view of portion 9 shown in FIG. 5.
The dash-dash broken lines in the drawings depict portions of the smart watch that form no part of the claimed design. The dot-dash broken lines in FIGS. 5 and 9 are included to show a partially enlarged view only and form no part of the claimed design.

1 Claim, 9 Drawing Sheets

(56) **References Cited**

U.S. PATENT DOCUMENTS

D377,613 S * 1/1997 Consolo D10/38
D739,268 S * 9/2015 Lammers-Meis D10/38
D784,345 S 4/2017 Kwon
D807,351 S * 1/2018 Bang D14/344
D819,626 S * 6/2018 Wang D14/344
D823,853 S * 7/2018 Yoshimoto D14/344
D828,833 S * 9/2018 Zhang D14/344



(56)

References Cited

U.S. PATENT DOCUMENTS

D923,004	S	*	6/2021	Gao	D14/344
D927,325	S	*	8/2021	Droze	D10/32
D927,991	S	*	8/2021	Ide	D14/344
D928,633	S	*	8/2021	Register	D14/344
D933,065	S	*	10/2021	Hong	D14/344

OTHER PUBLICATIONS

Amazfit GTR 2 Smart Watch for Android iPhone, www.amazon.com, Nov. 21, 2020. <https://www.amazon.com/Amazfit-Smartwatch-Storage-Bluetooth-Water-Resistant/dp/B08HRBZ2G4/> (Year: 2020).*

* cited by examiner

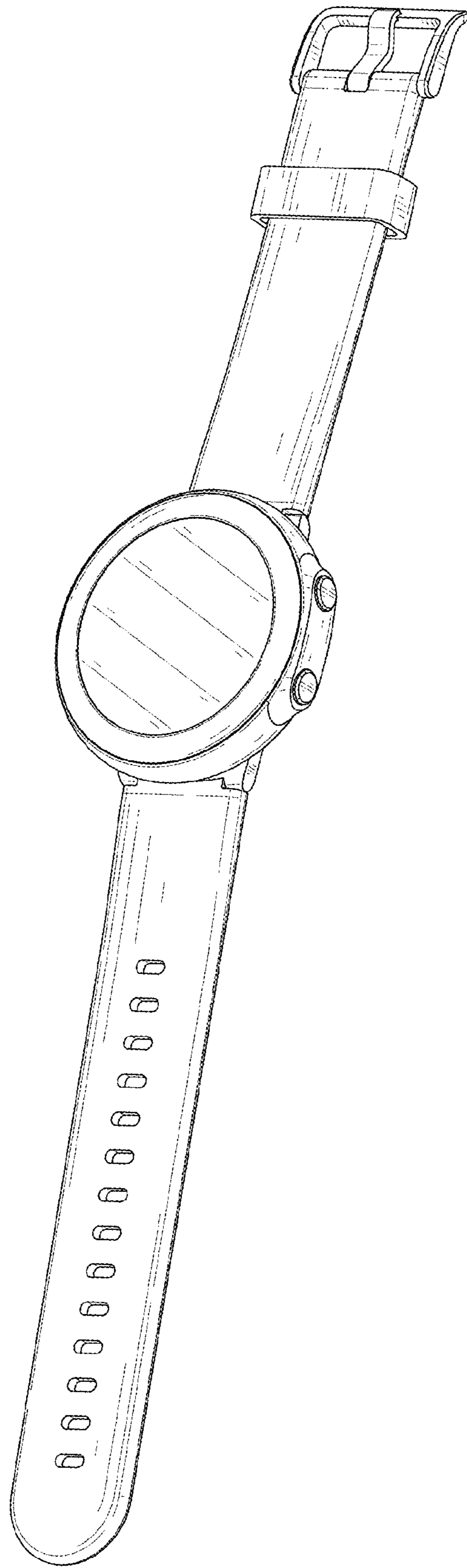


FIG. 1

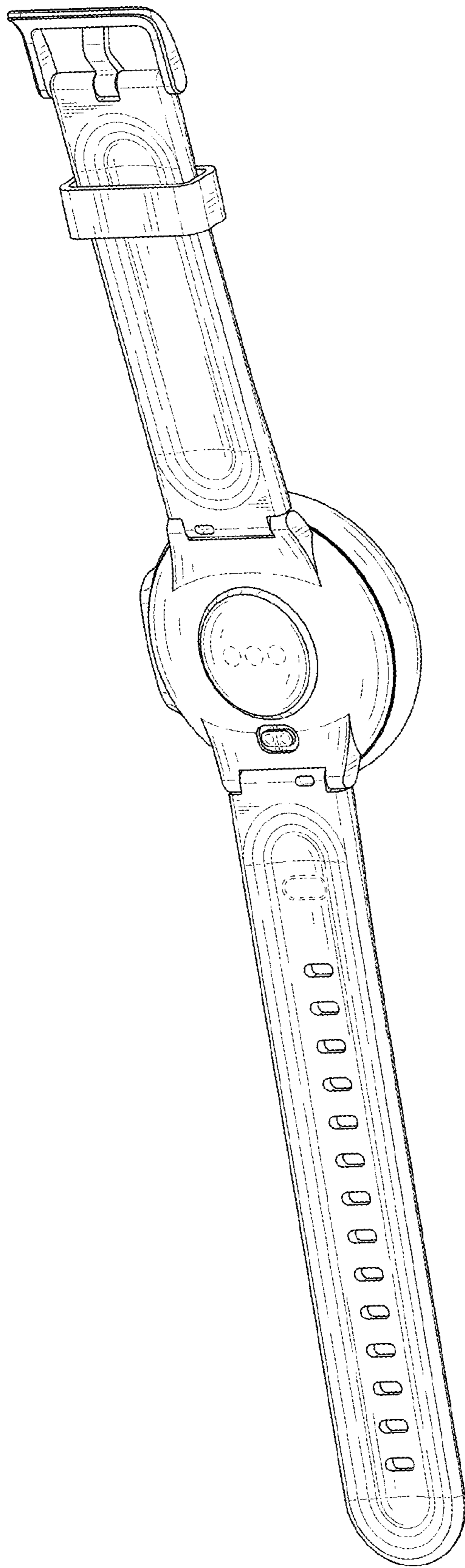


FIG. 2

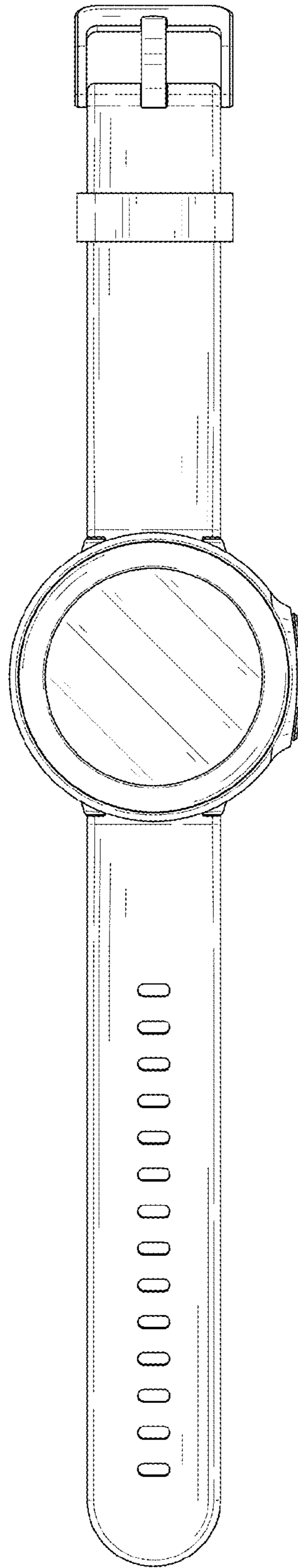


FIG. 3

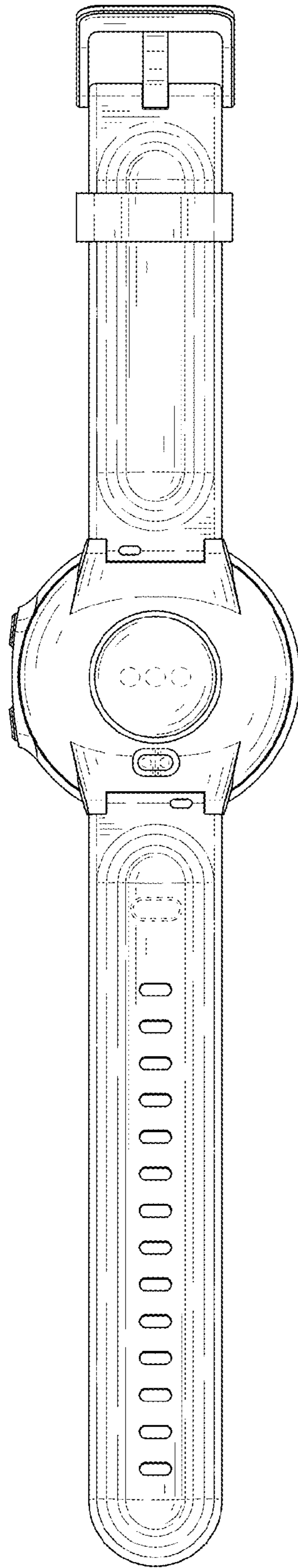


FIG. 4

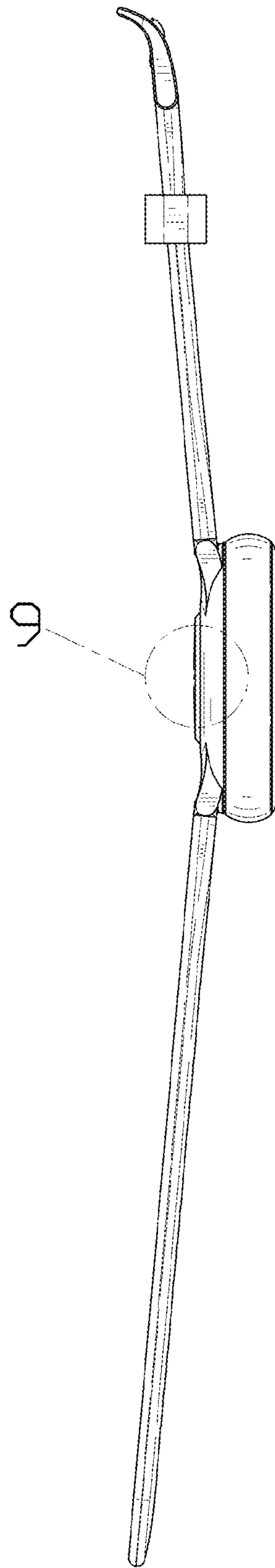


FIG. 5

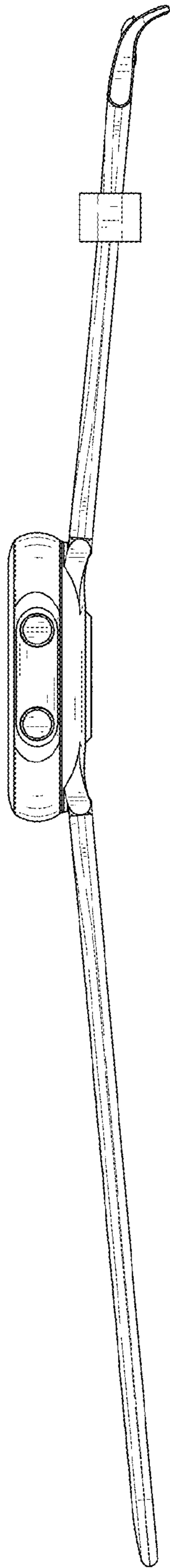


FIG. 6

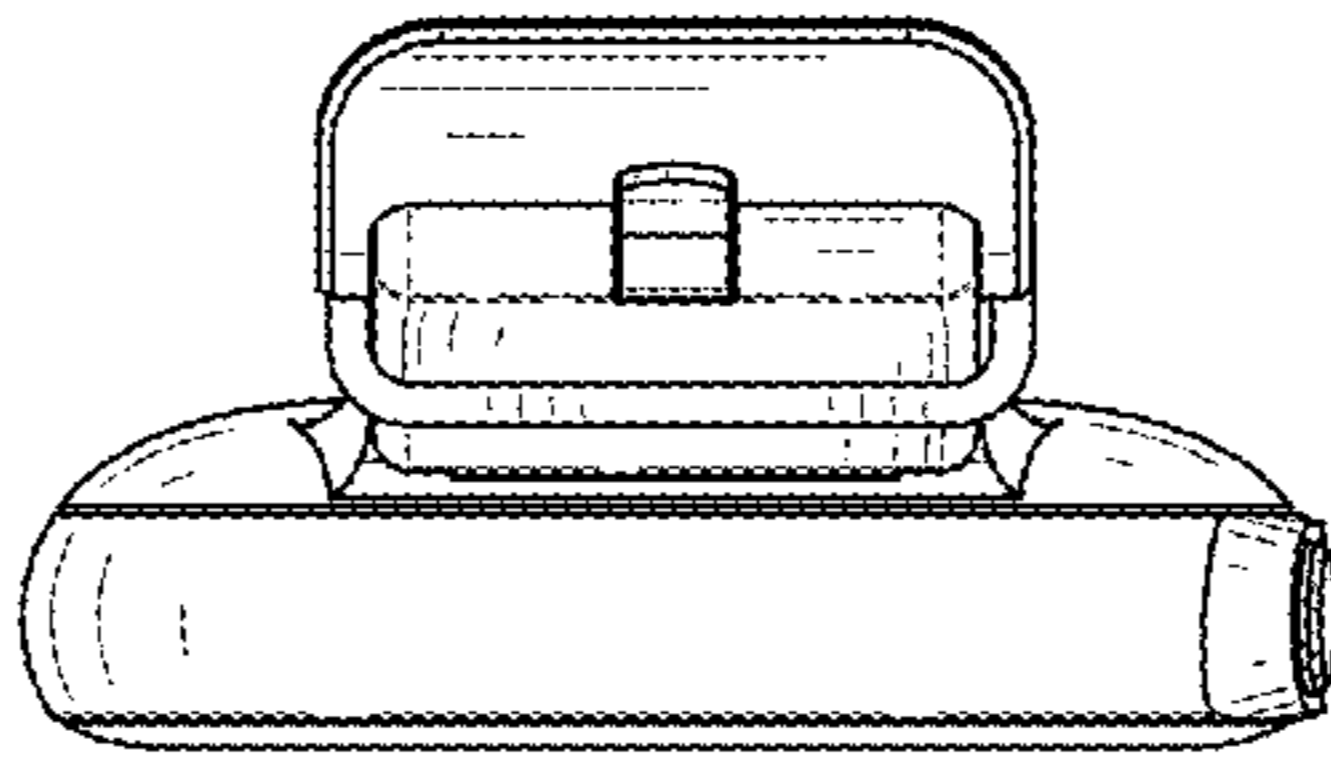


FIG. 7

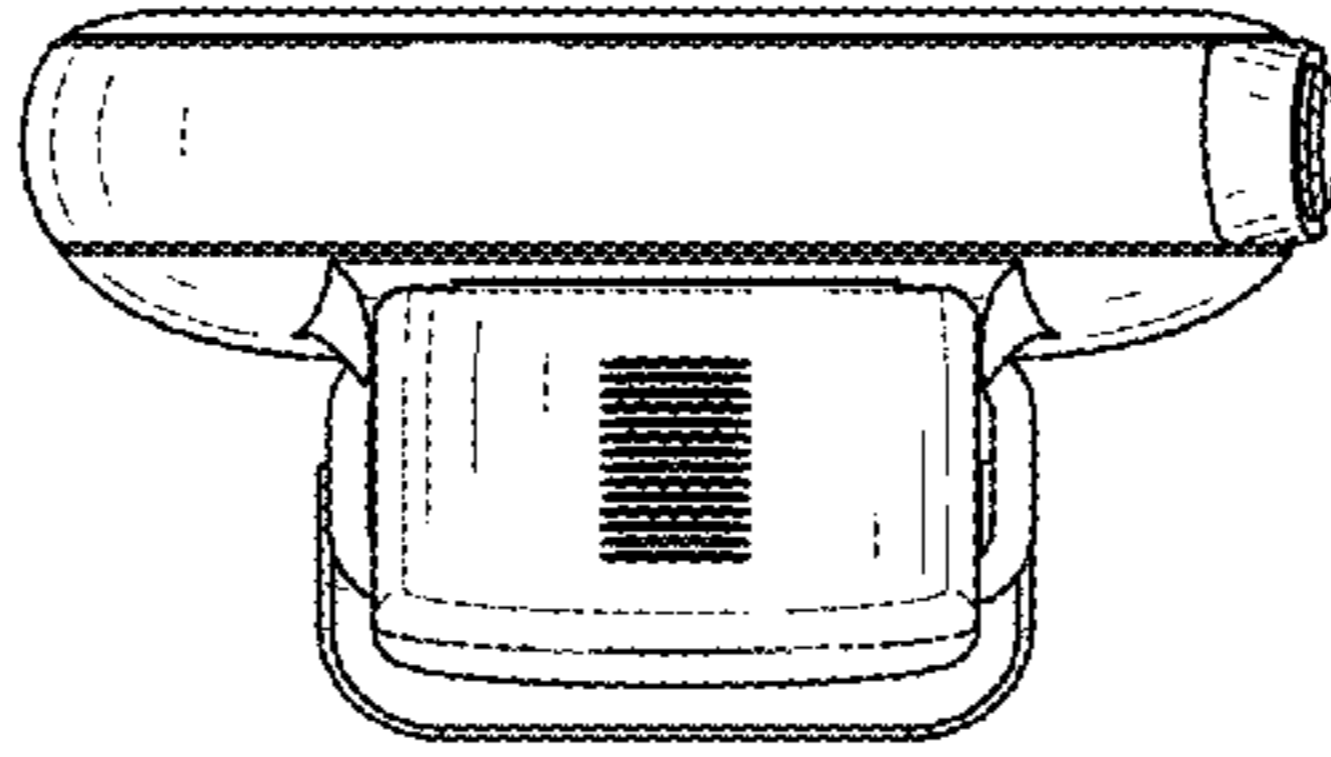


FIG. 8

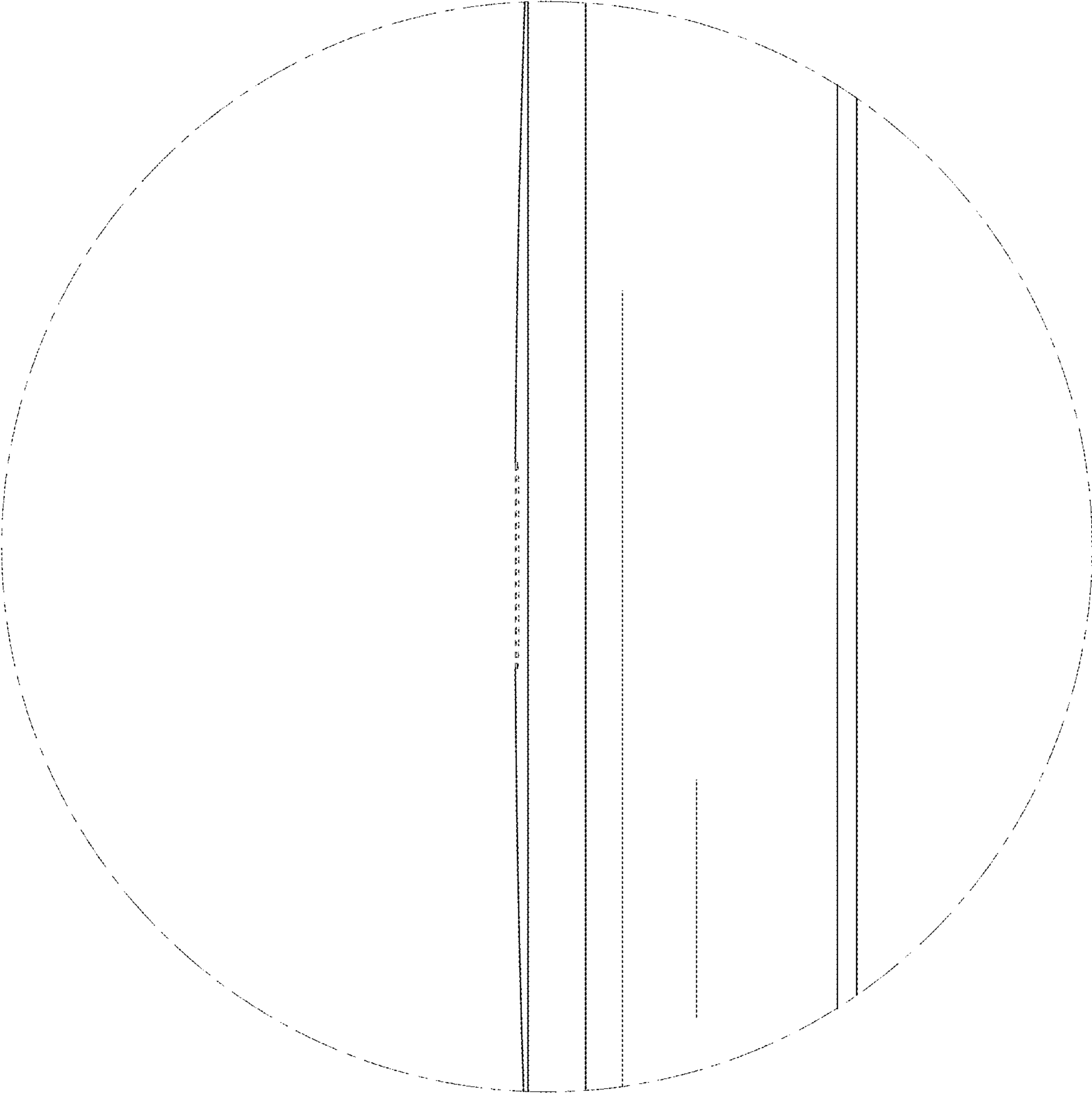


FIG. 9