

US00D960150S

(12) **United States Design Patent**  
**Matsumoto et al.**

(10) **Patent No.:** **US D960,150 S**  
(45) **Date of Patent:** **\*\* Aug. 9, 2022**

(54) **WEARABLE DEVICE**

(71) Applicant: **Amazon Technologies, Inc.**, Seattle,  
WA (US)

(72) Inventors: **Ippei Matsumoto**, Daly City, CA (US);  
**Bernhard Wildner**, San Francisco, CA  
(US)

(73) Assignee: **Amazon Technologies, Inc.**, Seattle,  
WA (US)

(\*\*) Term: **15 Years**

(21) Appl. No.: **29/702,426**

(22) Filed: **Aug. 19, 2019**

(51) **LOC (13) Cl.** ..... **14-02**

(52) **U.S. Cl.**  
USPC ..... **D14/344**

(58) **Field of Classification Search**

USPC .... D14/140, 137, 138 R, 138 AB, 139, 144,  
D14/155, 167, 191, 192, 203.1, 203.3,  
D14/203.4, 203.5, 203.6, 203.7, 226, 218,  
D14/240, 248, 341, 344, 346, 358, 372,  
D14/432, 427, 448, 480.3, 496; D10/65,  
D10/70, 78, 97, 98, 30-39; D11/2, 3;  
D24/167, 168, 186  
CPC ..... A61B 5/681; A61B 5/6824; A61B 5/6825;  
A61B 5/6826; A61B 5/02438; A61B  
5/02416; G04B 19/00-34; G04B 21/12;  
G04B 23/12; G04B 37/00-228; G04B  
47/00-068; G01C 17/00; G01C  
21/00-3697; G06F 1/163; G06F 19/3481;  
G06F 3/00-027; H04B 1/385

See application file for complete search history.

(56) **References Cited**

**U.S. PATENT DOCUMENTS**

D541,275 S \* 4/2007 Lai ..... D14/358  
D556,194 S \* 11/2007 Rambosek ..... D11/2

D711,002 S 8/2014 Ohnemus et al.  
D715,665 S \* 10/2014 Park ..... D10/98  
D715,668 S 10/2014 Roush et al.

(Continued)

**OTHER PUBLICATIONS**

Amazon Breaks Into The World Of Fitness Tracking, Aug. 27, 2020,  
[retrieved Mar. 24, 2022], Retrieved from Internet, URL: <https://  
hiconsumption.com/amazon-halo-fitness-tracker/> (Year: 2020).\*

(Continued)

*Primary Examiner* — Barbara Fox  
*Assistant Examiner* — Aram Kwon

(74) *Attorney, Agent, or Firm* — Lee & Hayes, P.C.

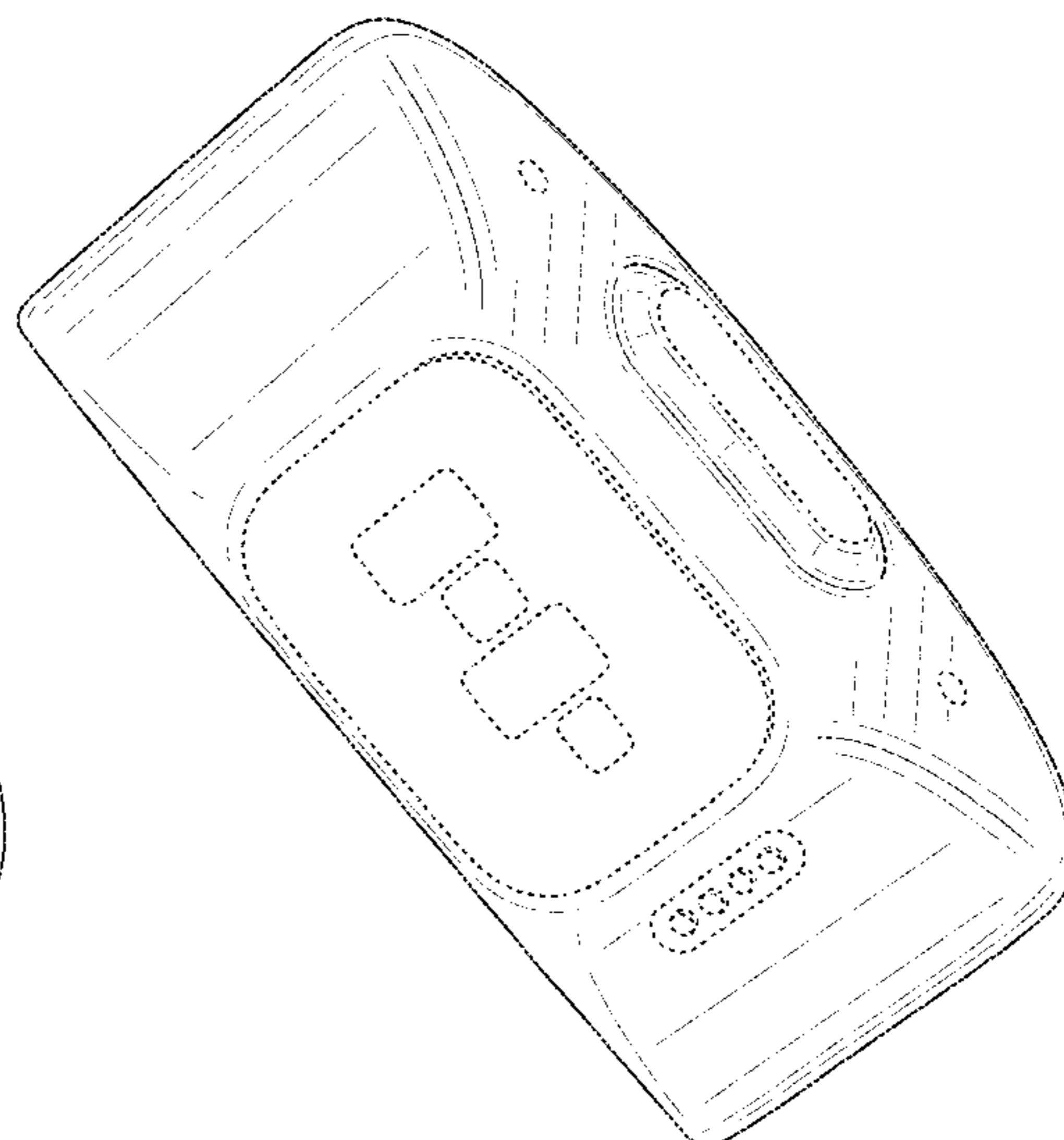
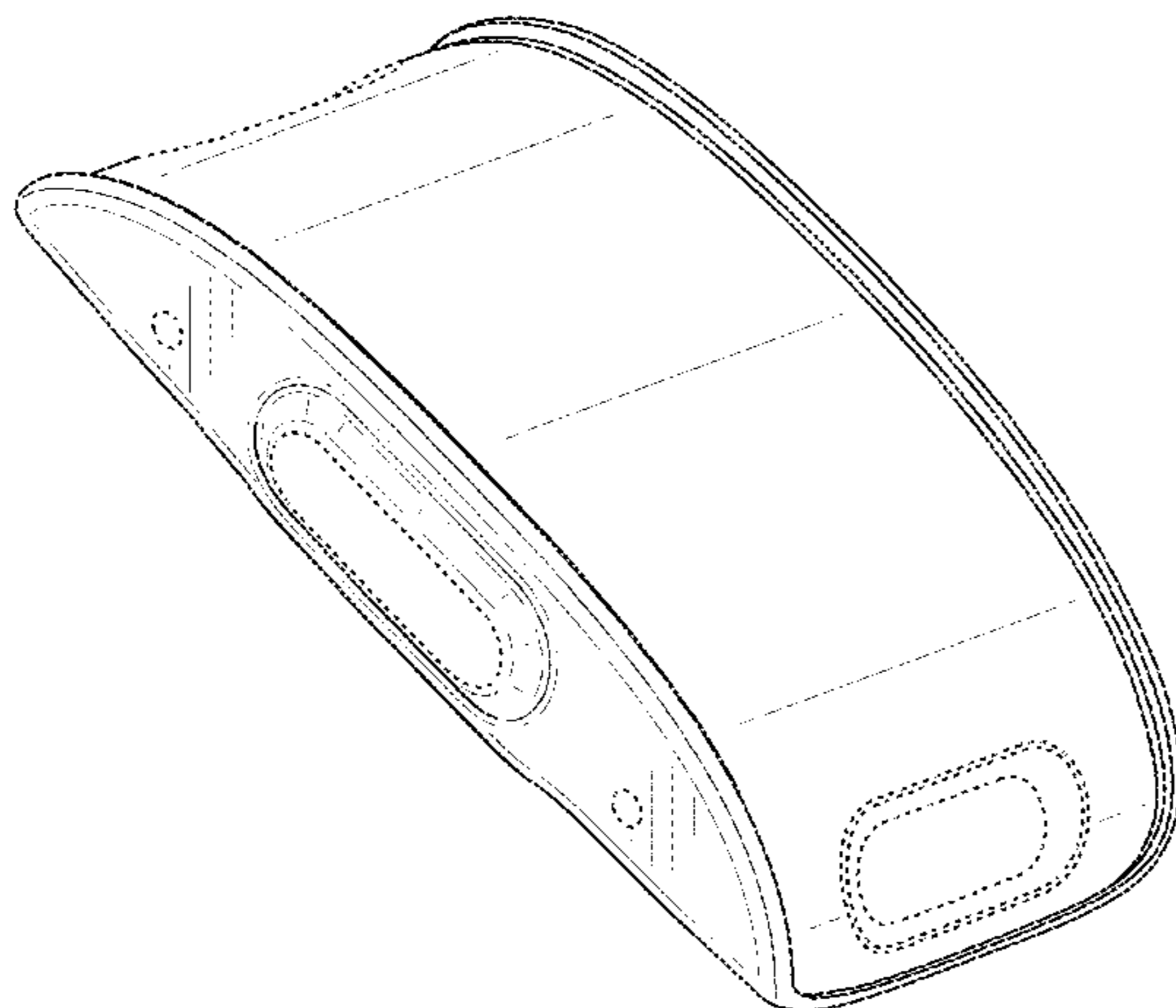
(57) **CLAIM**

The ornamental design for a wearable device, as shown and  
described.

**DESCRIPTION**

FIG. 1 is a bottom, front, and left-side perspective view of  
a wearable device;  
FIG. 2 is a back and left-side perspective view thereof;  
FIG. 3 is a right-side elevation view thereof;  
FIG. 4 is a left-side elevation view thereof;  
FIG. 5 is a bottom plan view thereof;  
FIG. 6 is a top plan view thereof;  
FIG. 7 is a front elevation view thereof;  
FIG. 8 is a back elevation view thereof;  
FIG. 9 is a cross-sectional view thereof, taken along line 9-9  
of FIG. 5; and,  
FIG. 10 is a bottom, front, and left-side perspective view  
thereof, shown with a band disclosed in broken lines to  
illustrate an environment.  
The broken lines depict portions of the wearable device in  
which the design is embodied that form no part of the  
claimed design. Additionally, the broken lines showing a  
band in FIG. 10 represent environment and form no part of  
the claimed design.

**1 Claim, 10 Drawing Sheets**



(56)

References Cited

U.S. PATENT DOCUMENTS

D720,248 S 12/2014 Law  
 D724,453 S 3/2015 Ogihara et al.  
 D725,072 S \* 3/2015 Kim ..... D14/138 R  
 D725,510 S 3/2015 Henning  
 D726,052 S \* 4/2015 Henning ..... D10/70  
 D737,699 S 9/2015 Chang et al.  
 D745,514 S \* 12/2015 Jung ..... D14/344  
 D746,477 S 12/2015 Cha et al.  
 D747,714 S 1/2016 Erbeus  
 D751,549 S \* 3/2016 Park ..... D14/344  
 D757,583 S 5/2016 Roush et al.  
 D759,622 S 6/2016 Dahlberg  
 D768,858 S 10/2016 Komulainen  
 D787,960 S \* 5/2017 Park ..... D10/70  
 D796,045 S 8/2017 Henning  
 D803,709 S \* 11/2017 Le Bihan ..... D10/70  
 D805,413 S 12/2017 Chen et al.  
 D806,880 S \* 1/2018 Henning ..... D14/344  
 D808,962 S 1/2018 Wu  
 D812,608 S 3/2018 Jones et al.  
 D817,784 S 5/2018 Swenson et al.  
 D818,855 S \* 5/2018 Tooze ..... D10/70  
 D820,124 S 6/2018 Mouradian  
 D824,899 S \* 8/2018 Yang ..... D14/344  
 D826,763 S 8/2018 Chuang  
 D831,643 S 10/2018 Son et al.  
 D838,194 S 1/2019 Mays  
 D860,989 S \* 9/2019 Choplin ..... D14/344  
 D863,297 S \* 10/2019 Ke ..... D14/344  
 D865,761 S \* 11/2019 Choplin ..... D14/344  
 D878,365 S \* 3/2020 Choplin ..... D14/344  
 D879,094 S \* 3/2020 Choplin ..... D14/344

D887,405 S \* 6/2020 Kozlovskaya ..... D14/344  
 D902,203 S \* 11/2020 Choplin ..... D14/344  
 D918,899 S 5/2021 Zhu  
 D929,879 S \* 9/2021 Paschke ..... D10/70  
 D931,276 S 9/2021 Yi et al.  
 D931,852 S 9/2021 Zheng  
 D933,649 S 10/2021 Yu et al.  
 2019/0361402 A1 \* 11/2019 Markan ..... A44C 5/14

OTHER PUBLICATIONS

Amazon Halo review, Dec. 23, 2020, [retrieved Mar. 24, 2022], Retrieved from Internet, URL: <<https://www.cnn.com/2020/12/23/cnn-underscored/amazon-halo-review/index.html>> (Year: 2020).\*

Amazon Halo review: incredibly invasive . . . , Dec. 2, 2020, [retrieved Mar. 24, 2022], Retrieved from Internet, URL: <<https://appleinsider.com/articles/20/12/02/review-amazon-halo-is-incredibly-invasive-but-helps-you-learn-about-yourself>> (Year: 2020).\*

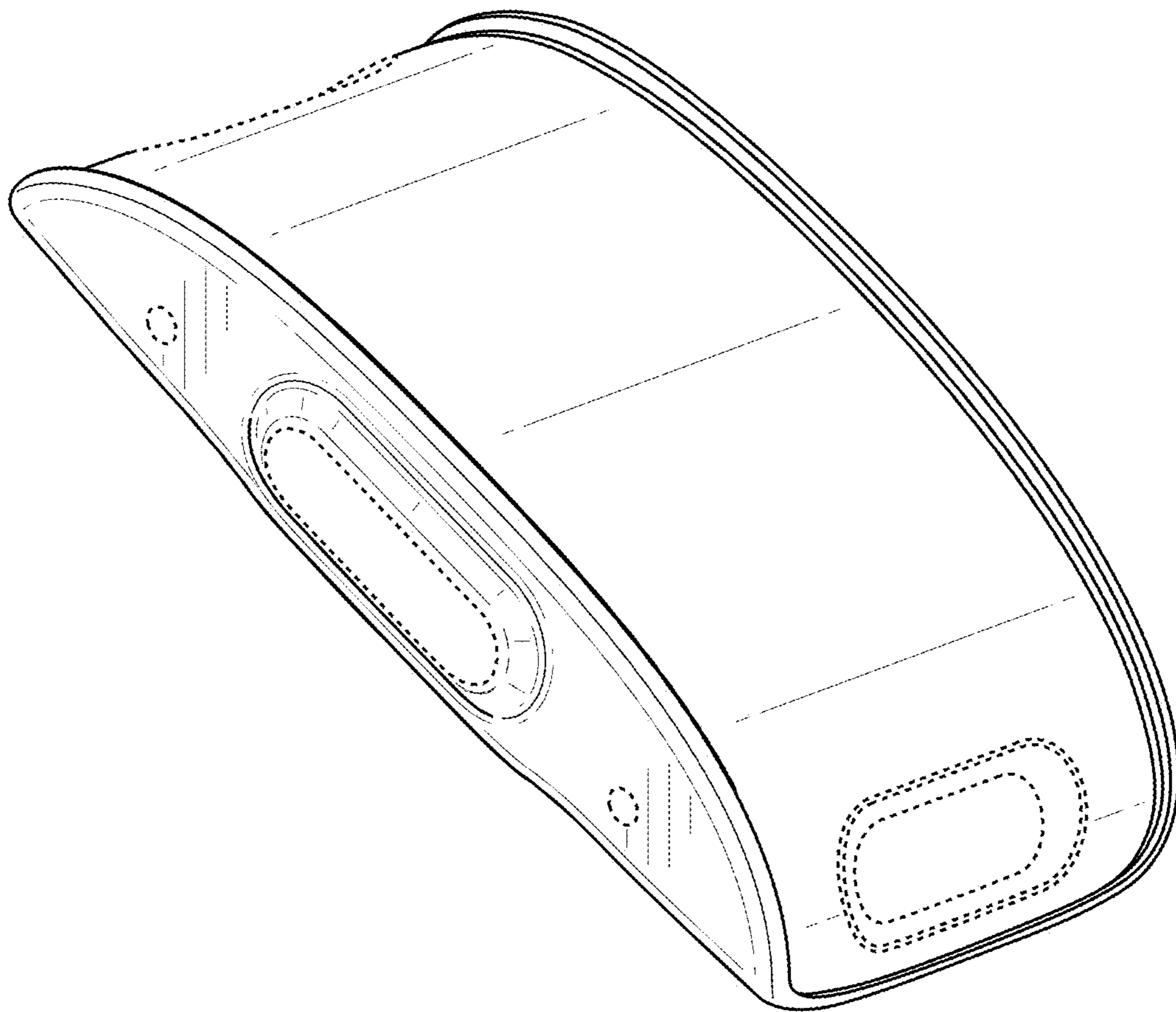
Amazon's Halo fitness band . . . , Apr. 20, 2021, [retrieved Mar. 24, 2022], Retrieved from Internet, URL: <<https://www.businessinsider.com/guides/tech/amazon-halo-review>> (Year: 2021).\*

Amazon Announces Halo, Aug. 27, 2020, [retrieved Mar. 24, 2022], Retrieved from Internet, URL: <<https://www.theverge.com/2020/8/27/21402493/amazon-halo-band-health-fitness-body-scan-tone-emotion-activity-sleep>> (Year: 2020).\*

Chinese Notice for Amendment dated May 26, 2020 for Chinese Patent Application No. 202030052897.9, a counterpart of U.S. Appl. No. 29/702,420, 1 pages.

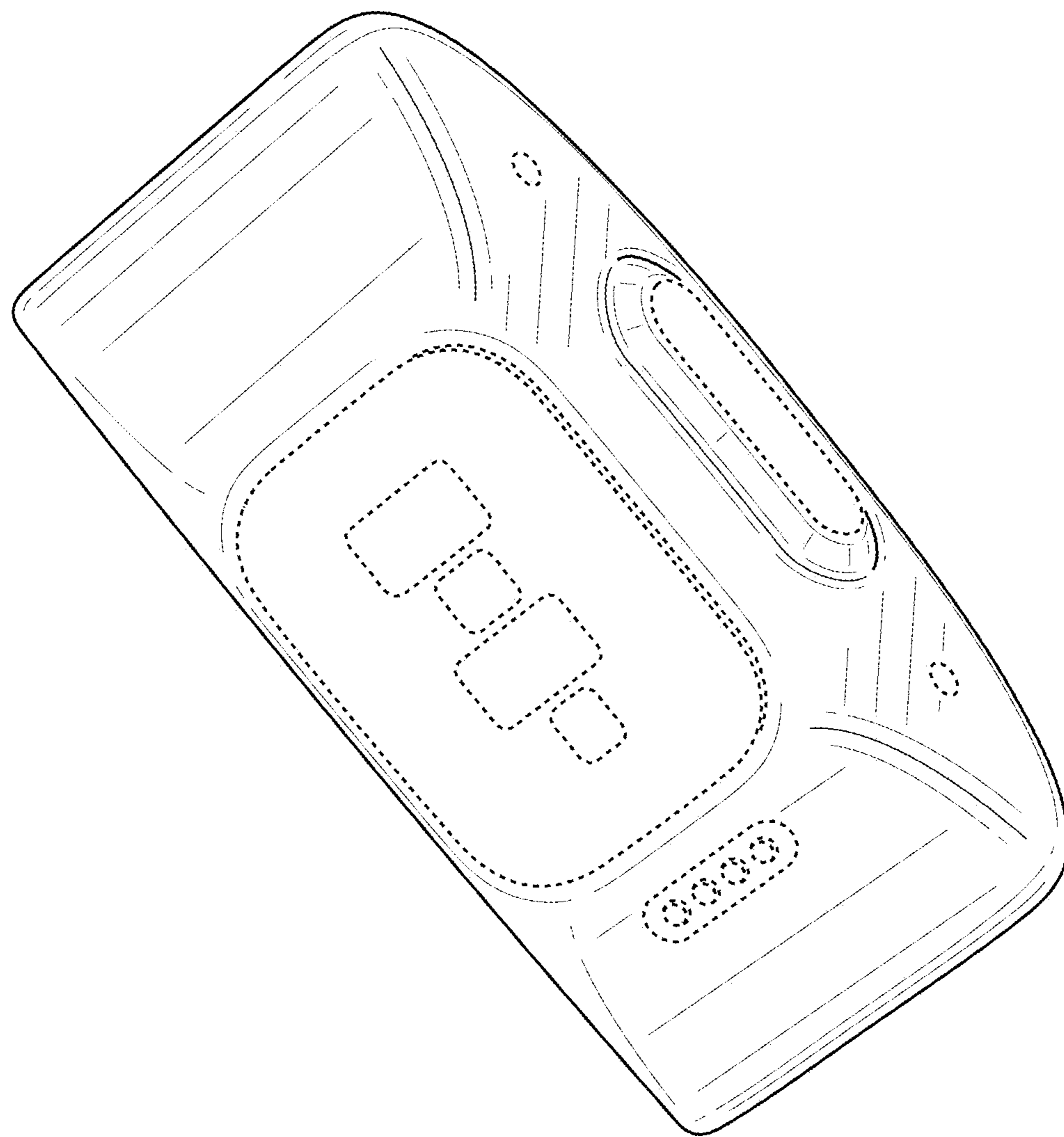
Chinese Notice for Amendment dated May 26, 2020 for Chinese Patent Application No. 202030053542.1, a counterpart of U.S. Appl. No. 29/702,426, 1 pages.

\* cited by examiner

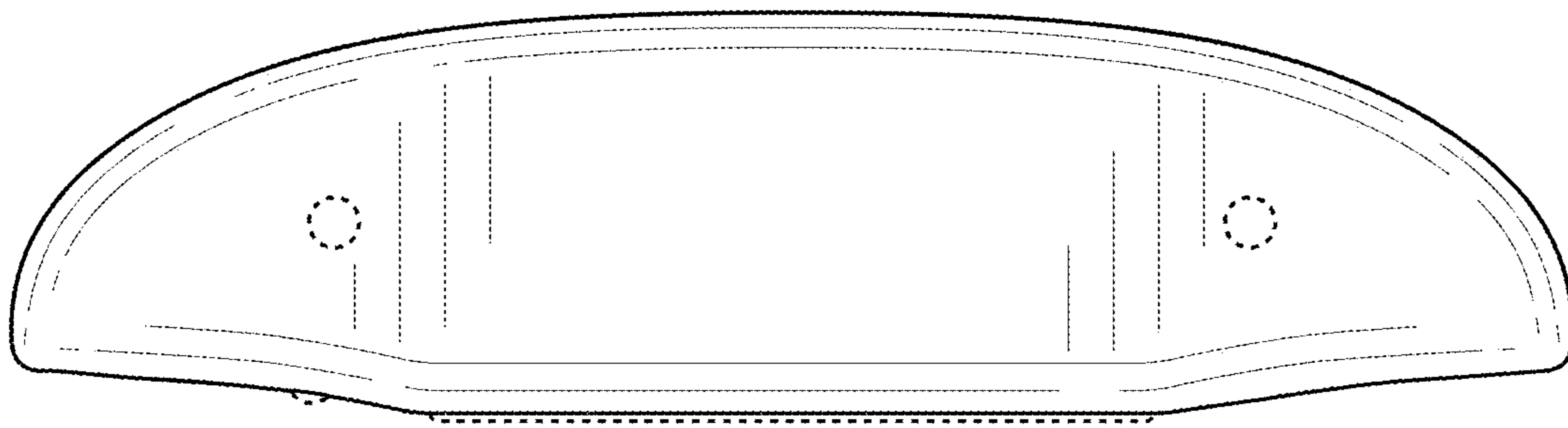


**FIG. 1**

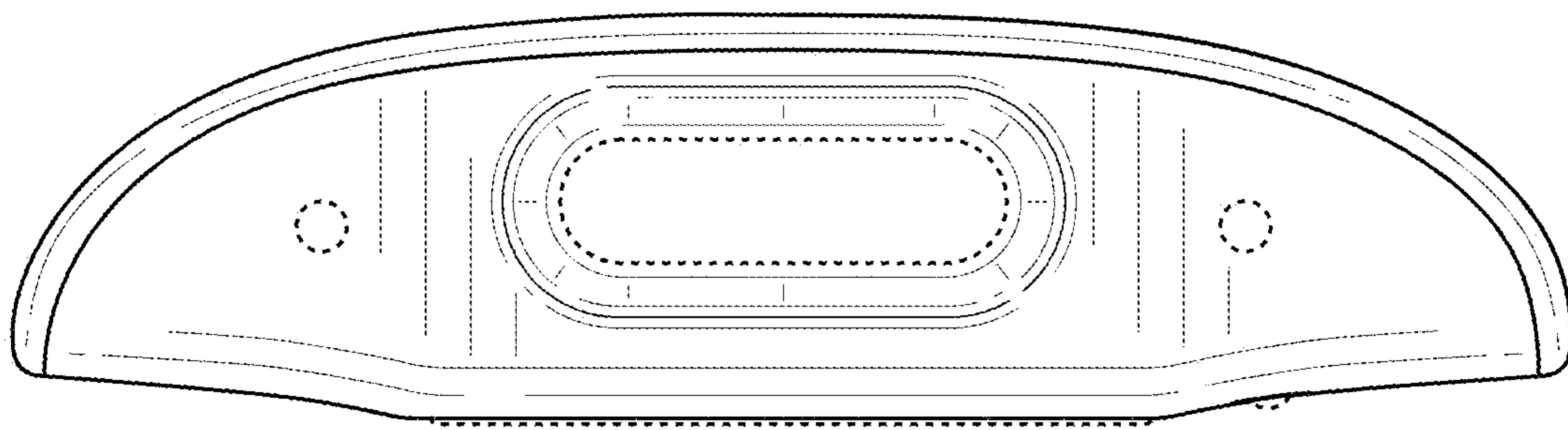




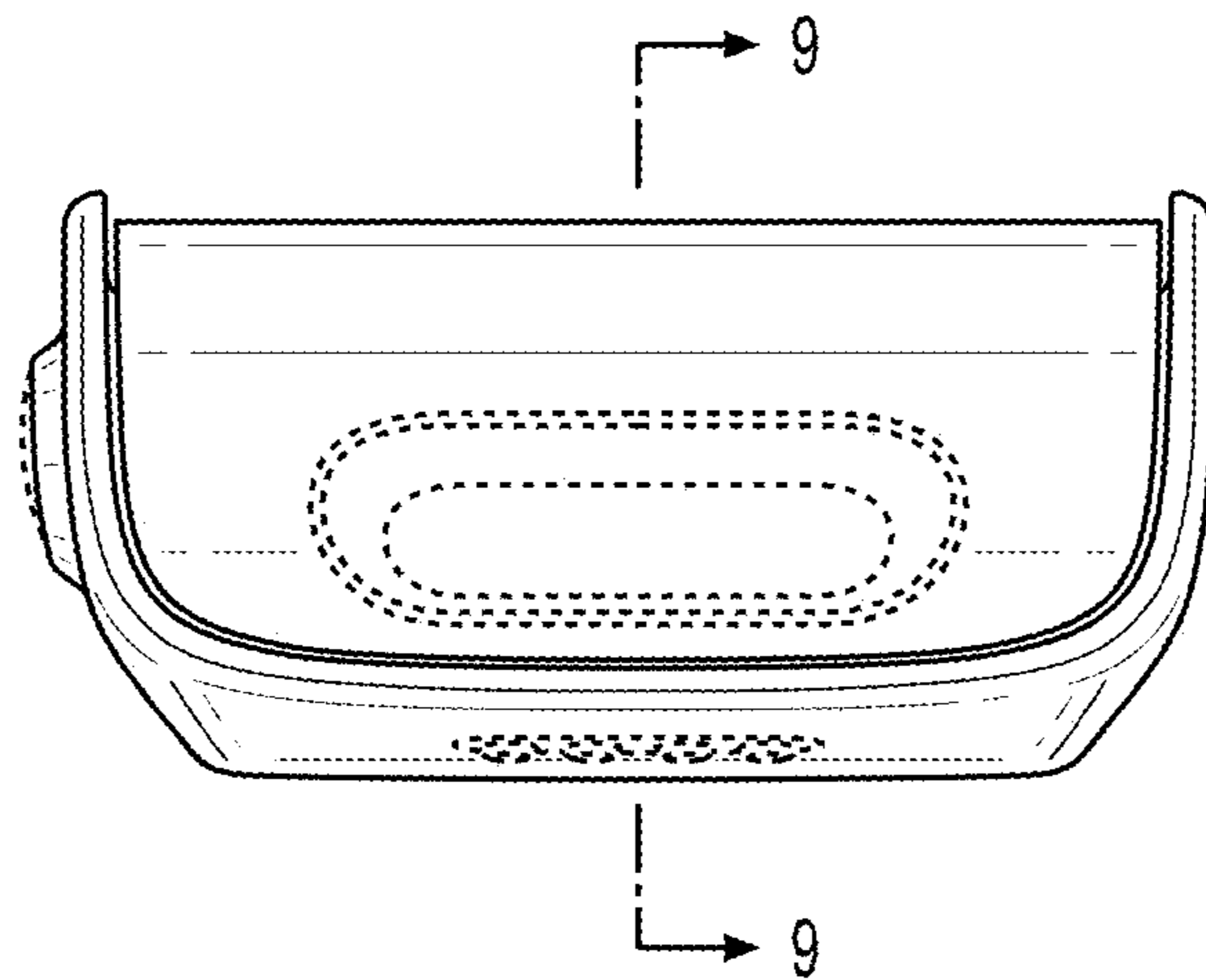
**FIG. 2**



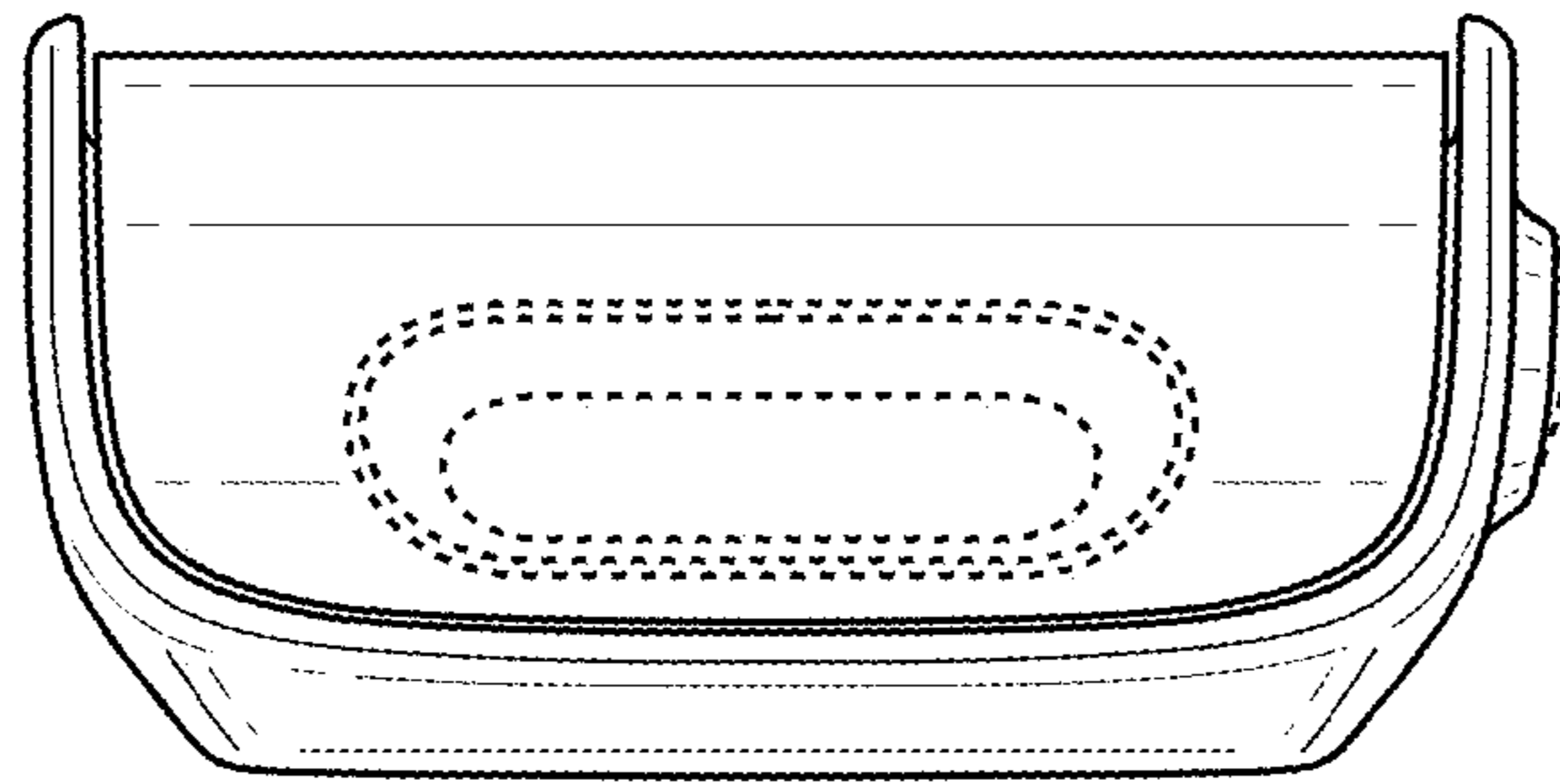
**FIG. 3**



**FIG. 4**

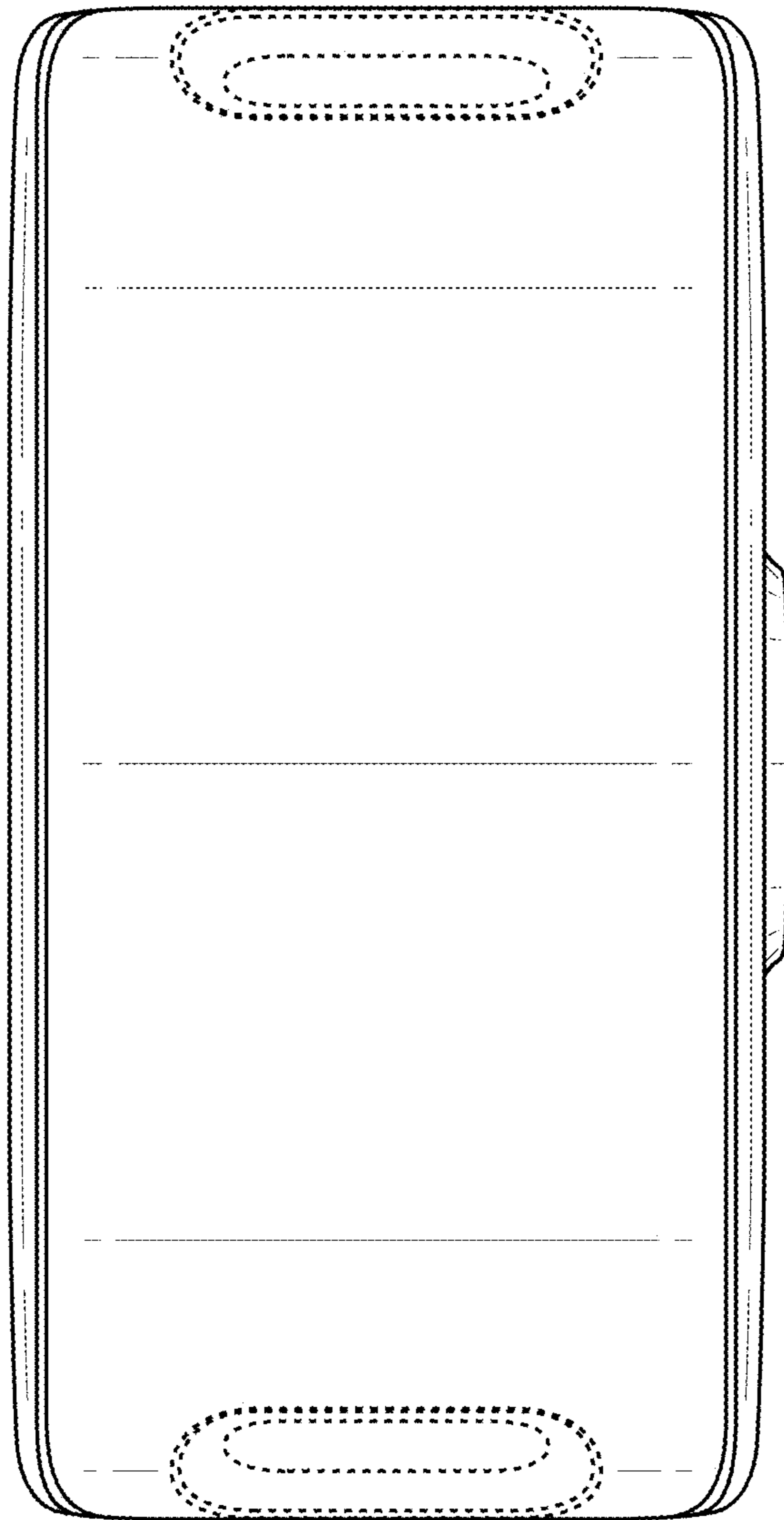


**FIG. 5**

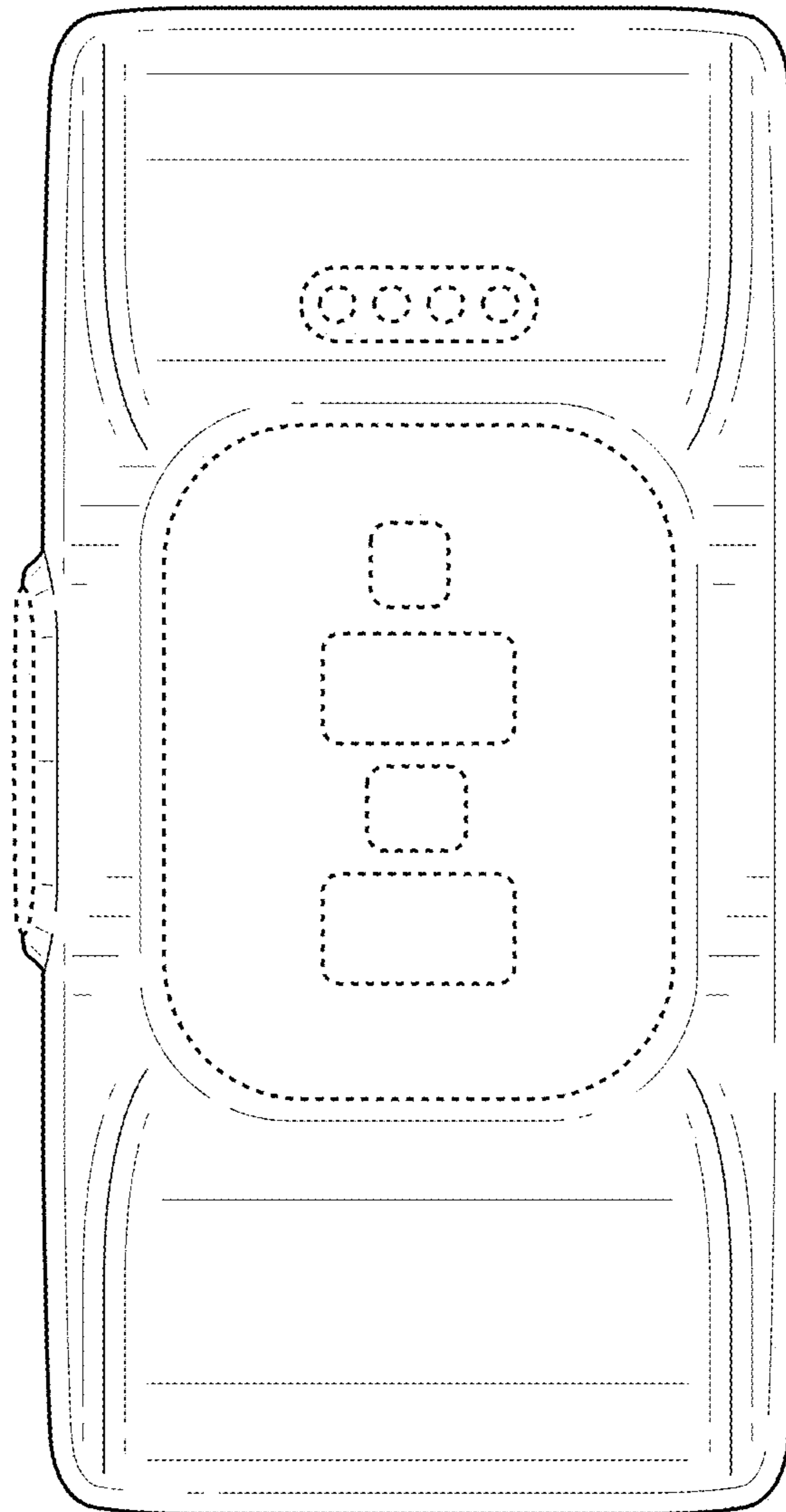


**FIG. 6**

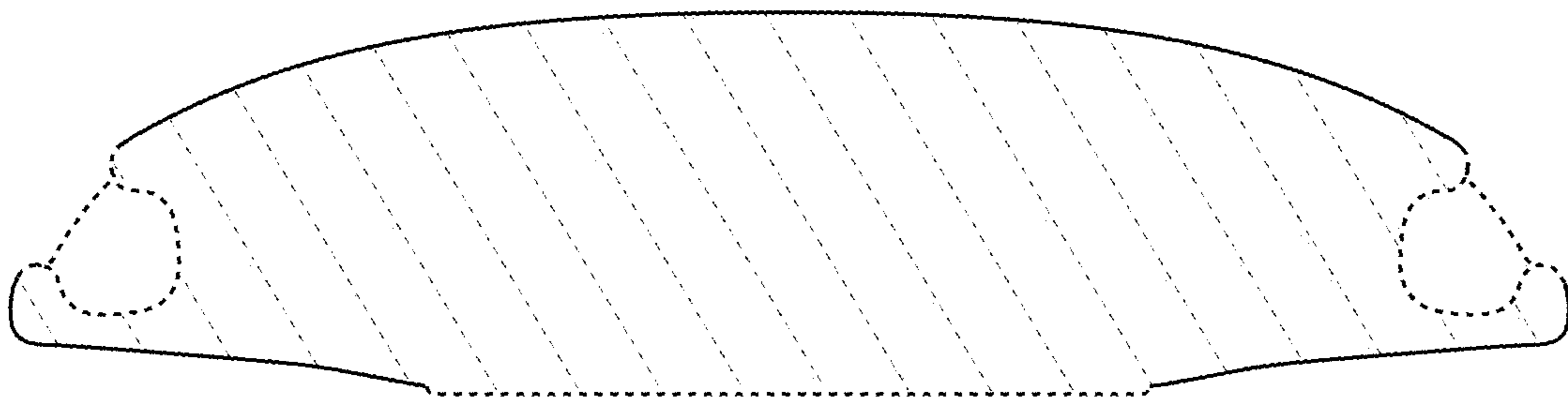




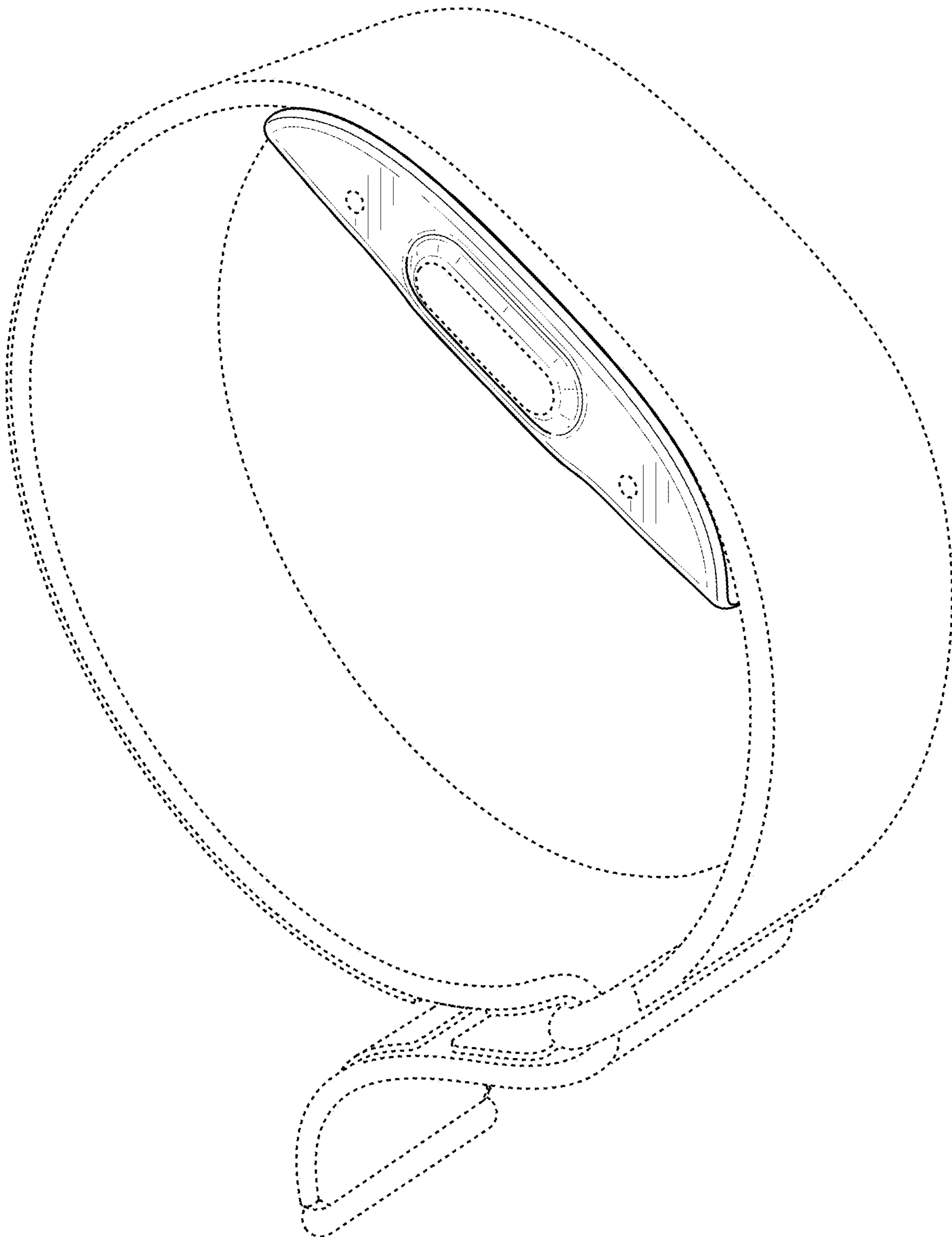
**FIG. 7**



**FIG. 8**



**FIG. 9**



**FIG. 10**