

US00D960148S

(12) **United States Design Patent**
Andersson et al.

(10) **Patent No.:** **US D960,148 S**
(45) **Date of Patent:** **** Aug. 9, 2022**

(54) **COMPUTER**

(71) Applicant: **Siemens Aktiengesellschaft**, Munich (DE)

(72) Inventors: **Jan Andersson**, Erlangen (DE); **Nina Wendt**, Erlangen/Bayern (DE)

(73) Assignee: **Siemens Aktiengesellschaft**, Munich (DE)

(**) Term: **15 Years**

(21) Appl. No.: **29/689,953**

(22) Filed: **May 3, 2019**

(30) **Foreign Application Priority Data**

Nov. 5, 2018 (EM) 005816600

(51) **LOC (13) Cl.** **14-02**

(52) **U.S. Cl.**
USPC **D14/314**; D13/179

(58) **Field of Classification Search**
USPC D14/314, 316, 140.1, 140.2, 240, 242,
D14/301-302, 308, 348-349, 351-359,
(Continued)

(56) **References Cited**

U.S. PATENT DOCUMENTS

D276,336 S * 11/1984 Kaeo D14/225
D286,770 S * 11/1986 Melcher D13/126
(Continued)

FOREIGN PATENT DOCUMENTS

CN 305321279 * 8/2019
EP 001235741-0001 * 10/2010
(Continued)

OTHER PUBLICATIONS

Simatic IPC127E Industrial PC, Siemens, siemens.com, author unlisted, published on Jul. 10, 2019 © 2020, online, site visited Aug. 22, 2020. Available from Internet, URL: <https://new.siemens.com/global/en/products/automation/pc-based/iot-gateways/simatic-ipc127e.html> (Year: 2019).*

(Continued)

Primary Examiner — Sandra Snapp

Assistant Examiner — Altaira J Swangin

(74) *Attorney, Agent, or Firm* — Henry M. Feiereisen LLC

(57) **CLAIM**

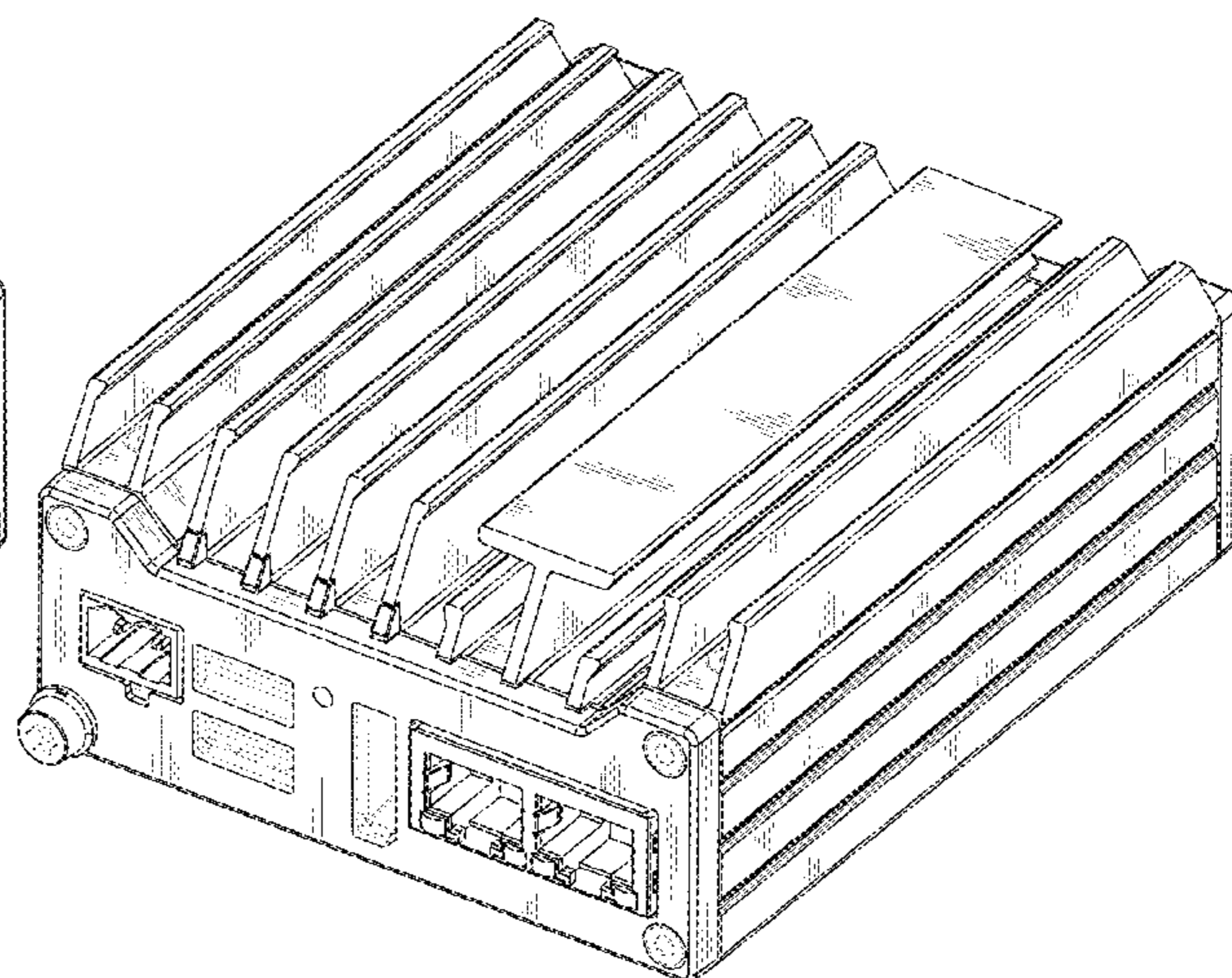
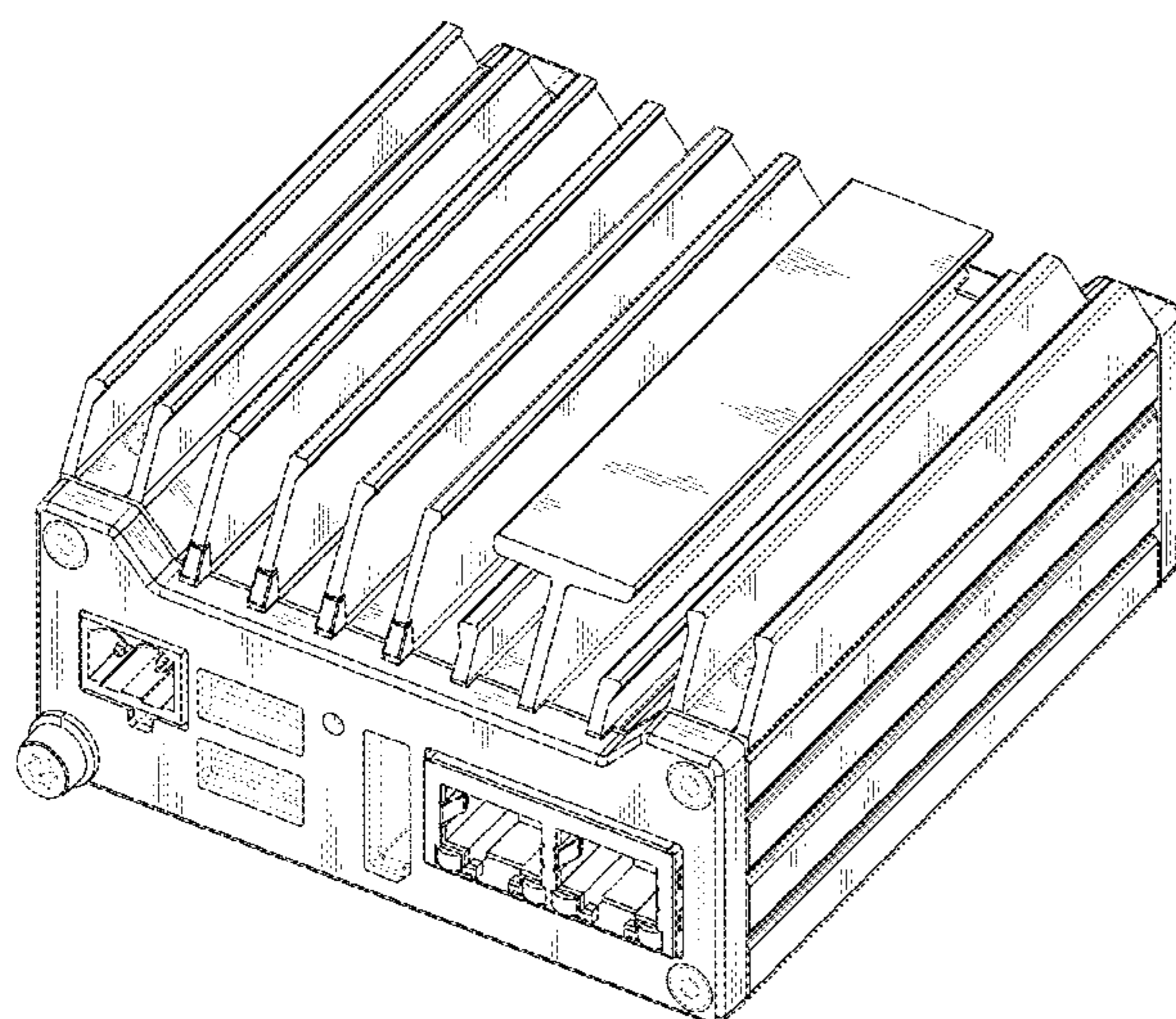
The ornamental design for a computer, as shown and described.

DESCRIPTION

FIG. 1 is a front view of a first embodiment of a computer, showing our new design;
FIG. 2 is a rear view thereof;
FIG. 3 is a top view thereof;
FIG. 4 is a bottom view thereof;
FIG. 5 is a right side view thereof;
FIG. 6 is a left side view thereof;
FIG. 7 is a top, front and right side perspective view thereof;
FIG. 8 is a front view of a second embodiment of a computer, showing our new design;
FIG. 9 is a rear view thereof;
FIG. 10 is a top view thereof;
FIG. 11 is a bottom view thereof;
FIG. 12 is a right side view thereof;
FIG. 13 is a left side view thereof; and,
FIG. 14 is a top, front and right side perspective view thereof.

Those portions of the drawings that are shown in broken lines form no part of the claimed design.

1 Claim, 14 Drawing Sheets



(58) **Field of Classification Search**

USPC D14/440-441, 444, 446, 447, 353-355,
 D14/433-435; D23/335, 364-365, 382,
 D23/400; D13/162, 184, 139.4, 146-147,
 D13/123, 179, 158, 160; 206/706-707,
 206/721-725; 211/134, 182; D6/317,
 D6/654.11, 654.18; D34/23;
 D9/741-745, 747, 776; D25/4, 113, 119
 CPC H05K 5/00; H05K 5/0213; H05K 5/03;
 H05K 7/14; H05K 9/00; H05K 7/1487;
 H05K 7/1489; H05K 9/0062; H05K 7/16;
 H01R 24/64; H01R 13/6205; H01R
 13/6658; H01R 13/514

See application file for complete search history.

(56) **References Cited**

U.S. PATENT DOCUMENTS

D299,127 S * 12/1988 Boguss D13/137.3
 D329,639 S * 9/1992 Arvanitakis D13/133
 D337,114 S * 7/1993 Mantz D13/184
 D370,209 S * 5/1996 Fernandez D14/355
 D373,572 S * 9/1996 Orton D13/179
 D376,132 S * 12/1996 Orton D13/179
 D403,666 S * 1/1999 Maack D13/179
 D416,903 S * 11/1999 Kizawa D14/188
 D428,006 S * 7/2000 Sagues D14/356
 D428,392 S * 7/2000 Mizutani D13/179
 D445,803 S * 7/2001 Ratto D15/5
 D450,044 S * 11/2001 Lindstrom D13/179
 D508,047 S * 8/2005 Taniho D14/314
 D556,810 S * 12/2007 Miyauchi D16/221
 D633,632 S * 3/2011 Culbert D26/24
 D642,136 S * 7/2011 Yu D13/179
 D642,137 S * 7/2011 Yu D13/179
 D642,138 S * 7/2011 Yu D13/179
 D642,139 S * 7/2011 Yu D13/179

D642,140 S * 7/2011 Yu D13/179
 D642,993 S * 8/2011 Yu D13/179
 D673,145 S * 12/2012 Andersson D14/314
 D684,151 S * 6/2013 Andersson D14/314
 D698,347 S * 1/2014 Andersson D14/314
 D707,197 S * 6/2014 Jaenecke D14/157
 D737,241 S * 8/2015 Duran D14/188
 D798,856 S * 10/2017 Menendez D14/313
 D799,474 S * 10/2017 Menendez D14/313
 D807,872 S * 1/2018 Nomoto D14/314
 D809,515 S * 2/2018 Nada D14/356
 D851,159 S * 6/2019 Guo D16/221
 D860,191 S * 9/2019 Gao D14/301
 D868,875 S * 12/2019 Guo D16/221
 D889,418 S * 7/2020 Handt D13/160
 D894,892 S * 9/2020 Andersson D14/300
 D896,218 S * 9/2020 Gao D14/301
 D904,362 S * 12/2020 Menendez D14/240
 D914,023 S * 3/2021 Yang D14/434
 D918,882 S * 5/2021 Andersson D14/240

FOREIGN PATENT DOCUMENTS

EP 001235741-0002 * 10/2010
 EP 001235741-0003 * 10/2010
 EP 004153187-0001 * 9/2017
 EP 004153187-0002 * 9/2017
 EP 005816600-0001 * 11/2018
 EP 005816600-0002 * 11/2018

OTHER PUBLICATIONS

MintBox Mini 2, Linux, news.softpedia.com, published by Marius Nestor on Jun. 28, 2018 © 2001-2021 Softpedia, online, site visited Feb. 24, 2021. Available from Internet, URL: <https://news.softpedia.com/news/mintbox-mini-2-computer-is-ready-for-shipping-with-linux-mint-19-521758.shtml> (Year: 2018).*

* cited by examiner

FIG. 1

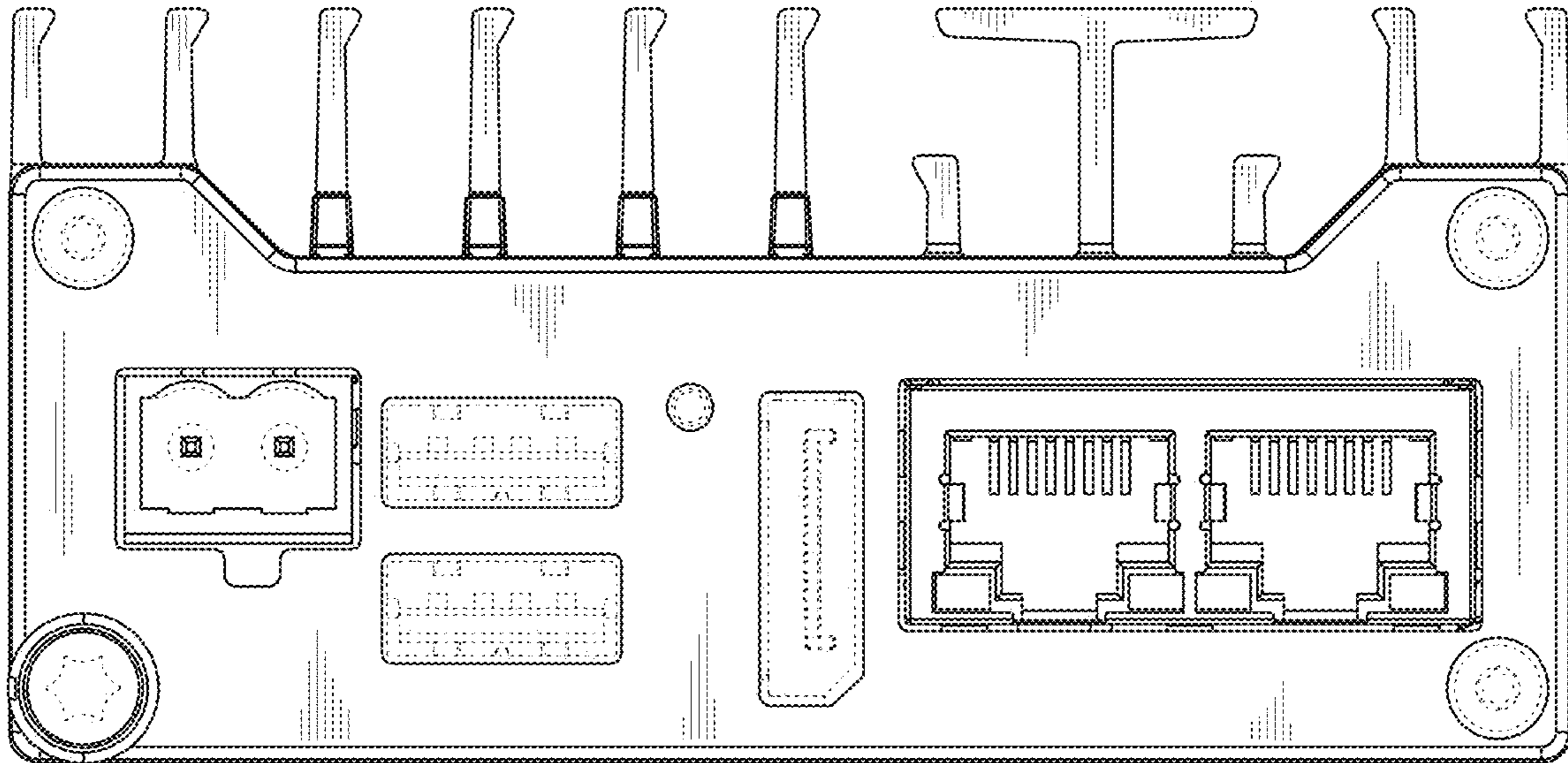


FIG. 2

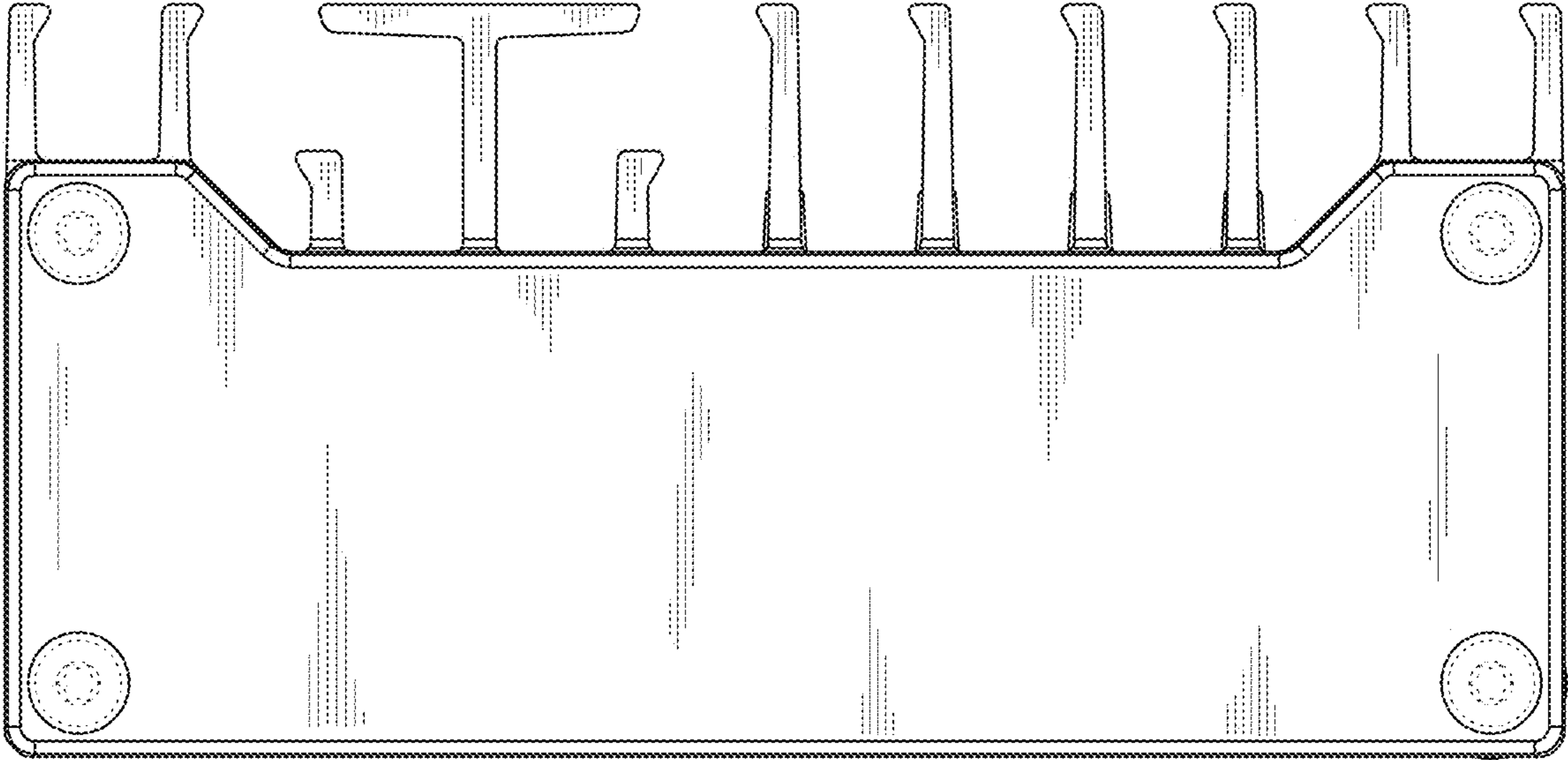


FIG. 3

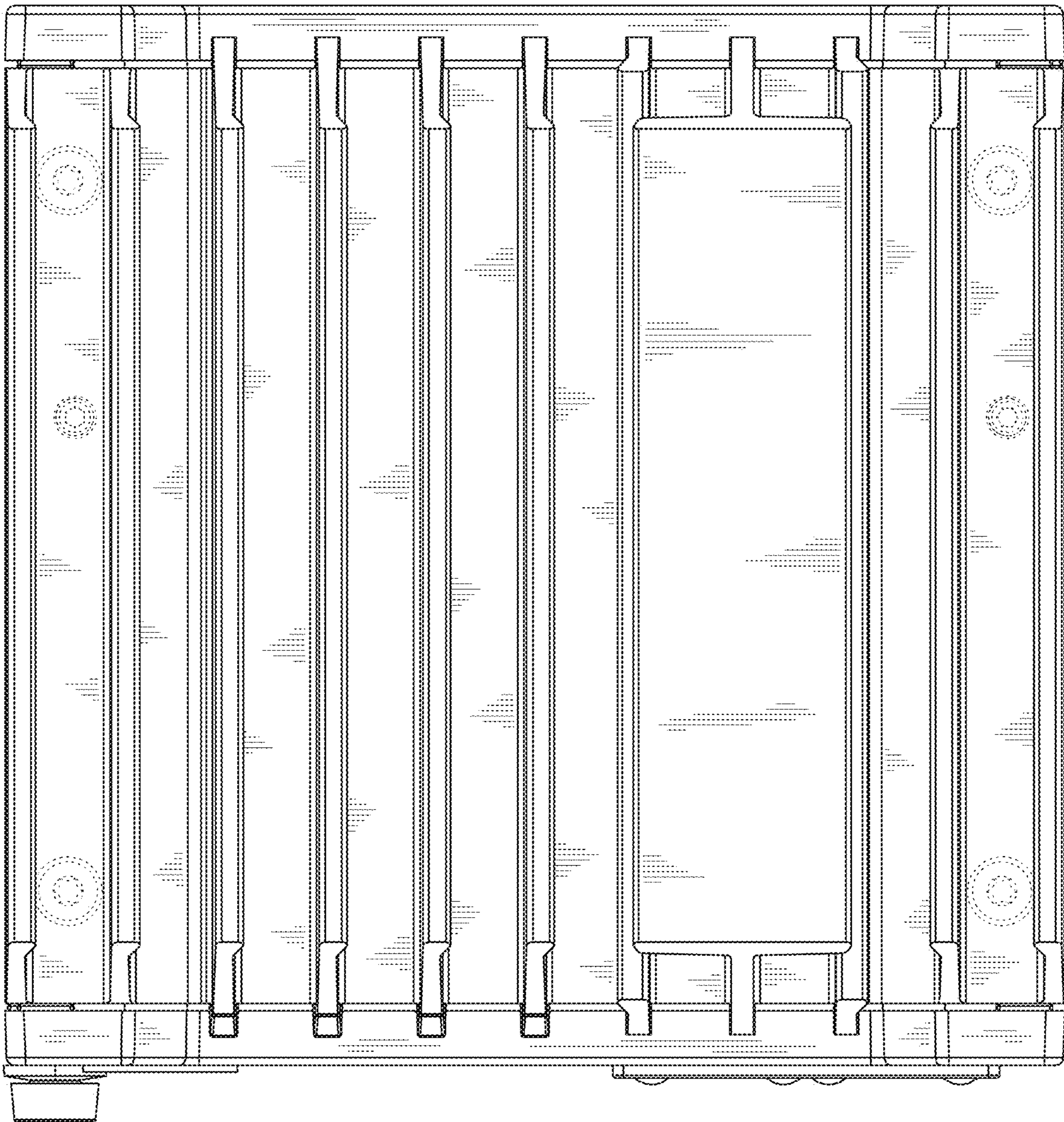


FIG. 4

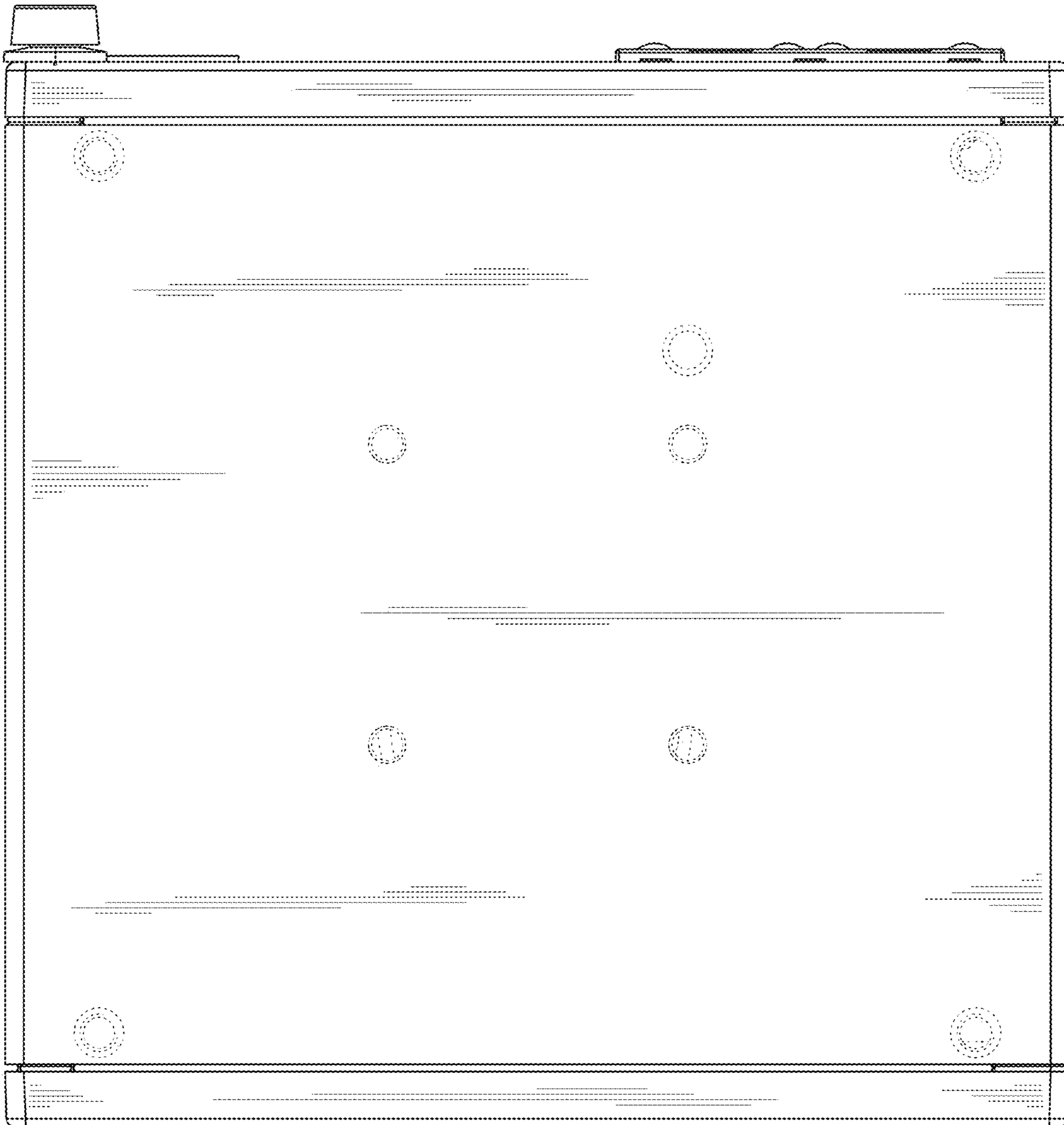


FIG. 5

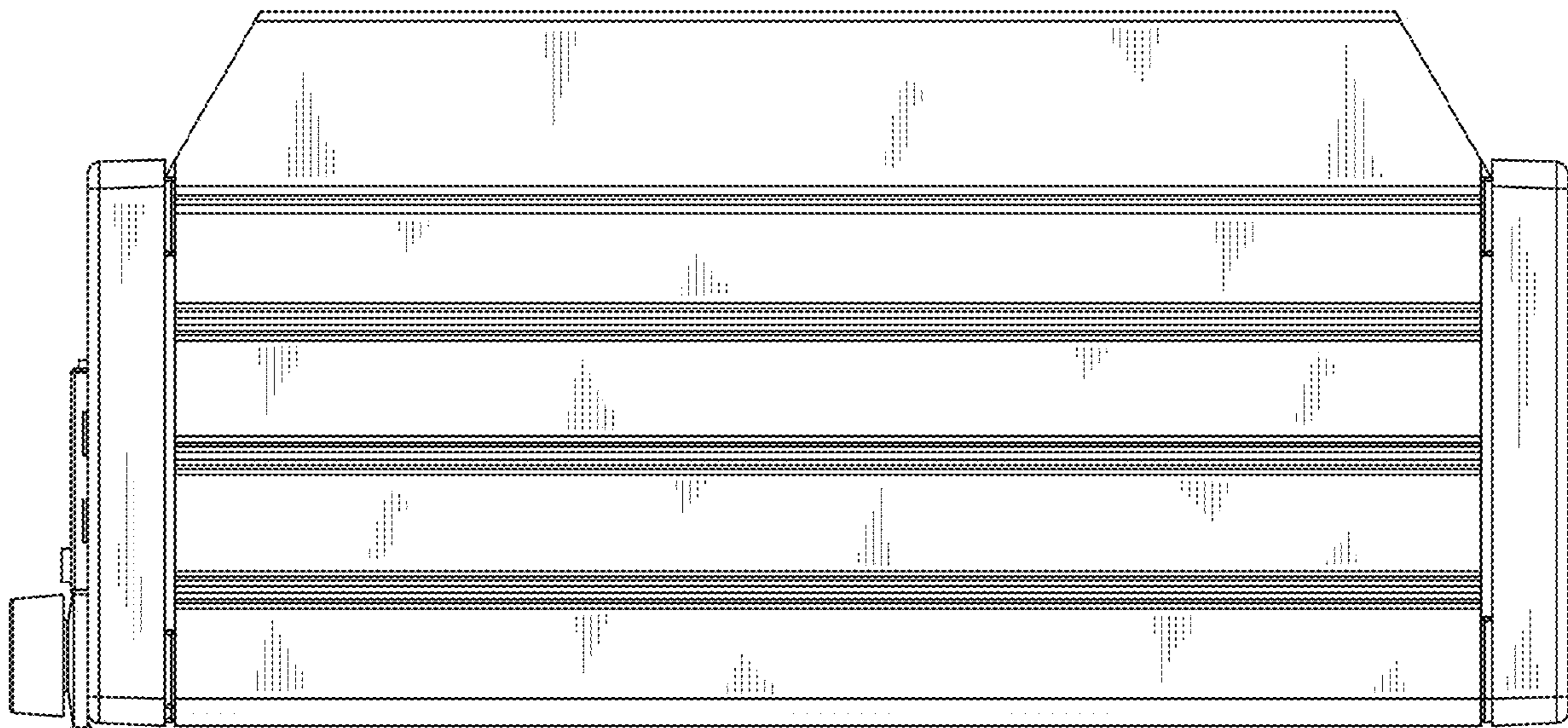


FIG. 6

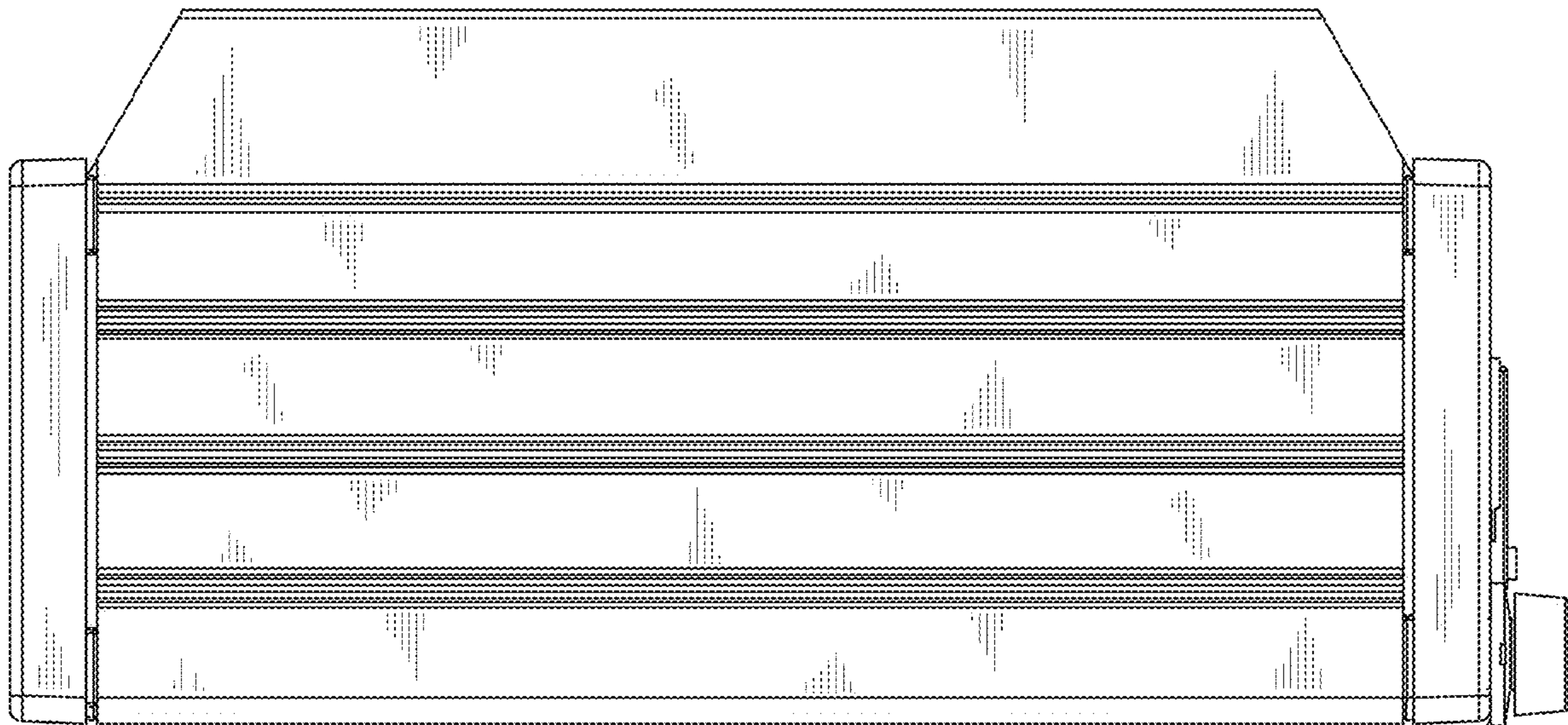


FIG. 7

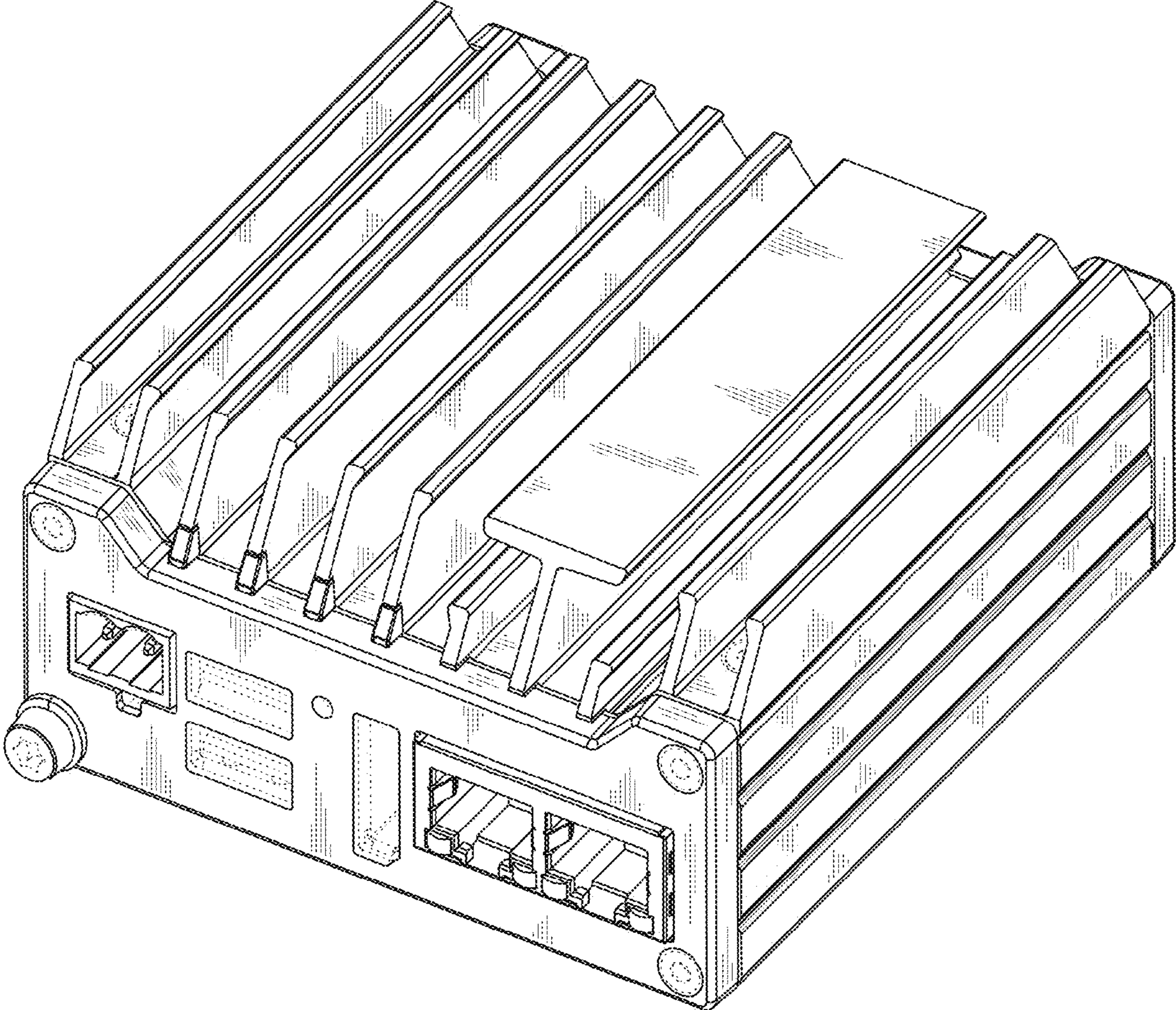


FIG. 8

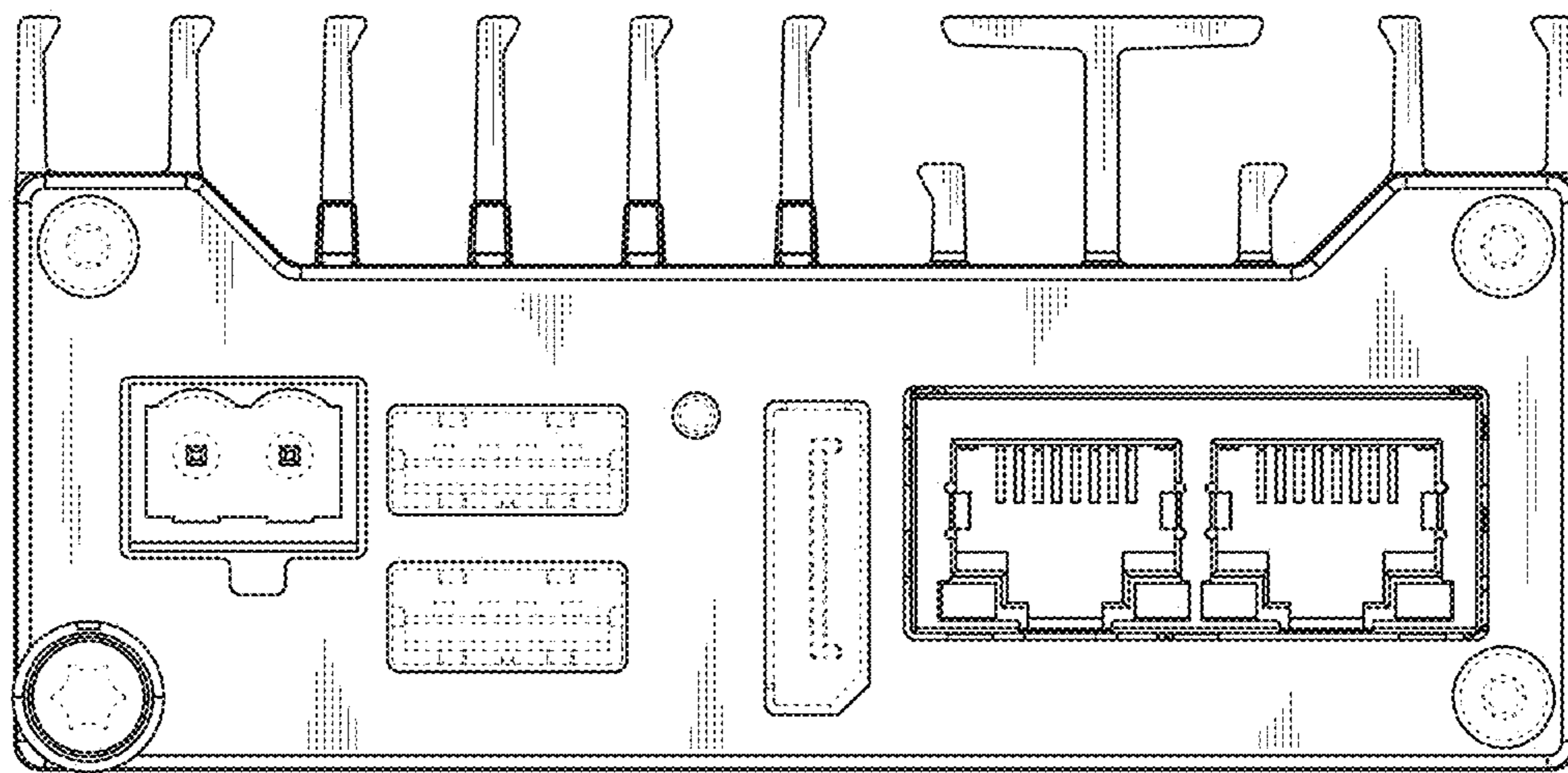


FIG. 9

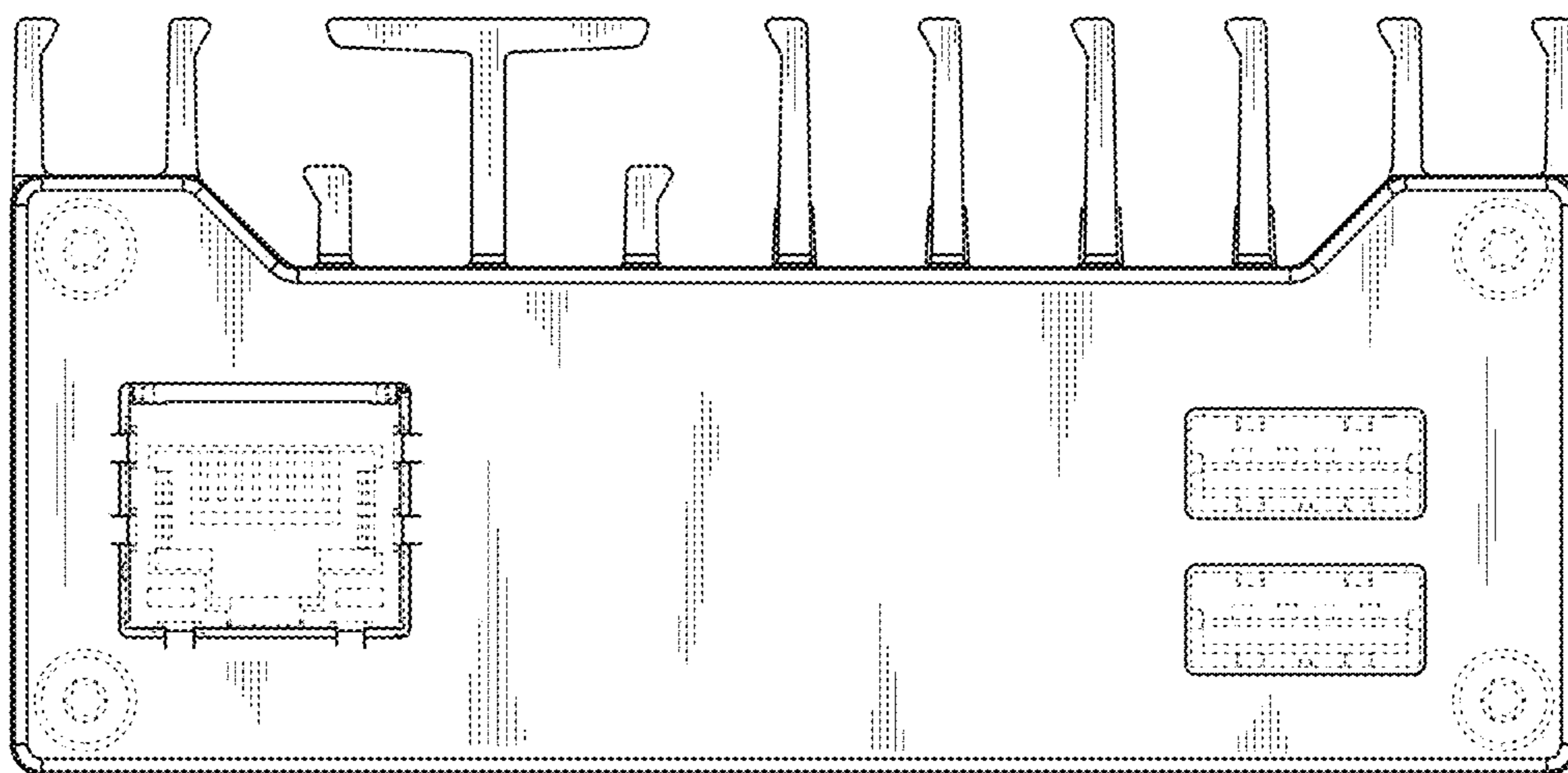


FIG. 10

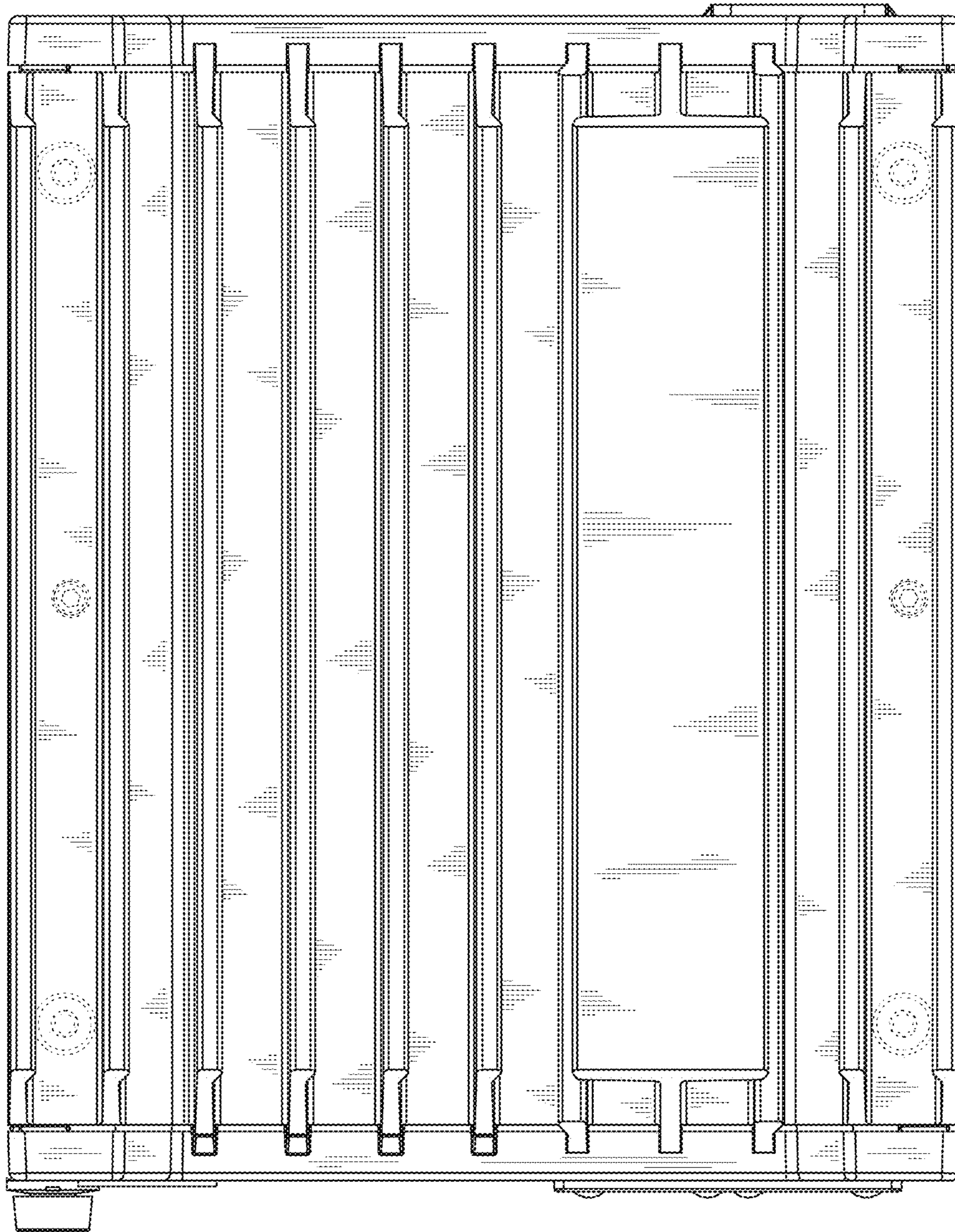


FIG. 11

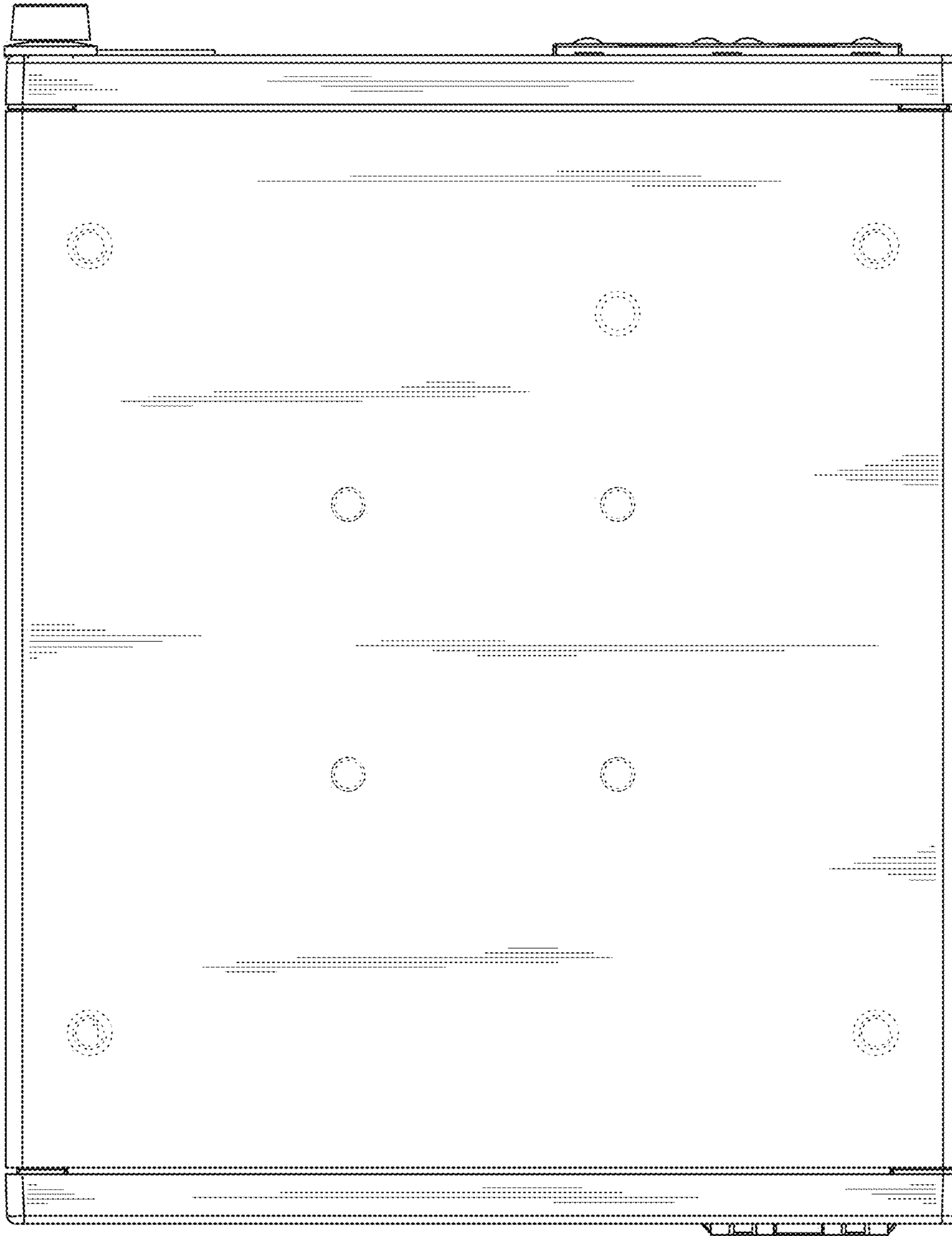


FIG. 12

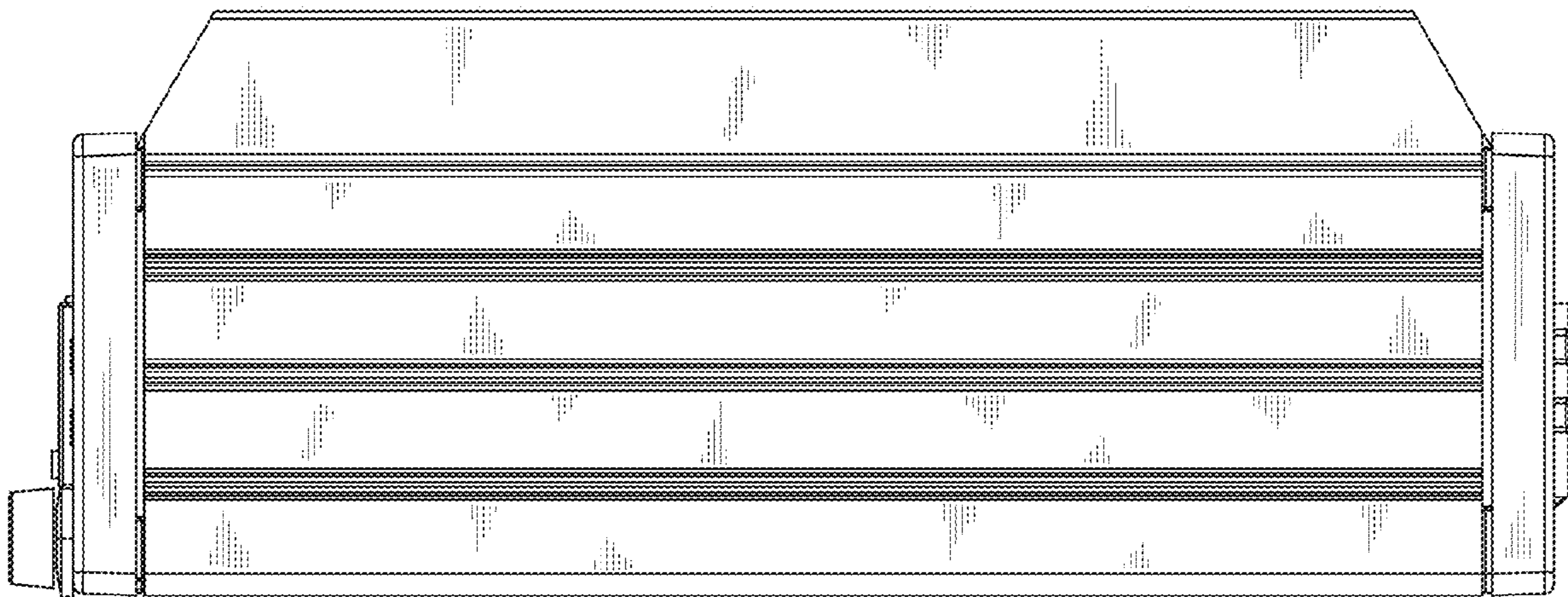


FIG. 13

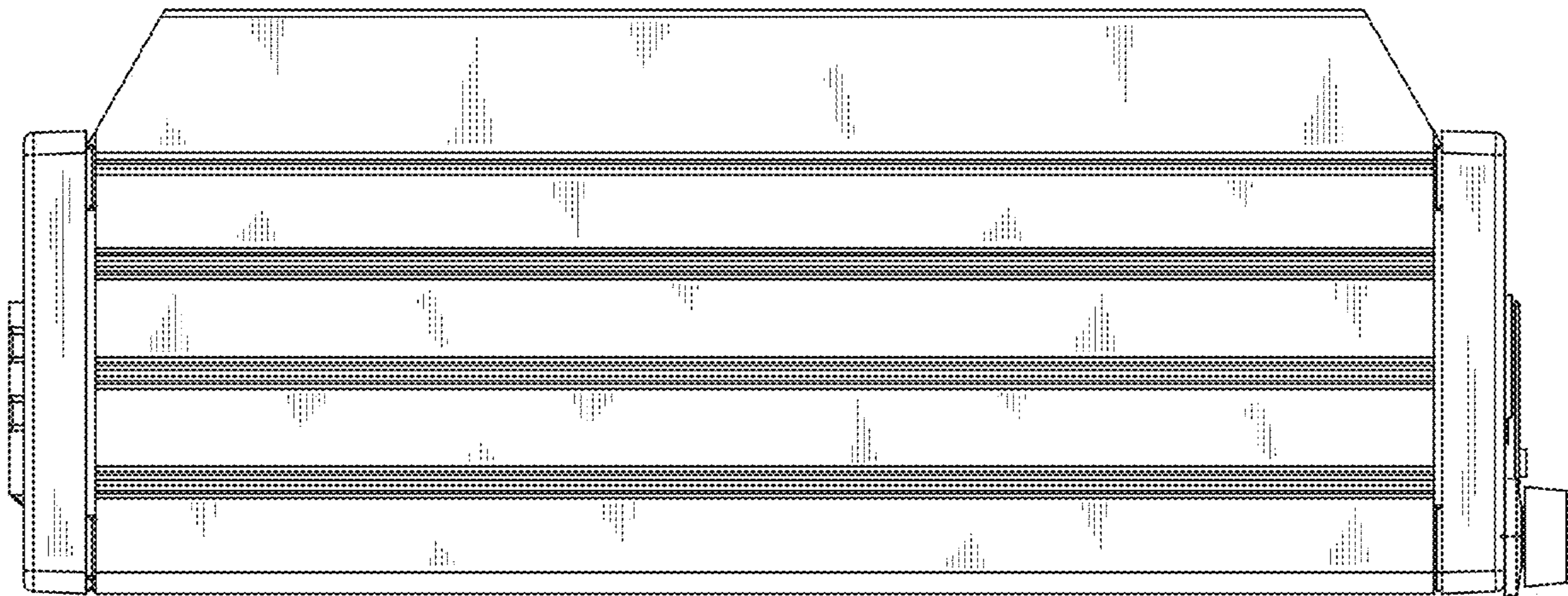


FIG. 14

