



US00D960145S

(12) **United States Design Patent**
Zhou

(10) **Patent No.:** **US D960,145 S**

(45) **Date of Patent:** **** Aug. 9, 2022**

(54) **MOBILE PHONE HOLDER**
(71) Applicant: **Dongguanshi Zhuoshi Intelligent Tech Co., Ltd, Dongguan (CN)**

(72) Inventor: **WenShu Zhou, Heyuan (CN)**

(73) Assignee: **Dongguanshi Zhuoshi Intelligent Tech Co., Ltd, Dongguan (CN)**

(**) Term: **15 Years**

(21) Appl. No.: **29/823,763**

(22) Filed: **Jan. 19, 2022**

(51) **LOC (13) Cl.** **14-03**

(52) **U.S. Cl.**
USPC **D14/253**

(58) **Field of Classification Search**
USPC D14/250, 251-253, 447; D3/218;
D12/415
CPC H04M 1/04; A45C 2011/002; A45C
2011/003
See application file for complete search history.

(56) **References Cited**

U.S. PATENT DOCUMENTS

D870,095 S	*	12/2019	Hu	D14/253
D894,168 S	*	8/2020	Lou	D14/253
D903,652 S	*	12/2020	Qiu	D14/253
D910,612 S	*	2/2021	Xiao	D14/253
D916,694 S	*	4/2021	Xiao	D14/253
D920,320 S	*	5/2021	Huang	
D928,041 S	*	8/2021	Jones	D12/114
D931,270 S	*	9/2021	Qiu	D14/253
D931,849 S	*	9/2021	Qiu	D14/253

D936,645 S	*	11/2021	Deng	D12/114
D947,168 S	*	3/2022	Jiao	D14/253
D947,169 S	*	3/2022	Jiao	D14/253
D949,841 S	*	4/2022	Qiu	D12/407
D949,842 S	*	4/2022	Qiu	D12/407

* cited by examiner

Primary Examiner — Janice Hallmark

(57) **CLAIM**

The ornamental design for a mobile phone holder, as shown and described.

DESCRIPTION

FIG. 1 is a front and top perspective view of a first embodiment of a mobile phone holder, showing my new design;

FIG. 2 is a rear and bottom perspective view thereof;

FIG. 3 is a front elevation view thereof;

FIG. 4 is a rear elevation view thereof;

FIG. 5 is a left side elevation view thereof;

FIG. 6 is a right side elevation view thereof;

FIG. 7 is a top plan view thereof;

FIG. 8 is a bottom plan view thereof;

FIG. 9 is a front and top perspective view of a second embodiment of the mobile phone holder;

FIG. 10 is a rear, and bottom, perspective view thereof;

FIG. 11 is a front view thereof;

FIG. 12 is a rear view thereof;

FIG. 13 is a left side view thereof;

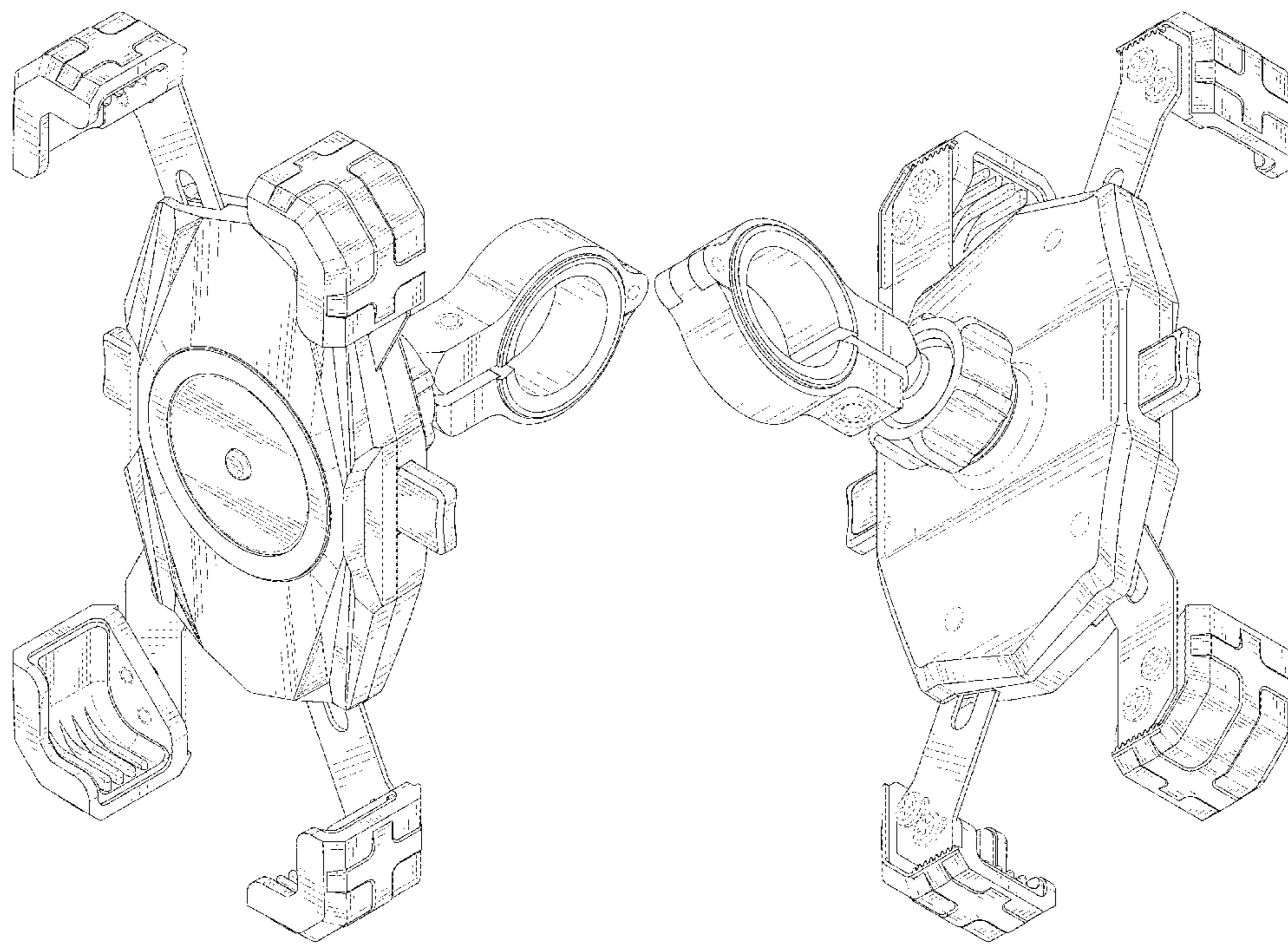
FIG. 14 is a right side view thereof;

FIG. 15 is a top view thereof; and,

FIG. 16 is a bottom view thereof.

The broken lines in the figures illustrate portions of the mobile phone holder that form no part of the claimed design.

1 Claim, 16 Drawing Sheets



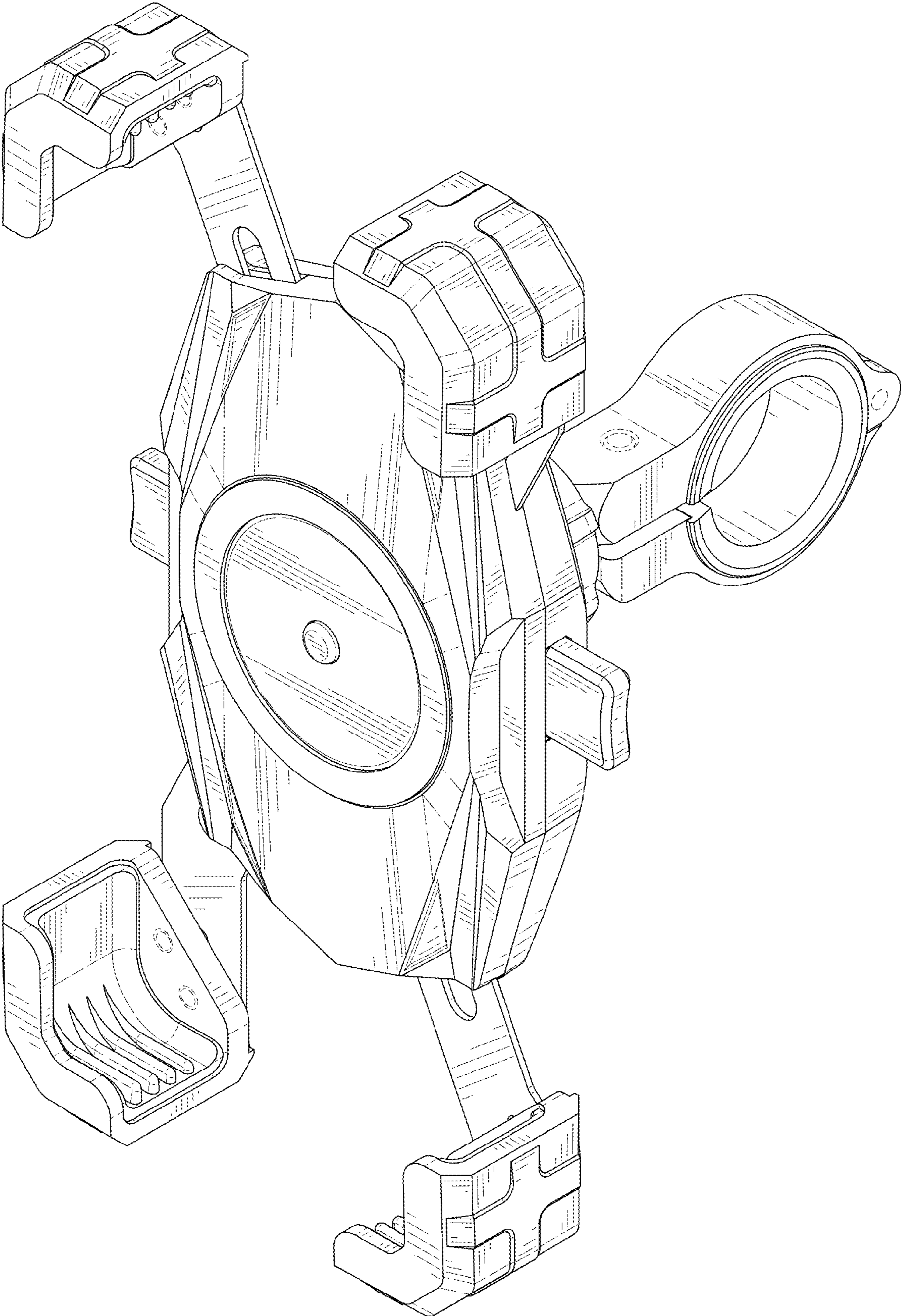


FIG. 1

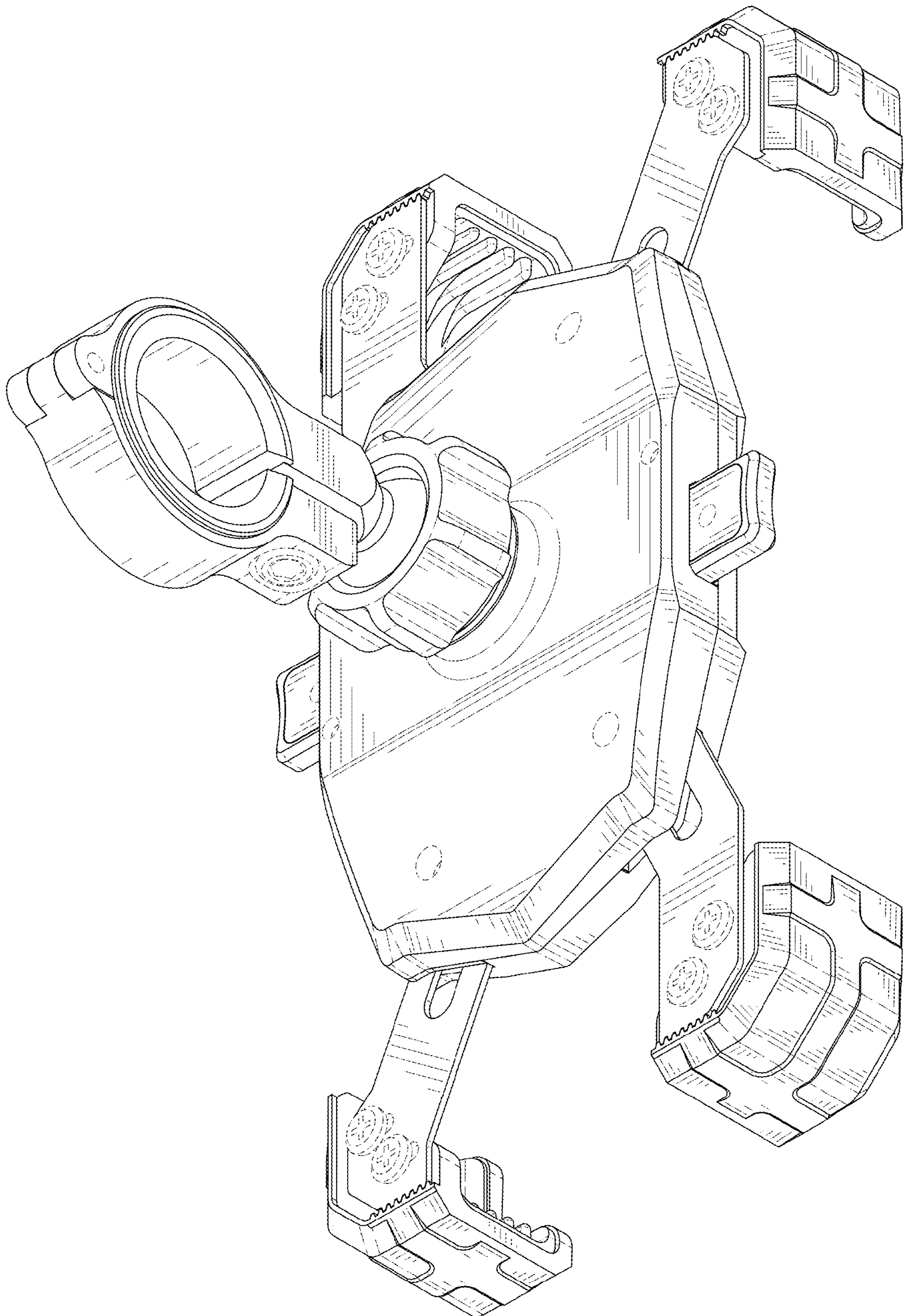


FIG. 2

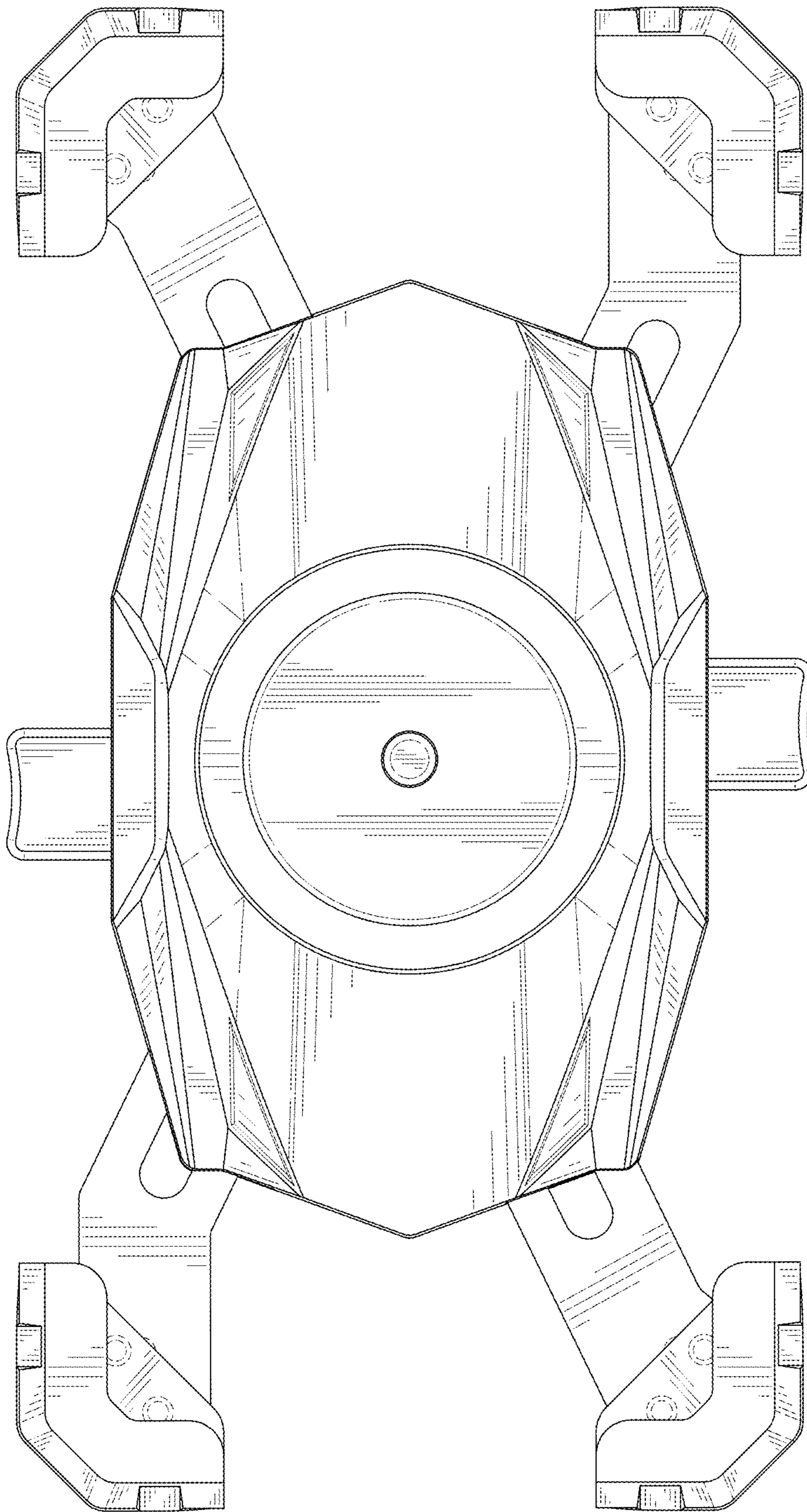


FIG. 3

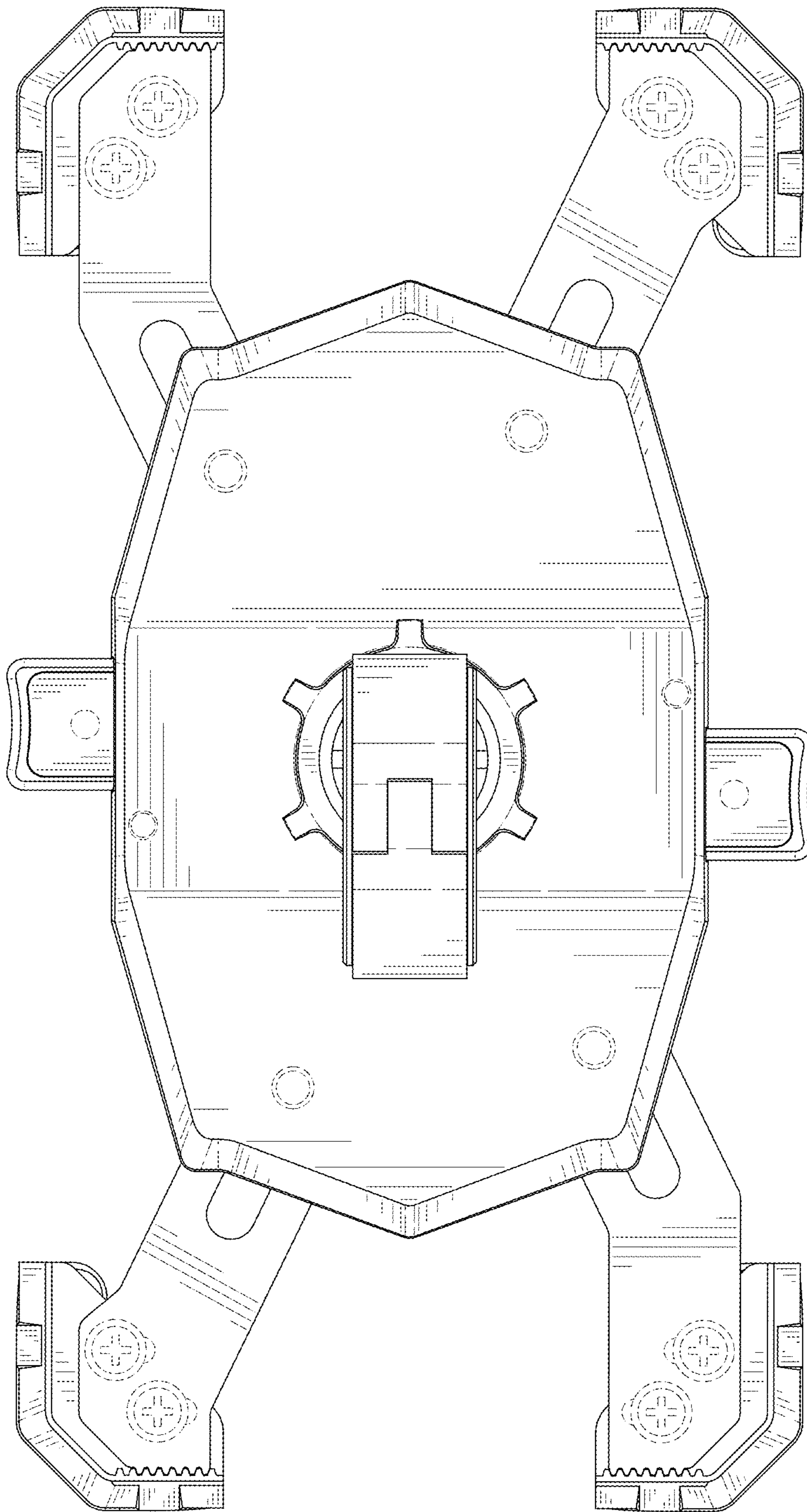


FIG. 4

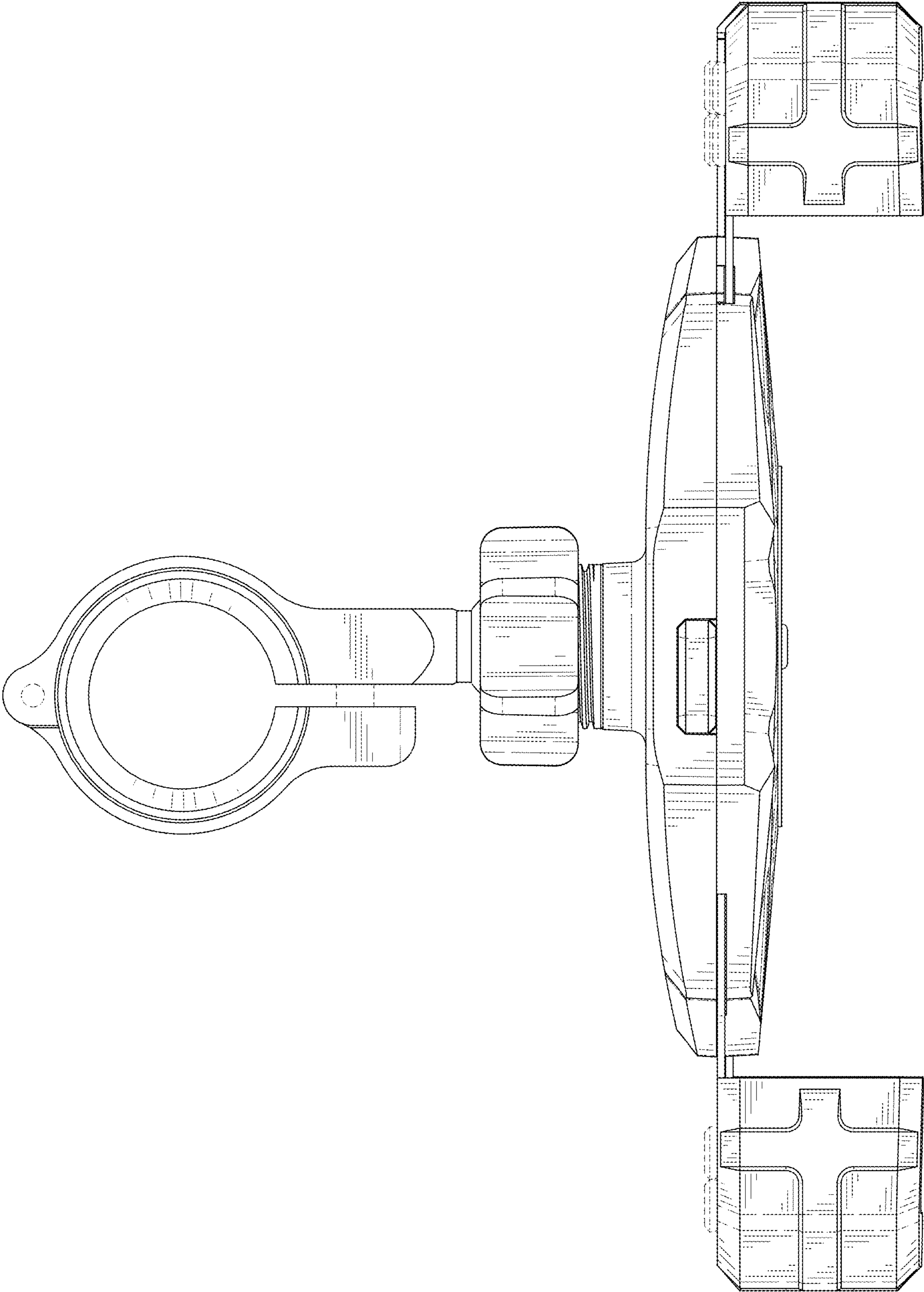


FIG. 5

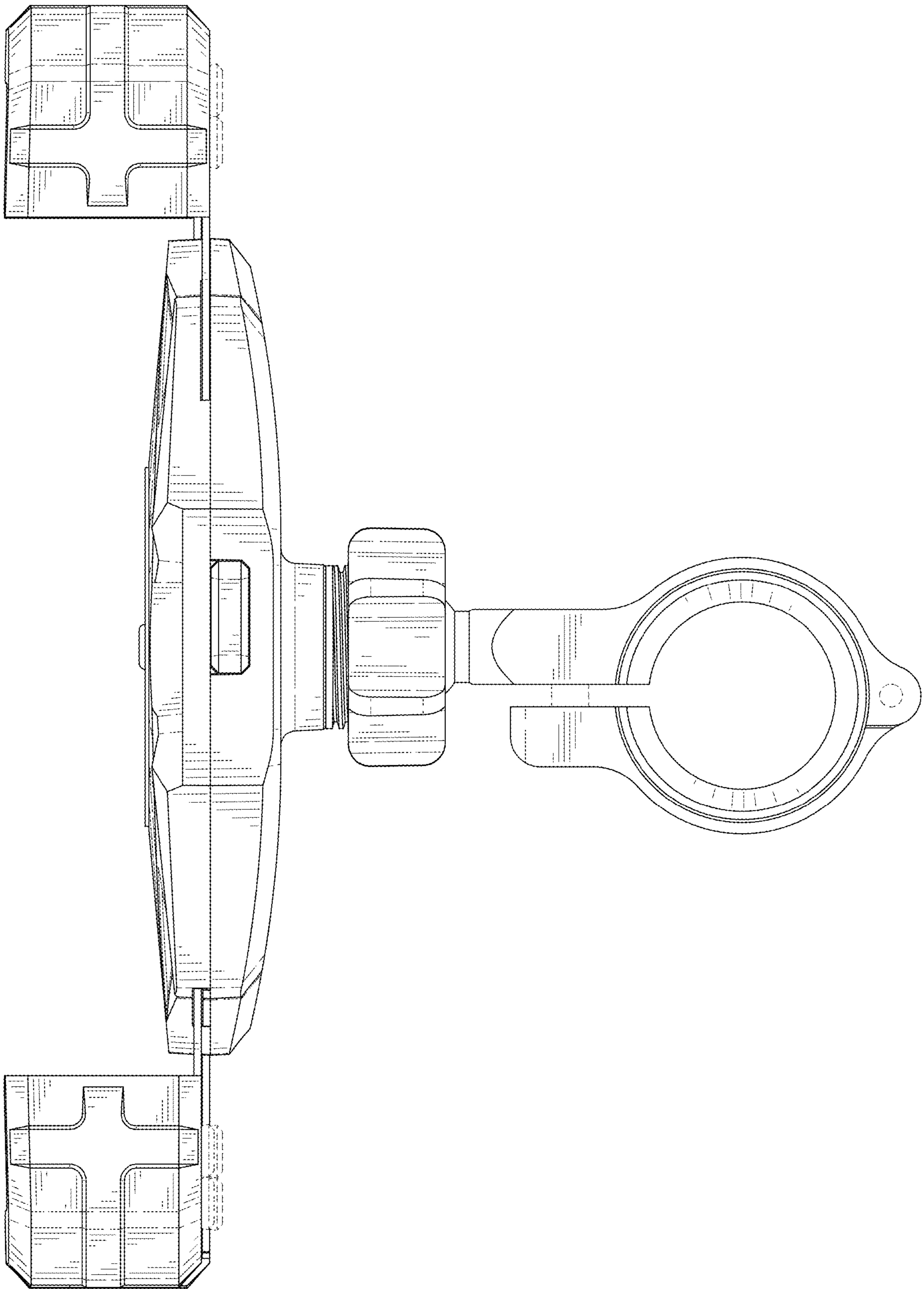


FIG. 6

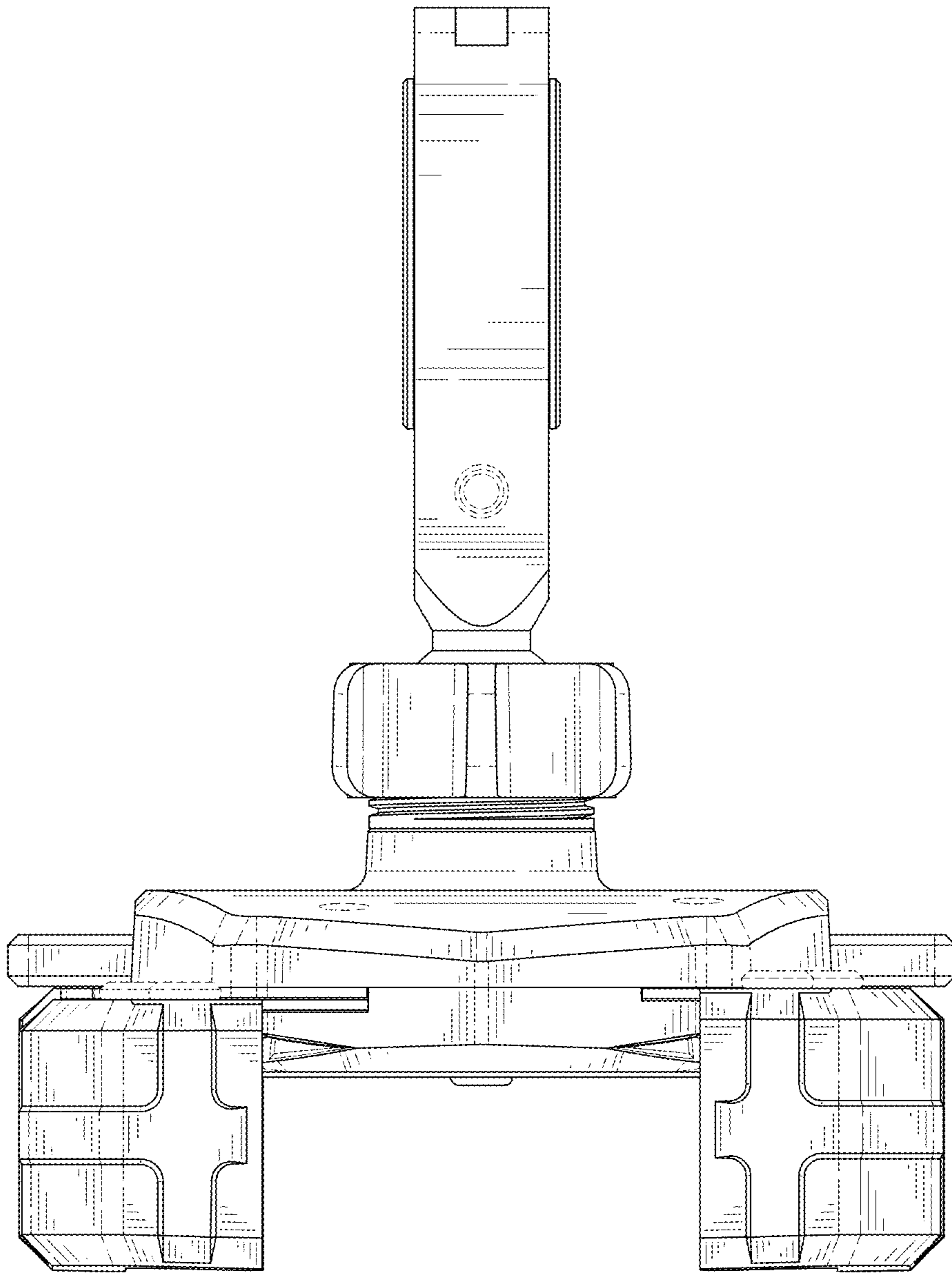


FIG. 7

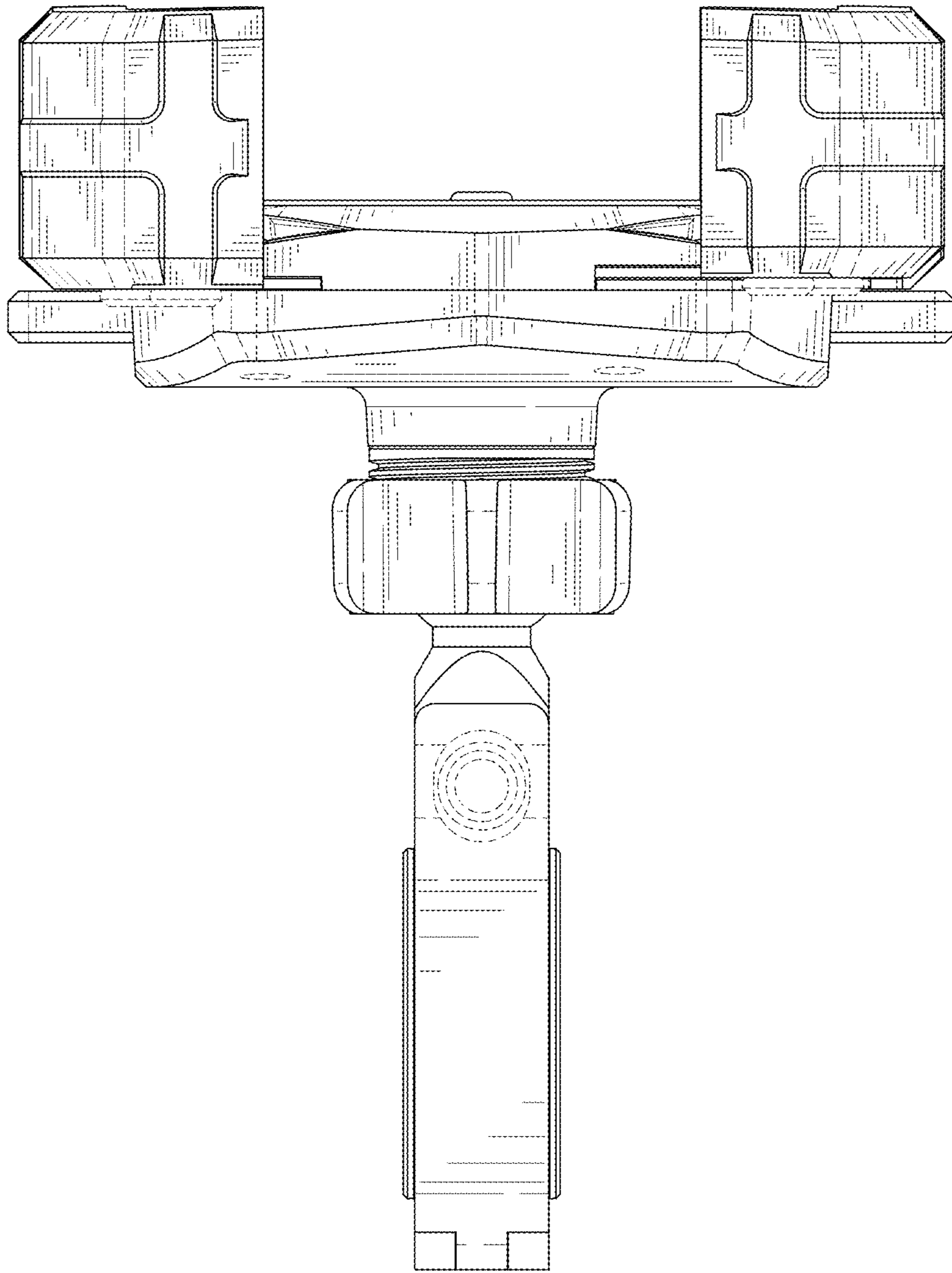


FIG. 8

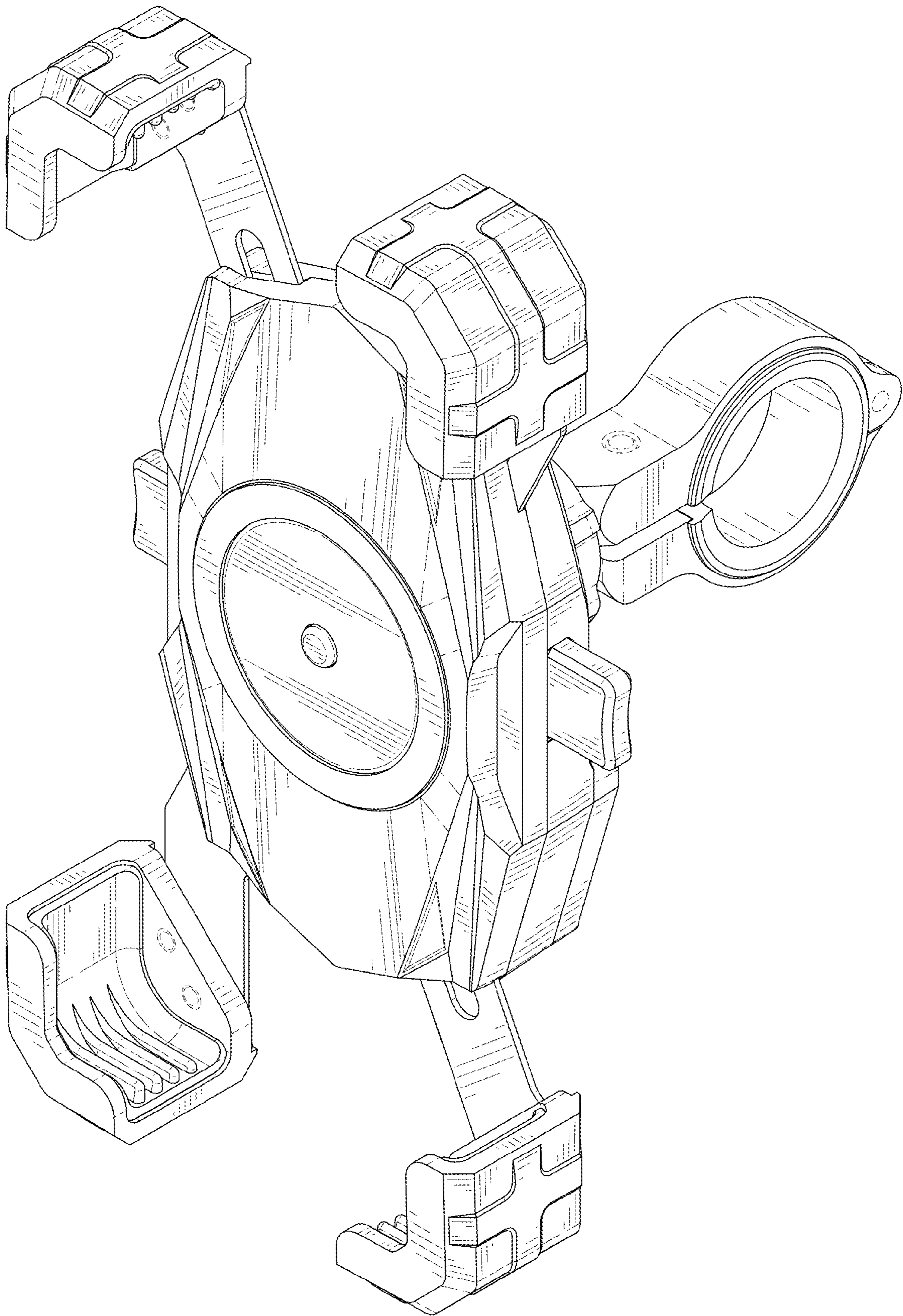


FIG. 9

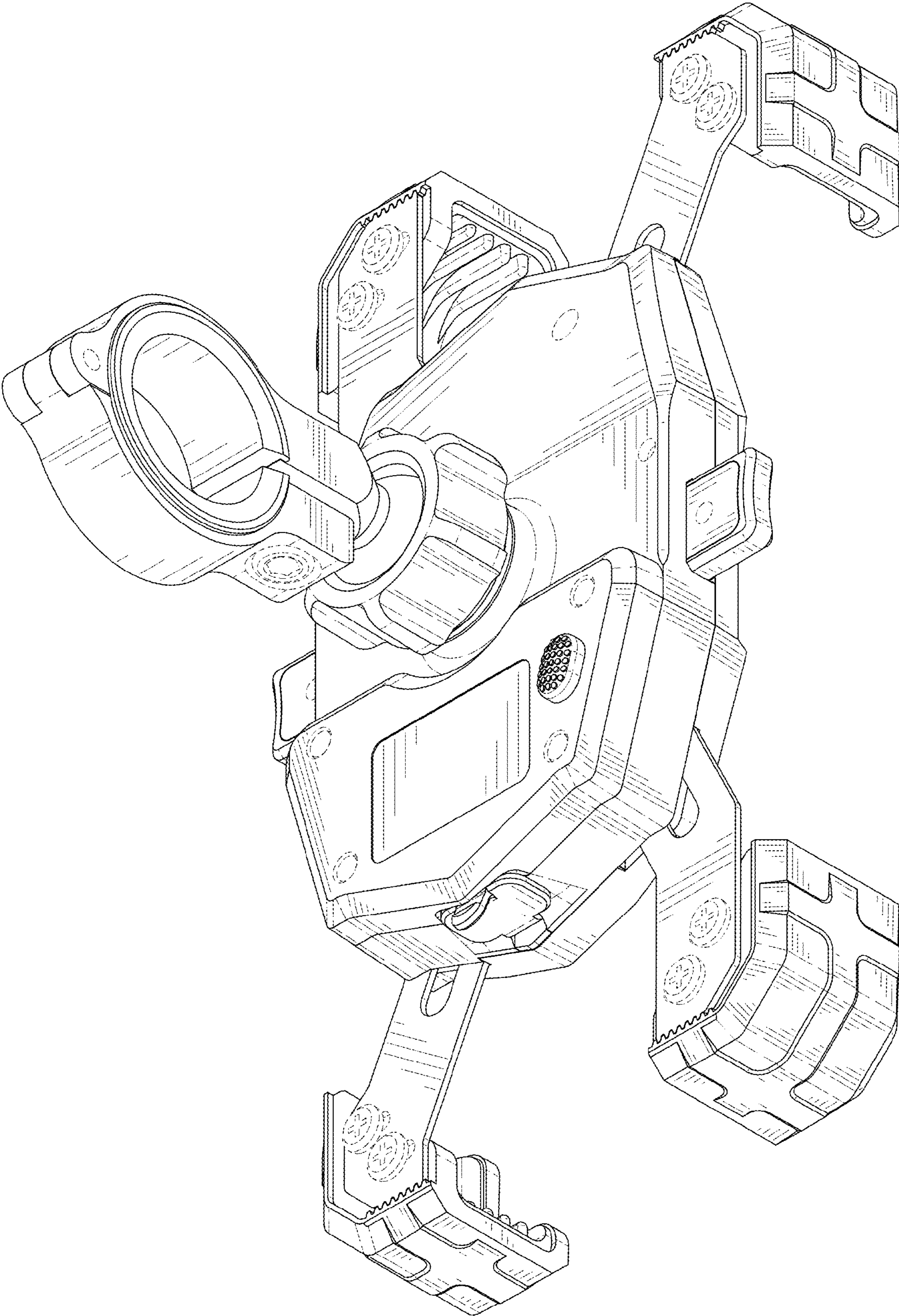


FIG. 10

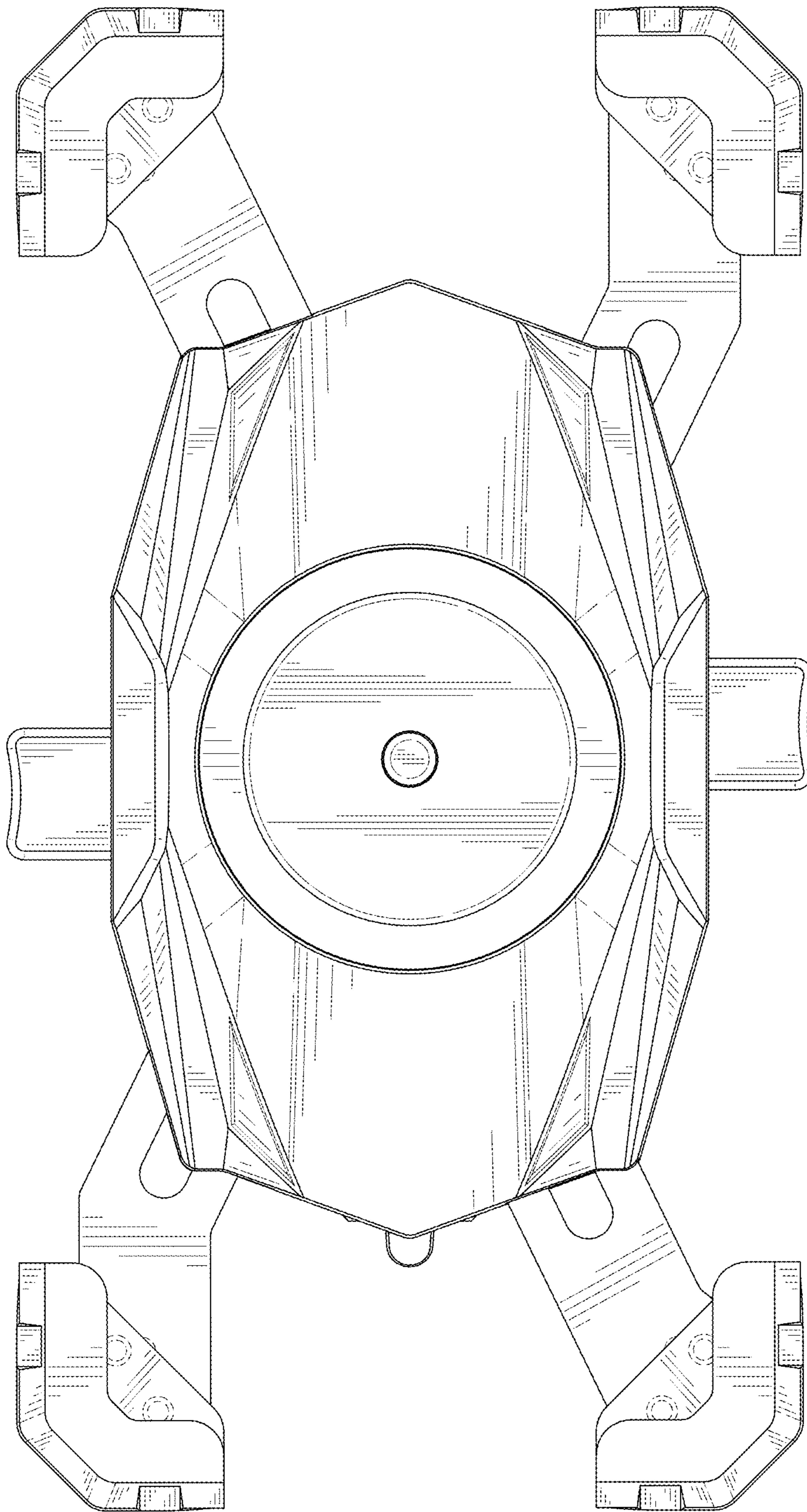


FIG. 11

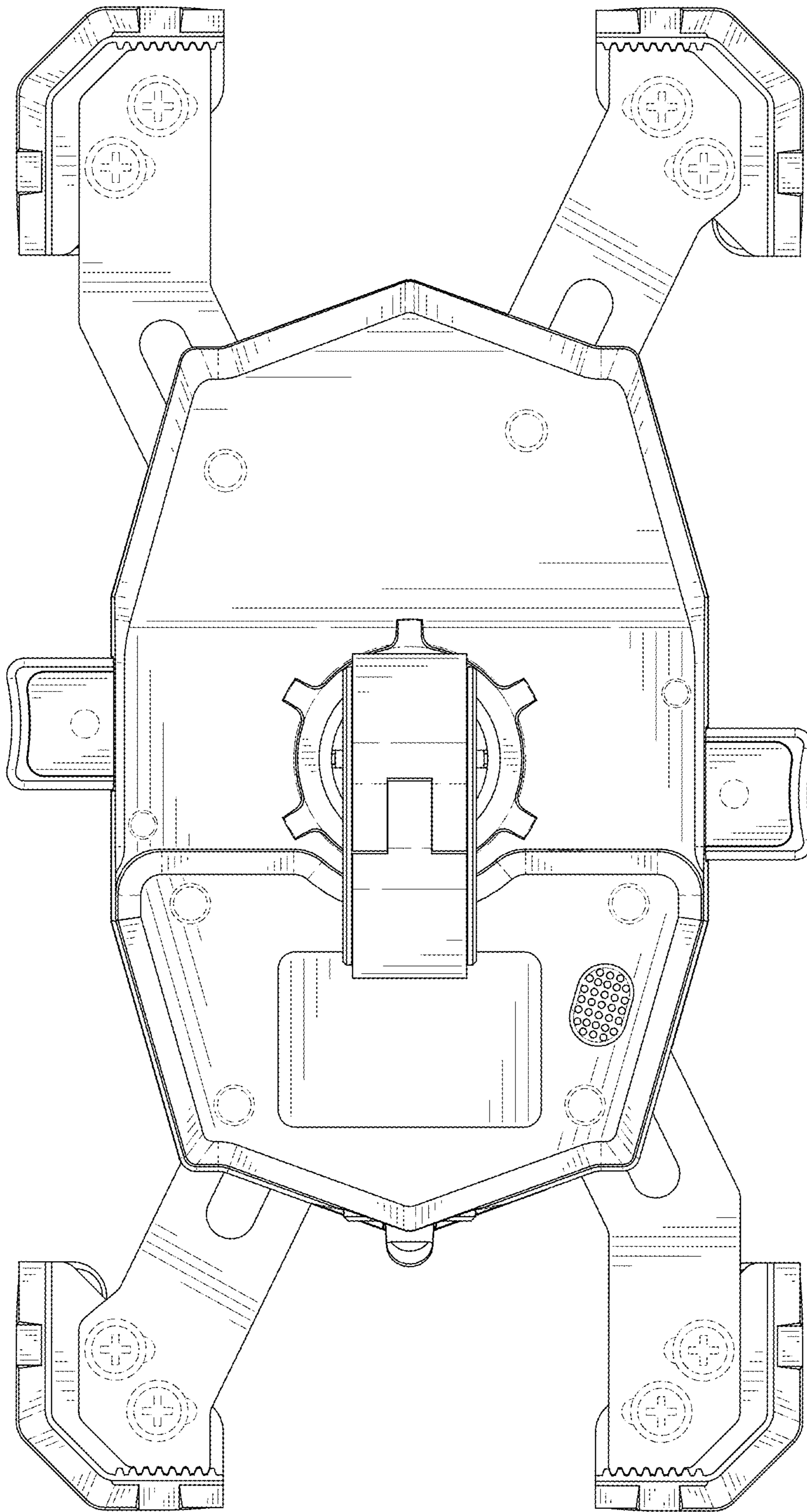


FIG. 12

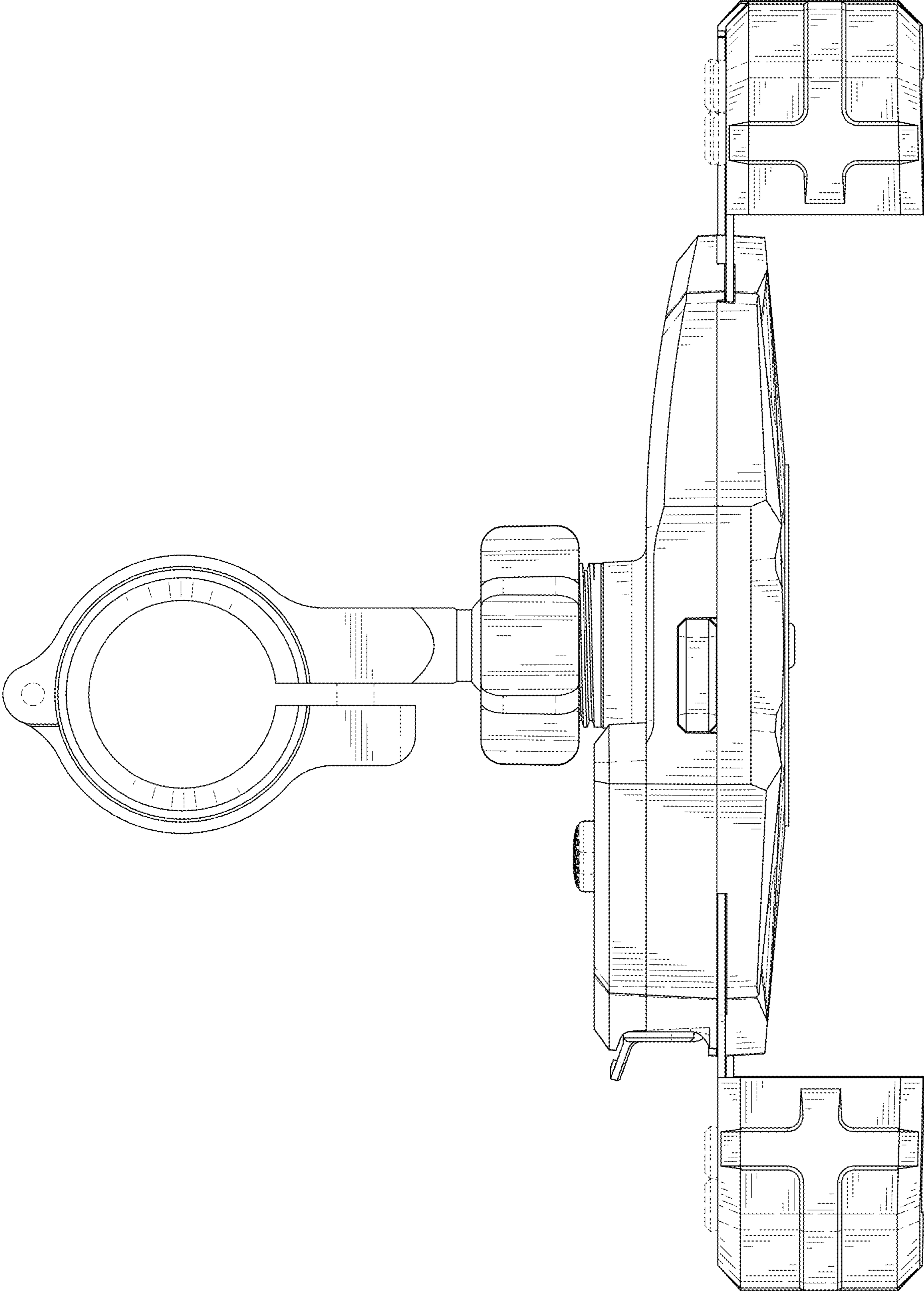


FIG. 13

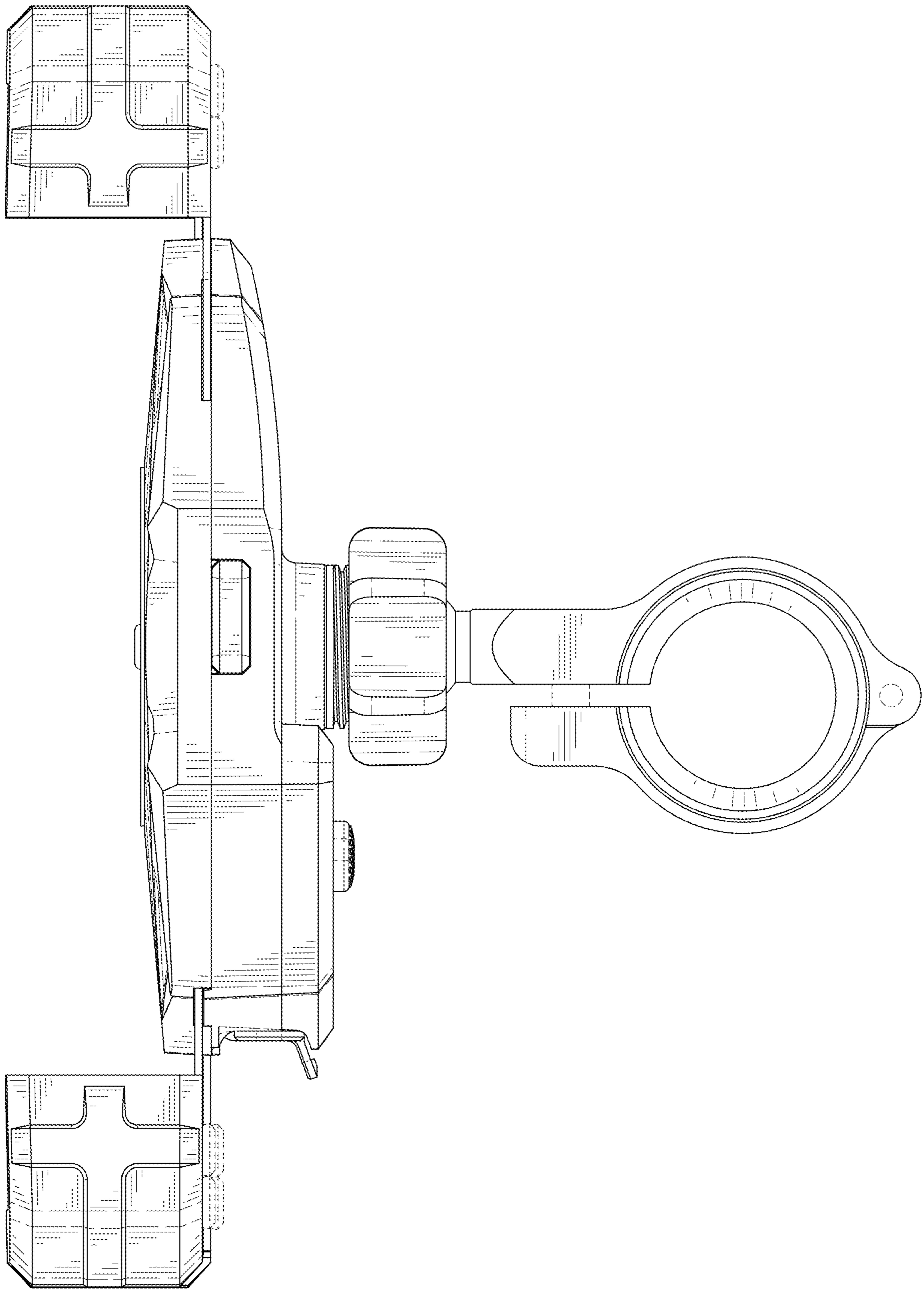


FIG. 14

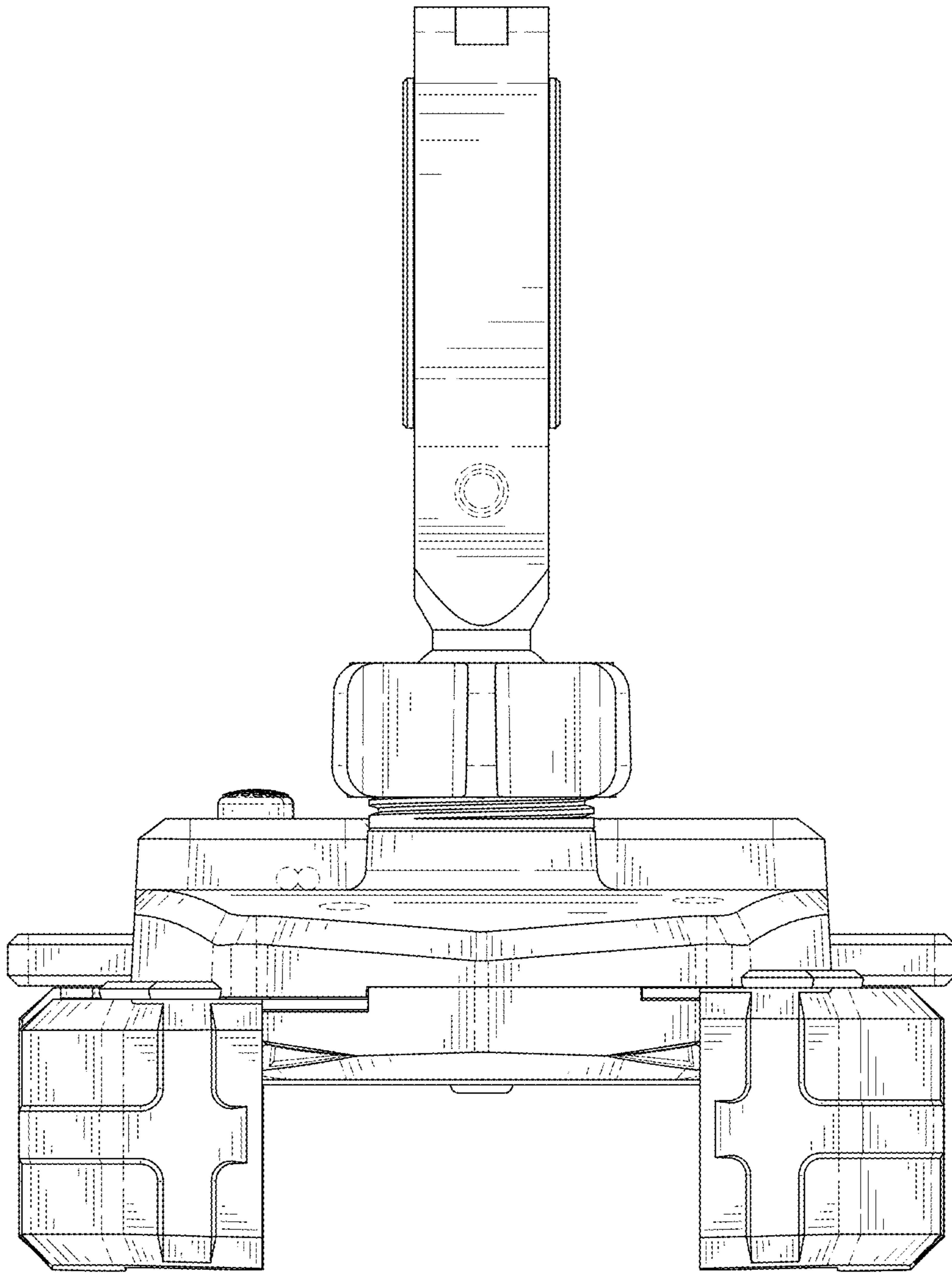


FIG. 15

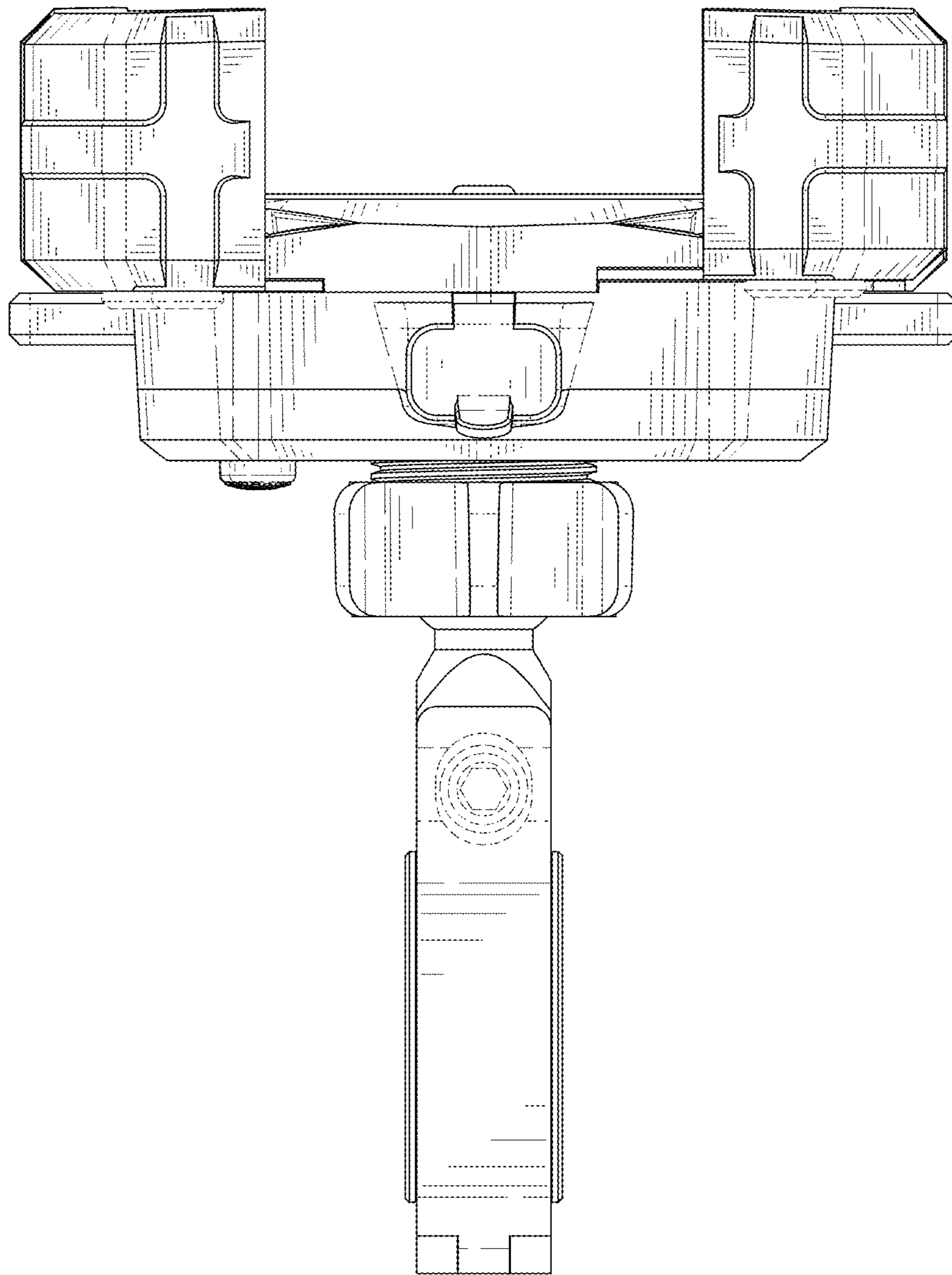


FIG. 16