



US00D960144S

(12) **United States Design Patent** (10) **Patent No.:** **US D960,144 S**
Yuan (45) **Date of Patent:** **** Aug. 9, 2022**

(54) **MOTORCYCLE PHONE MOUNT**

OTHER PUBLICATIONS

(71) Applicant: **Guoan Yuan**, Shanghai (CN)

Cycle World Staff. "Top 5 Motorcycle Phone Mounts." Cycle World., Nov. 21, 2021 [online], [retrieved on Apr. 13, 2022]. Retrieved from the Internet <URL: <https://www.cycleworld.com/top-5-motorcycle-phone-mounts/>>.*

(72) Inventor: **Guoan Yuan**, Shanghai (CN)

(**) Term: **15 Years**

(Continued)

(21) Appl. No.: **29/796,677**

Primary Examiner — Darlington Ly

(22) Filed: **Jun. 25, 2021**

(74) *Attorney, Agent, or Firm* — ScienBiziP, P.C.

(51) **LOC (13) Cl.** **14-99**

(57) **CLAIM**

(52) **U.S. Cl.**
USPC **D14/253**

The ornamental design for a motorcycle phone mount, as shown and described.

(58) **Field of Classification Search**
USPC D14/251–253, 432–434, 400, 447, 452;
D12/415; D3/218; D8/349, 363
CPC H04M 1/02; H04M 1/04; B60R 11/02;
B60R 11/0241; B60R 2011/0071; F16M
11/00; F16M 11/04; F16M 11/06; F16M
13/00; F16M 13/02; B62J 11/00; B62J
2099/0033

DESCRIPTION

See application file for complete search history.

FIG. 1 is a top, front, and right side perspective view of a motorcycle phone mount embodying my new design; FIG. 2 is a bottom, rear, and left side perspective view thereof; FIG. 3 is a front elevation view thereof; FIG. 4 is a rear elevation view thereof; FIG. 5 is a left side elevation view thereof; FIG. 6 is a right side elevation view thereof; FIG. 7 is a top plan view thereof; FIG. 8 is a bottom plan view thereof; FIG. 9 is a partial and enlarged right side perspective view thereof for area 9 in FIG. 1; FIG. 10 is a partial and enlarged bottom perspective view thereof for area 10 in FIG. 2; FIG. 11 is a partial and enlarged rear perspective view thereof for area 11 in FIG. 2; FIG. 12 is a partial and enlarged bottom perspective view thereof for area 12 in FIG. 2; and, FIG. 13 is a partial and enlarged left side elevation view thereof for area 13 in FIG. 5.

(56) **References Cited**

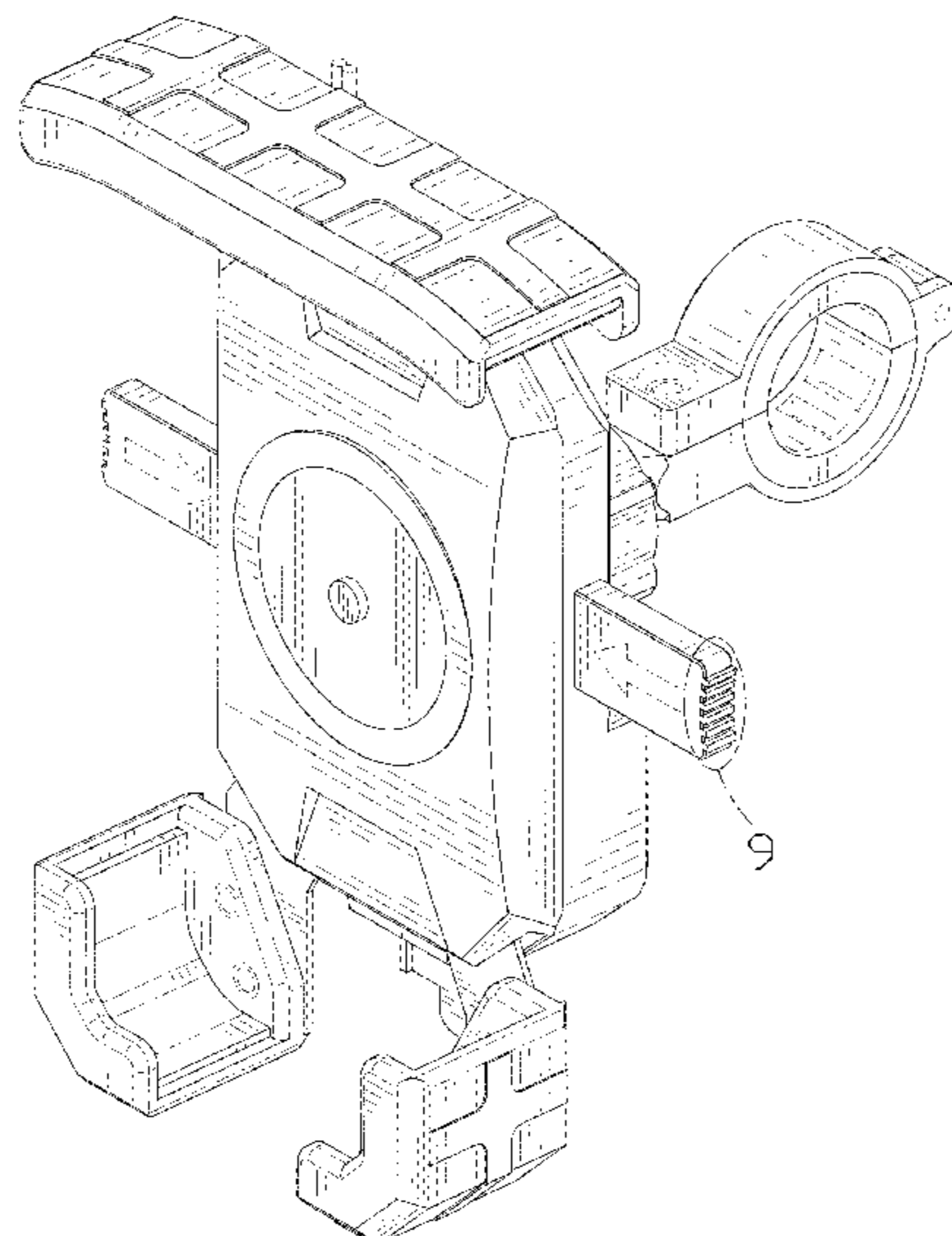
U.S. PATENT DOCUMENTS

8,067,848 B1 * 11/2011 Vilsaint B62J 6/06
290/1 R
D707,672 S * 6/2014 Lai D14/253
D772,220 S * 11/2016 Daniels D12/407
D780,168 S 2/2017 Du
D780,169 S 2/2017 Du
D783,012 S * 4/2017 Lee D14/253
9,963,183 B2 * 5/2018 Karl B62J 45/10
9,969,450 B1 * 5/2018 Lu B62J 45/10
10,322,764 B2 * 6/2019 Thomas F16C 11/106
D861,541 S * 10/2019 Yan D12/114
D870,095 S * 12/2019 Hu D14/253
D894,168 S * 8/2020 Lou D14/253
D903,652 S * 12/2020 Qiu D14/253
D928,041 S * 8/2021 Jones D12/114

The broken lines shown in the drawings are included for the purpose of illustrating portions of the motorcycle phone mount that form no part of the claimed design.

(Continued)

1 Claim, 13 Drawing Sheets



(56)

References Cited

U.S. PATENT DOCUMENTS

D931,849	S	*	9/2021	Qiu	D14/253
D936,645	S	*	11/2021	Deng	D12/114
D946,565	S	*	3/2022	Liu	D3/218
D947,168	S	*	3/2022	Jiao	D14/253
D947,169	S	*	3/2022	Jiao	D14/253
D947,170	S	*	3/2022	Jiao	D14/253
2002/0113185	A1	*	8/2002	Ziegler	B62J 11/00 248/284.1
2007/0221694	A1	*	9/2007	Aguiliar	B62J 9/21 224/420
2017/0086650	A1	*	3/2017	Valika	H04M 1/0264

OTHER PUBLICATIONS

Adam Eckert. "9 Best Motorcycle Phone Mounts for Adv Motorcycles." Ride Adventures., Sep. 25, 2019 [online], [retrieved on Apr.

13, 2022]. Retrieved from the Internet <URL: <https://www.rideadv.com/ride-adventures-tour-and-rentals-blog/9-best-motorcycle-phone-mounts>>.*

Greg. "5 Best Motorcycle Phone Mounts—Tough Enough For Dirt Bikes." Moto Domains., Oct. 11, 2019 [online], [retrieved on Apr. 13, 2022]. Retrieved from the Internet <URL: <https://motodomains.com/best-motorcycle-phone-mounts>>.*

"Kewig Motorcycle Phone Mount, Quick Install Bike Phone Holder, Bike Accessories for Motorcycle, Bicycle Handlebar Cradle Clip with Sturdy Aluminum Alloy." Amazon., May 5, 2011 [online], [retrieved on Apr. 13, 2022]. Retrieved from the Internet <URL: https://www.amazon.com/dp/B094768FS5/ref=syn_sd_onsite_desktop_211?pd_rd_plhdr=t&spLa=ZW5jcnlwdGVkUXVhbGlmaWVyPUEyODhOUFBINkpnTFU5JmVuY3J5cHRIZEikPUEwNTU1MTE3NFdMR0NKMUREODhNjMvY3J5cHRizeFkSWQ9QTazOTg3MTcxRDJHQUIY3R05BVIBIJndpZGldE5hbWU9c2Rfb25zaXRlX2Rlc2t0b3AmYWw0aW9uPWNsaWNrUmVkaXJlY3QmZG9Qb3RMb2dDbGljaz10cnVI&th=1>.*

* cited by examiner

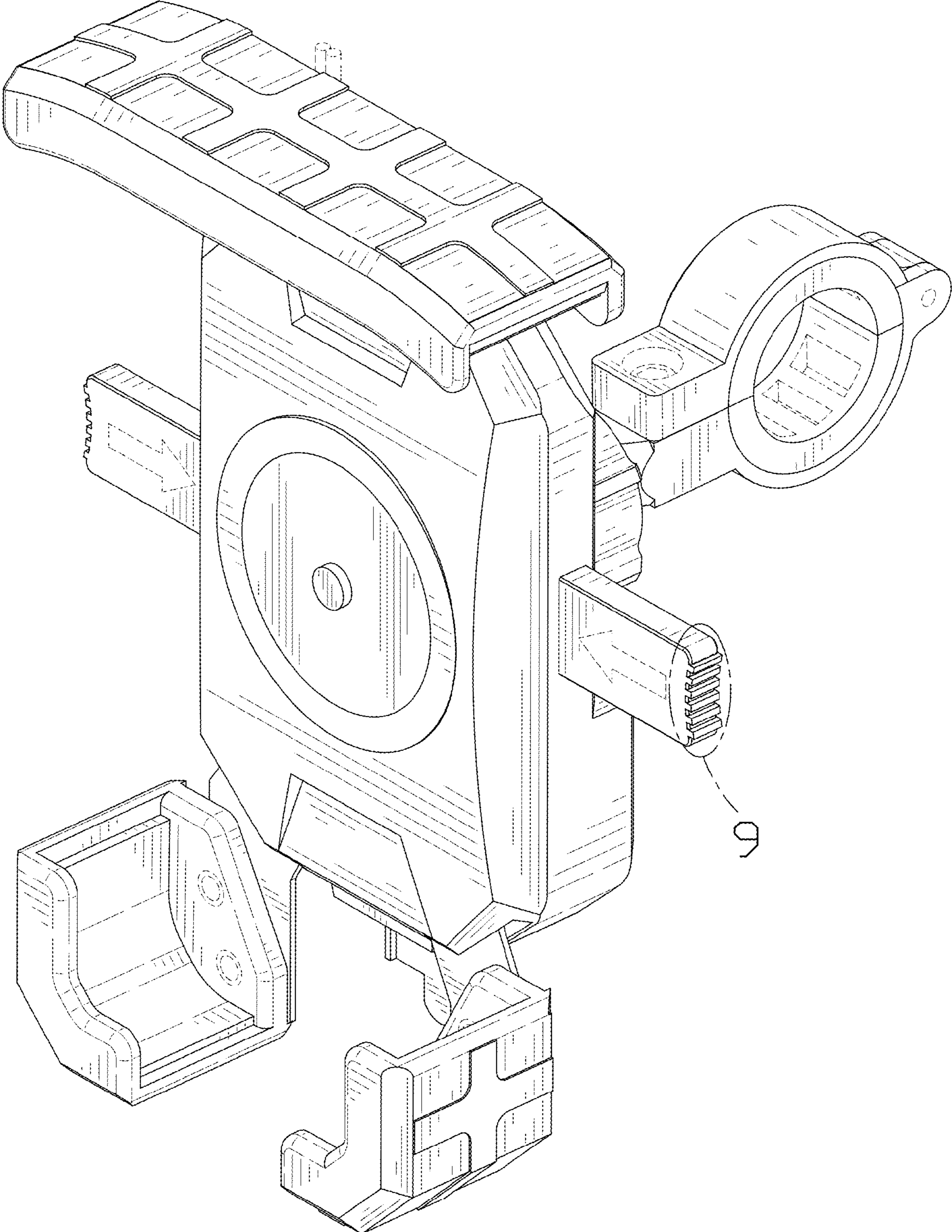


FIG. 1

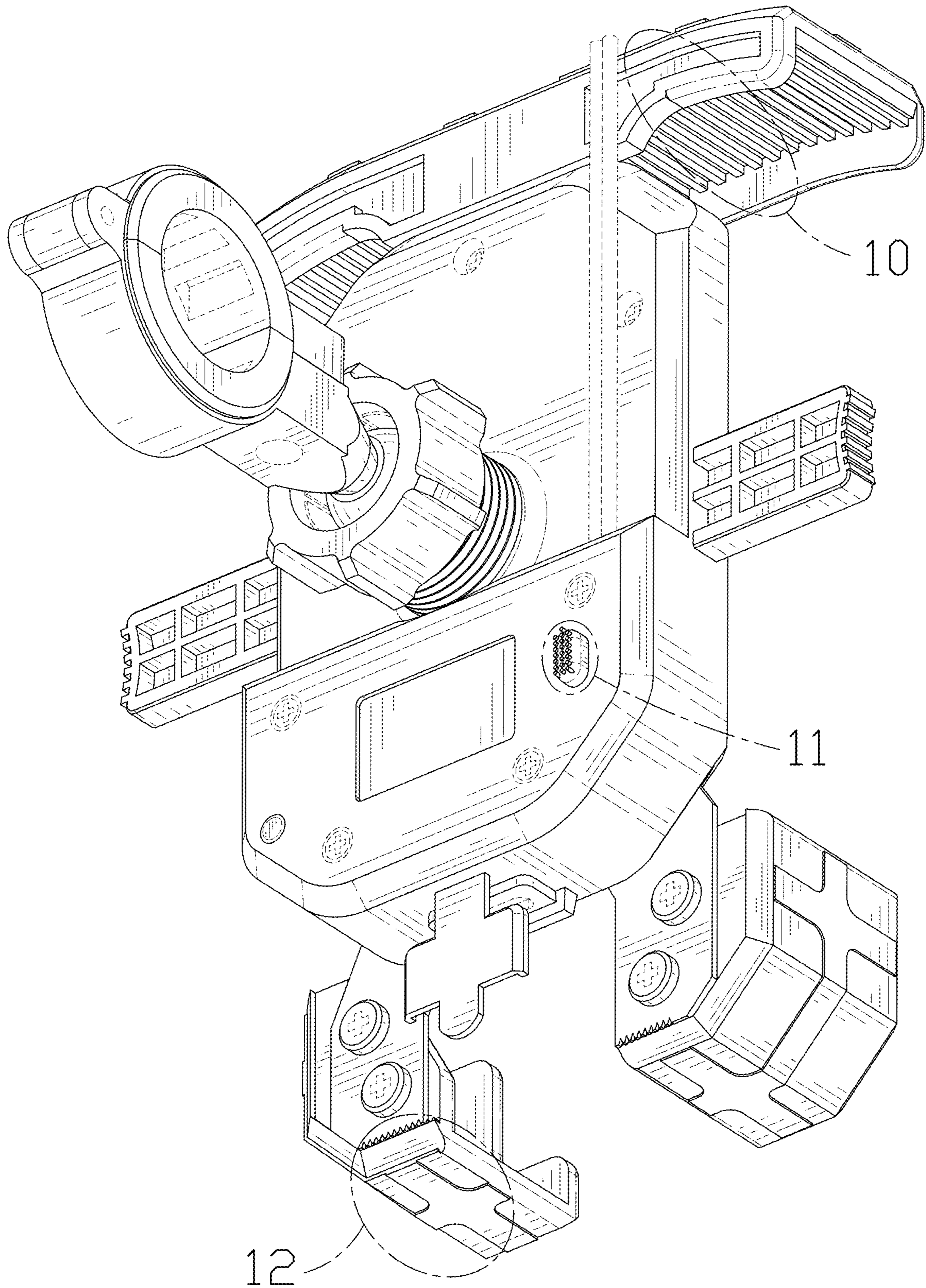


FIG. 2

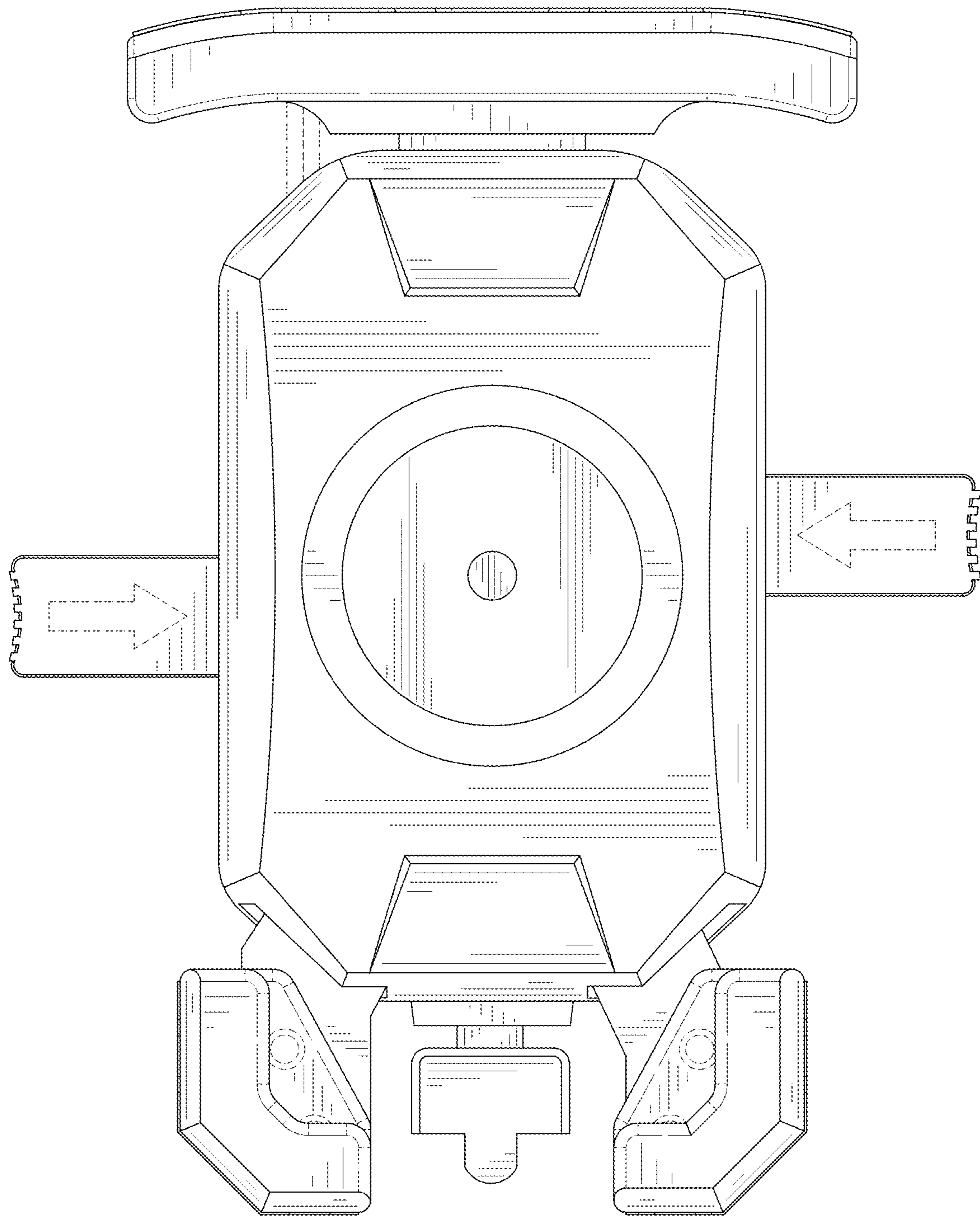


FIG. 3

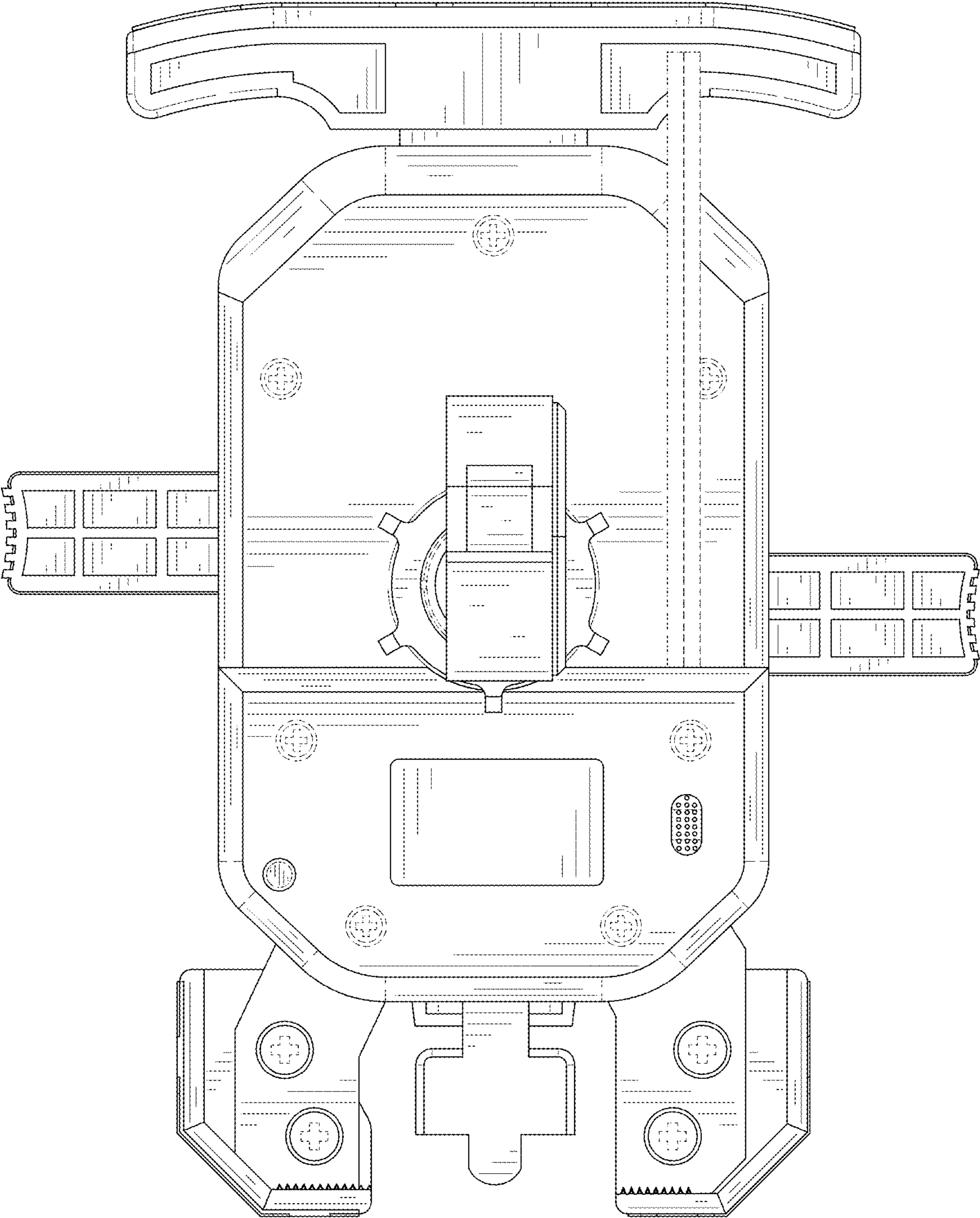


FIG. 4

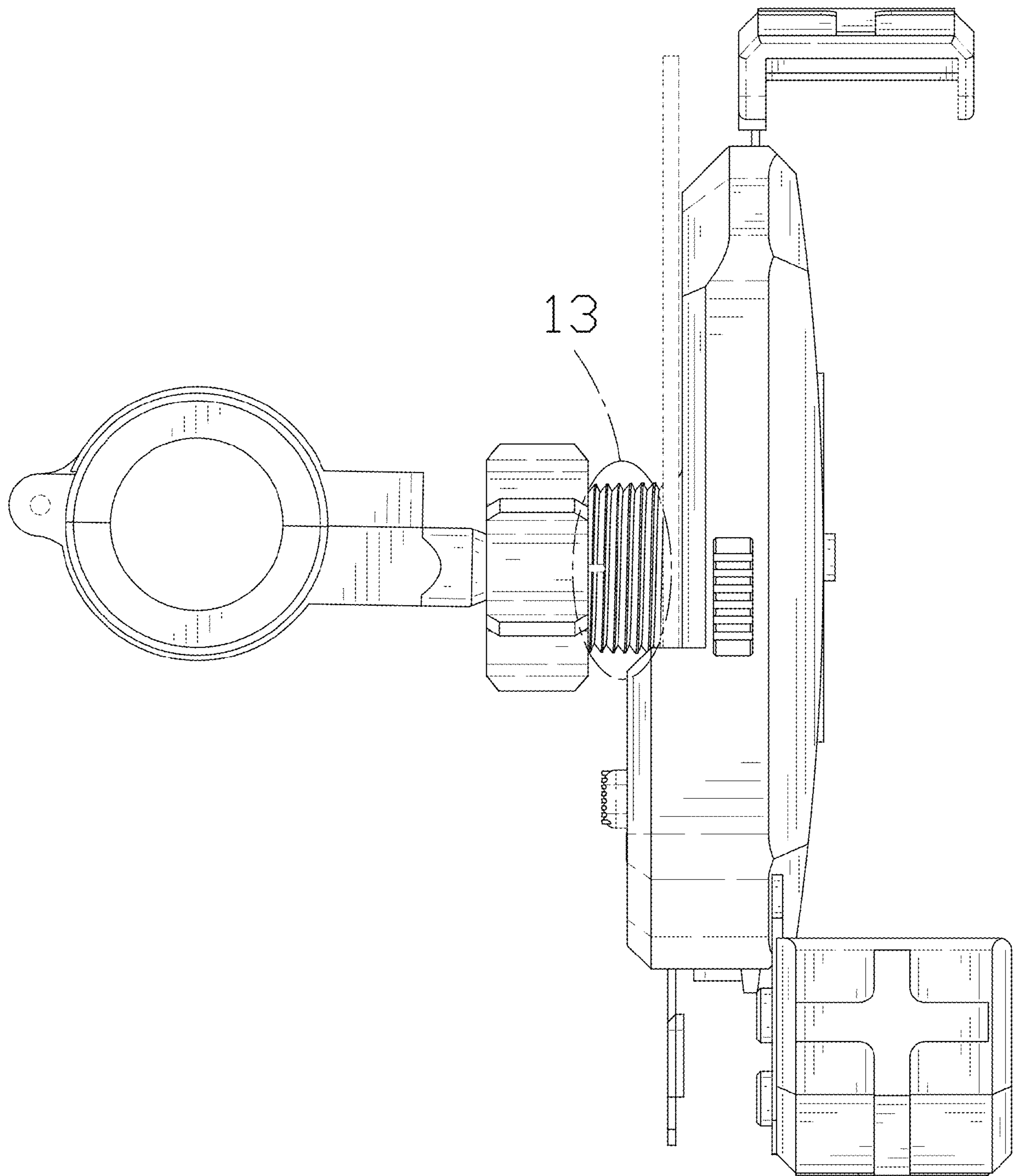


FIG. 5

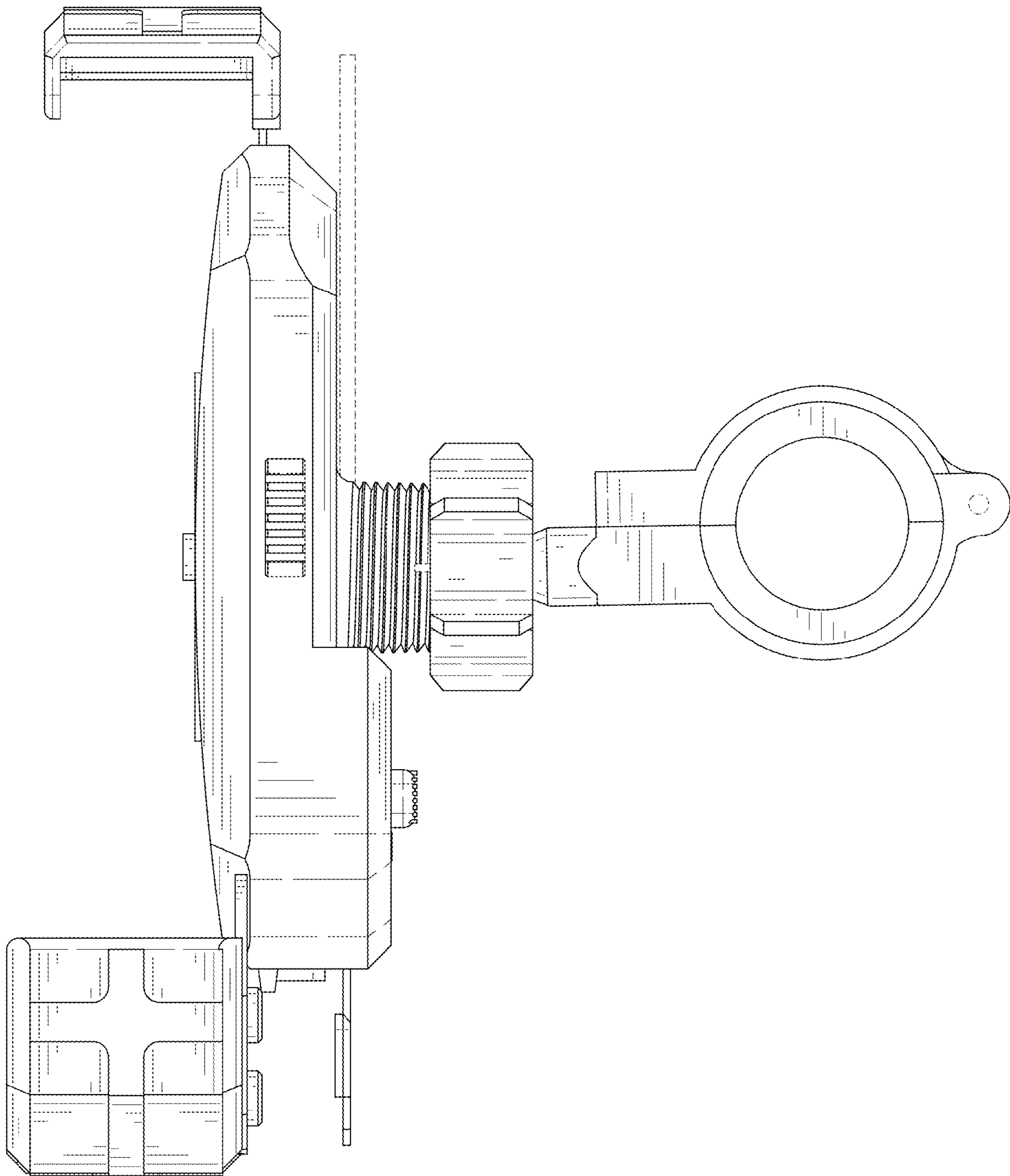


FIG. 6

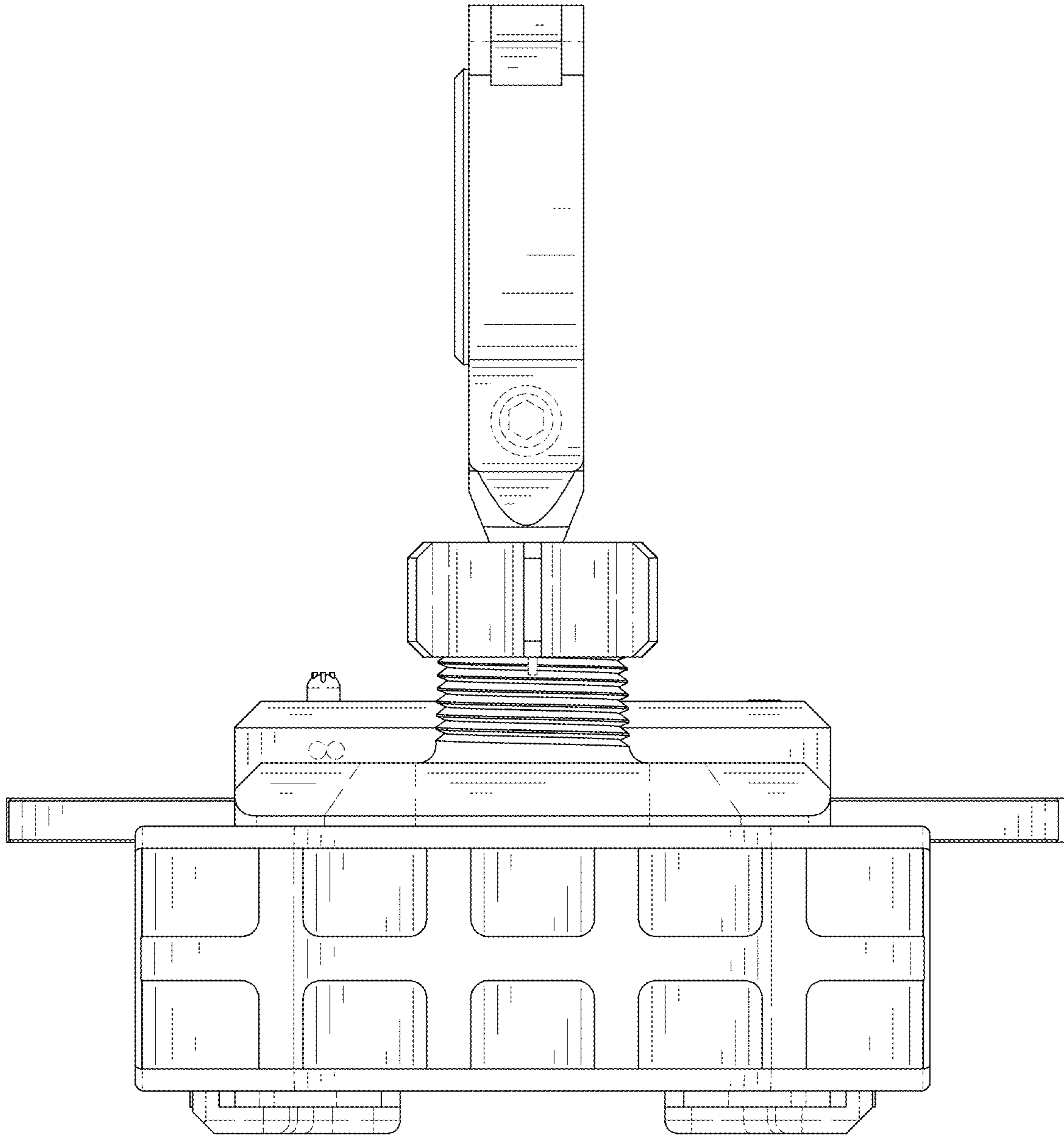


FIG. 7

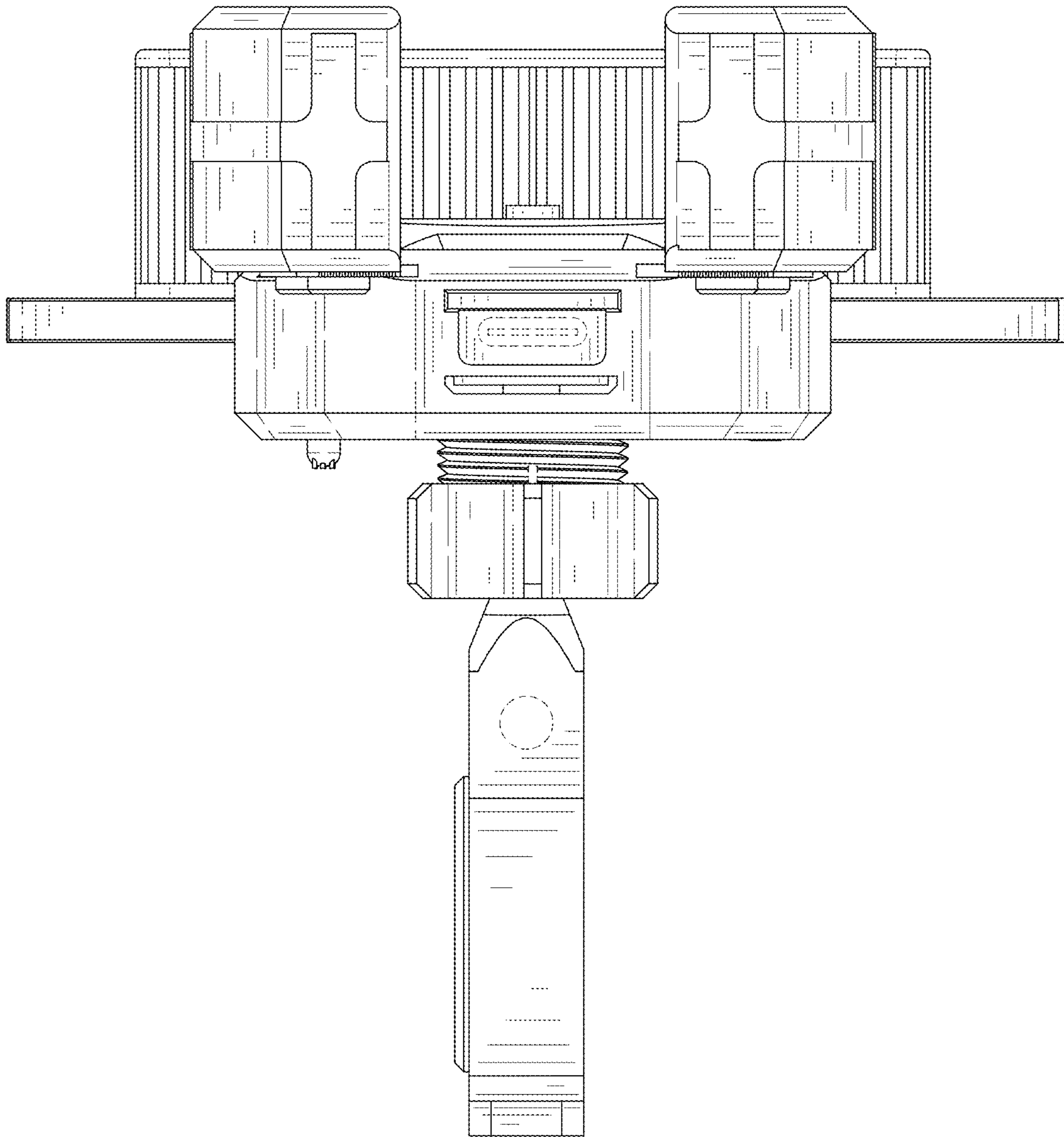


FIG. 8

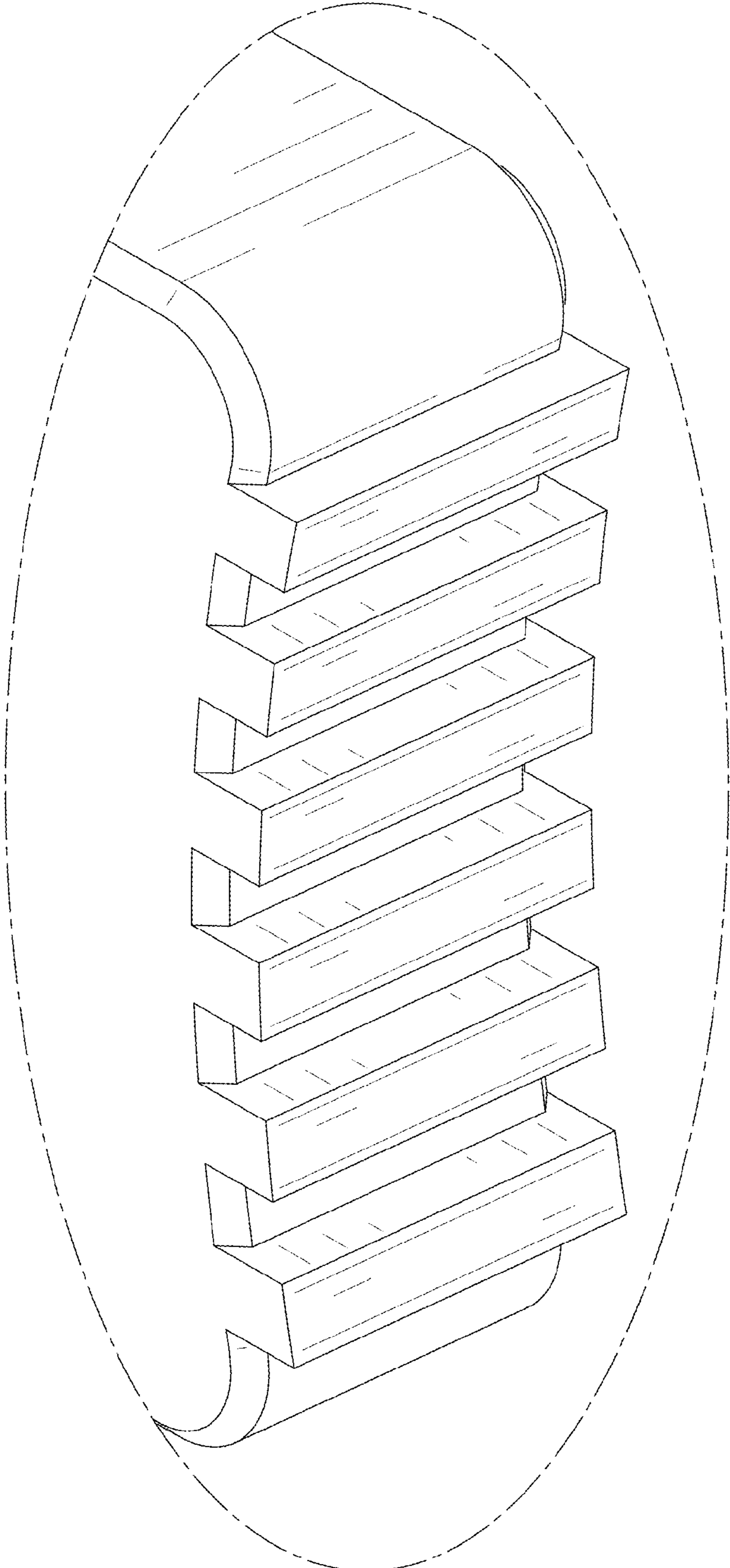


FIG. 9

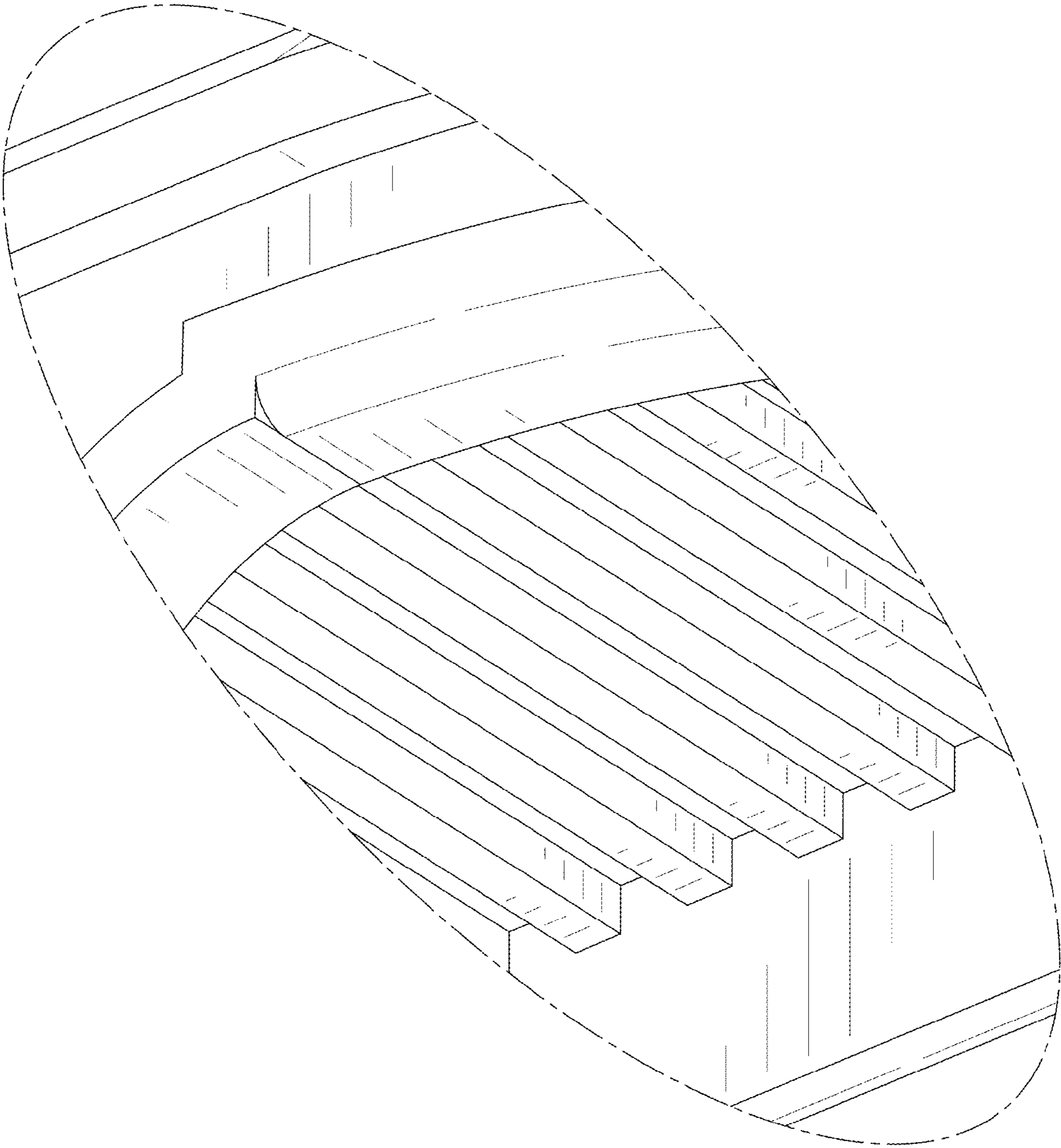


FIG. 10

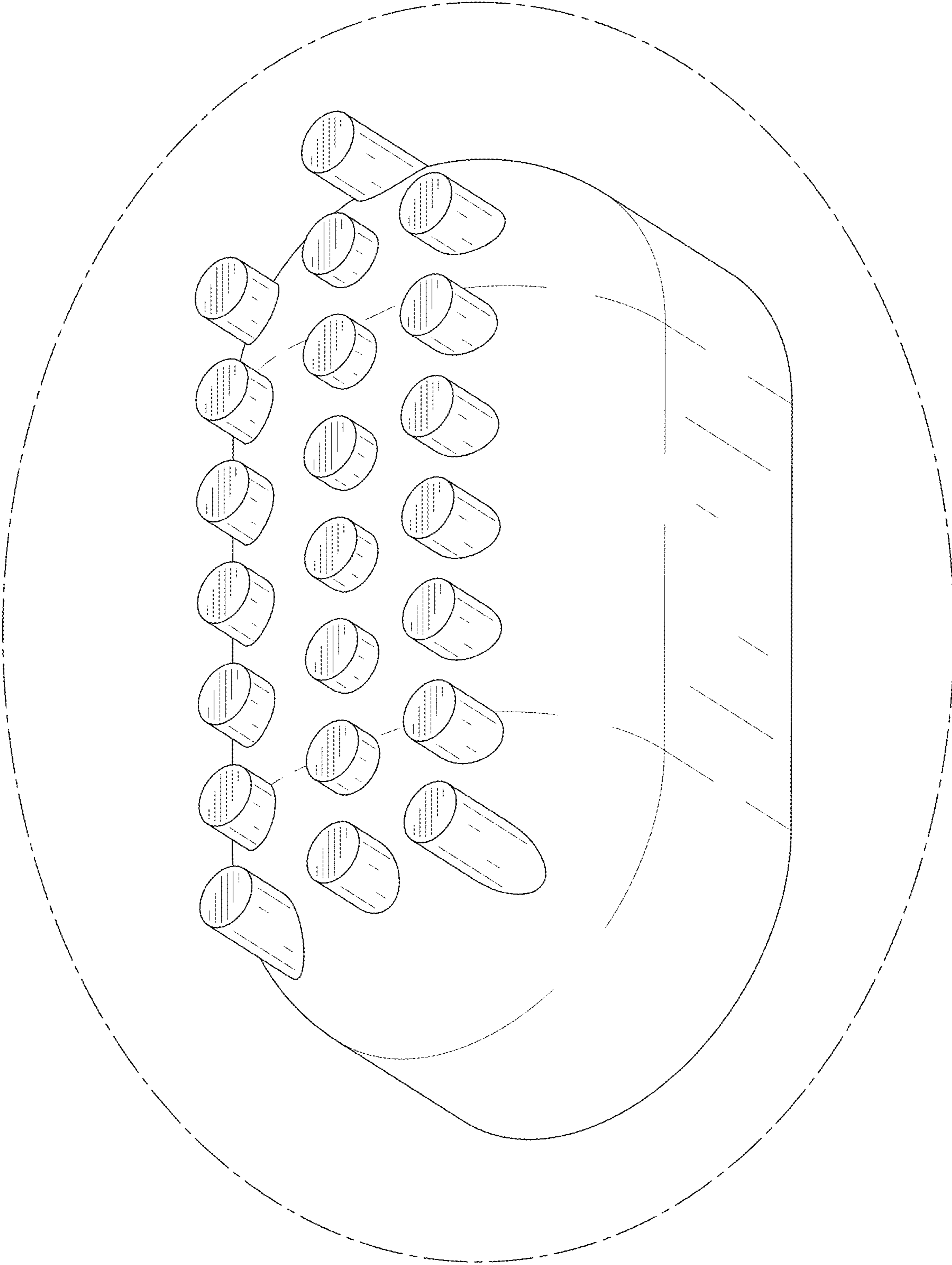


FIG. 11

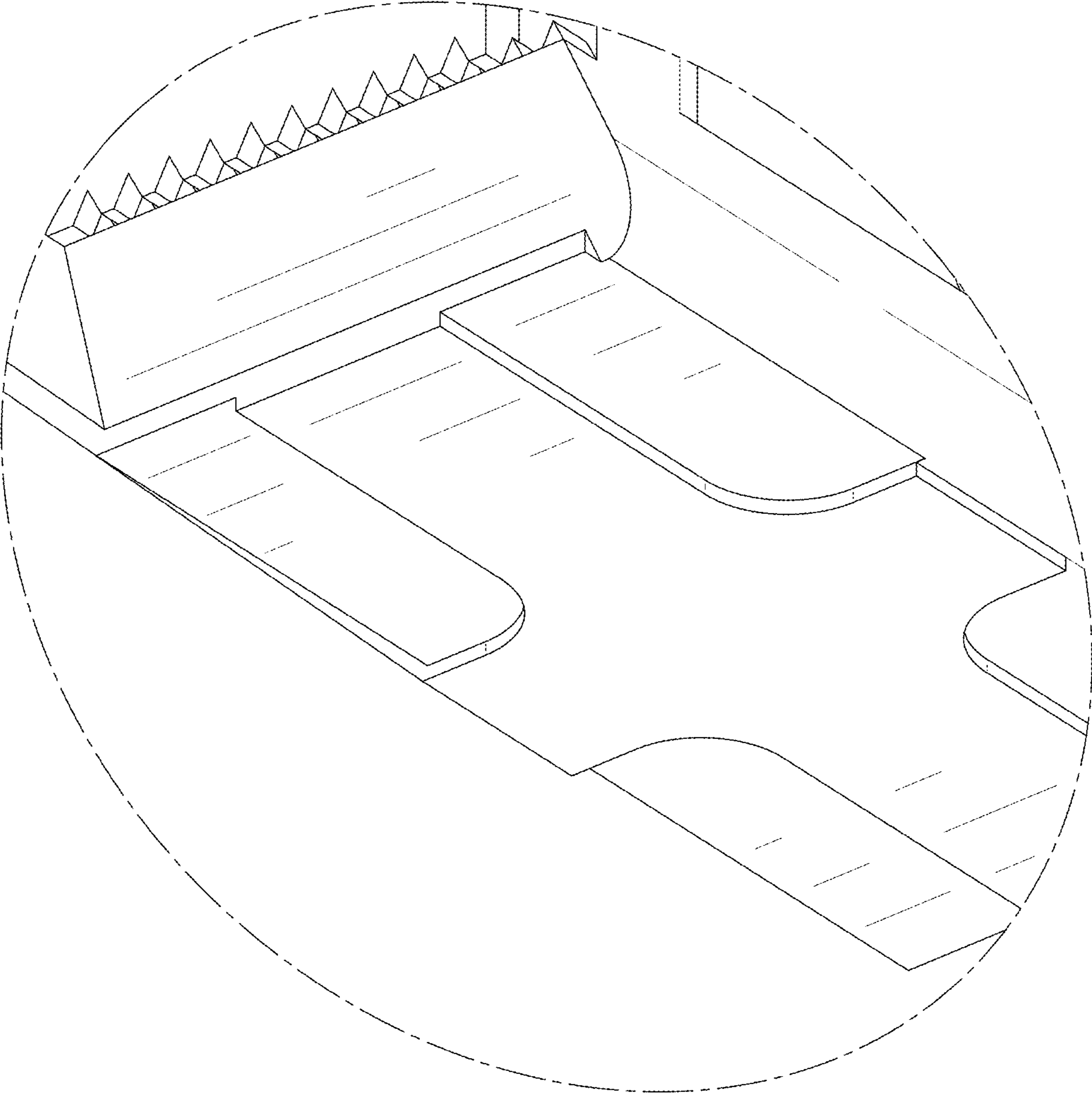


FIG. 12

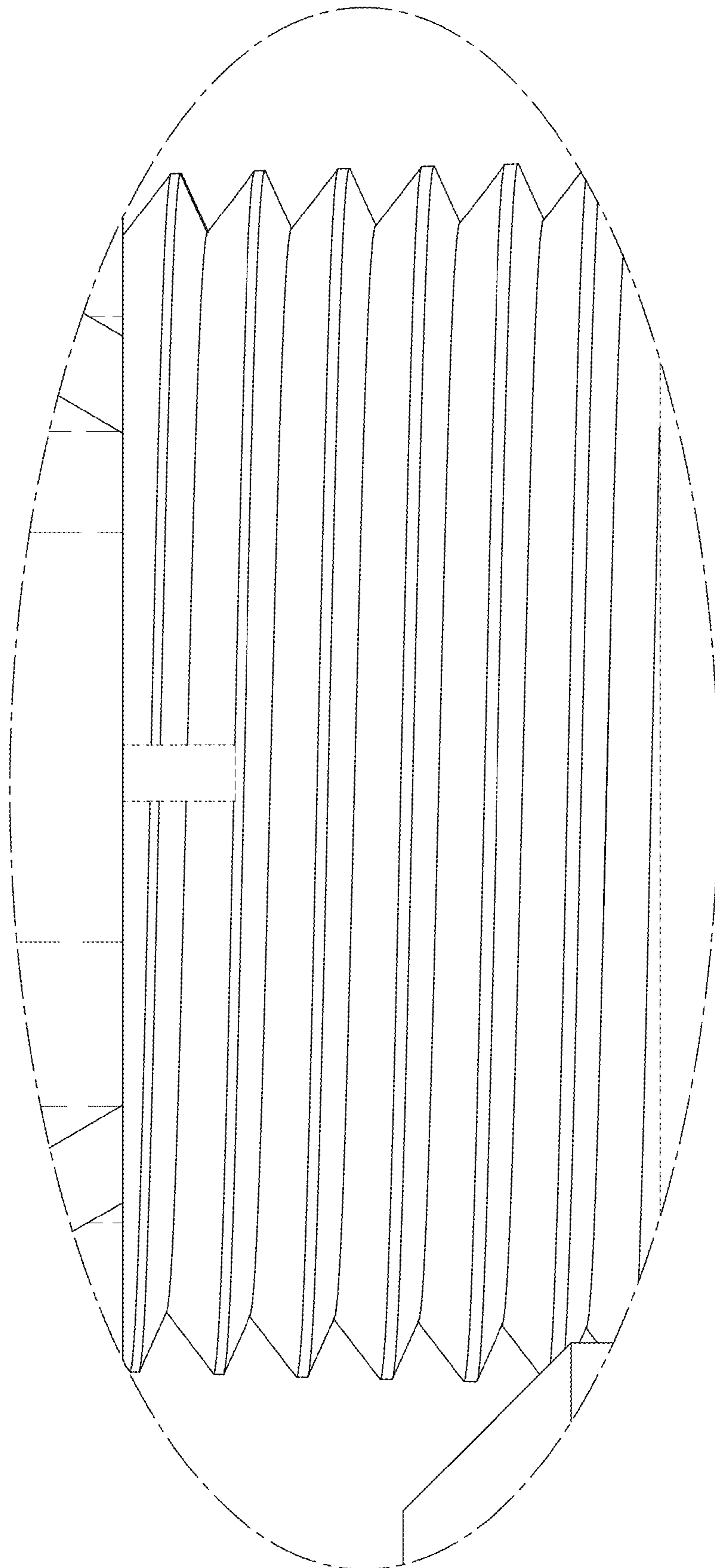


FIG. 13