

US00D960142S

(12) **United States Design Patent** (10) **Patent No.:** **US D960,142 S**
Tsai (45) **Date of Patent:** **** Aug. 9, 2022**

(54) **CLIP FOR MOBILE DEVICE**
(71) Applicant: **LENNTEK CORPORATION**,
Torrance, CA (US)
(72) Inventor: **Danny M. Tsai**, Torrance, CA (US)
(73) Assignee: **Lenntek Corporation**, Torrance, CA
(US)
(**) Term: **15 Years**
(21) Appl. No.: **29/690,188**
(22) Filed: **May 6, 2019**
(51) **LOC (13) Cl.** **14-03**
(52) **U.S. Cl.**
USPC **D14/253**; D14/250
(58) **Field of Classification Search**
USPC D14/251–253, 447; D12/415; D3/218;
D16/244
CPC F16M 13/02; F16M 11/14; F16M 11/121;
F16M 11/2007; B60R 11/0241; B60R
2011/0059; B60R 2011/0071; F16B
2001/0035; A45C 2011/002; H04M 1/04;
H04M 1/0202; A45F 2200/0516; A45F
2005/006; A45F 2005/008
See application file for complete search history.

(56) **References Cited**
U.S. PATENT DOCUMENTS
D618,244 S * 6/2010 Sweet D14/299
D775,114 S * 12/2016 Khalili D14/250
D826,949 S * 8/2018 Ehara D14/401

D854,006 S * 7/2019 Wang D14/253
D855,605 S * 8/2019 Kim D14/250
D855,606 S * 8/2019 Kim D14/250
10,693,517 B2 * 6/2020 Osmanski A45F 5/021
D894,889 S * 9/2020 Feller D14/251
10,790,868 B1 * 9/2020 Tsai A45F 5/00
2015/0305480 A1 * 10/2015 Brousseau B25G 1/00
224/267
2016/0049983 A1 * 2/2016 Ripka H04M 1/04
455/575.6
2016/0344437 A1 * 11/2016 Gordon H04M 1/05
2018/0213664 A1 * 7/2018 Yuan F16M 11/10
2018/0294830 A1 * 10/2018 Osmanski H04B 1/3888

* cited by examiner

Primary Examiner — Janice Hallmark
(74) *Attorney, Agent, or Firm* — Fitzgerald IP Law; John
K Fitzgerald, Esq.

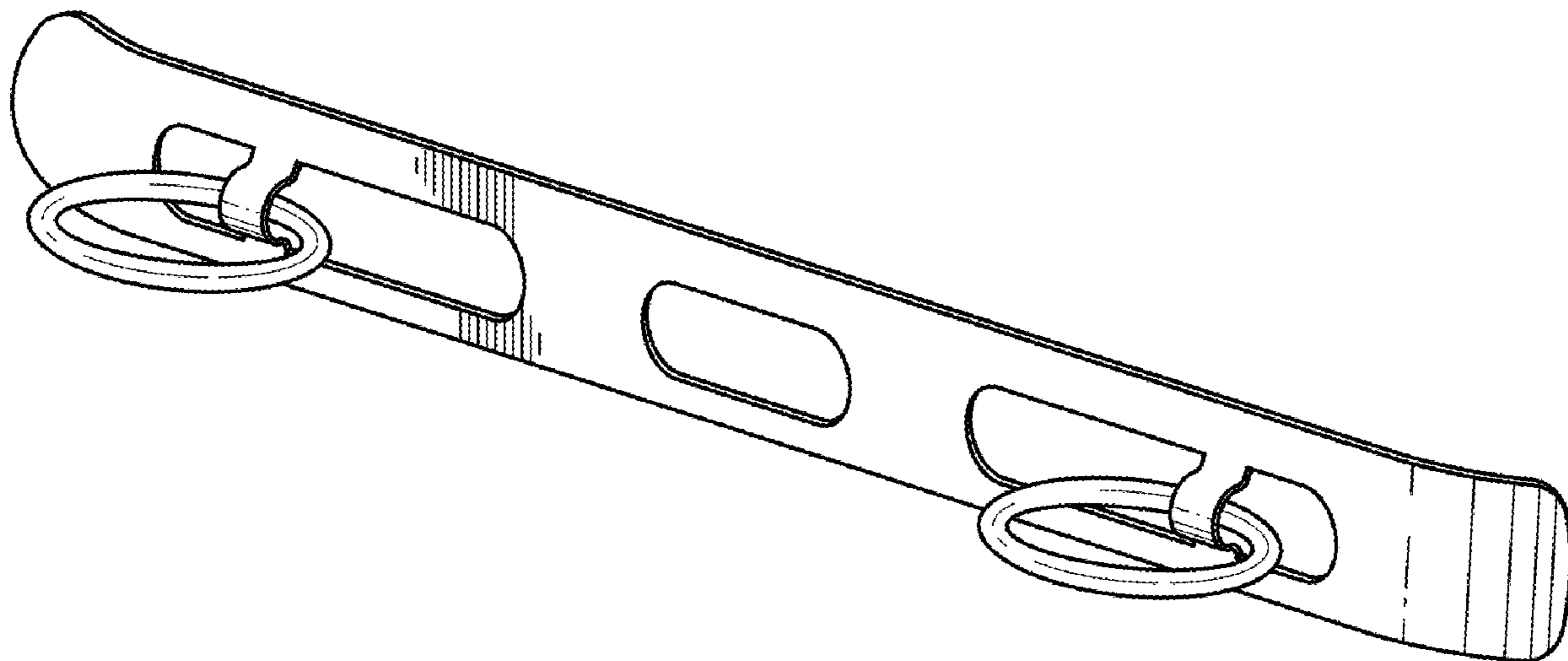
(57) **CLAIM**

The ornamental design for a clip for mobile device, as
shown and described.

DESCRIPTION

FIG. 1 is a front perspective view of a clip for a mobile
device showing my new design;
FIG. 2 is a rear perspective view thereof;
FIG. 3 is a rear view thereof;
FIG. 4 is a frontal view thereof;
FIG. 5 is a top view thereof;
FIG. 6 is a bottom view thereof;
FIG. 7 is a left view thereof; and,
FIG. 8 is a right view thereof.

1 Claim, 2 Drawing Sheets



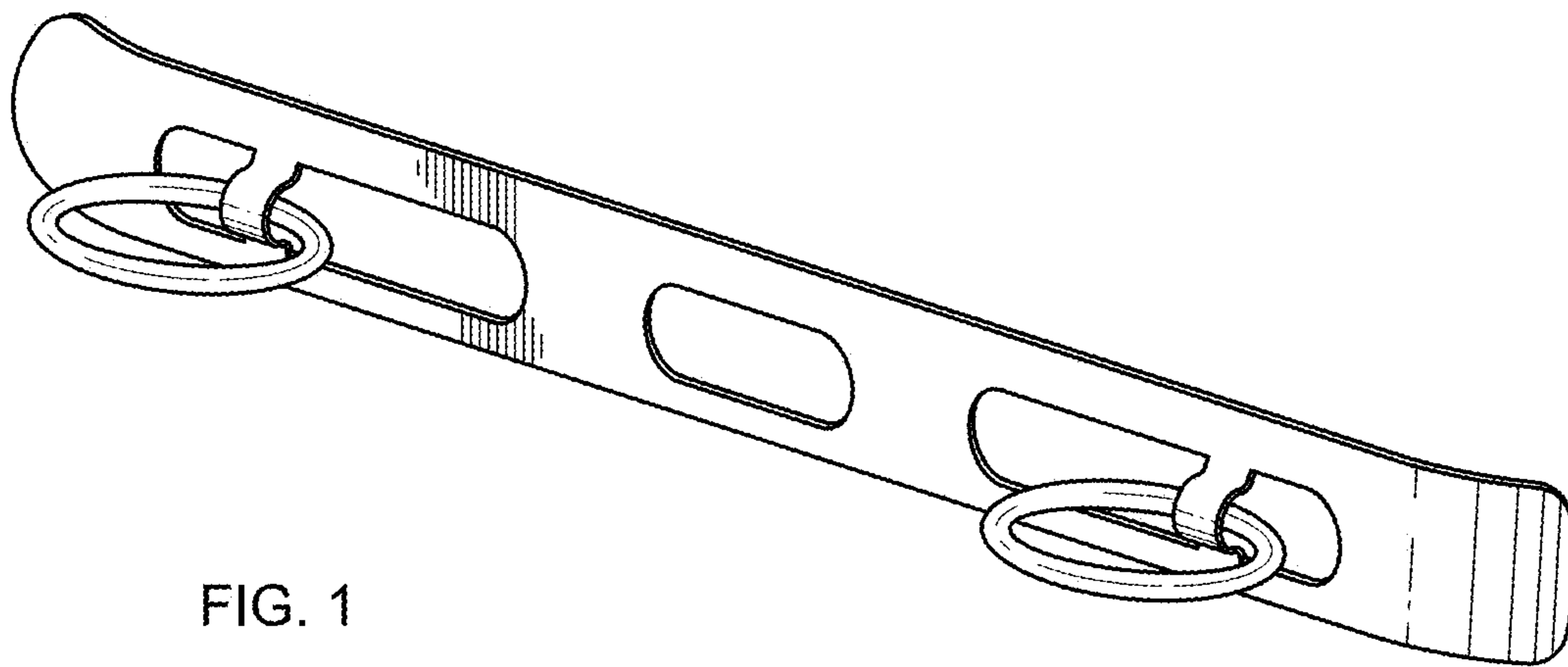


FIG. 1

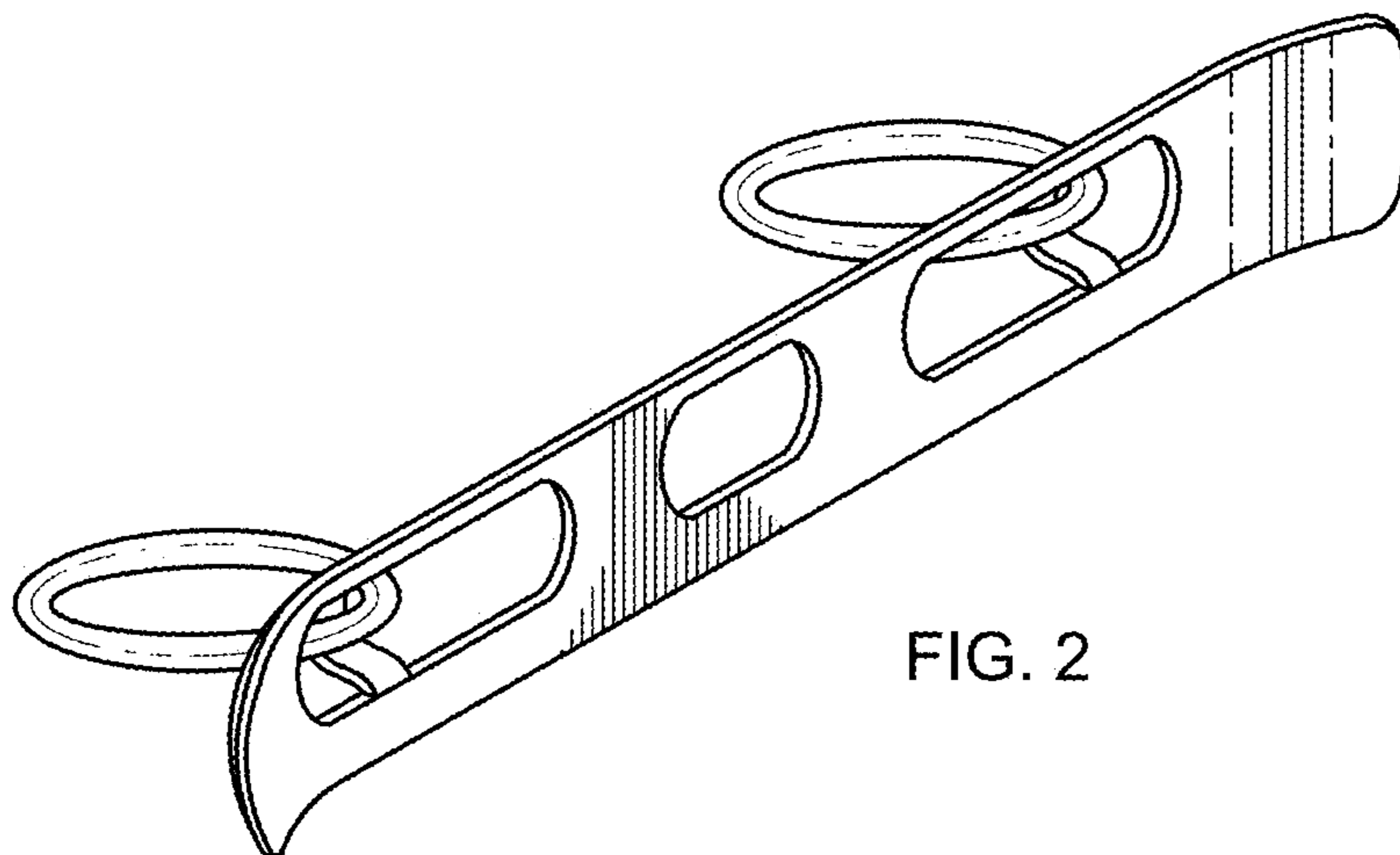


FIG. 2

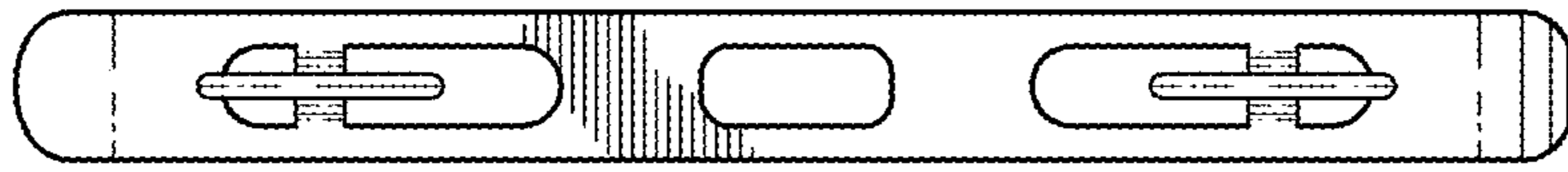


FIG. 3

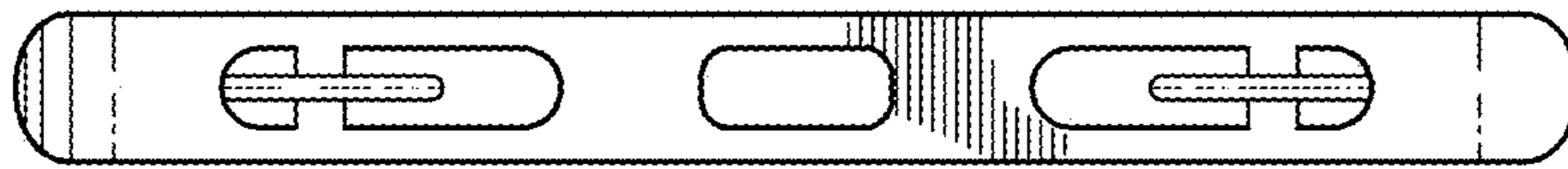


FIG. 4



FIG. 5

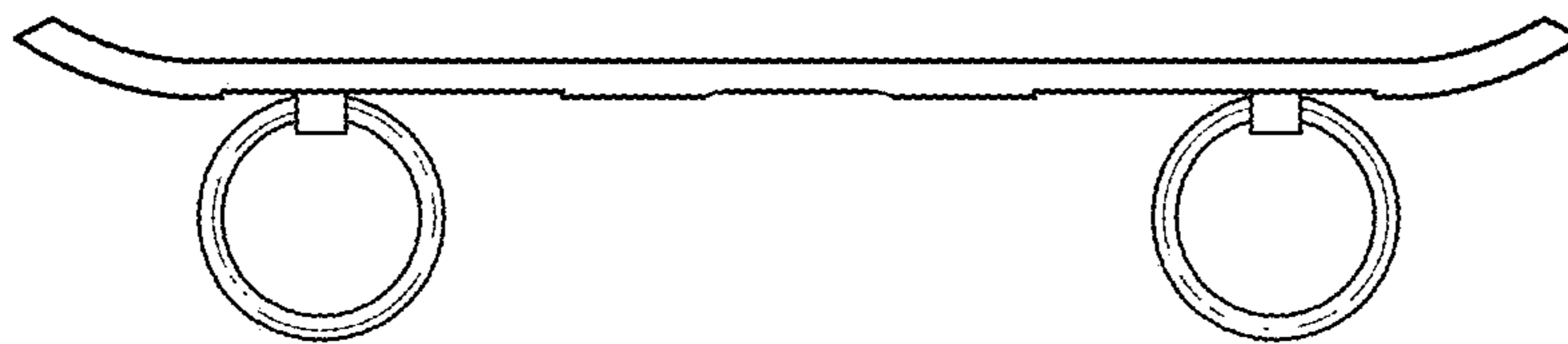


FIG. 6

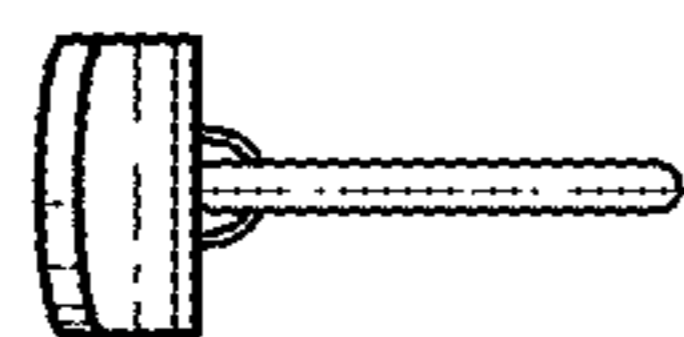


FIG. 7

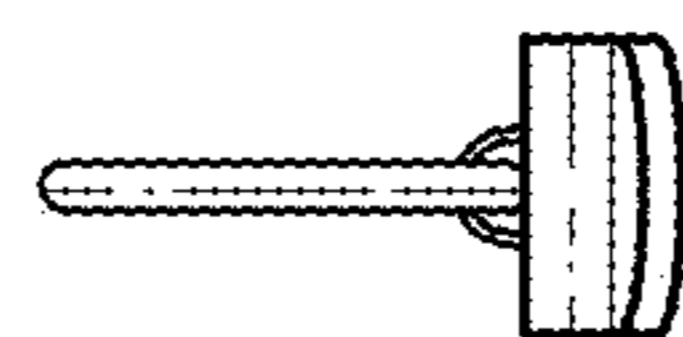


FIG. 8