

US00D960141S

(12) **United States Design Patent** (10) **Patent No.:** **US D960,141 S**  
**Lee** (45) **Date of Patent:** **\*\* Aug. 9, 2022**

(54) **COVER FOR ELECTRONIC COMMUNICATIONS DEVICE**  
(71) Applicant: **ELAGO COMPANY CO., LTD.**,  
Goyang-si (KR)  
(72) Inventor: **Chanwoo Lee**, Goyang-si (KR)  
(73) Assignee: **ELAGO COMPANY CO., LTD.**,  
Goyang-si (KR)  
(\*\*) Term: **15 Years**  
(21) Appl. No.: **29/803,081**  
(22) Filed: **Aug. 10, 2021**  
(51) **LOC (13) Cl.** ..... **14-03**  
(52) **U.S. Cl.**  
USPC ..... **D14/250**  
(58) **Field of Classification Search**  
USPC ..... D14/203.3–203.7, 439, 251–253, 447,  
D14/217, 240, 238.1, 440, 248, 250;  
D13/103, 107–108, 119; D3/201, 218,  
D3/247, 249, 269, 273, 301, 303  
CPC ..... H04B 1/3888; A45C 11/00; A45C 13/02;  
A45C 2011/002; A45C 1/06; A45F  
2200/0525; A45F 2005/026; A45F  
2200/0516; H04M 1/0283; H04M 1/0202  
See application file for complete search history.

D718,230 S \* 11/2014 To ..... D13/103  
D718,293 S \* 11/2014 Namminga ..... D14/250  
D740,269 S \* 10/2015 Monaco ..... D14/250  
D765,643 S \* 9/2016 Witter ..... D14/250  
D775,613 S \* 1/2017 Diebel ..... D14/250  
D779,470 S \* 2/2017 Kim ..... D14/250  
D812,047 S \* 3/2018 Koo ..... D14/250  
D819,621 S \* 6/2018 Diebel ..... D14/250  
D825,543 S \* 8/2018 Kim ..... D14/250

(Continued)

**FOREIGN PATENT DOCUMENTS**

CN 303941405 11/2016  
CN 305398398 10/2019

(Continued)

*Primary Examiner* — Carla J Wright  
(74) *Attorney, Agent, or Firm* — Paratus Law Group,  
PLLC

(57) **CLAIM**

The ornamental design for a cover for electronic communi-  
cations device, as shown and described.

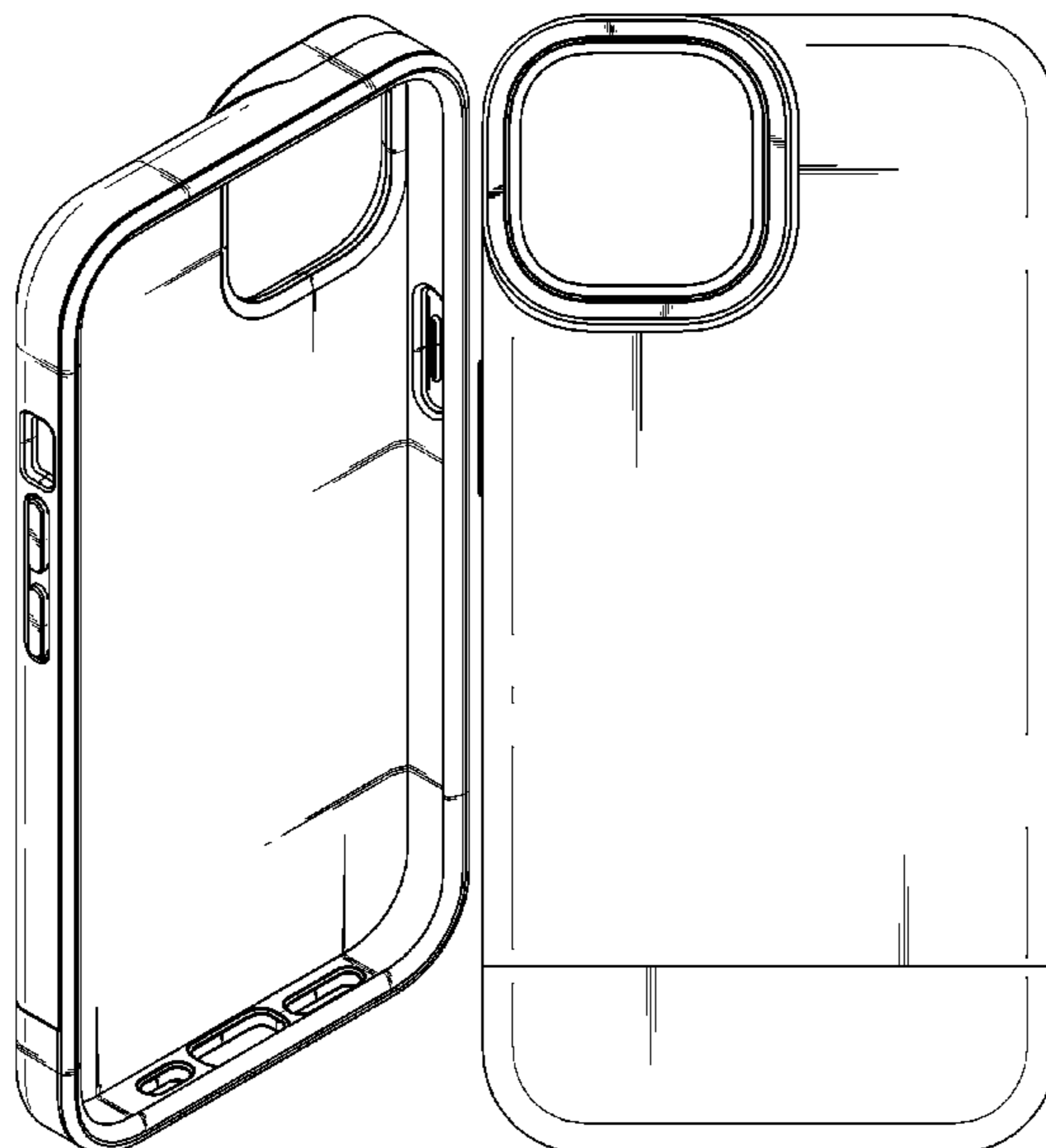
**DESCRIPTION**

FIG. 1 is a front, top, and left side perspective view of a  
cover for electronic communications device, showing my  
new design;  
FIG. 2 is a front view thereof;  
FIG. 3 is a back view thereof;  
FIG. 4 is a left side view thereof;  
FIG. 5 is a right side view thereof;  
FIG. 6 is a top view thereof;  
FIG. 7 is a bottom view thereof;  
FIG. 8 is a back, top, and left side perspective view thereof;  
FIG. 9 is a back, bottom, and left side perspective view  
thereof; and,  
FIG. 10 is a back, bottom, and right side perspective view  
thereof.

**1 Claim, 8 Drawing Sheets**

(56) **References Cited**  
**U.S. PATENT DOCUMENTS**

D575,056 S \* 8/2008 Tan ..... D3/218  
D618,230 S \* 6/2010 Brown ..... D14/250  
D623,180 S \* 9/2010 Diebel ..... D14/250  
D654,068 S \* 2/2012 Monaco ..... D14/250  
D669,458 S \* 10/2012 Wilson ..... D14/250  
D674,394 S \* 1/2013 Kajimoto ..... D14/440  
D676,844 S \* 2/2013 Weller ..... D14/250  
D698,774 S \* 2/2014 Wardy ..... D14/250



(56)

References Cited

FOREIGN PATENT DOCUMENTS

U.S. PATENT DOCUMENTS

D853,372 S 7/2019 Kim  
 D854,536 S \* 7/2019 Lee ..... D14/250  
 D865,746 S \* 11/2019 Tadesse ..... D14/250  
 D884,690 S 5/2020 Kim  
 D894,886 S 9/2020 Kim  
 D901,481 S \* 11/2020 Ahn ..... D14/250  
 D903,647 S \* 12/2020 Lin ..... D14/250  
 D905,681 S 12/2020 Kim  
 D909,359 S 2/2021 Kim  
 D911,323 S \* 2/2021 Kim ..... D14/250  
 D913,270 S 3/2021 Lee  
 D915,384 S 4/2021 Kim  
 D918,888 S 5/2021 Feng  
 D929,982 S \* 9/2021 Tadesse ..... D14/250  
 2013/0257240 A1 \* 10/2013 Hong ..... H04B 1/3888  
 312/223.1  
 2014/0221056 A1 \* 8/2014 Gandhi ..... H04B 1/3888  
 455/575.8

CN 305729999 4/2020  
 CN 305770045 5/2020  
 CN 305805816 5/2020  
 CN 305805843 5/2020  
 CN 305814987 6/2020  
 CN 305815096 6/2020  
 CN 305856141 6/2020  
 CN 305863643 6/2020  
 CN 305863645 6/2020  
 CN 305873366 6/2020  
 CN 305881748 6/2020  
 CN 305891440 7/2020  
 CN 305899910 7/2020  
 CN 305899936 7/2020  
 EM 006589206-0002 7/2019  
 EM 007242276-0001 11/2019  
 EM 007409727-0002 1/2020  
 EM 008006969-0002 6/2020  
 EM 008010573-0001 7/2020  
 KR 10-2116885 B1 6/2020

\* cited by examiner

FIG. 1

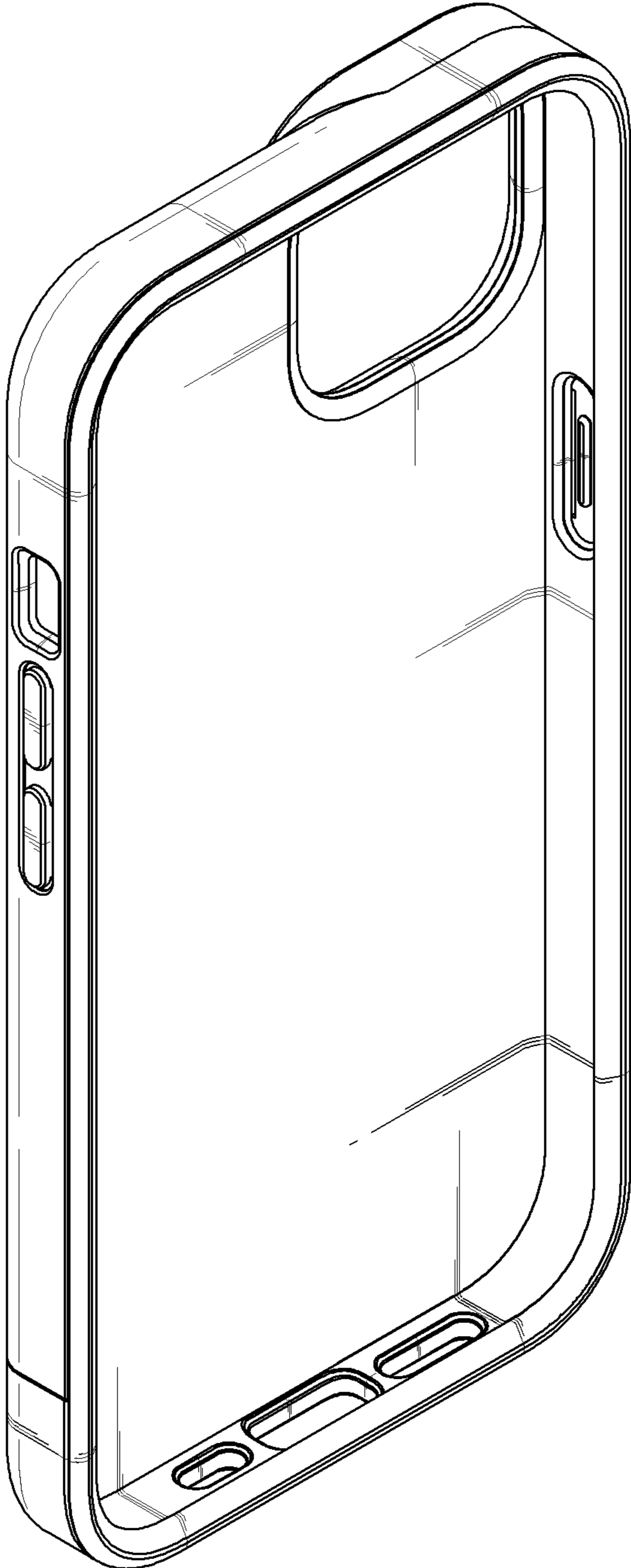


FIG. 2

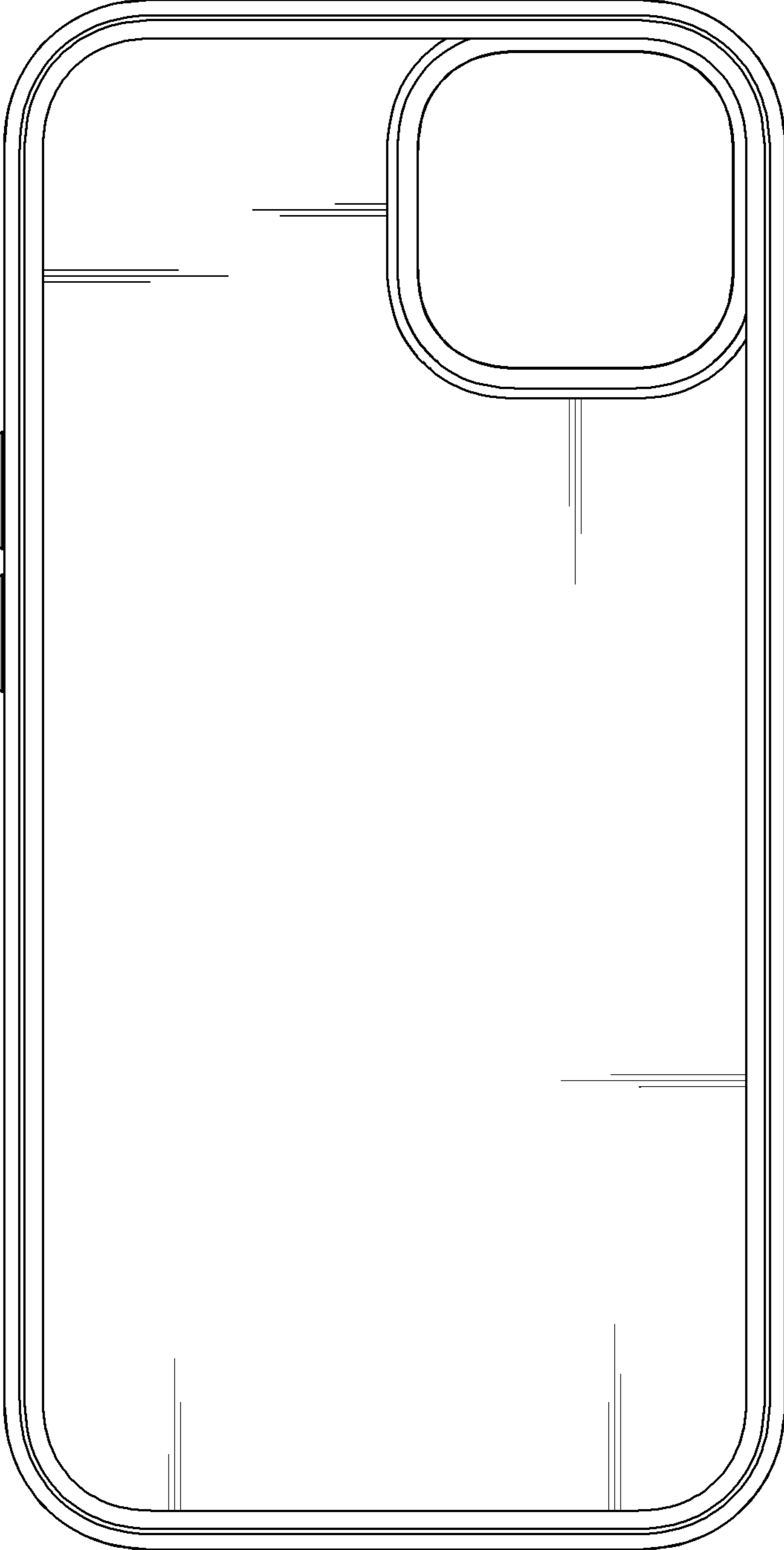


FIG. 3

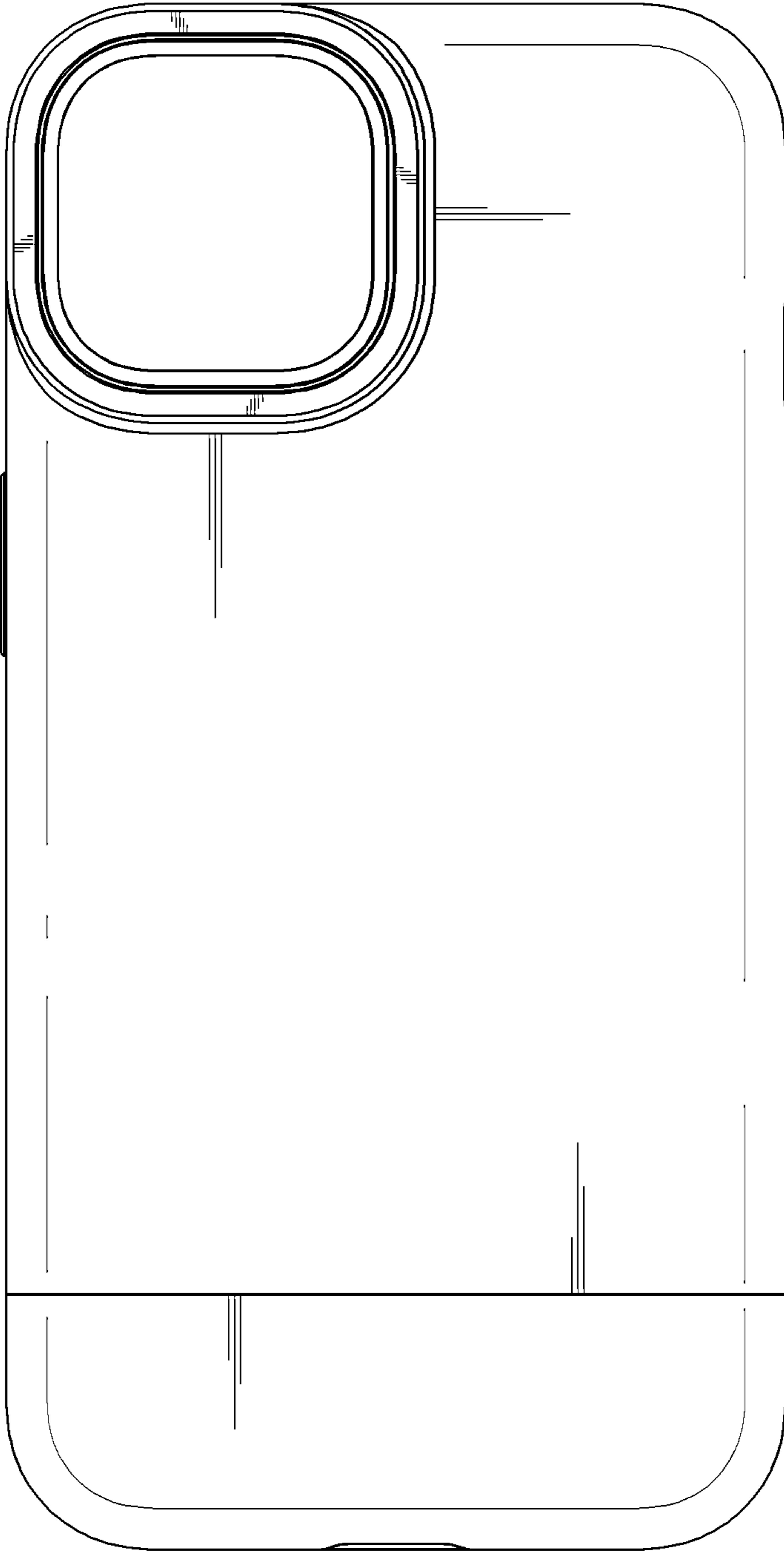


FIG. 4

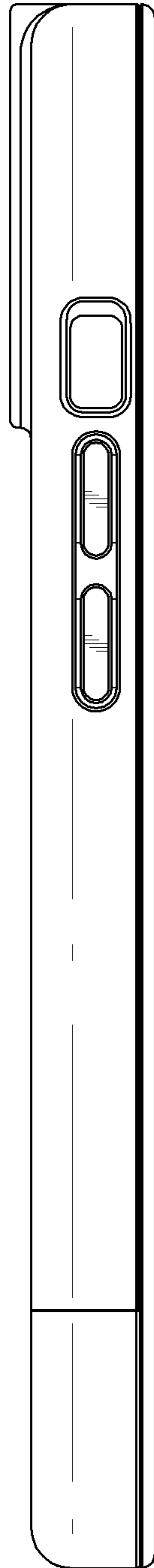


FIG. 5

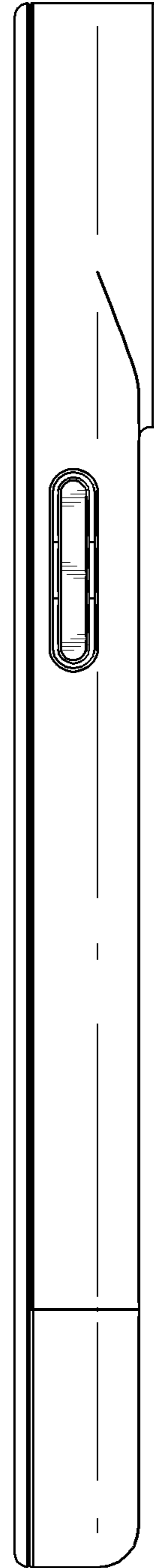


FIG. 6

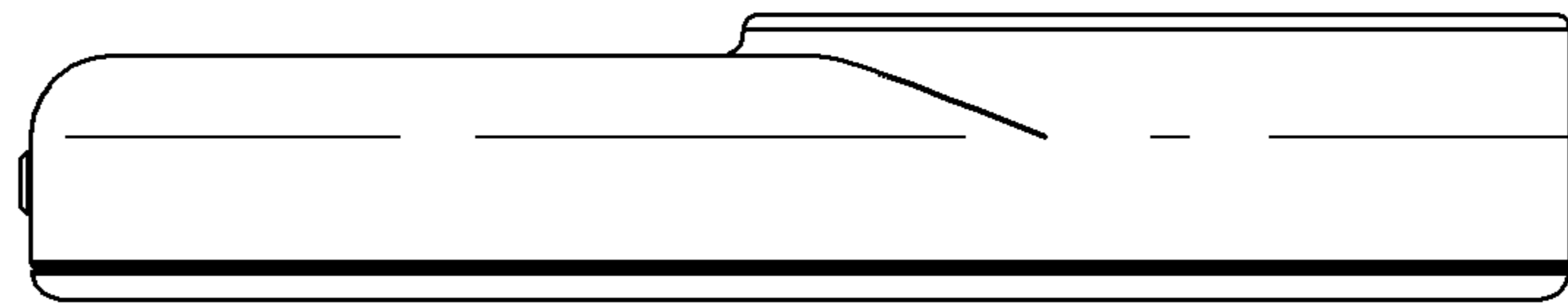


FIG. 7

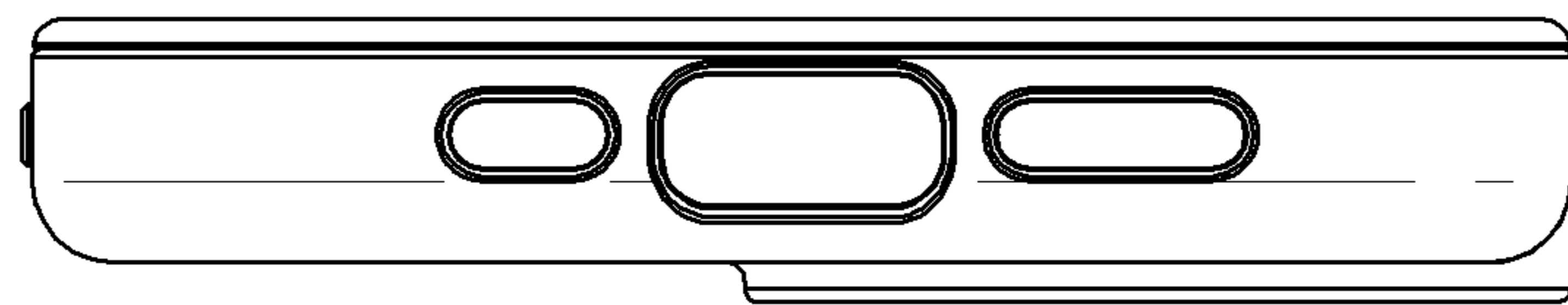


FIG. 8

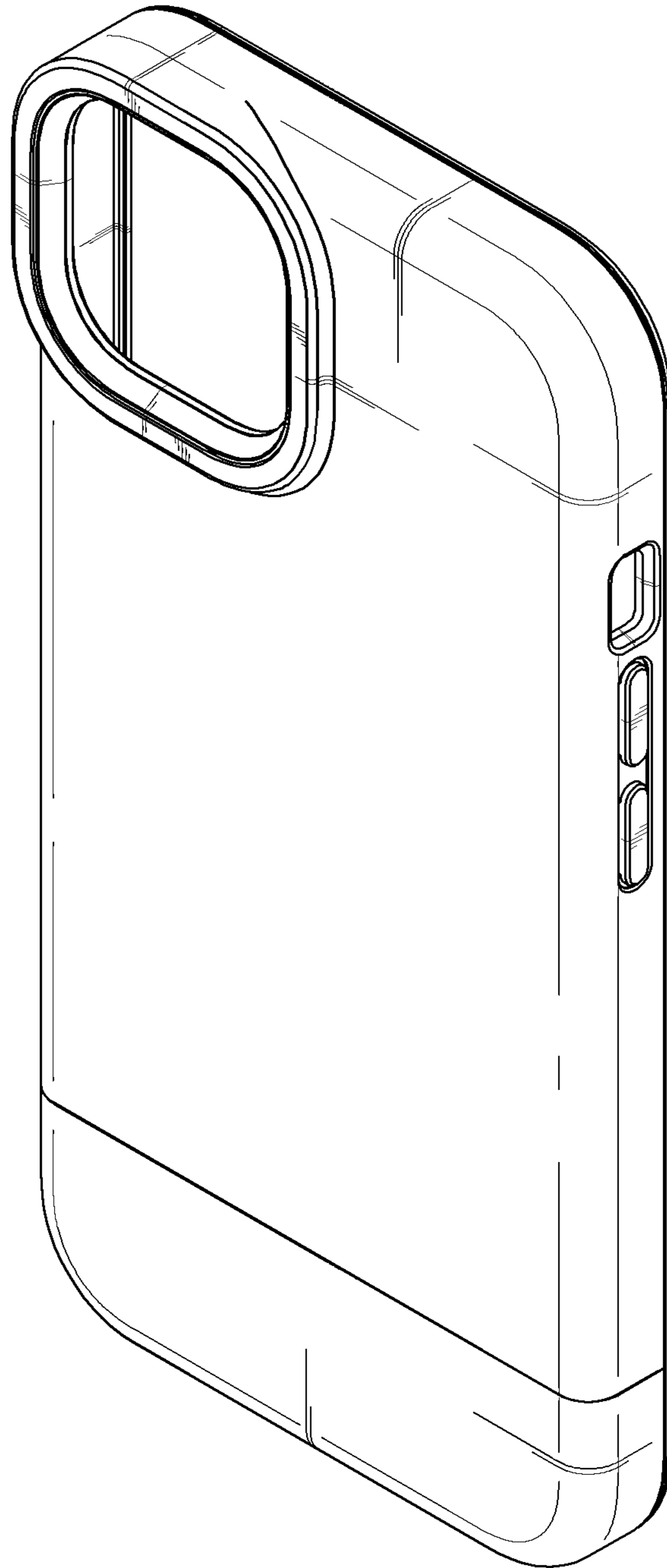




FIG. 9

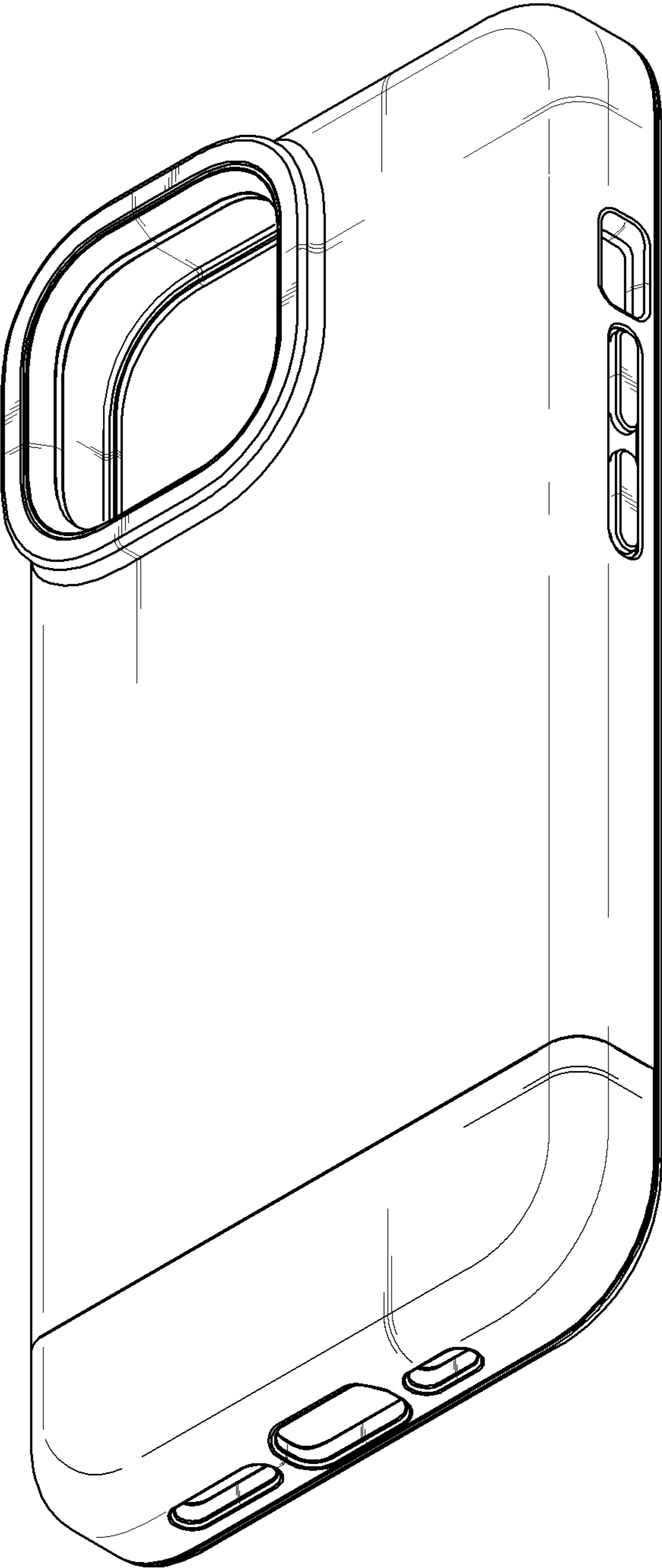


FIG. 10

