



US00D960140S

(12) **United States Design Patent** (10) **Patent No.:** **US D960,140 S**
He (45) **Date of Patent:** **** Aug. 9, 2022**

(54) **PHONE CASE**
(71) Applicant: **Xiuying He**, Hunan Province (CN)
(72) Inventor: **Xiuying He**, Hunan Province (CN)
(**) Term: **15 Years**
(21) Appl. No.: **29/799,522**
(22) Filed: **Jul. 15, 2021**
(51) **LOC (13) Cl.** **14-03**
(52) **U.S. Cl.**
USPC **D14/250**
(58) **Field of Classification Search**
USPC D14/203.3–203.7, 439, 251–253, 447,
D14/217, 240, 238.1, 440, 248, 250;
D13/103, 107–108, 119; D3/201, 218,
D3/247, 249, 269, 273, 301, 303
CPC H04B 1/3888; A45C 11/00; A45C 13/02;
A45C 2011/002; A45C 1/06; A45F
2200/0525; A45F 2005/026; A45F
2200/0516; H04M 1/0283; H04M 1/0202
See application file for complete search history.

(56) **References Cited**

U.S. PATENT DOCUMENTS

D344,182 S * 2/1994 Guzman-Rosario D3/247
D414,033 S * 9/1999 Rohm D3/249
D667,394 S * 9/2012 Bau D14/132
D698,773 S * 2/2014 Wildner D14/250
D714,054 S * 9/2014 Kershenstein D3/269
D729,522 S * 5/2015 Kim D3/249
D738,620 S * 9/2015 Schmole D3/249
D762,615 S * 8/2016 Kim D14/203.4
D767,888 S * 10/2016 Kim D3/249
D779,474 S * 2/2017 Kim D14/250
D793,082 S * 8/2017 Zhang D3/249
D794,952 S * 8/2017 Feng D3/247
D806,378 S * 1/2018 Lerenthal D3/201
D816,181 S * 4/2018 Chen D22/117
D822,989 S * 7/2018 Persson D3/249

D843,992 S * 3/2019 Lu D14/250
D844,596 S * 4/2019 Liu D14/250
D856,319 S * 8/2019 Deng D14/250
D856,671 S * 8/2019 Li D3/249
D871,066 S * 12/2019 Feng D3/249
D872,722 S * 1/2020 Zhou D14/250
D874,136 S * 2/2020 Feng D3/249
D880,855 S * 4/2020 Lu D3/249
D900,800 S * 11/2020 Sirju D3/249

(Continued)

Primary Examiner — Carla J Wright

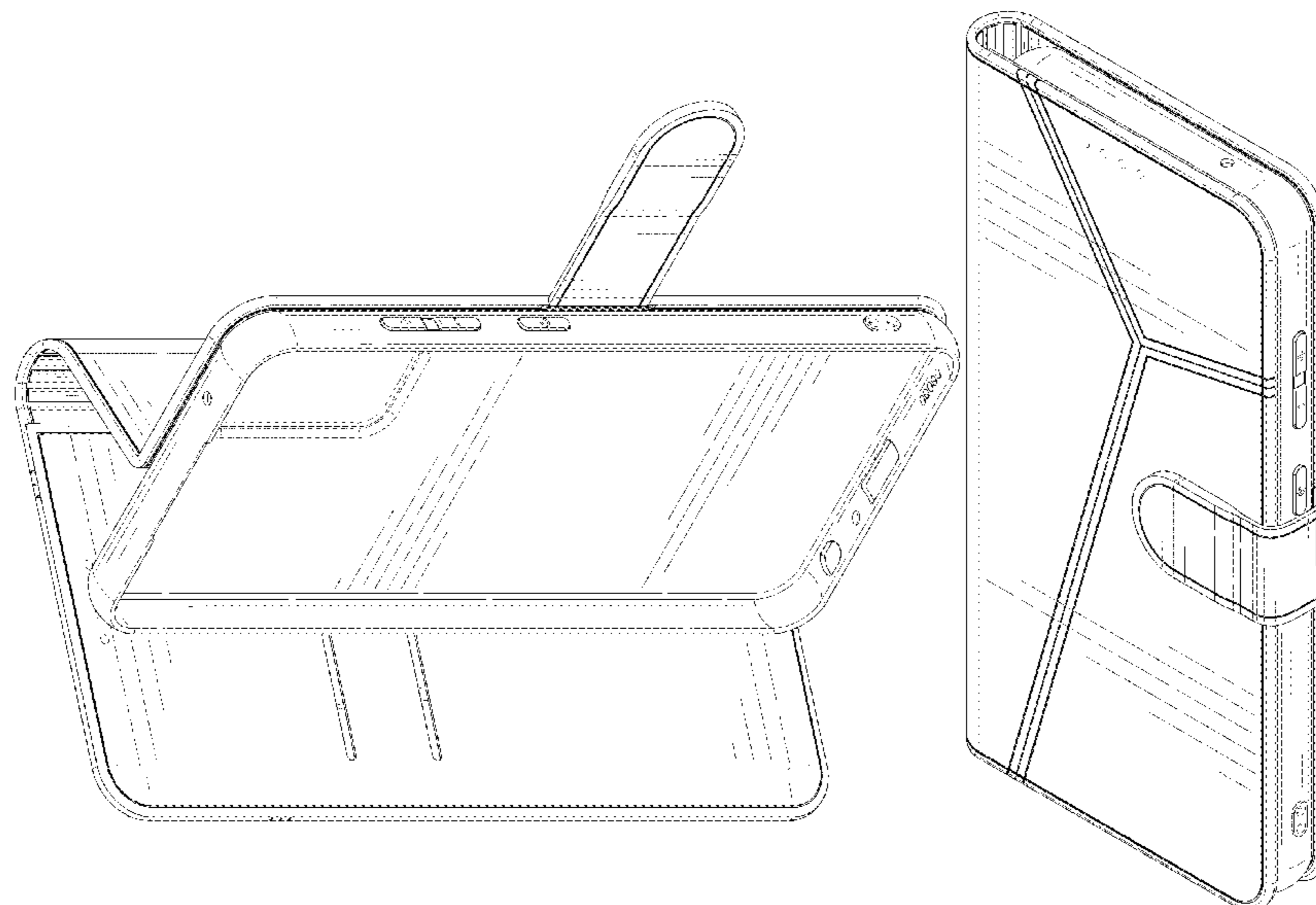
(57) **CLAIM**

The ornamental design for a phone case, as shown and described.

DESCRIPTION

FIG. 1 is a front and top perspective view of a phone case, showing my new design;
FIG. 2 is a rear and bottom perspective view thereof;
FIG. 3 is a front elevation view thereof;
FIG. 4 is a rear elevation view thereof;
FIG. 5 is a left side elevation view thereof;
FIG. 6 is a right side elevation view thereof;
FIG. 7 is a top plan view thereof;
FIG. 8 is a bottom plan view thereof;
FIG. 9 is another perspective view thereof, shown in an alternative position;
FIG. 10 is another perspective view thereof, shown in an alternative position;
FIG. 11 is an enlarged view of a portion labeled, 'FIG. 11' in FIG. 1; and,
FIG. 12 is an enlarged view of a portion labeled, 'FIG. 12' in FIG. 2.
The broken lines in the figures illustrate portions of the phone case that form no part of the claimed design. The dash dot dash lines in FIGS. 1, 2, 11 and 12 are for the purpose of depicting the cut line of the enlarged view and form no part of the claim.

1 Claim, 12 Drawing Sheets



(56)

References Cited

U.S. PATENT DOCUMENTS

D900,801 S * 11/2020 Zhang D3/249
D906,321 S * 12/2020 Feng D3/249
D917,442 S * 4/2021 Feng D3/249
D917,451 S 4/2021 Ng
D924,861 S * 7/2021 Zhong D14/250
2015/0034291 A1* 2/2015 Wong F28F 21/00
165/185
2015/0155902 A1* 6/2015 Lin H04M 1/04
455/575.8
2015/0230570 A1* 8/2015 Kim H04M 1/185
150/139
2019/0072998 A1* 3/2019 Hwang G06F 1/1626

* cited by examiner

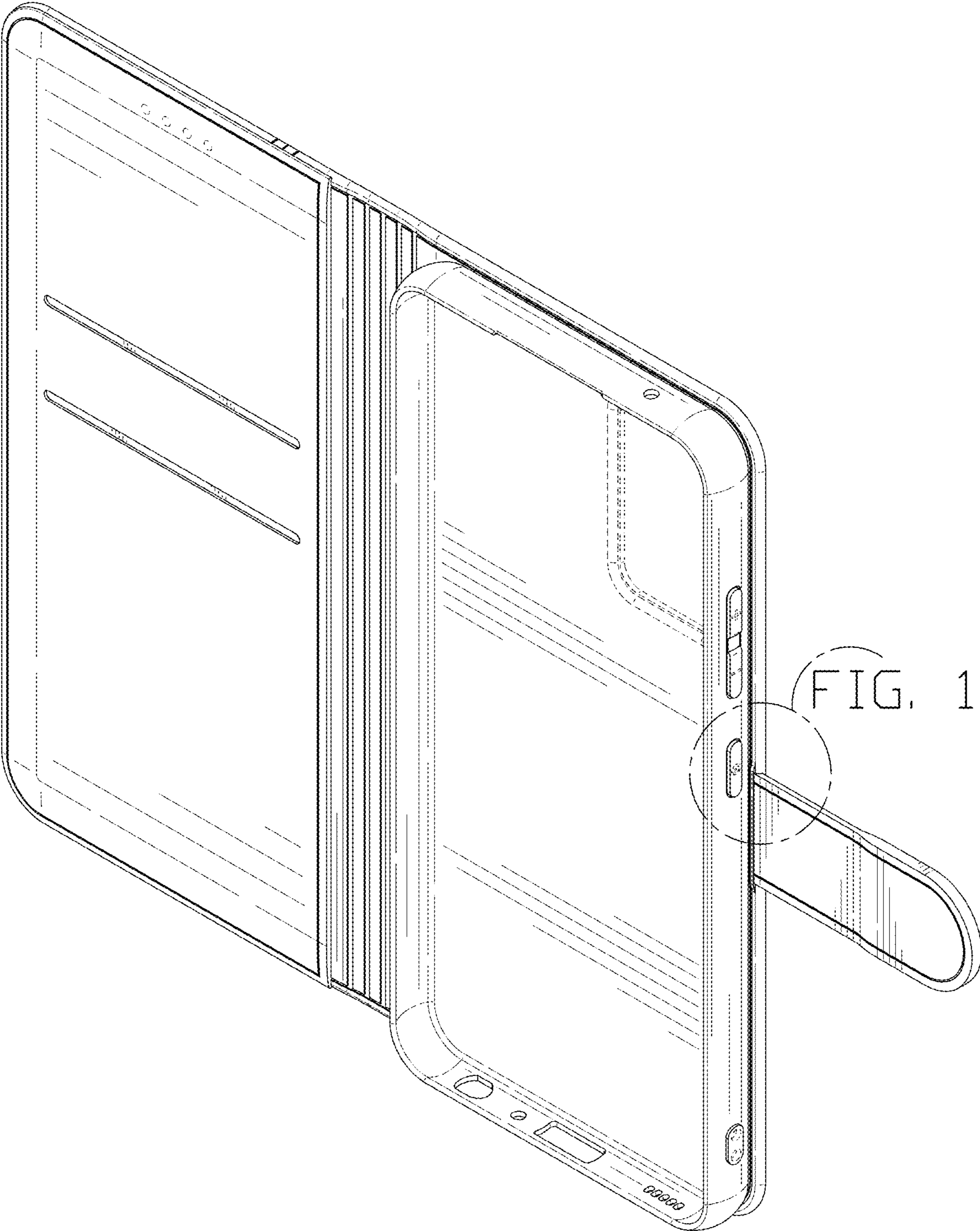


FIG. 1

FIG. 11

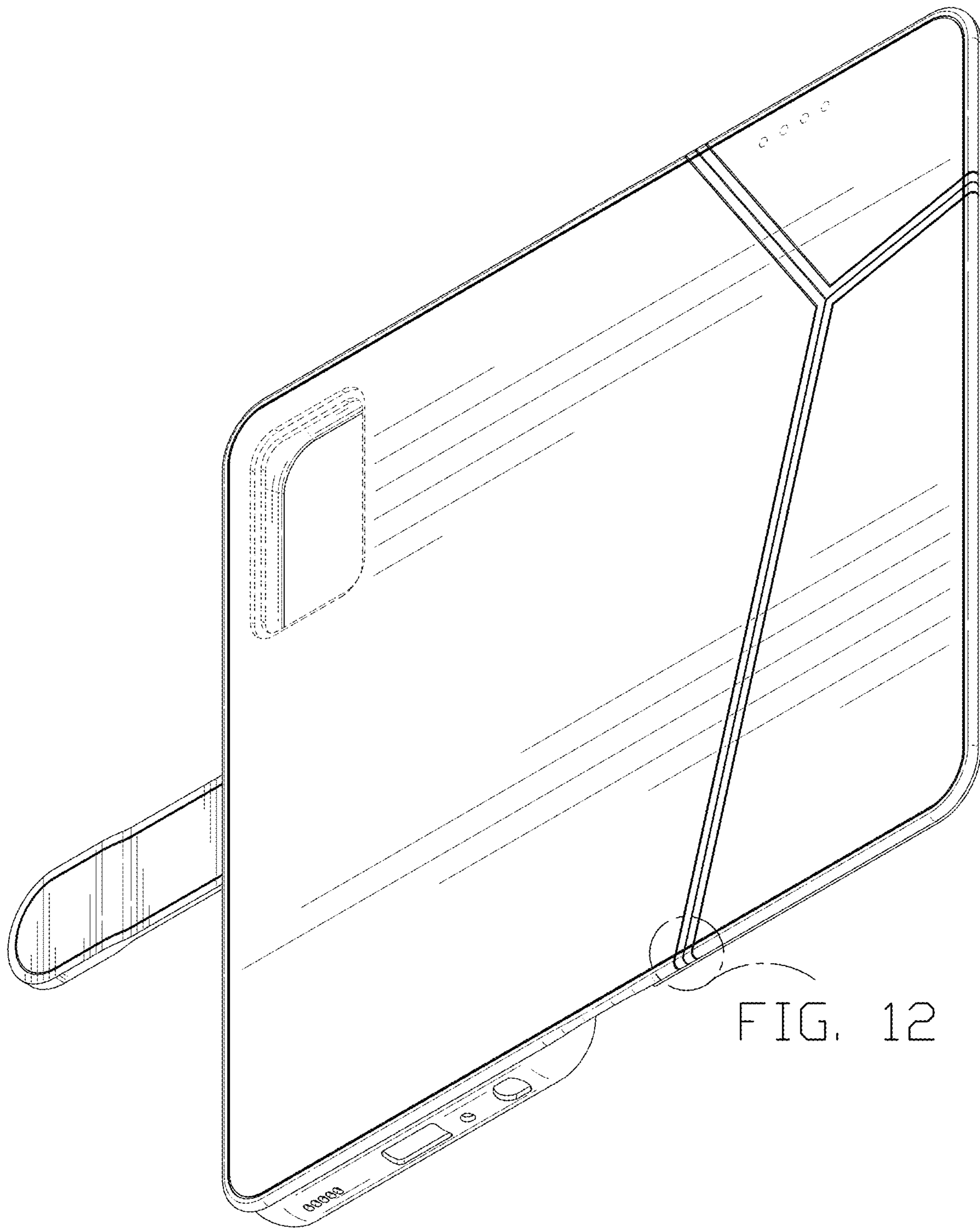


FIG. 2

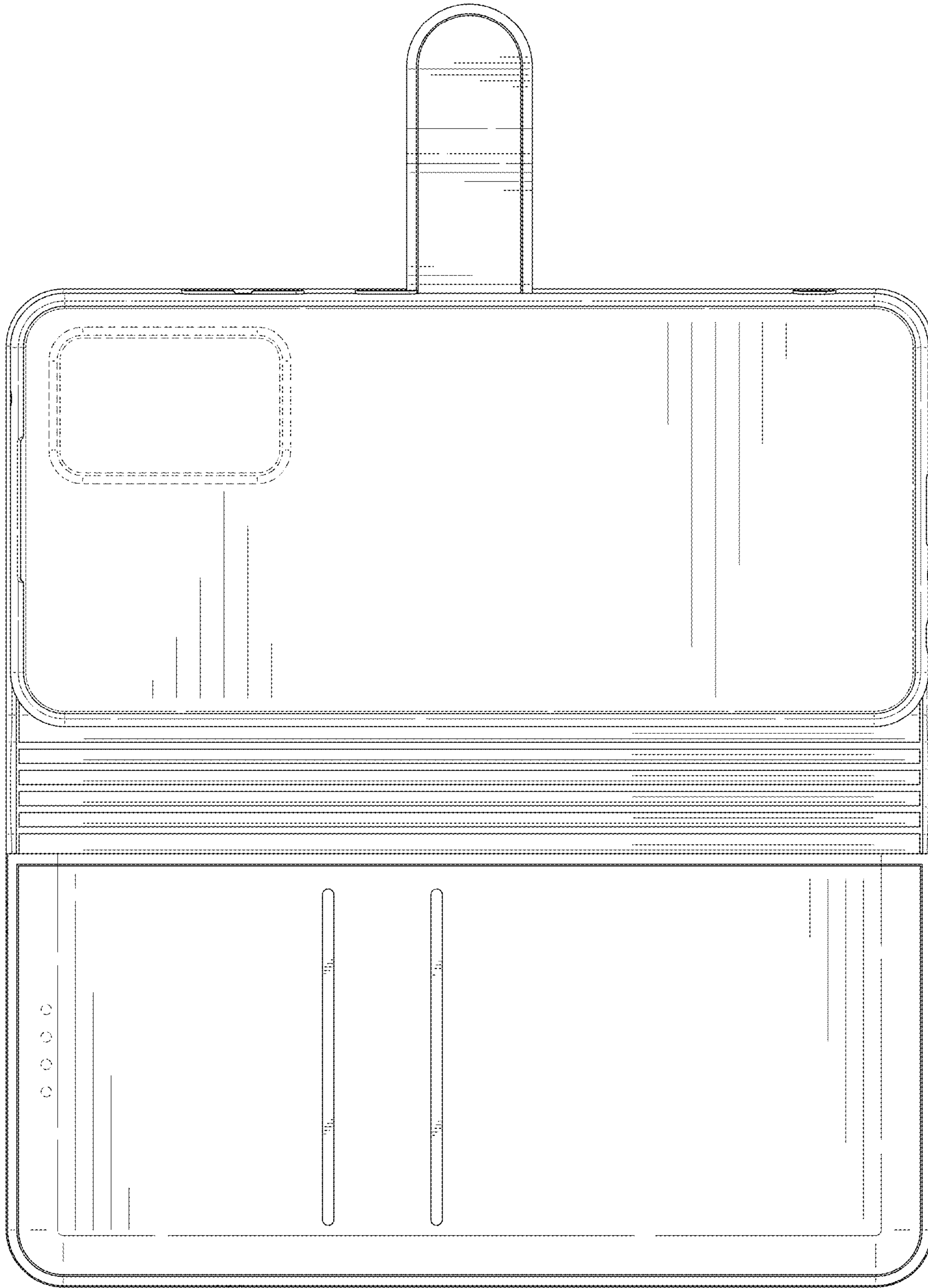


FIG. 3

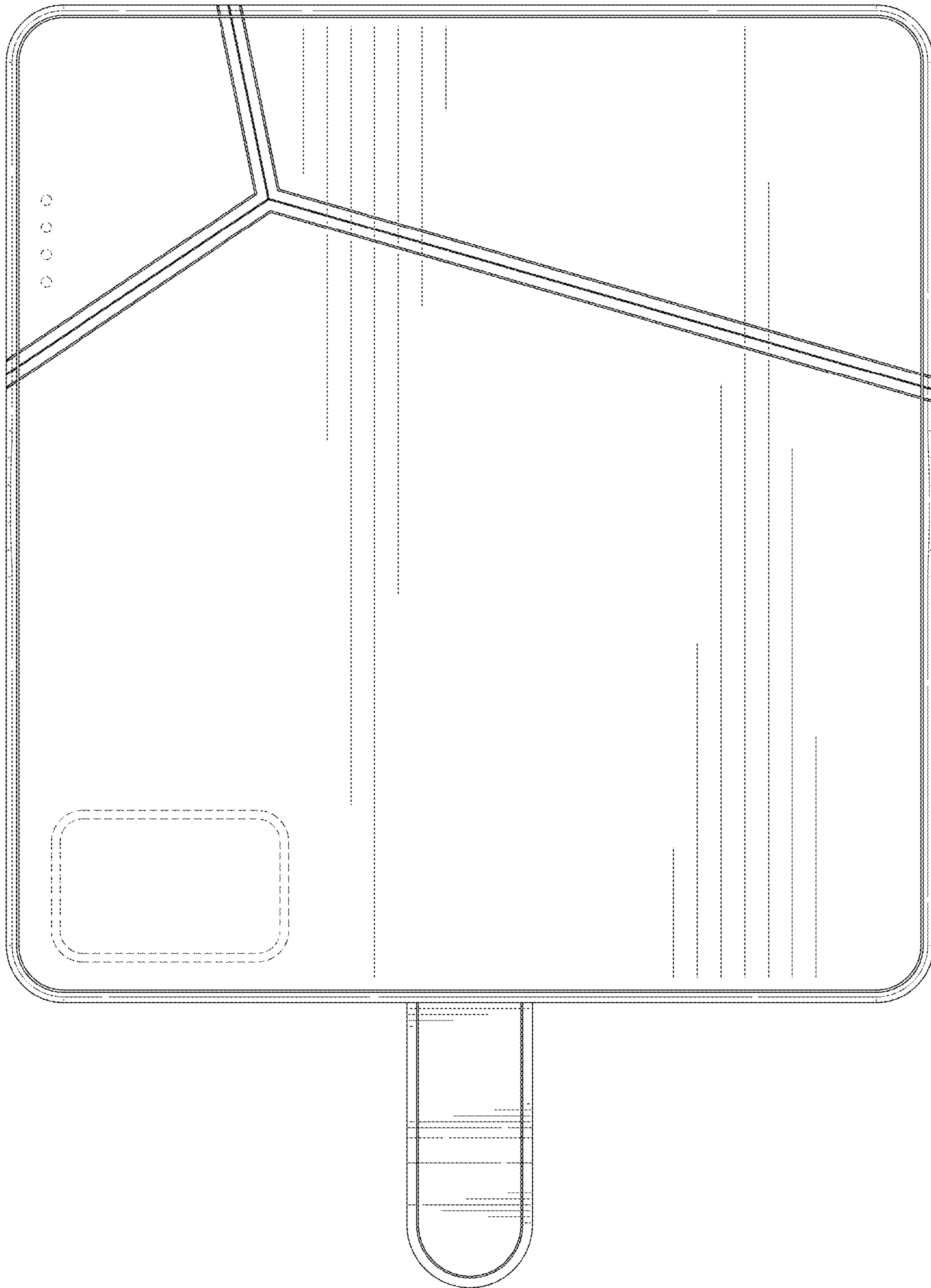


FIG. 4

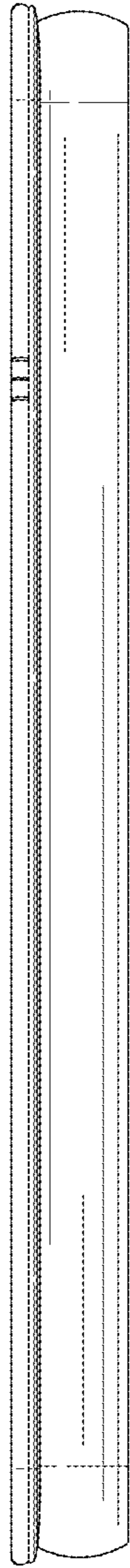


FIG. 5

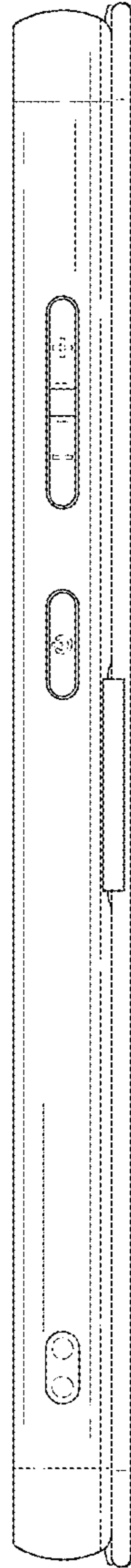


FIG. 6

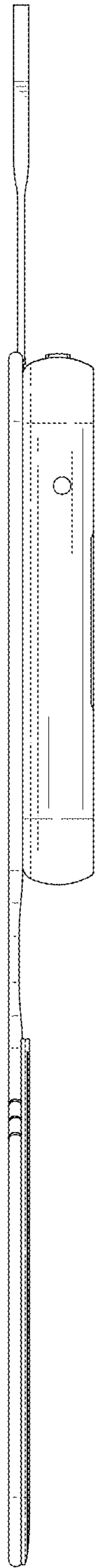


FIG. 7

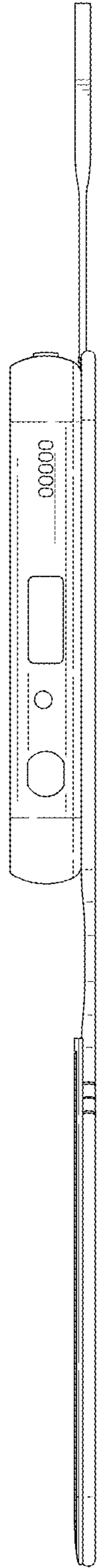


FIG. 8

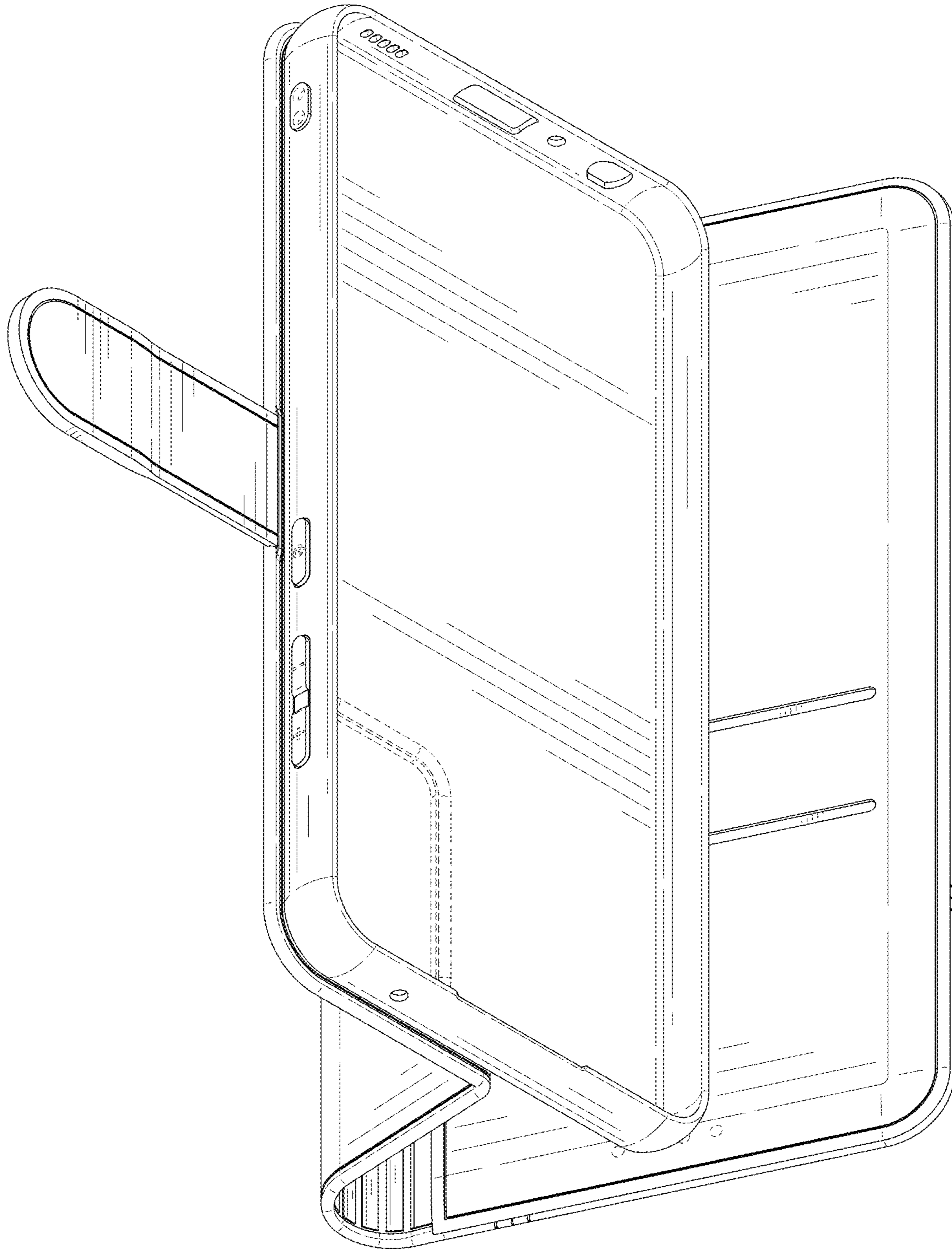


FIG. 9

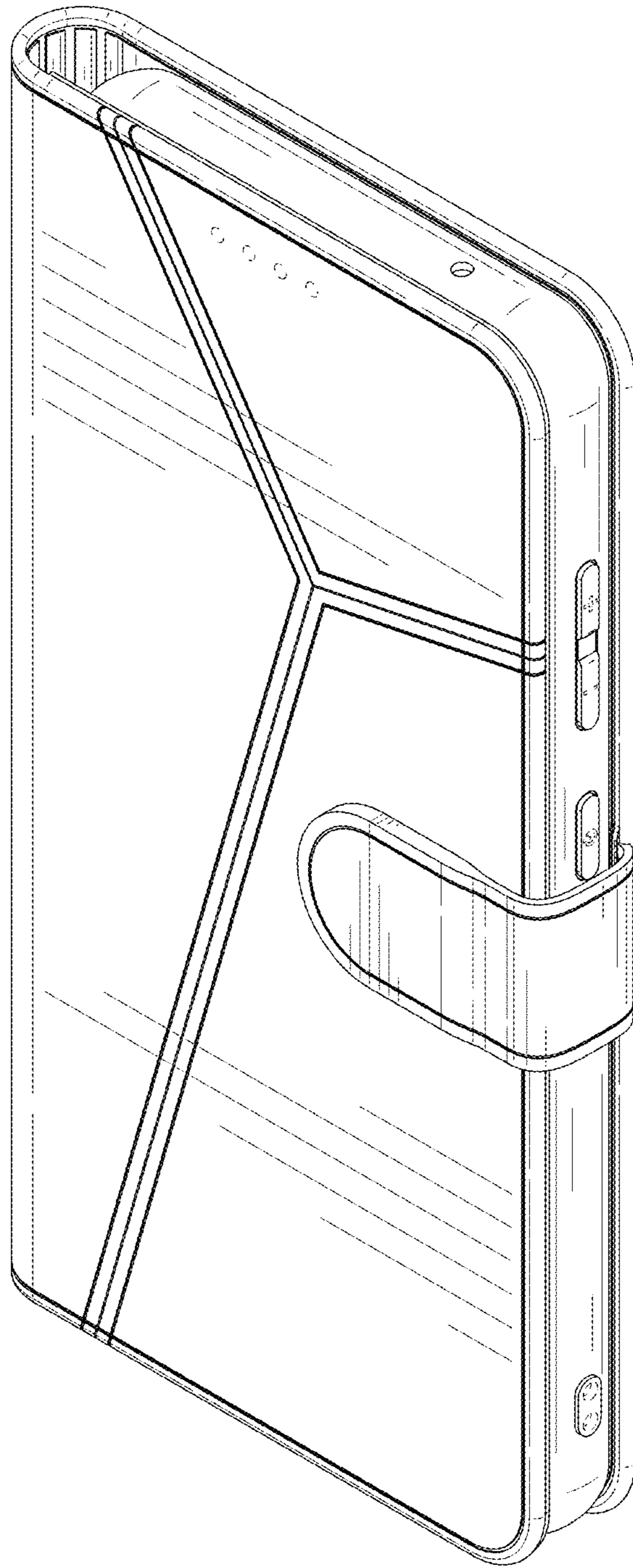


FIG. 10

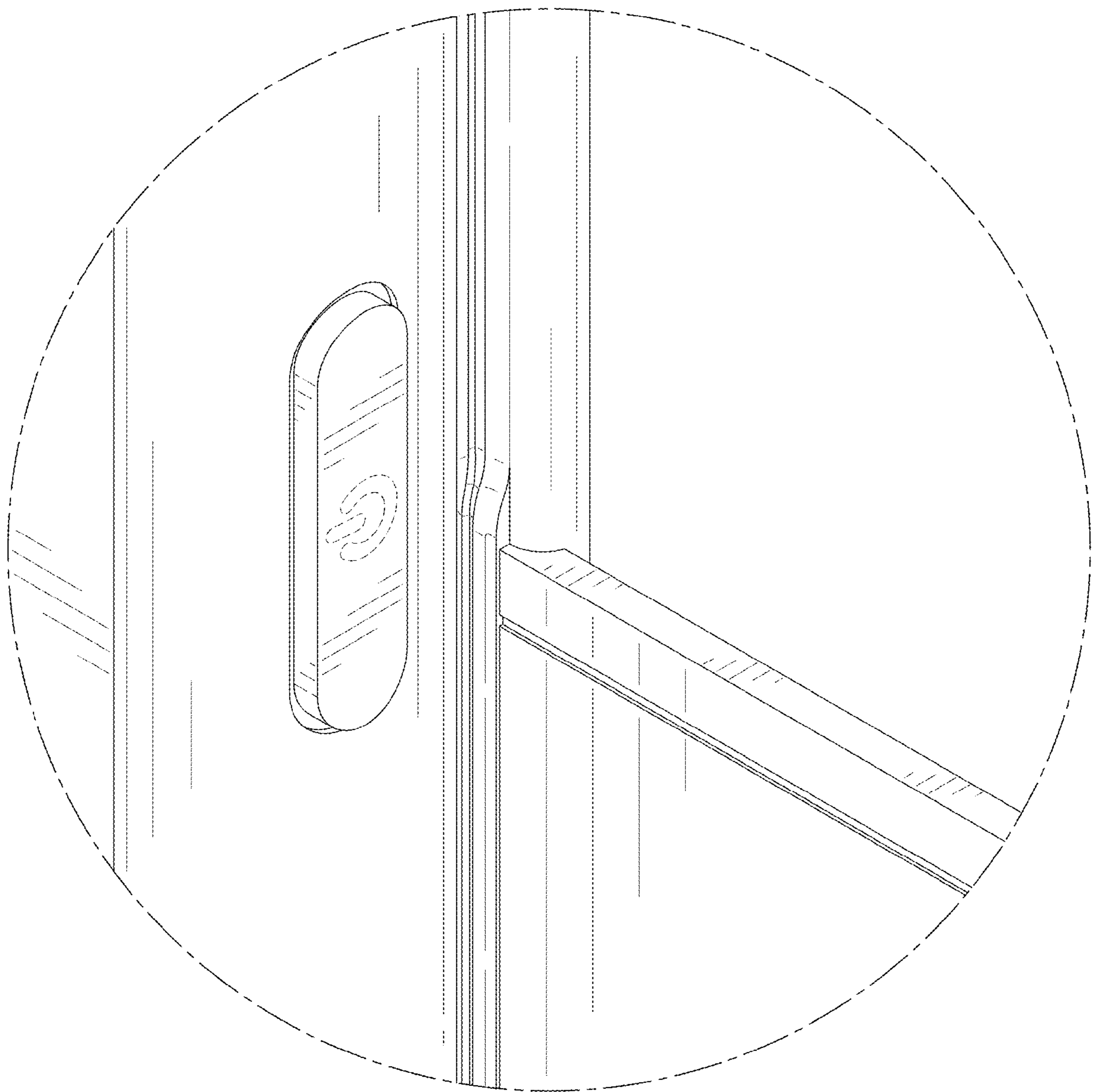


FIG. 11

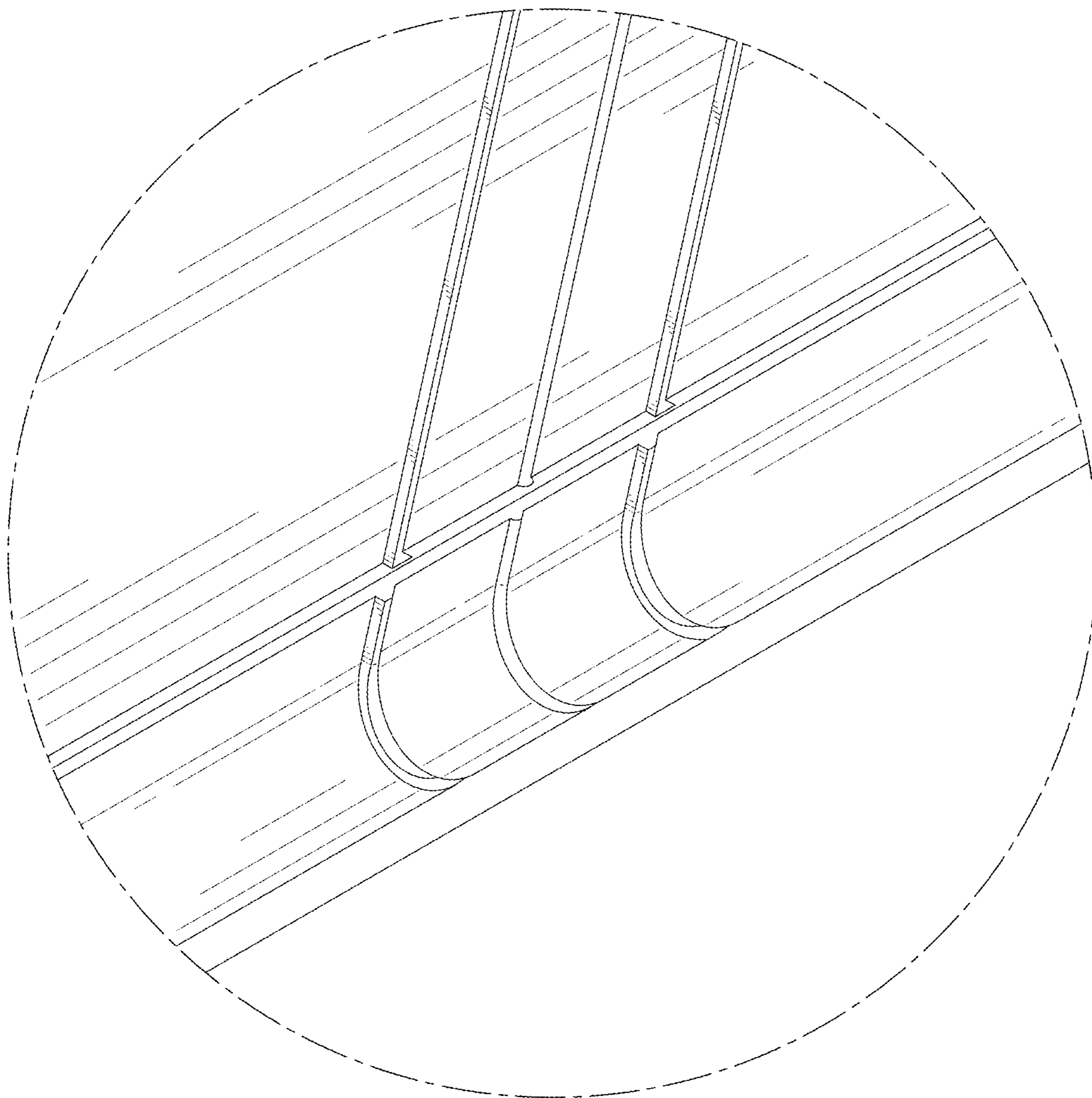


FIG. 12