

US00D960139S

(12) **United States Design Patent**  
**Li**

(10) **Patent No.:** **US D960,139 S**

(45) **Date of Patent:** **\*\* Aug. 9, 2022**

- (54) **CELL PHONE CASE**
- (71) Applicant: **Dongguan Yuansheng Technology Co., Ltd.**, Dongguan (CN)
- (72) Inventor: **Lingchen Li**, Dongguan (CN)
- (73) Assignee: **Dongguan Yuansheng Technology Co., Ltd.**, Dongguan (CN)
- (\*\*) Term: **15 Years**
- (21) Appl. No.: **29/796,227**
- (22) Filed: **Jun. 23, 2021**
- (51) **LOC (13) Cl.** ..... **14-03**
- (52) **U.S. Cl.**  
USPC ..... **D14/250**
- (58) **Field of Classification Search**  
USPC ..... D14/203.3–203.7, 439, 251–253, 447,  
D14/217, 240, 238.1, 440, 248, 250;  
D13/103, 107–108, 119; D3/201, 218,  
D3/247, 249, 269, 273, 301, 303  
CPC ..... H04B 1/3888; A45C 11/00; A45C 13/02;  
A45C 2011/002; A45C 1/06; A45F  
2200/0525; A45F 2005/026; A45F  
2200/0516; H04M 1/0283; H04M 1/0202  
See application file for complete search history.

(56) **References Cited**

U.S. PATENT DOCUMENTS

- D329,049 S \* 9/1992 Peersmann ..... D18/6
- D330,377 S \* 10/1992 Renard ..... D14/247
- D399,040 S \* 10/1998 Merceron ..... D2/954
- D470,135 S \* 2/2003 Buessler ..... D14/248
- D482,038 S \* 11/2003 Gustafsson ..... D14/447
- D528,126 S \* 9/2006 Kim ..... D14/203.3
- D553,357 S \* 10/2007 Zimmerman ..... D3/269
- D598,493 S \* 8/2009 Flynn ..... D19/9
- D609,463 S \* 2/2010 Bullen
- D668,245 S \* 10/2012 Bau ..... D14/132

- D691,122 S \* 10/2013 Bau ..... D14/250
- D694,226 S \* 11/2013 Thompson ..... D14/250
- D694,703 S \* 12/2013 Faro ..... D13/103
- 8,706,176 B1 \* 4/2014 Jia ..... H04M 1/04  
455/575.8
- D705,765 S \* 5/2014 Fathollahi ..... D14/250
- D715,785 S \* 10/2014 Jacob ..... D14/250
- D716,283 S \* 10/2014 Lee ..... D14/250
- D723,017 S \* 2/2015 Song ..... D14/250
- D727,885 S \* 4/2015 Requa ..... D14/250
- D730,340 S \* 5/2015 Akana ..... D14/250
- D732,729 S \* 6/2015 McKechnie ..... D26/118
- 9,182,785 B2 \* 11/2015 Wyner ..... A45F 5/00
- D768,123 S \* 10/2016 Armstrong ..... D14/250
- D771,027 S 11/2016 Prstojevich et al.
- D812,065 S \* 3/2018 Shim ..... D14/440
- D832,269 S \* 10/2018 Cheng ..... D14/440
- D841,639 S \* 2/2019 Liao ..... D14/250
- D842,286 S \* 3/2019 Weaver ..... D14/250
- D893,468 S \* 8/2020 Weng ..... D14/250

(Continued)

*Primary Examiner* — Carla J Wright

(74) *Attorney, Agent, or Firm* — Georgi Korobanov

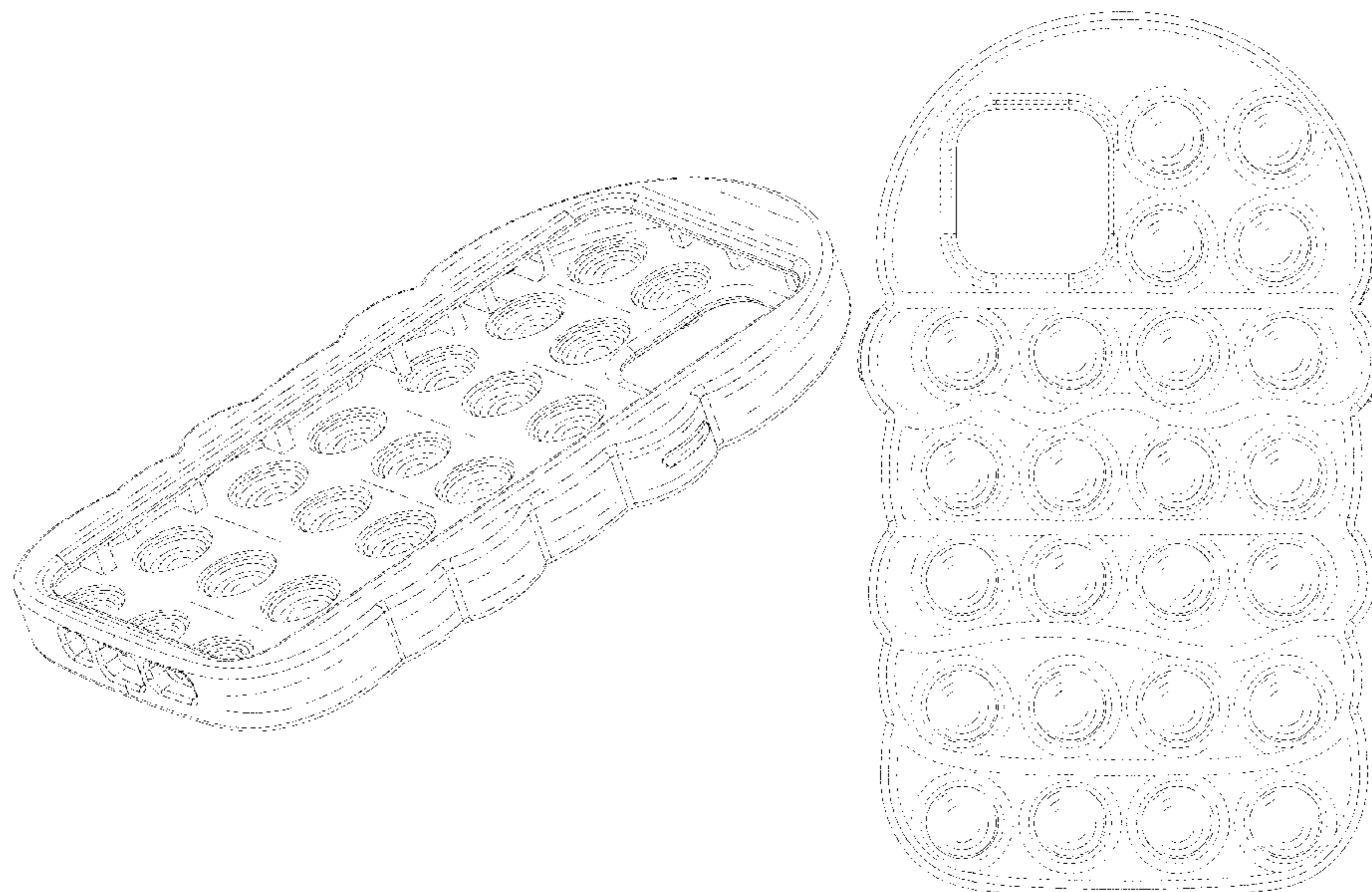
(57) **CLAIM**

The ornamental design for a cell phone case, as shown and described.

**DESCRIPTION**

FIG. 1 is a front, right-side, and bottom perspective view of a cell phone case showing my new design;  
 FIG. 2 is a front view thereof;  
 FIG. 3 is a rear view thereof;  
 FIG. 4 is a left side view thereof;  
 FIG. 5 is a right side view thereof;  
 FIG. 6 is a top plan view thereof; and,  
 FIG. 7 is a bottom plan view thereof.  
 The broken lines in drawing FIG. 3 form no part of the claimed design and depict portions of the cell phone case that form no part of the claimed design.

**1 Claim, 7 Drawing Sheets**



(56)

**References Cited**

U.S. PATENT DOCUMENTS

D906,967 S \* 1/2021 Xiao ..... D13/168  
D917,496 S \* 4/2021 Chen ..... D14/440  
2019/0045643 A1\* 2/2019 Kang ..... H05K 5/0243  
2020/0405027 A1\* 12/2020 Chenier ..... A45C 11/00

\* cited by examiner

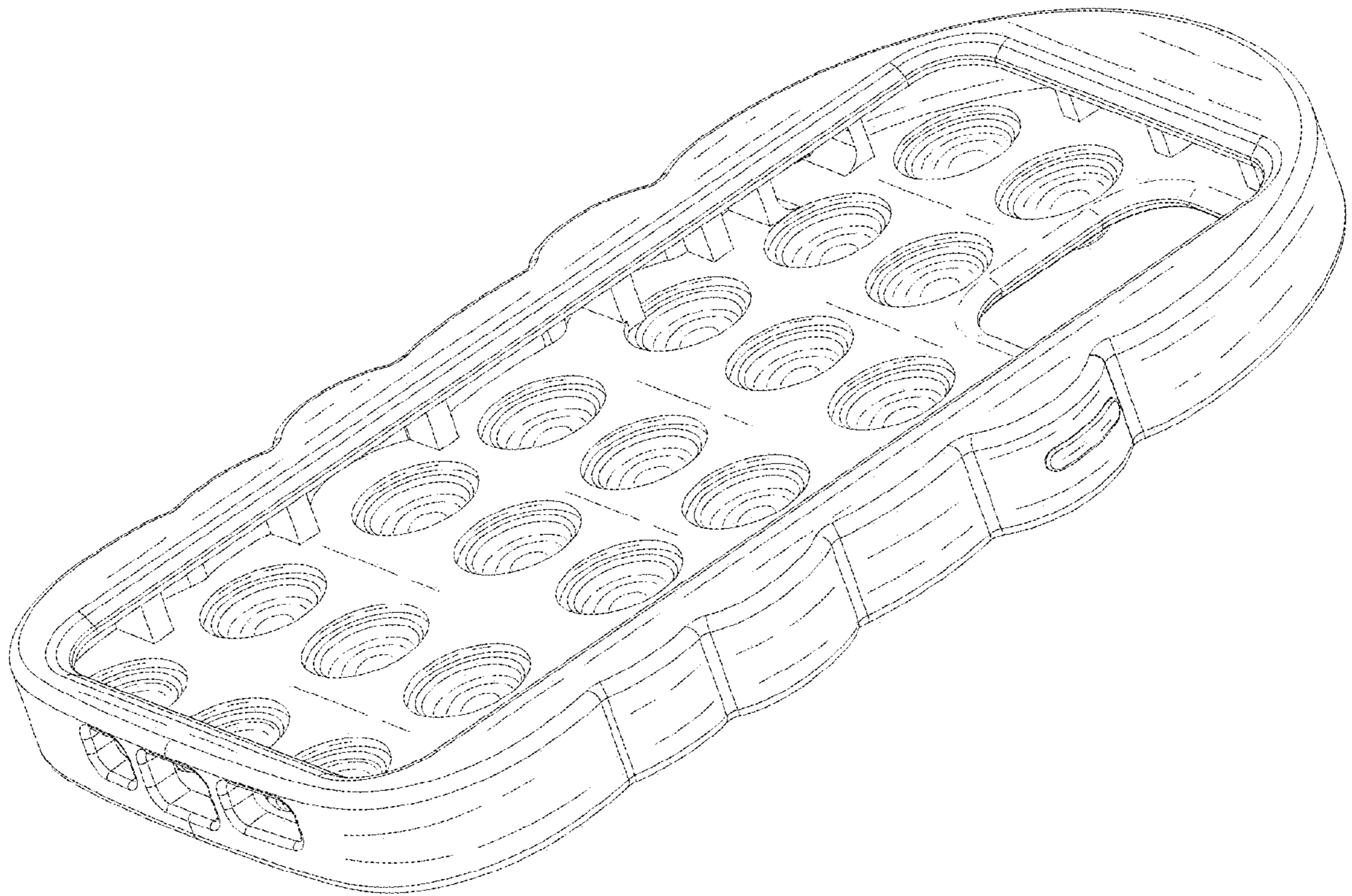


FIG.1



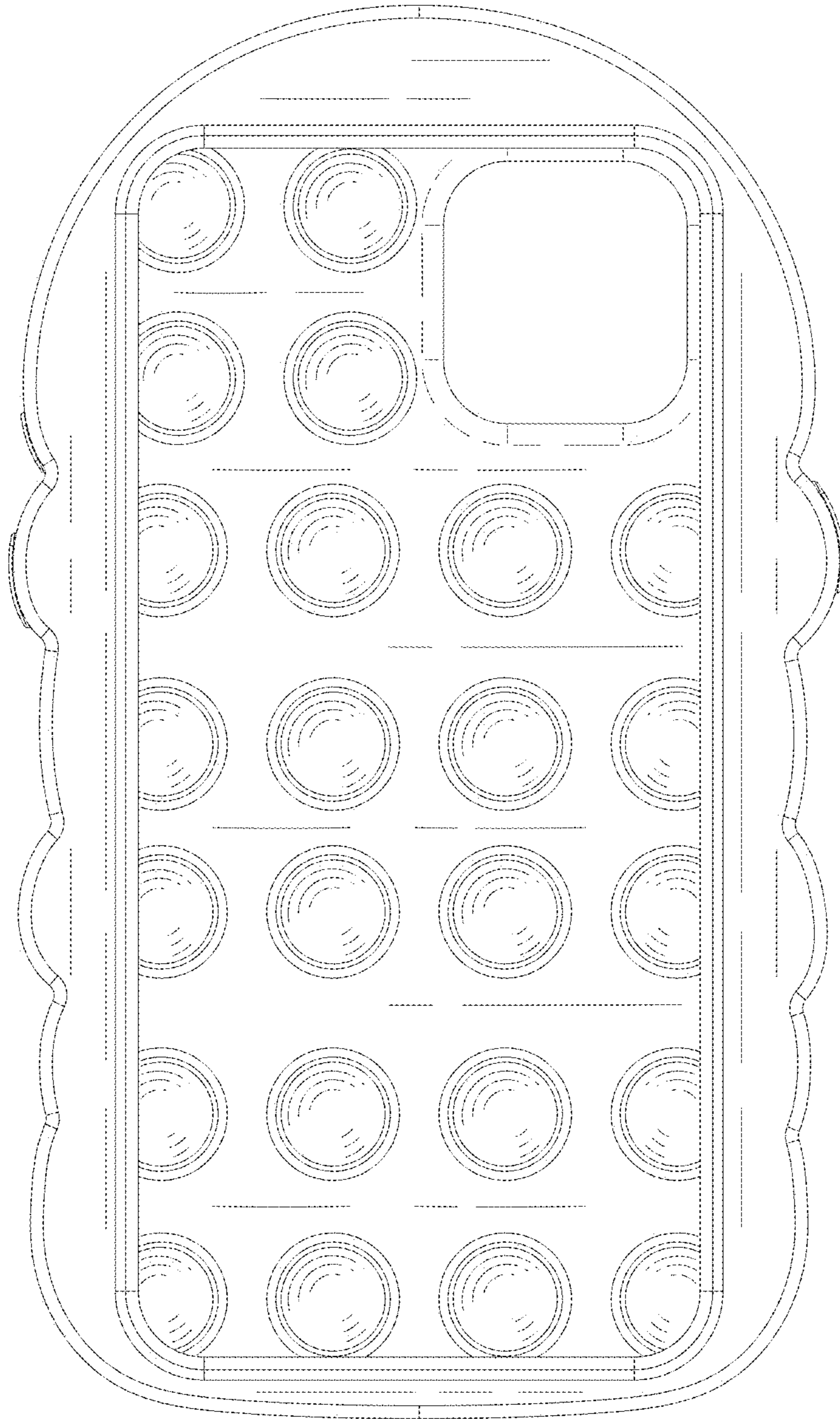


FIG.2

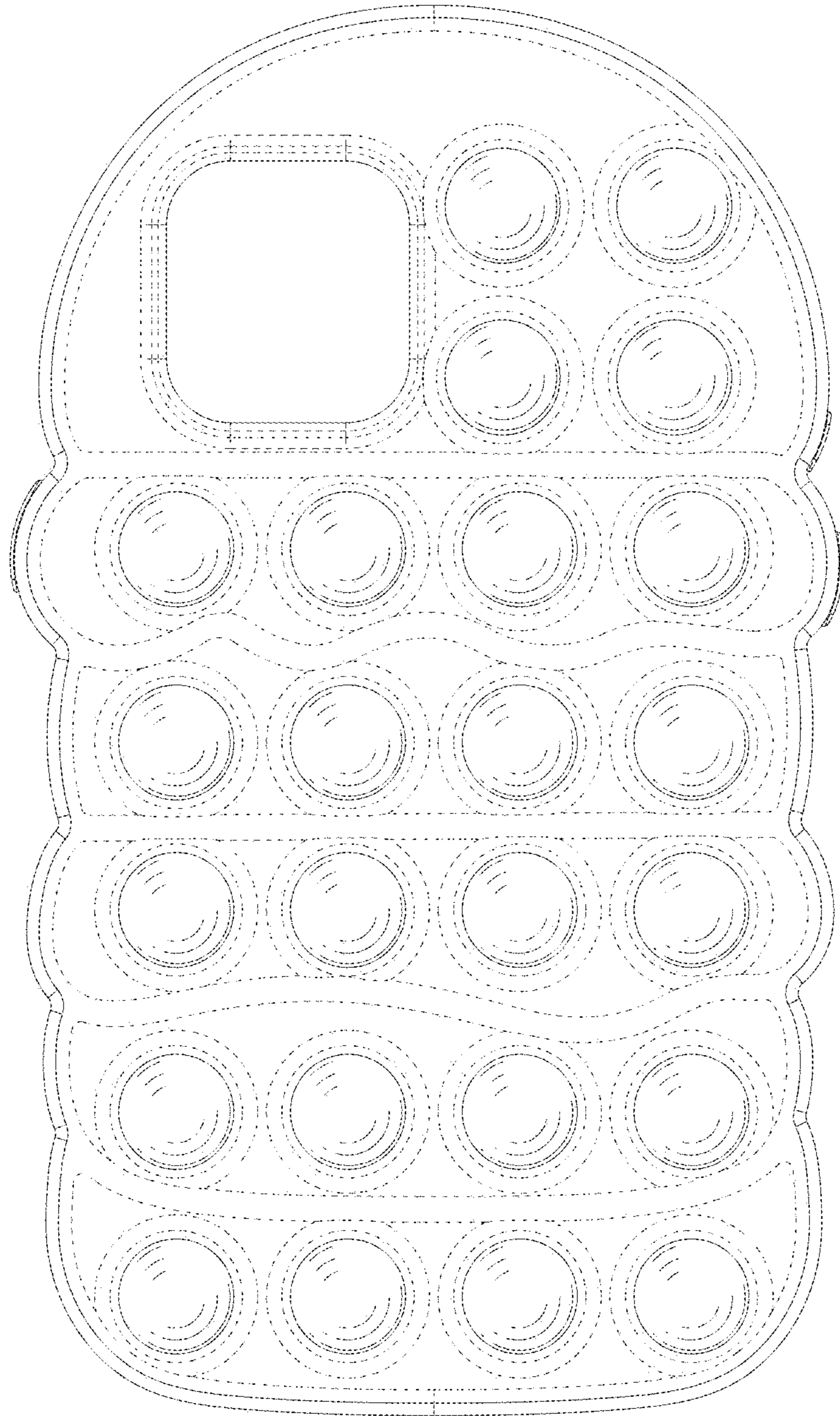


FIG.3

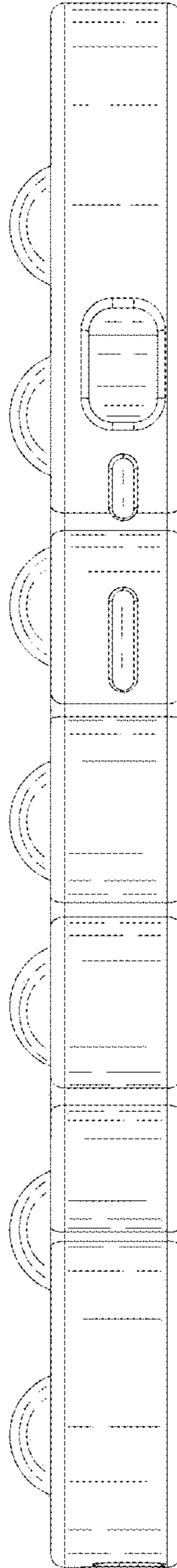


FIG.4

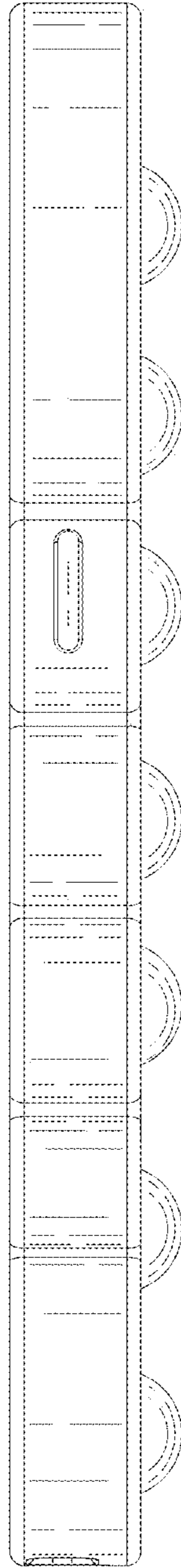


FIG.5

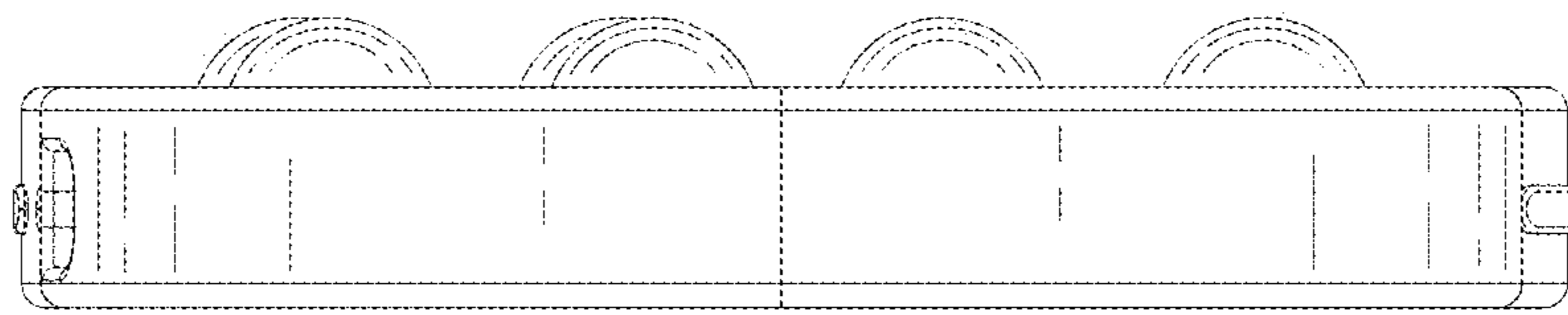


FIG.6



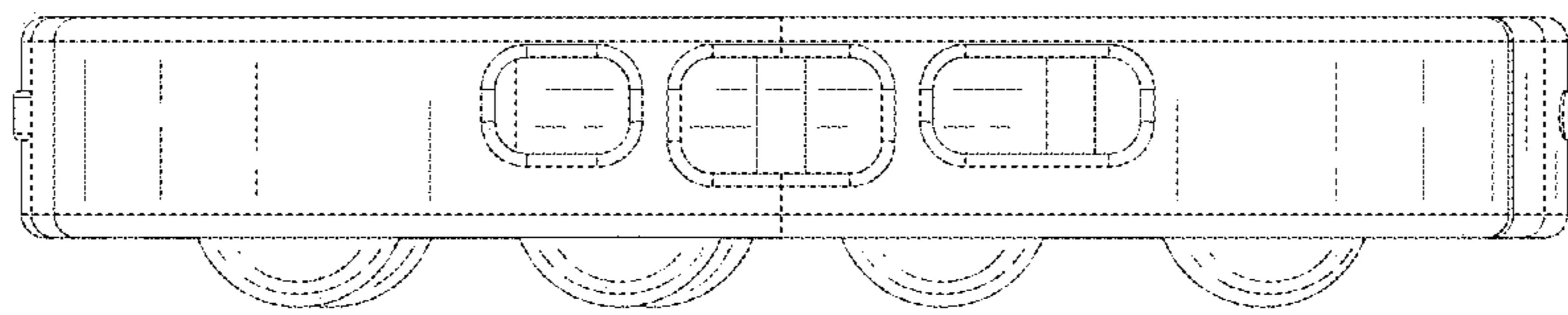


FIG.7