

US00D960134S

(12) **United States Design Patent** (10) **Patent No.:** **US D960,134 S**  
**Davidson** (45) **Date of Patent:** **\*\* Aug. 9, 2022**

(54) **CASTORED BASE**

(71) Applicant: **Murray Ian Davidson**, Red Hill (AU)

(72) Inventor: **Murray Ian Davidson**, Red Hill (AU)

(\*\*) Term: **15 Years**

(21) Appl. No.: **29/772,358**

(22) Filed: **Mar. 1, 2021**

(30) **Foreign Application Priority Data**

Sep. 1, 2020 (AU) ..... 202014749

(51) **LOC (13) Cl.** ..... **14-03**

(52) **U.S. Cl.**

USPC ..... **D14/239**

(58) **Field of Classification Search**

USPC ..... D14/371-382, 125-129, 336, 337,  
D14/447-452, 492, 335, 376-382, 239,  
D14/457, 439-441, 432, 251-253;  
D8/349, 354, 363, 373, 376, 380;  
D21/333; D12/415; D3/218; 348/180,  
348/184, 325, 739, 825; D6/343, 349,  
D6/681, 681.2, 685, 692.6

CPC ..... G06F 3/0412; G06F 3/016; G06F 3/0488;  
G06F 3/011; G06F 3/038; G06F 3/03543;  
G06F 3/0338; G06F 3/0202; G06F  
3/0219; G06F 3/0213; G06F 1/1616;  
G06F 3/023; G06F 3/04883; G02F  
1/13338; G02F 1/1313; G02F 1/1333;  
G02F 1/135; G02F 1/132; G02F  
1/133308; G02F 1/134309; G02F  
1/13718; G09G 3/3648; G06K 15/1252;  
B41J 2/465; G03F 7/70291; G02B  
27/0172; G02B 5/30; G02B 2027/0118;  
G02B 27/0101; F16M 13/02; F16M  
13/00; F16M 11/10; F16M 11/04; F16M  
2200/08; F16M 11/2021; A47B 21/0314;  
A47B 88/044; A47B 2021/0335; H02G  
3/126; F16B 47/00; F16B 47/006; A47G  
1/17; A47K 2201/00

See application file for complete search history.

(56) **References Cited**

U.S. PATENT DOCUMENTS

5,156,375 A \* 10/1992 Liegel ..... B66F 3/38  
254/DIG. 16  
D642,183 S \* 7/2011 Chinuki ..... F16M 11/28  
D14/451  
D731,735 S \* 6/2015 Martinez Martinez ..... D34/31  
D845,232 S \* 4/2019 Harden ..... D13/108  
D852,175 S \* 6/2019 Morita ..... D14/239  
D857,100 S \* 8/2019 Kwon ..... D20/42  
D857,210 S \* 8/2019 Christensen ..... D24/184  
D866,537 S \* 11/2019 Knapp ..... D14/239  
D868,517 S \* 12/2019 Légaré ..... D6/708.23  
D893,121 S \* 8/2020 Fox ..... D34/35  
D907,881 S \* 1/2021 Fox ..... D34/31

(Continued)

*Primary Examiner* — Katie Jane Stofko

(74) *Attorney, Agent, or Firm* — Heslin Rothenberg  
Farley & Mesiti, P.C.

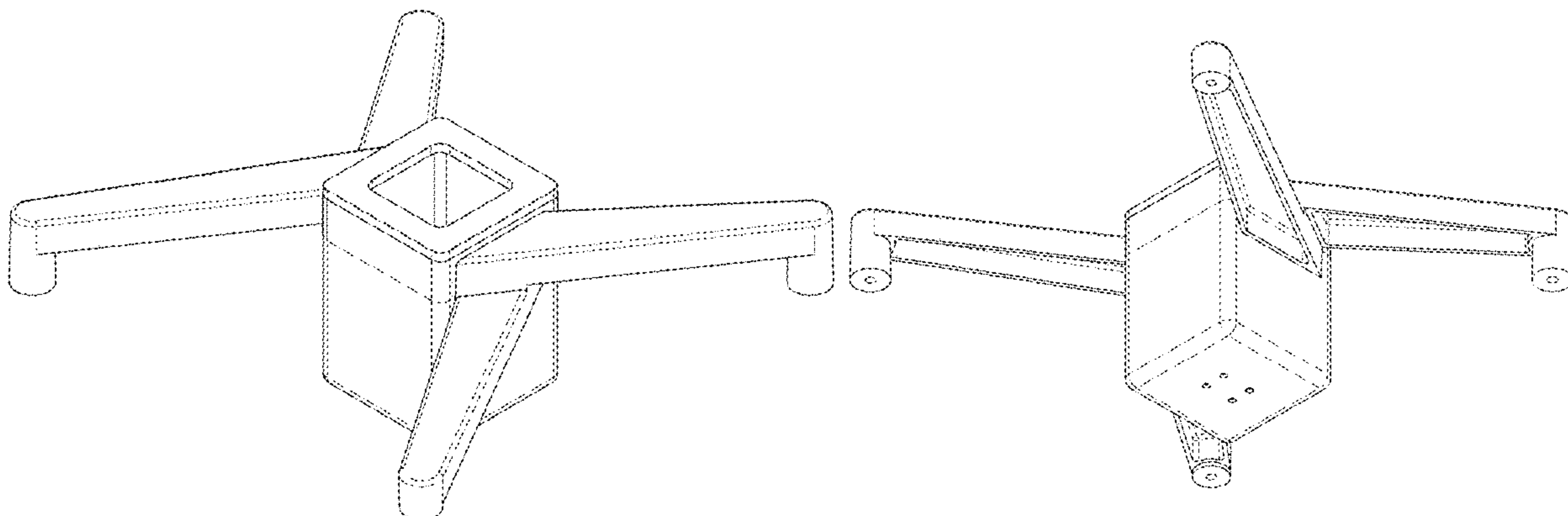
(57) **CLAIM**

I claim the ornamental design for a castored base, as shown  
and described.

**DESCRIPTION**

FIG. 1 is a perspective view of a castored base in accordance  
with my new design;  
FIG. 2 is bottom perspective view thereof;  
FIG. 3 is a top view thereof;  
FIG. 4 is a front side view thereof;  
FIG. 5 is a back side view thereof;  
FIG. 6 is a right side view thereof;  
FIG. 7 is a left side view thereof; and,  
FIG. 8 is another top perspective view thereof, shown in an  
environment of use.  
The broken lines shown in FIG. 8 illustrate environment that  
forms no part of the claimed design.

**1 Claim, 8 Drawing Sheets**



(56)

**References Cited**

U.S. PATENT DOCUMENTS

D914,658 S \* 3/2021 Pei ..... D14/239  
D948,081 S \* 4/2022 Goldberg ..... D25/133

\* cited by examiner

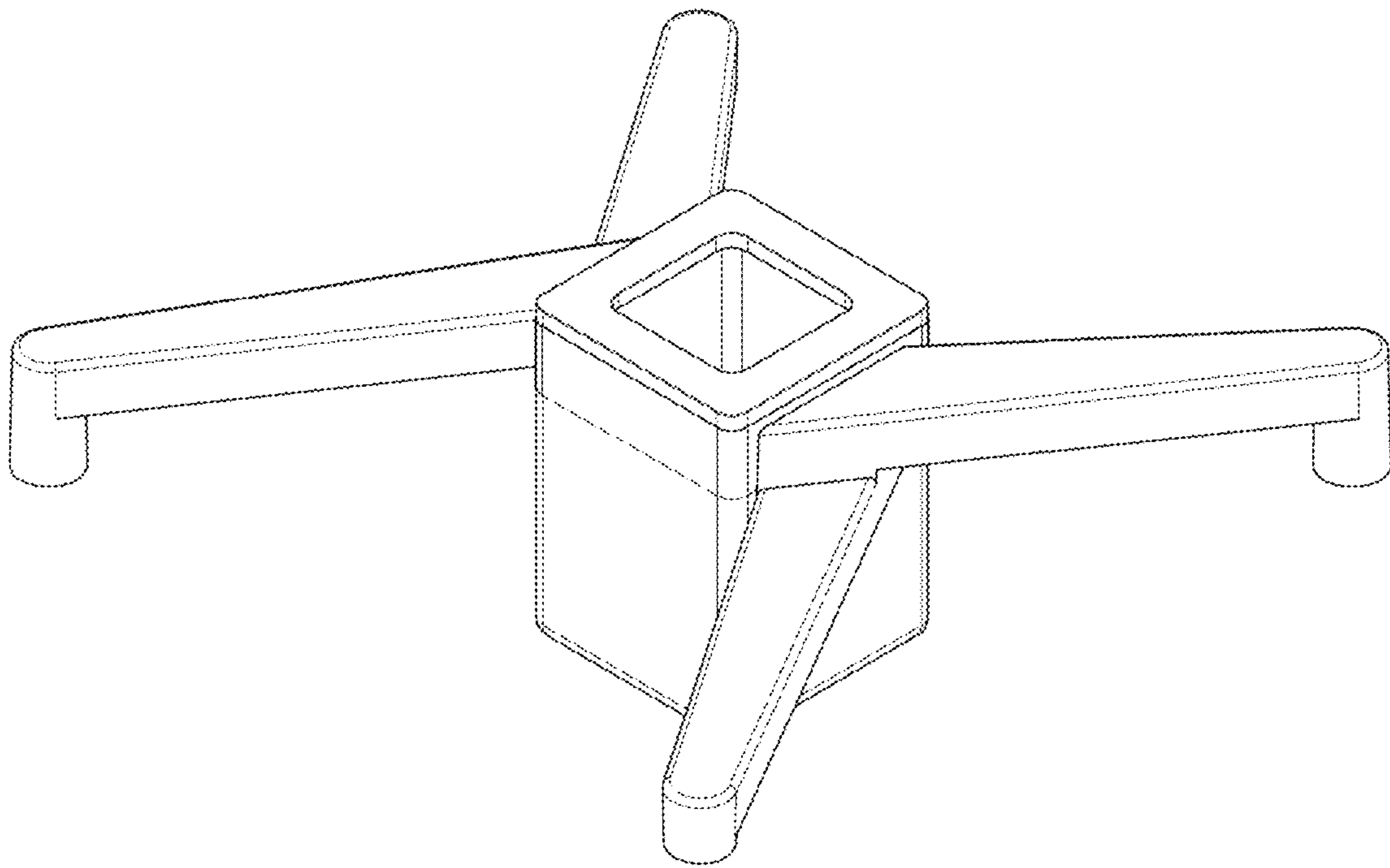


FIG 1

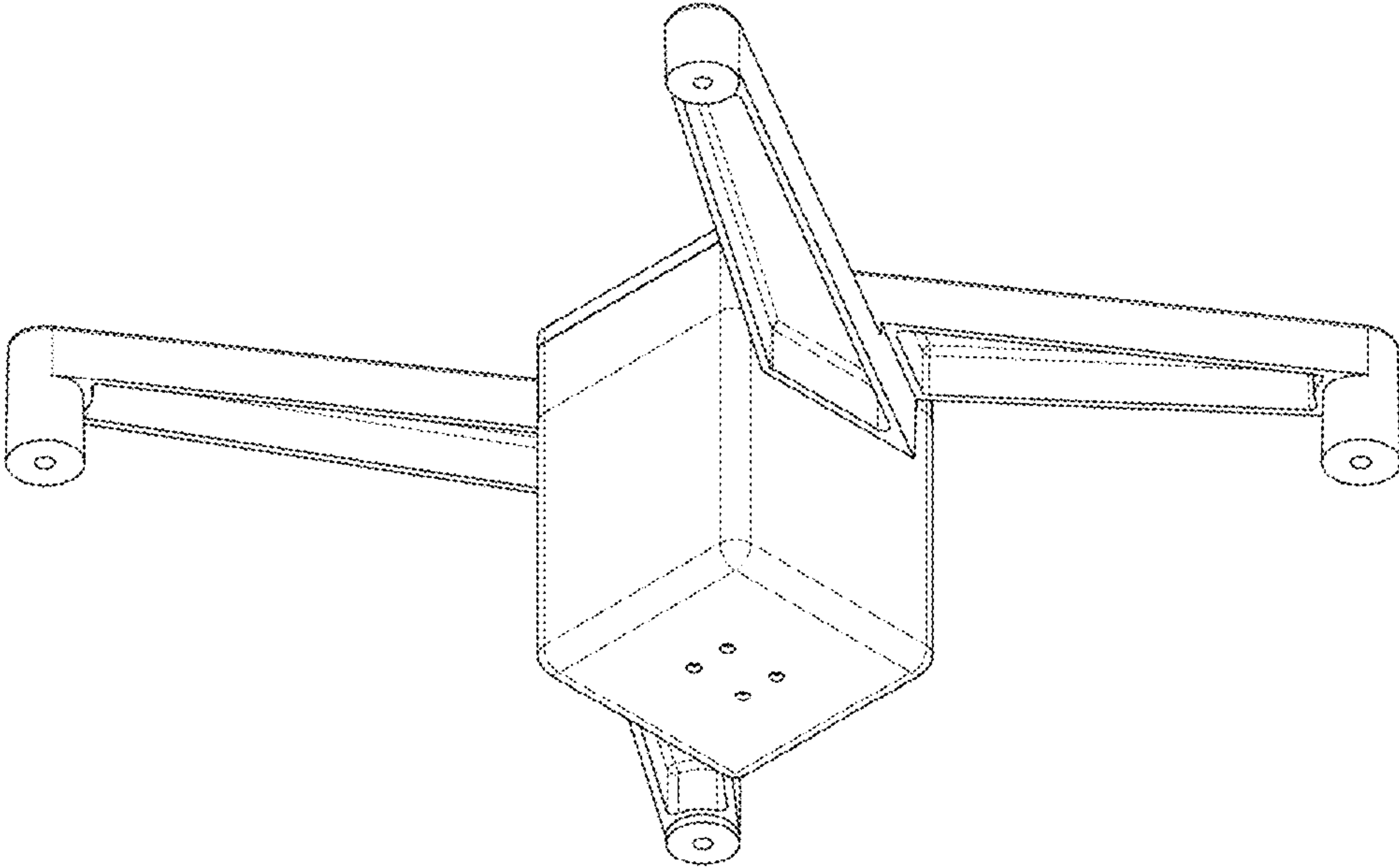


FIG 2

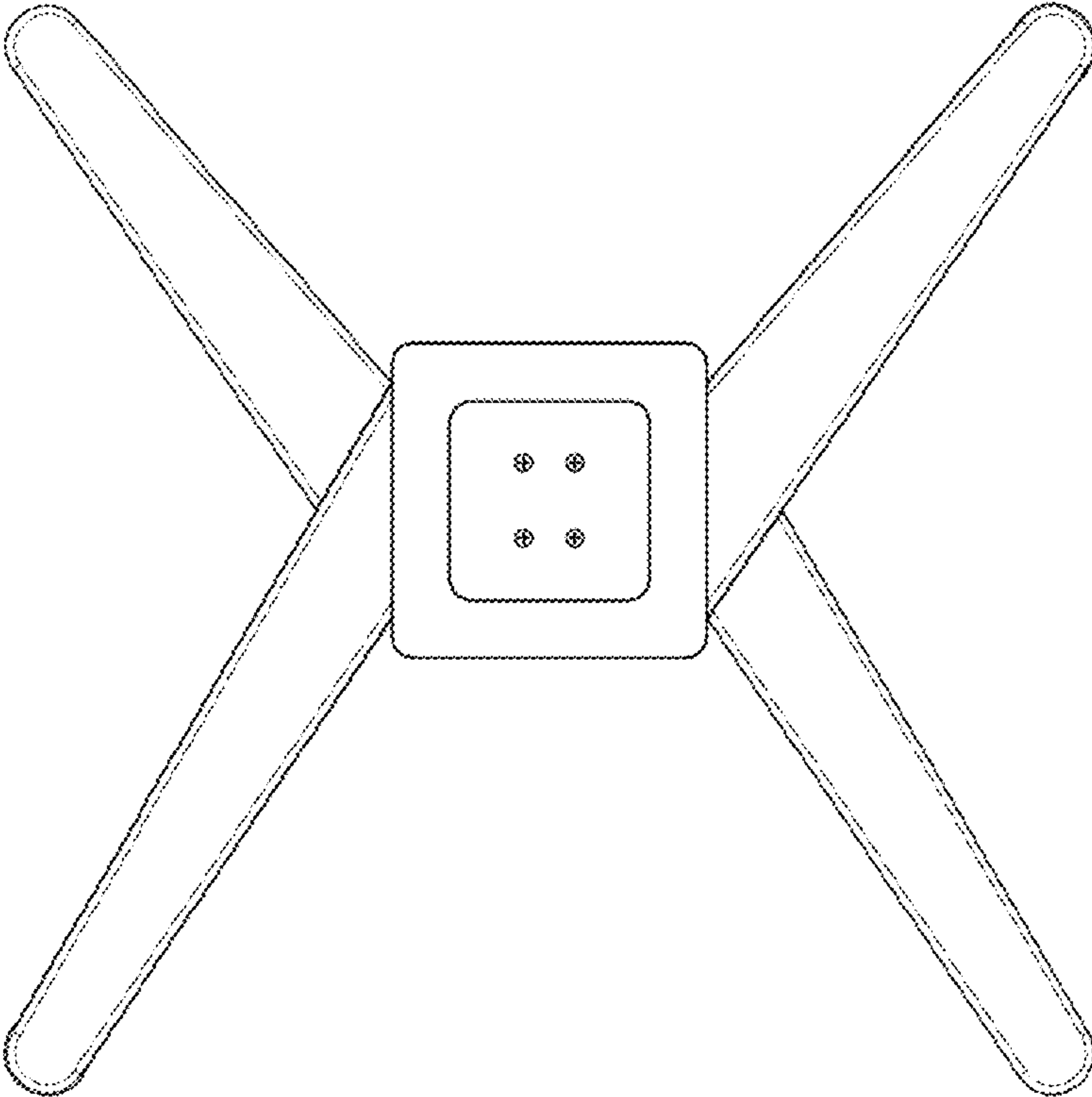


FIG 3

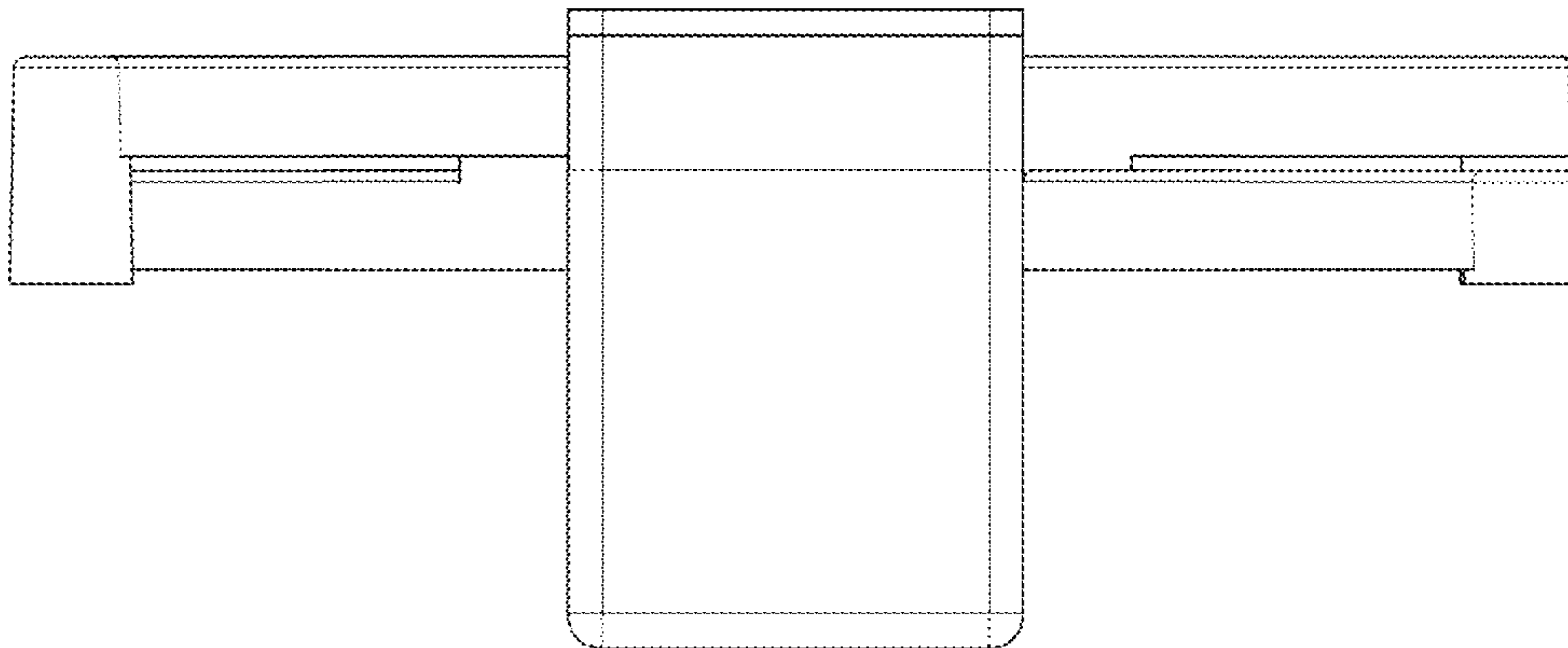


FIG 4

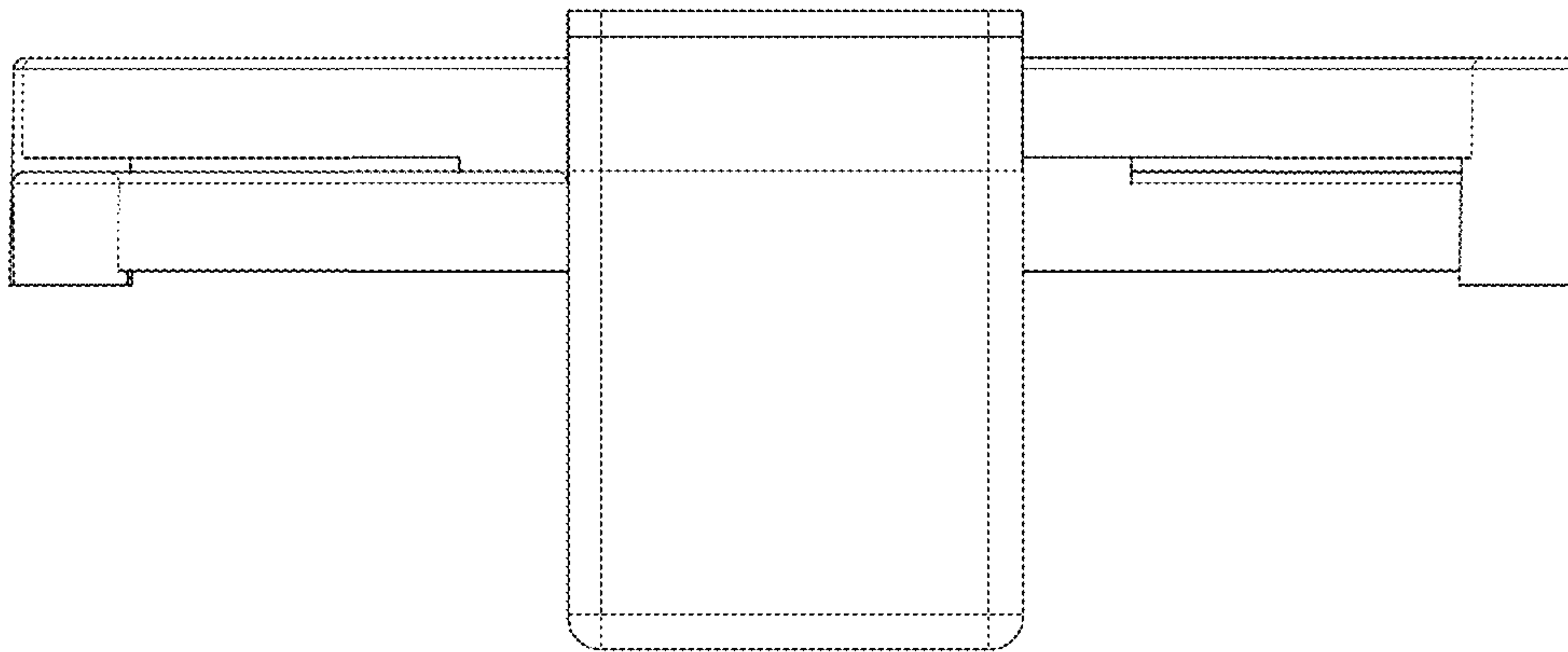


FIG 5

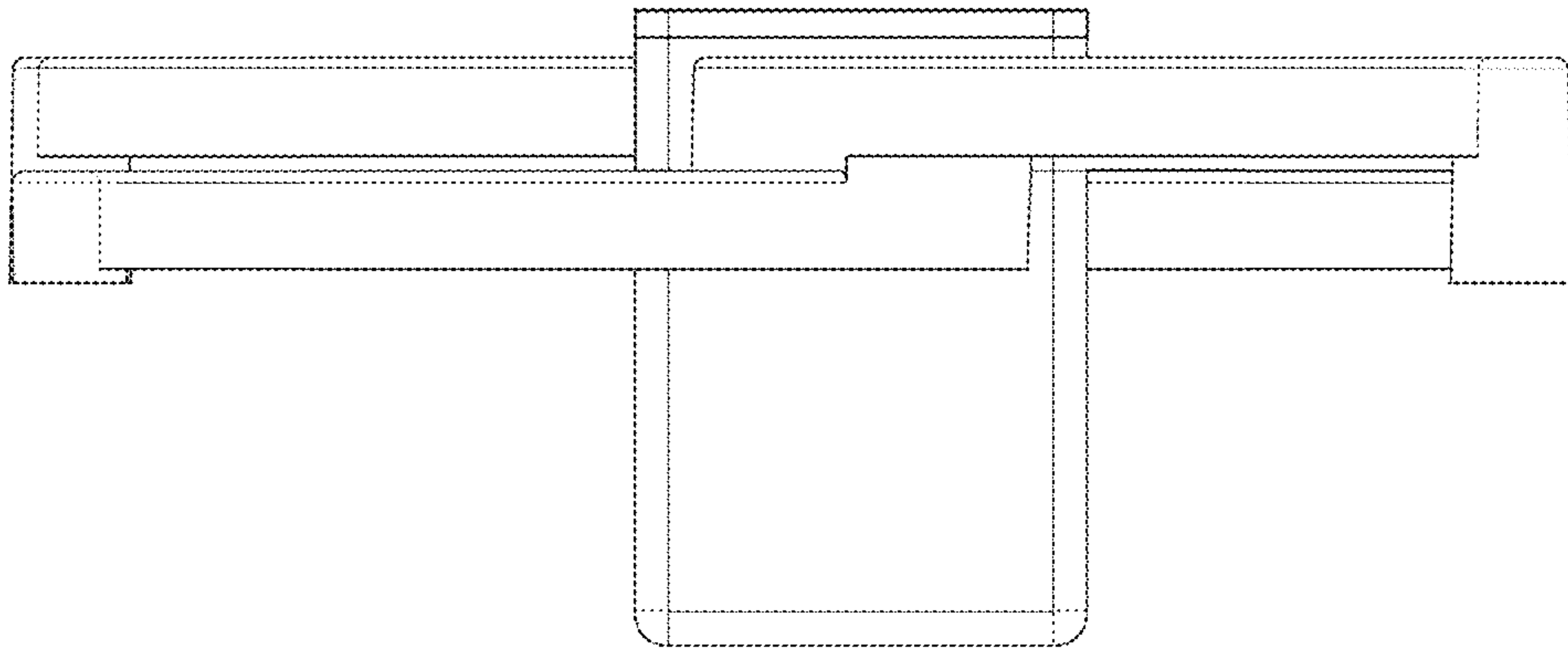


FIG 6



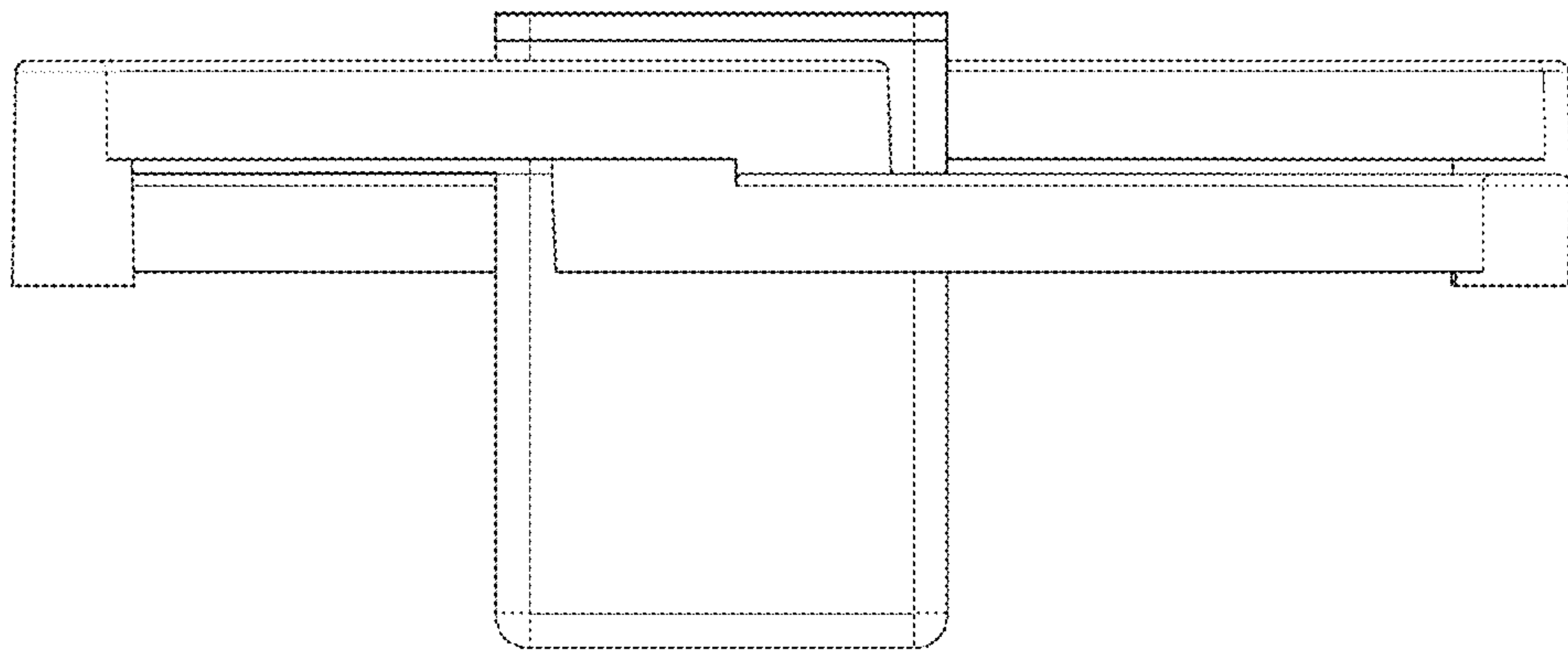


FIG 7

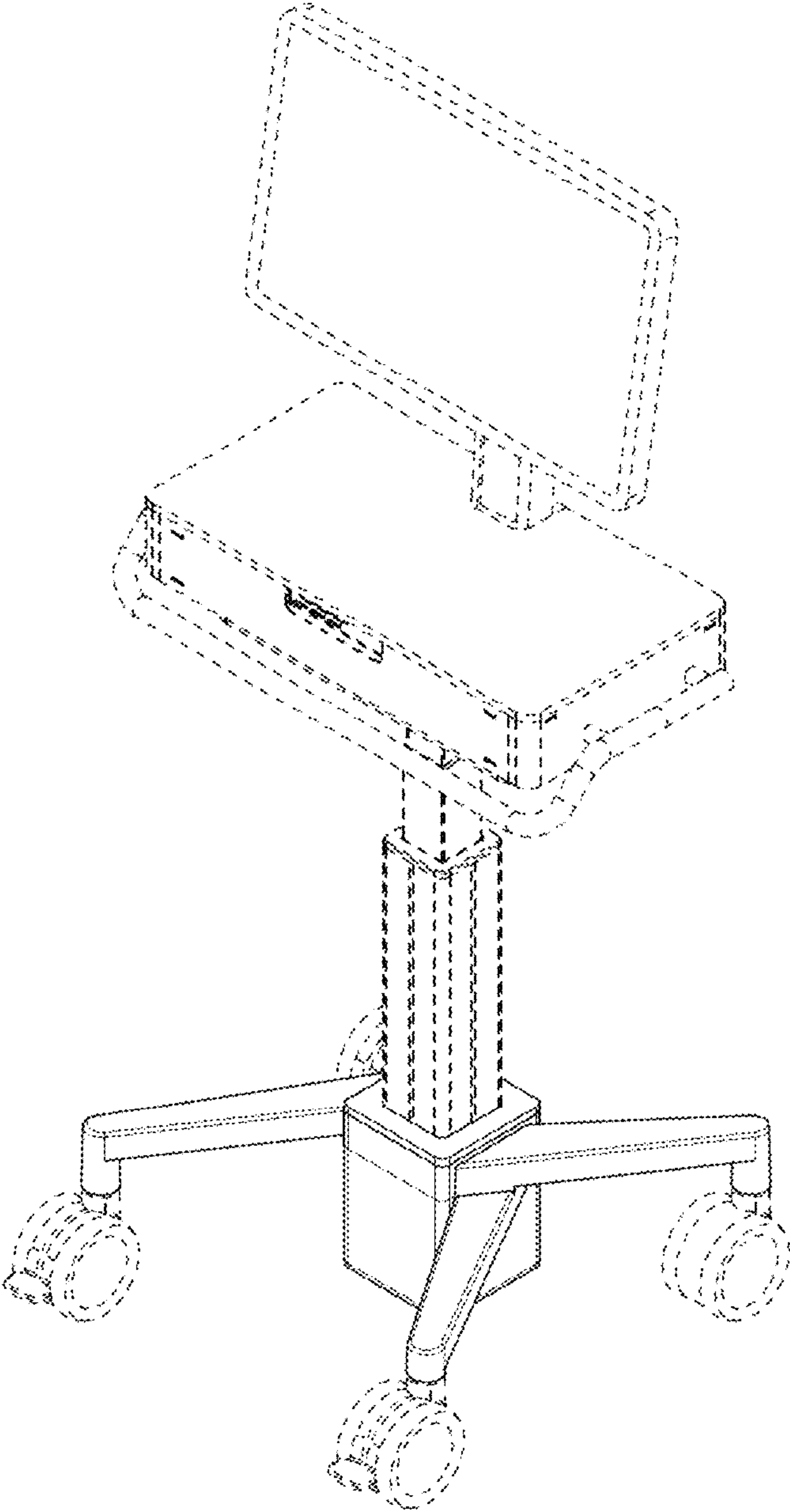


FIG 8