



US00D960132S

(12) **United States Design Patent** (10) **Patent No.:** **US D960,132 S**  
**Liu** (45) **Date of Patent:** **\*\* Aug. 9, 2022**

(54) **ELONGATED ANTENNA**

FOREIGN PATENT DOCUMENTS

(71) Applicant: **David Liu**, San Dimas, CA (US)

CN 305965530 \* 3/2020

(72) Inventor: **David Liu**, San Dimas, CA (US)

CN 306256049 \* 12/2020

CN 306794899 \* 8/2021

(\*\*) Term: **15 Years**

CN 307142107 \* 3/2022

JP D1632991 \* 6/2019

(21) Appl. No.: **29/704,270**

OTHER PUBLICATIONS

(22) Filed: **Sep. 3, 2019**

Winegard, HD7698P Platinum Series . . . , available at amazon.com, date first available Jun. 8, 2022, site visited Apr. 18, 2022, available at URL: <https://www.amazon.com/Winegard-HD7698P-Platinum-Ultra-HD-High-VHF/dp/B001DFTGRY> (Year: 2008).\*

(51) **LOC (13) Cl.** ..... **14-03**

Five Star Store, HDTV Antenna . . . , available at amazon.com, date first available Dec. 16, 2019, site visited Apr. 18, 2022, available at URL: <https://amzn.to/37tfsBp> (Year: 2019).\*

(52) **U.S. Cl.**

USPC ..... **D14/230**

(58) **Field of Classification Search**

USPC ..... D14/230, 231-239; D8/302, 341, 331, D8/441; D23/324, 330, 393, 415, 323; D25/41.1, 66, 119, 117, 123, 125, 128, D25/126, 127

CPC ..... H01Q 19/24; H01Q 11/125; H01Q 7/10; H01Q 1/10; H01Q 21/00; H01Q 9/265; H01Q 5/392; H01Q 9/30; H01Q 1/46; A61B 6/12

See application file for complete search history.

(Continued)

*Primary Examiner* — Daniel J Domino

*Assistant Examiner* — Samina Vieth

(74) *Attorney, Agent, or Firm* — David L. Hoffman; Nolan Heimann LLP

(56) **References Cited**

U.S. PATENT DOCUMENTS

2,471,256	A	*	5/1949	Wintermute	.....	H01Q 19/10
						D14/234
D202,624	S	*	10/1965	Greenberg et al.	.....	D14/230
D213,968	S	*	4/1969	Callaghan	.....	D14/234
D222,359	S	*	10/1971	Peterson	.....	D14/234
D232,737	S	*	9/1974	Padilla et al.	.....	D14/234
D330,936	S	*	11/1992	Dieterle	.....	D23/419
D480,387	S	*	10/2003	Burns	.....	H01Q 19/12
						D14/230
D546,323	S	*	7/2007	Van Buren	.....	D14/230
D842,281	S	*	3/2019	Taeger	.....	D14/230
D863,268	S	*	10/2019	Archer	.....	D14/230

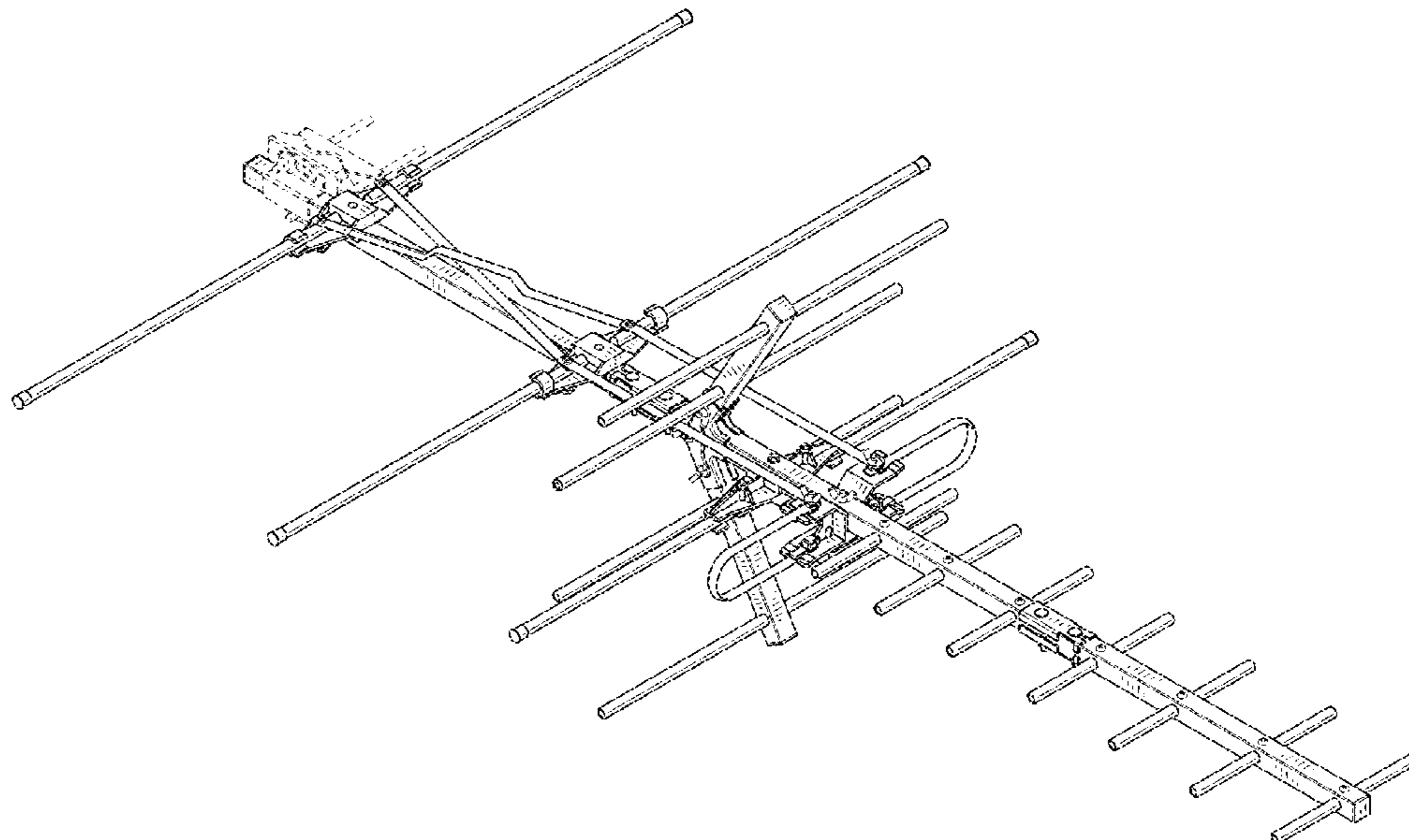
(57) **CLAIM**

I claim the ornamental design for an elongated antenna, as shown and described herein.

**DESCRIPTION**

FIG. 1 is a perspective view of my elongated antenna; FIG. 2 is a front elevational view thereof; FIG. 3 is a rear elevational view thereof; FIG. 4 is a left side elevational view thereof; FIG. 5 is a right side elevational view thereof; FIG. 6 is a top view thereof; and, FIG. 7 is a bottom view thereof. The broken lines in the drawings illustrate portions of the elongated antenna that form no part of the claimed design.

**1 Claim, 5 Drawing Sheets**



(56)

**References Cited**

OTHER PUBLICATIONS

Winegard, HD8200U Platinum . . . , available at amazon.com, date first available Sep. 14, 2004, site visited Apr. 18, 2022, available at URL: <https://amzn.to/3Ohgn8K> (Year: 2004).\*

Range Xperts, XPS-1500 Long Range HDTV Antenna Demo, date published Jan. 26, 2020, site visited Apr. 18, 2022, available at URL: <https://www.youtube.com/watch?v=epWwjJTp8o0> (Year: 2020).\*

Channel Master, Advantage 100, available at channelmaster.com, oldest review date Oct. 6, 2009, site visited Apr. 18, 2022, available at URL <https://bit.ly/3Md8b7z> (Year: 2009).\*

amazon.com; 2019 Latest Outdoor TV Antenna Amplified Digital HDTV Antenna with Mounting Pole, Dumsamker 150+ Miles Ran; accessed Aug. 20, 2019; 9 pages.

amazon.com; Outdoor TV Antenna 120-150 Miles Range Amplified Digital HDTV Antenna with Mount Pole & 33 Feet Coaxial Cable, Sup;Sunlitek; accessed Aug. 20, 2019; 8 pages.

amazon.com; TV Antenna—RCA Outdoor Yagi Satellite HD Antenna w/ 150 Mile Range (70+ Miles from Broadcast Epicenter) Attic or Roof Mount TV Antenna; accessed Aug. 20, 2019; 11 pages.

amazon.com; ViewTV 2018 Version Outdoor Amplified Digital HDTV Antenna—150 Mile Range—Motorized 360° Rotation—40FT Coax Cable; accessed Sep. 10, 2019; 10 pages.

\* cited by examiner

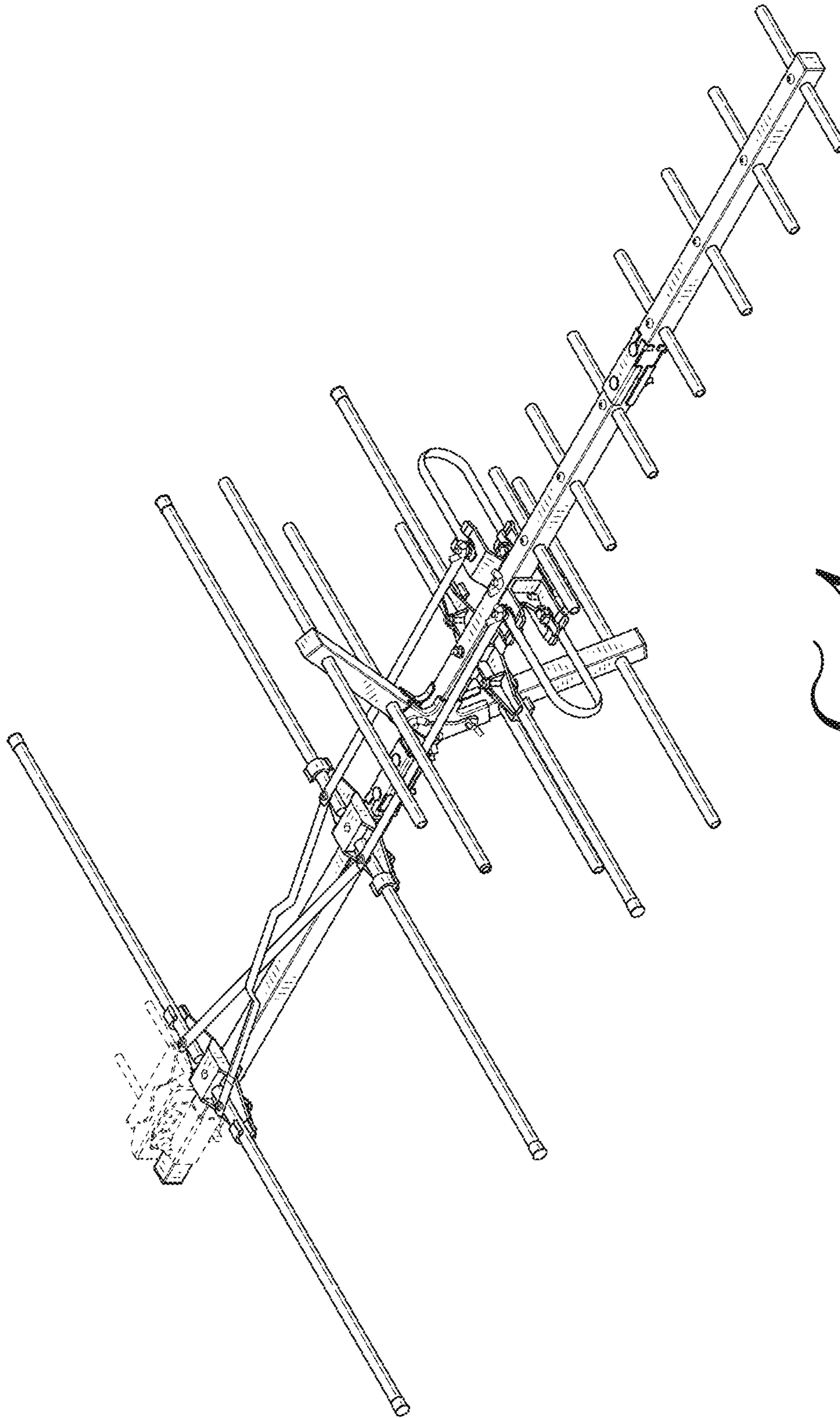
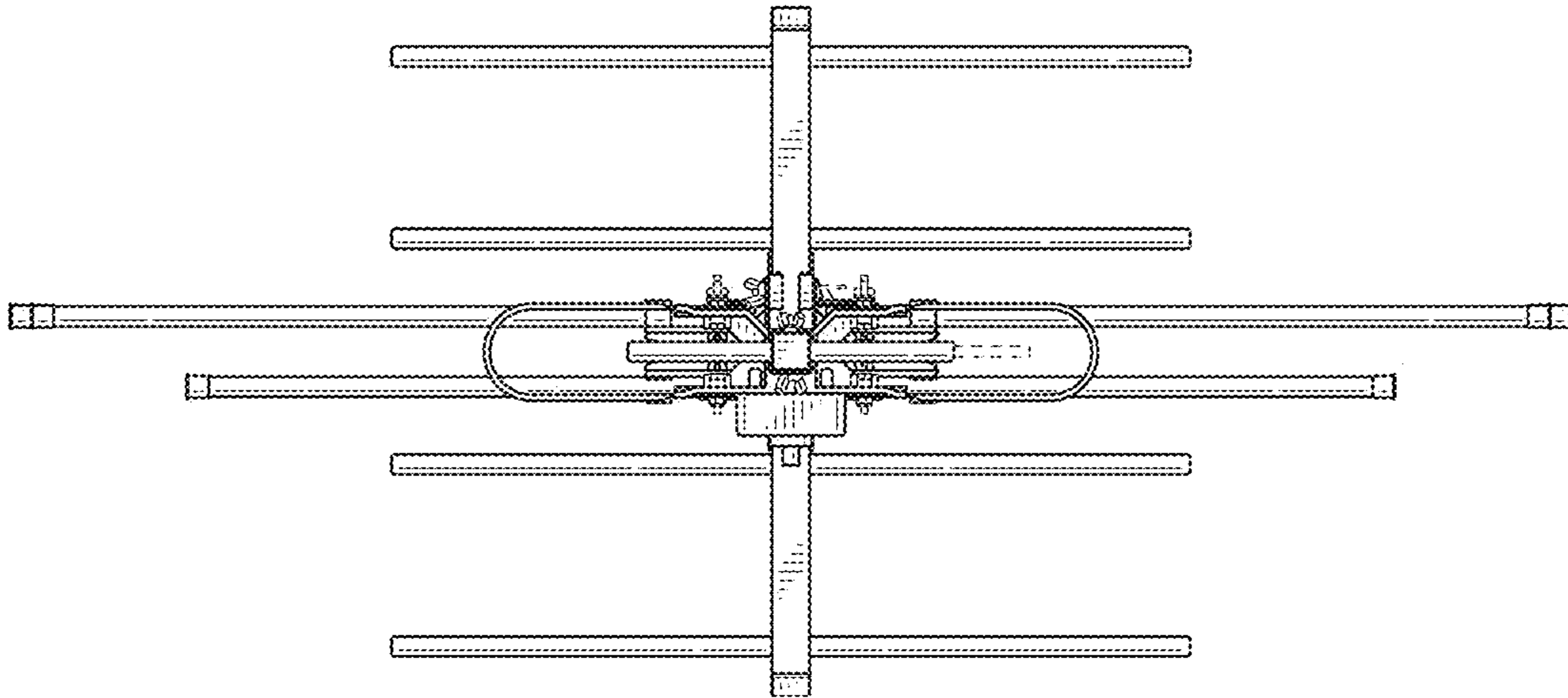
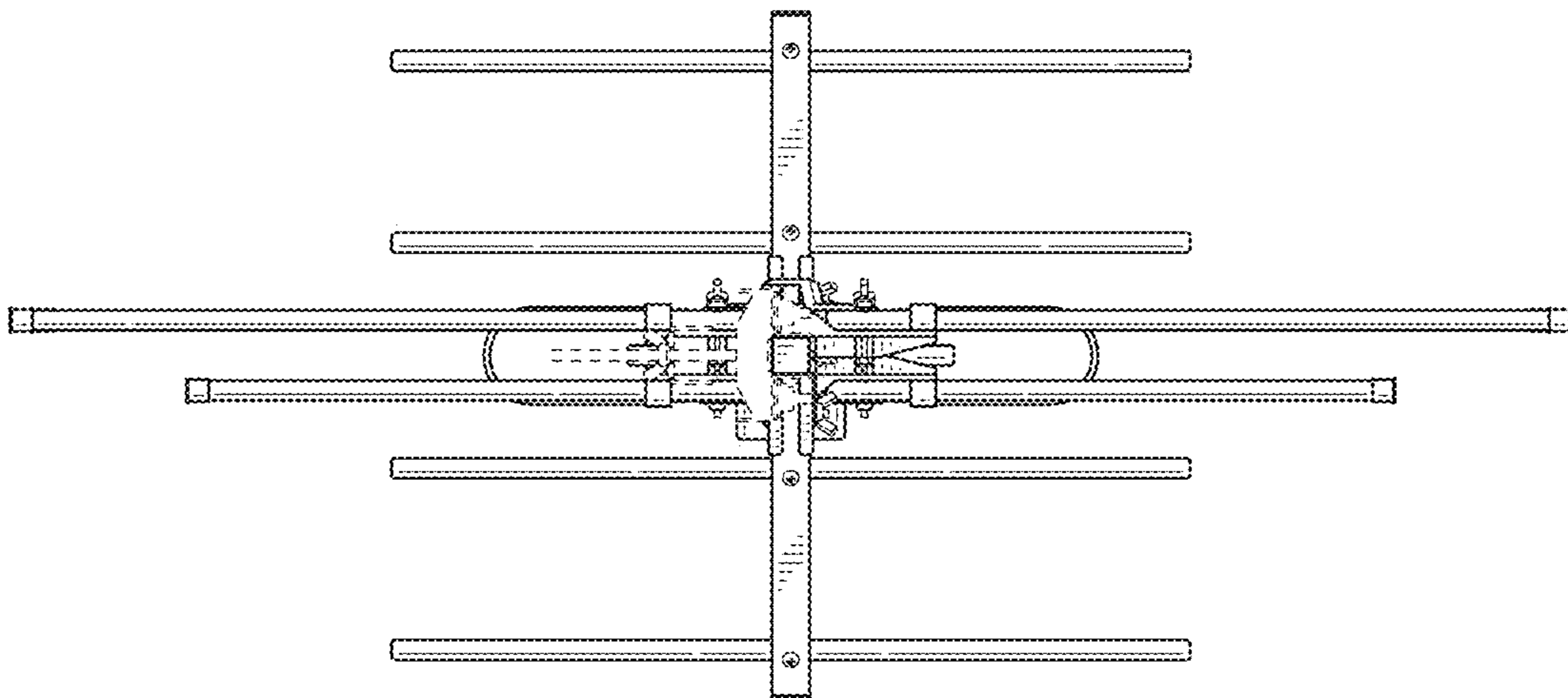


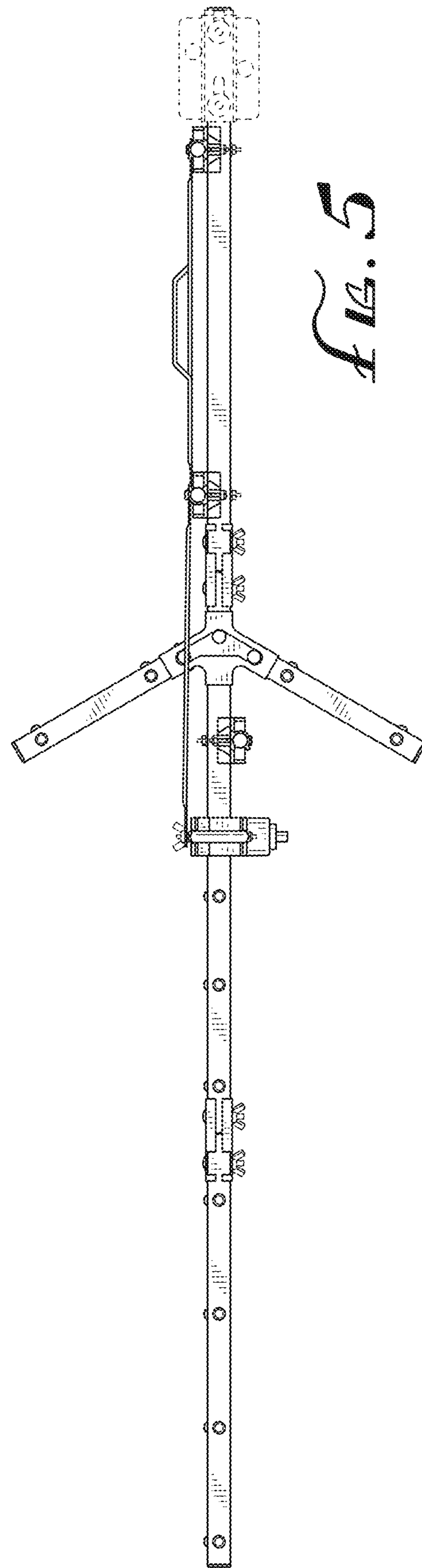
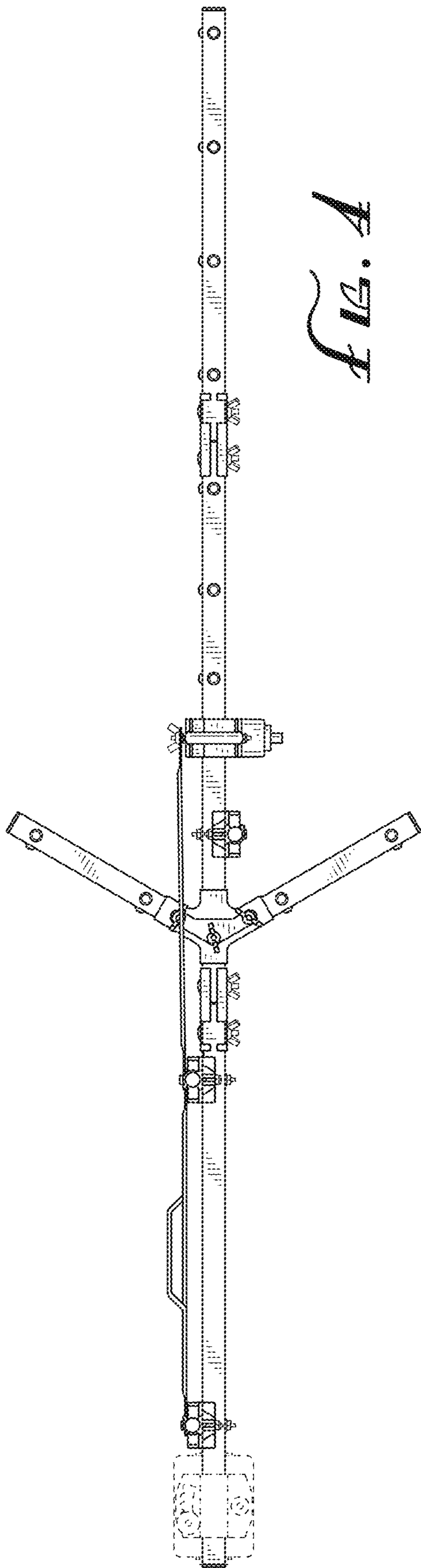
FIG. 1



*FIG. 2*



*FIG. 3*



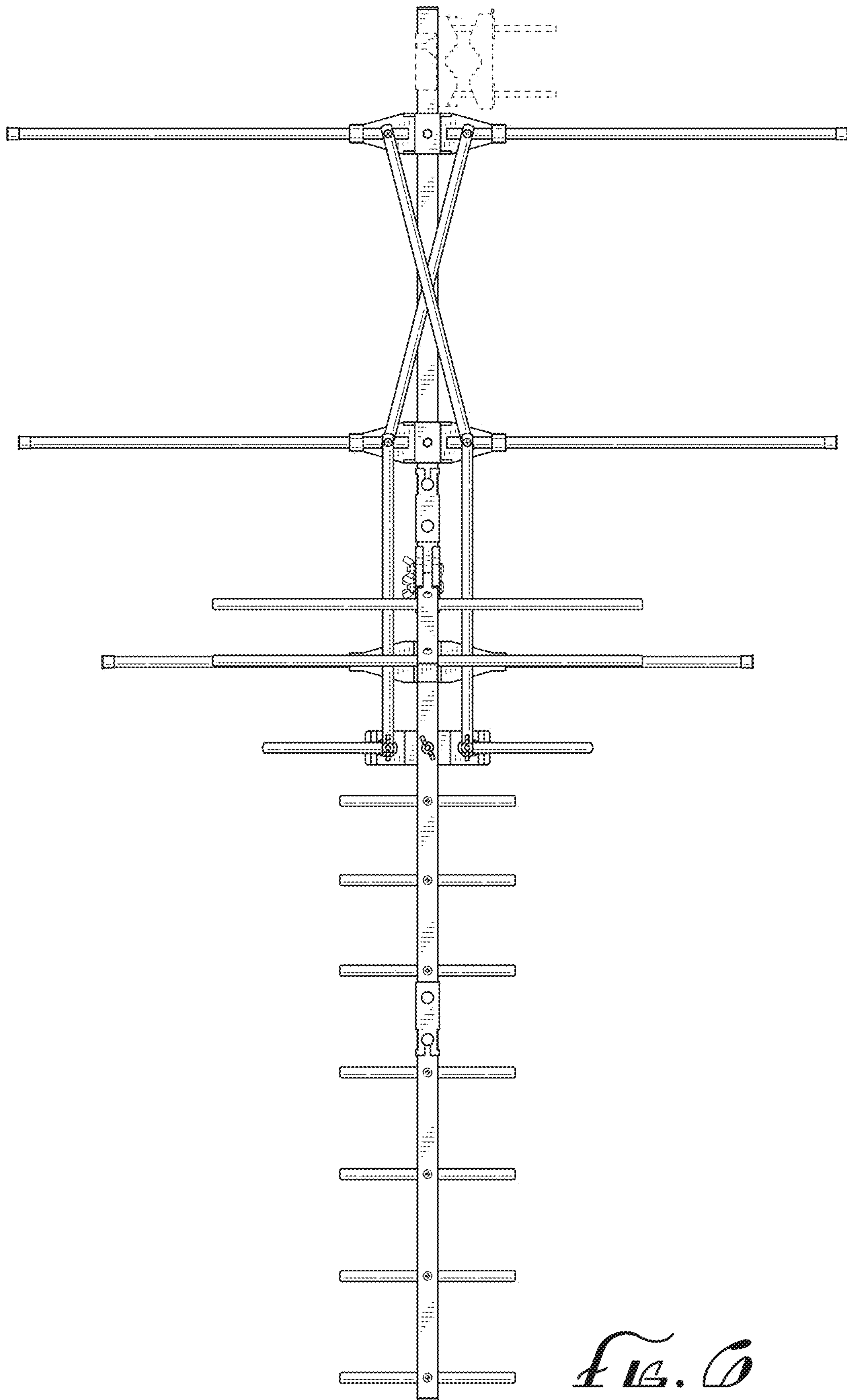


FIG. 6

