



US00D960127S

(12) **United States Design Patent**
Ahovi et al.

(10) **Patent No.:** **US D960,127 S**
(45) **Date of Patent:** **** Aug. 9, 2022**

(54) **HEADSET**

FOREIGN PATENT DOCUMENTS

(71) Applicant: **Microsoft Corporation**, Redmond, WA (US)

EM 008781702-0001 * 12/2021
GB 6116642 * 8/2020
GB 9008274146-0001 * 11/2020

(72) Inventors: **Elie E. Ahovi**, Seattle, WA (US); **Carl J. Ledbetter**, Mercer Island, WA (US); **Yao Lu**, Suzhou (CN)

OTHER PUBLICATIONS

(73) Assignee: **Microsoft Corporation**, Redmond, WA (US)

“Office Action Issued in PCT Application No. WIPO101928”, dated Oct. 29, 2021, 7 Pages.

(**) Term: **15 Years**

Primary Examiner — Paula Allen Greene

(21) Appl. No.: **29/748,343**

(74) *Attorney, Agent, or Firm* — Banner & Witcoff, Ltd.

(22) Filed: **Aug. 28, 2020**

(57) **CLAIM**

(51) **LOC (13) Cl.** **14-01**

The ornamental design for a headset, as shown and described.

(52) **U.S. Cl.**

DESCRIPTION

USPC **D14/206**

(58) **Field of Classification Search**

USPC D14/206, 226, 205; D29/112; 2/209;
381/380, 381, 374, 74; 455/90.3, 575.1,
455/569.1

CPC H04R 25/00; H04R 25/02; H04R 1/10;
H04R 1/1066; H04R 1/1016; H04R
5/033; H04R 5/0335; H04R 1/1008;
H04R 1/1091

See application file for complete search history.

FIG. 1 is a front perspective view of a headset showing our new design with a microphone in an unfolded position; FIG. 2 is a rear perspective view thereof; FIG. 3 is a front view thereof; FIG. 4 is a rear view thereof; FIG. 5 is a top view thereof; FIG. 6 is a bottom view thereof; FIG. 7 is a left side view thereof; FIG. 8 is a right side view thereof; FIG. 9 is a front perspective view of the headset of FIGS. 1-8, with the microphone in a folded position; FIG. 10 is a rear perspective view thereof; FIG. 11 is a front view thereof; FIG. 12 is a rear view thereof; FIG. 13 is a top view thereof; FIG. 14 is a bottom view thereof; FIG. 15 is a left side view thereof; and, FIG. 16 is a right side view thereof.

The broken lines depicting the remainder of the headset in FIGS. 1-16 show features that form no part of the claimed design.

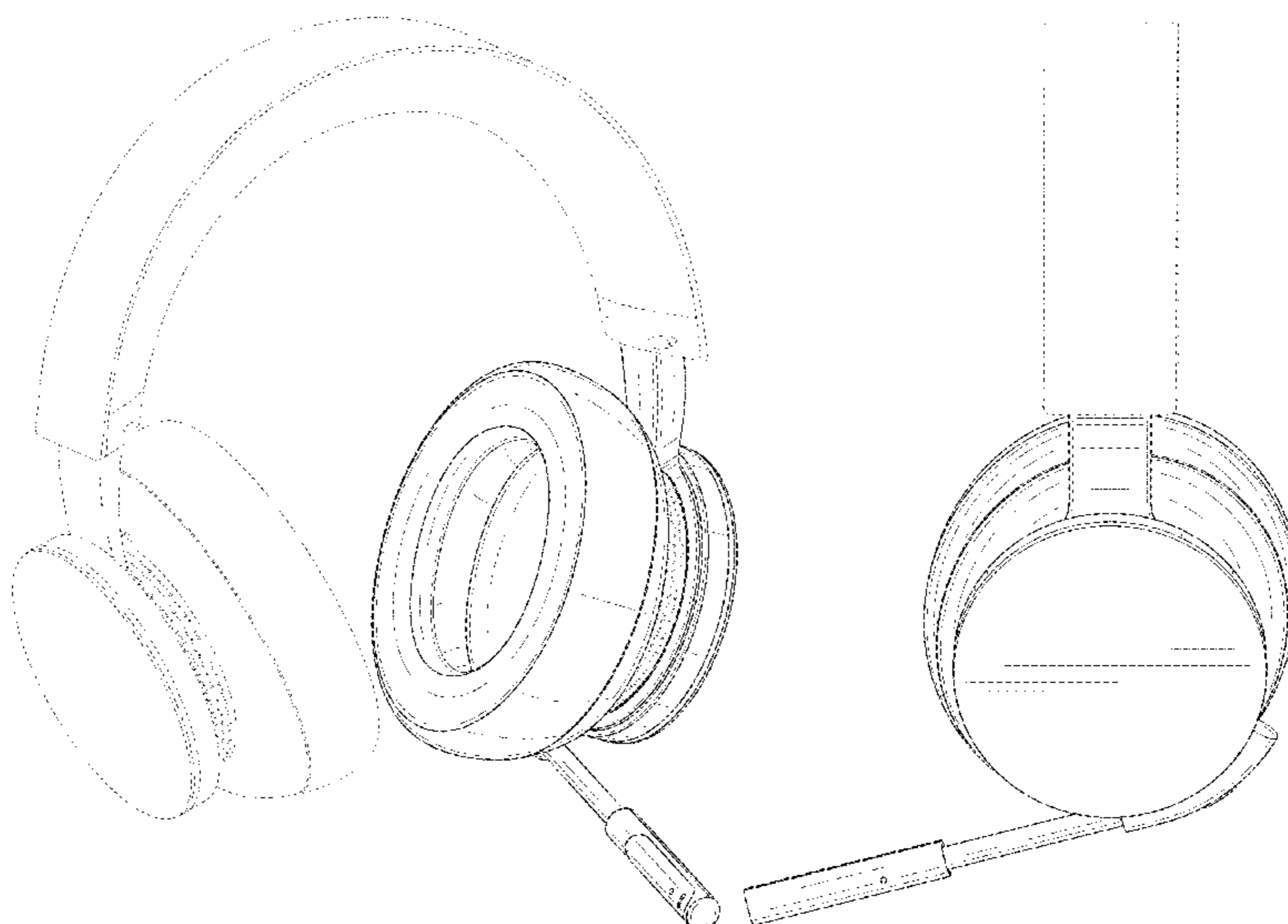
(56) **References Cited**

U.S. PATENT DOCUMENTS

- 1,555,997 A * 10/1925 Lidberg H04R 1/1066
381/374
- 2,586,644 A * 2/1952 Gilbert H04R 5/0335
D14/206
- 3,548,118 A * 12/1970 Hutchings H04M 1/05
379/430
- 3,781,492 A * 12/1973 Cragg H04R 1/08
379/430
- D233,444 S * 10/1974 Christian D14/206

(Continued)

1 Claim, 16 Drawing Sheets



(56)

References Cited

U.S. PATENT DOCUMENTS

4,420,657 A * 12/1983 Larkin H04M 1/05
381/189
4,926,961 A * 5/1990 Gattley H04R 1/08
181/22
D337,116 S * 7/1993 Hattori D14/206
5,369,857 A * 12/1994 Sacherman H04R 5/0335
379/430
D465,208 S * 11/2002 Lee D14/206
6,625,293 B1 * 9/2003 Nageno H04R 1/08
181/20
D481,375 S * 10/2003 Suzuki D14/206
D488,146 S * 4/2004 Minto D14/206
D512,981 S * 12/2005 Jacobson D14/223
6,980,666 B1 * 12/2005 Owen H04R 5/033
381/381
D514,086 S * 1/2006 Skulley D14/206
D517,528 S * 3/2006 Skulley D14/206
D518,479 S * 4/2006 Skulley D14/225
7,106,873 B1 * 9/2006 Harrison H04R 25/48
381/381
D531,165 S * 10/2006 Rath D14/206
D563,382 S * 3/2008 Wikel D14/205
D578,508 S * 10/2008 Wang D14/206
D589,492 S * 3/2009 Mistry D14/205
D654,471 S * 2/2012 Fischer D14/206
D654,472 S 2/2012 Fischer
D657,218 S * 4/2012 Wilder D8/51
D660,823 S * 5/2012 Hardi D14/205
D660,824 S * 5/2012 Hardi D14/205
D663,716 S * 7/2012 Hardi D14/205
D673,136 S * 12/2012 Kelly D14/205
D673,524 S * 1/2013 Brennwald D14/206
D675,595 S * 2/2013 Cho D14/205
D678,860 S * 3/2013 Hagelin D14/205
D683,329 S * 5/2013 Hagelin D14/205
D684,145 S * 6/2013 Rath D14/206
D684,559 S * 6/2013 Groset D14/205
D691,111 S * 10/2013 Lee D14/206
D691,113 S * 10/2013 Gougherty D14/206
D691,579 S * 10/2013 Lee D14/205
D706,244 S * 6/2014 Goransson D14/225
D707,655 S 6/2014 Porter
D713,375 S * 9/2014 Dedinas D14/206
D713,376 S * 9/2014 Dedinas D14/206

D716,762 S * 11/2014 Greve D14/206
D717,767 S * 11/2014 Mistry D14/206
D721,055 S 1/2015 Sparks et al.
D722,041 S 2/2015 Sparks et al.
D724,562 S 3/2015 Sparks et al.
D735,161 S 7/2015 Sparks et al.
D735,691 S 8/2015 Sparks et al.
D737,799 S * 9/2015 Carr D14/205
D740,256 S * 10/2015 Carr D14/206
D741,842 S * 10/2015 Levine D14/226
D750,041 S * 2/2016 Birger D14/205
D782,999 S * 4/2017 Spio D14/206
9,706,281 B2 * 7/2017 Hernandez Vazquez
H04R 1/1075
D800,691 S * 10/2017 Ando D14/205
D810,046 S * 2/2018 Dryden D14/205
D820,813 S * 6/2018 Sharp D14/206
D843,345 S * 3/2019 Brunner D14/205
D847,117 S * 4/2019 Summerson D14/206
D851,064 S * 6/2019 Wang D14/206
D856,303 S * 8/2019 Ando D14/205
D857,652 S * 8/2019 Wang D14/205
D860,161 S * 9/2019 Xia D14/205
D864,903 S * 10/2019 Liu D14/206
D870,069 S * 12/2019 Hu D14/206
D877,714 S 3/2020 Dhondt et al.
D878,327 S 3/2020 Dhondt et al.
D881,843 S * 4/2020 Hu D14/206
D906,282 S * 12/2020 Kelley D14/206
D915,348 S * 4/2021 He D14/206
D926,724 S * 8/2021 D'Ambrosio D14/206
D928,116 S * 8/2021 Su D14/206
D935,440 S * 11/2021 Liu D14/206
D940,685 S * 1/2022 He D14/206
D940,686 S * 1/2022 Yang D14/206
D945,981 S * 3/2022 Rois D14/205
2001/0036291 A1 * 11/2001 Pallai H04R 1/342
381/370
2005/0286717 A1 * 12/2005 Viduya H04M 1/18
379/430
2014/0126763 A1 * 5/2014 Yoo A61F 11/14
381/371
2019/0289379 A1 * 9/2019 Wu H04R 1/028
2019/0342664 A1 * 11/2019 Payne H04R 1/1008
2020/0213703 A1 * 7/2020 Yoneyama H04R 1/1058
2020/0396532 A1 * 12/2020 Bui H04R 1/1083
2021/0260414 A1 * 8/2021 Mundy H04R 1/1008

* cited by examiner



FIG. 1

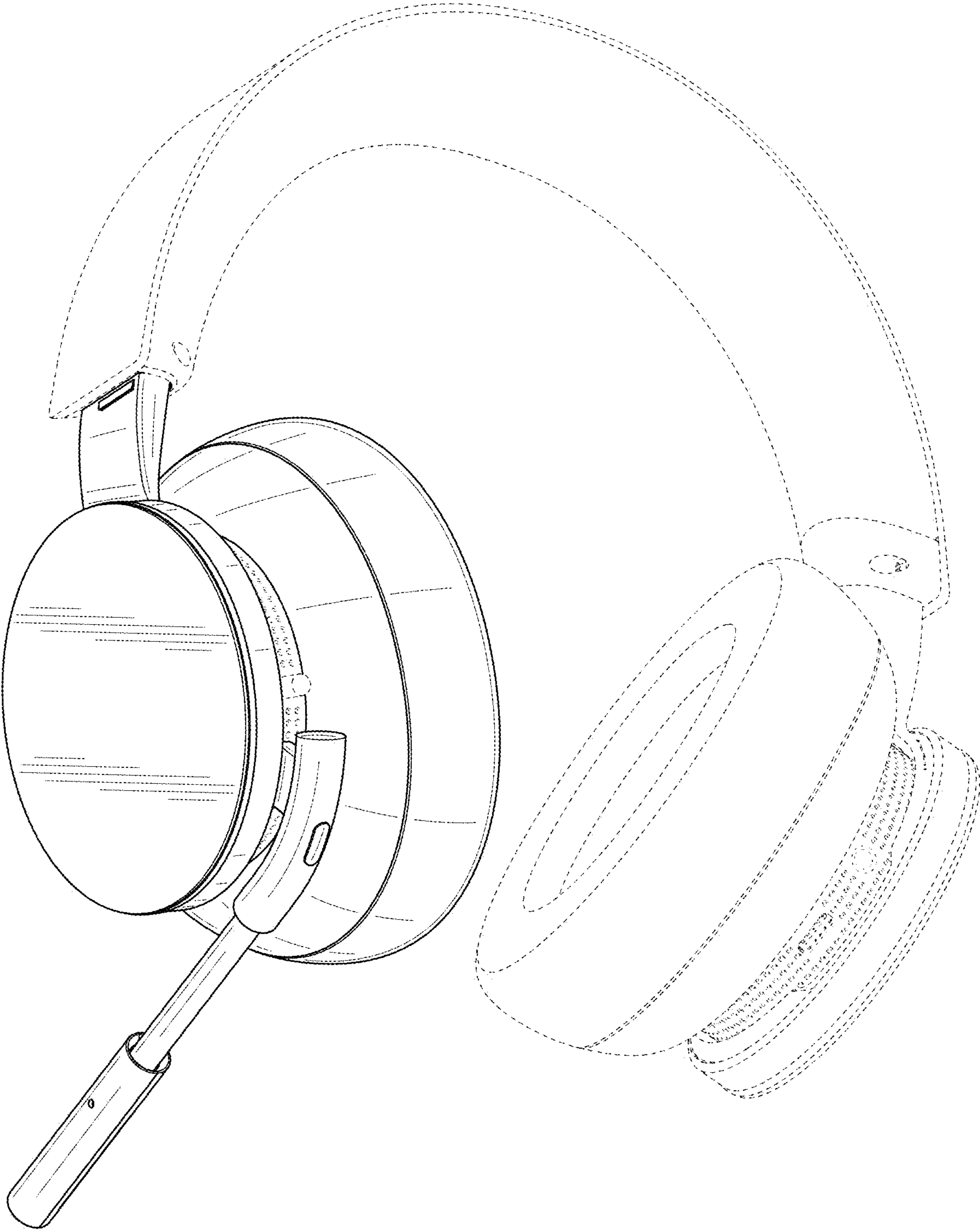


FIG. 2

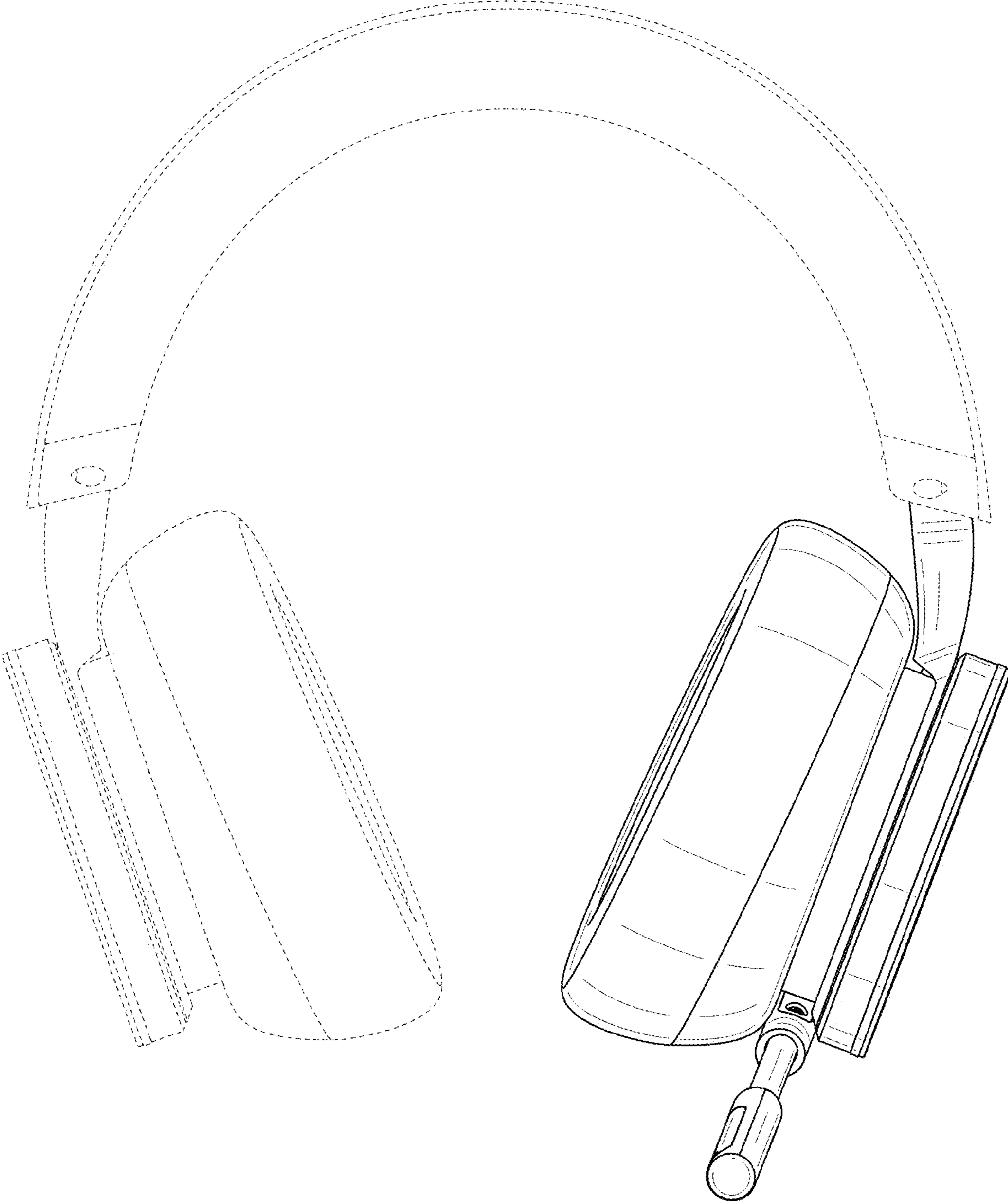


FIG. 3

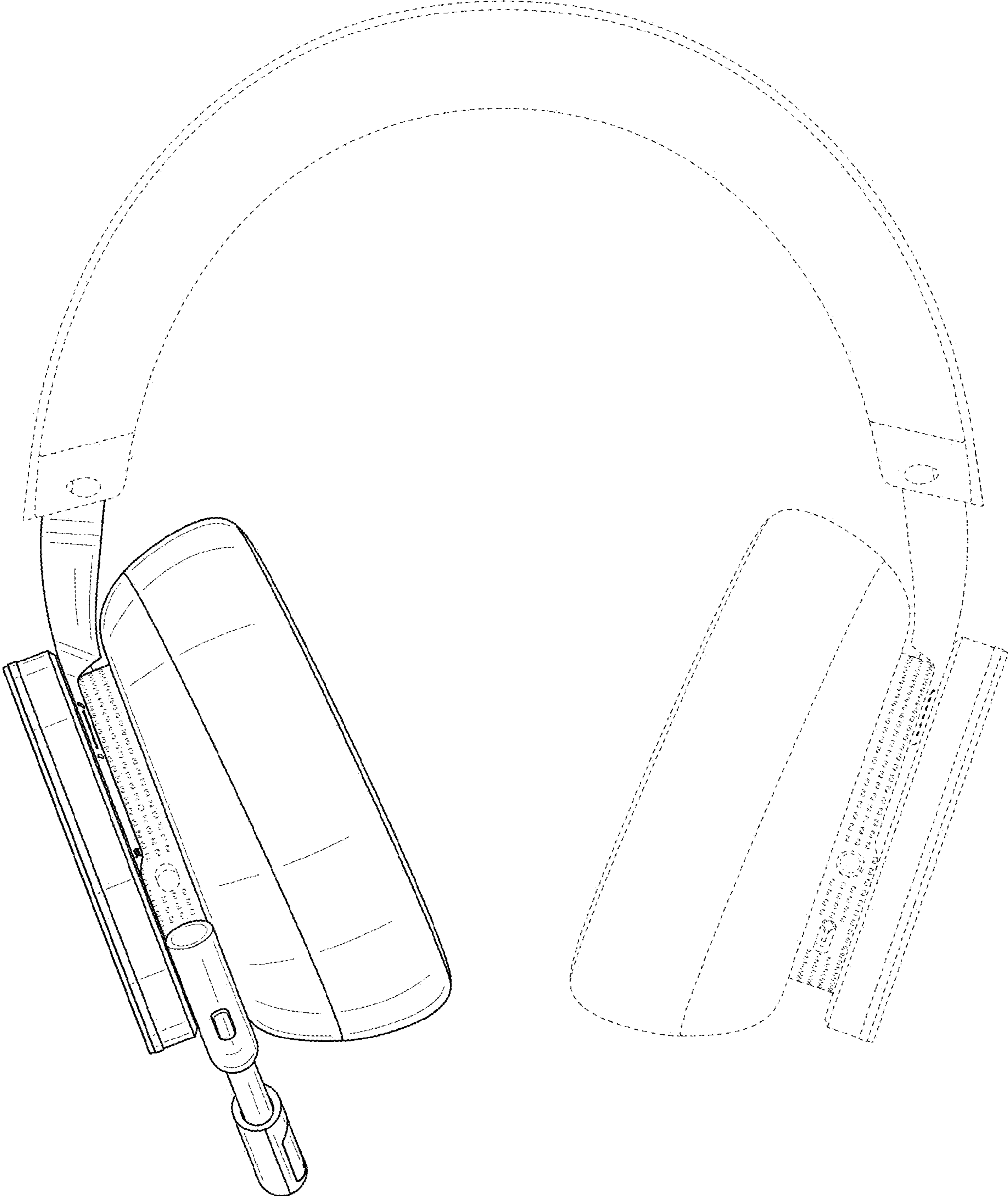


FIG. 4

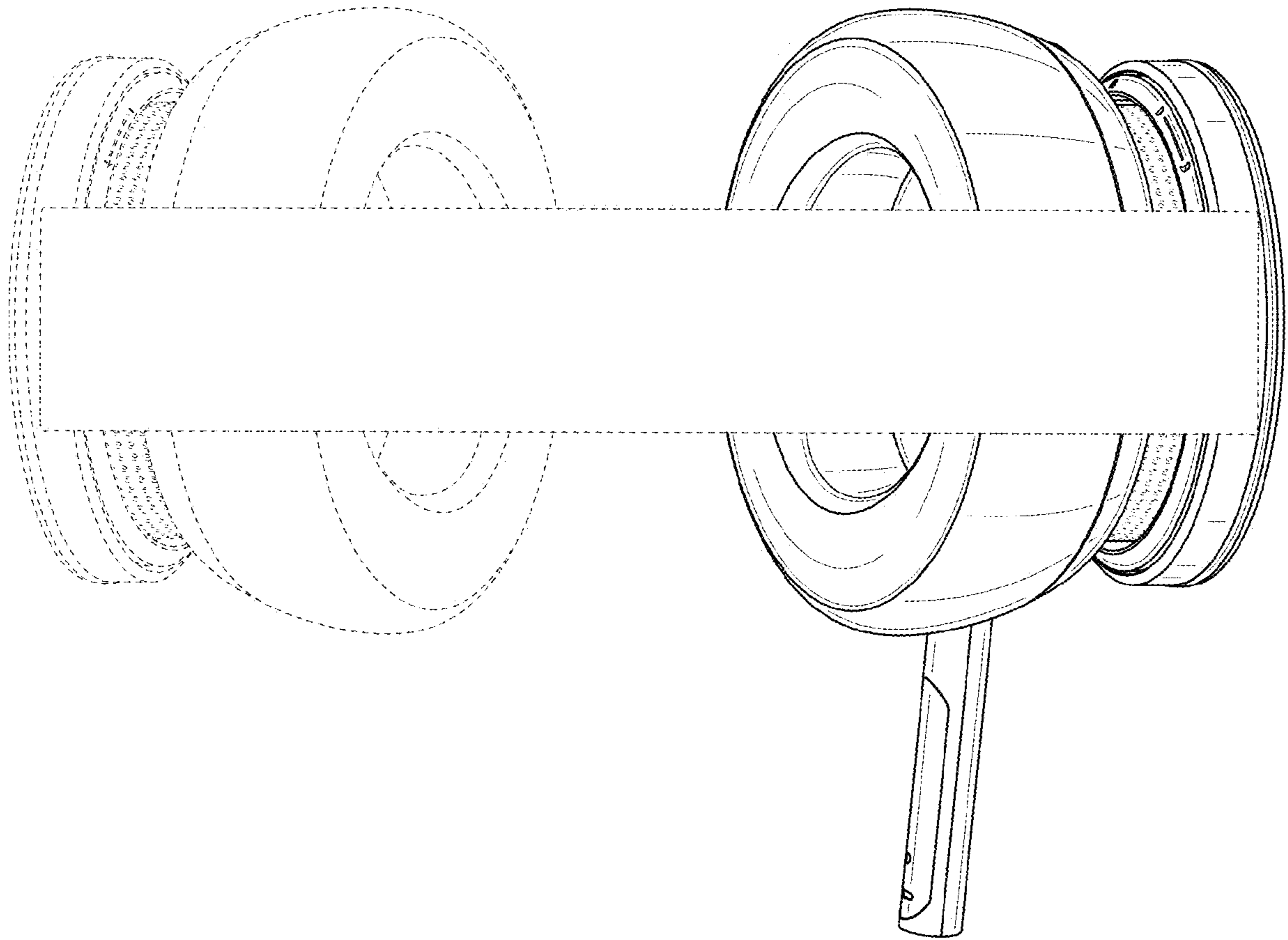


FIG. 5

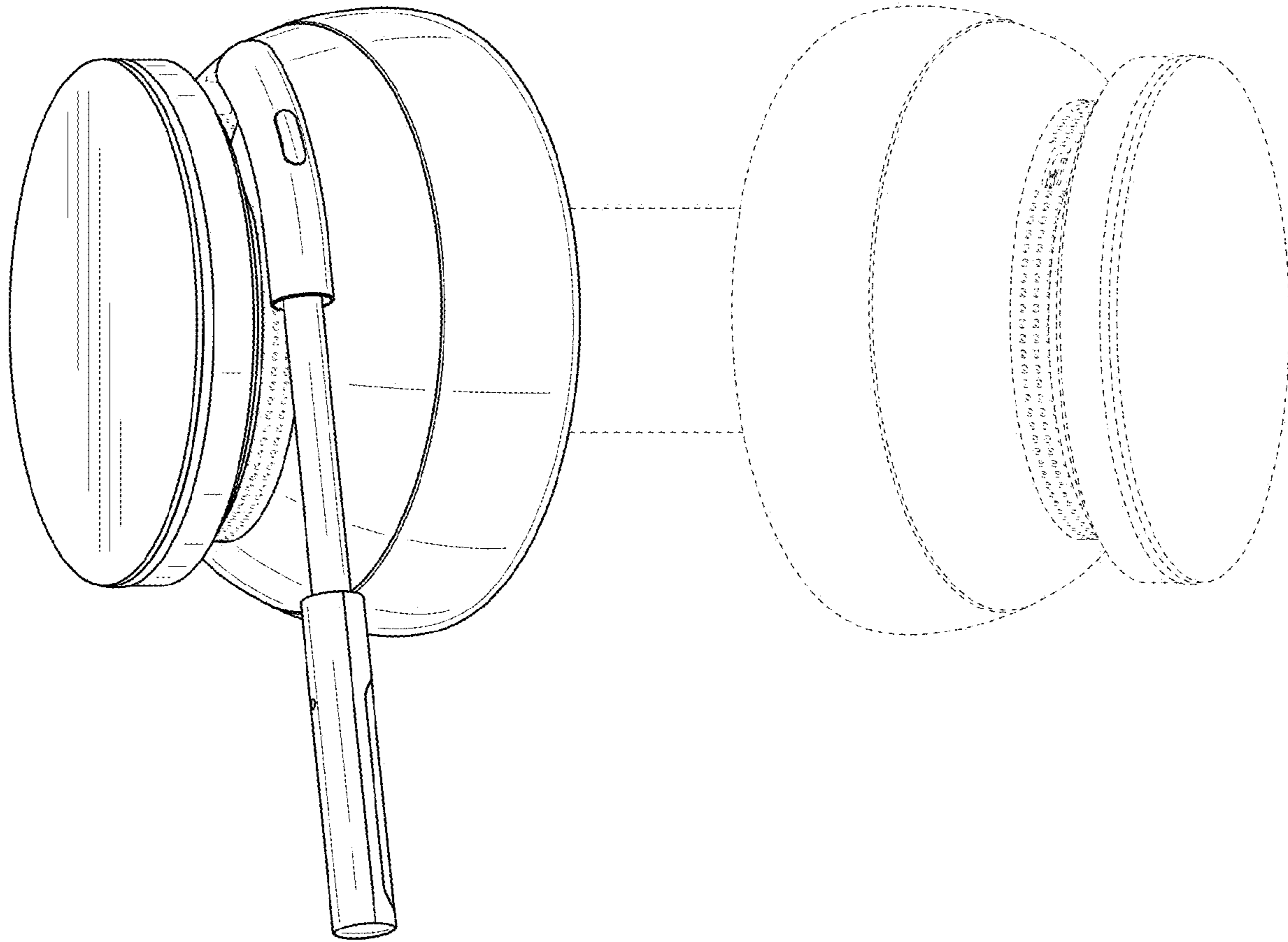


FIG. 6

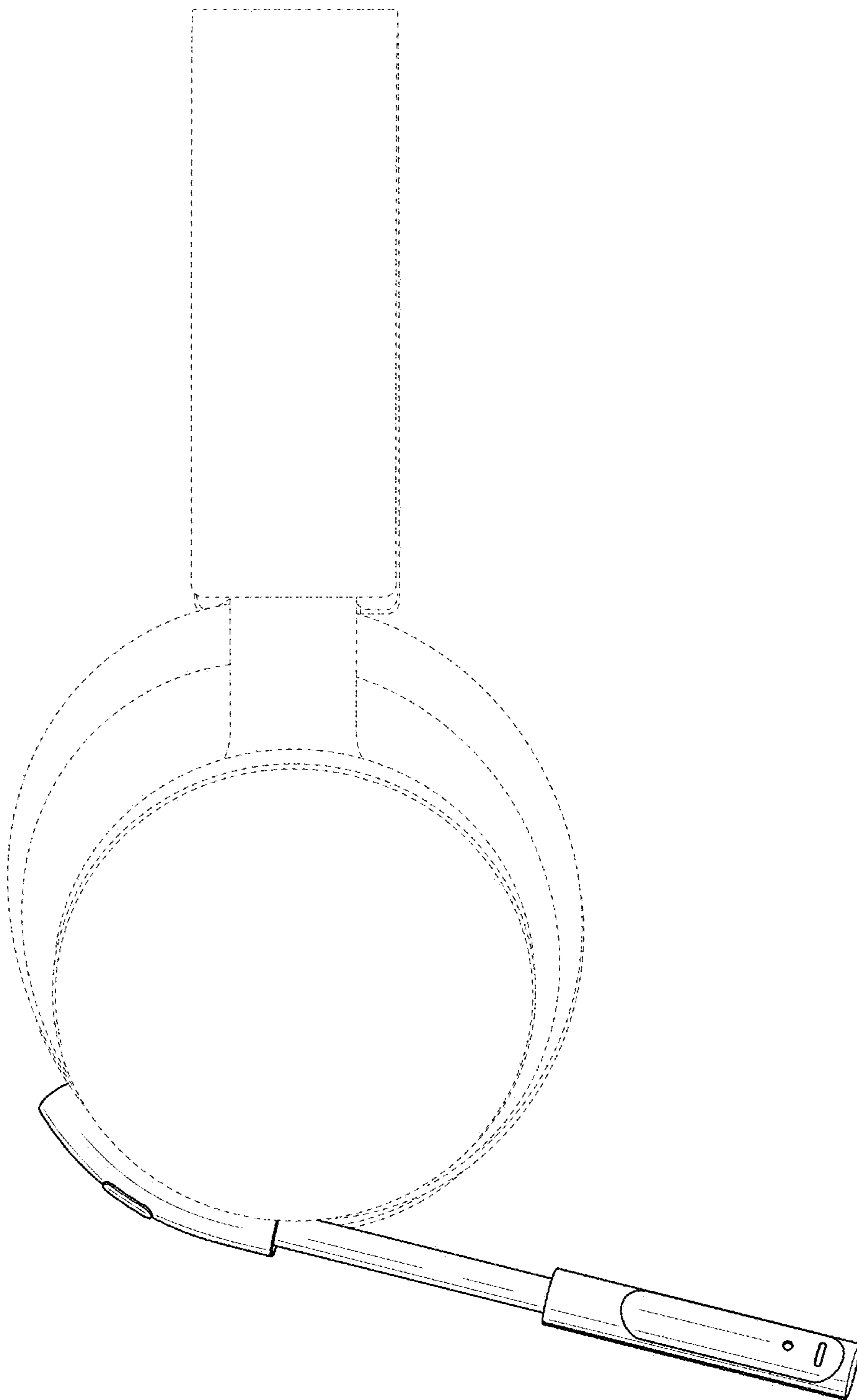


FIG. 7

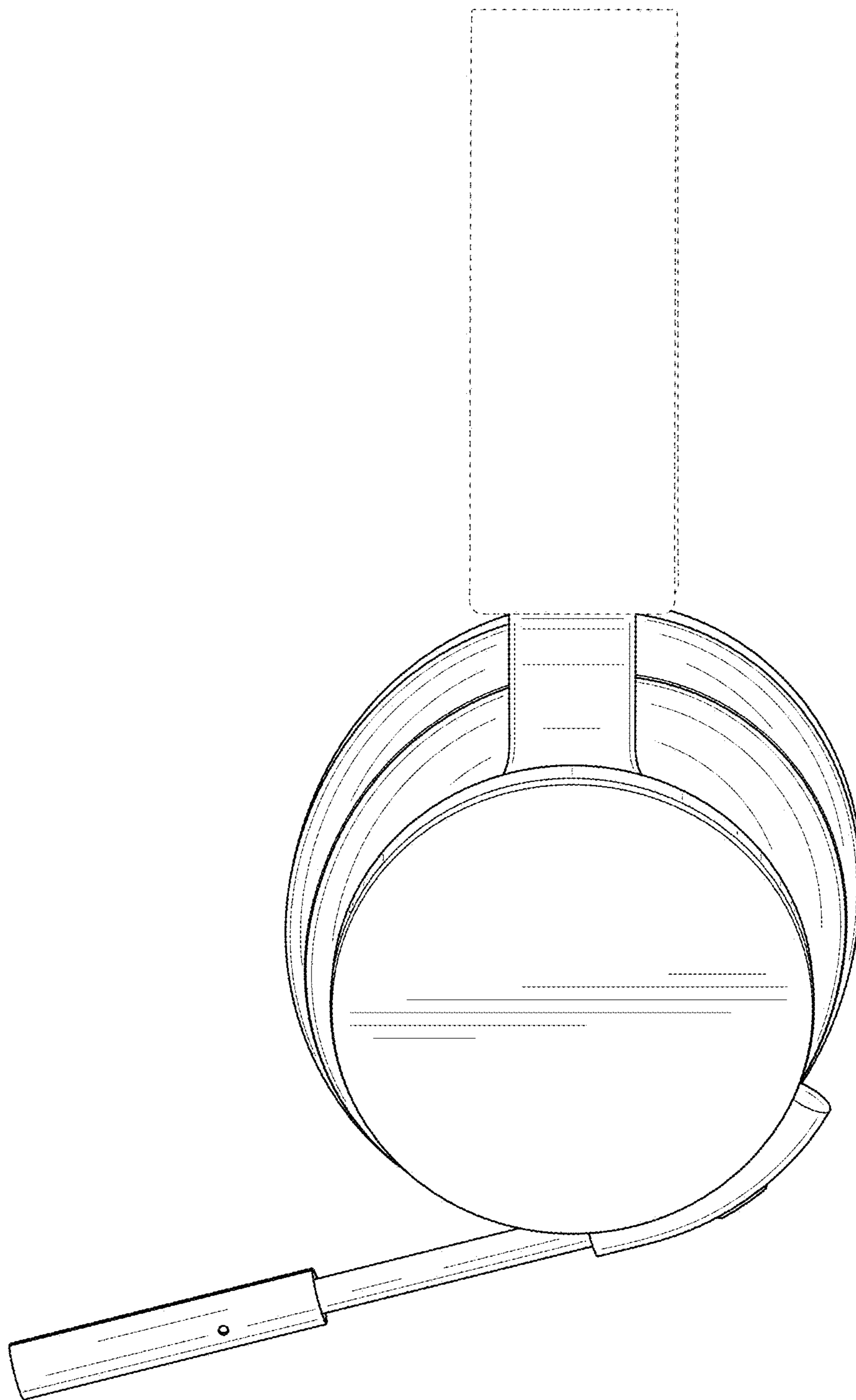


FIG. 8



FIG. 9



FIG. 10

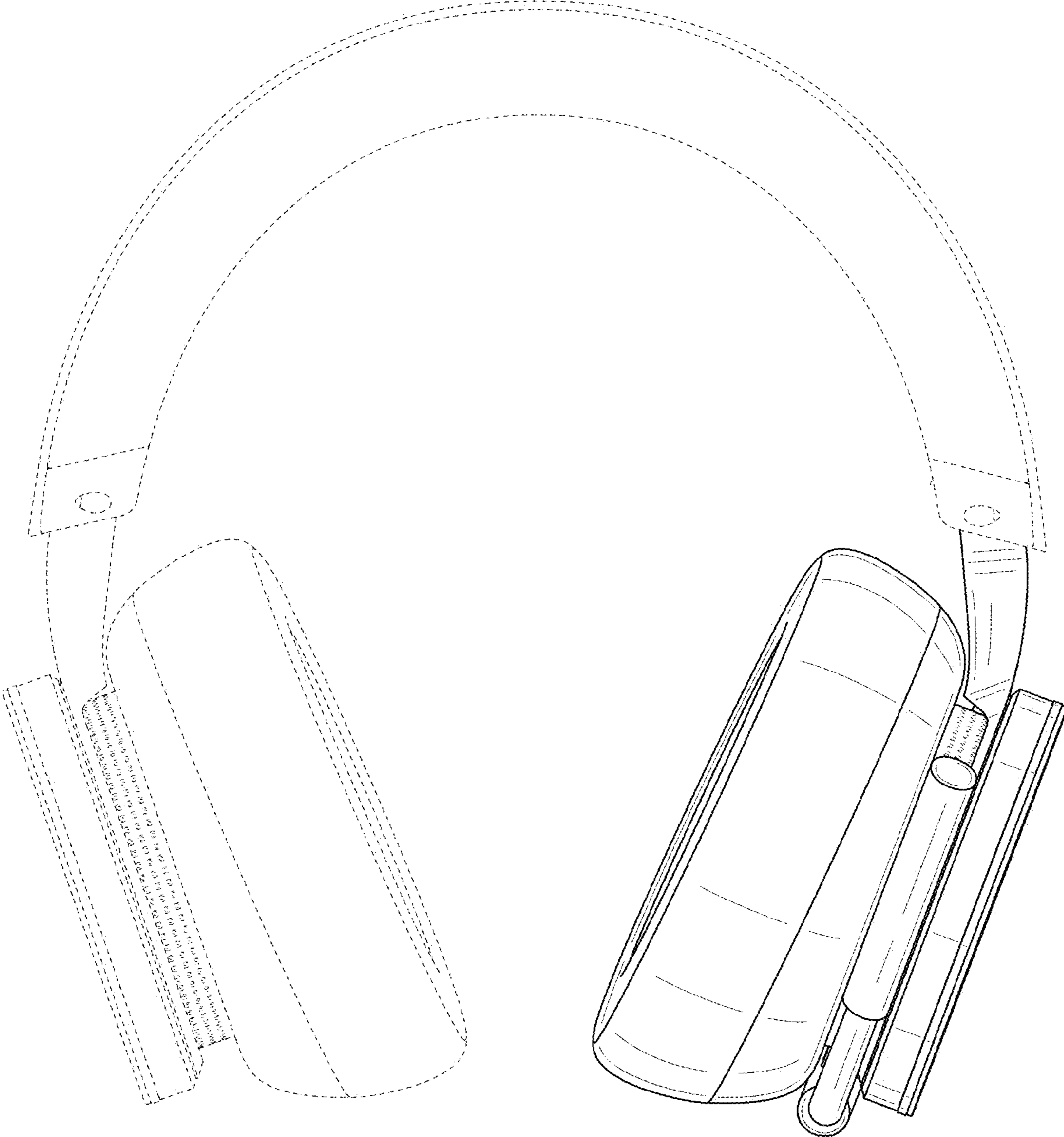


FIG. 11

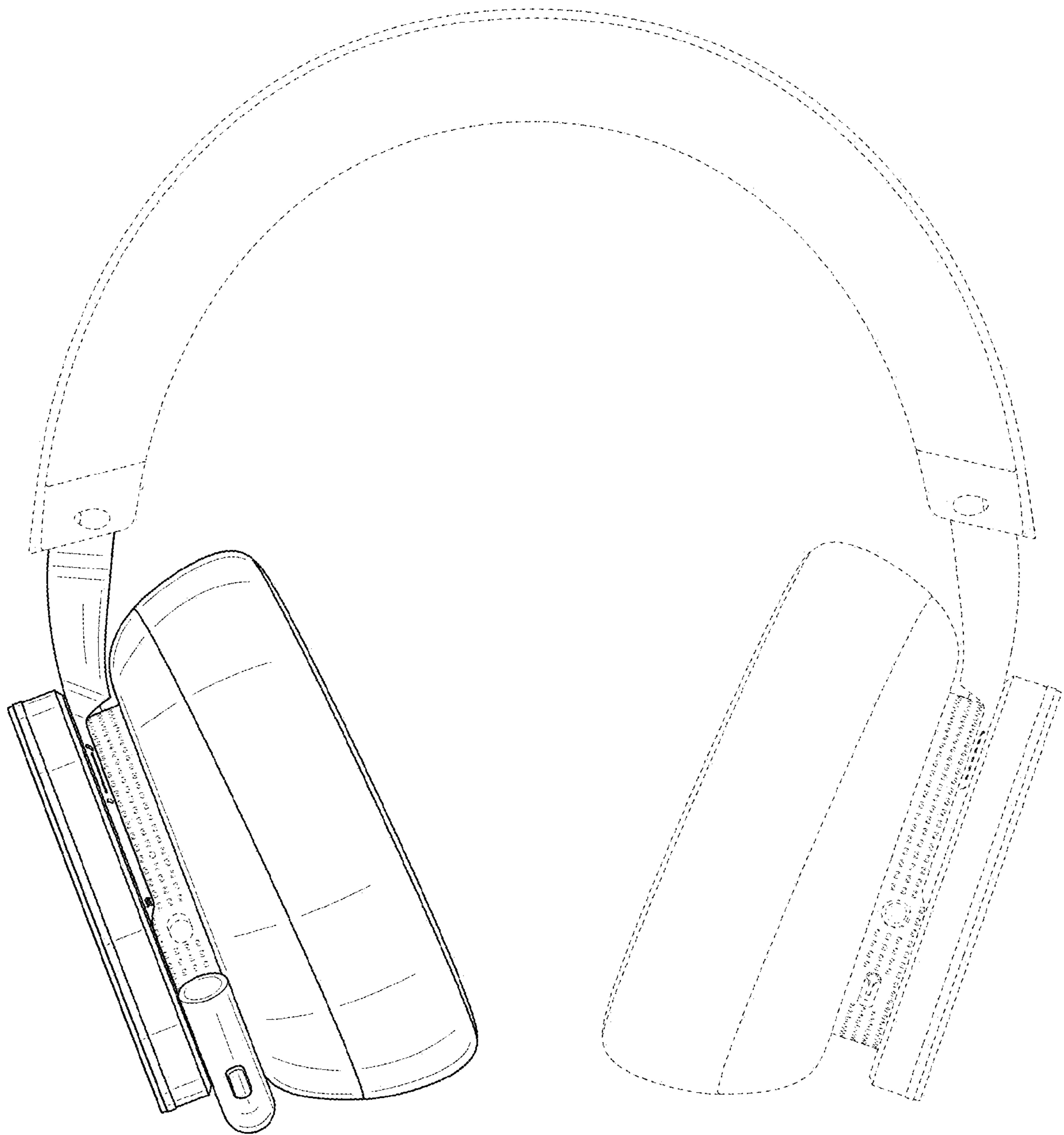


FIG. 12

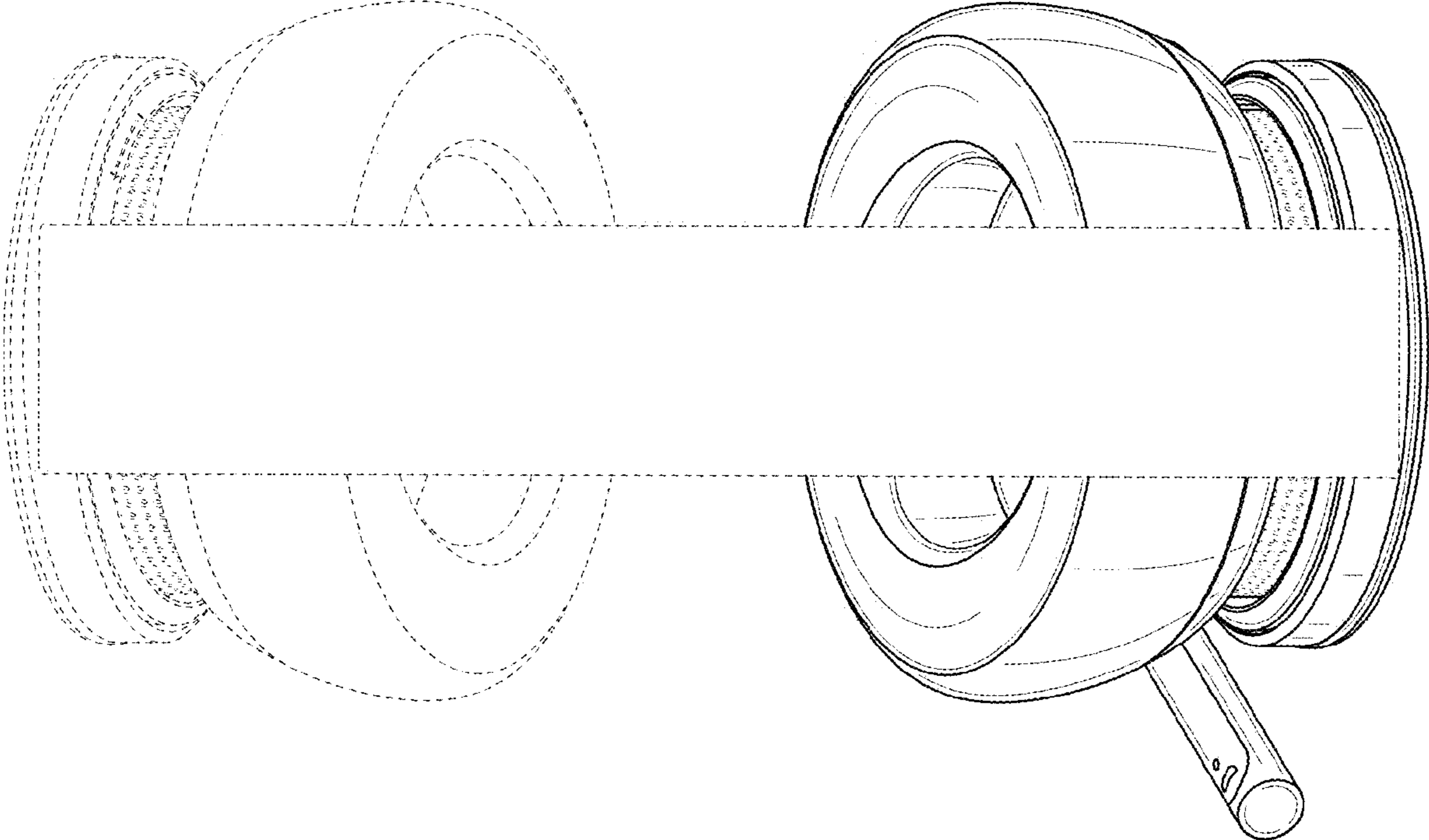


FIG. 13

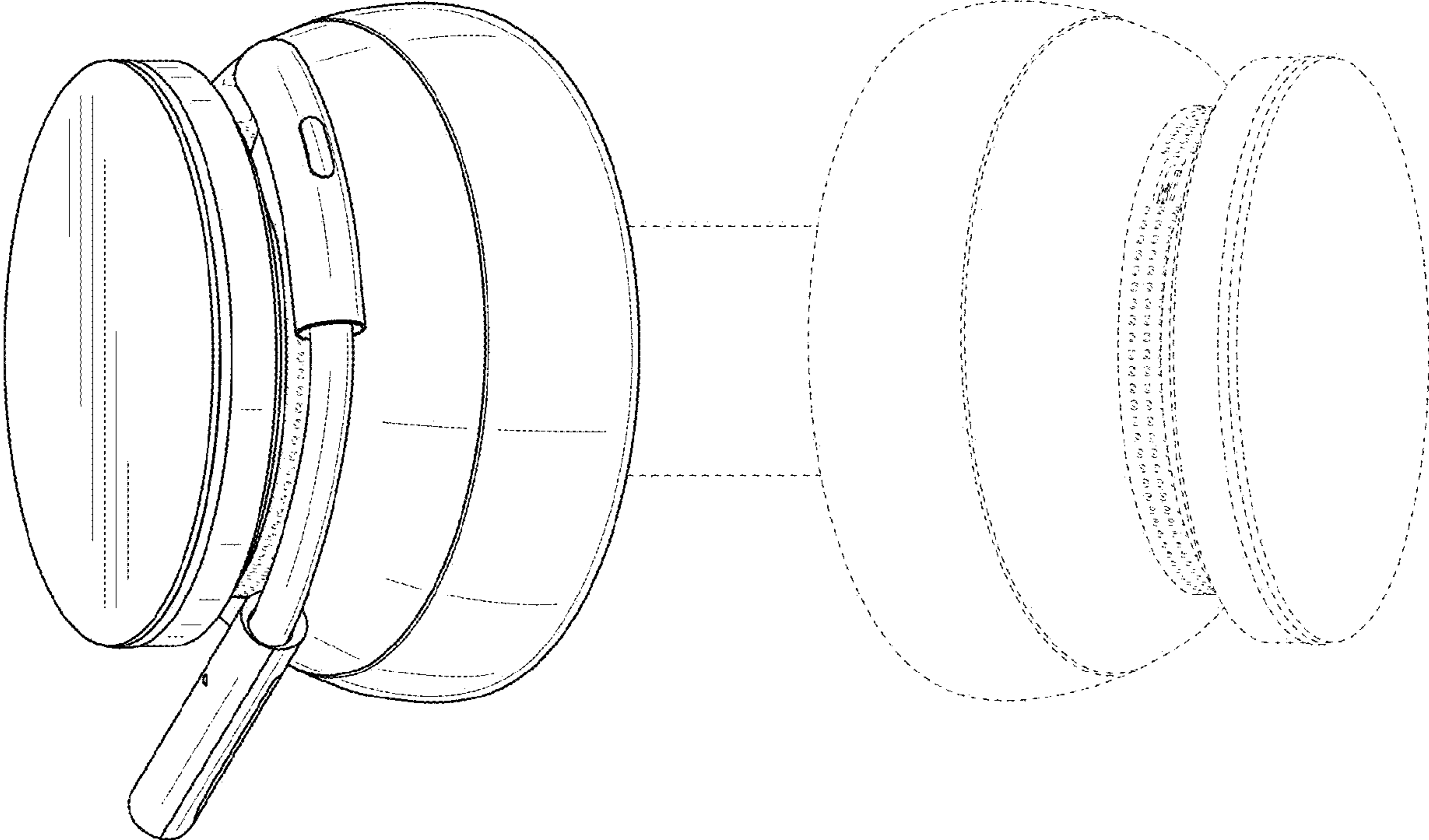


FIG. 14

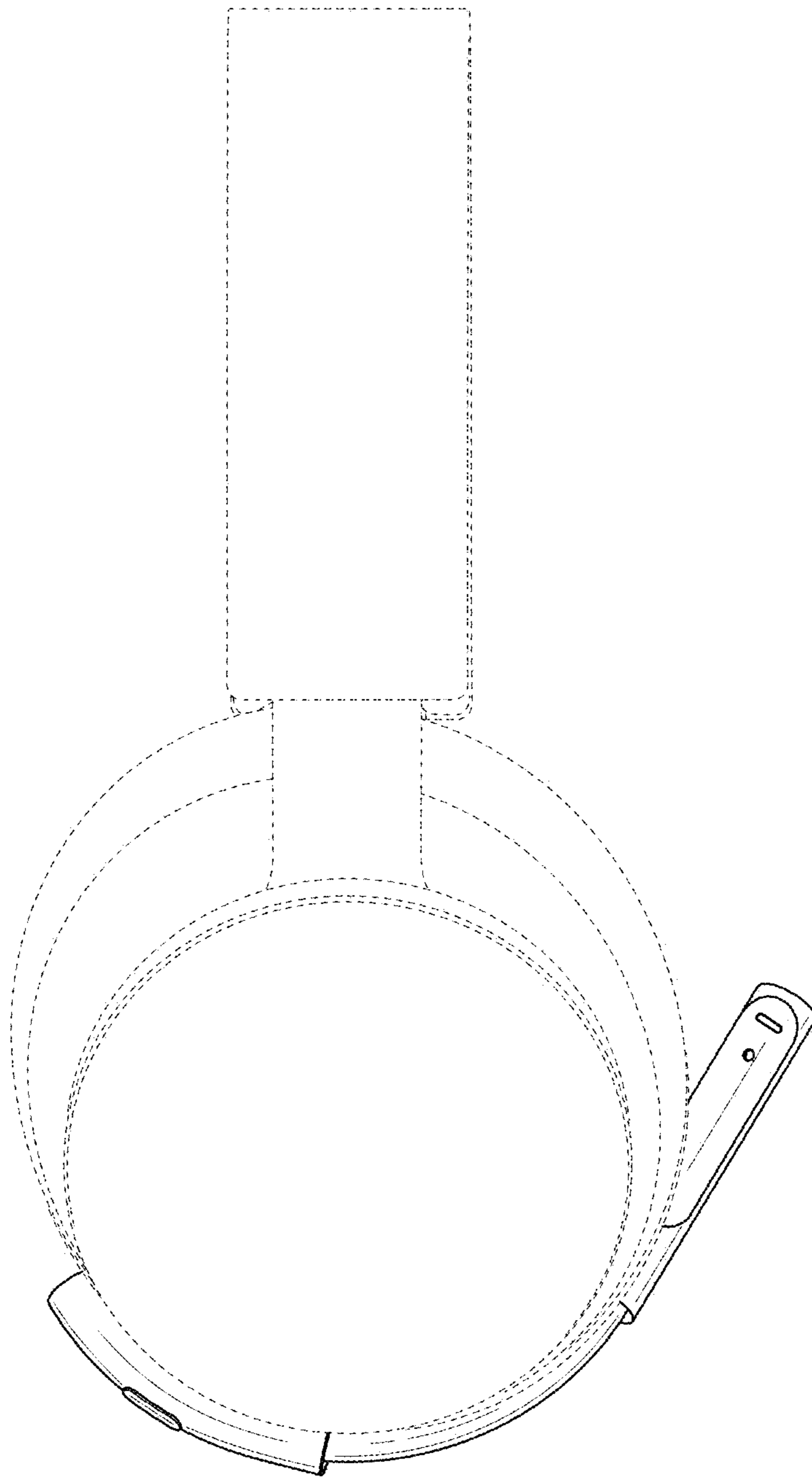


FIG. 15

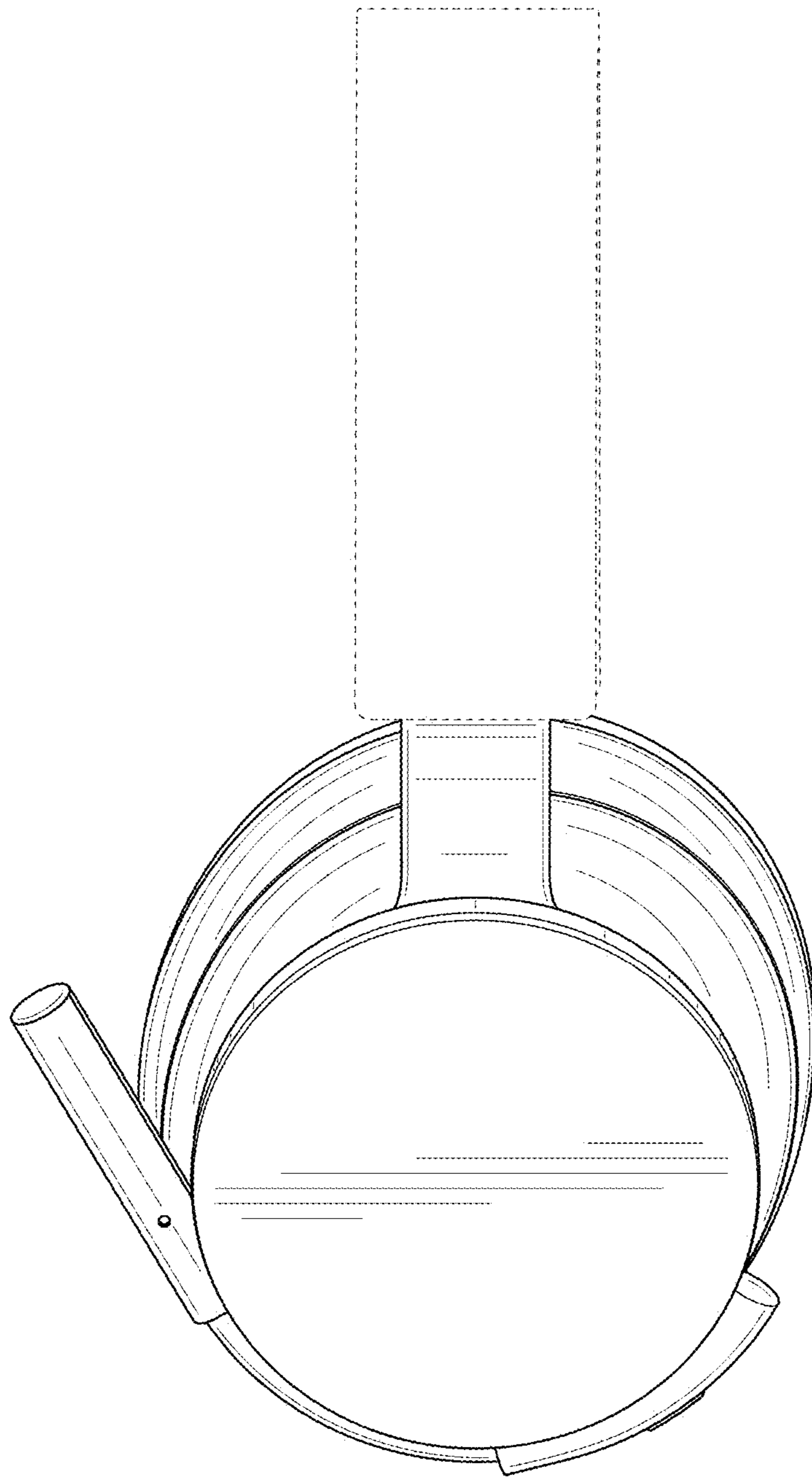


FIG. 16