

US00D960126S

(12) **United States Design Patent**  
**Mahaffy**

(10) **Patent No.:** **US D960,126 S**

(45) **Date of Patent:** **\*\* Aug. 9, 2022**

(54) **HEADSET FOR TELEPHONE**  
(71) Applicant: **GN AUDIO A/S**, Ballerup (DK)  
(72) Inventor: **Ian Raymond Mahaffy**, Ballerup (DK)  
(73) Assignee: **GN AUDIO A/S**, Ballerup (DK)  
(\*\*) Term: **15 Years**  
(21) Appl. No.: **29/746,393**

D538,261 S \* 3/2007 Taylor ..... D14/205  
D557,684 S \* 12/2007 Pundsack ..... D14/205  
D582,890 S \* 12/2008 Koza ..... D14/205  
D584,715 S \* 1/2009 Brennwald ..... D14/205  
D592,182 S \* 5/2009 Sanguinetti ..... D14/205  
D592,640 S \* 5/2009 Tkachuk ..... D14/205  
D603,370 S \* 11/2009 Suzuki ..... D14/205  
D632,668 S \* 2/2011 Brunner ..... D14/205  
D637,176 S \* 5/2011 Brunner ..... D14/205  
D641,727 S \* 7/2011 Krauss ..... D14/206  
D652,406 S \* 1/2012 Lee ..... D14/205  
8,098,872 B2 \* 1/2012 Chang ..... H04R 1/1075  
381/370

(Continued)

(22) Filed: **Aug. 13, 2020**

(30) **Foreign Application Priority Data**

Mar. 17, 2020 (EM) ..... 007757406-0001

(51) **LOC (13) Cl.** ..... **14-01**

(52) **U.S. Cl.**  
USPC ..... **D14/206**; D14/226

(58) **Field of Classification Search**  
USPC ..... D14/206, 226, 205; D29/112; 2/209;  
362/105; D28/41; 132/275; 381/380,  
381/381, 370  
CPC ..... F21V 21/084; F21V 33/00; G02B 27/01;  
G02B 27/017; H04R 25/00; H04R 25/02;  
H04R 1/1066; H04R 1/1016; H04R  
5/033; H04R 5/0335; H04R 1/02; H04R  
1/10; H04R 19/04; H04R 9/06; H04R  
1/1041

See application file for complete search history.

(56) **References Cited**

**U.S. PATENT DOCUMENTS**

3,454,964 A \* 7/1969 Brinkhoff ..... A61F 11/14  
381/372  
D255,352 S \* 6/1980 Besasie ..... D14/205  
D484,485 S \* 12/2003 Matsuoka ..... D14/205  
D512,417 S \* 12/2005 Hirakawa ..... D14/223  
7,172,052 B2 \* 2/2007 Lenhard-Backhaus .....  
H04R 1/1066  
181/129

**FOREIGN PATENT DOCUMENTS**

CN 306422072 \* 3/2021  
CN 307141845 \* 3/2022

(Continued)

*Primary Examiner* — Paula Allen Greene  
(74) *Attorney, Agent, or Firm* — Hamre, Schumann,  
Mueller & Larson, P.C.

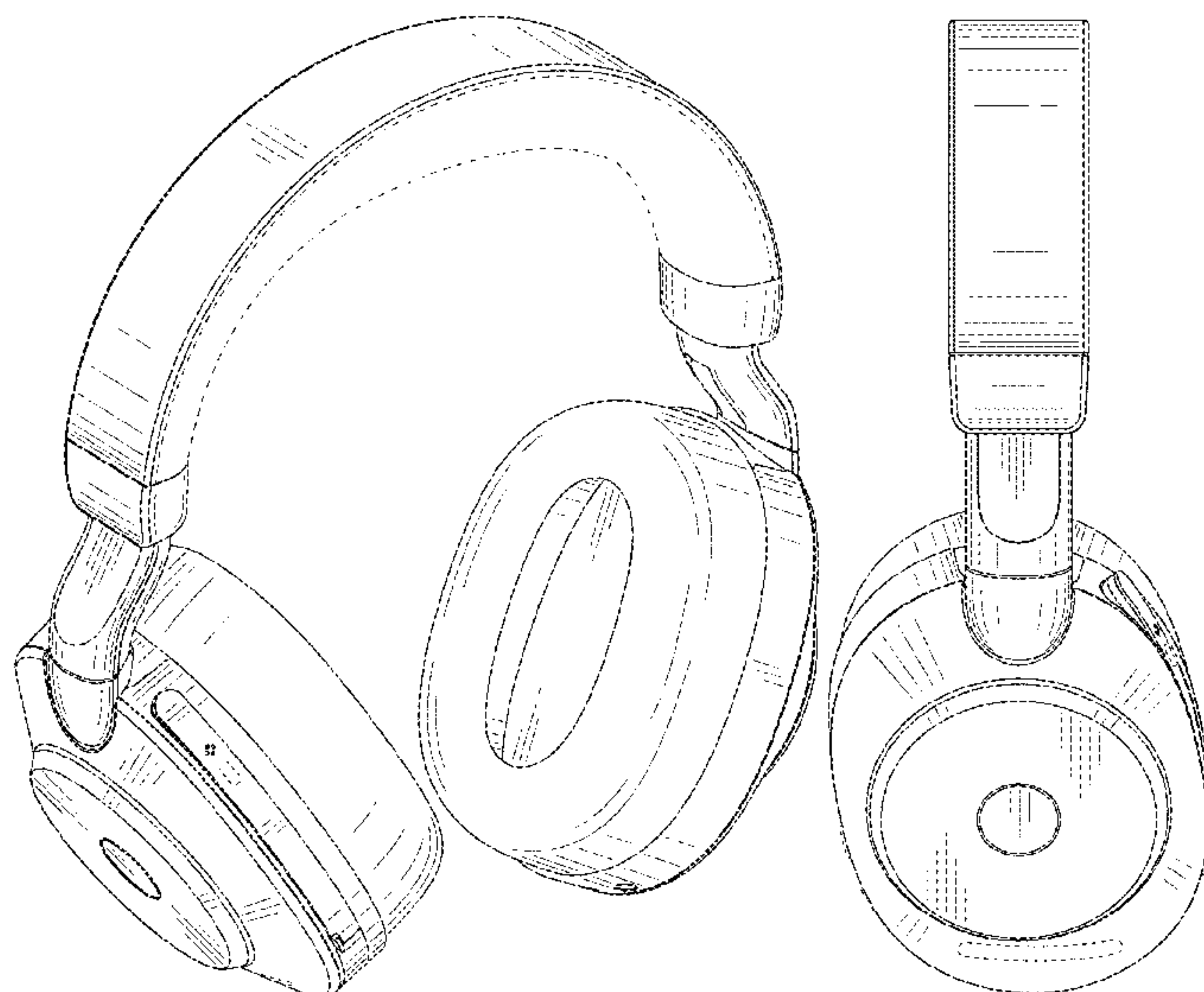
(57) **CLAIM**

The ornamental design for a headset for telephone, as shown and described.

**DESCRIPTION**

FIG. 1 is a perspective top view of the headset for telephone. The ear cushions on the right and left headphone elements are mirror images/identical.  
FIG. 2 is a front view thereof.  
FIG. 3 is a rear view thereof.  
FIG. 4 is a right view thereof.  
FIG. 5 is a left view thereof.  
FIG. 6 is a top view thereof; and,  
FIG. 7 is the bottom view thereof.  
The headset for telephone features shown in broken lines form no part of the claimed design. The interior of the headband is disclaimed as shown in broken lines.

**1 Claim, 6 Drawing Sheets**



(56)

References Cited

U.S. PATENT DOCUMENTS

D657,776 S \* 4/2012 Lee ..... D14/205  
 8,295,529 B2 \* 10/2012 Petersen ..... H04R 1/083  
 381/374  
 D673,520 S \* 1/2013 Tan ..... D14/205  
 D692,410 S \* 10/2013 Brunner ..... H04R 1/1008  
 D14/206  
 D725,628 S \* 3/2015 Tompkin ..... D14/205  
 9,031,254 B2 \* 5/2015 Heise ..... H04R 1/1066  
 381/74  
 D763,820 S \* 8/2016 Mchatet ..... D14/205  
 9,426,554 B2 \* 8/2016 Dai ..... H04R 1/105  
 D778,258 S \* 2/2017 Hsu ..... D14/205  
 D782,999 S \* 4/2017 Spio ..... D14/206  
 D806,675 S \* 1/2018 Fuglsang ..... D14/206  
 D806,676 S \* 1/2018 Fuglsang ..... D14/206  
 9,980,037 B2 \* 5/2018 Miwa ..... H04R 1/1008  
 10,178,463 B2 \* 1/2019 Smiechowski ..... H04R 1/105  
 D842,267 S \* 3/2019 Pedersen ..... D14/205  
 D849,713 S \* 5/2019 Hänggi ..... D14/205  
 D875,073 S \* 2/2020 Pedersen ..... D14/206  
 D878,327 S \* 3/2020 Dhondt ..... D14/205

D879,066 S \* 3/2020 Chen ..... D14/205  
 D881,840 S \* 4/2020 Chen ..... D14/205  
 D890,123 S \* 7/2020 Yoshimura ..... D14/205  
 D910,592 S \* 2/2021 Luo ..... D14/205  
 D910,595 S \* 2/2021 Shen ..... D14/206  
 D913,988 S \* 3/2021 Bellham ..... D14/205  
 D927,458 S \* 8/2021 Su ..... D14/206  
 D936,035 S \* 11/2021 Tang ..... D14/205  
 D937,805 S \* 12/2021 Bellham ..... D14/205  
 2010/0040252 A1 \* 2/2010 Thompson ..... H04R 1/083  
 381/375  
 2011/0206216 A1 \* 8/2011 Brunner ..... H04R 1/1066  
 381/74  
 2015/0382101 A1 \* 12/2015 Dai ..... H04M 1/6058  
 381/375  
 2018/0262825 A1 \* 9/2018 Boyer ..... H04R 1/105  
 2021/0306736 A1 \* 9/2021 Stefansen ..... H04R 1/083

FOREIGN PATENT DOCUMENTS

JP D1683717 \* 3/2021  
 WO D213570-001 \* 2/2021

\* cited by examiner

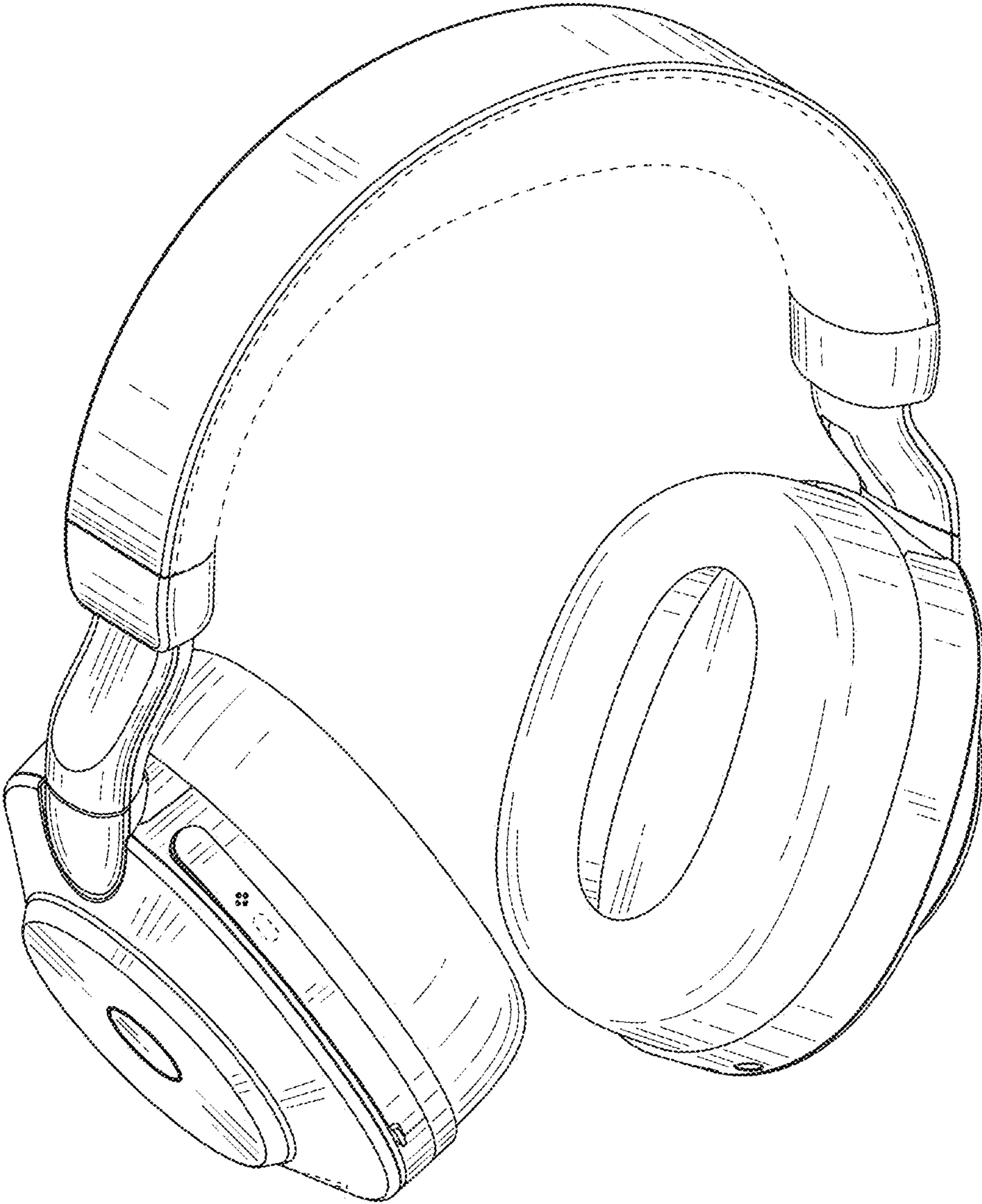


FIG. 1



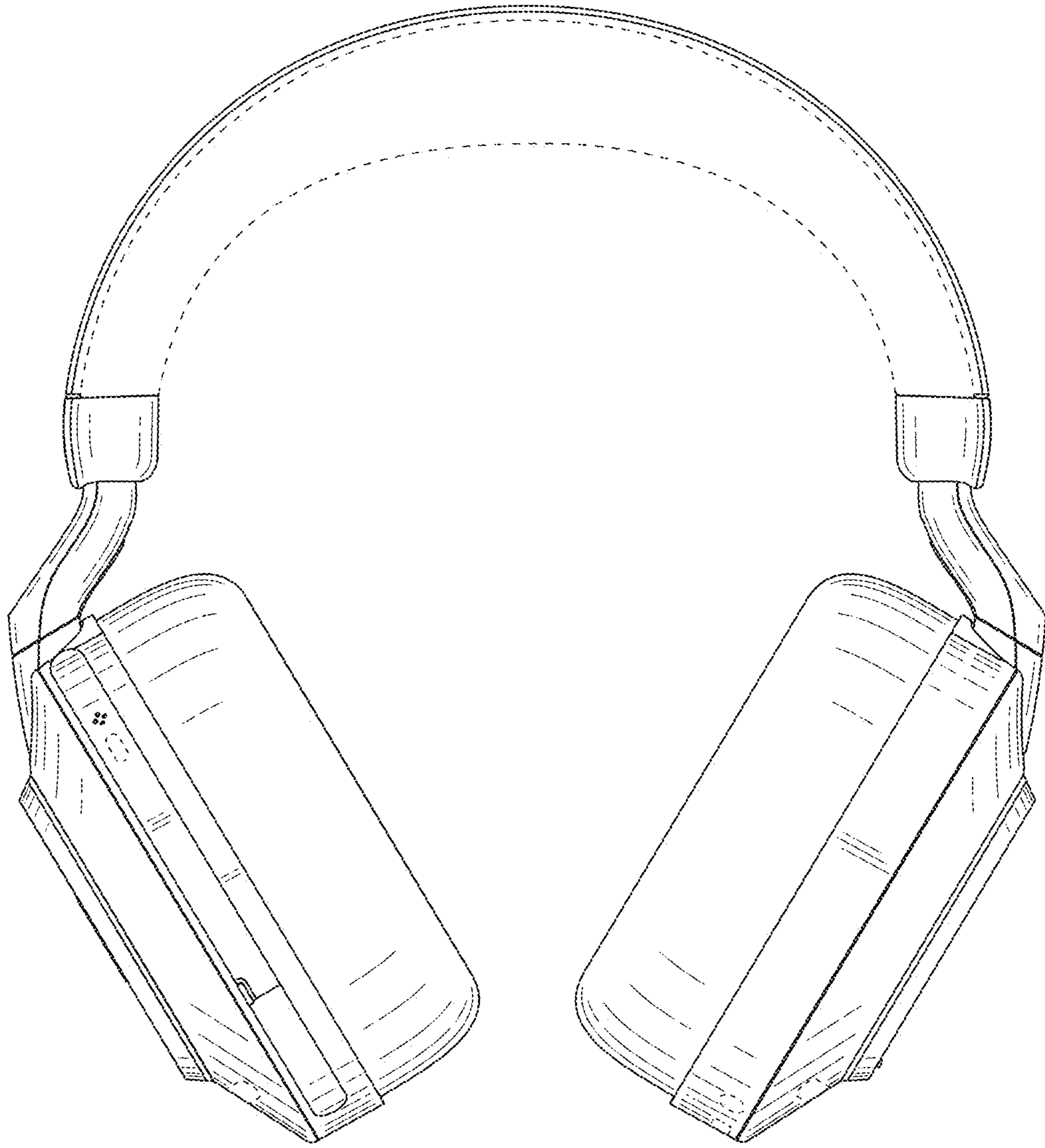


FIG. 2

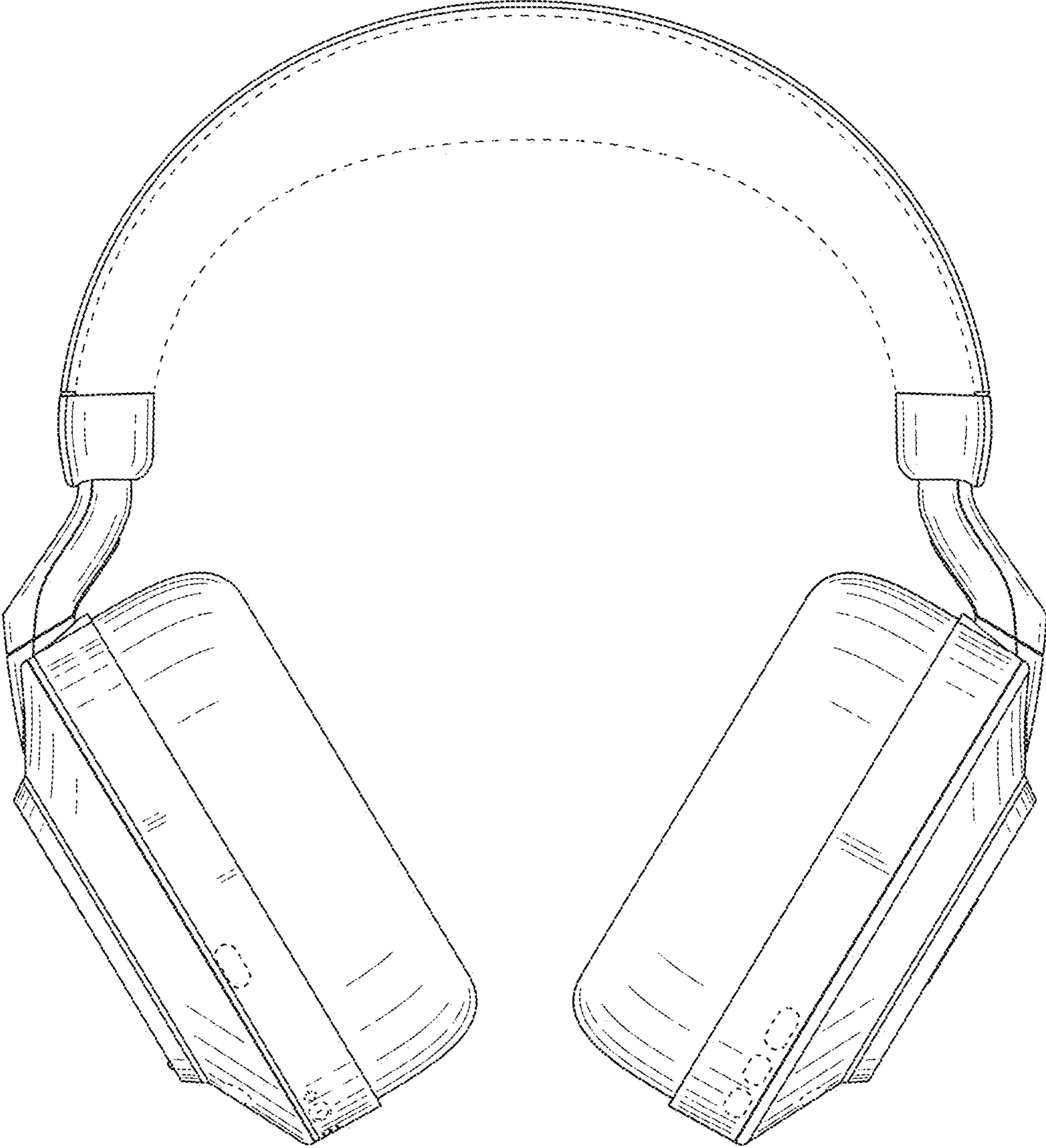


FIG. 3

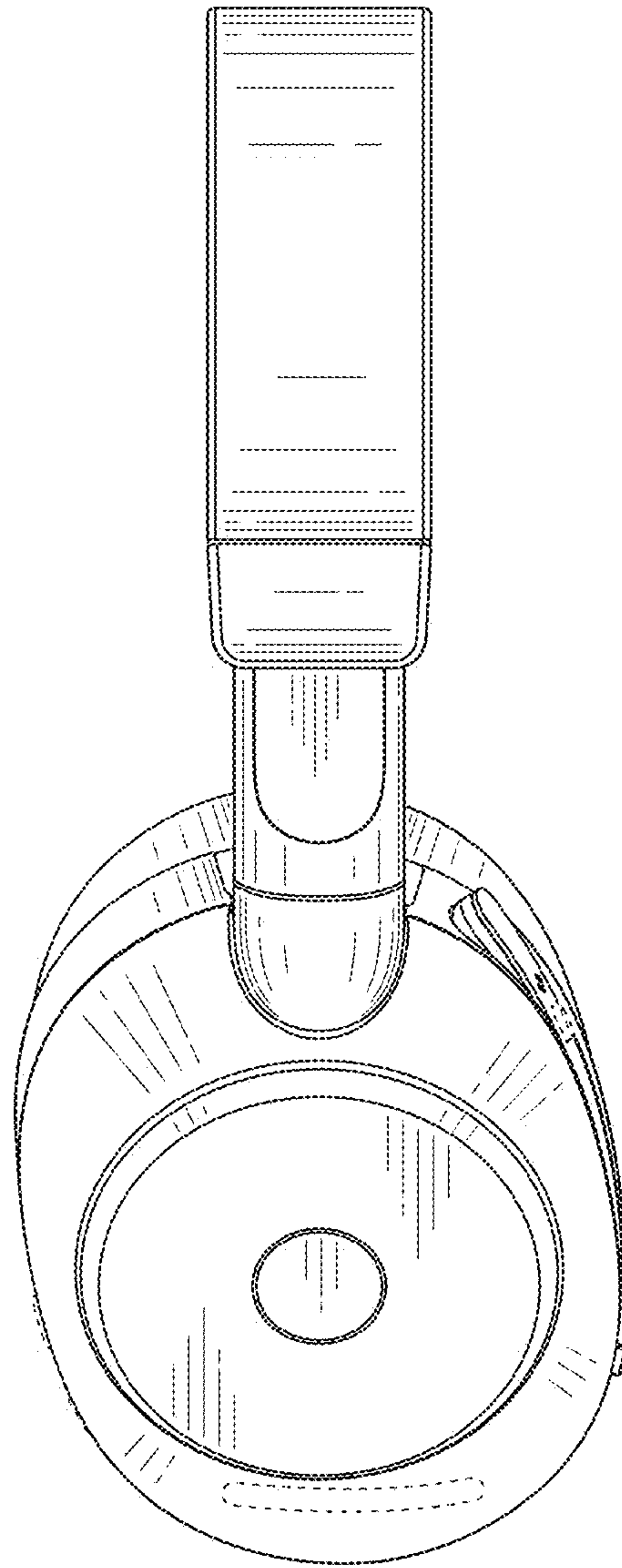


FIG. 4

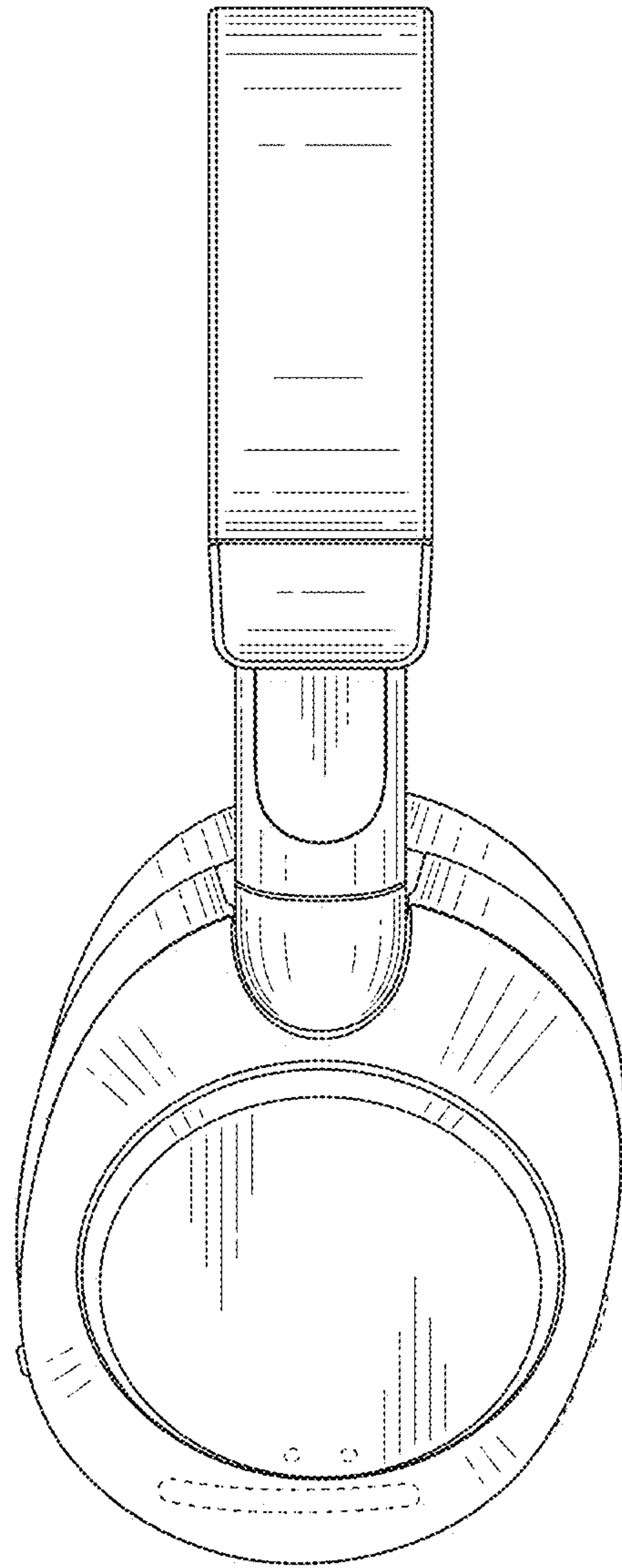


FIG. 5

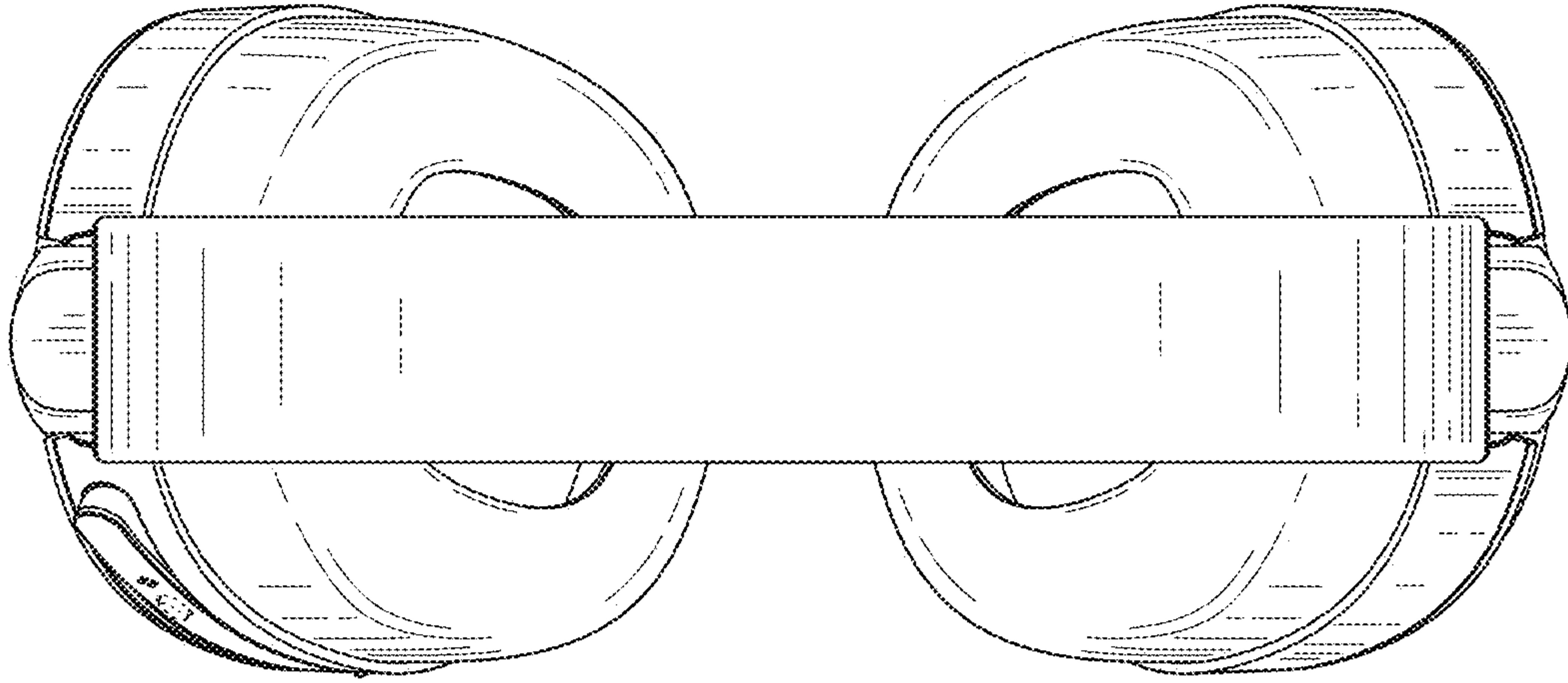


FIG. 6

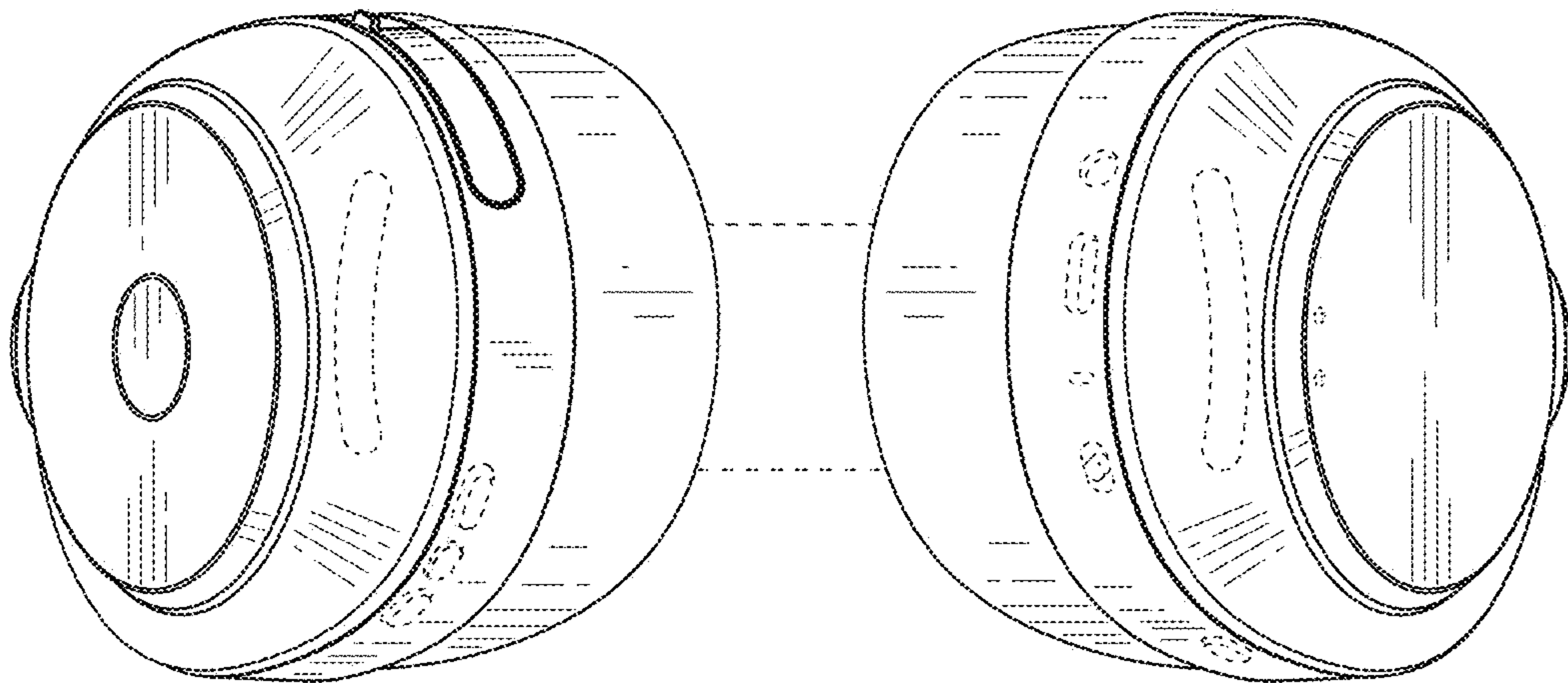


FIG. 7