



US00D960125S

(12) **United States Design Patent** (10) **Patent No.:** **US D960,125 S**  
**Rois** (45) **Date of Patent:** **\*\* Aug. 9, 2022**

(54) **AUDIO HEADPHONES**

(71) Applicant: **Stephen John Rois**, St. Louis, MO (US)

(72) Inventor: **Stephen John Rois**, St. Louis, MO (US)

(\*\*) Term: **15 Years**

(21) Appl. No.: **29/828,629**

(22) Filed: **Feb. 28, 2022**

**Related U.S. Application Data**

(62) Division of application No. 29/807,530, filed on Sep. 13, 2021, now Pat. No. Des. 945,981, which is a division of application No. 29/721,807, filed on Jan. 23, 2020, now Pat. No. Des. 933,041.

(51) **LOC (13) Cl.** ..... **14-01**

(52) **U.S. Cl.**  
USPC ..... **D14/205**

(58) **Field of Classification Search**  
USPC ..... D14/205, 188, 192; D29/112; 2/209;  
381/380, 381, 374; 455/90.3, 575.1,  
455/569.1

CPC ..... H04R 25/00; H04R 25/02; H04R 1/1066;  
H04R 1/1016; H04R 5/033; H04R  
5/0335; H04R 1/10; H04R 1/1091  
See application file for complete search history.

(56) **References Cited**

**U.S. PATENT DOCUMENTS**

3,073,410 A 1/1963 Gongoll  
3,141,221 A 7/1964 Faulls, Jr.  
3,220,505 A 11/1965 Hargrave  
D215,375 S \* 9/1969 Daggert ..... D10/118  
D227,742 S \* 7/1973 Logsdon ..... D8/367  
4,133,053 A 1/1979 Lundin  
4,385,209 A 5/1983 Greason  
4,523,661 A 6/1985 Scalzo

D300,528 S \* 4/1989 Drane ..... D13/171  
4,856,118 A 8/1989 Sapiejewski  
4,905,322 A 3/1990 Aileo  
5,018,599 A 5/1991 Dohi  
5,020,163 A 6/1991 Aileo  
5,068,923 A 12/1991 Sjoqvist  
5,144,678 A 9/1992 Lenz  
5,500,958 A 3/1996 Falco  
D374,658 S 10/1996 Bever et al.  
D375,584 S 11/1996 Westerdal  
5,666,702 A 9/1997 Ming-Chieh  
D385,665 S 10/1997 Westerdal  
5,812,680 A 9/1998 Glendon

(Continued)

**FOREIGN PATENT DOCUMENTS**

EM 0080233450002 6/2020

*Primary Examiner* — Paula Allen Greene

(74) *Attorney, Agent, or Firm* — Harness, Dickey & Pierce, P.L.C.; Anthony G. Fussner

(57) **CLAIM**

The ornamental design for audio headphones, as shown and described.

**DESCRIPTION**

FIG. 1 is a perspective view of audio headphones, showing my new design;

FIG. 2 is a perspective view thereof;

FIG. 3 is a perspective view thereof;

FIG. 4 is a perspective view thereof;

FIG. 5 is a front view thereof;

FIG. 6 is a back view thereof;

FIG. 7 is a right side view thereof;

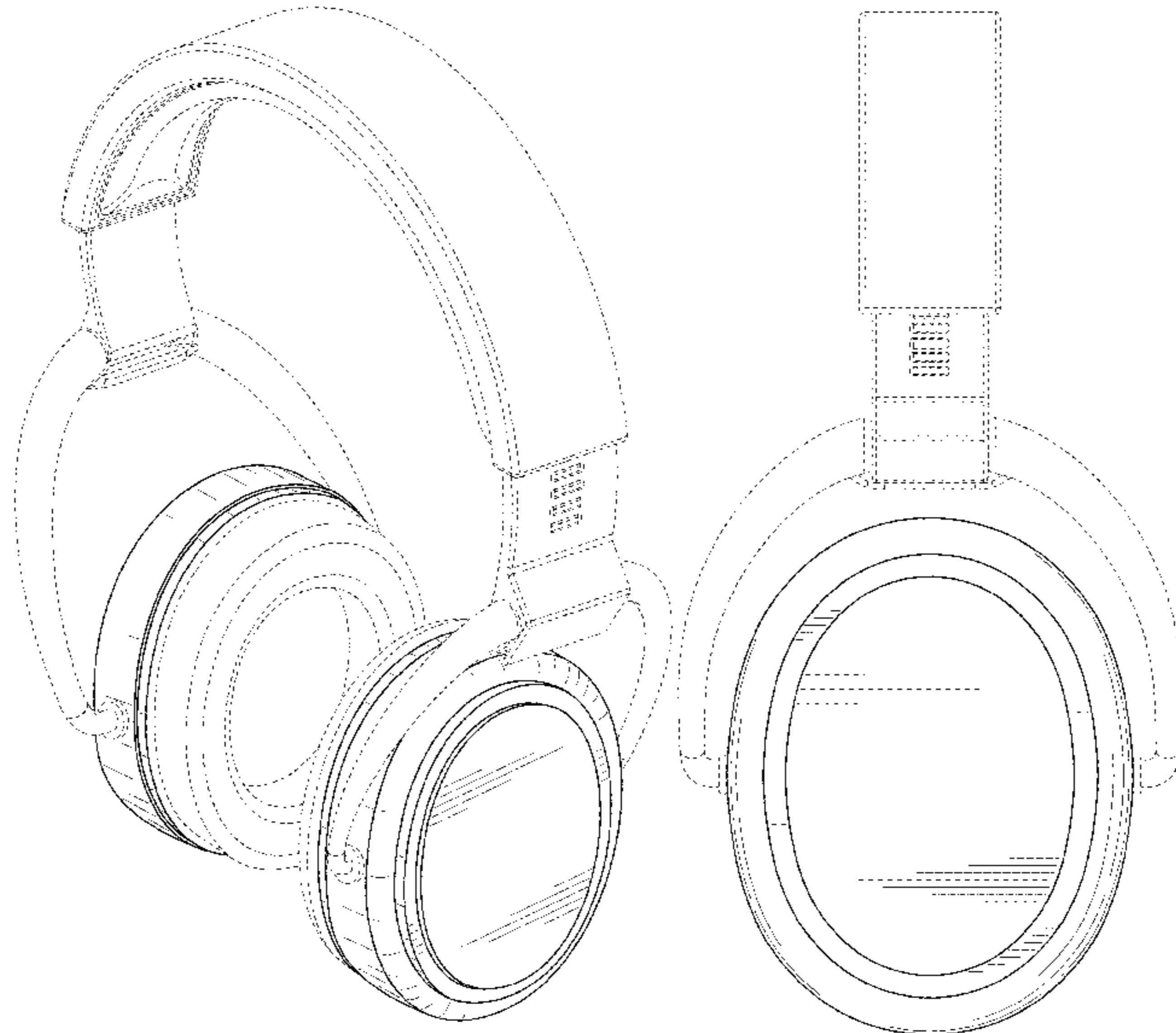
FIG. 8 is a left side view thereof;

FIG. 9 is a top view thereof; and,

FIG. 10 is a bottom view thereof.

In the drawings, the broken lines depict portions of the audio headphones that form no part of the claimed design.

**1 Claim, 10 Drawing Sheets**



(56)

References Cited

U.S. PATENT DOCUMENTS

D407,985 S \* 4/1999 Pimentel ..... D10/104.2  
 5,996,123 A 12/1999 Leight  
 D463,784 S 10/2002 Taylor  
 D464,469 S \* 10/2002 Dix ..... D29/112  
 D465,616 S 11/2002 Nilsson  
 6,856,690 B1 2/2005 Skulley  
 D505,411 S 5/2005 Sakai  
 D512,417 S \* 12/2005 Hirakawa ..... D14/223  
 D541,485 S 4/2007 Birgersson  
 D544,650 S 6/2007 Westerdal  
 D549,217 S \* 8/2007 Viduya ..... D14/206  
 7,356,362 B2 4/2008 Chang et al.  
 7,388,960 B2 6/2008 Kuo  
 D573,581 S \* 7/2008 Gondo ..... D14/205  
 D581,394 S \* 11/2008 Lee ..... D14/205  
 D588,098 S \* 3/2009 Kurihara ..... D14/205  
 D603,370 S \* 11/2009 Suzuki ..... D14/205  
 D605,629 S \* 12/2009 Suwalski ..... D14/206  
 D616,419 S \* 5/2010 Suwalski ..... D14/206  
 7,853,034 B1 12/2010 Gresko  
 D634,732 S \* 3/2011 Kondo ..... D14/205  
 D639,775 S \* 6/2011 Horibe ..... D14/205  
 D639,776 S 6/2011 Arimoto  
 D642,554 S \* 8/2011 Schaal ..... D14/205  
 D648,706 S \* 11/2011 Gresko ..... D14/205  
 D649,956 S \* 12/2011 Gresko ..... D14/205  
 D651,764 S \* 1/2012 Gresko ..... A61F 11/14  
 D657,776 S \* 4/2012 Lee ..... D14/205  
 8,358,799 B1 1/2013 Gresko et al.  
 8,767,996 B1 \* 7/2014 Lin ..... H04R 3/12  
 381/370  
 D713,384 S 9/2014 McNamara  
 D734,297 S \* 7/2015 Sasaki ..... D14/205  
 D735,419 S 7/2015 Rose  
 D737,799 S 9/2015 Carr

D739,842 S \* 9/2015 Birger ..... D14/205  
 D741,550 S \* 10/2015 Edwardsson ..... D29/112  
 9,167,340 B2 \* 10/2015 Rois ..... H03G 11/04  
 D768,110 S \* 10/2016 Suzuki ..... D14/205  
 9,490,593 B2 \* 11/2016 Rois ..... H04R 1/06  
 D776,081 S 1/2017 Willman  
 D793,646 S 8/2017 Bacallao  
 D794,603 S \* 8/2017 Riggs ..... D14/205  
 D794,646 S \* 8/2017 Pelster ..... D14/447  
 D795,218 S \* 8/2017 Ohmachi ..... D14/205  
 D814,457 S \* 4/2018 Willis ..... D14/344  
 D815,065 S \* 4/2018 Willis ..... D14/223  
 D821,353 S \* 6/2018 Ohmachi ..... D14/205  
 10,187,716 B1 \* 1/2019 England ..... H04R 1/1008  
 D846,526 S \* 4/2019 Spencer ..... D14/205  
 D859,353 S \* 9/2019 Wagner ..... D14/205  
 D859,354 S \* 9/2019 Xia ..... D14/205  
 D881,475 S \* 4/2020 Xu ..... D29/112  
 D900,057 S \* 10/2020 Shan ..... D14/205  
 D902,456 S \* 11/2020 Nordmann ..... D26/28  
 D902,496 S \* 11/2020 Bui ..... D29/112  
 D909,991 S \* 2/2021 Nakayama ..... D14/205  
 D925,489 S 7/2021 Brunner  
 D933,041 S \* 10/2021 Rois ..... D14/205  
 D938,934 S \* 12/2021 Tsubone ..... D14/205  
 D945,981 S \* 3/2022 Rois ..... D14/205  
 2005/0220318 A1 10/2005 Han  
 2007/0041604 A1 \* 2/2007 Yang ..... H04R 1/1066  
 381/370  
 2012/0140973 A1 \* 6/2012 Olodort ..... H04R 1/1066  
 381/375  
 2014/0112519 A1 \* 4/2014 Chen ..... H04R 1/1083  
 381/379  
 2014/0205129 A1 \* 7/2014 Blair ..... H04R 1/1058  
 381/378  
 2017/0230746 A1 \* 8/2017 Silvestri ..... G10K 11/162  
 2019/0373353 A1 \* 12/2019 Yuen ..... H04R 5/0335  
 2020/0030151 A1 \* 1/2020 Hemberg ..... H04R 1/1083

\* cited by examiner

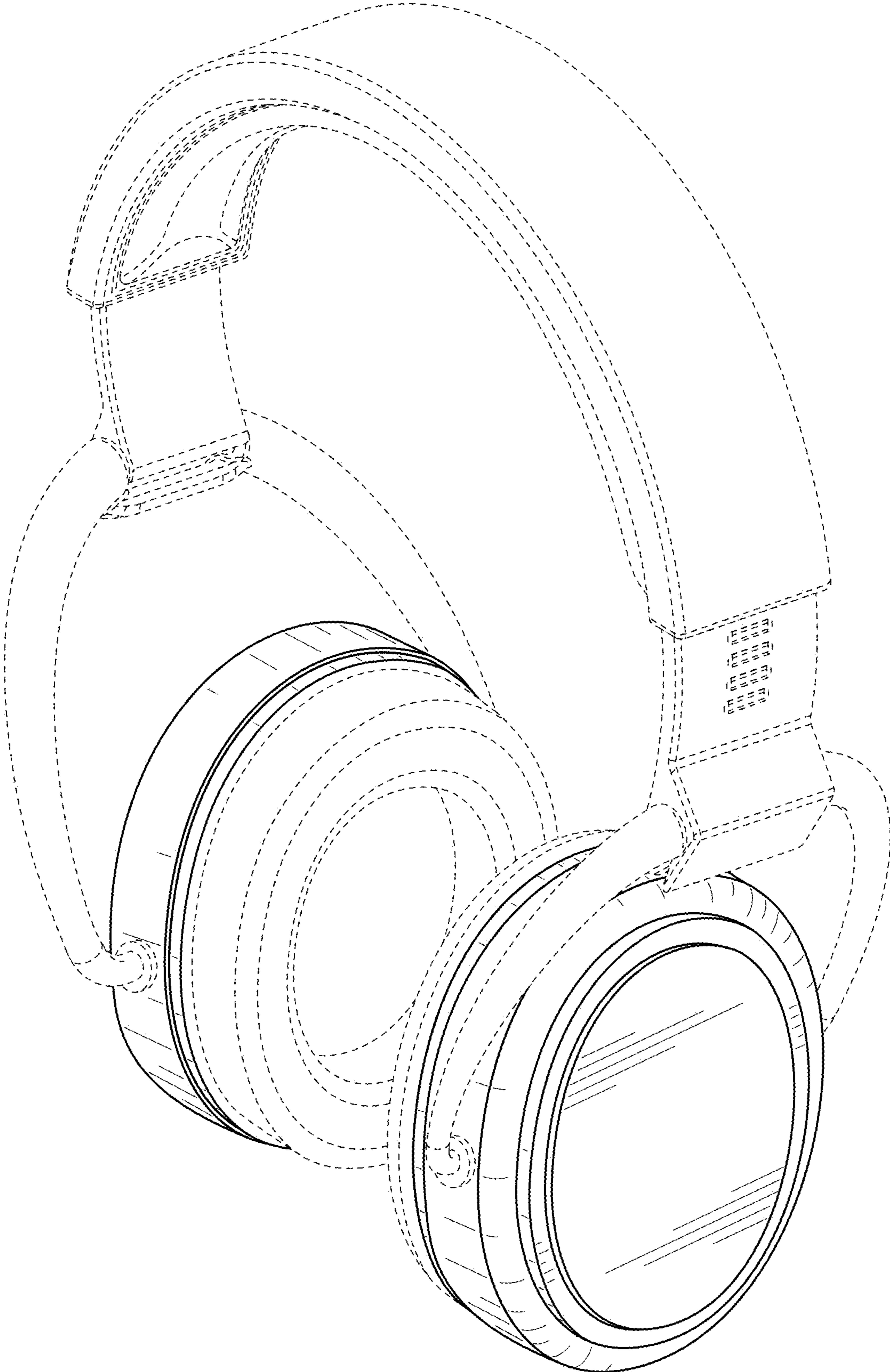


FIG. 1

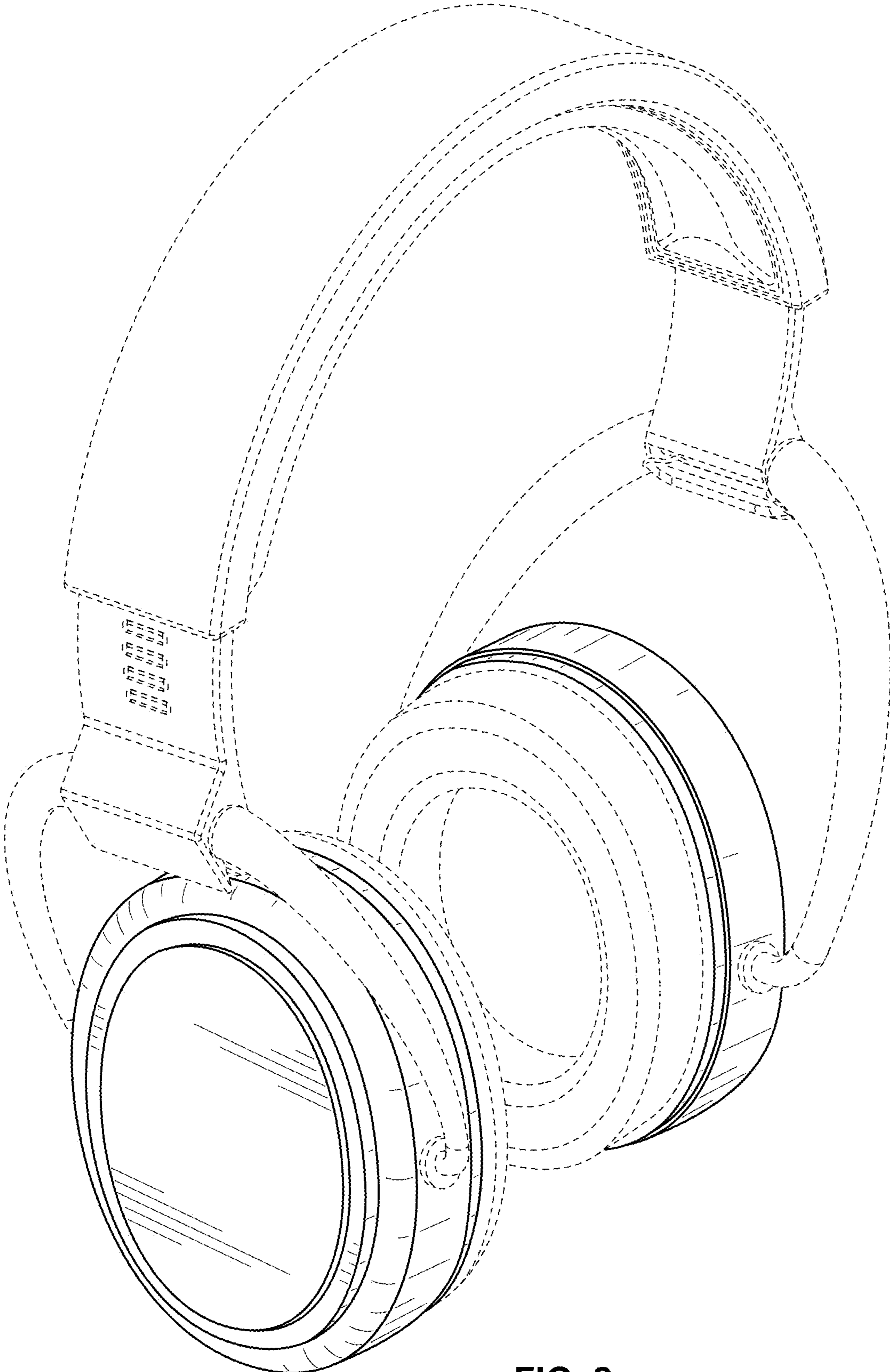


FIG. 2

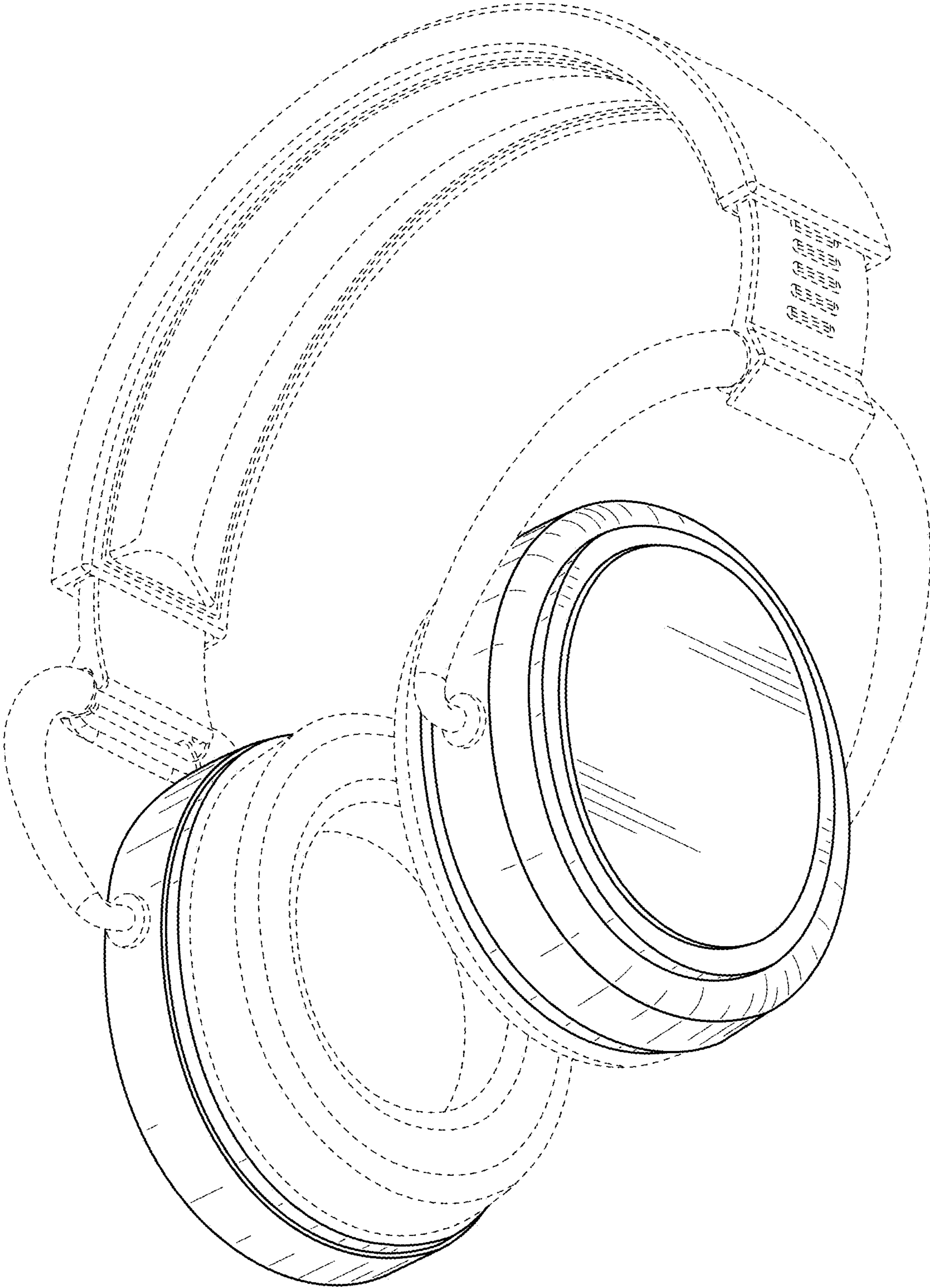


FIG. 3

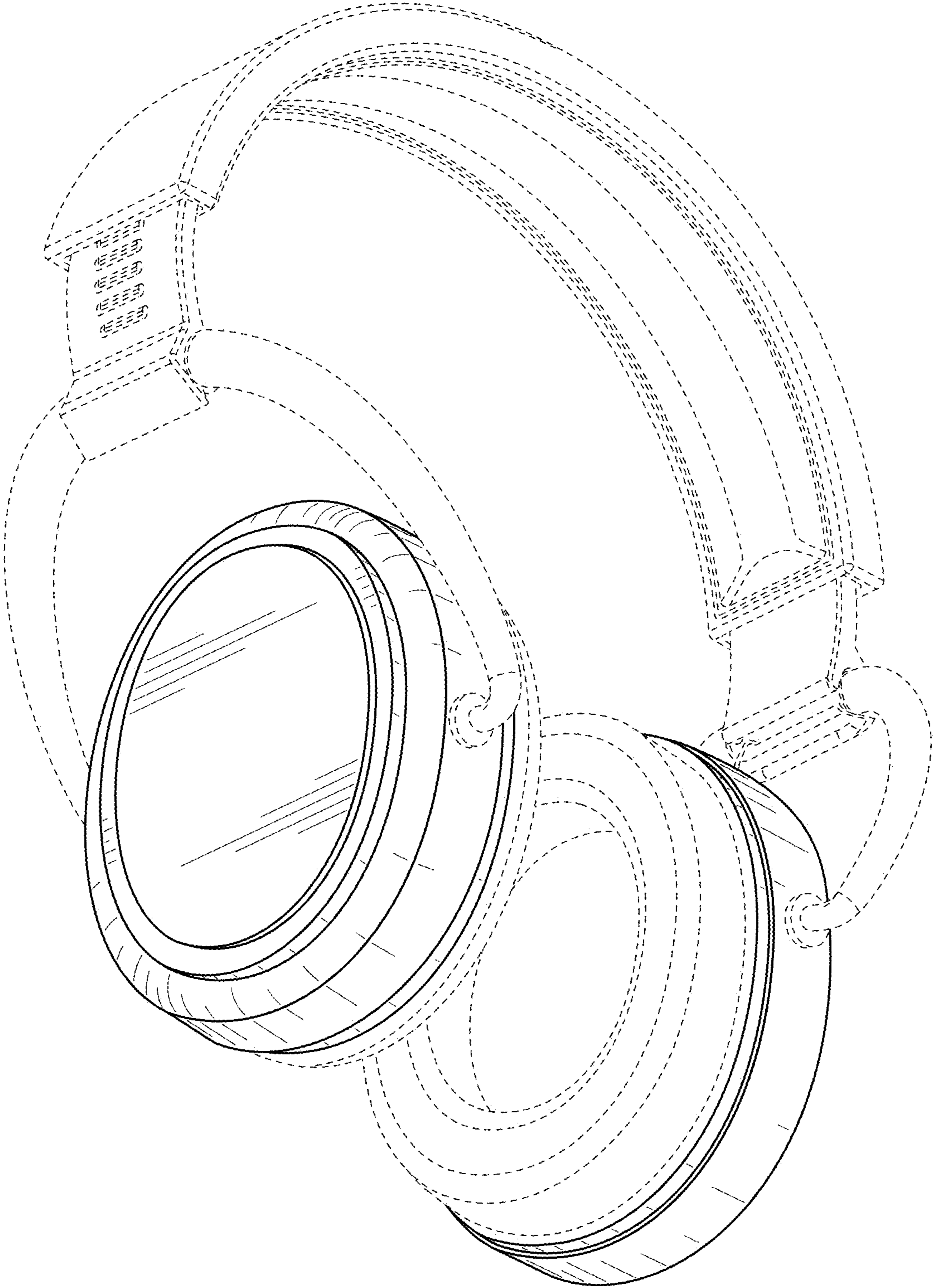


FIG. 4

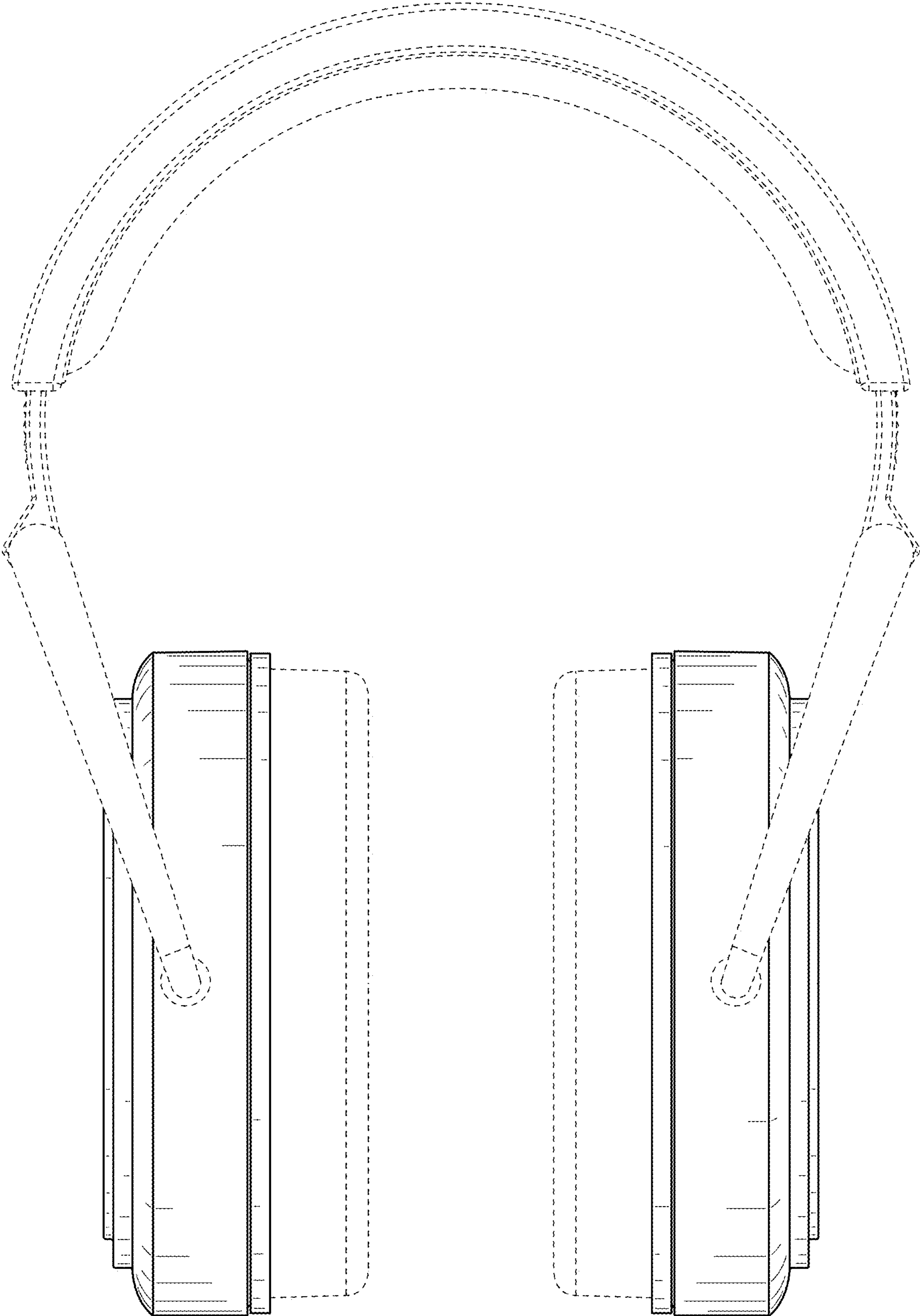


FIG. 5

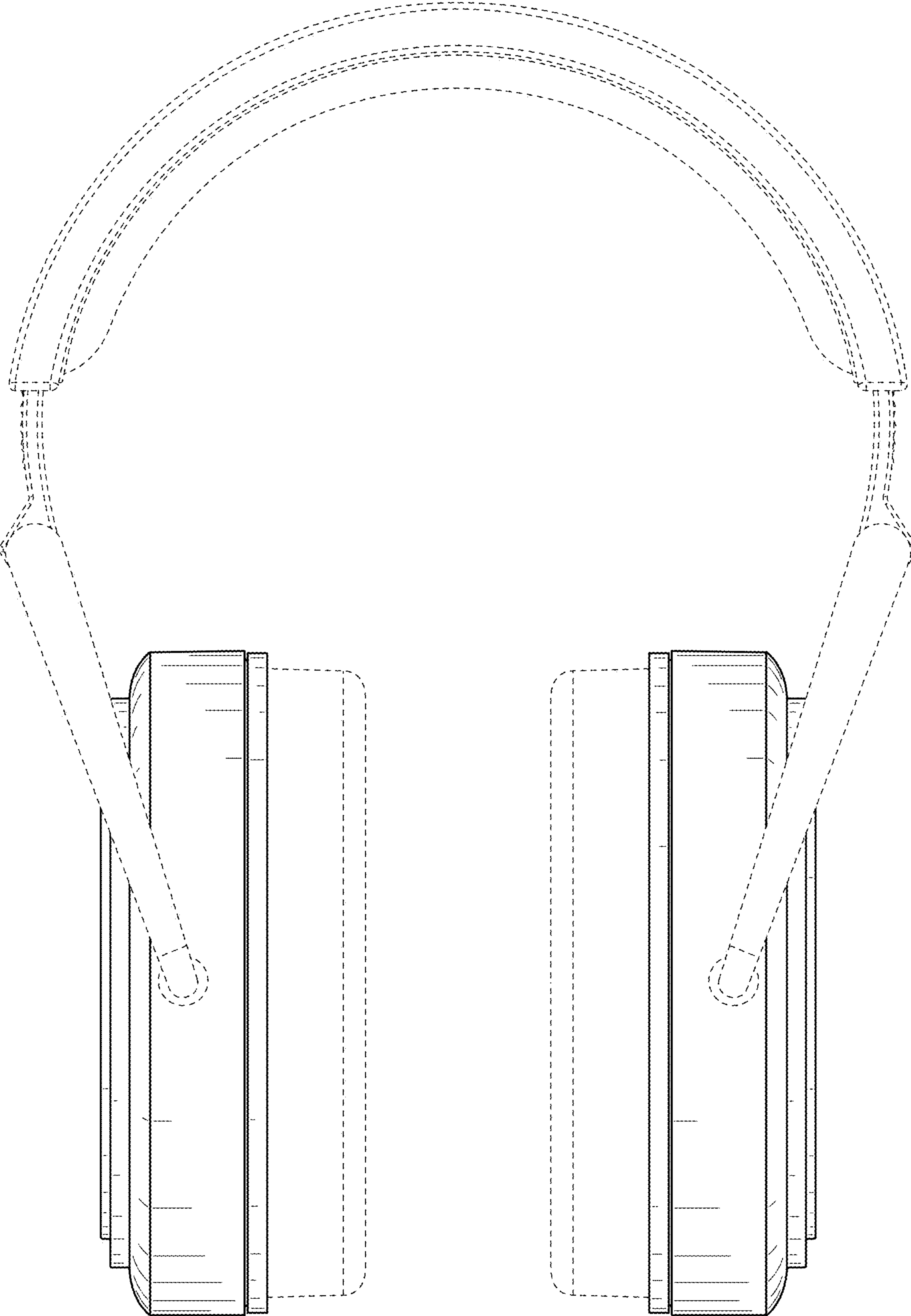


FIG. 6



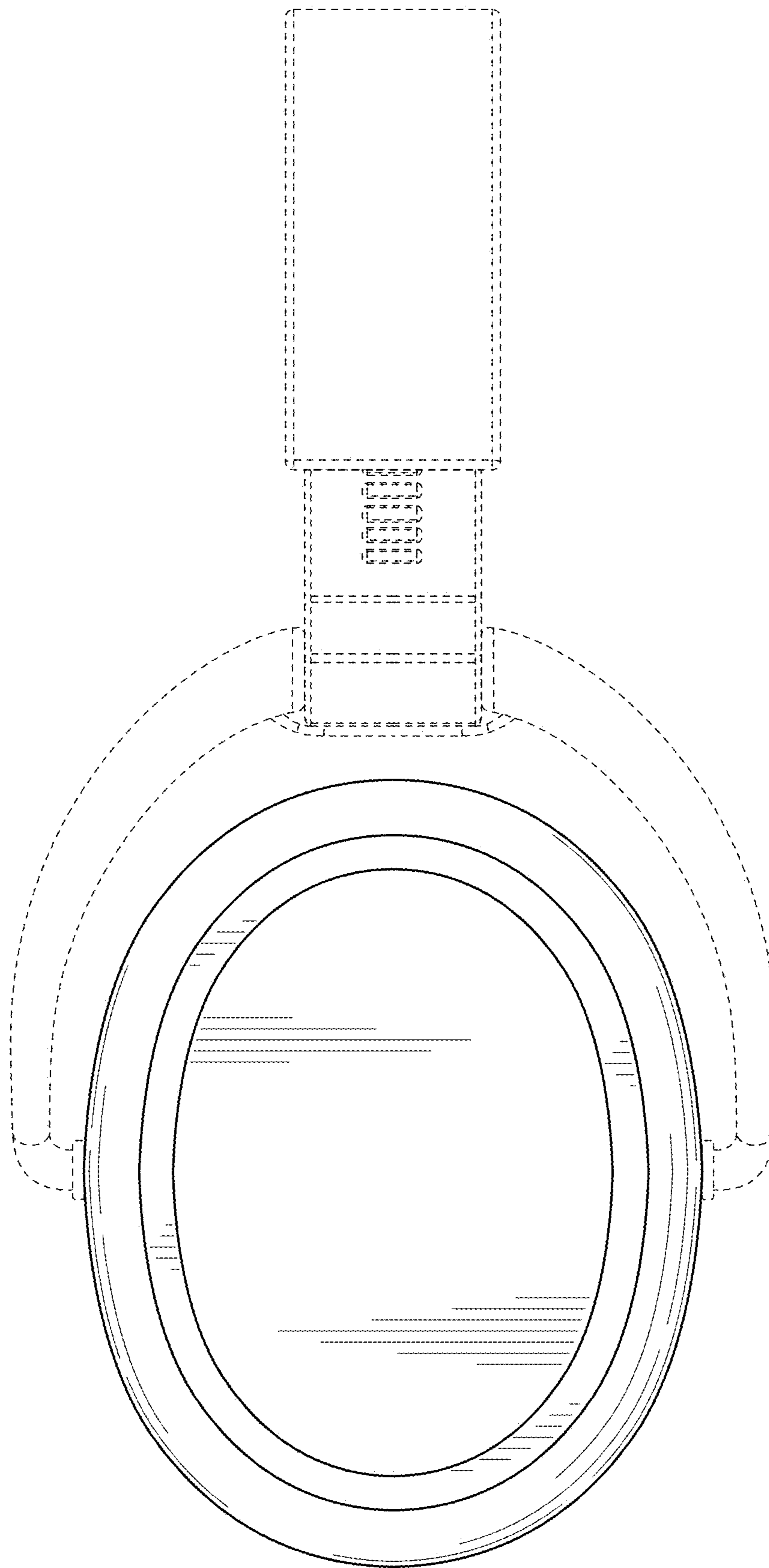


FIG. 7

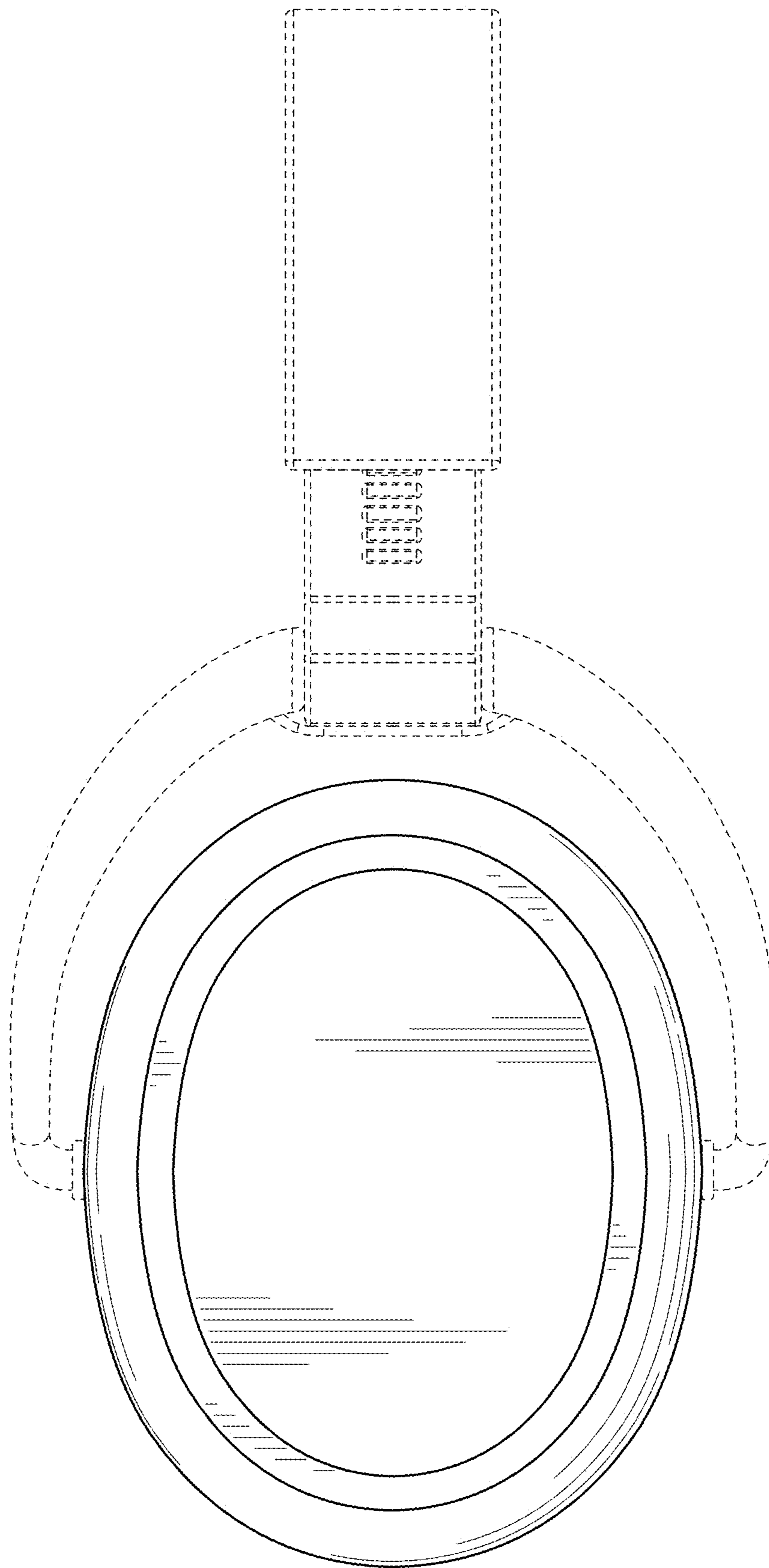


FIG. 8

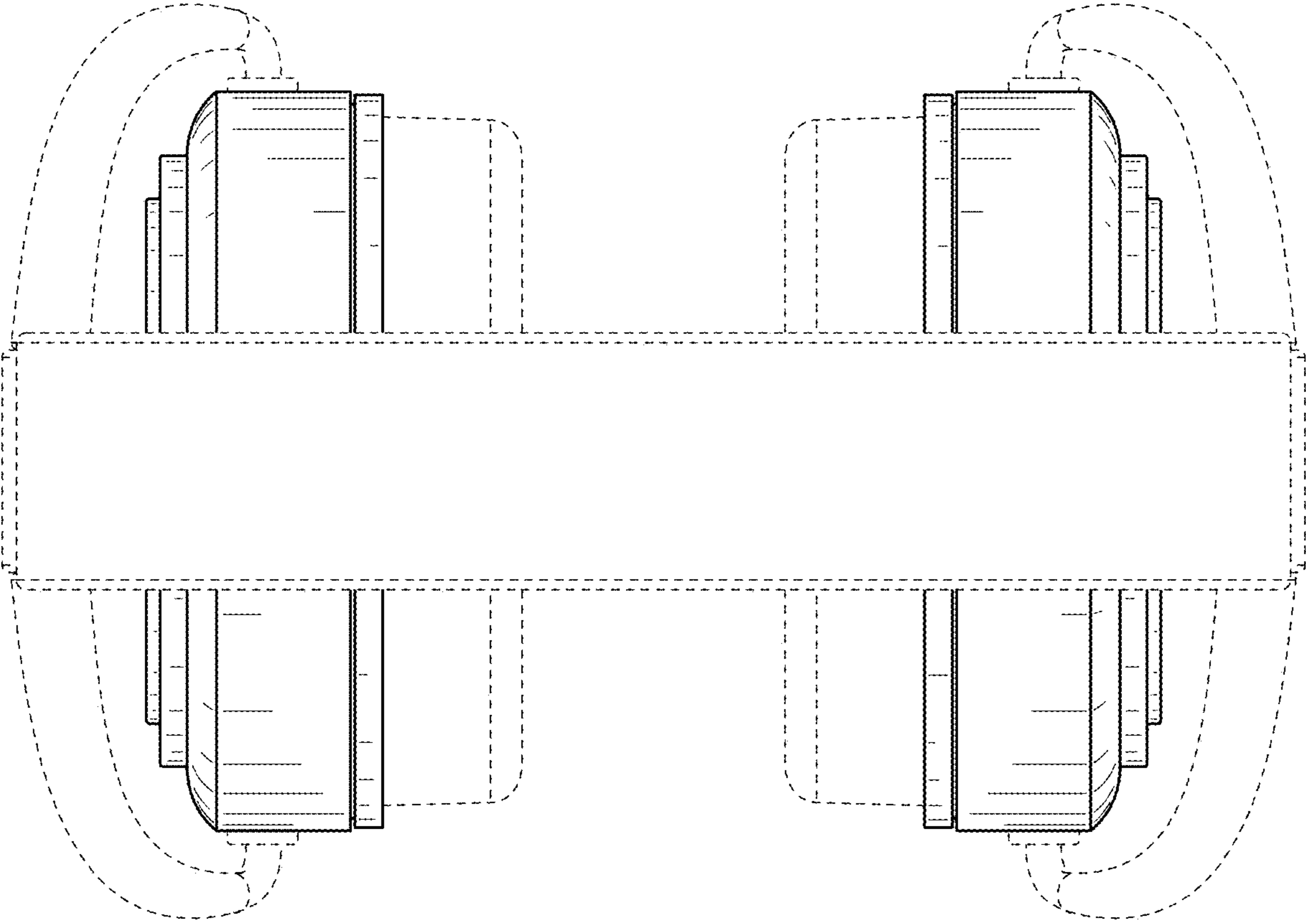


FIG. 9

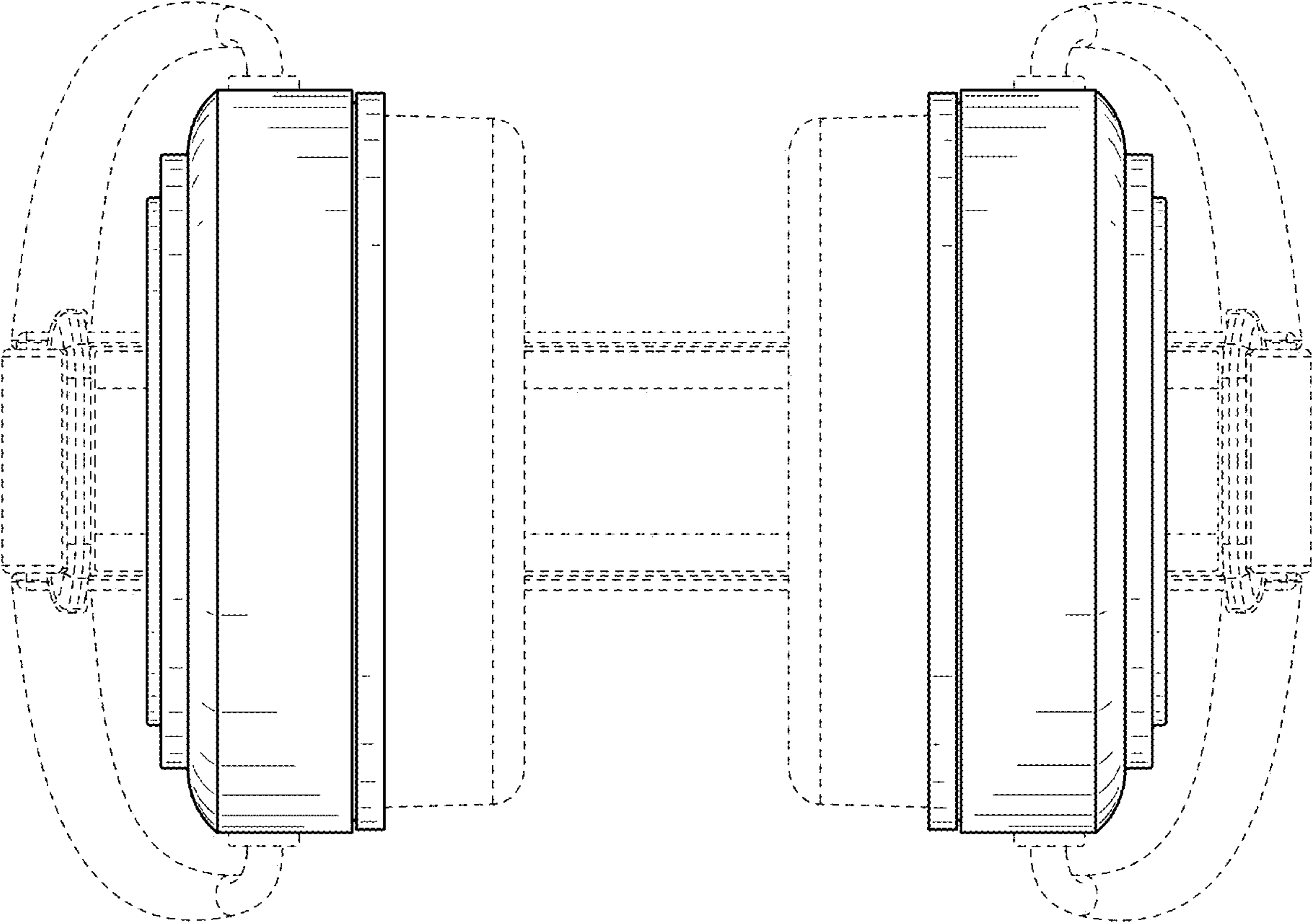


FIG. 10