



US00D960122S

(12) **United States Design Patent** (10) **Patent No.:** **US D960,122 S**
Lu et al. (45) **Date of Patent:** **** *Aug. 9, 2022**

(54) **COMBINED WIRELESS SPEAKER AND RANGE EXTENDER DEVICE**

(71) Applicant: **Amazon Technologies, Inc.**, Seattle, WA (US)

(72) Inventors: **Wen-Yo Lu**, Pasadena, CA (US); **Matthew J. England**, Santa Monica, CA (US)

(73) Assignee: **Amazon Technologies, Inc.**, Seattle, WA (US)

(*) Notice: This patent is subject to a terminal disclaimer.

(**) Term: **15 Years**

(21) Appl. No.: **29/718,169**

(22) Filed: **Dec. 20, 2019**

(51) **LOC (13) Cl.** **14-01**

(52) **U.S. Cl.**
USPC **D14/172; D14/204**

(58) **Field of Classification Search**
USPC D14/155–159, 160–173, 187–188, D14/203.1–203.8, 204–216, 217–222, D14/225–229, 356–358, 361, 362, 365, D14/367, 370, 388, 496; D13/103, D13/107–108
CPC H04R 1/02; H04R 1/021; H04R 1/025; H04R 1/026; H04R 1/028; H04R 1/06; H04R 1/105; H04R 1/323; H04R 1/403; H04R 1/2803; H04R 1/2834
See application file for complete search history.

(56) **References Cited**

U.S. PATENT DOCUMENTS

D521,447 S * 5/2006 Ono D13/103
D537,070 S * 2/2007 Warden D14/214
(Continued)

FOREIGN PATENT DOCUMENTS

CN 306367931 * 3/2021
CN 306422050 * 3/2021

(Continued)

OTHER PUBLICATIONS

Amazon and Apple Built . . . , May 7, 2021, [retrieved Jun. 1, 2021], Retrieved from Internet, URL: <<https://www.wsj.com/articles/amazon-apple-wireless-networks-sidewalk-find-my-11620397704>> (Year: 2021).*

(Continued)

Primary Examiner — Barbara Fox
Assistant Examiner — Aram Kwon
(74) *Attorney, Agent, or Firm* — Lee & Hayes, P.C.

(57) **CLAIM**

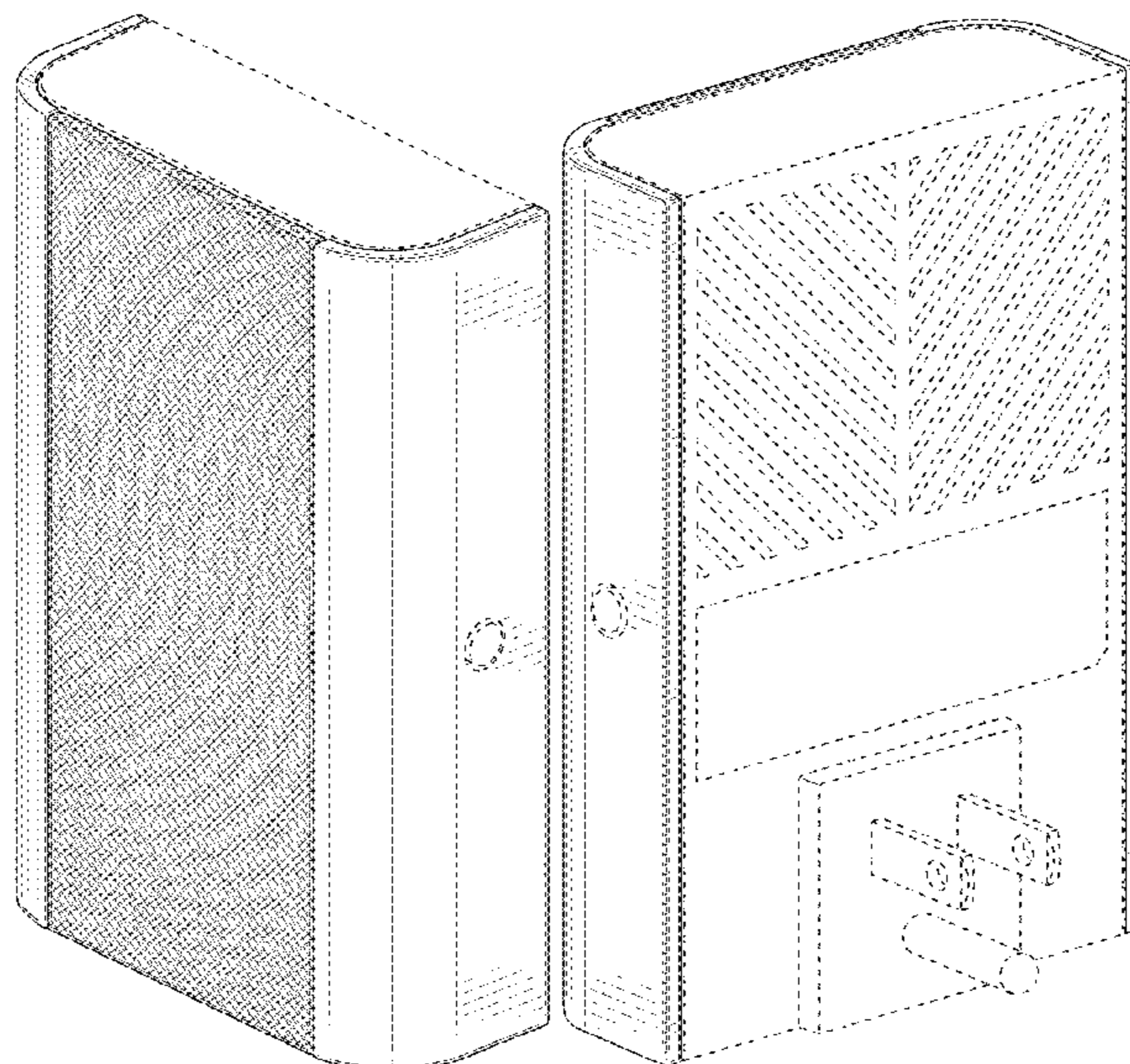
The ornamental design for a combined wireless speaker and range extender device, as shown and described.

DESCRIPTION

FIG. 1 is a top, front, right-side perspective view of a combined wireless speaker and range extender device; FIG. 2 is a bottom, front, left-side perspective view thereof; FIG. 3 is a top, back, right-side perspective view thereof; FIG. 4 is a front view thereof; FIG. 5 is a back view thereof; FIG. 6 is a left-side view thereof; FIG. 7 is a right-side view thereof; FIG. 8 is a top view thereof; and, FIG. 9 is a bottom view thereof.

The dashed broken lines depict portions of the combined wireless speaker and range extender device that form no part of the claimed design. The crosshatched pattern is a mesh fabric and is understood to be distributed uniformly over the surface of the claimed design upon which the pattern occurs.

1 Claim, 9 Drawing Sheets



(56)

References Cited

U.S. PATENT DOCUMENTS

D548,724	S	*	8/2007	Hakoda	D14/211
D548,725	S	*	8/2007	Hakoda	D14/214
D554,618	S	*	11/2007	Sogabe	D14/214
D565,541	S	*	4/2008	Han	D14/211
D565,544	S	*	4/2008	Han	D14/214
D634,269	S	*	3/2011	Griffin, Jr.	D13/108
D695,717	S	*	12/2013	Carpenter	D14/221
D728,477	S	*	5/2015	Meyer	D13/123
D737,758	S	*	9/2015	Takeshita	D13/103
10,304,296	B2	*	5/2019	Tso	H03K 17/962
D860,176	S	*	9/2019	Siminoff	D14/240
D866,381	S	*	11/2019	Siminoff	D10/120
10,499,011	B2	*	12/2019	Siminoff	H04M 11/025
D901,471	S	*	11/2020	Siminoff	D14/240
D902,925	S	*	11/2020	Li	D14/358
D924,135	S	*	7/2021	England	D13/110
D933,039	S	*	10/2021	Johnson	D14/204
D937,277	S	*	11/2021	Recker	D14/443

FOREIGN PATENT DOCUMENTS

JP	2020011399	A	1/2020
JP	2020011400	A	1/2020
JP	2020011401	A	1/2020
JP	2020011402	A	1/2020
JP	2020011403	A	1/2020
JP	2020011537	A	1/2020
JP	2020011538	A	1/2020
JP	2020011539	A	1/2020
JP	2020011540	A	1/2020
JP	2020011541	A	1/2020
JP	D1680869	*	3/2021
JP	D1680870	*	3/2021
JP	D1680917	*	3/2021
JP	D1680918	*	3/2021

OTHER PUBLICATIONS

Amazon's Echo Flex . . . , Dec. 9, 2019, [retrieved Jun. 1, 2021], Retrieved from Internet URL; <<https://www.theverge.com/2019/12/>

9/21001146/amazon-echo-flex-alexa-smart-speaker-review-price-specs-features> (Year: 2019).*

The Chinese Office Action dated on Sep. 10, 2020 for Chinese Patent Application No. 202030306294.7, a counterpart of the U.S. Appl. No. 29/718,163, 1 page.

The Japanese Office Action dated Aug. 25, 2020 for Japanese Design Application No. 2020-011537, a counterpart foreign application of the Design U.S. Appl. No. 29/718,163, 2 pages.

The Japanese Office Action dated Aug. 25, 2020 for Japanese Design Application No. 2020-011538, a counterpart foreign application of the Design U.S. Appl. No. 29/718,163, 2 pages.

The Japanese Office Action dated Aug. 25, 2020 for Japanese Design Application No. 2020-011539, a counterpart foreign application of the Design U.S. Appl. No. 29/718,163, 2 pages.

The Japanese Office Action dated Aug. 25, 2020 for Japanese Design Application No. 2020-011540, a counterpart foreign application of the Design U.S. Appl. No. 29/718,163, 2 pages.

The Japanese Office Action dated Aug. 25, 2020 for Japanese Design Application No. 2020-011541, a counterpart foreign application of the Design U.S. Appl. No. 29/718,163, 2 pages.

The Japanese Office Action dated Aug. 25, 2020 for Japanese Design Application No. 2020-011399, a counterpart foreign application of the Design U.S. Appl. No. 29/718,169, 2 pages.

The Japanese Office Action dated Aug. 25, 2020 for Japanese Design Application No. 2020-011400, a counterpart foreign application of the Design U.S. Appl. No. 29/718,169, 2 pages.

The Japanese Office Action dated Aug. 25, 2020 for Japanese Design Application No. 2020-011401, a counterpart foreign application of the Design U.S. Appl. No. 29/718,169, 2 pages.

The Japanese Office Action dated Aug. 25, 2020 for Japanese Design Application No. 2020-011402, a counterpart foreign application of the Design U.S. Appl. No. 29/718,169, 2 pages.

The Japanese Office Action dated Aug. 25, 2020 for Japanese Design Application No. 2020-011403, a counterpart foreign application of the Design U.S. Appl. No. 29/718,169, 2 pages.

The Chinese Office Action dated Sep. 10, 2020 for Chinese Patent Application No. 202030306294.7, a counterpart of the U.S. Appl. No. 29/718,163, 1 page.

Office Action for U.S. Appl. No. 29/718,163, dated Jun. 24, 2021, Lu, "Wireless Speaker", 8 pages.

* cited by examiner

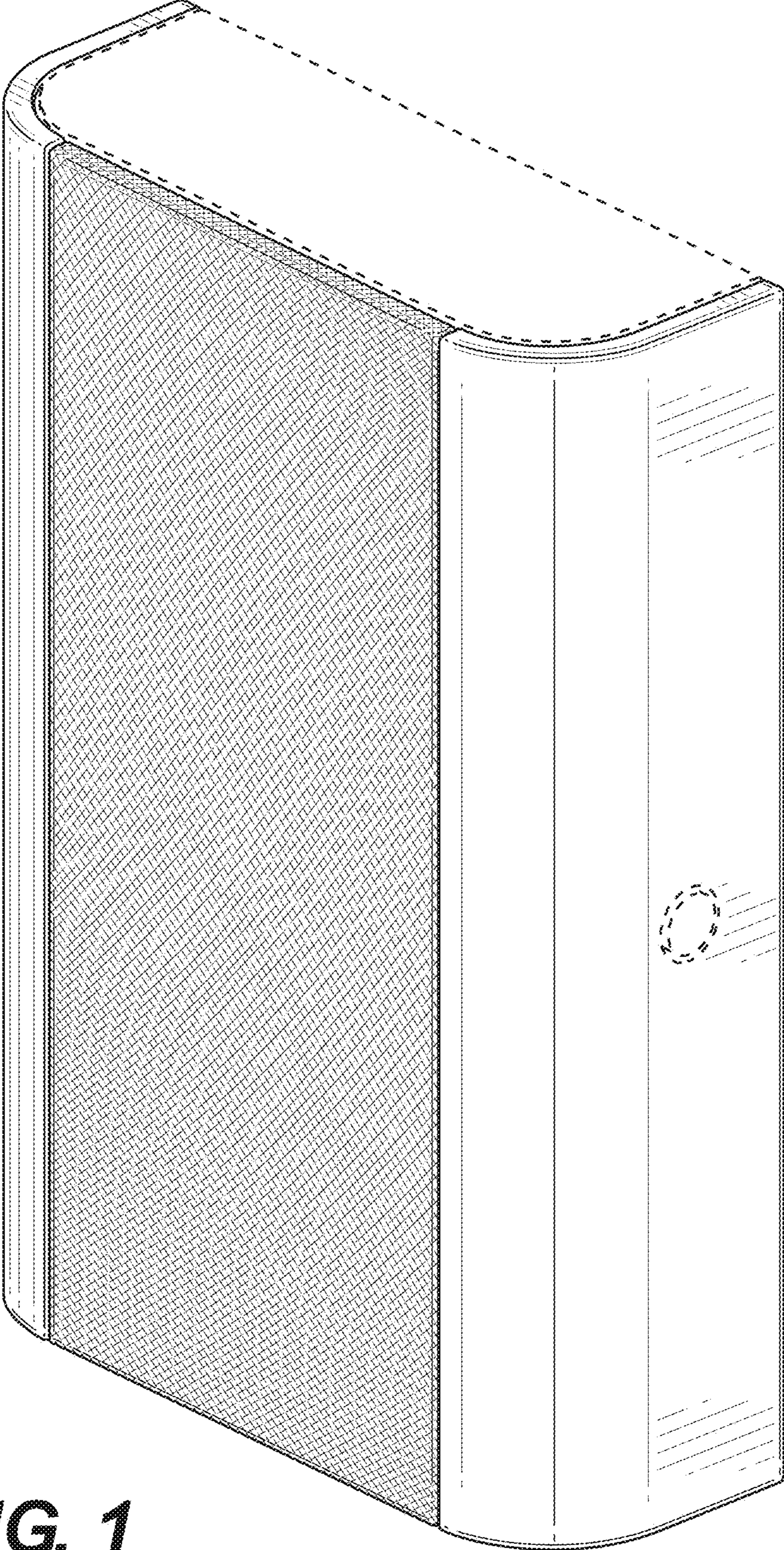


FIG. 1

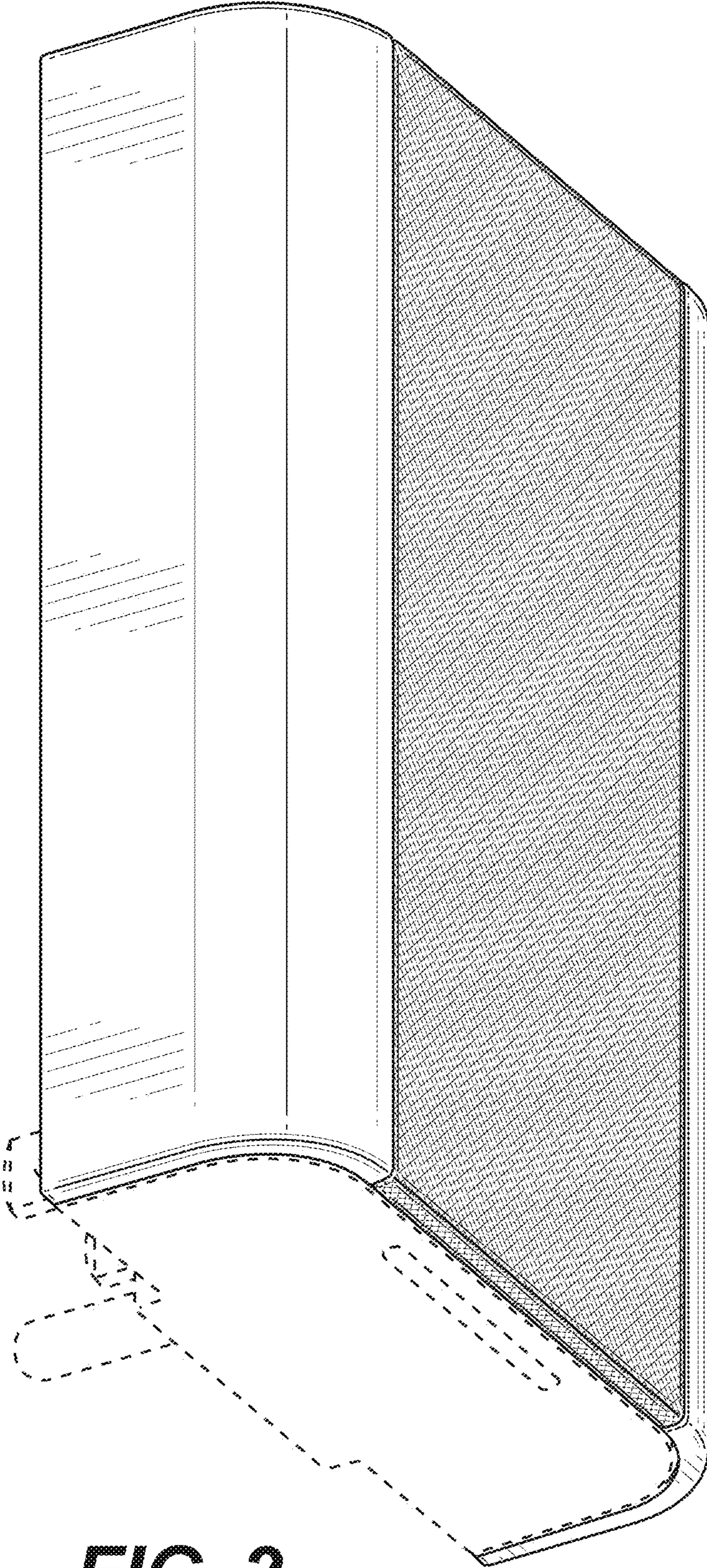


FIG. 2

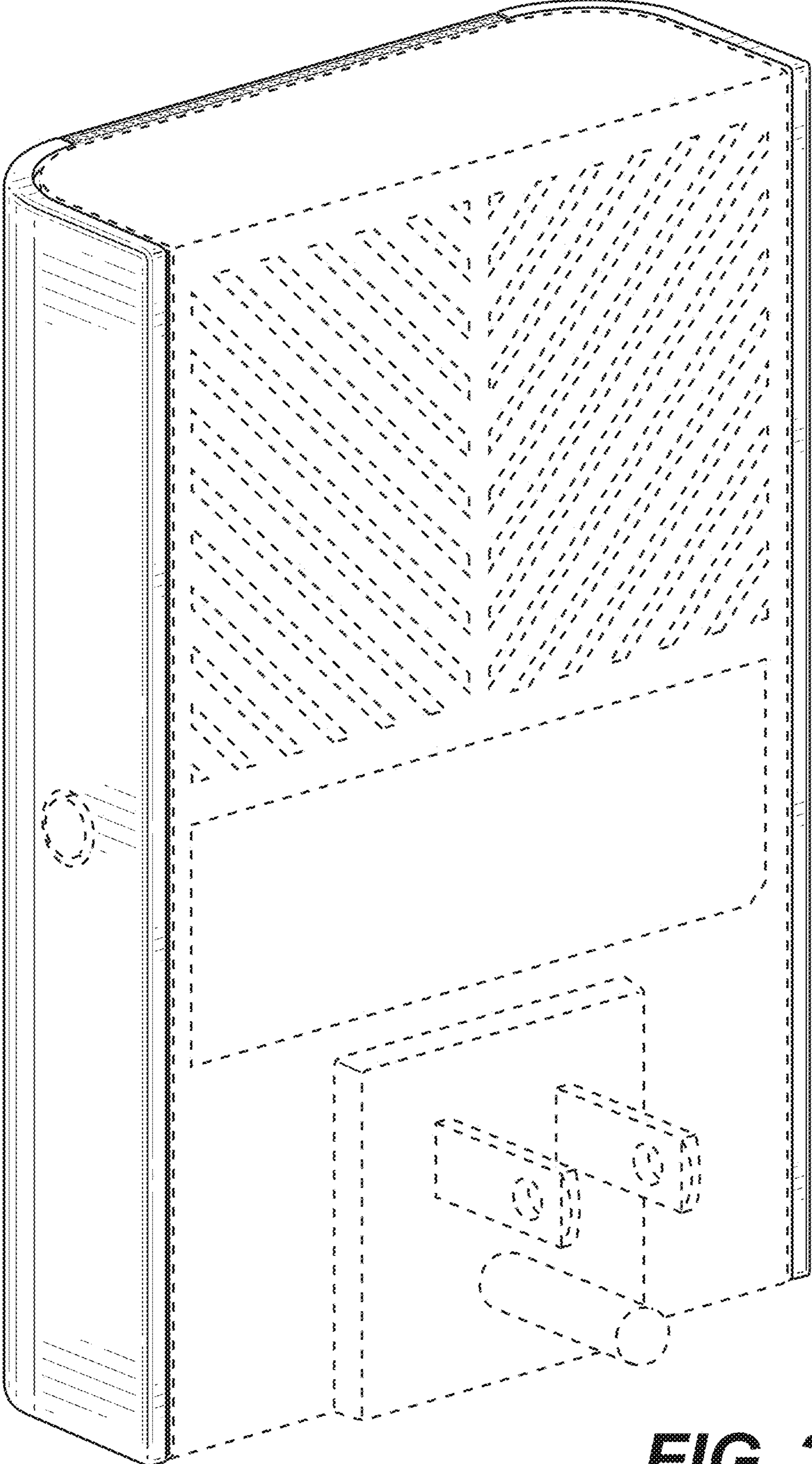


FIG. 3

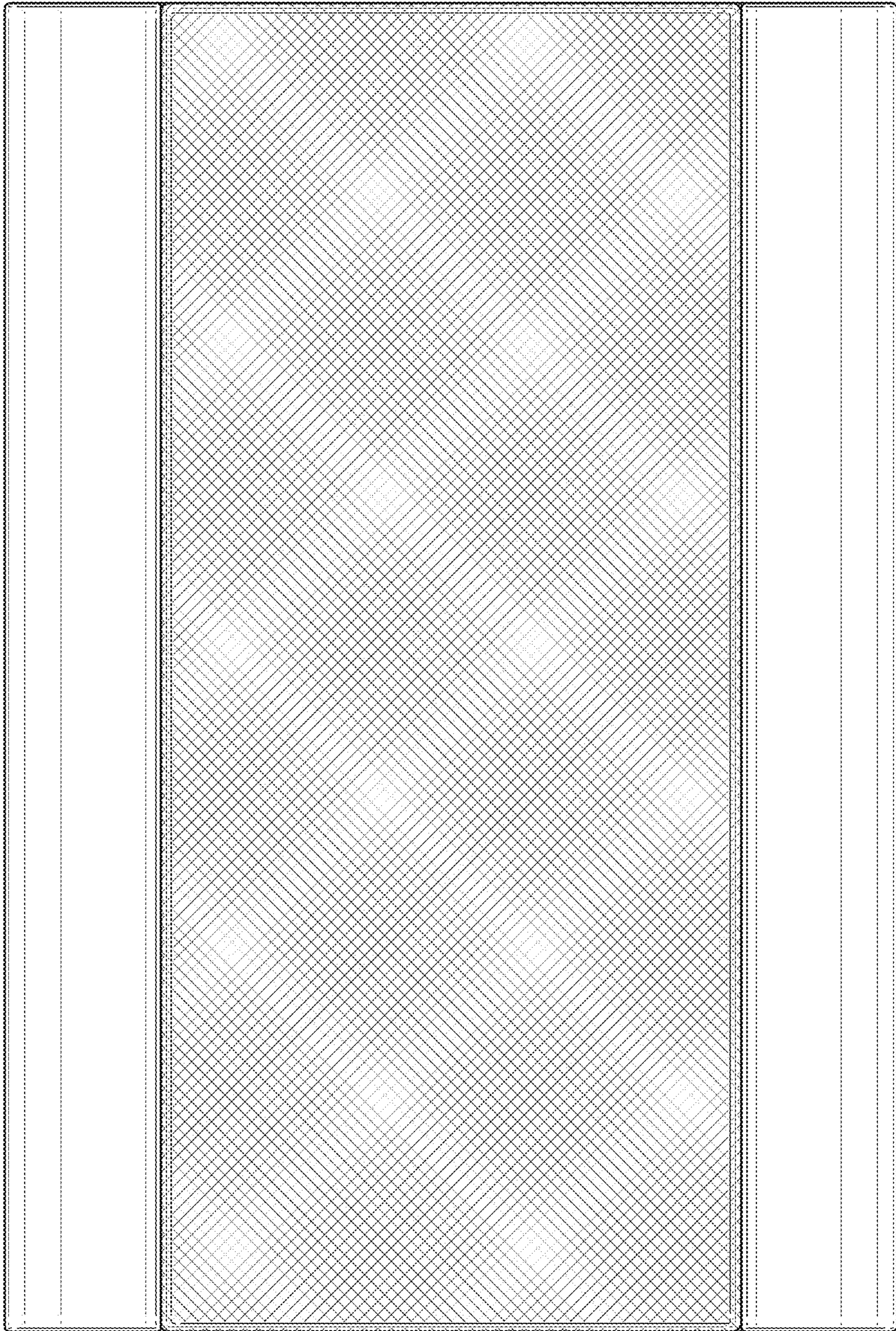


FIG. 4

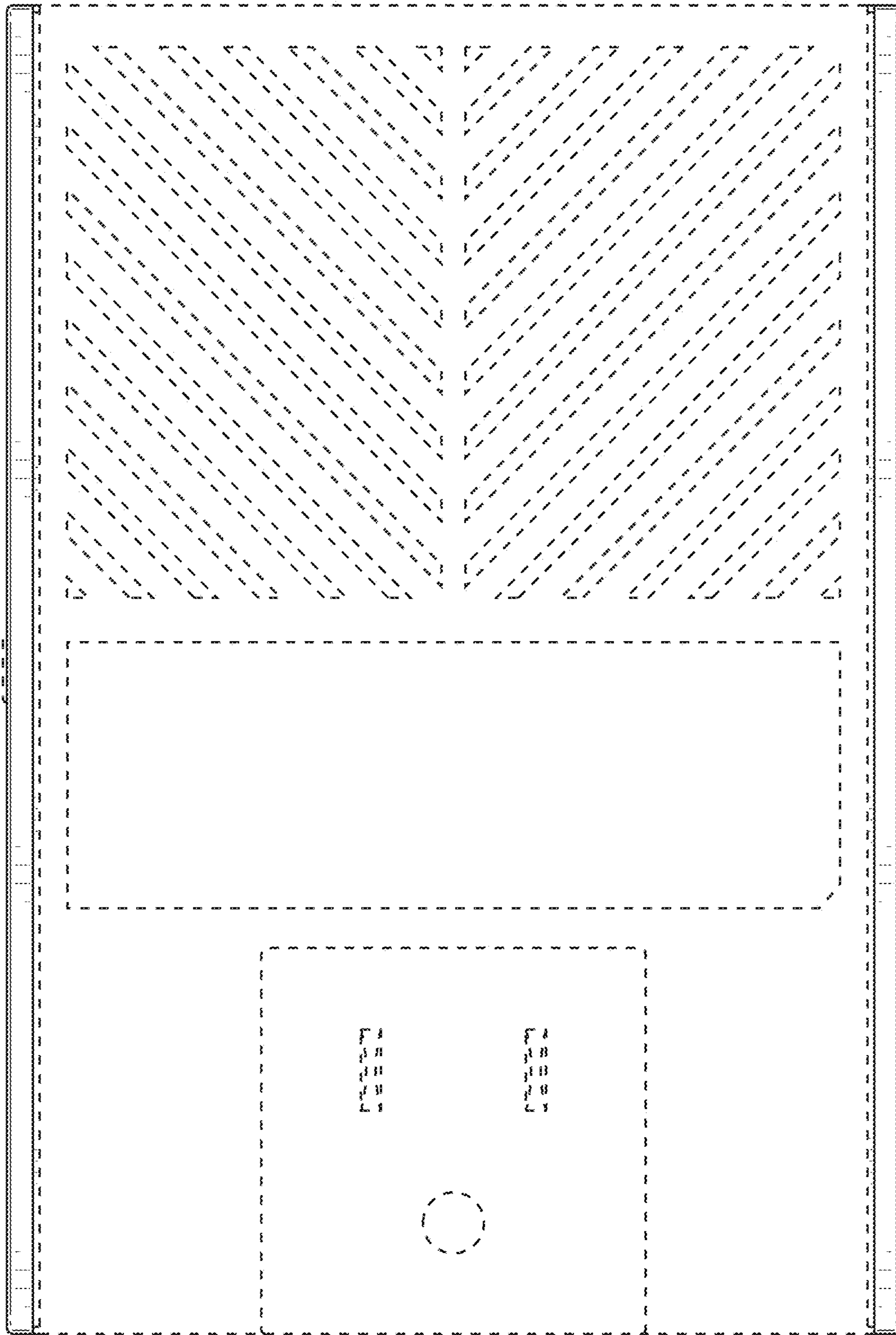


FIG. 5

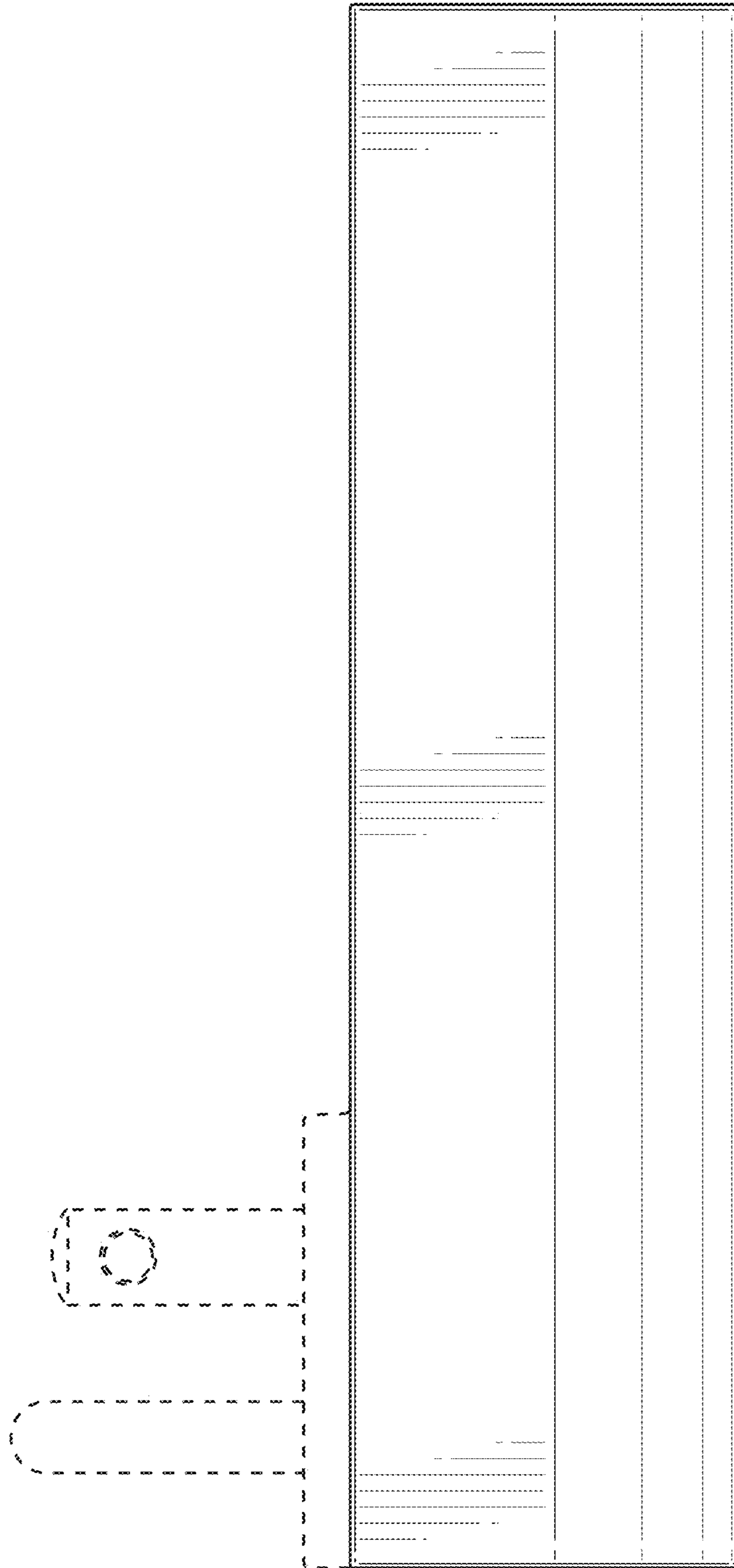


FIG. 6

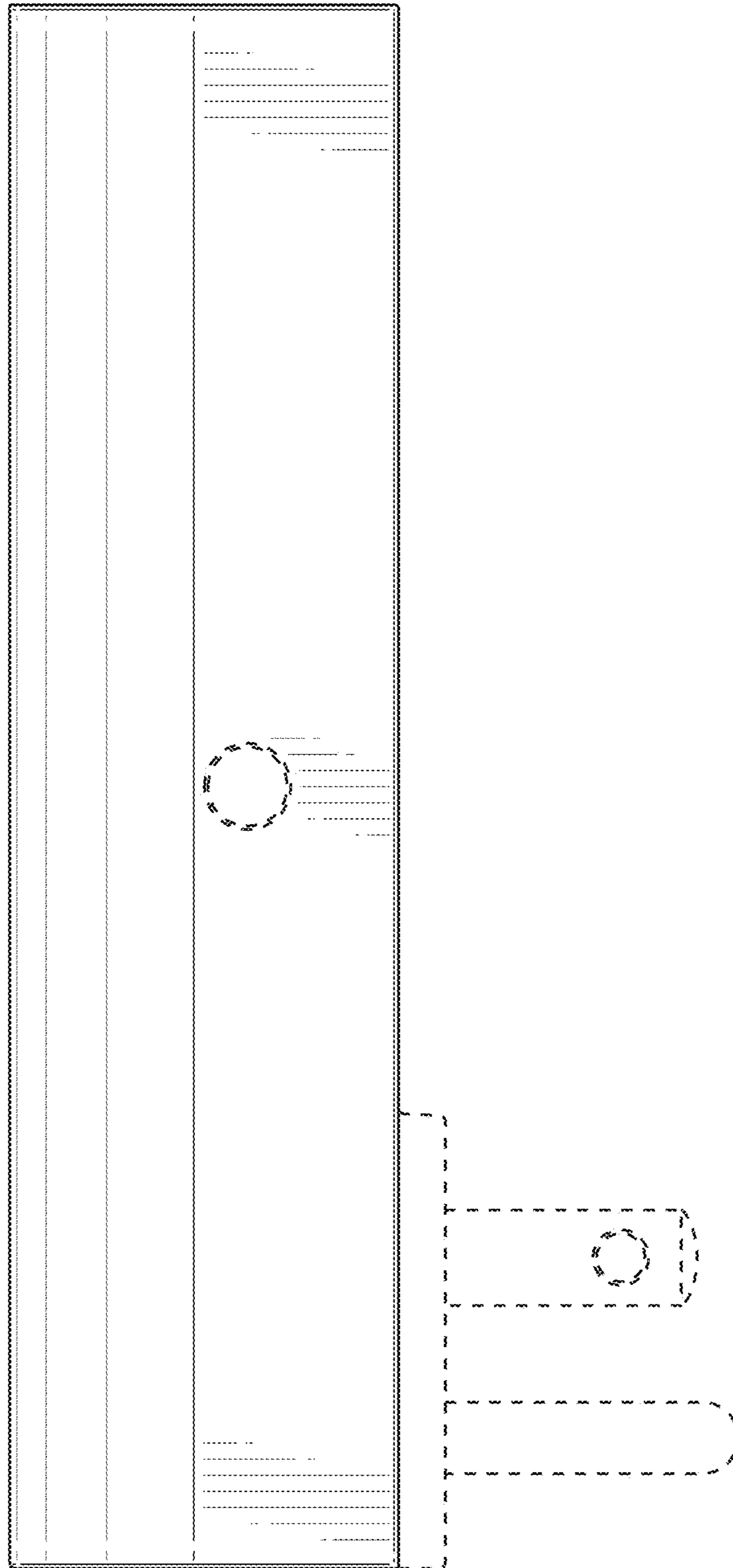


FIG. 7

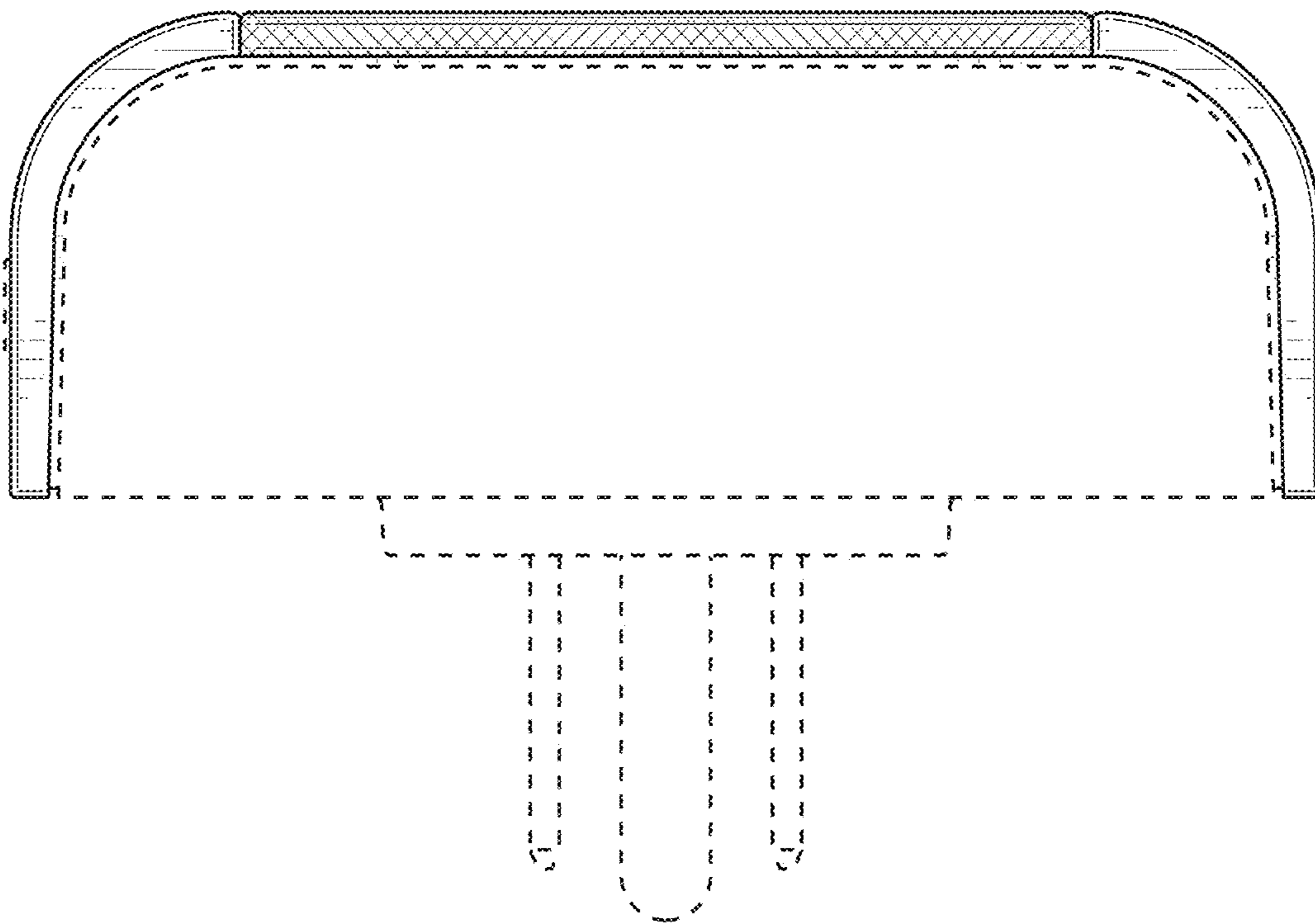


FIG. 8

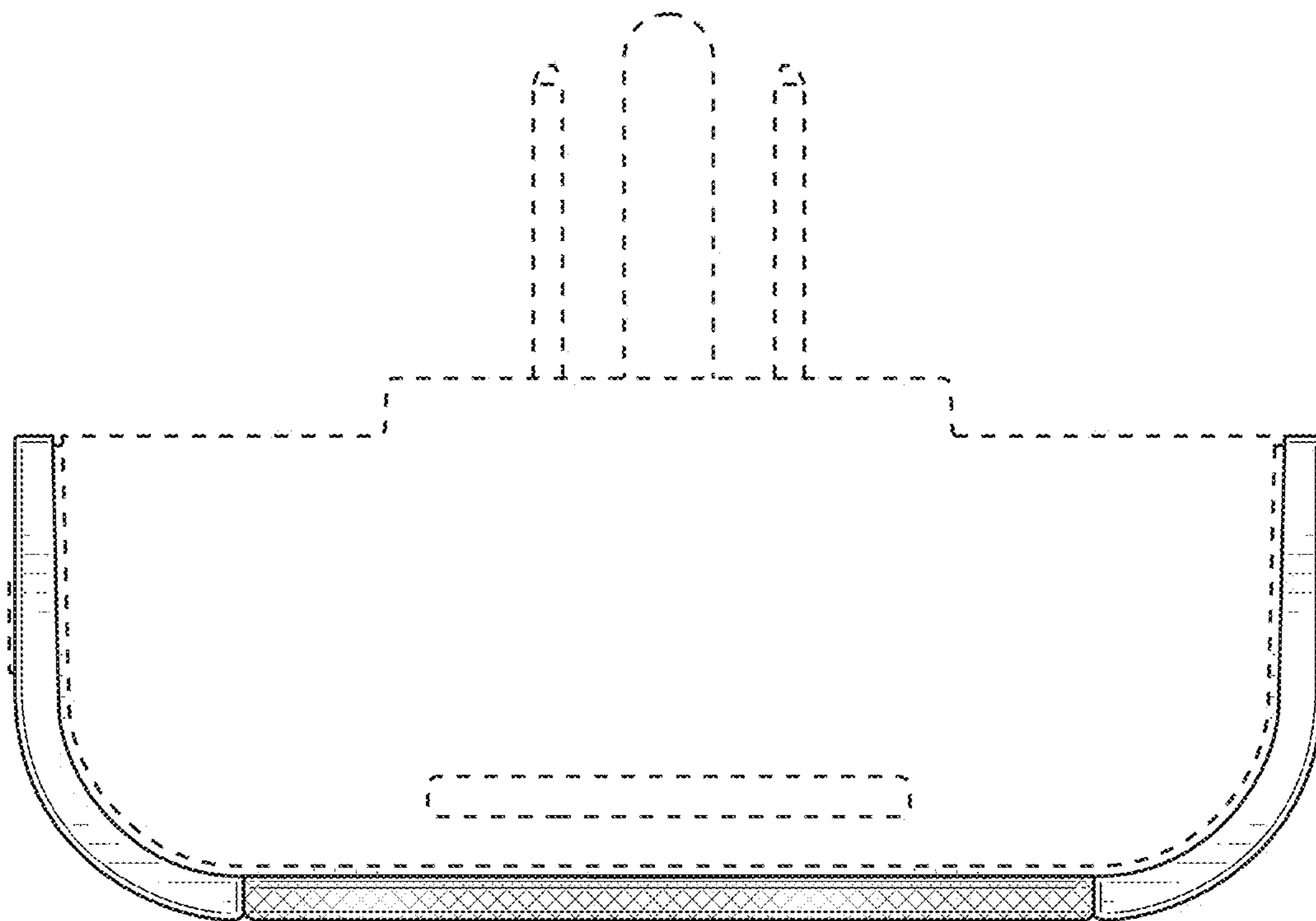


FIG. 9