



US00D960119S

(12) **United States Design Patent**
Yang et al.

(10) **Patent No.:** **US D960,119 S**
(45) **Date of Patent:** **** Aug. 9, 2022**

(54) **TELEVISION**

(71) Applicant: **Shenzhen Chuangwei-RGB Electronics Co., Ltd**, Shenzhen (CN)

(72) Inventors: **Kunxiang Yang**, Shenzhen (CN); **Xiangcheng Liu**, Shenzhen (CN); **Yi Liu**, Shenzhen (CN)

(73) Assignee: **Shenzhen Chuangwei-RGB Electronics Co., Ltd**, Shenzhen (CN)

(**) Term: **15 Years**

(21) Appl. No.: **29/721,780**

(22) Filed: **Jan. 23, 2020**

(30) **Foreign Application Priority Data**

Aug. 28, 2019 (CN) 201930470696.8

(51) **LOC (13) Cl.** **14-03**

(52) **U.S. Cl.**
USPC **D14/126**

(58) **Field of Classification Search**
USPC D14/125–138, 138 AD, 138 G, 138 R, D14/204, 239, 248, 314–316, 322, 326, D14/334–336, 339, 340, 345, 341, 371, D14/373–377, 448–450; D20/42, 43; D21/324, 329, 332, 515; D6/300, 308, D6/310, 314, 320, 332, 553, 642–643, D6/650.1, 653.15, 654.15, 657, 661, 675; D16/229, 235, 241
CPC A47G 1/1686; B66D 3/18; G03B 21/58; G03B 21/56; G03B 21/60; G09F 15/0025; G09F 7/18; G09F 9/301; G09G 3/3225; G06F 1/16; G06F 1/1601; G06F 1/1637; G06F 1/1605; G06F 1/162; G06F 1/1652; G06F 1/69; G06F 1/1615; H05K 5/0204; H05K 5/0017; H05K 5/0217; H04N 5/64; H04N 5/232411; H04M 1/0266; H04R 5/02

See application file for complete search history.

(56) **References Cited**

U.S. PATENT DOCUMENTS

5,529,274 A * 6/1996 Anderson B66D 3/18
248/329
6,119,999 A * 9/2000 Fleishman A47G 1/1686
248/340
6,634,610 B1 * 10/2003 Ricci G09F 7/18
242/378
D607,916 S * 1/2010 Orion D16/241
(Continued)

Primary Examiner — Barbara Fox

Assistant Examiner — Aram Kwon

(74) *Attorney, Agent, or Firm* — Banner & Witcoff, Ltd.

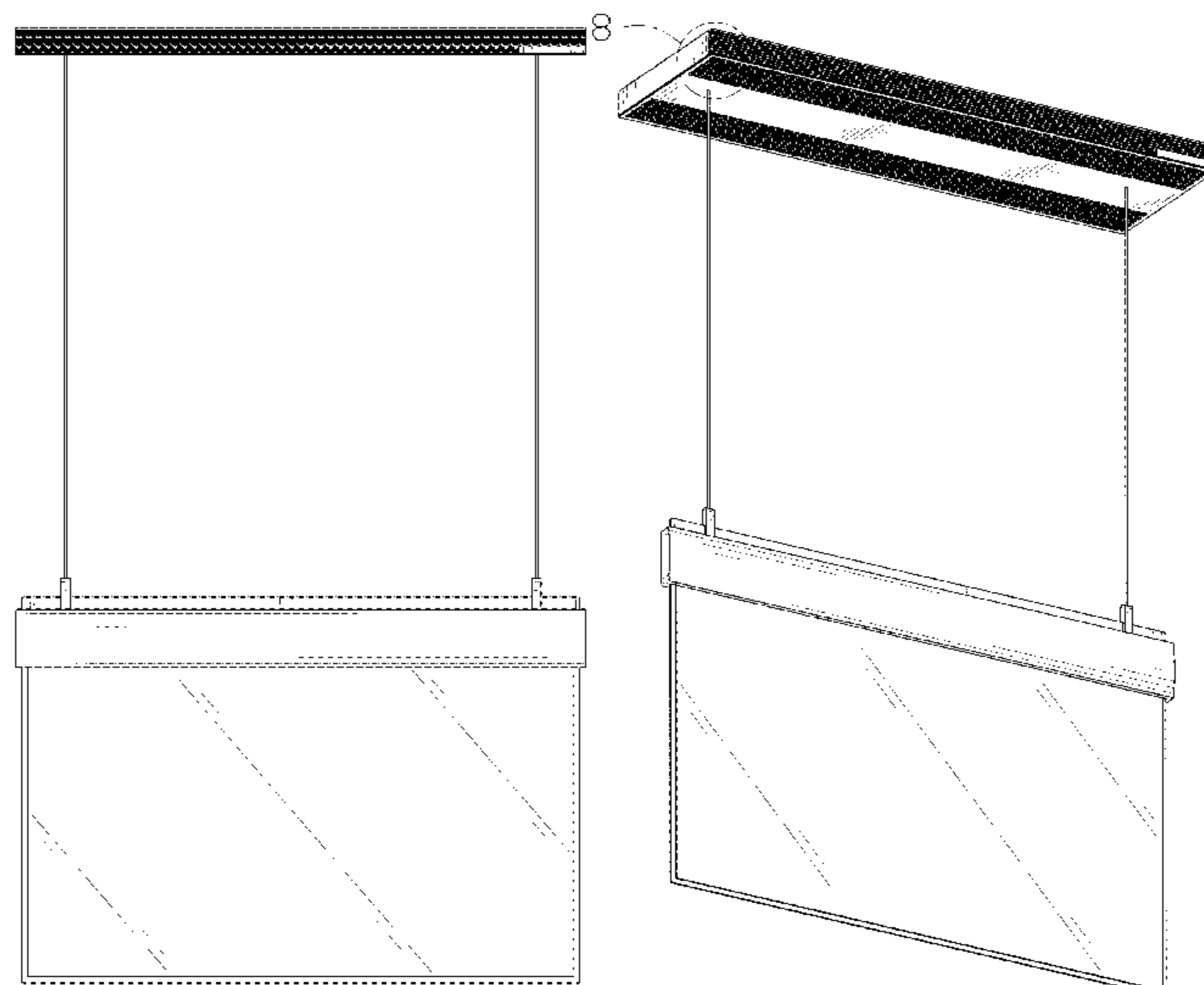
(57) **CLAIM**

The ornamental design for a television, as shown and described.

DESCRIPTION

FIG. 1 is a front elevational view of a television;
FIG. 2 is a rear elevational view thereof;
FIG. 3 is a left side elevational view thereof;
FIG. 4 is a right side elevational view thereof;
FIG. 5 is a top plan view thereof;
FIG. 6 is a bottom plan view thereof;
FIG. 7 is a bottom, front and left side perspective view front thereof;
FIG. 8 is an enlarged view of portion 8 shown in FIG. 7;
FIG. 9 is an enlarged view of portion 9 shown in FIG. 5;
FIG. 10 is an enlarged view of portion 10 shown in FIG. 6; and,
FIG. 11 is an enlarged view of portion 11 in FIG. 5.
The broken lines depict portions of the television in which the design is embodied that form no part of the claimed design. The dot-dash broken lines encircling an enlargement portion of the design form no part of the claimed design.

1 Claim, 11 Drawing Sheets



(56)

References Cited

U.S. PATENT DOCUMENTS

D622,322 S *	8/2010	Hussain	D20/42
D624,082 S *	9/2010	Liu	D14/449
D765,048 S *	8/2016	Kim	D14/126
D807,847 S *	1/2018	Ahn	D14/126
D852,276 S *	6/2019	Lim	D20/43
D916,041 S *	4/2021	Wang	D14/126
2004/0250458 A1 *	12/2004	Kim	G09F 15/0025 40/617
2005/0185273 A1 *	8/2005	Lee	G03B 21/56 359/461
2008/0002254 A1 *	1/2008	Congard	G03B 21/58 359/450

* cited by examiner

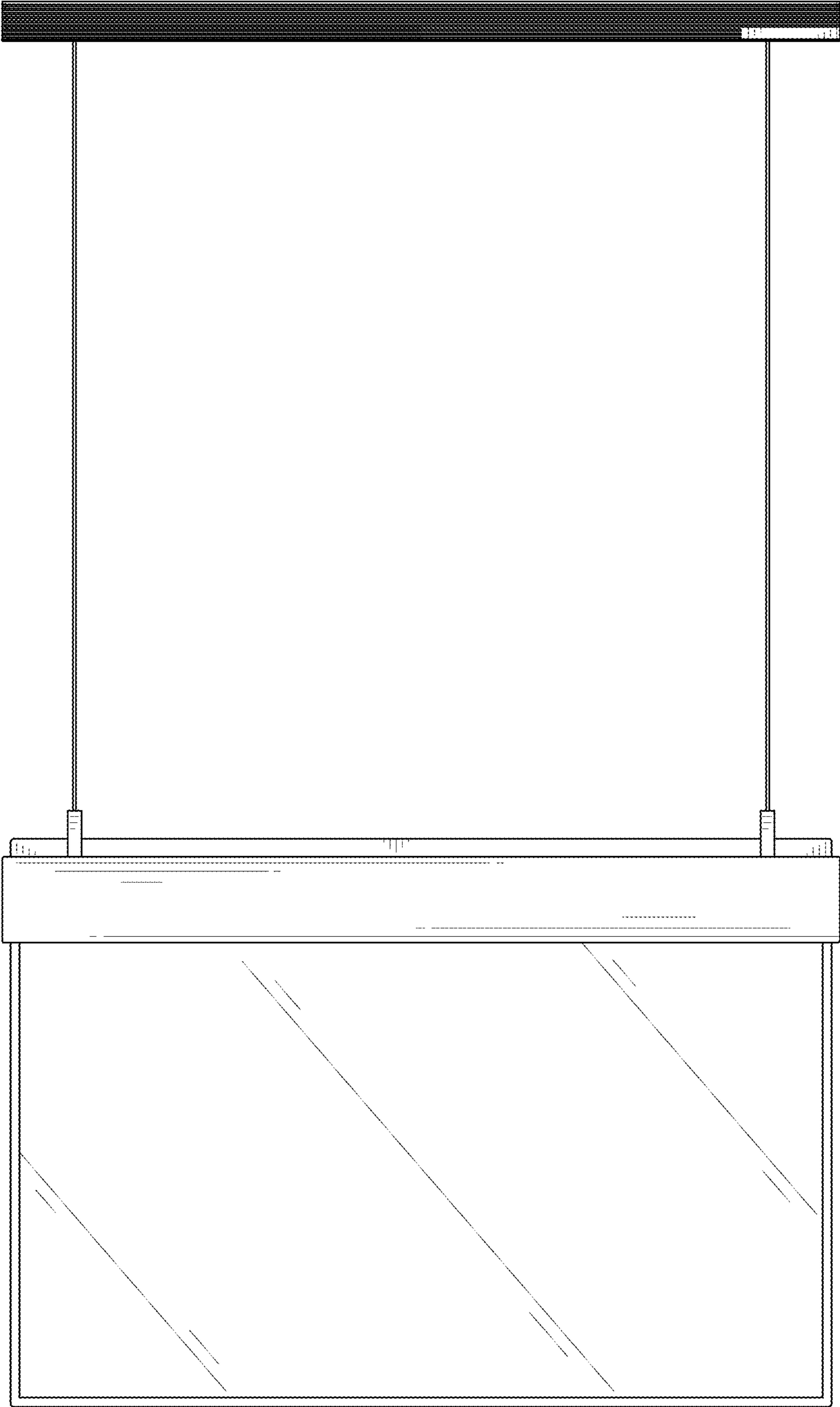


FIG. 1

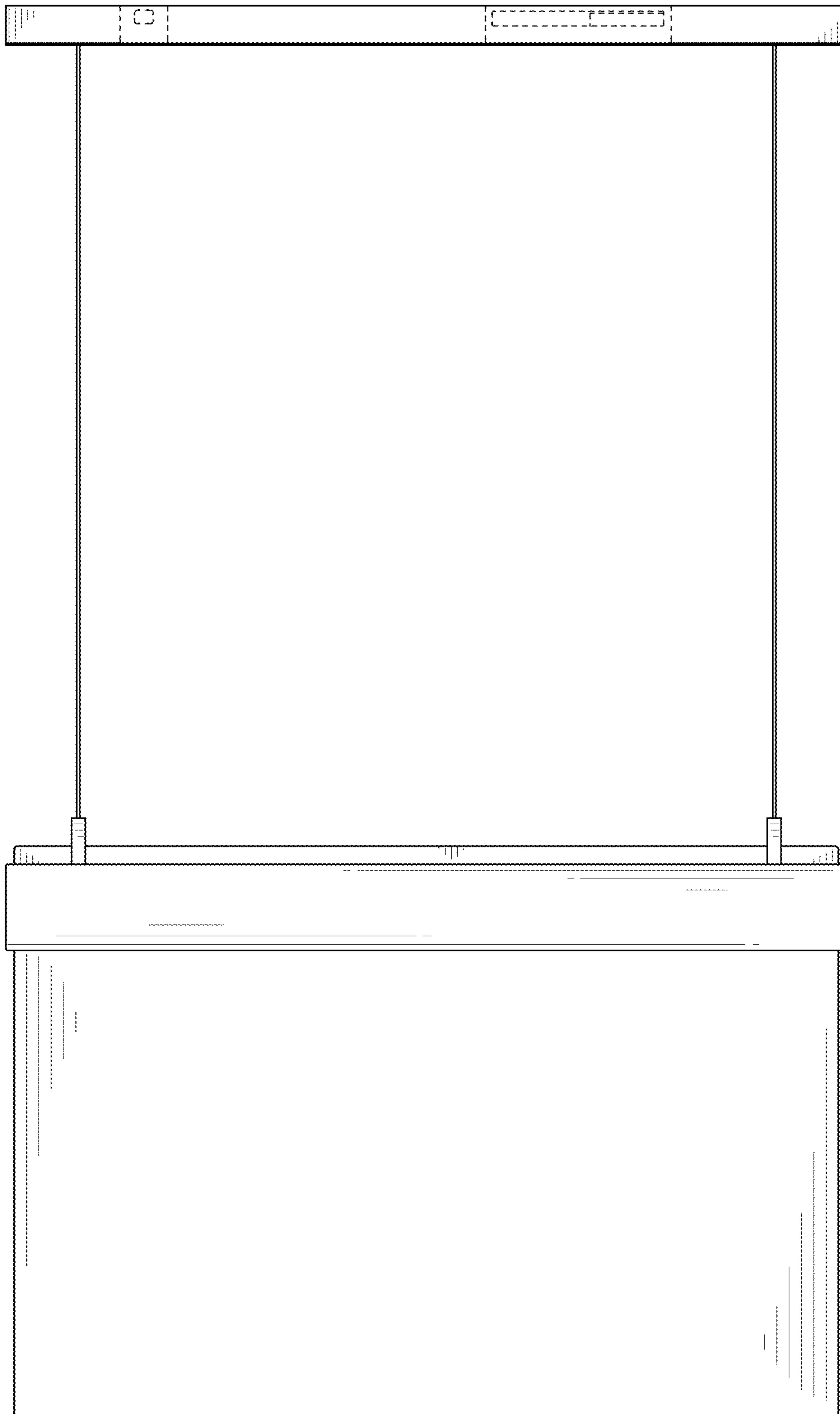


FIG. 2

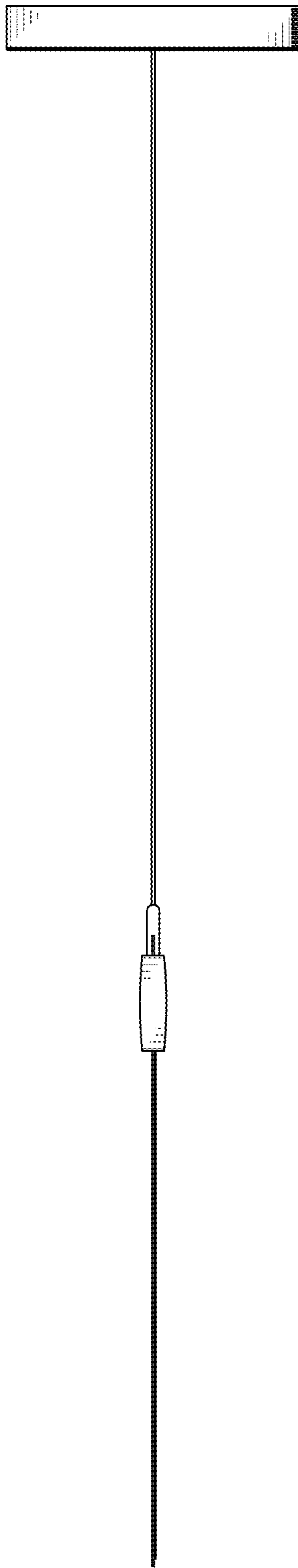


FIG. 3

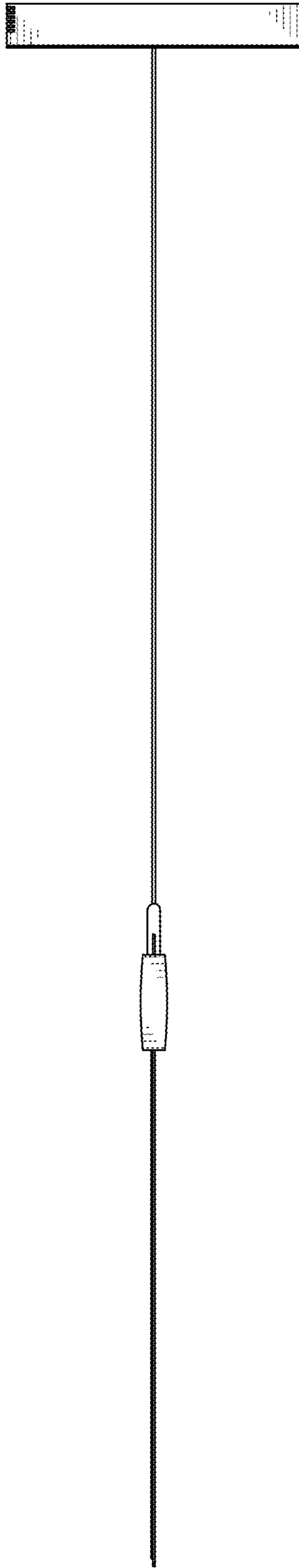


FIG. 4

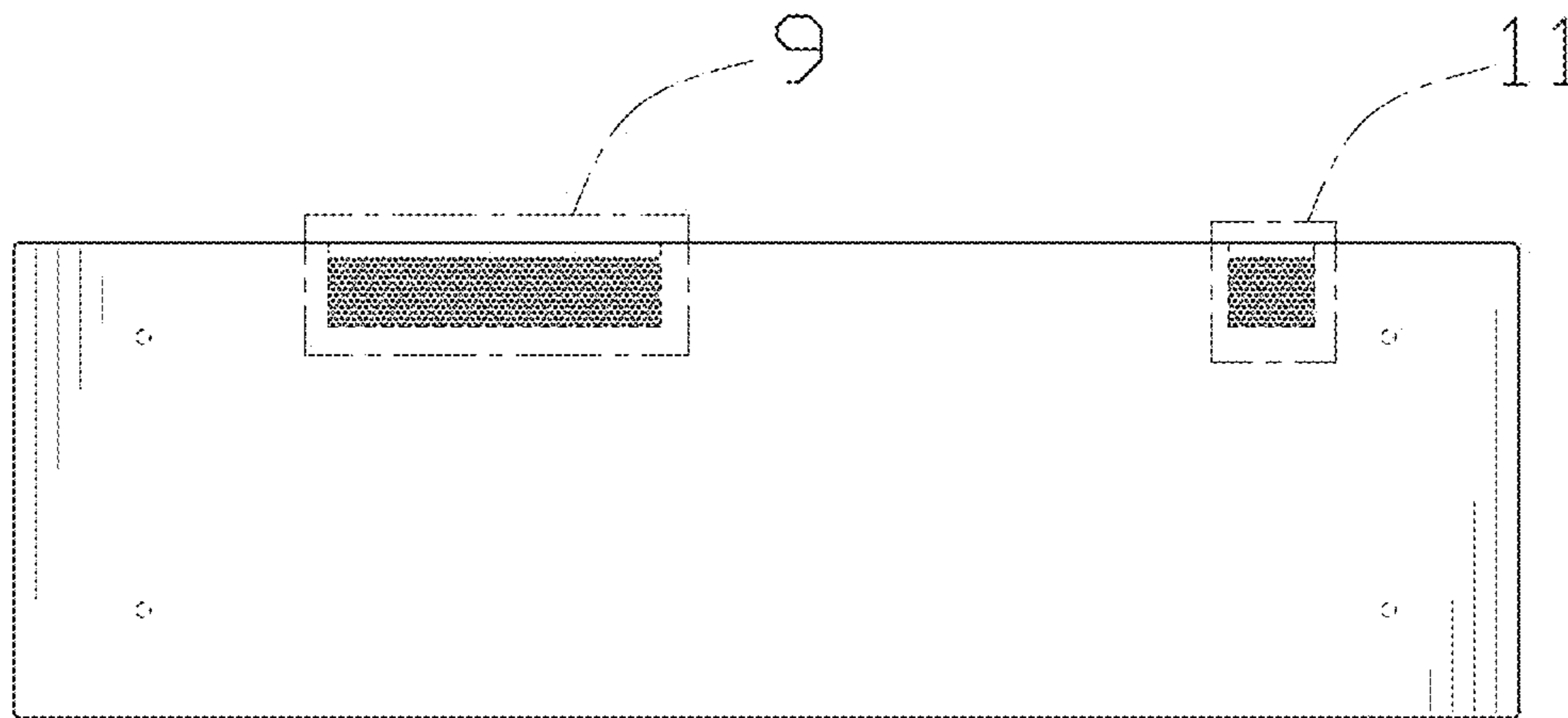


FIG. 5

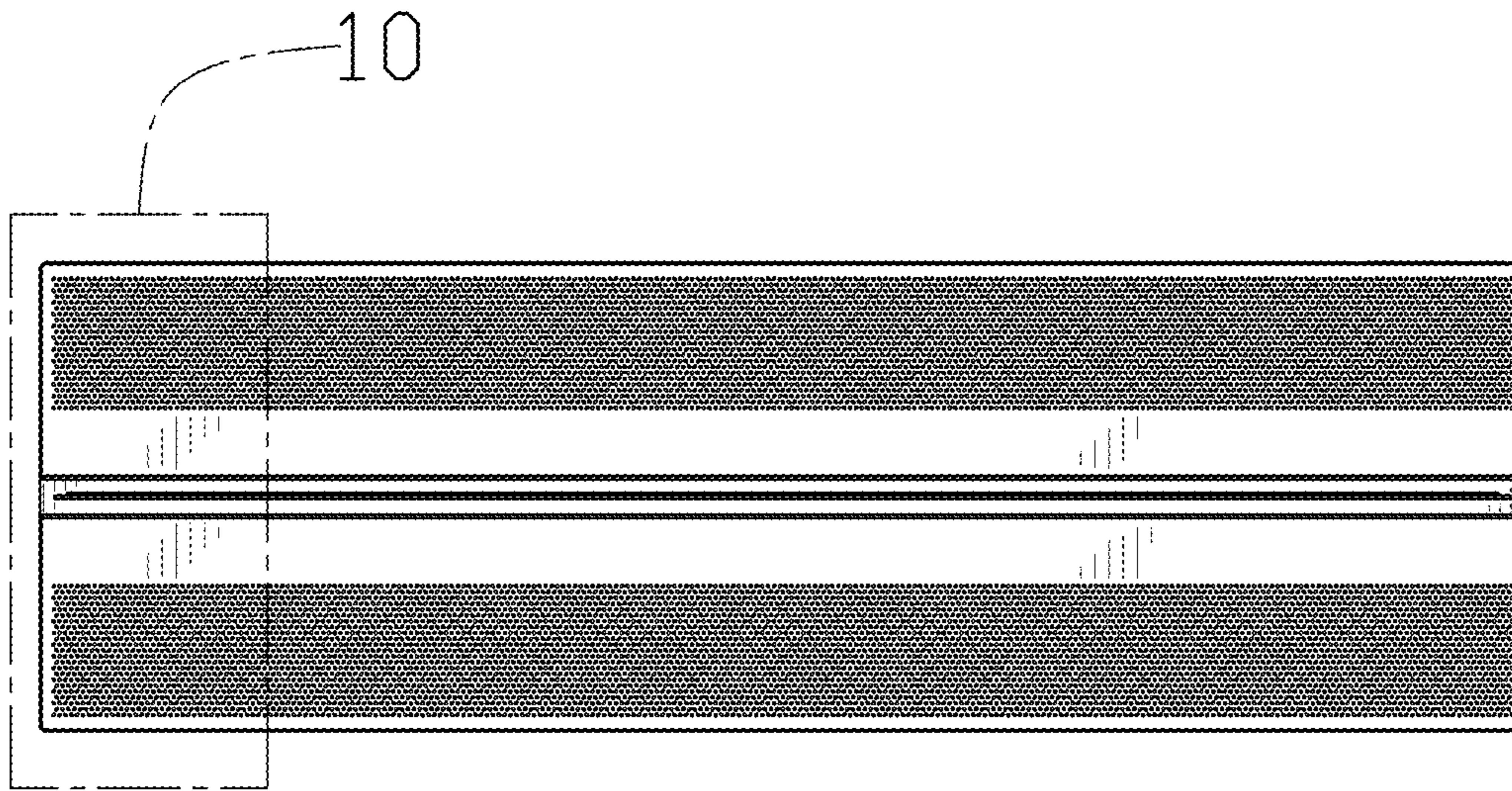


FIG. 6

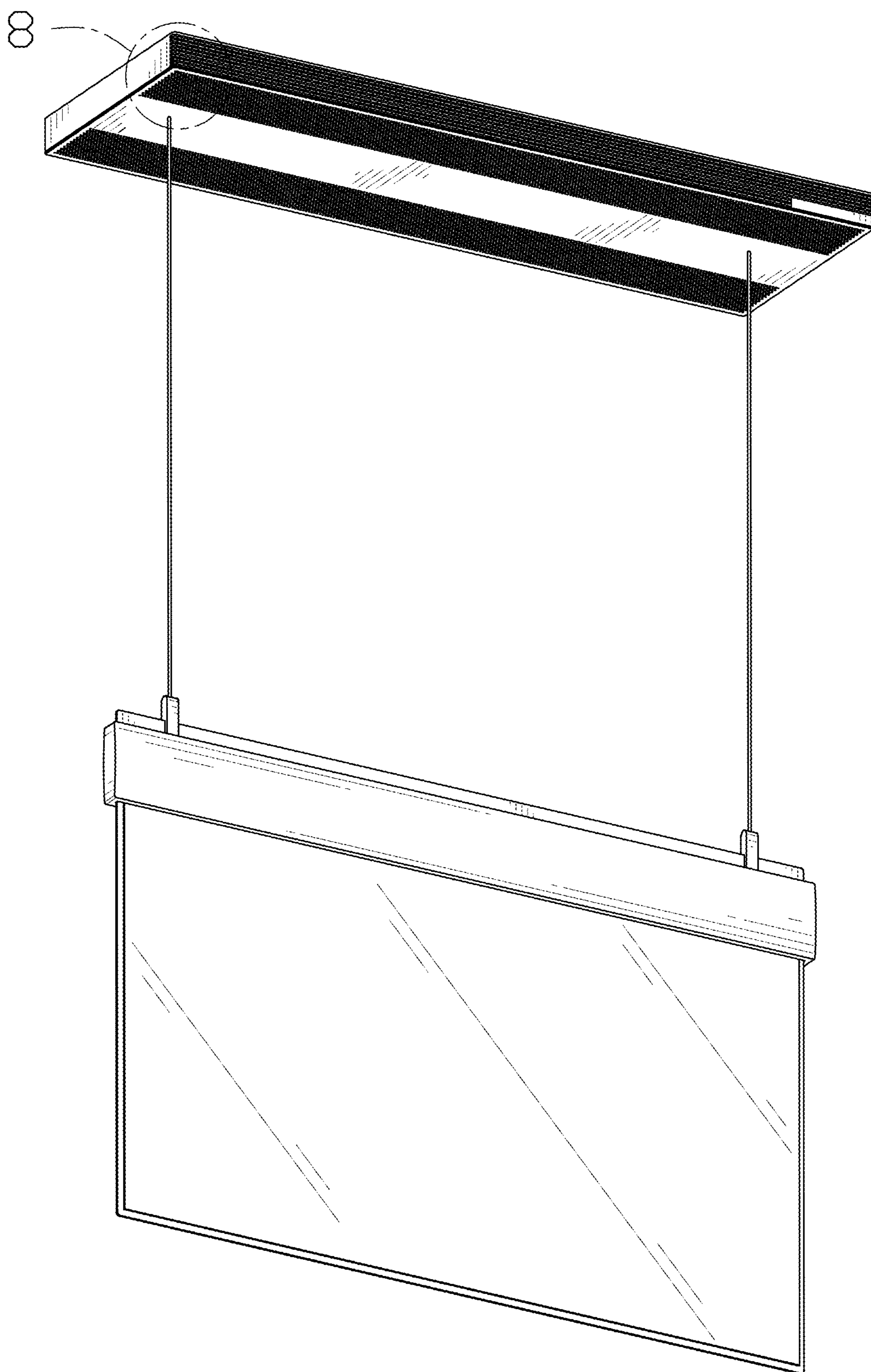


FIG. 7

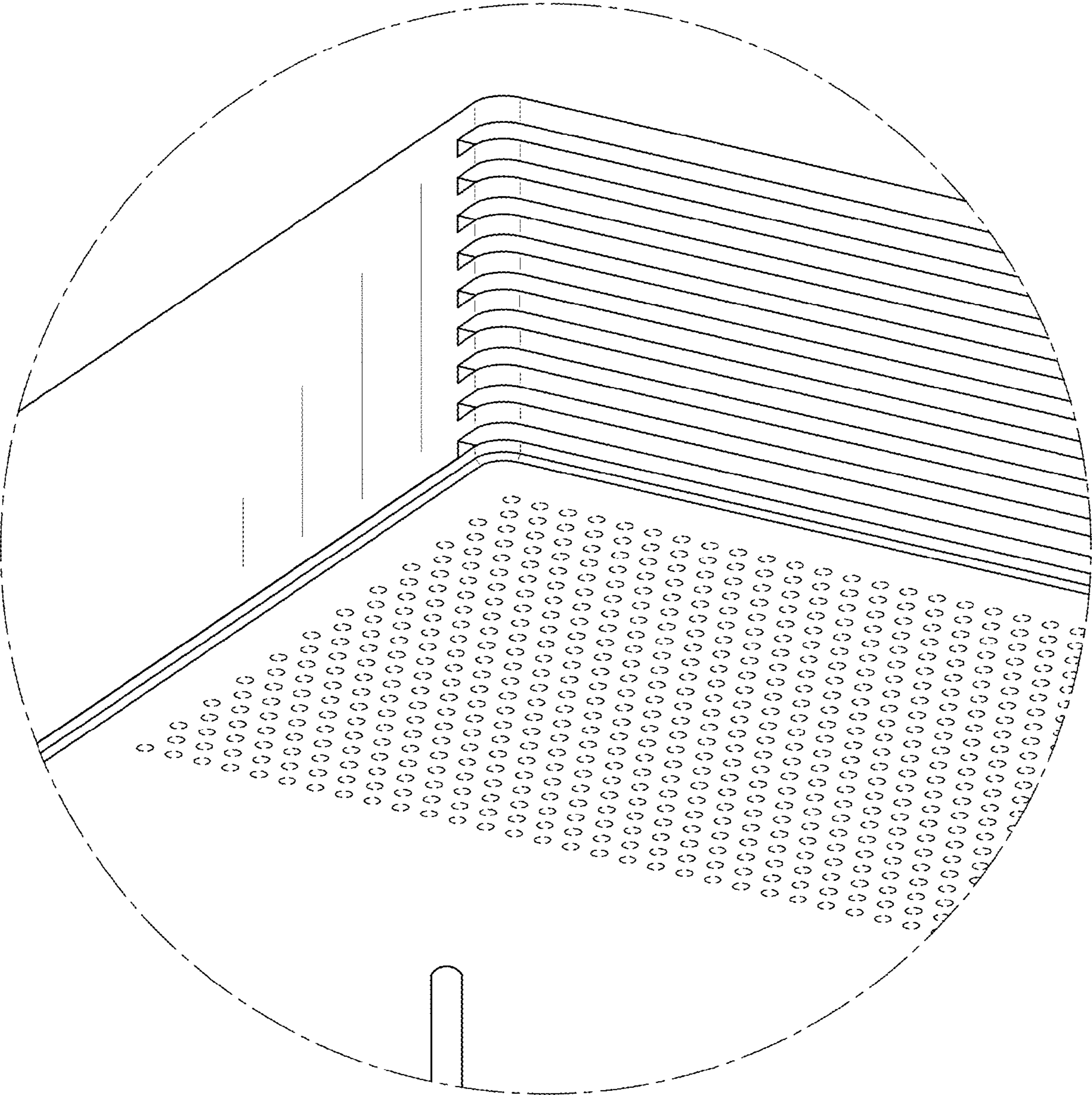


FIG. 8

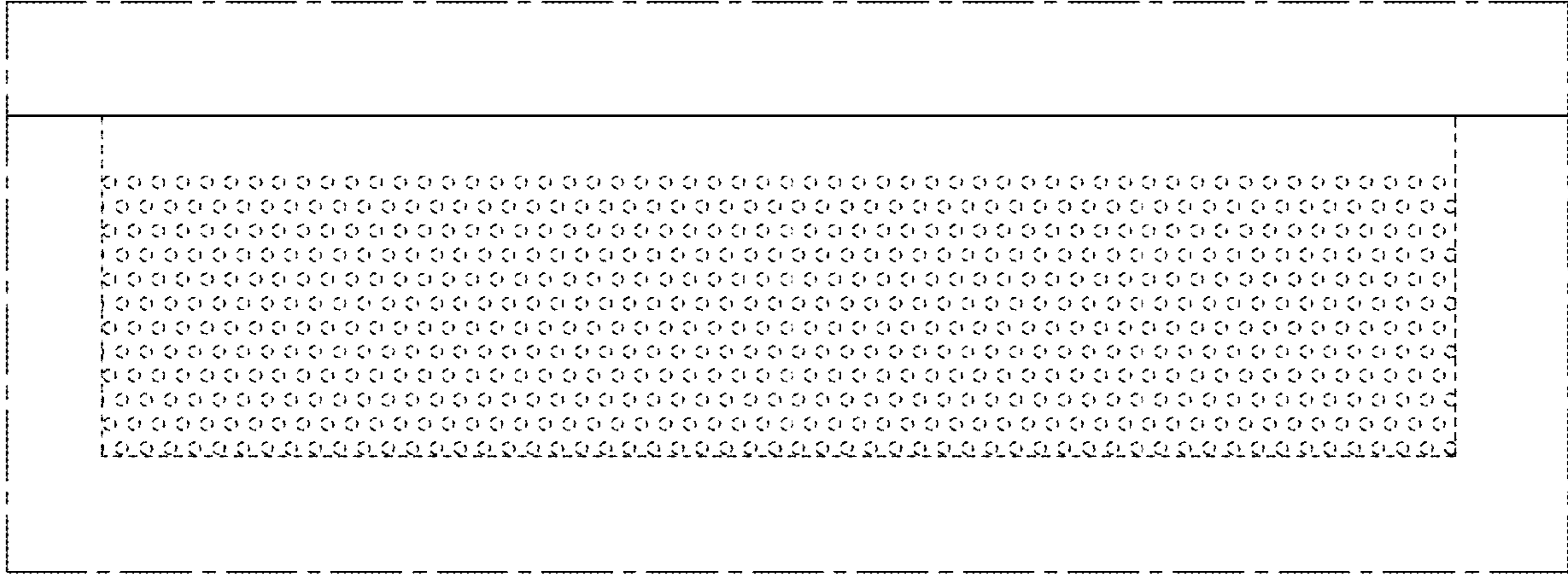


FIG. 9

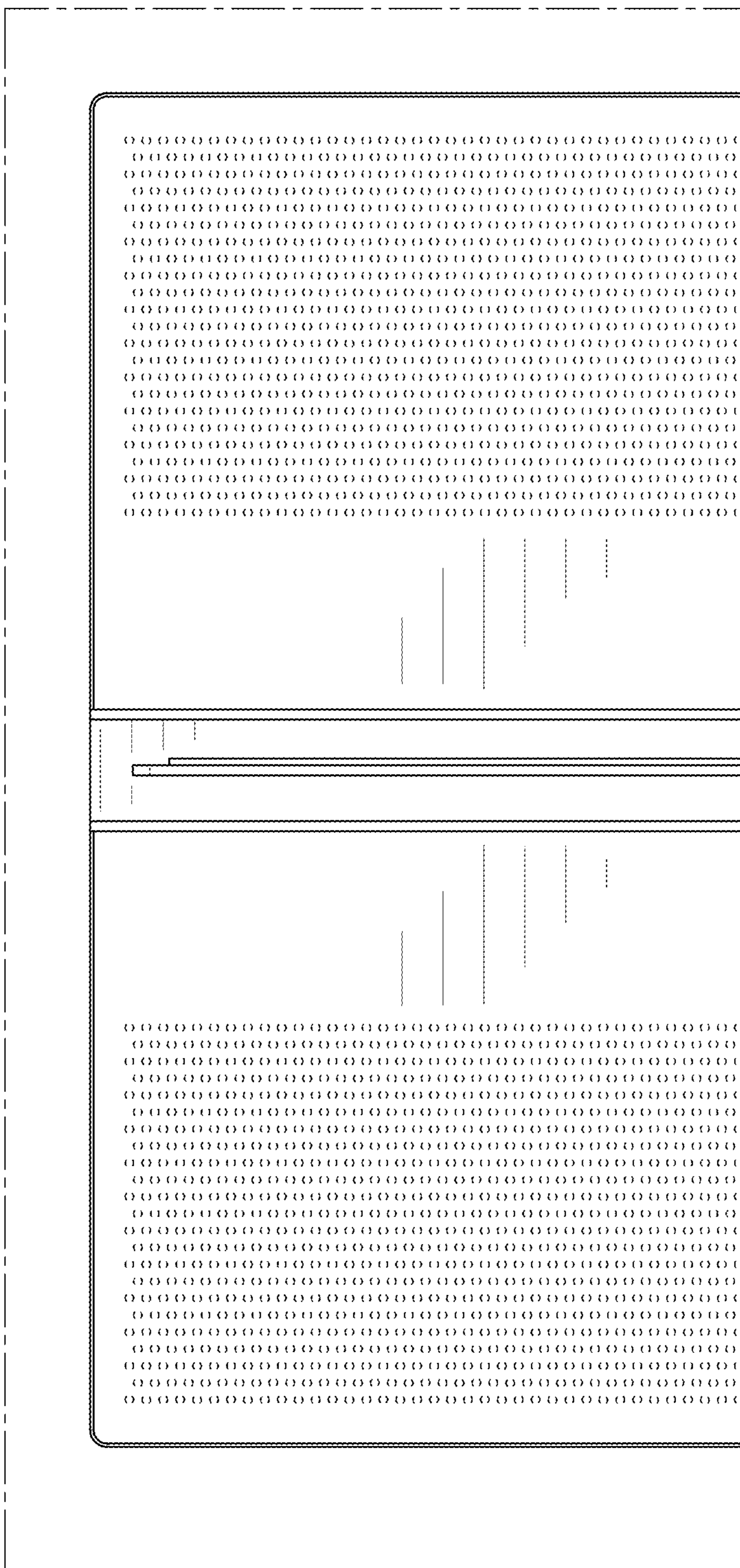


FIG. 10

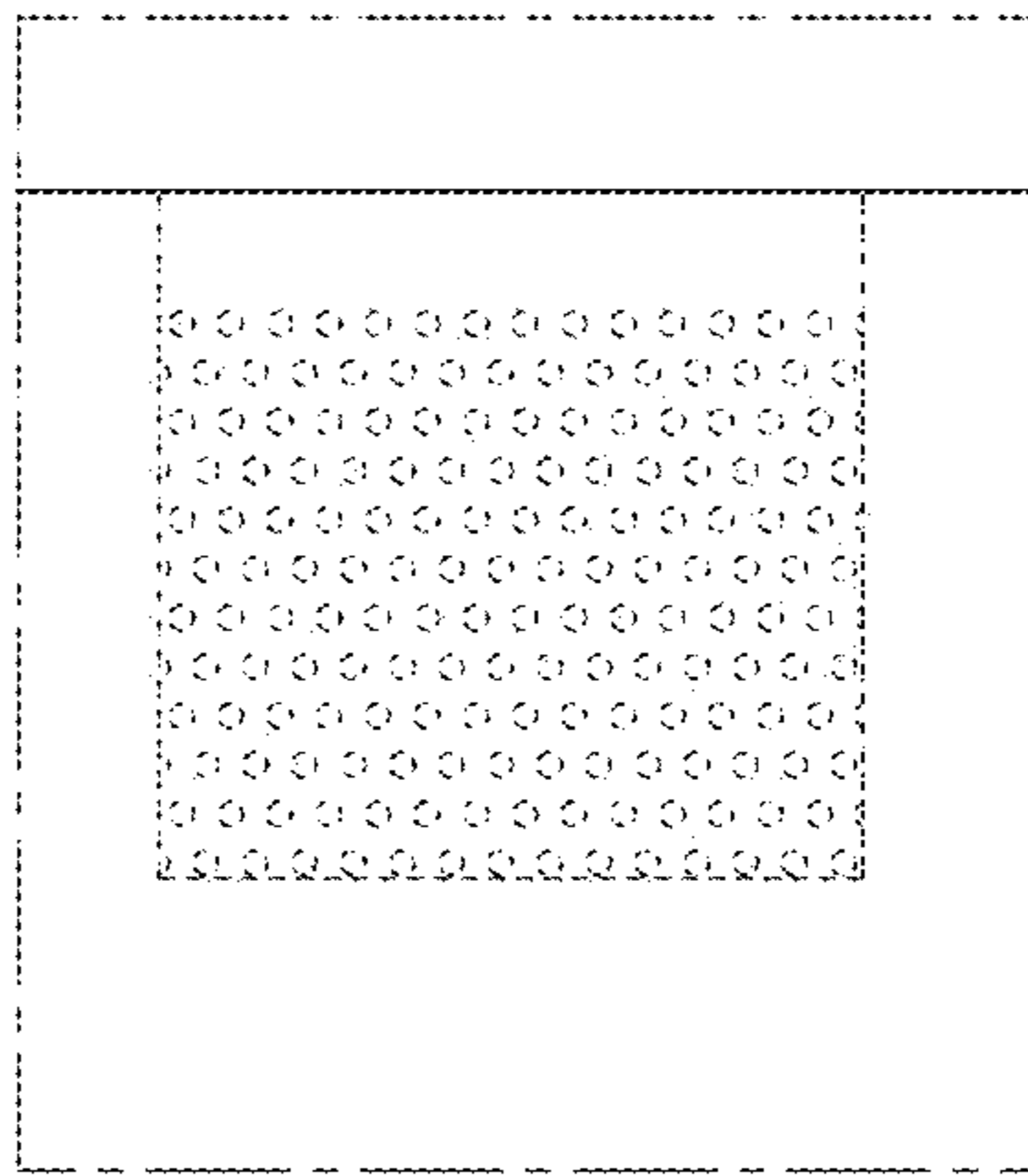


FIG. 11