

US00D960118S

(12) **United States Design Patent** (10) **Patent No.:** **US D960,118 S**  
**Girard** (45) **Date of Patent:** **\*\* Aug. 9, 2022**

(54) **TELEVISION RECEIVER**

(71) Applicant: **SAMSUNG ELECTRONICS CO., LTD.**, Suwon-si (KR)  
(72) Inventor: **Ceverine Chantal Marylene Girard**, Renens (CH)  
(73) Assignee: **SAMSUNG ELECTRONICS CO., LTD.**, Gyeonggi-Do (KR)  
(\*\*) Term: **15 Years**

(21) Appl. No.: **29/714,831**  
(22) Filed: **Nov. 26, 2019**

(30) **Foreign Application Priority Data**

May 30, 2019 (KR) ..... 30-2019-0025842  
(51) **LOC (13) Cl.** ..... **14-03**  
(52) **U.S. Cl.**  
USPC ..... **D14/126**  
(58) **Field of Classification Search**  
USPC ..... D14/125-129, 132, 133, 203.8, 239,  
D14/305-307, 314-316, 335, 336, 340,  
(Continued)

(56) **References Cited**

**U.S. PATENT DOCUMENTS**

D406,468 S \* 3/1999 Byers ..... D6/332  
D681,965 S \* 5/2013 Pili ..... D6/332  
(Continued)

**FOREIGN PATENT DOCUMENTS**

CN 304857960 S 10/2018  
EM 000953740-0001 6/2008  
(Continued)

**OTHER PUBLICATIONS**

“Gallery Frame TV Cover”, Date not available, potterybarn.com, [online], [site visited Mar. 25, 2022], Available from Internet URL: <https://www.potterybarn.com/products/gallery-frame-media-cover/> (Year: NA).\*

(Continued)

*Primary Examiner* — Christian P. McLean  
*Assistant Examiner* — Kourosch Taie-Tehrani  
(74) *Attorney, Agent, or Firm* — Cantor Colburn LLP

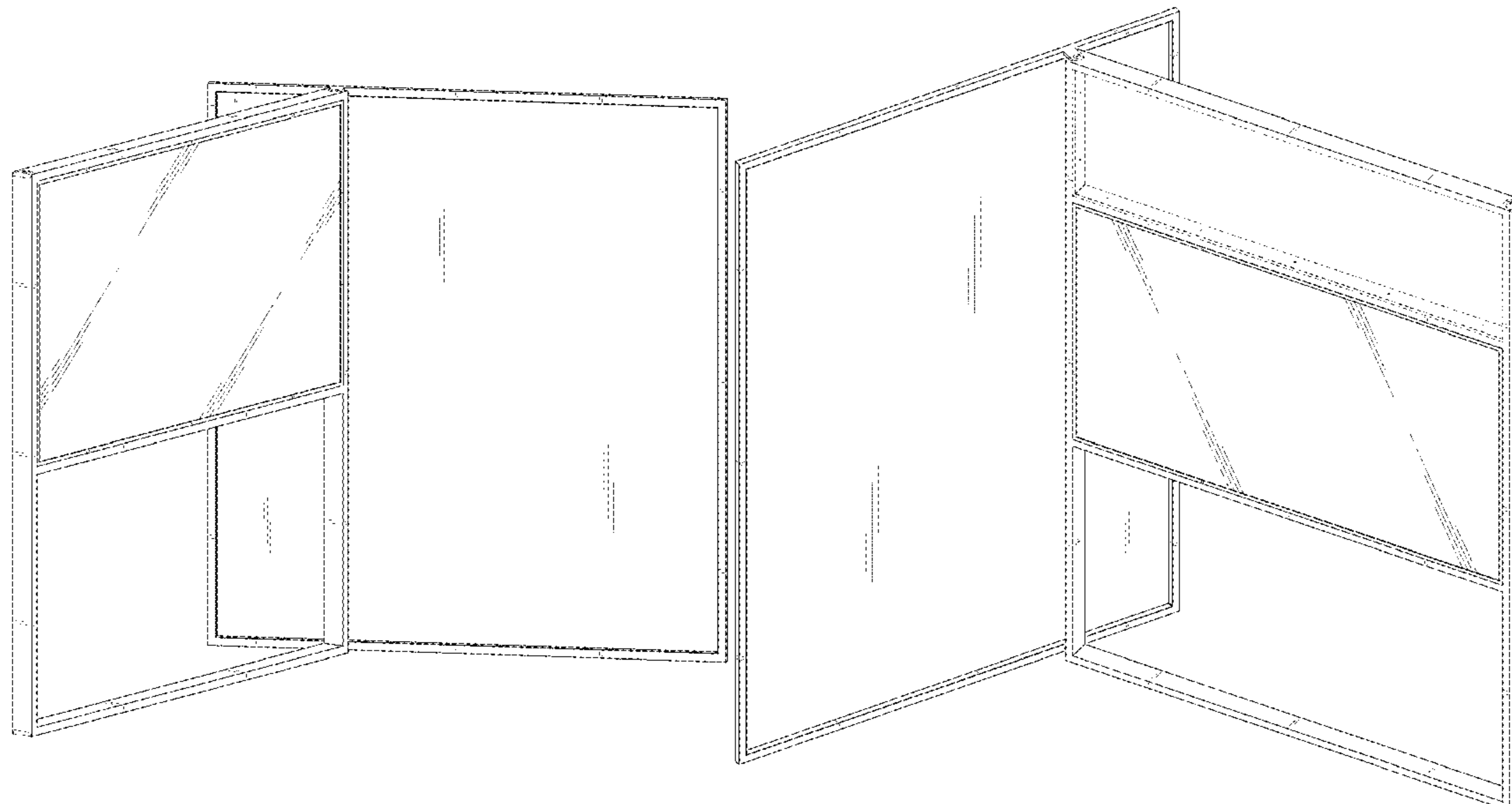
(57) **CLAIM**

The ornamental design for a television receiver, as shown and described.

**DESCRIPTION**

FIG. 1 is a front perspective view of a television receiver showing my new design according to a first embodiment; FIG. 2 is a front view thereof; FIG. 3 is a rear view thereof; FIG. 4 is a left-side view thereof; FIG. 5 is a right-side view thereof; FIG. 6 is a top view thereof; FIG. 7 is a bottom view thereof; FIG. 8 is a rear perspective view thereof; FIG. 9 is a front perspective view of a television receiver showing my new design according to a second embodiment; FIG. 10 is a front view thereof; FIG. 11 is a rear view thereof; FIG. 12 is a left-side view thereof; FIG. 13 is a right-side view thereof; FIG. 14 is a top view thereof; FIG. 15 is a bottom view thereof; and, FIG. 16 is a rear perspective view thereof. The even-dash broken lines illustrating portions of the television receiver form no part of the claimed design.

**1 Claim, 16 Drawing Sheets**



(58) **Field of Classification Search**

USPC ..... D14/371–377, 382, 447–451, 900, 902;  
 D6/663, 672, 673, 675.1, 705; D16/241;  
 D18/4.5–4.6; D20/10, 17, 18, 19, 21, 27,  
 D20/39, 41, 42, 99; D21/329, 332, 515;  
 D24/160, 167, 186; D25/60, 61  
 CPC ..... G09F 9/301; G06F 1/1656; G06F 1/1652;  
 G06F 1/1626; G06F 1/1637; G06F  
 1/1601; G06F 1/1605; G06F 1/162; H04N  
 7/00; H04N 7/002; H04N 7/015; H04N  
 7/18; H04N 11/00; H04N 11/24; H04N  
 5/00; H04N 1/00283; H04N 9/00; A47F  
 5/00; A47F 5/005; A47F 5/0815; A47F  
 5/0846; A47G 1/141

See application file for complete search history.

(56) **References Cited**

U.S. PATENT DOCUMENTS

D719,120 S \* 12/2014 Park ..... D14/126  
 D761,221 S \* 7/2016 Kim ..... D14/126  
 D908,650 S \* 1/2021 Cho ..... D14/126  
 D911,299 S \* 2/2021 Kim ..... D14/126  
 D911,993 S \* 3/2021 Kim ..... D14/126  
 D916,317 S \* 4/2021 Butler ..... D25/48.5  
 D916,536 S \* 4/2021 Pedersen ..... D6/672  
 D924,187 S \* 7/2021 Park ..... D14/126  
 D924,188 S \* 7/2021 Park ..... D14/126  
 D924,189 S \* 7/2021 Park ..... D14/126  
 D929,355 S \* 8/2021 Diao ..... D14/126  
 D930,604 S \* 9/2021 Pyo ..... D14/126  
 D936,027 S \* 11/2021 Pyo ..... D14/126

D943,294 S \* 2/2022 Pedersen ..... D6/332  
 2013/0271940 A1 \* 10/2013 Cope ..... H05K 5/0217  
 361/809  
 2017/0367198 A1 \* 12/2017 Park ..... H04M 1/0268  
 2019/0198783 A1 \* 6/2019 Kim ..... G06F 1/1652  
 2019/0324501 A1 \* 10/2019 Kim ..... H04R 7/045  
 2020/0160760 A1 \* 5/2020 Park ..... H04R 9/066  
 2020/0314552 A1 \* 10/2020 Kim ..... H04R 7/045  
 2020/0365063 A1 \* 11/2020 Park ..... H01L 51/5237  
 2021/0056874 A1 \* 2/2021 Morin ..... G09F 9/301  
 2021/0068280 A1 \* 3/2021 Han ..... G02F 1/133308  
 2021/0110792 A1 \* 4/2021 Hong ..... G09F 9/301  
 2021/0144868 A1 \* 5/2021 Song ..... G06F 1/1652  
 2021/0201713 A1 \* 7/2021 Chung ..... G09F 9/301  
 2022/0004229 A1 \* 1/2022 Guo ..... G09F 9/301

FOREIGN PATENT DOCUMENTS

KR 300759858 S 9/2014  
 KR 300802780 S 6/2015  
 KR 300804777 S 7/2016

OTHER PUBLICATIONS

“Samsung My Shelf . . .”, first available Mar. 3, 2021, allhomecinema.com, [online], [site visited Mar. 25, 2022], Available from Internet URL: <https://allhomecinema.com/samsung-my-shelf-a-stylish-shelf-for-the-frame-television/?id=34800297494> (Year: 2021).  
 “Samsung’s The Wall”, “Date not available.”, samsung.com, [online], [site visited Mar. 25, 2022], Available from Internet URL: <https://www.samsung.com/us/business/displays/direct-view-led/the-wall/> (Year: NA).\*

\* cited by examiner

FIG. 1

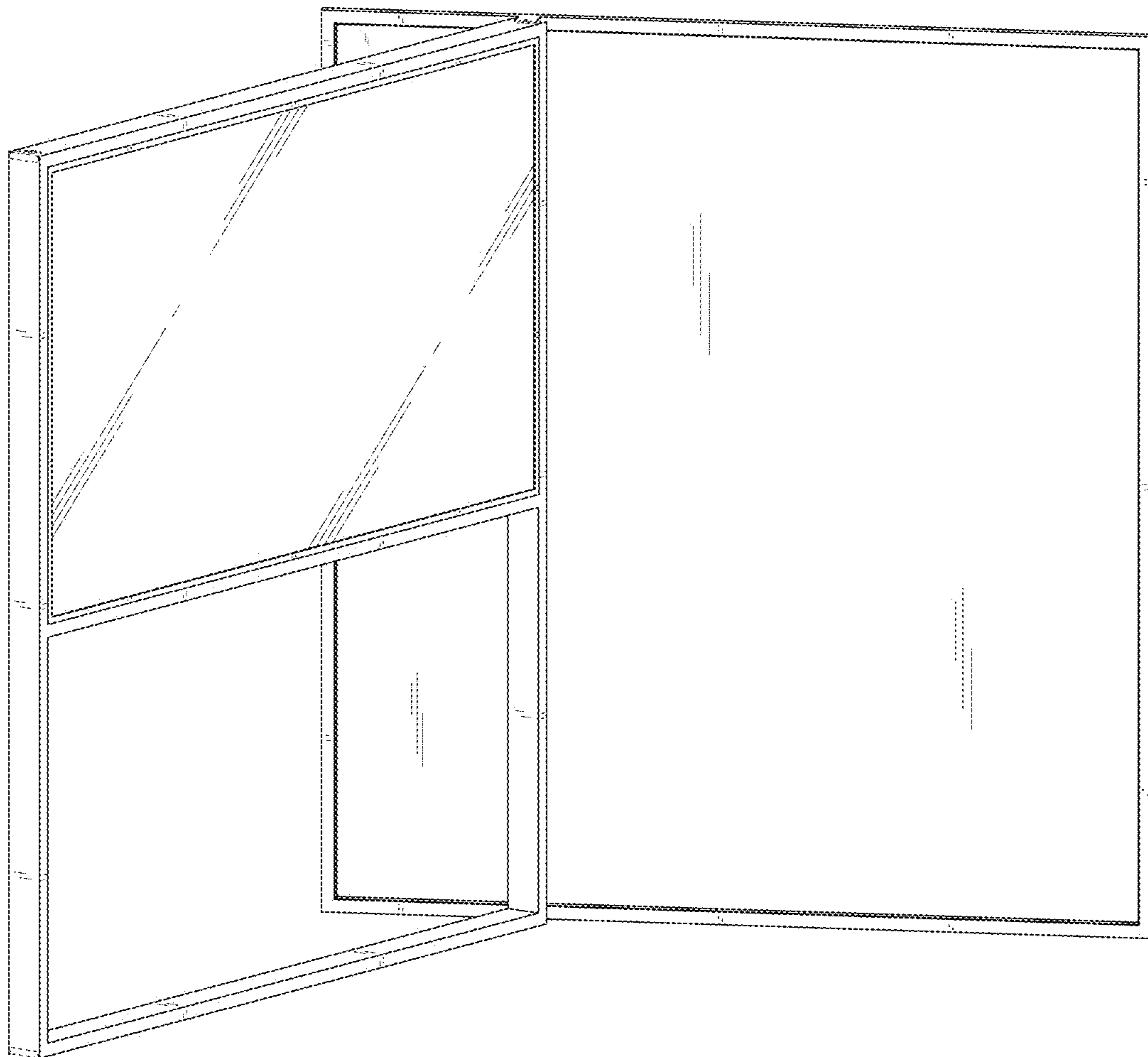


FIG. 2

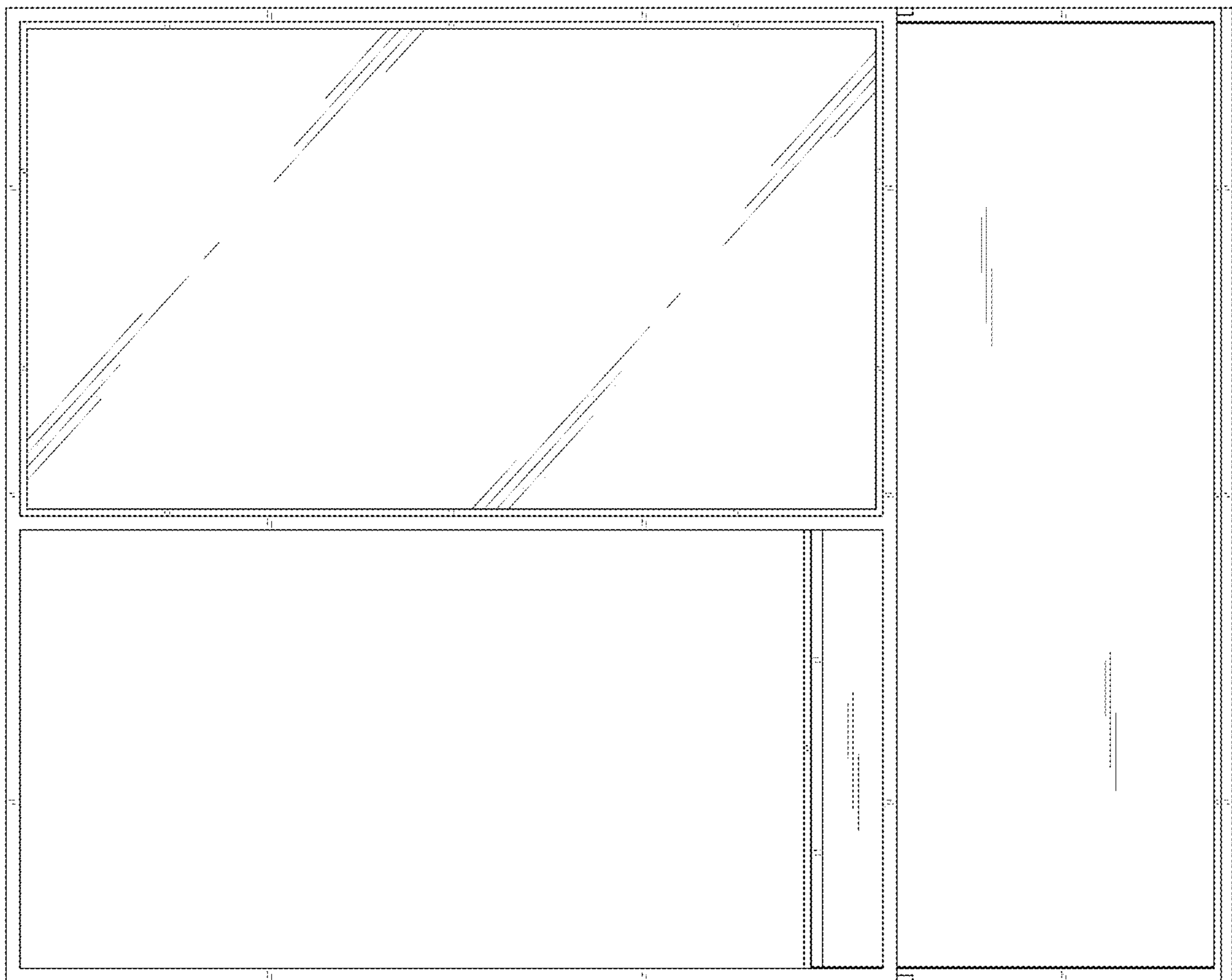


FIG. 3

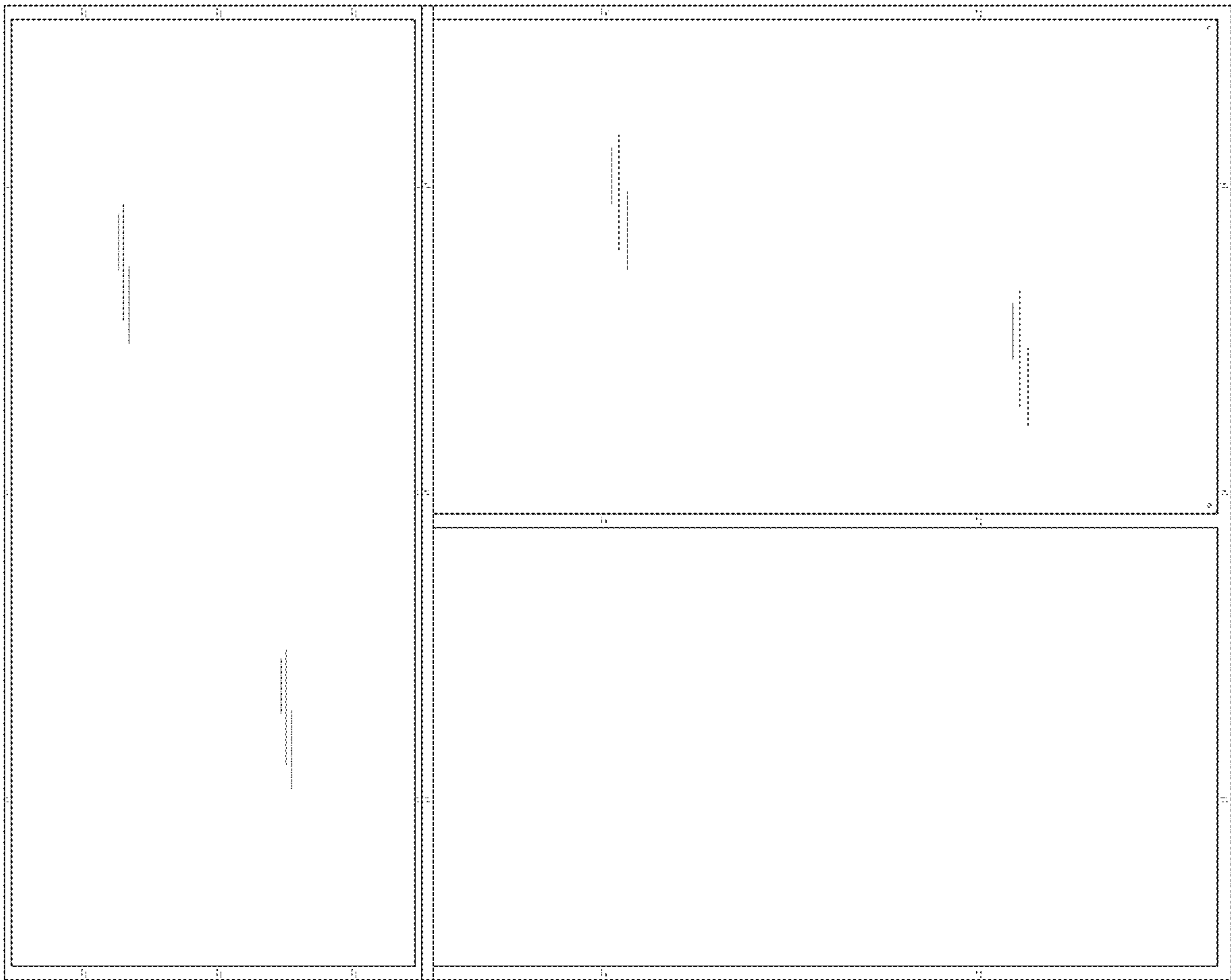


FIG. 4

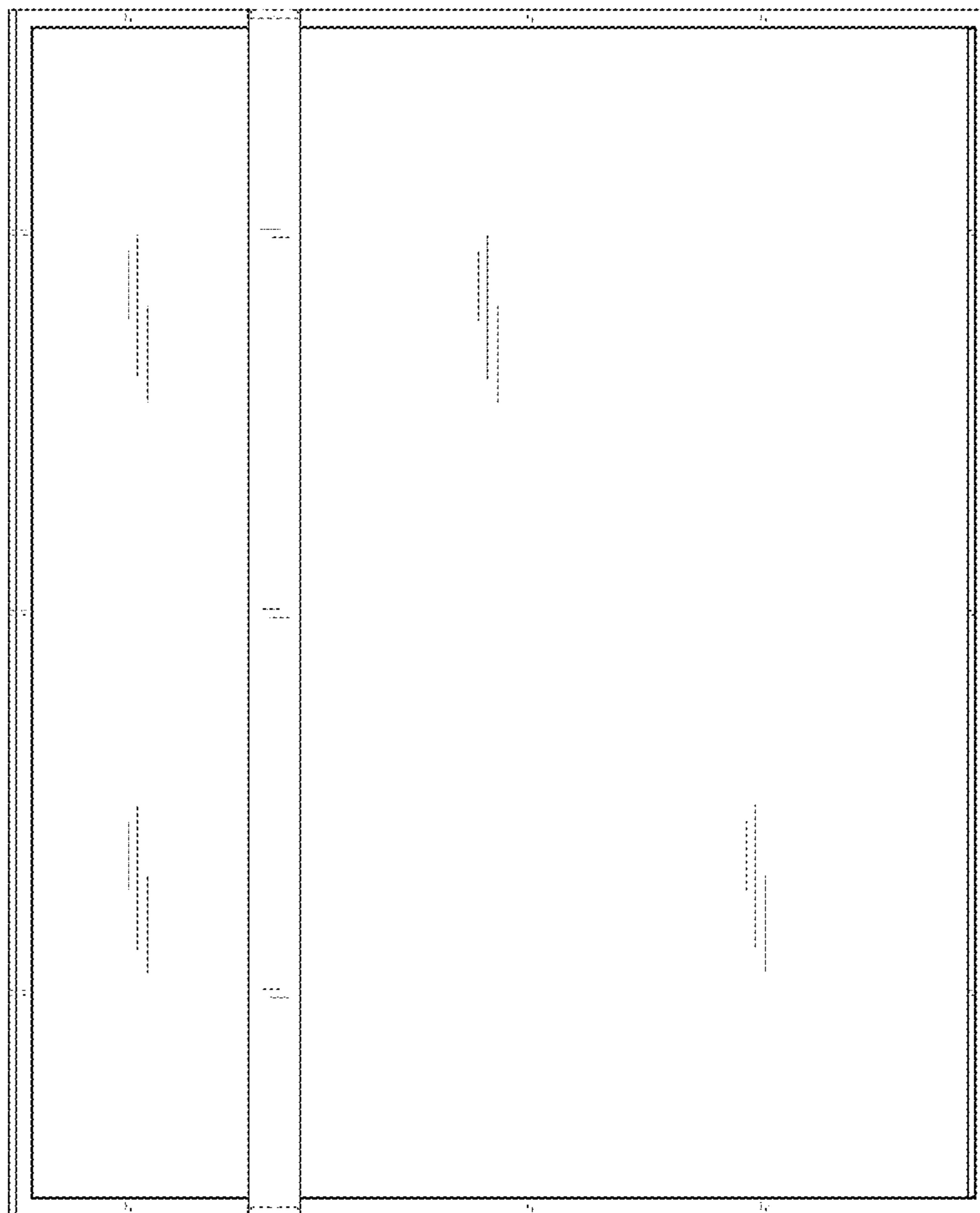


FIG. 5

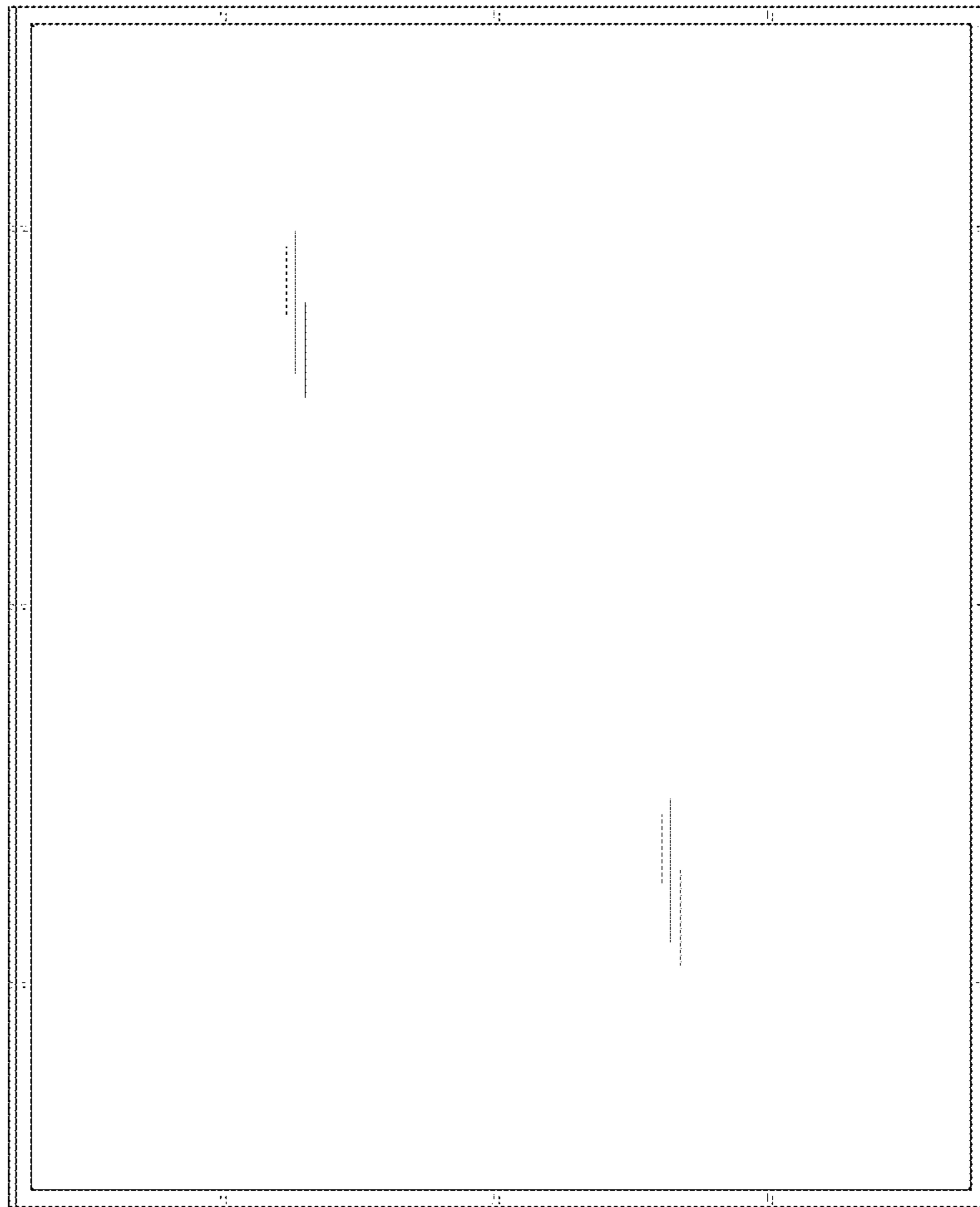


FIG. 6

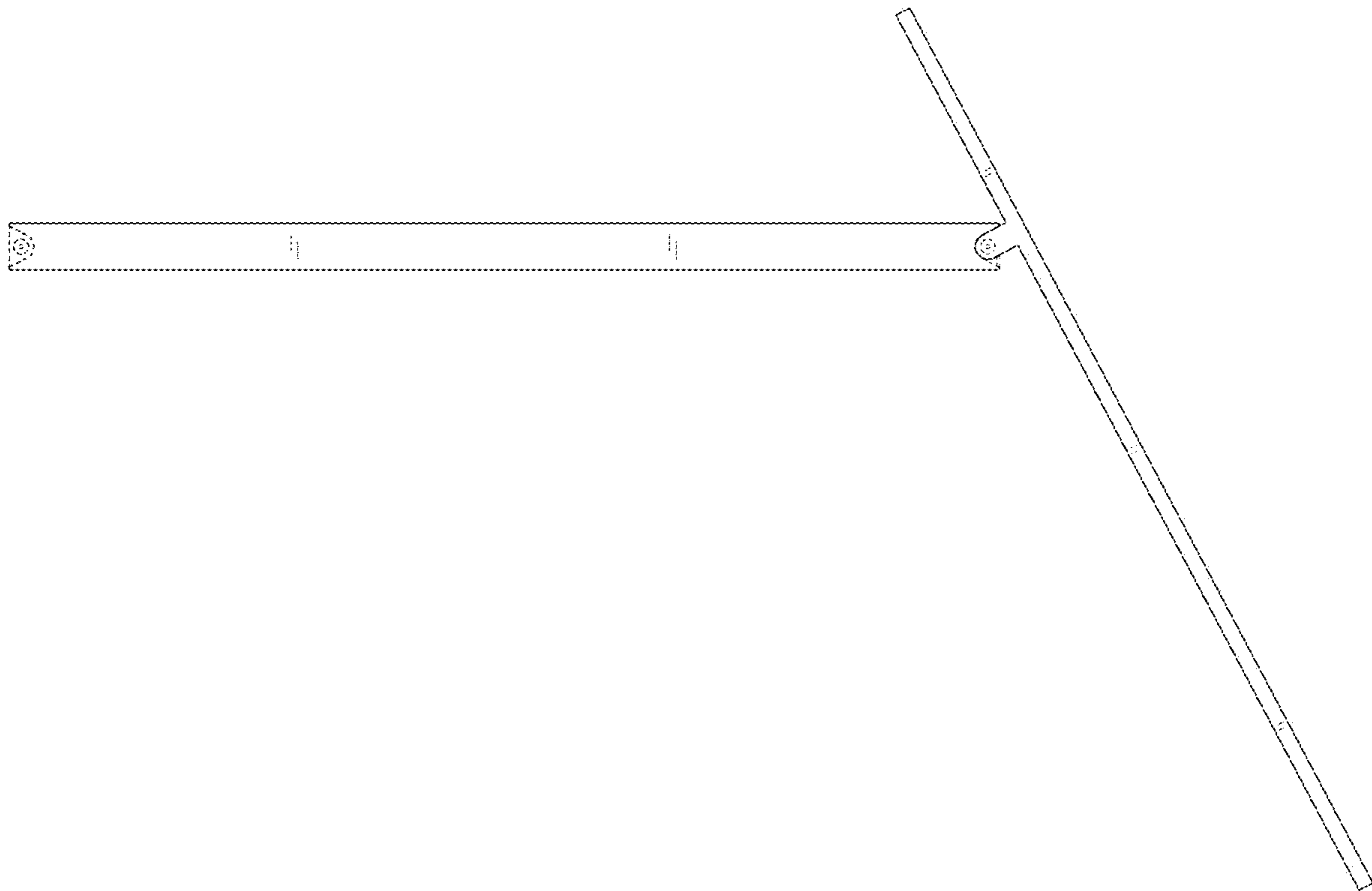




FIG. 7

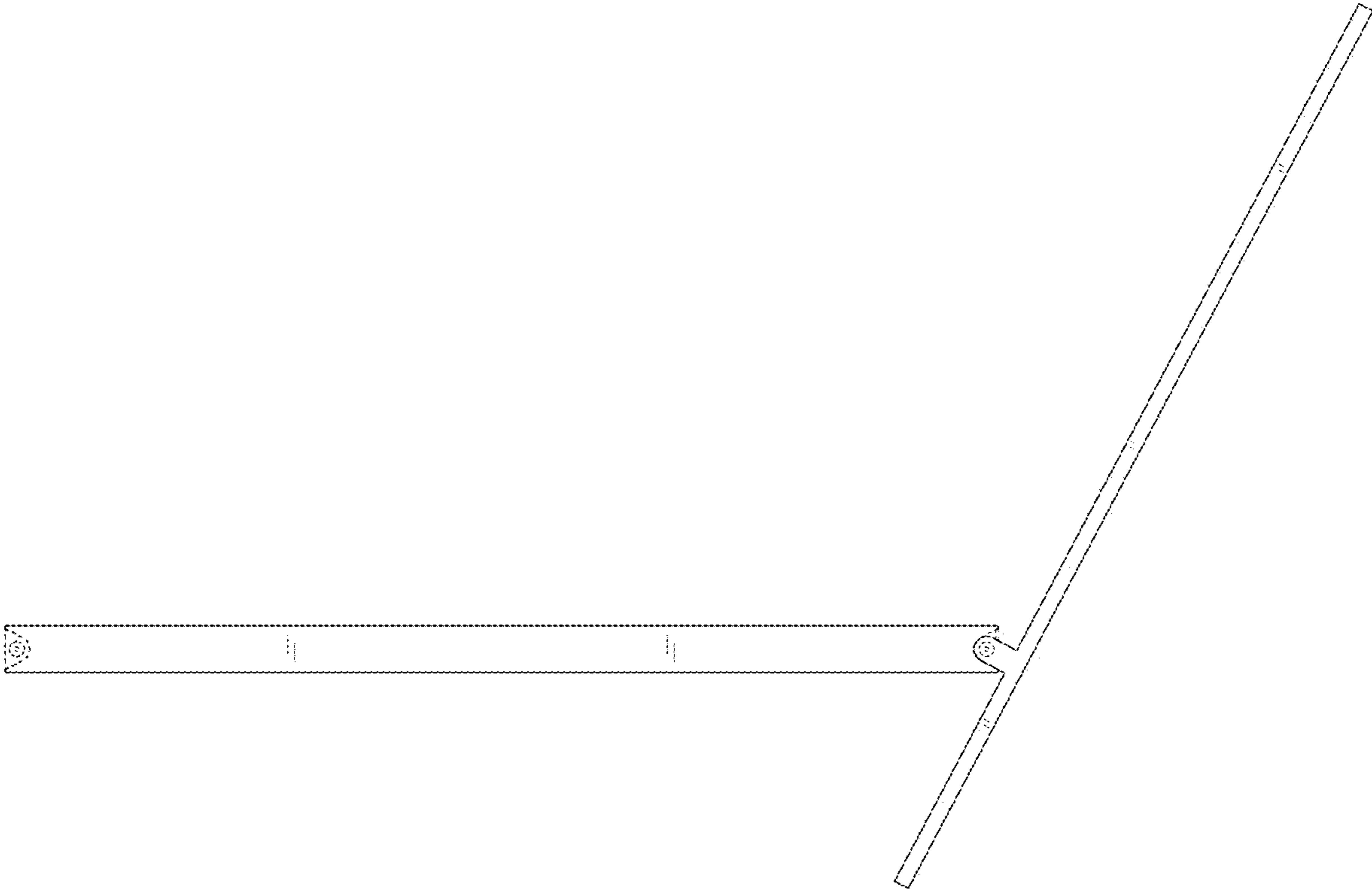


FIG. 8

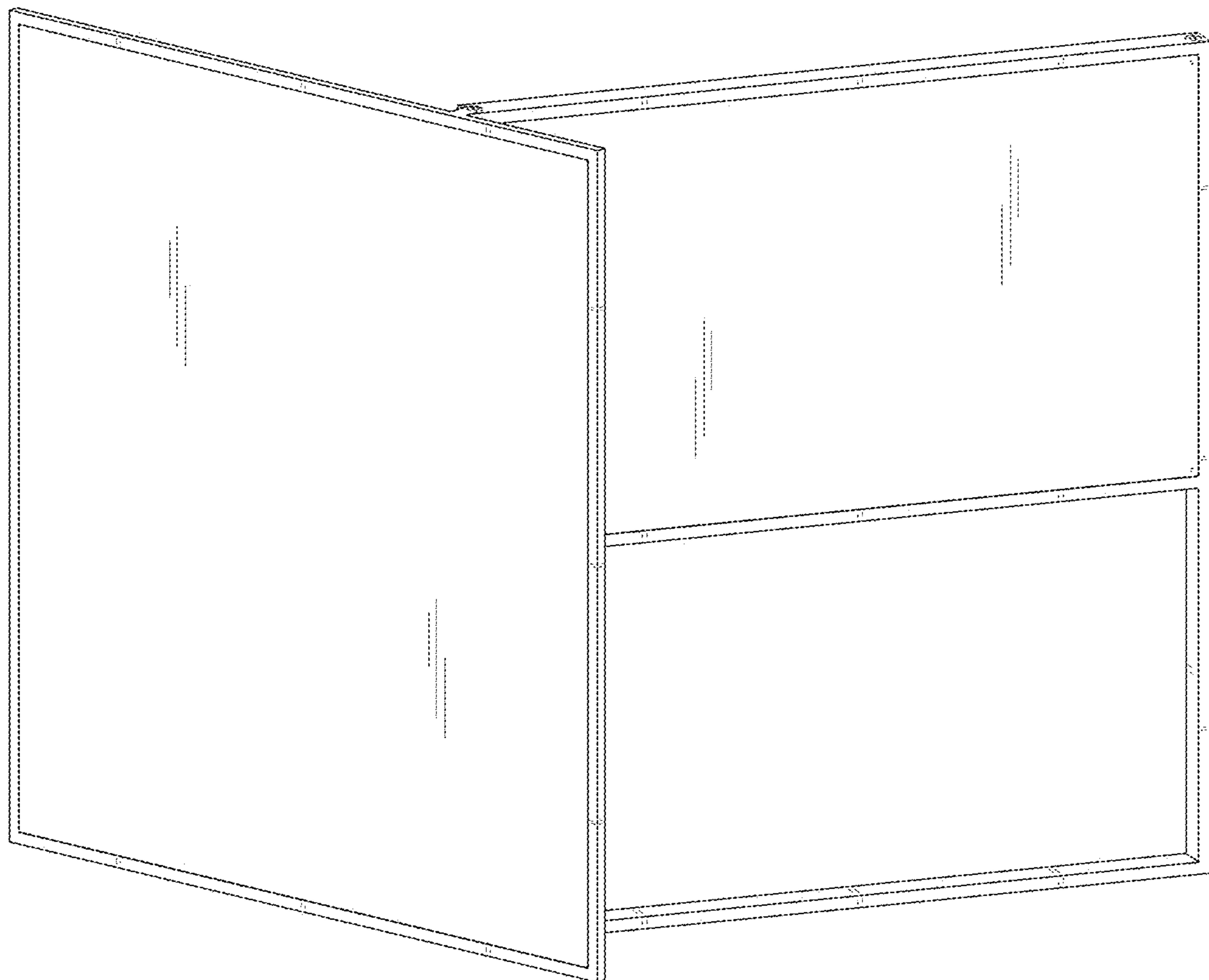


FIG. 9

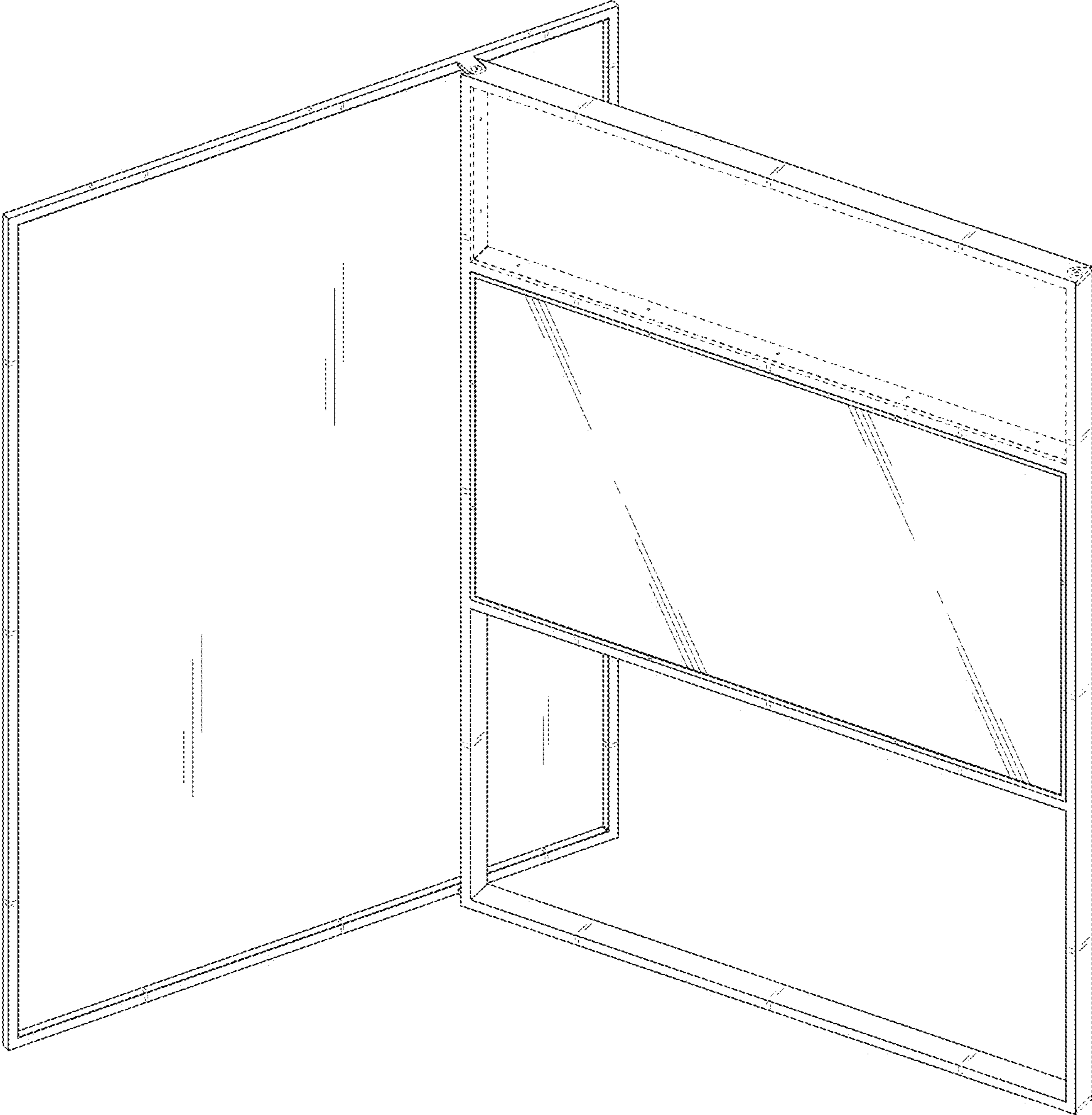


FIG. 10

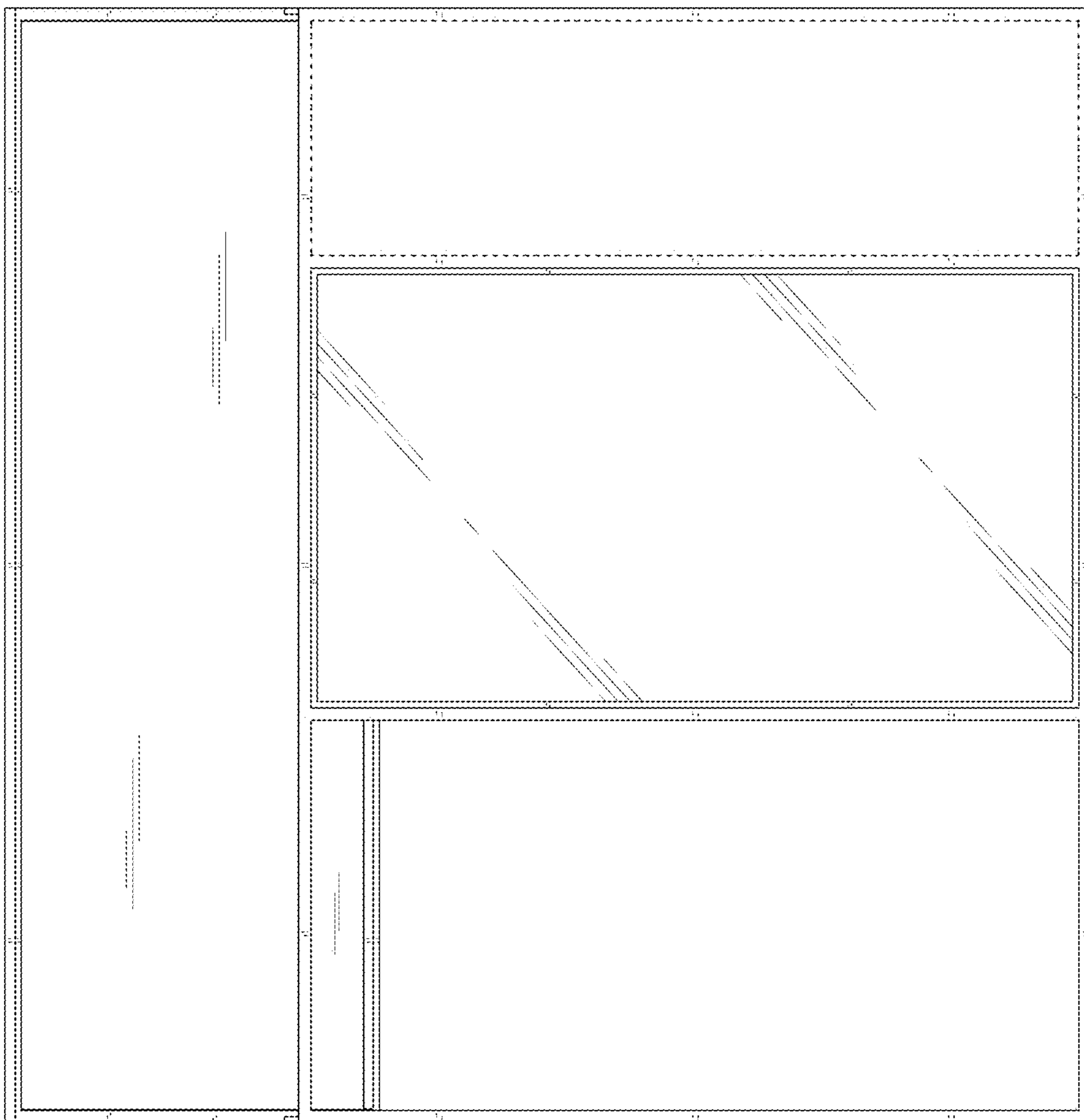


FIG. 11

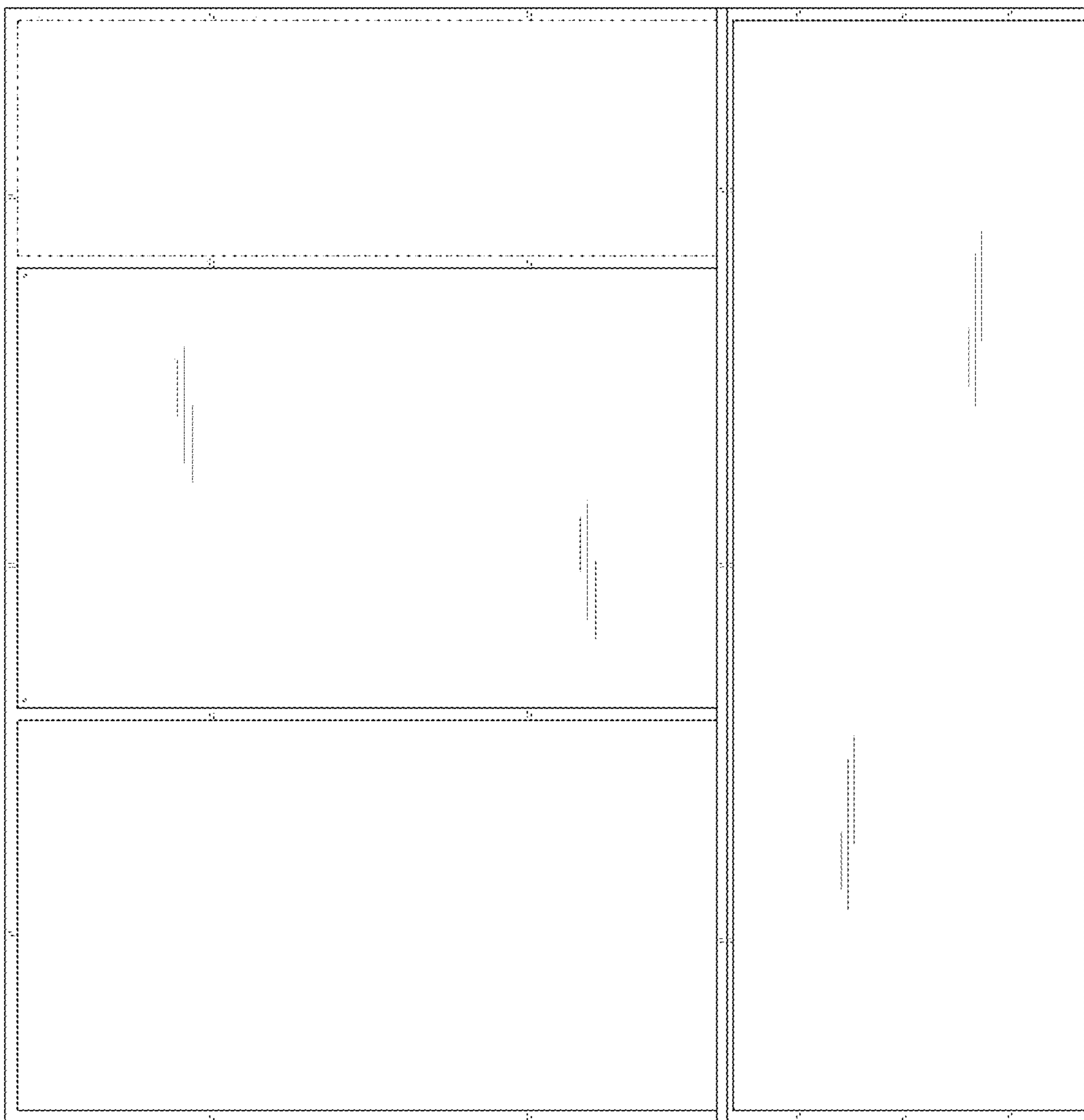


FIG. 12

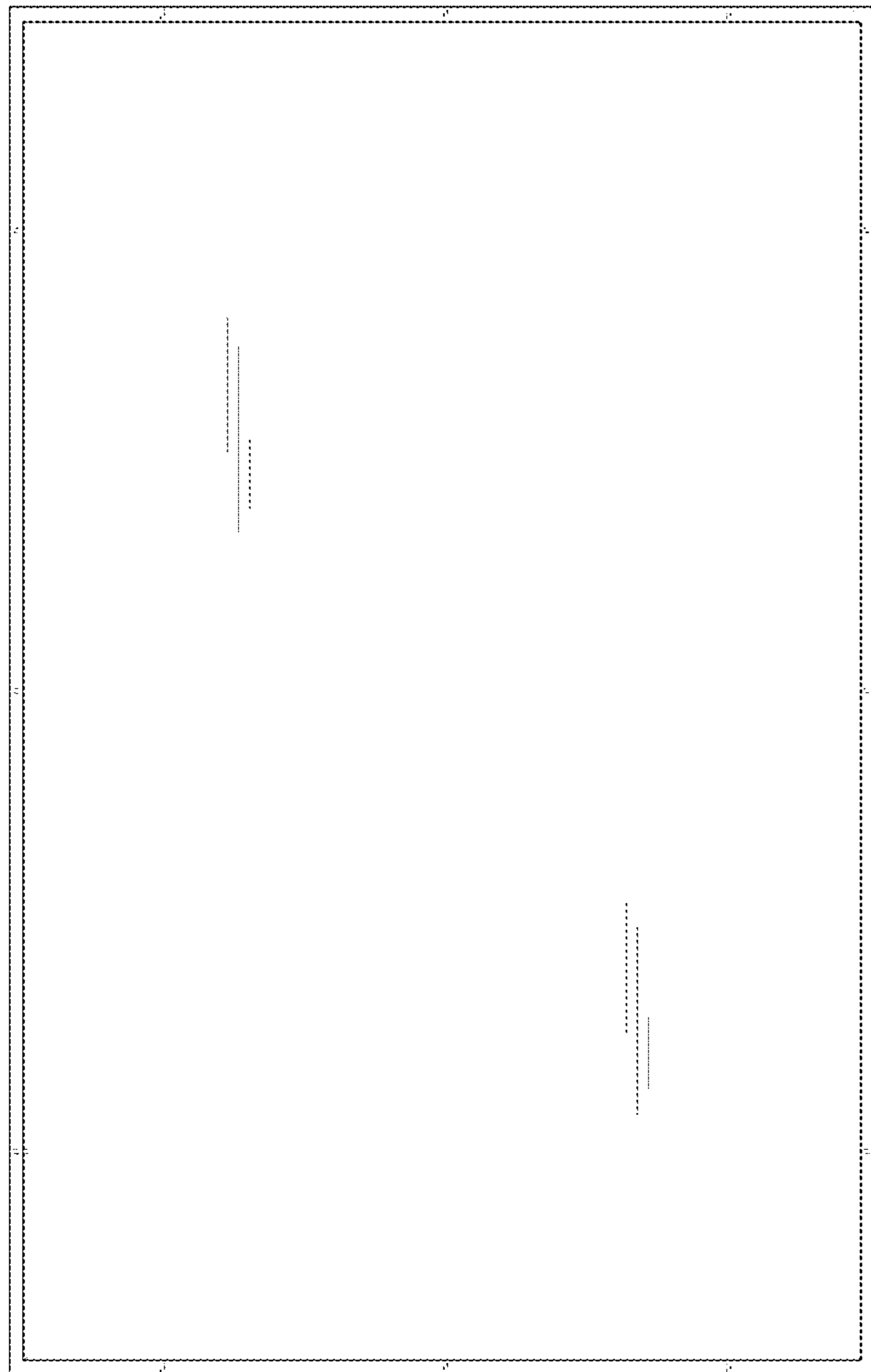


FIG. 13

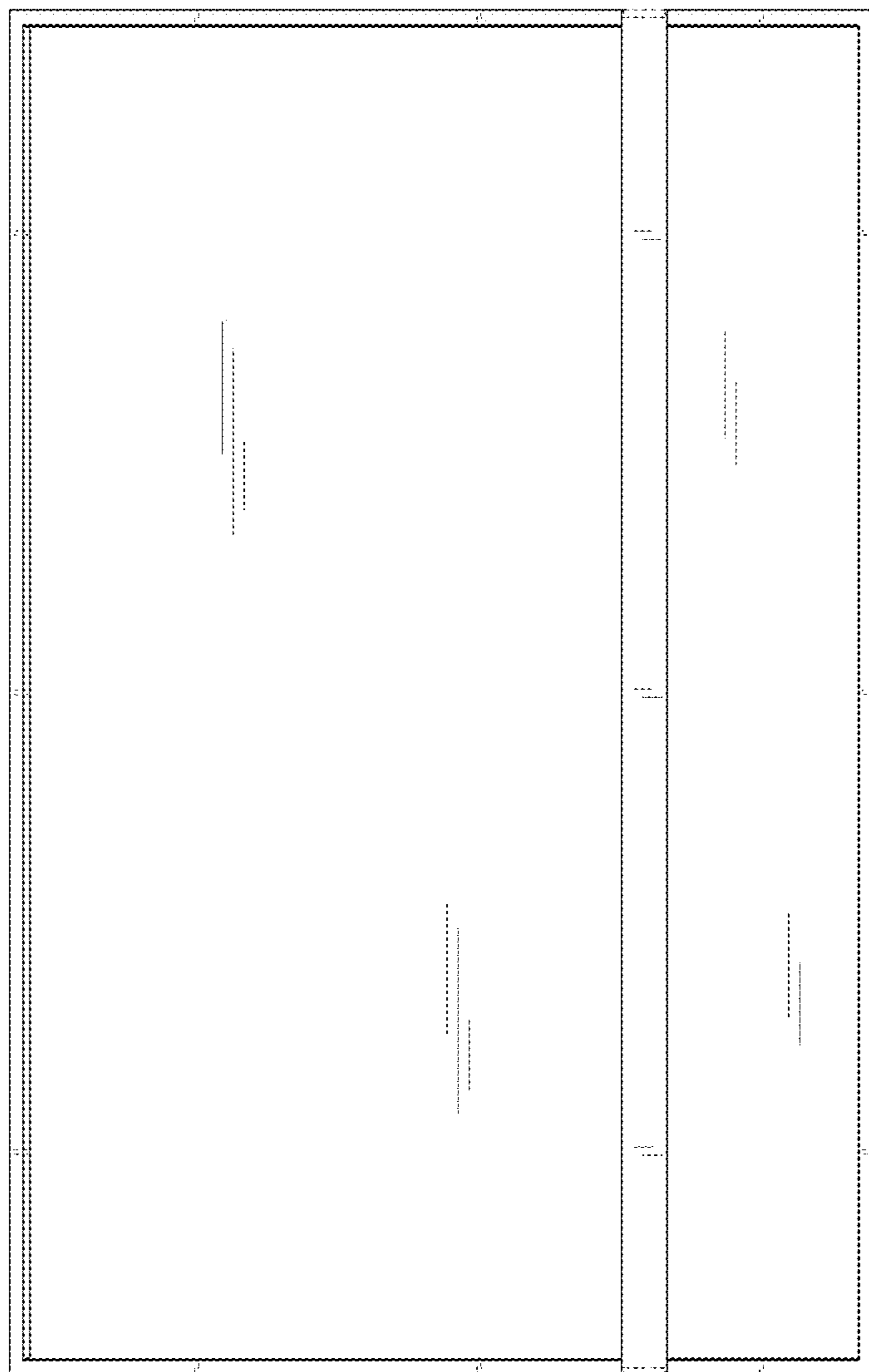


FIG. 14

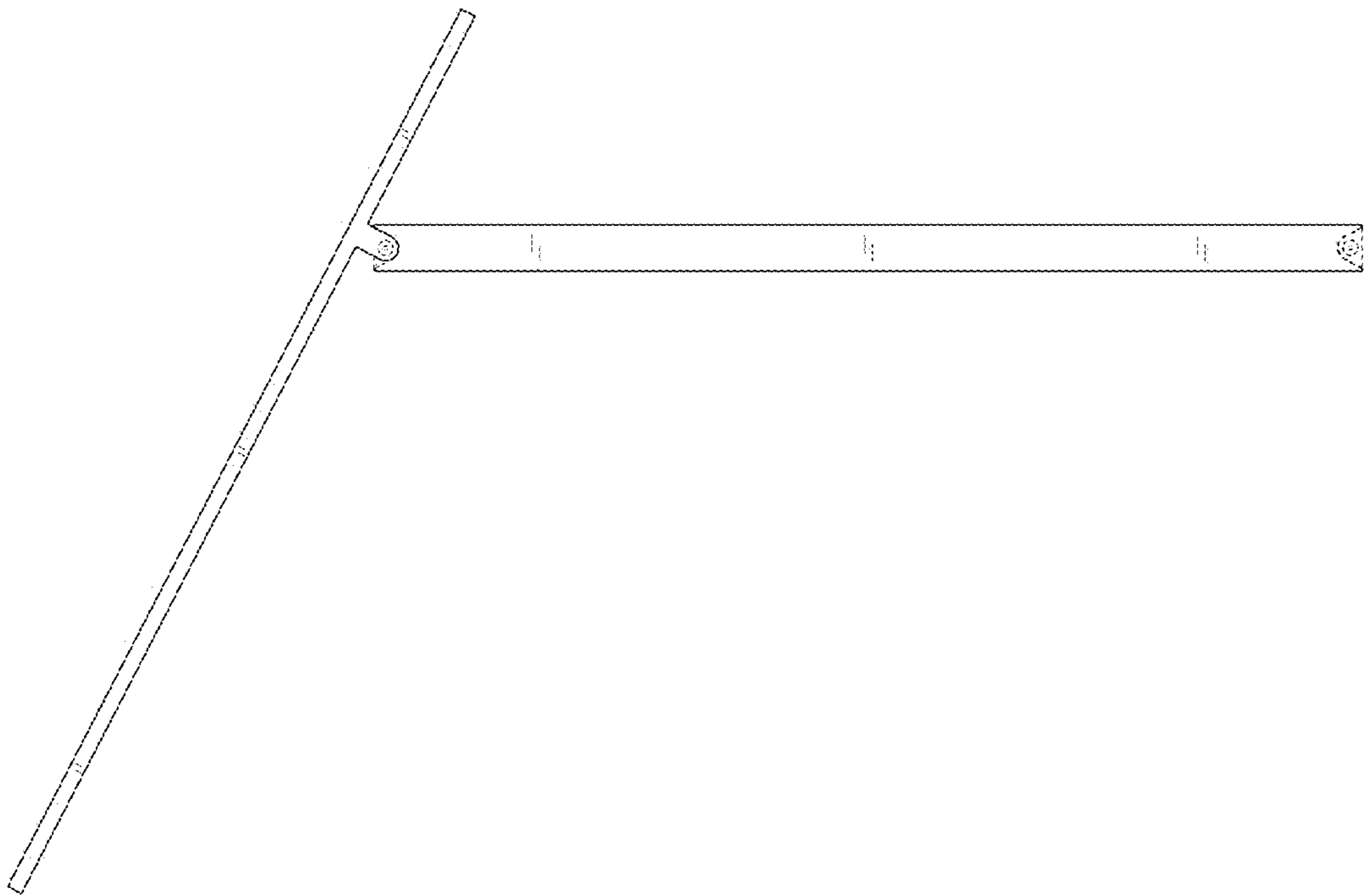




FIG. 15

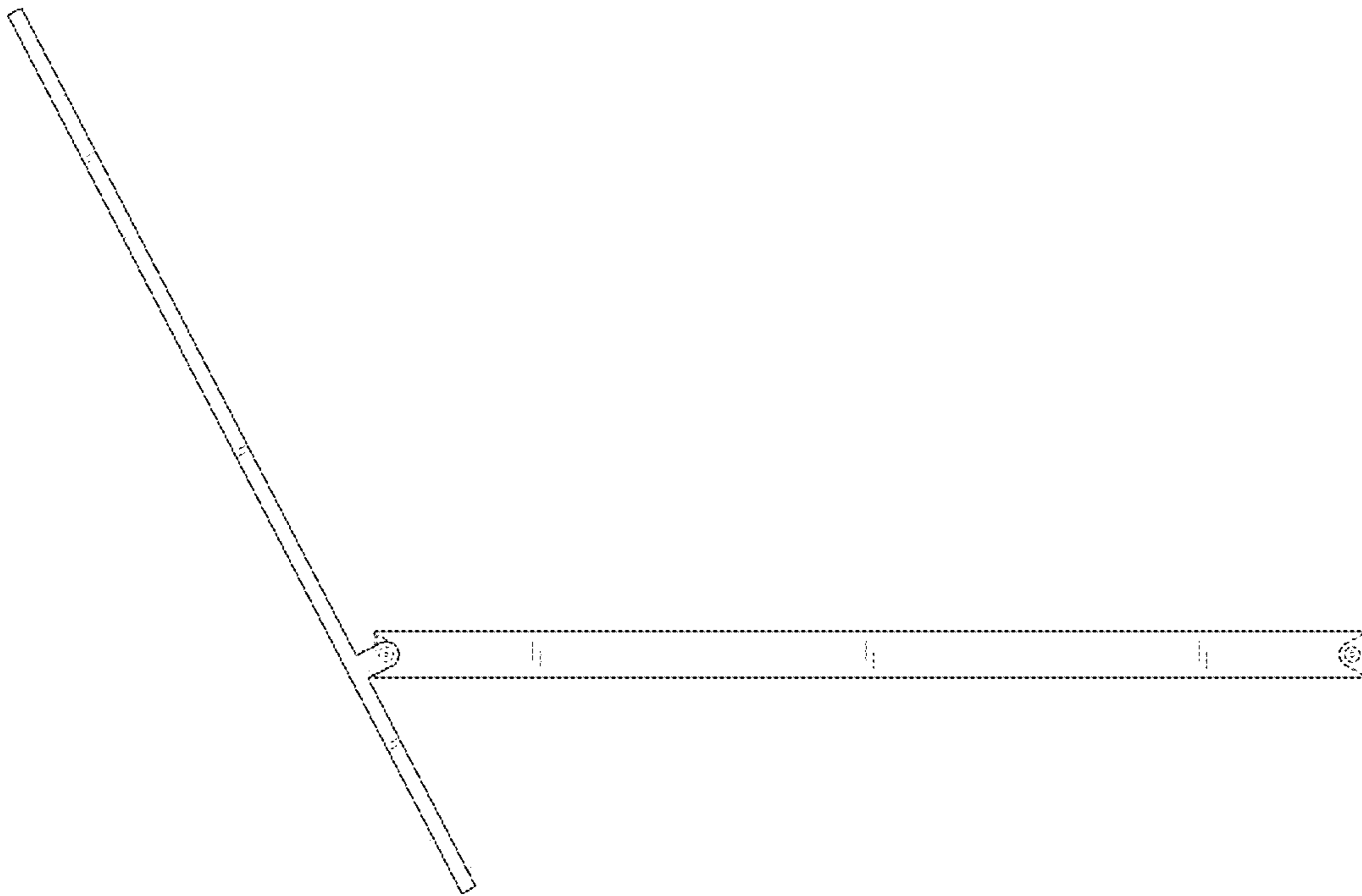


FIG. 16

