



US00D960116S

(12) **United States Design Patent** (10) **Patent No.:** **US D960,116 S**
Wilcox et al. (45) **Date of Patent:** **** Aug. 9, 2022**

(54) **TELECOMMUNICATIONS CLOSURE WITH SURFACE ORNAMENTATION**

(71) Applicant: **Corning Optical Communications LLC**, Hickory, NC (US)

(72) Inventors: **Dayne Wilcox**, Menlo Park, CA (US); **Lea Kobeli**, San Francisco, CA (US); **Marie Noury**, Croix (FR); **Marcelle Van Beusekom**, San Francisco, CA (US)

(73) Assignee: **Corning Optical Communications LLC**, Hickory, NC (US)

(**) Term: **15 Years**

(21) Appl. No.: **29/560,539**

(22) Filed: **Apr. 7, 2016**

(51) **LOC (13) Cl.** **13-03**

(52) **U.S. Cl.**
USPC **D13/184**

(58) **Field of Classification Search**
USPC D13/184, 131, 132, 133; D14/353, 441, D14/440, 444, 181; 385/135
CPC G02B 6/4463; G02B 6/443; G02B 6/44
See application file for complete search history.

(56) **References Cited**

U.S. PATENT DOCUMENTS

- 2,344,302 A * 3/1944 Harza E02B 3/14 405/16
- 4,362,432 A * 12/1982 Conover E02B 3/06 405/33
- 4,458,936 A * 7/1984 Mulholland B62D 35/001 296/180.4
- D433,418 S * 11/2000 Newman D14/444
- D436,945 S * 1/2001 Tanaka D14/214
- 6,359,228 B1 3/2002 Strause et al.

- 6,467,833 B1 * 10/2002 Travers B62D 35/004 296/180.1
 - 6,766,094 B2 7/2004 Smith et al.
 - 7,013,074 B2 3/2006 Battey et al.
 - D528,537 S * 9/2006 Wang D14/230
 - 7,327,943 B2 2/2008 Vo et al.
 - 7,346,253 B2 * 3/2008 Bloodworth G02B 6/4453 385/134
 - D595,292 S * 6/2009 Harden D14/240
 - 7,729,583 B2 6/2010 Elkins, II et al.
 - 7,753,596 B2 7/2010 Cox
- (Continued)

FOREIGN PATENT DOCUMENTS

- EP 2520959 B1 3/2014
 - EP 2557443 B1 3/2014
- (Continued)

Primary Examiner — Janice Hallmark
Assistant Examiner — Harold E Blackwell, II
(74) *Attorney, Agent, or Firm* — Adam R. Weeks

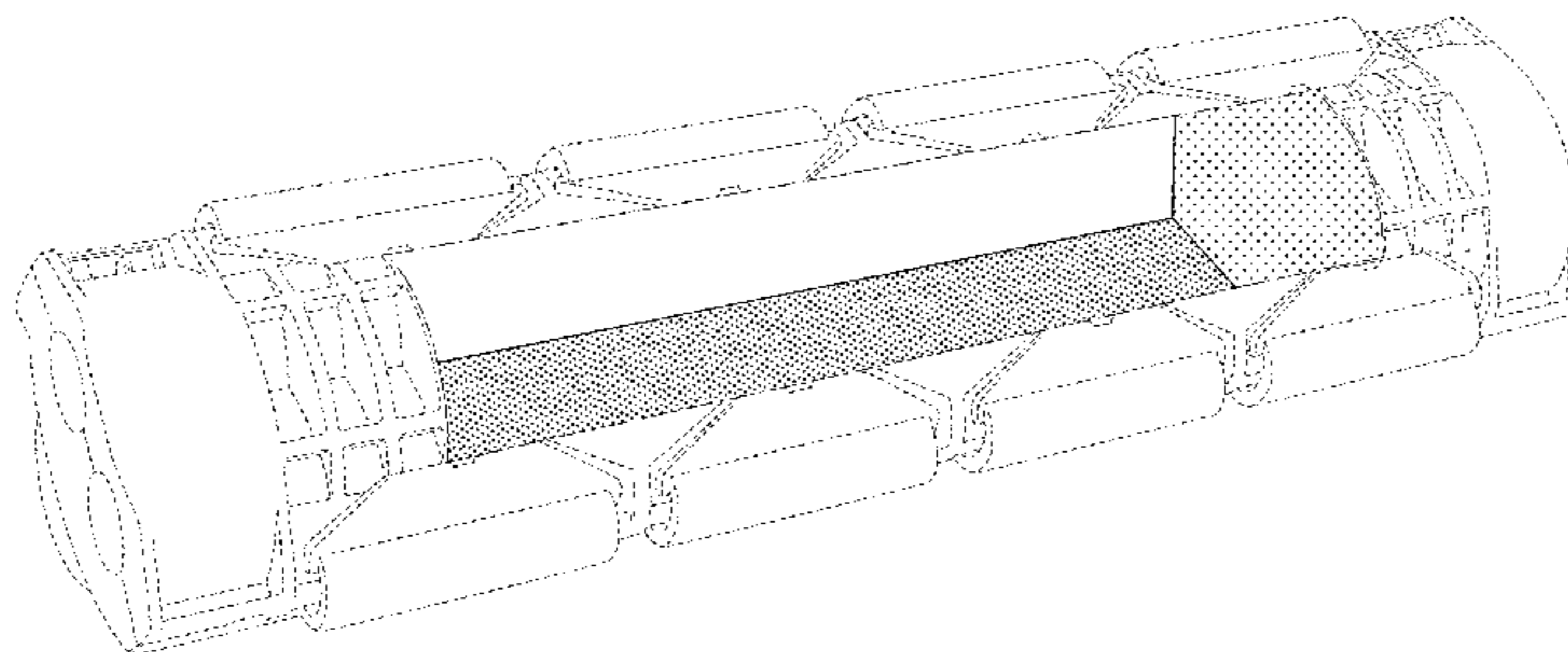
(57) **CLAIM**

The ornamental design for a telecommunications closure with surface ornamentation, as shown and described.

DESCRIPTION

FIG. 1 is a front perspective view of a telecommunications closure with surface ornamentation showing our new design; FIG. 2 is a top view thereof; FIG. 3 is a bottom view thereof; FIG. 4 is a left view thereof; FIG. 5 is a right view thereof; FIG. 6 is a front view thereof; and, FIG. 7 is a rear view thereof.
The broken lines in the drawings are included for the purpose of illustrating environmental structure and form no part of the claimed design. In FIGS. 1, 2, 6, and 7, the stippling indicates contrast in surface texture.

1 Claim, 6 Drawing Sheets



(56)

References Cited

U.S. PATENT DOCUMENTS

| | | | | |
|-----------|-----|---------|----------------------|-----------|
| 7,869,681 | B2 | 1/2011 | Bathey et al. | |
| D637,162 | S * | 5/2011 | Bridgman | D13/152 |
| D674,785 | S * | 1/2013 | Kyriakides, II | D14/240 |
| D782,536 | S * | 3/2017 | Chu | D14/203.3 |
| D795,079 | S * | 8/2017 | Wilcox | D9/703 |
| D802,415 | S * | 11/2017 | Wilcox | D9/432 |
| D815,642 | S * | 4/2018 | Wilcox | D14/441 |
| D818,952 | S * | 5/2018 | Wilcox | D13/110 |
| D821,325 | S * | 6/2018 | Duran | D13/124 |
| D824,333 | S * | 7/2018 | Wilcox | D13/133 |
| D824,335 | S * | 7/2018 | Wilcox | D13/147 |
| D824,337 | S * | 7/2018 | Wilcox | D13/147 |
| D825,466 | S * | 8/2018 | Wilcox | D13/133 |
| D825,475 | S * | 8/2018 | Henley | D13/147 |

FOREIGN PATENT DOCUMENTS

| | | | |
|----|---------|----|---------|
| EP | 2520960 | B1 | 7/2014 |
| EP | 2521230 | B1 | 7/2014 |
| EP | 2808966 | A1 | 12/2014 |
| EP | 2597744 | B1 | 1/2015 |
| EP | 2850707 | B1 | 9/2016 |

* cited by examiner

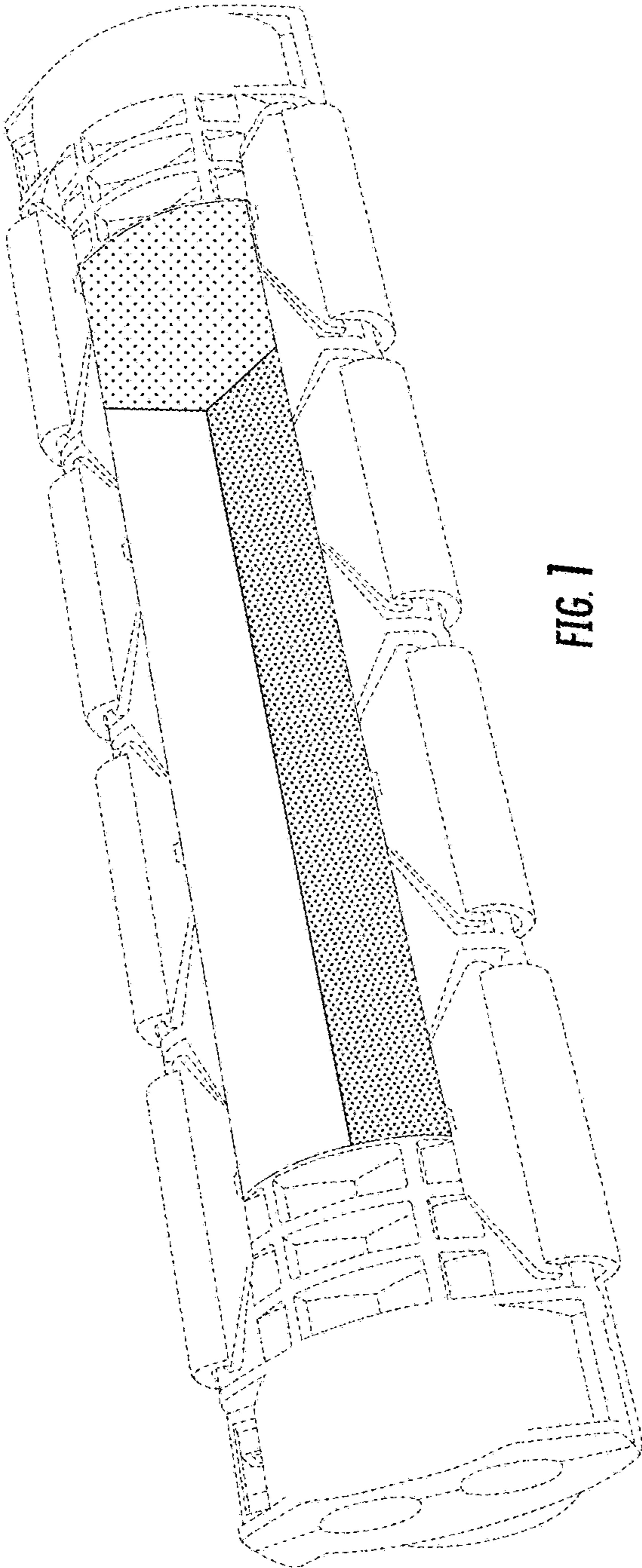


FIG. 1

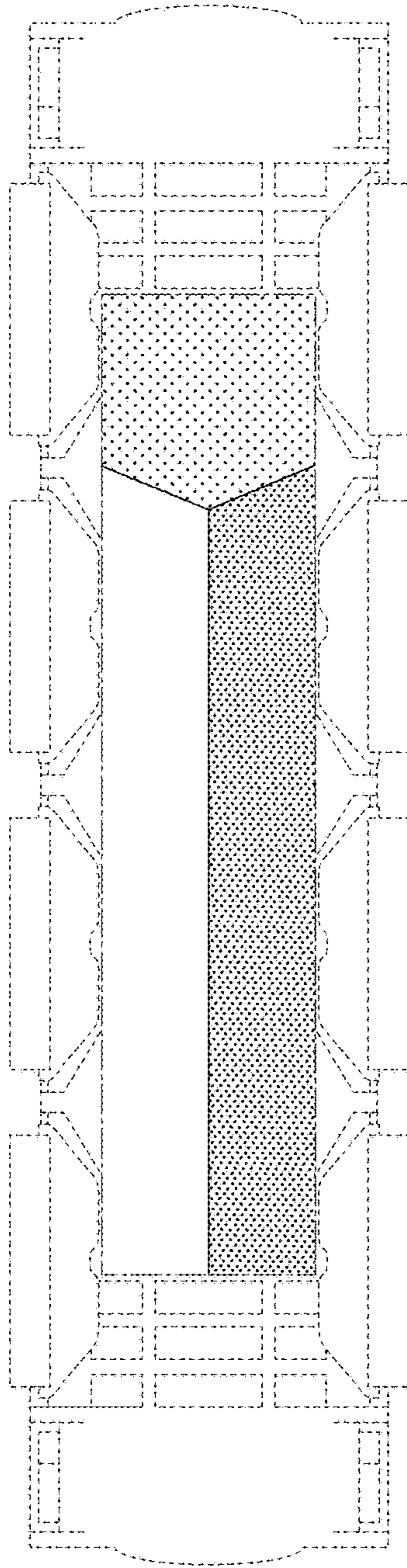


FIG. 2

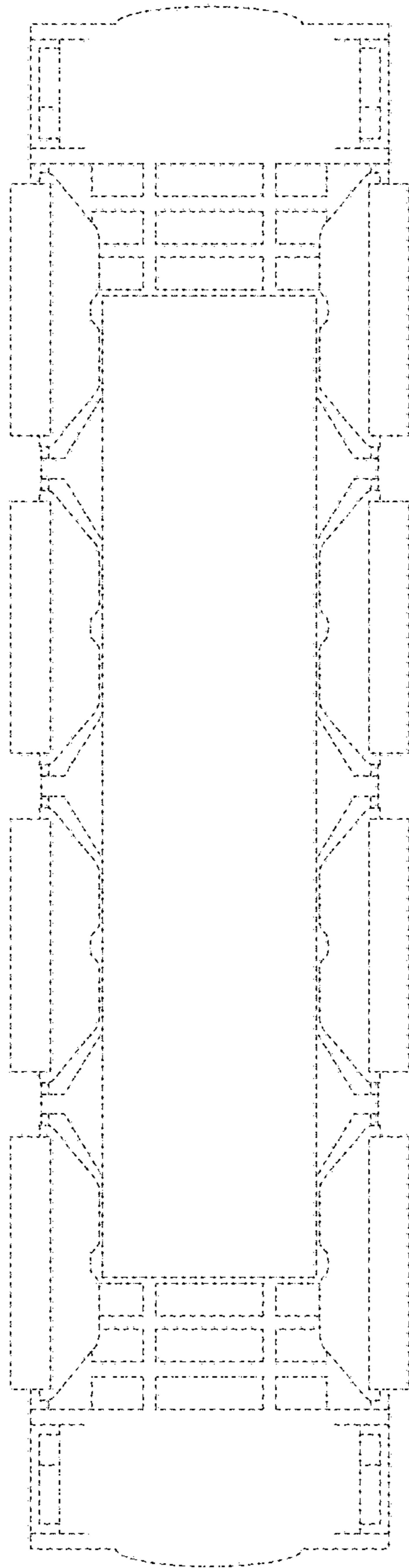


FIG. 3

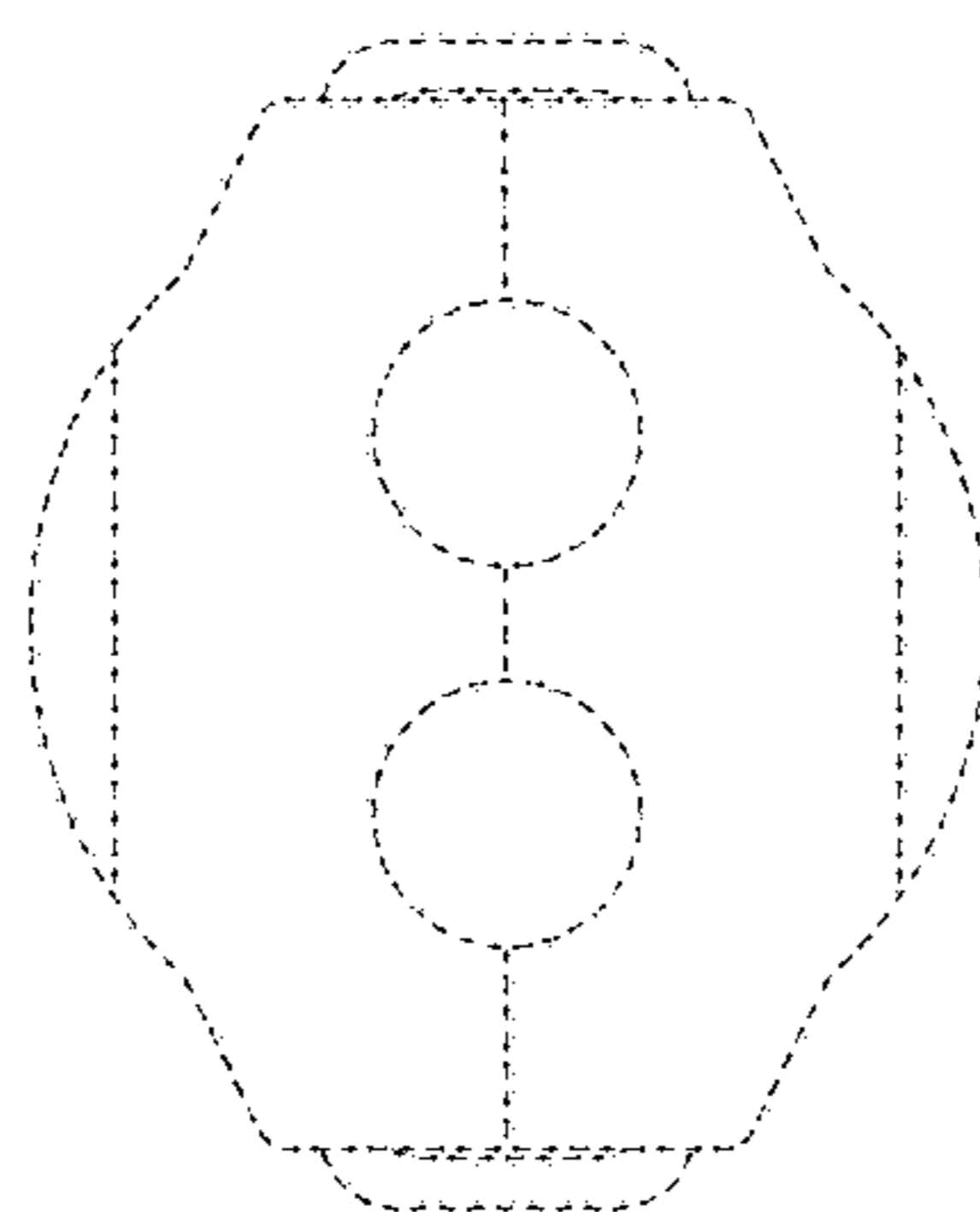


FIG. 4

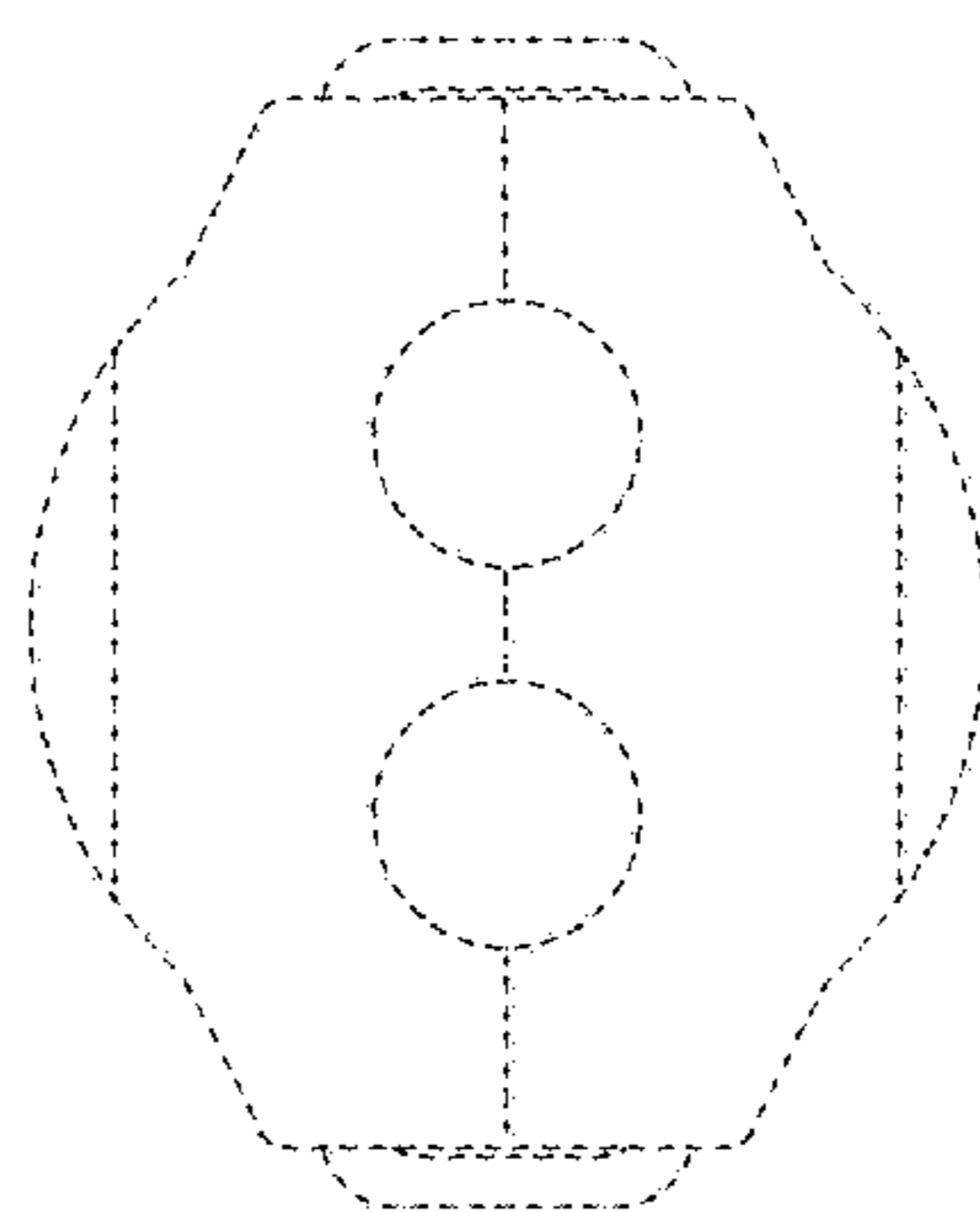


FIG. 5

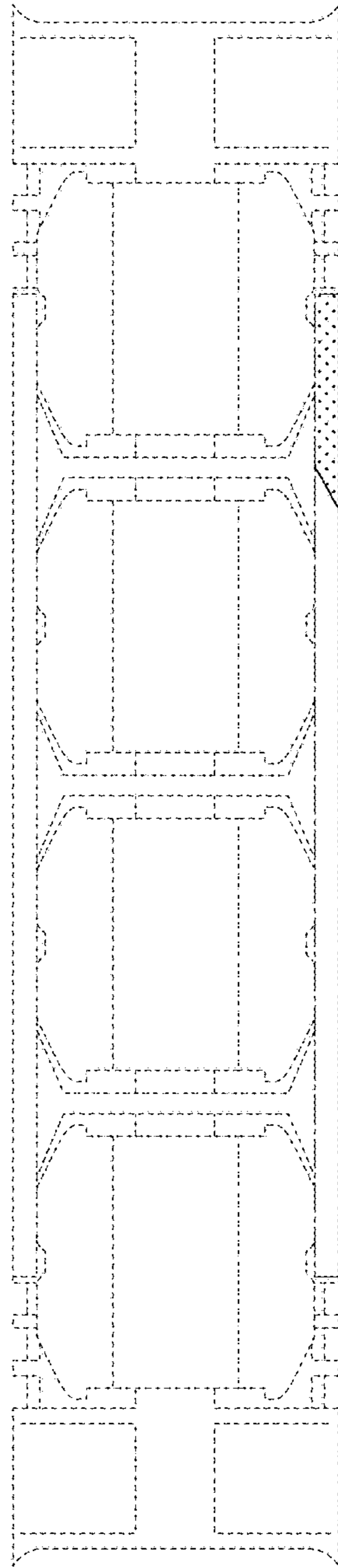


FIG. 6

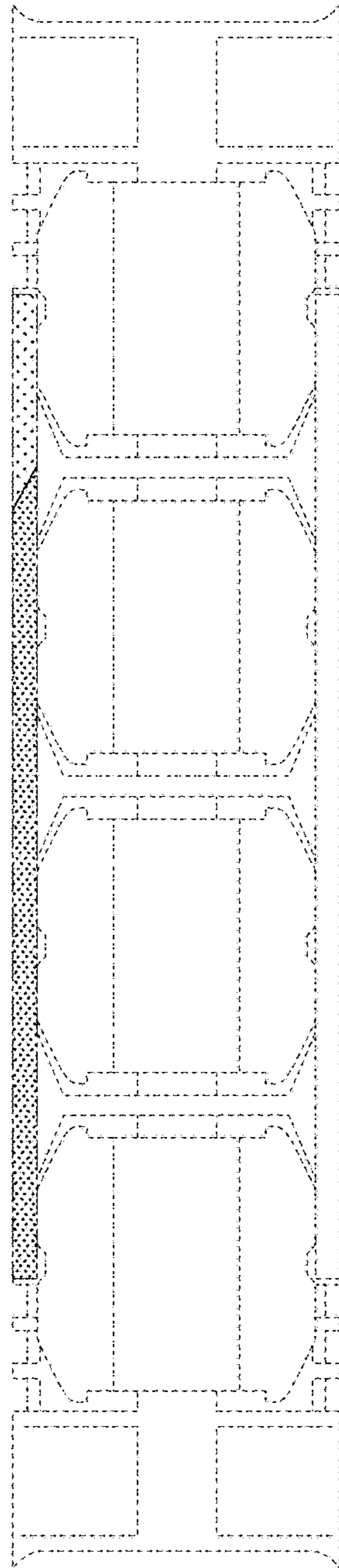


FIG. 7