



US00D960113S

(12) **United States Design Patent** (10) **Patent No.:** **US D960,113 S**
Restrepo et al. (45) **Date of Patent:** **** Aug. 9, 2022**

(54) **CONDUIT STRAP**

(71) Applicant: **Halex/Scott Fetzer Company**,
Harrison, OH (US)

(72) Inventors: **Daniel Felipe Restrepo**, Cincinnati, OH
(US); **David Vaughn McElveen, II**,
Cincinnati, OH (US)

(73) Assignee: **Halex/Scott Fetzer Company**,
Harrison, OH (US)

(**) Term: **15 Years**

(21) Appl. No.: **29/712,101**

(22) Filed: **Nov. 5, 2019**

(51) **LOC (13) Cl.** **13-03**

(52) **U.S. Cl.**
USPC **D13/155**

(58) **Field of Classification Search**
USPC D13/123, 133, 139.1, 139.2, 139.4, 152,
D13/154, 155, 156, 158, 184; D8/354,
D8/396

See application file for complete search history.

(56) **References Cited**

U.S. PATENT DOCUMENTS

1,476,836 A	12/1923	Pleister	
1,595,728 A *	8/1926	Pleister F16L 3/23 248/69
2,310,434 A *	2/1943	Hyman F16L 3/04 248/71

(Continued)

FOREIGN PATENT DOCUMENTS

WO 2010082818 7/2010

Primary Examiner — Jennifer O King
(74) *Attorney, Agent, or Firm* — Fitch, Even, Tabin &
Flannery LLP

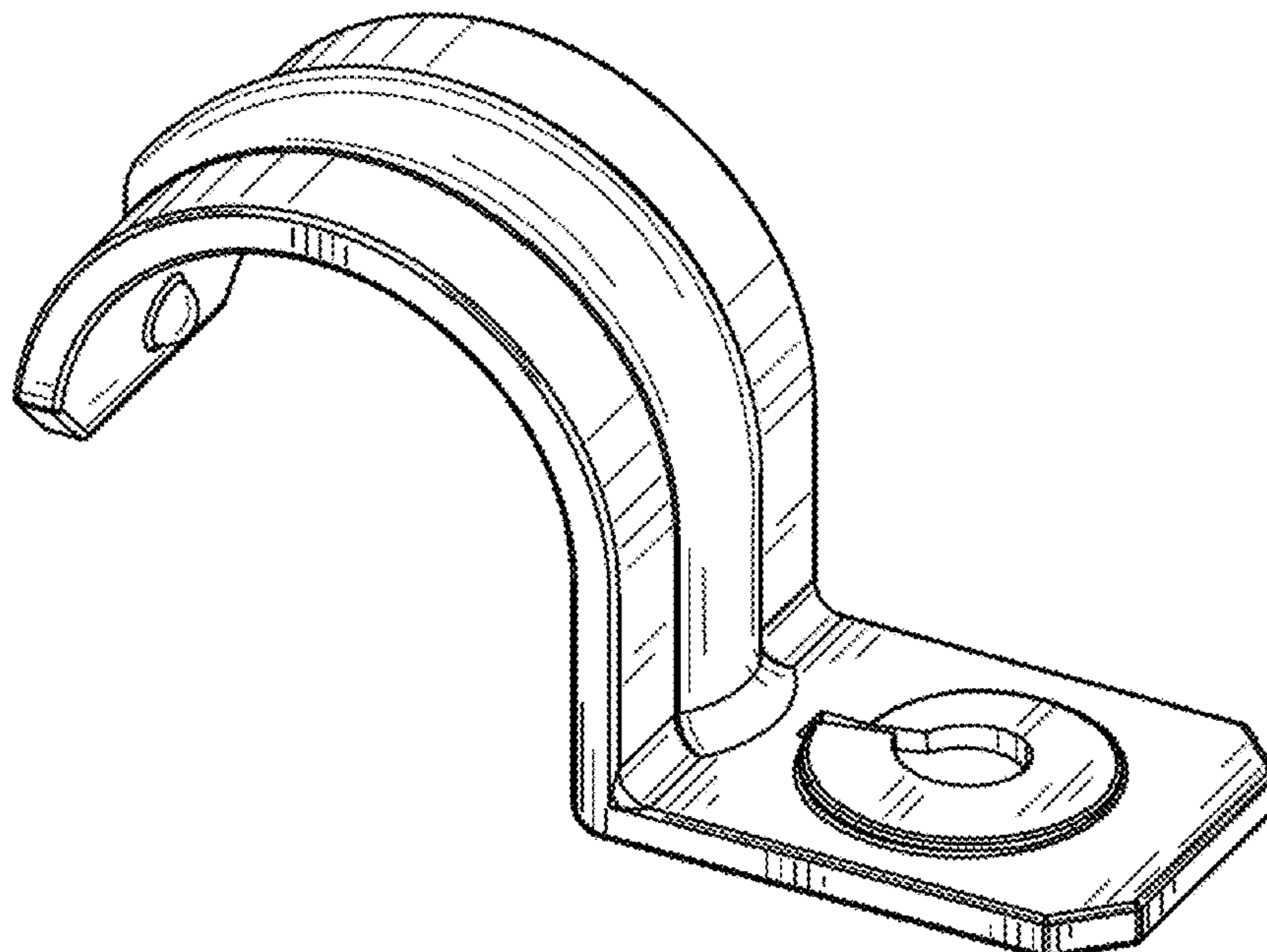
(57) **CLAIM**

We claim the ornamental design for a conduit strap, as shown and described.

DESCRIPTION

FIG. 1 is a top perspective view of a conduit strap;
 FIG. 2 is a left side elevation view thereof;
 FIG. 3 is a right side elevation view thereof;
 FIG. 4 is a front elevation view thereof;
 FIG. 5 is a rear elevation view thereof;
 FIG. 6 is a top plan view thereof;
 FIG. 7 is a bottom plan view thereof;
 FIG. 8 is a bottom perspective view thereof;
 FIG. 9 is a top perspective view thereof, shown in use;
 FIG. 10 is a bottom perspective view thereof, shown in use;
 FIG. 11 is a another top perspective view thereof, shown in use; and,
 FIG. 12 is a left side elevation view thereof, shown in use.
 FIG. 13 top perspective view of a second embodiment of a conduit strap;
 FIG. 14 is a left side elevation view thereof;
 FIG. 15 is a right side elevation view thereof;
 FIG. 16 is a front elevation view thereof;
 FIG. 17 is a rear elevation view thereof;
 FIG. 18 is a top plan view thereof;
 FIG. 19 is a bottom plan view thereof;
 FIG. 20 is a bottom perspective view thereof;
 FIG. 21 is a top perspective view thereof, shown in use; and,
 FIG. 22 is a bottom perspective view thereof, shown in use.
 The broken lines shown in FIGS. 9-12 display a fastener and a work surface that form no part of the claimed design. The additional broken lines shown in FIGS. 13-22 display portions of the conduit strap that form no part of the claimed design.

1 Claim, 16 Drawing Sheets



(56)

References Cited

U.S. PATENT DOCUMENTS

2,550,001	A	4/1951	Button	
2,681,196	A	6/1954	Lind	
2,961,211	A	11/1960	Emery	
3,016,220	A *	1/1962	Rose	F16L 3/13 248/74.5
3,185,420	A *	5/1965	Stewart	F16L 3/04 248/74.5
3,232,569	A	2/1966	Deardorf	
3,243,151	A	3/1966	Varney	
3,430,905	A	3/1969	Pepe	
3,802,655	A	4/1974	Schuplin	
4,141,107	A	2/1979	Sheiman	
4,370,082	A	1/1983	Sundberg	
5,669,589	A	9/1997	Janssen	
5,897,082	A *	4/1999	Losada	F16L 3/04 248/65
6,010,100	A	1/2000	Merritt	
D438,093	S *	2/2001	Mandujano	D8/396
7,014,493	B1 *	3/2006	Battard	H01R 13/6395 439/371
7,559,512	B1	7/2009	diGirolamo	
D610,901	S *	3/2010	Jones	D8/394
7,770,851	B2	8/2010	Michaud	
D644,613	S *	9/2011	Kiely	D13/155
8,033,512	B2	10/2011	Lien	
8,413,933	B2	4/2013	Benne	
8,882,059	B2	11/2014	Schmidt	
D742,213	S *	11/2015	Sasanecki	D8/396
10,125,897	B2	11/2018	Schmidt	
D918,145	S *	5/2021	Varjabedian	D13/118
2004/0206856	A1	10/2004	Cordero	
2010/0260573	A1	10/2010	Gardner	

* cited by examiner

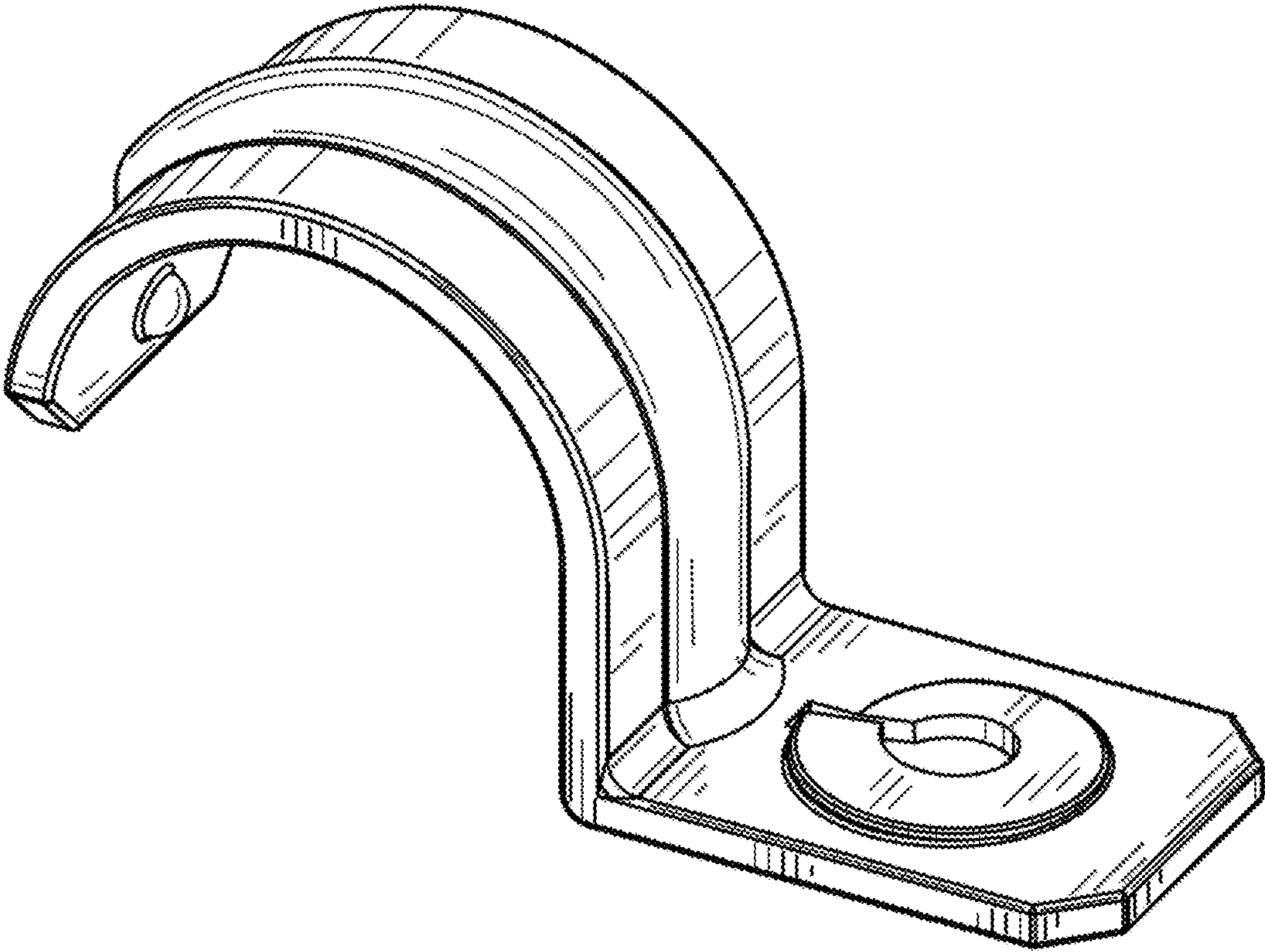


FIG. 1

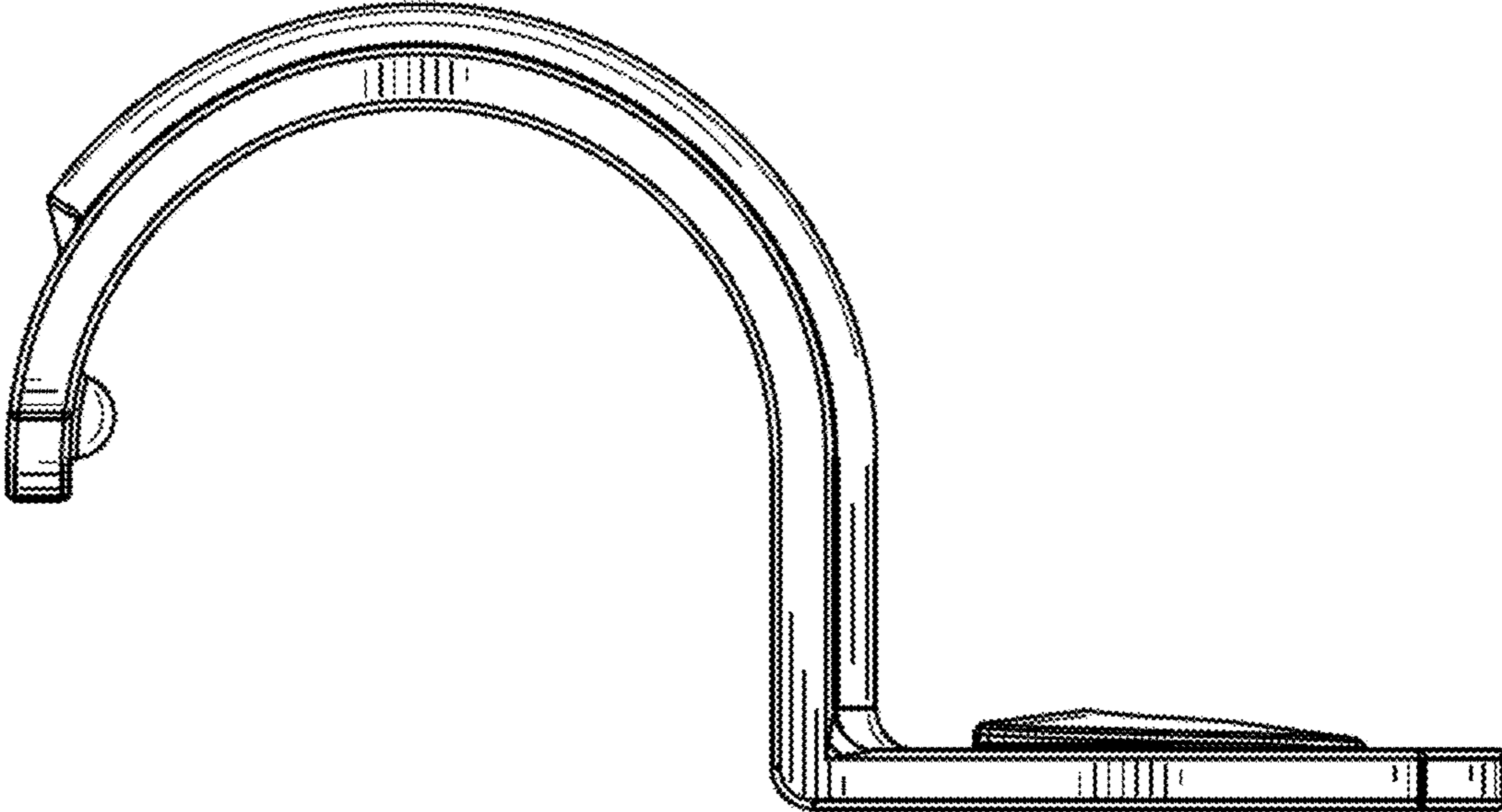


FIG. 2

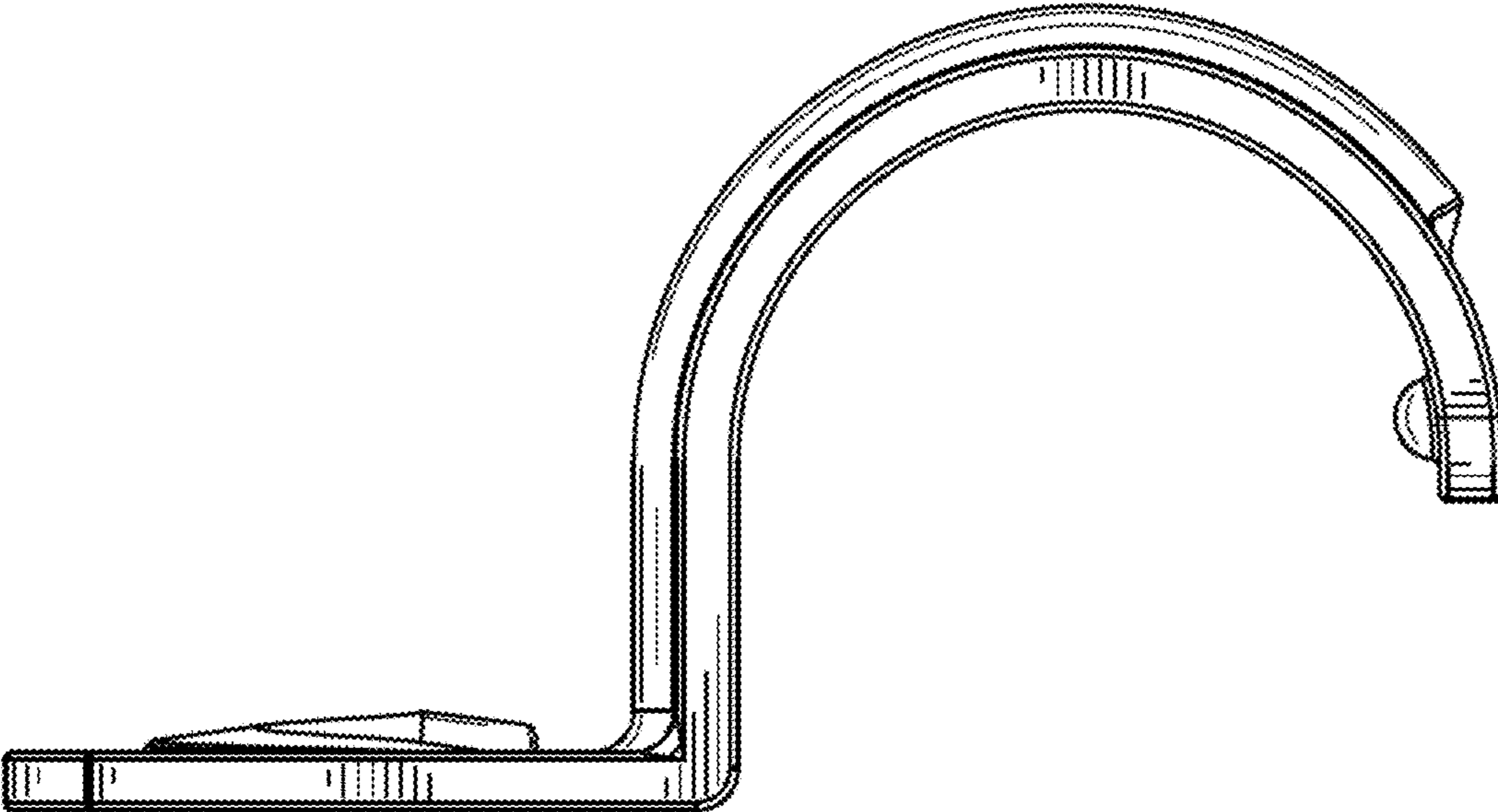


FIG. 3

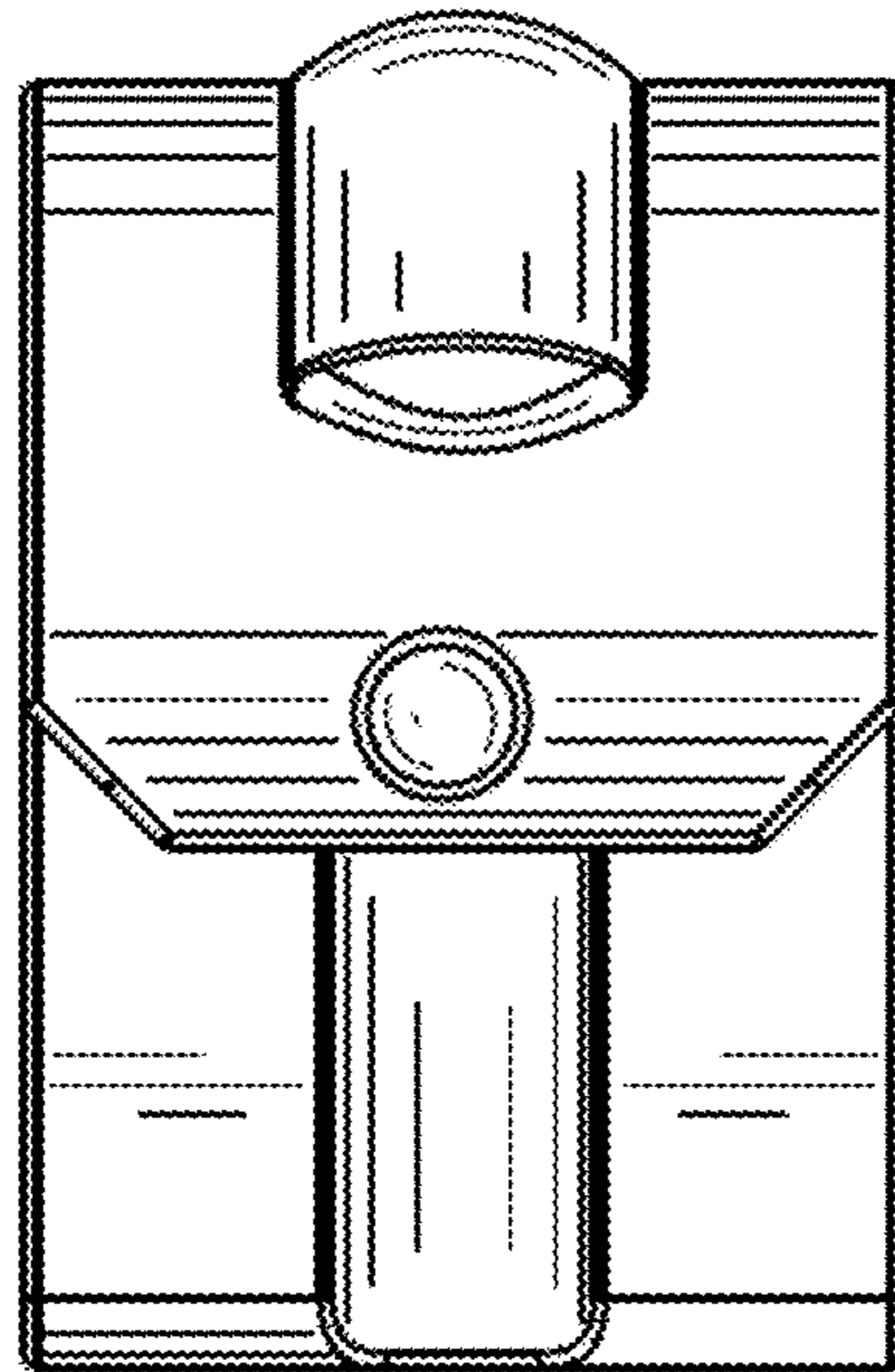


FIG. 4

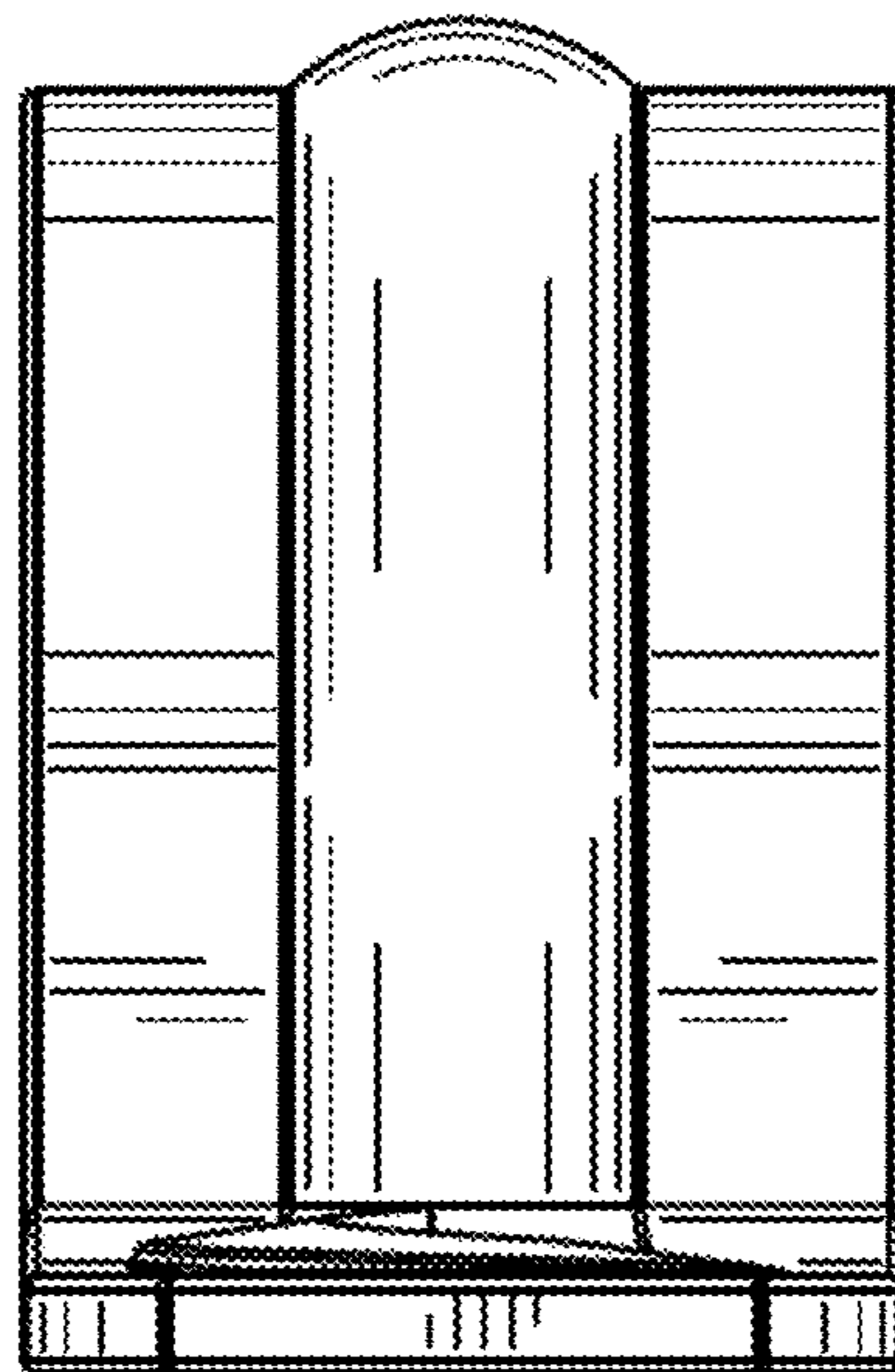


FIG. 5

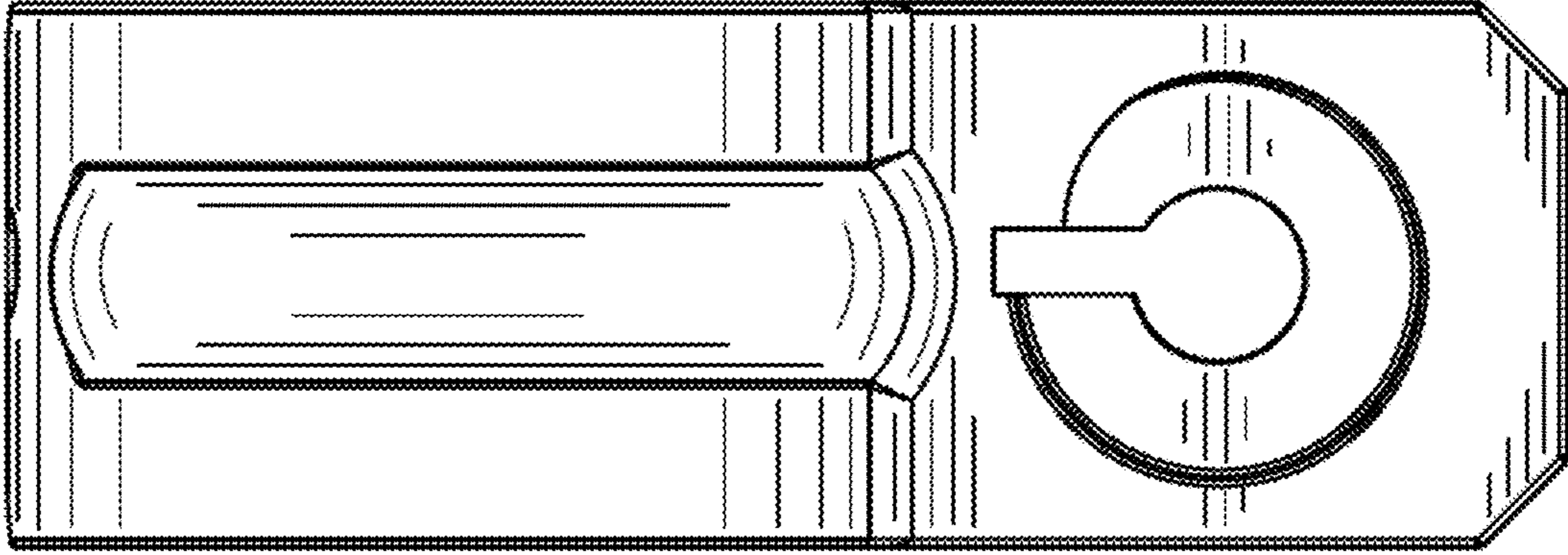


FIG. 6

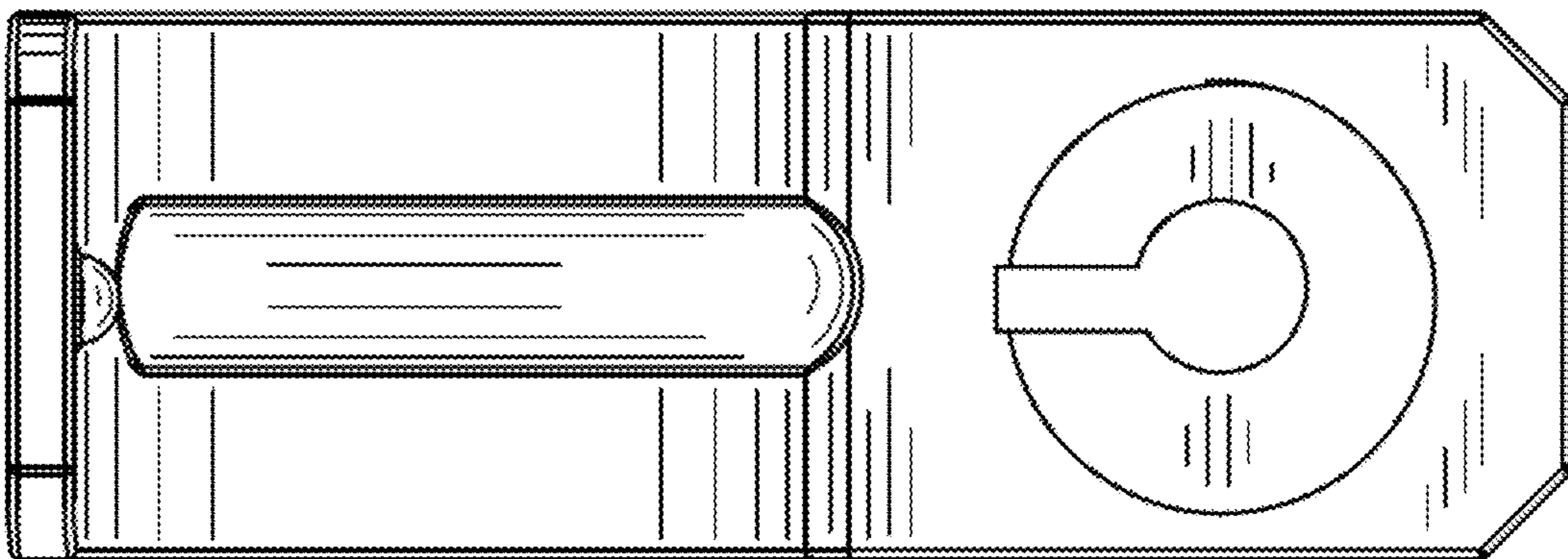


FIG. 7

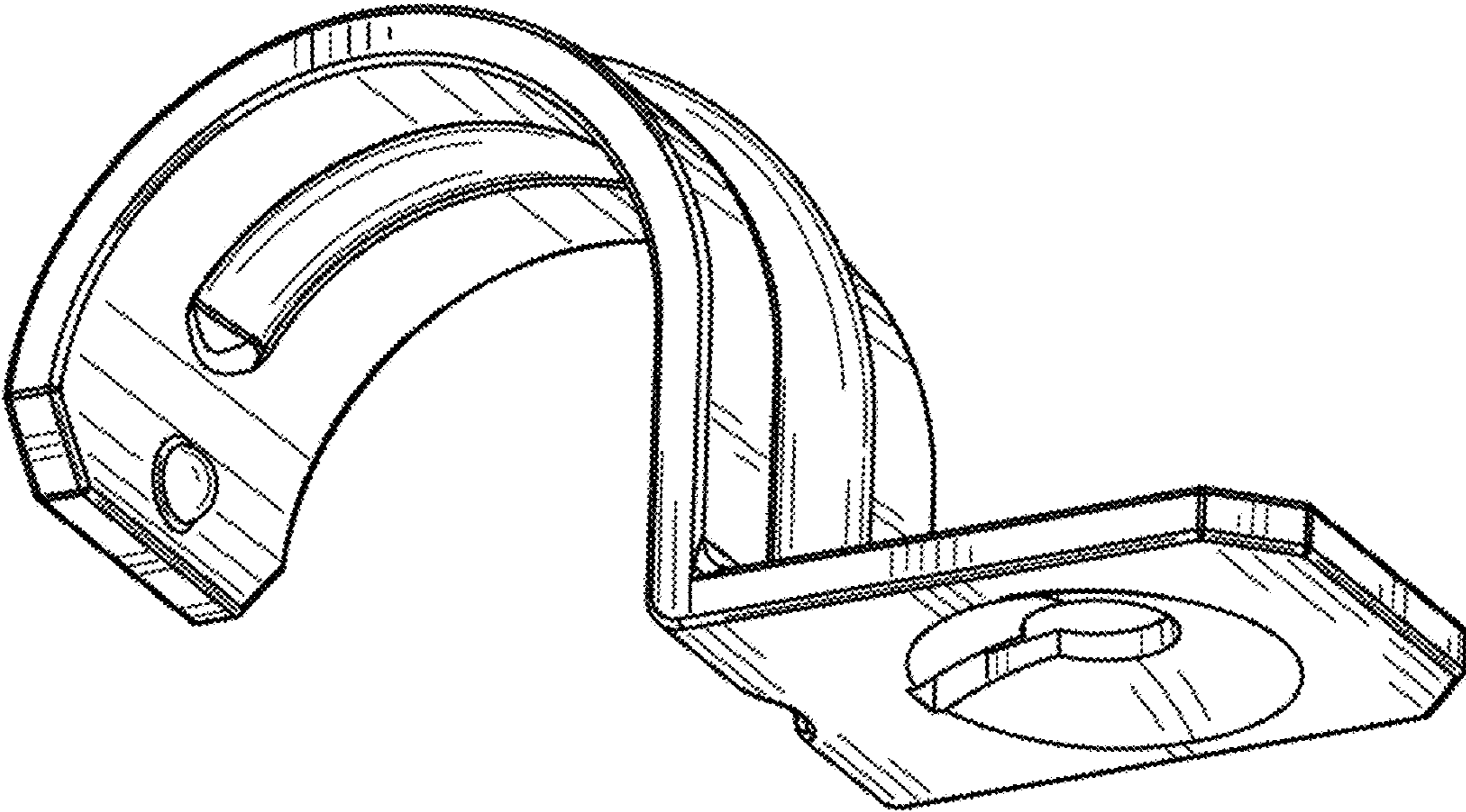


FIG. 8

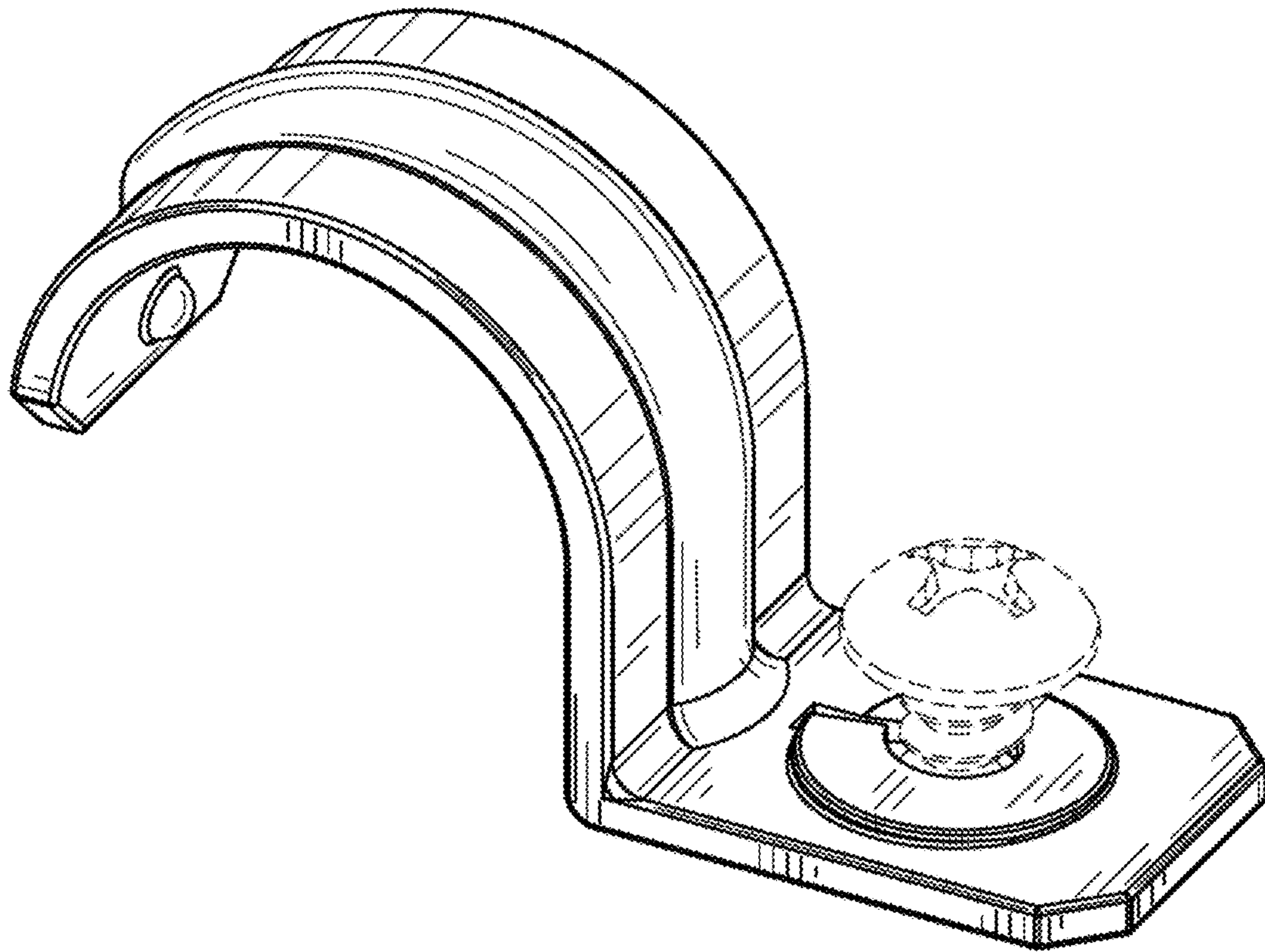


FIG. 9

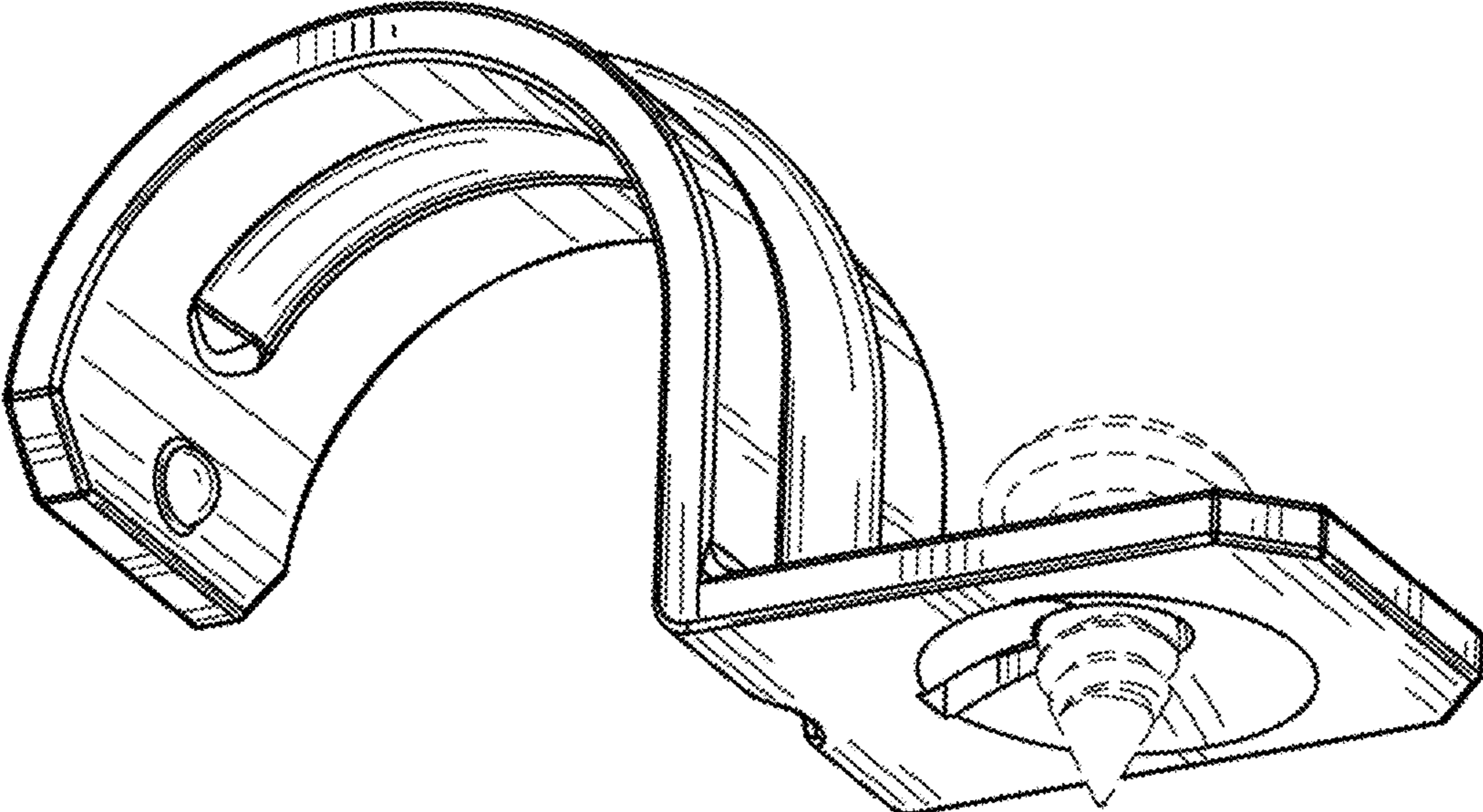


FIG. 10

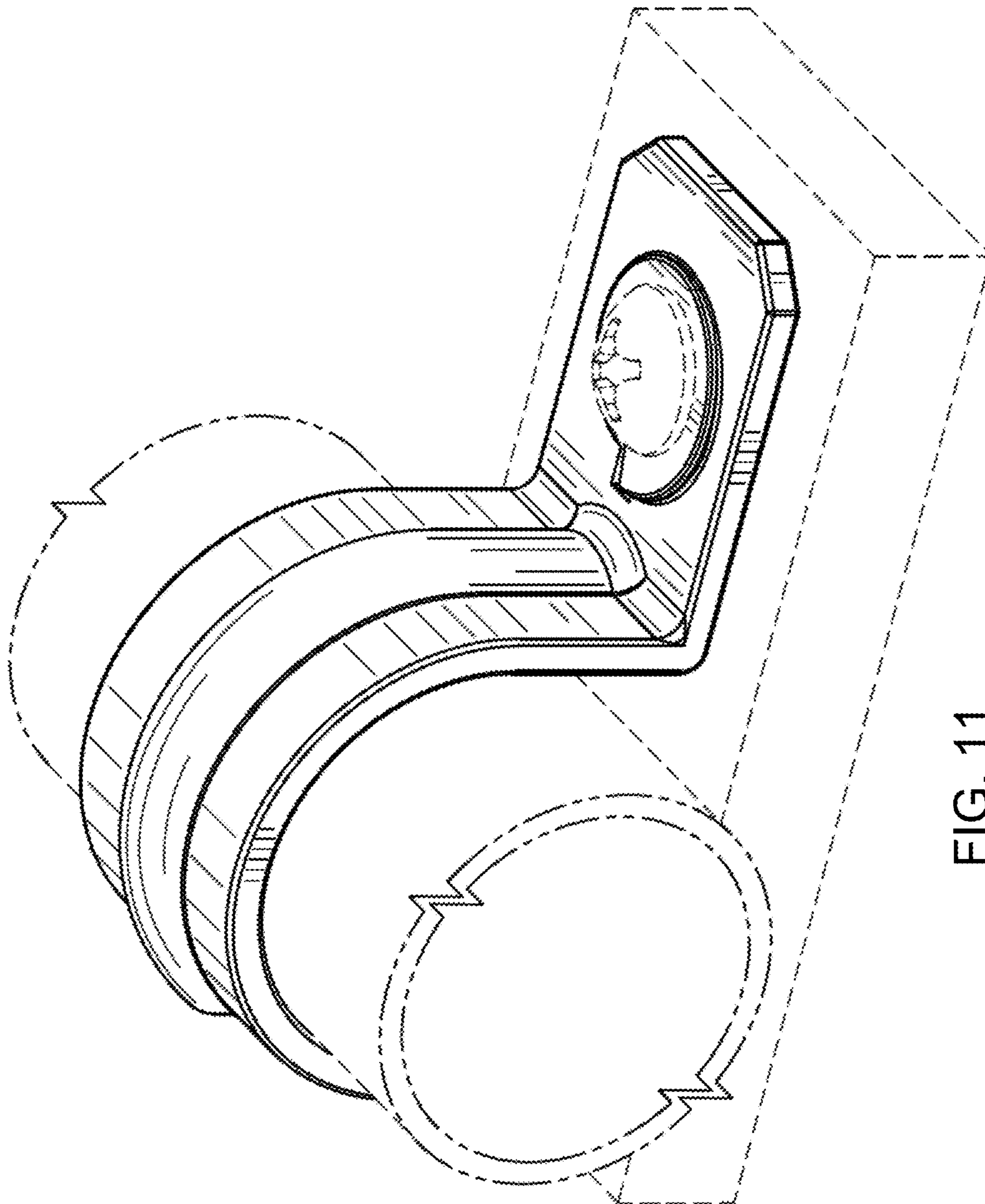


FIG. 11

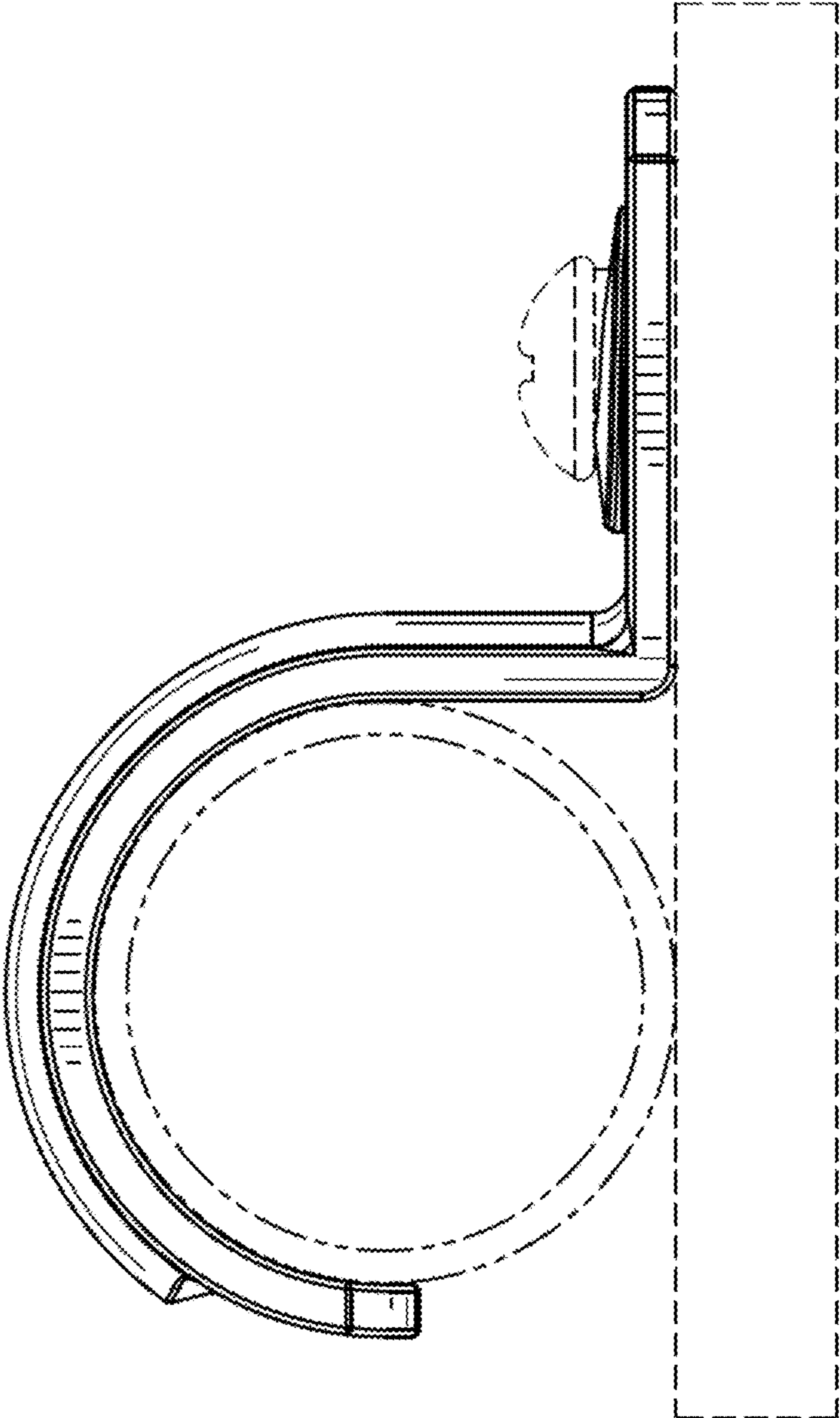


FIG. 12

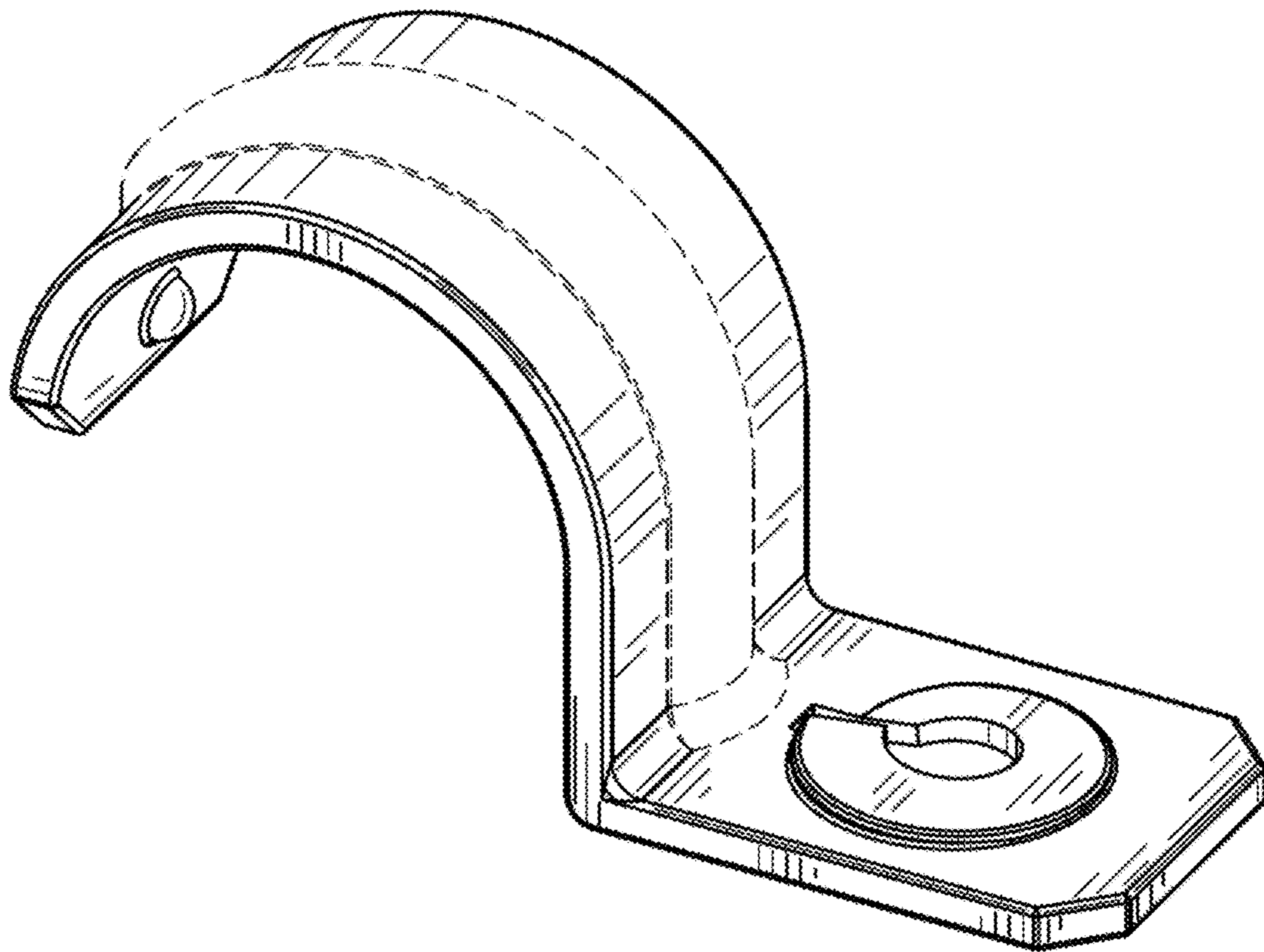


FIG. 13

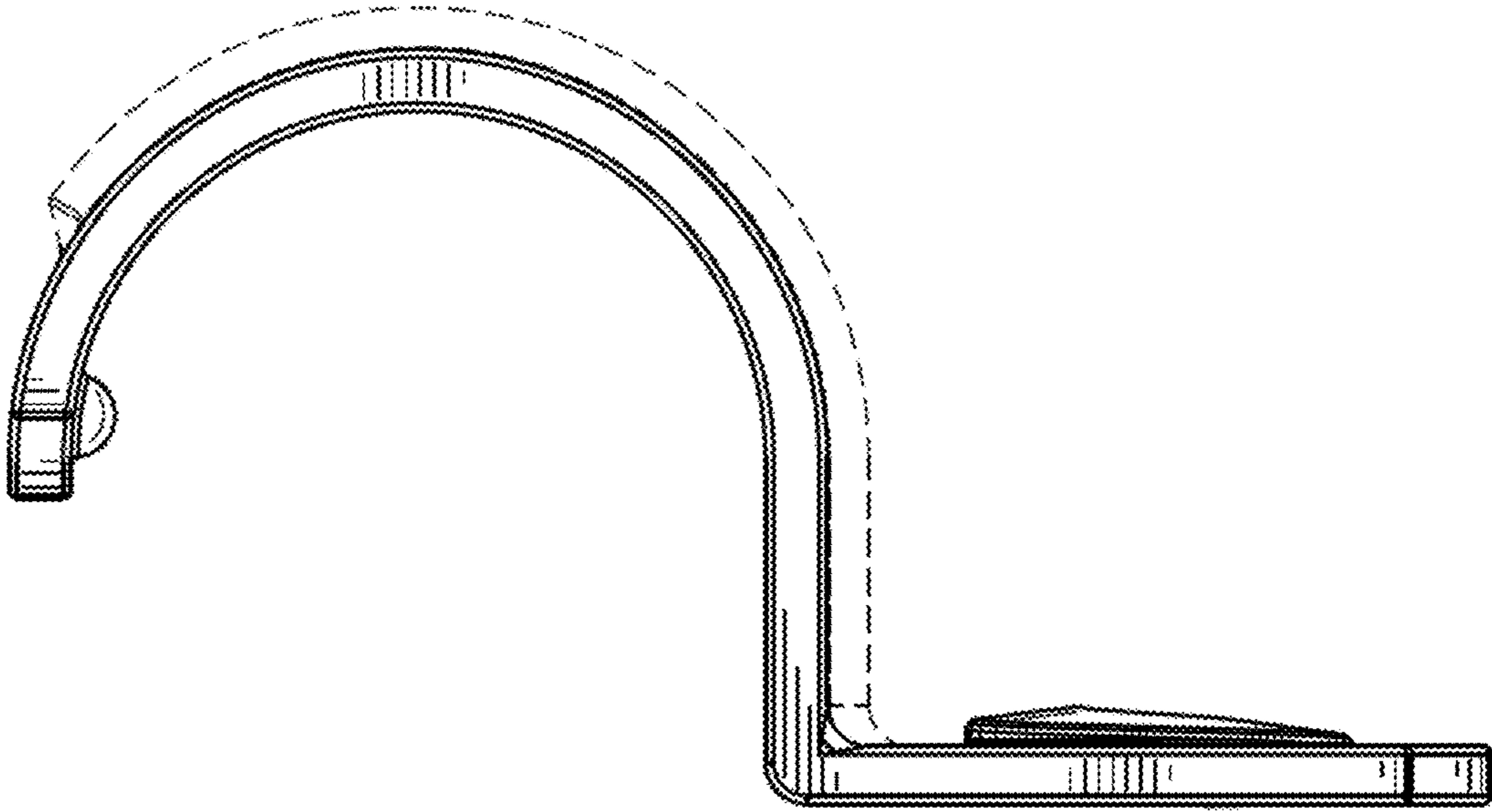


FIG. 14

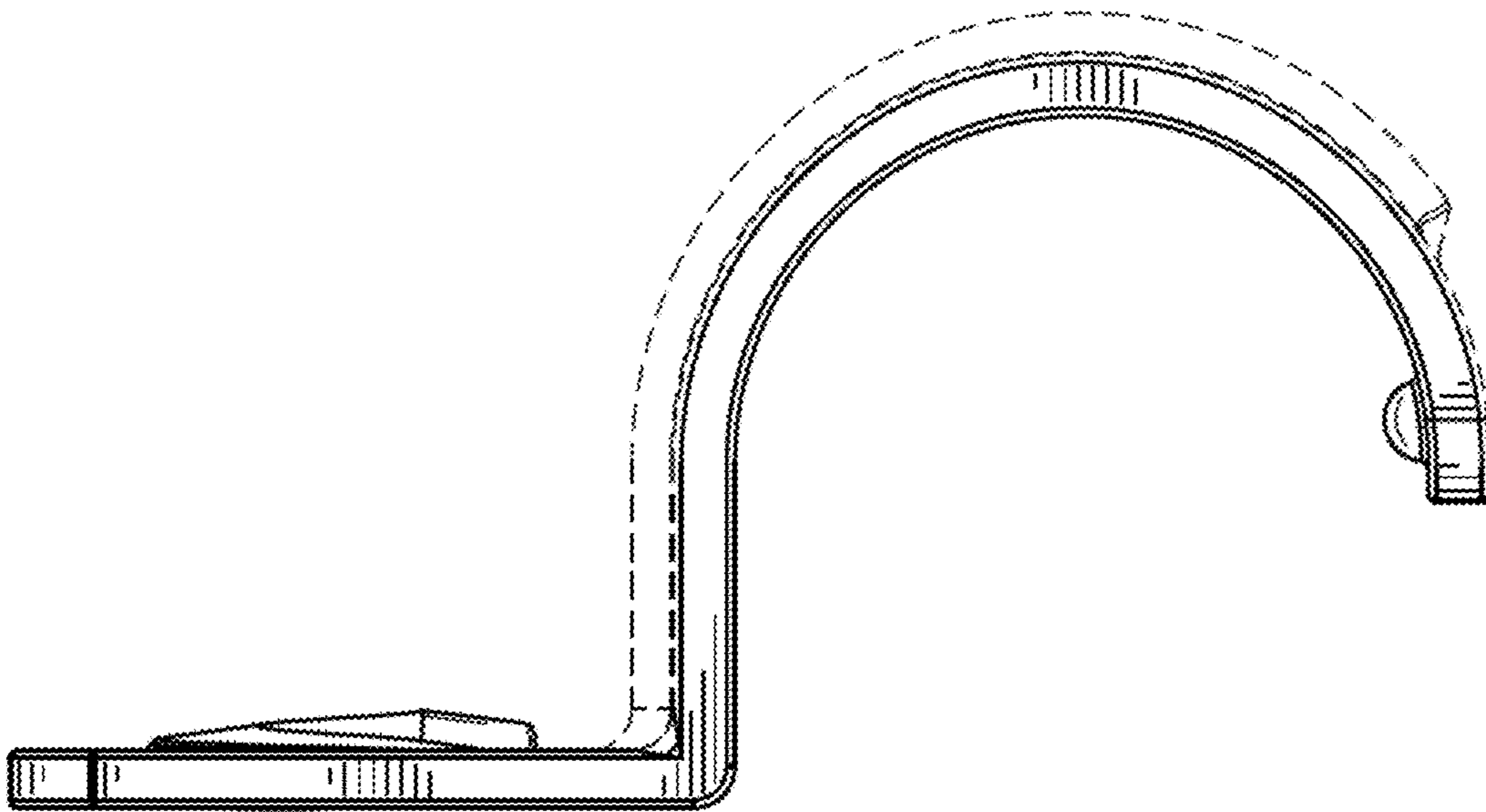


FIG. 15

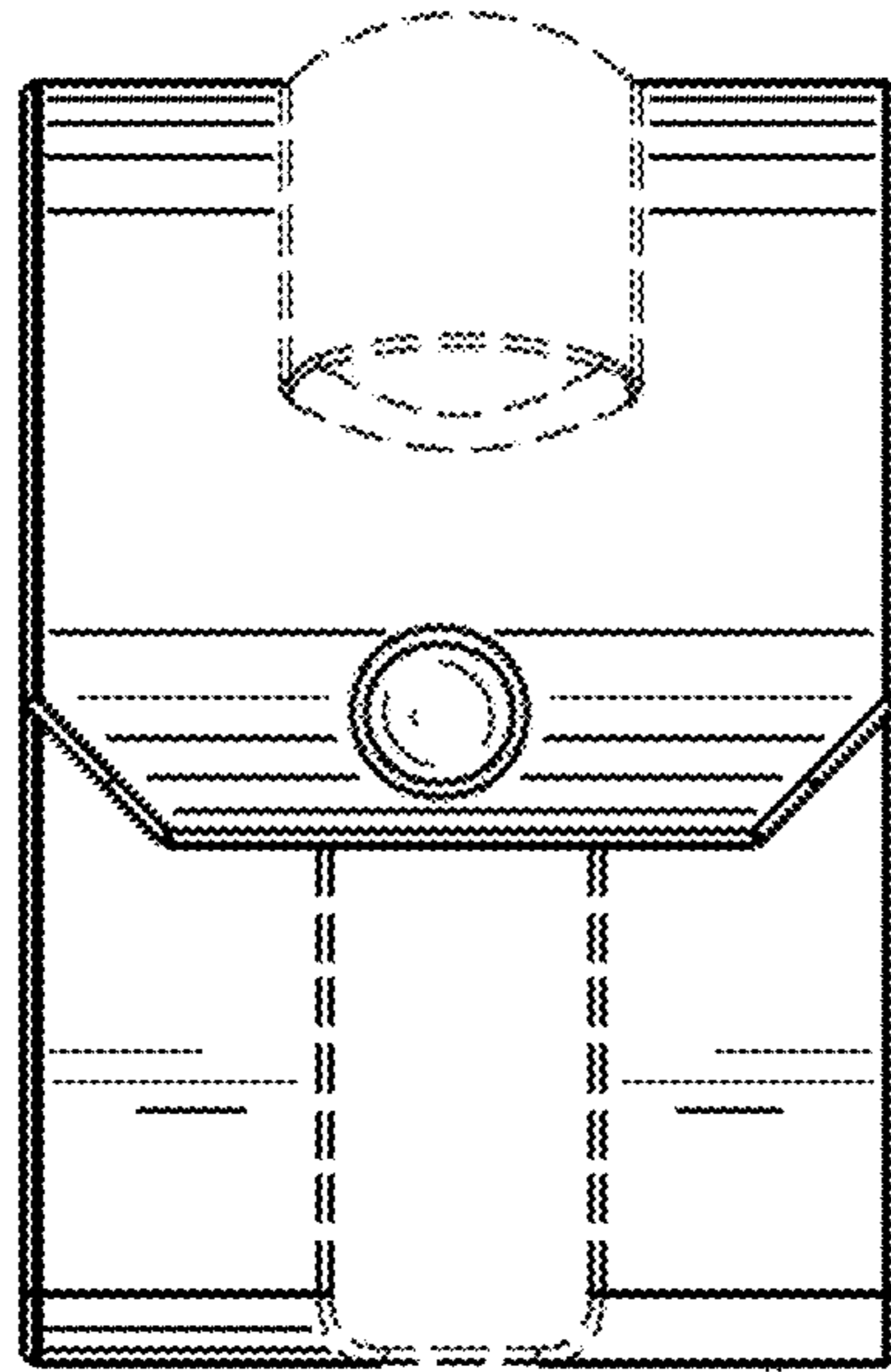


FIG. 16

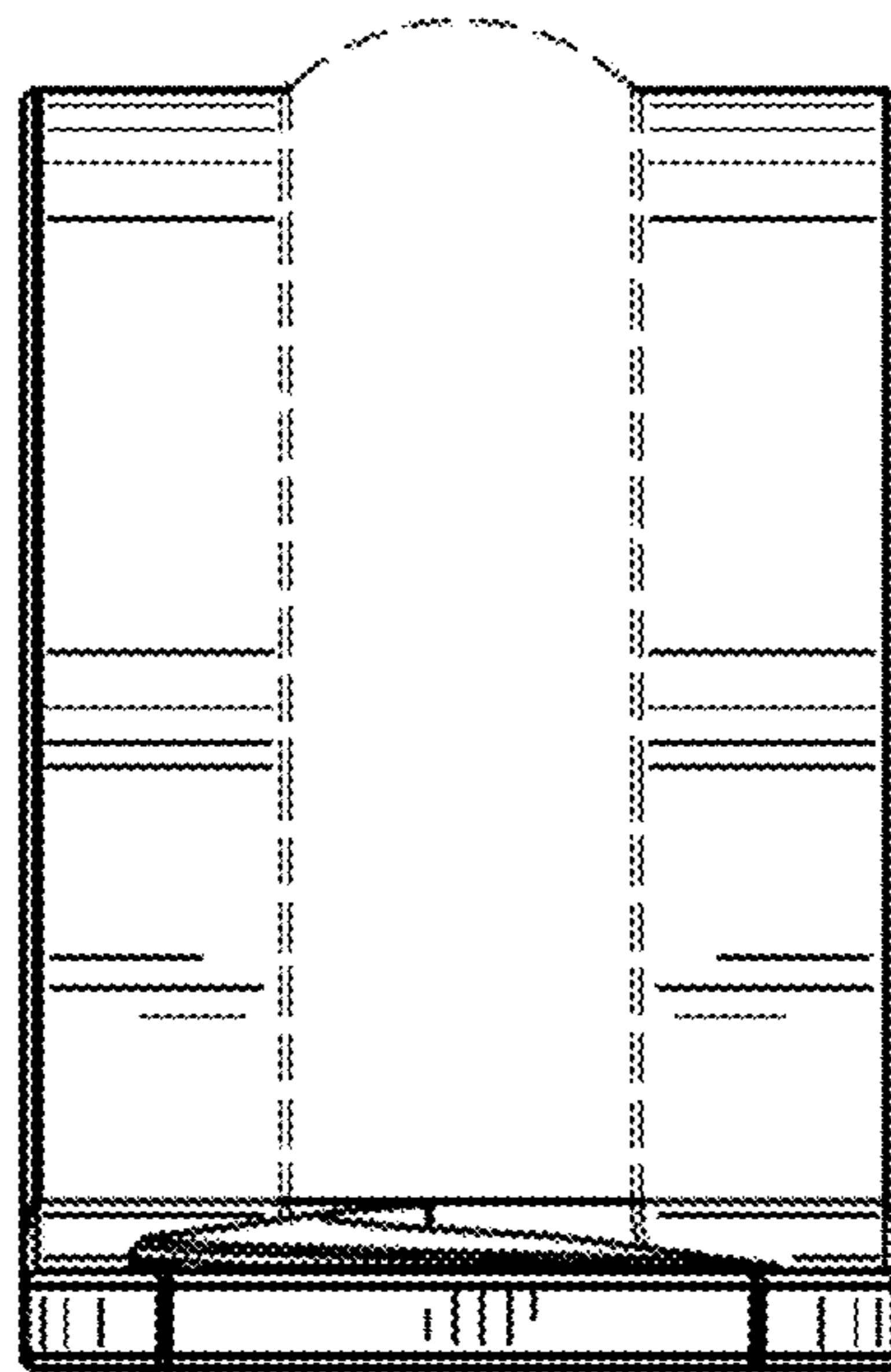


FIG. 17

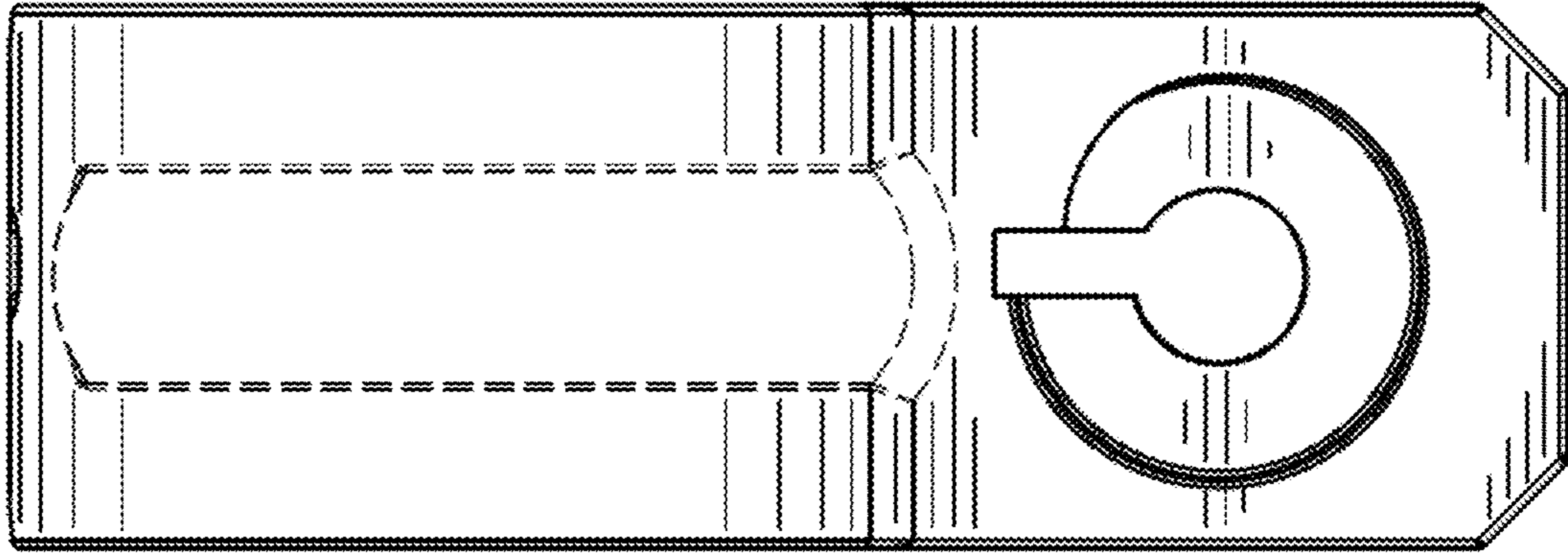


FIG. 18

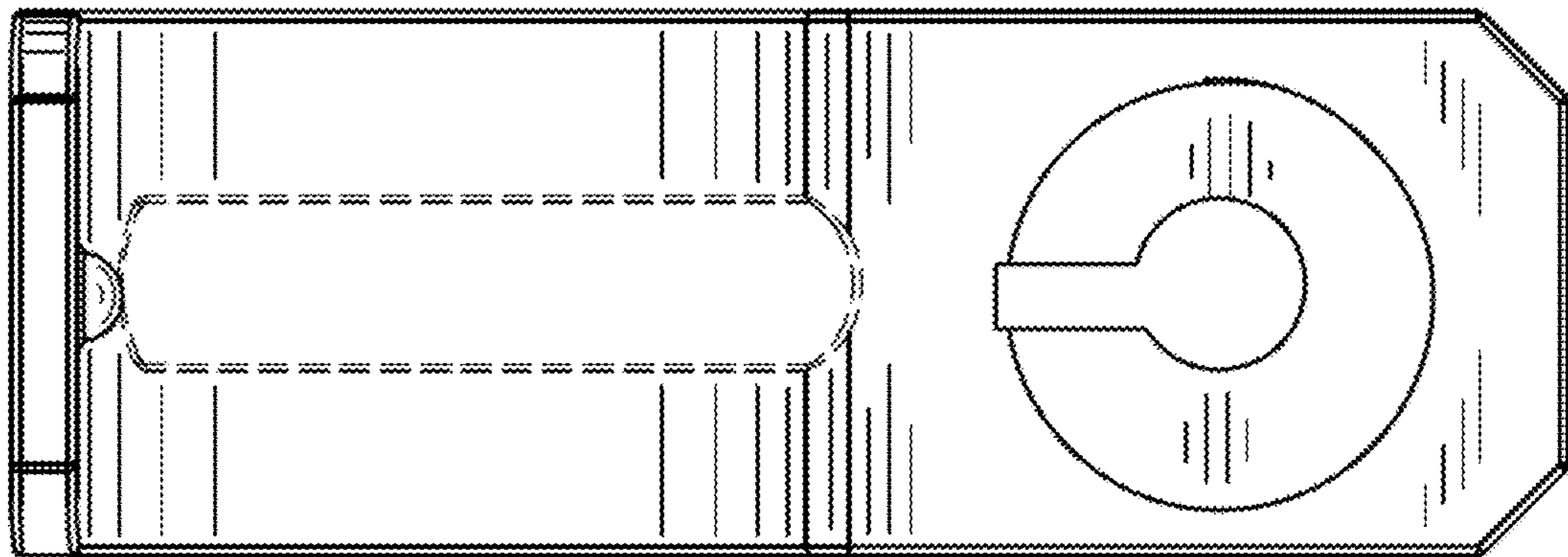


FIG. 19

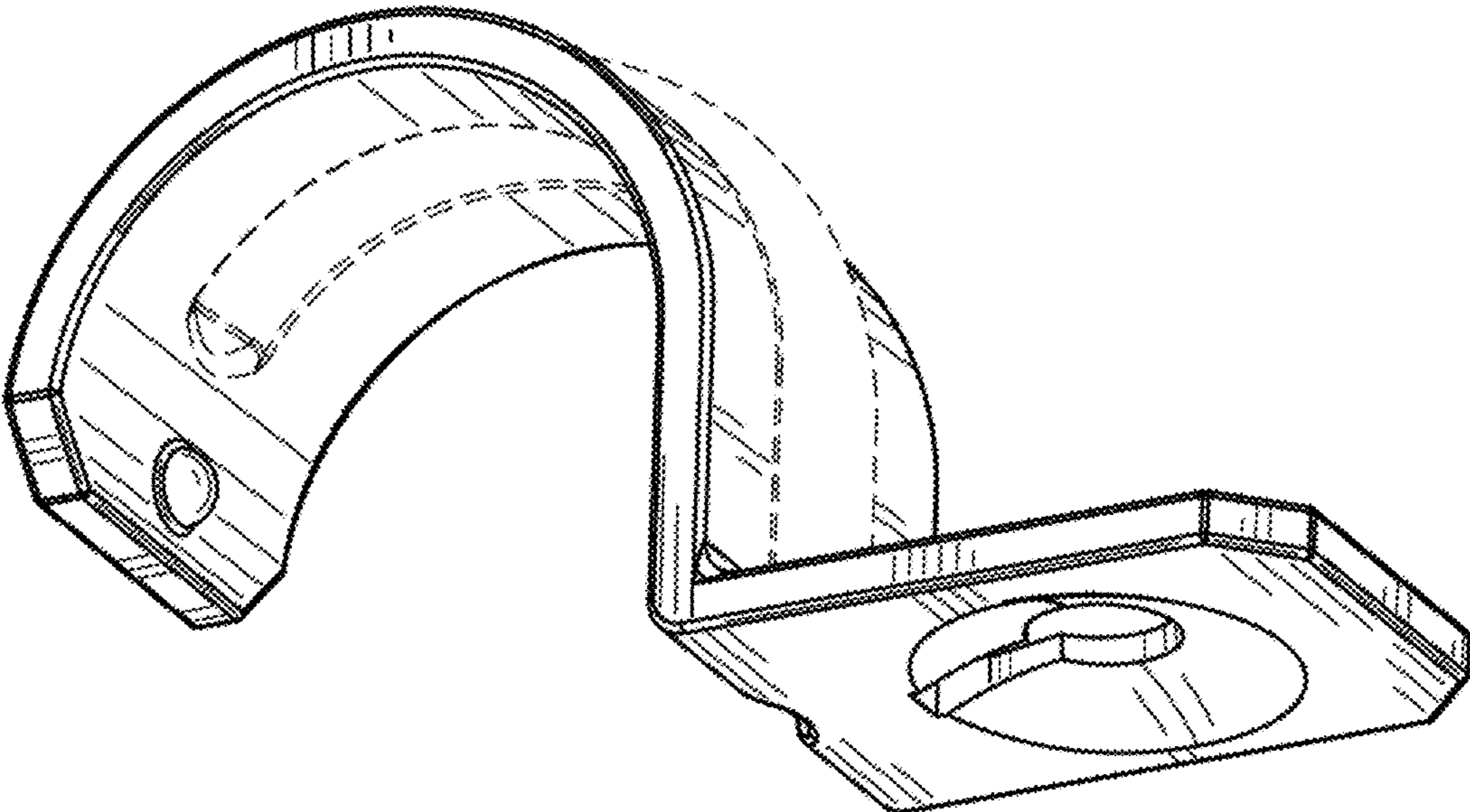


FIG. 20

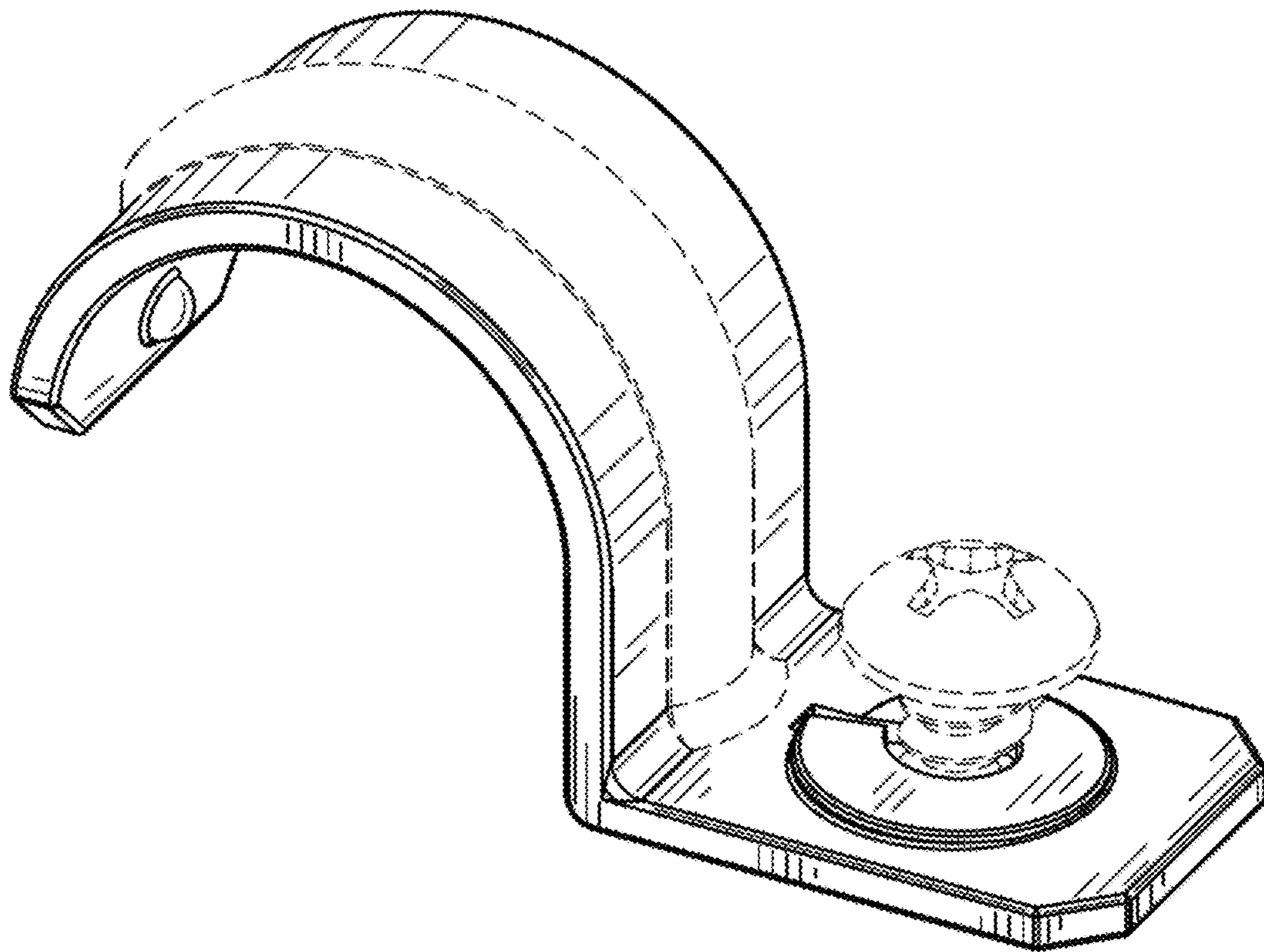


FIG. 21

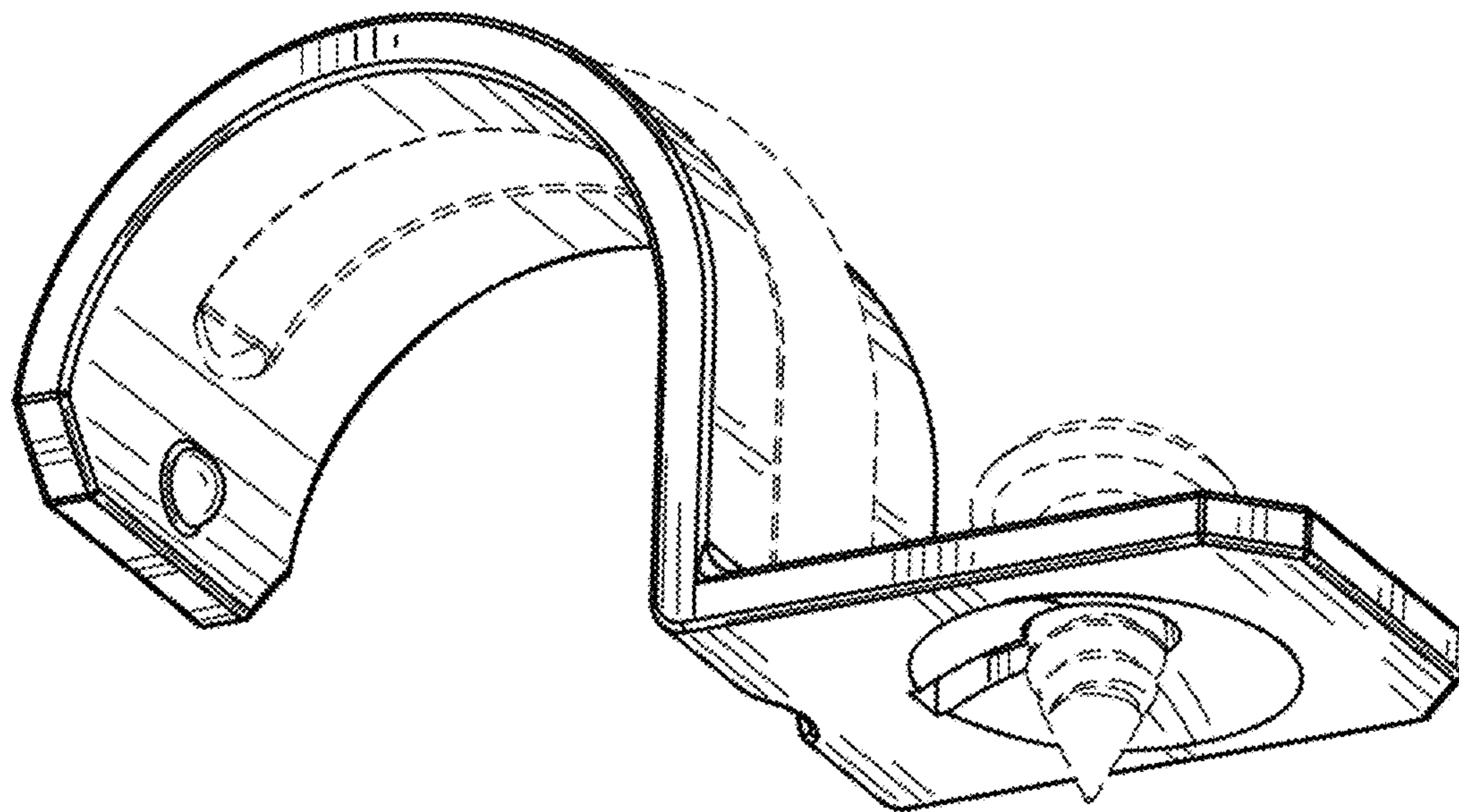


FIG. 22