



US00D960111S

(12) **United States Design Patent**
Krivonak et al.

(10) **Patent No.:** **US D960,111 S**

(45) **Date of Patent:** **** Aug. 9, 2022**

(54) **RECTIFIER BUSBAR**

(71) Applicant: **Transportation IP Holdings, LLC,**
Norwalk, CT (US)

(72) Inventors: **Andrew Louis Krivonak,** Erie, PA
(US); **Henry Todd Young,** Erie, PA
(US); **Jason Kuttenkuler,** Erie, PA
(US); **Mark Murphy,** Erie, PA (US)

(73) Assignee: **TRANSPORTATION IP HOLDINGS,**
LLC, Norwalk, CT (US)

(**) Term: **15 Years**

(21) Appl. No.: **29/725,497**

(22) Filed: **Feb. 25, 2020**

(51) **LOC (13) Cl.** **13-03**

(52) **U.S. Cl.**
USPC **D13/154**

(58) **Field of Classification Search**
USPC D13/101, 110, 118, 123, 133, 146, 147,
D13/154, 184, 199

CPC H02M 7/003; H02M 7/44; H01B 5/02;
H02B 1/20; H02B 1/21; H02B 1/22;
H01M 10/02; H01R 9/24; H01R 9/26;
H01R 25/14; H01R 25/16; B60R 16/02;
B60R 16/03

See application file for complete search history.

(56) **References Cited**

U.S. PATENT DOCUMENTS

D556,686	S	*	12/2007	Matsuo	D13/110
D743,900	S	*	11/2015	Murphy	D13/147
D743,903	S	*	11/2015	Krivonak	D13/147
D757,657	S	*	5/2016	Murphy	D13/154
D760,658	S	*	7/2016	Perlaguri	D13/154
D782,981	S	*	4/2017	Murphy	D13/154
2010/0089641	A1	*	4/2010	Esmaili	H05K 7/1432 174/70 B

(Continued)

Primary Examiner — Derrick E Holland

(74) *Attorney, Agent, or Firm* — Christopher R. Carroll;
The Small Patent Law Group LLC

(57) **CLAIM**

The ornamental design for a rectifier busbar, as shown and described.

DESCRIPTION

FIG. 1 is a perspective view of a first embodiment of a rectifier busbar;

FIG. 2 is a right side view of the rectifier busbar shown in FIG. 1;

FIG. 3 is a left side view of the rectifier busbar shown in FIG. 1;

FIG. 4 is a rear view of the rectifier busbar shown in FIG. 1;

FIG. 5 is a front view of the rectifier busbar shown in FIG. 1;

FIG. 6 is a top view of the rectifier busbar shown in FIG. 1;

FIG. 7 is a bottom view of the rectifier busbar shown in FIG. 1;

FIG. 8 is a perspective view of a second embodiment of the rectifier busbar;

FIG. 9 is a right side view of the rectifier busbar shown in FIG. 8;

FIG. 10 is a left side view of the rectifier busbar shown in FIG. 8;

FIG. 11 is a rear view of the rectifier busbar shown in FIG. 8;

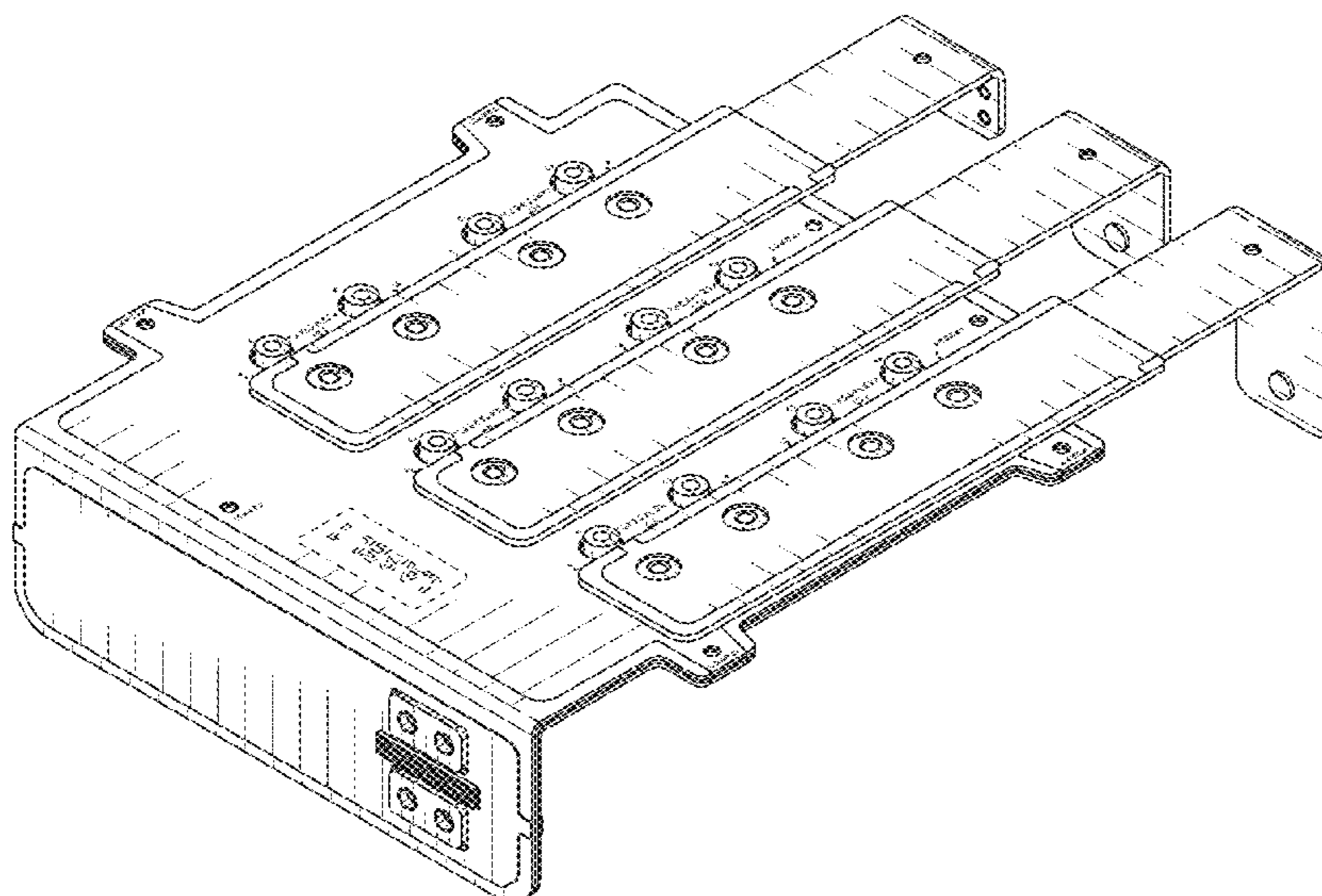
FIG. 12 is a front view of the rectifier busbar shown in FIG. 8;

FIG. 13 is a top view of the rectifier busbar shown in FIG. 8; and,

FIG. 14 is a bottom view of the rectifier busbar shown in FIG. 8.

The broken lines depict portions of the rectifier busbar which form no part of the claimed design.

1 Claim, 10 Drawing Sheets



(56)

References Cited

U.S. PATENT DOCUMENTS

2011/0151315 A1* 6/2011 Masson H01M 50/502
174/126.1
2019/0115704 A1* 4/2019 Copperthite H01R 43/205

* cited by examiner

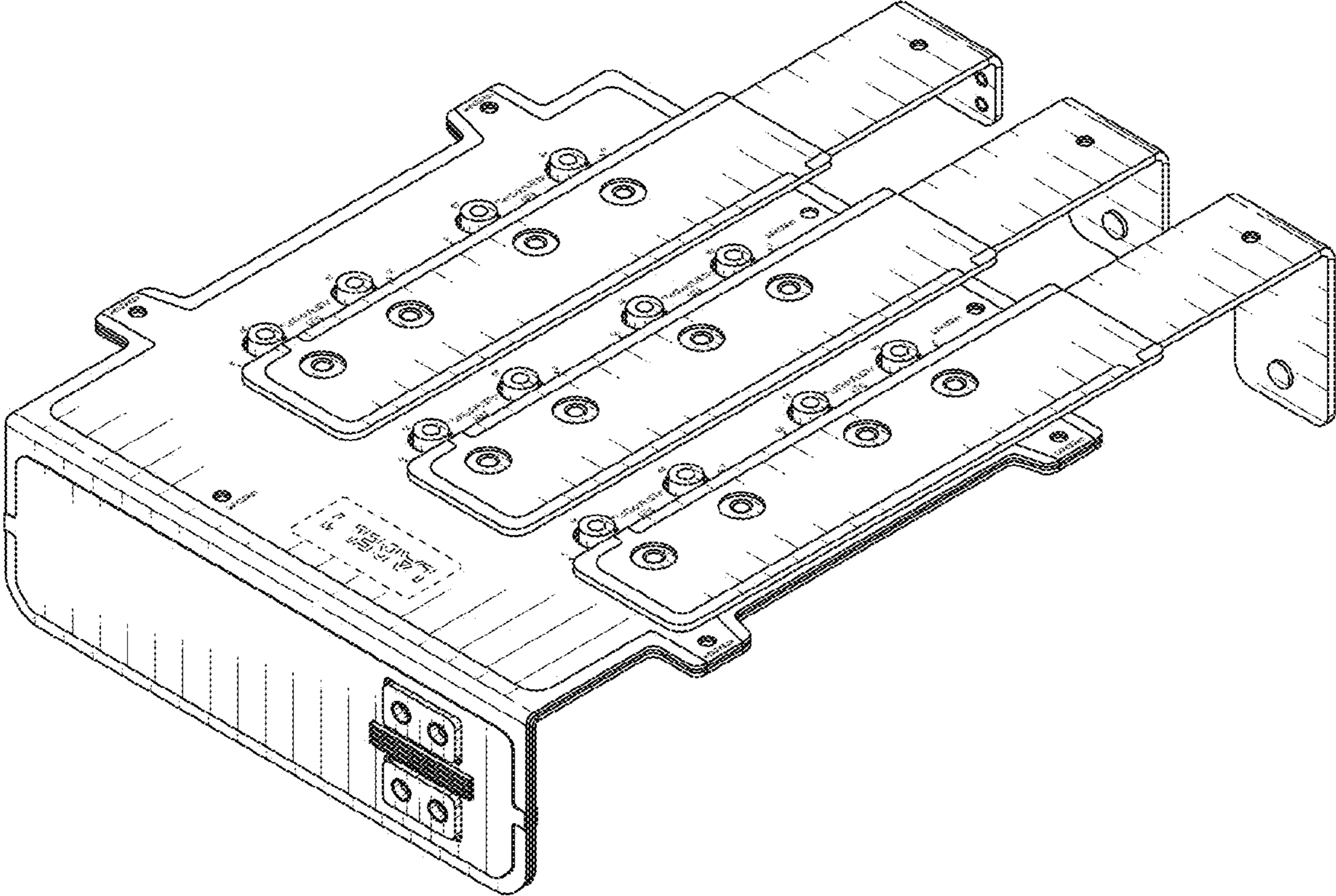


FIG. 1

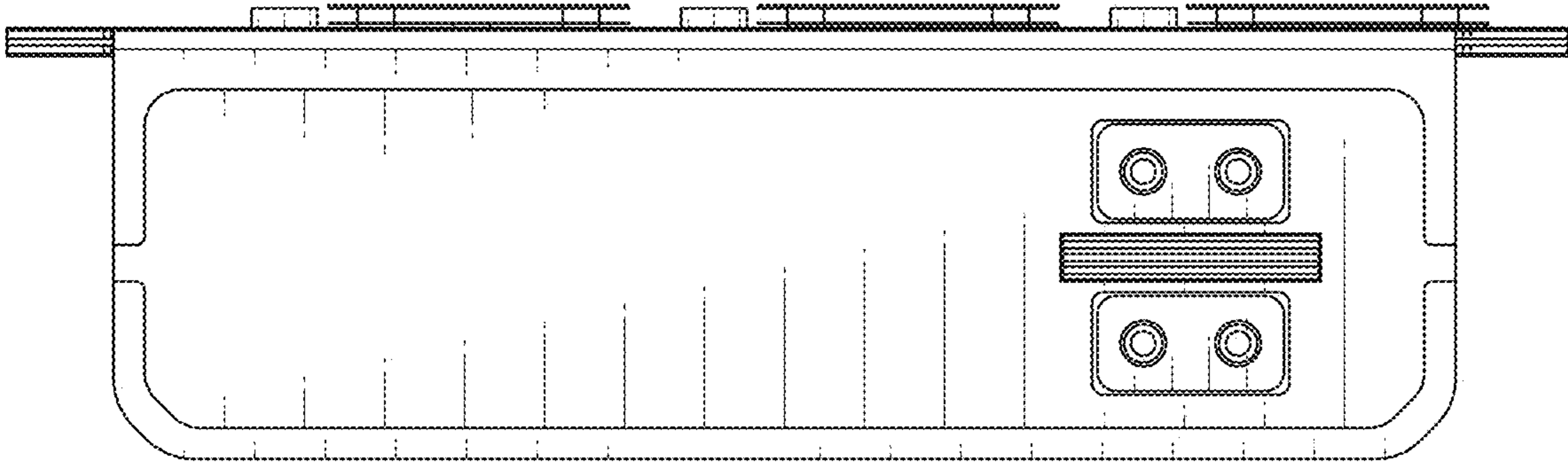


FIG. 2

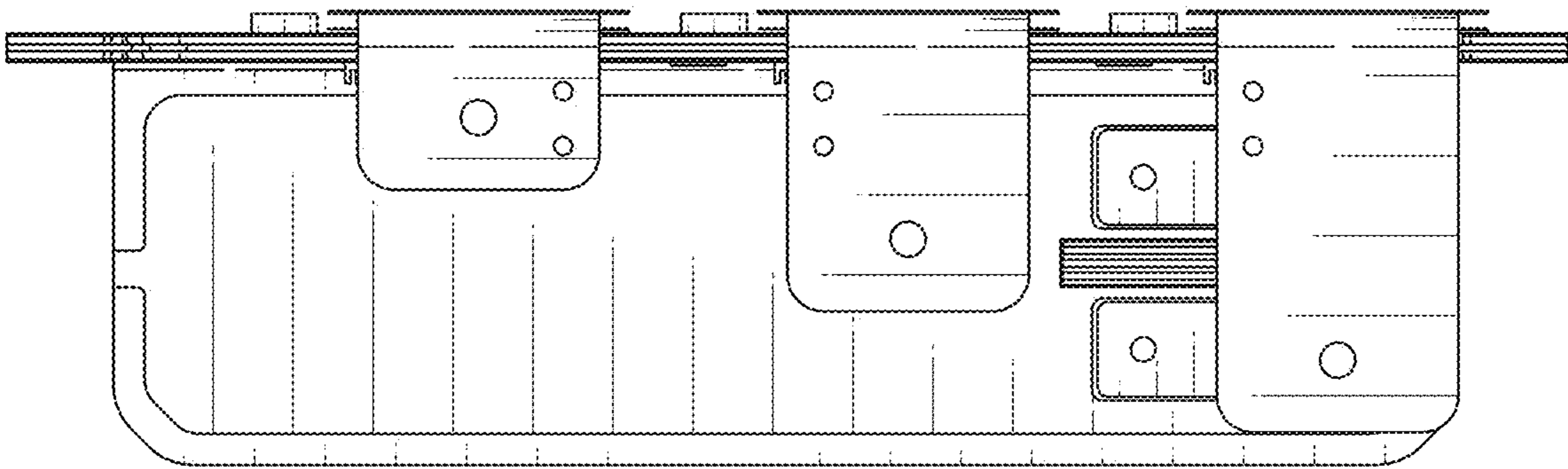


FIG. 3

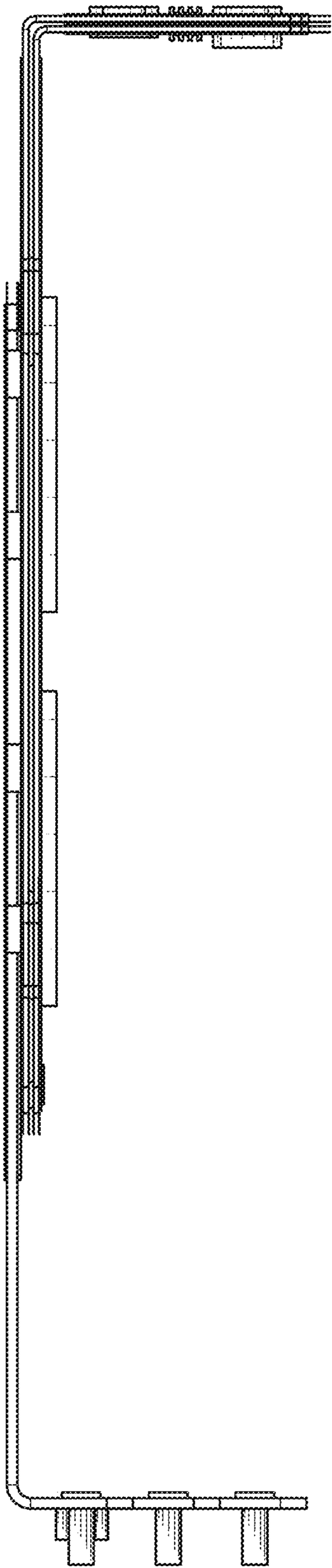


FIG. 4

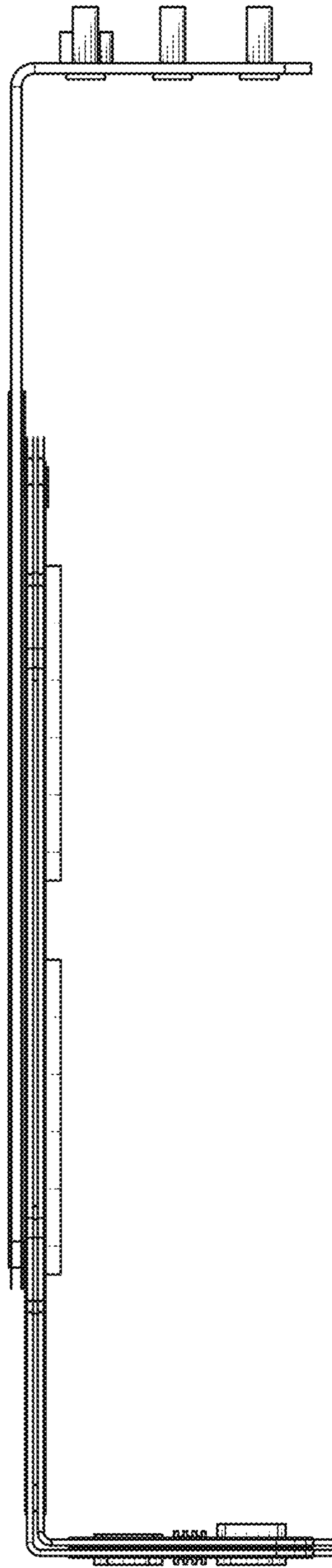


FIG. 5

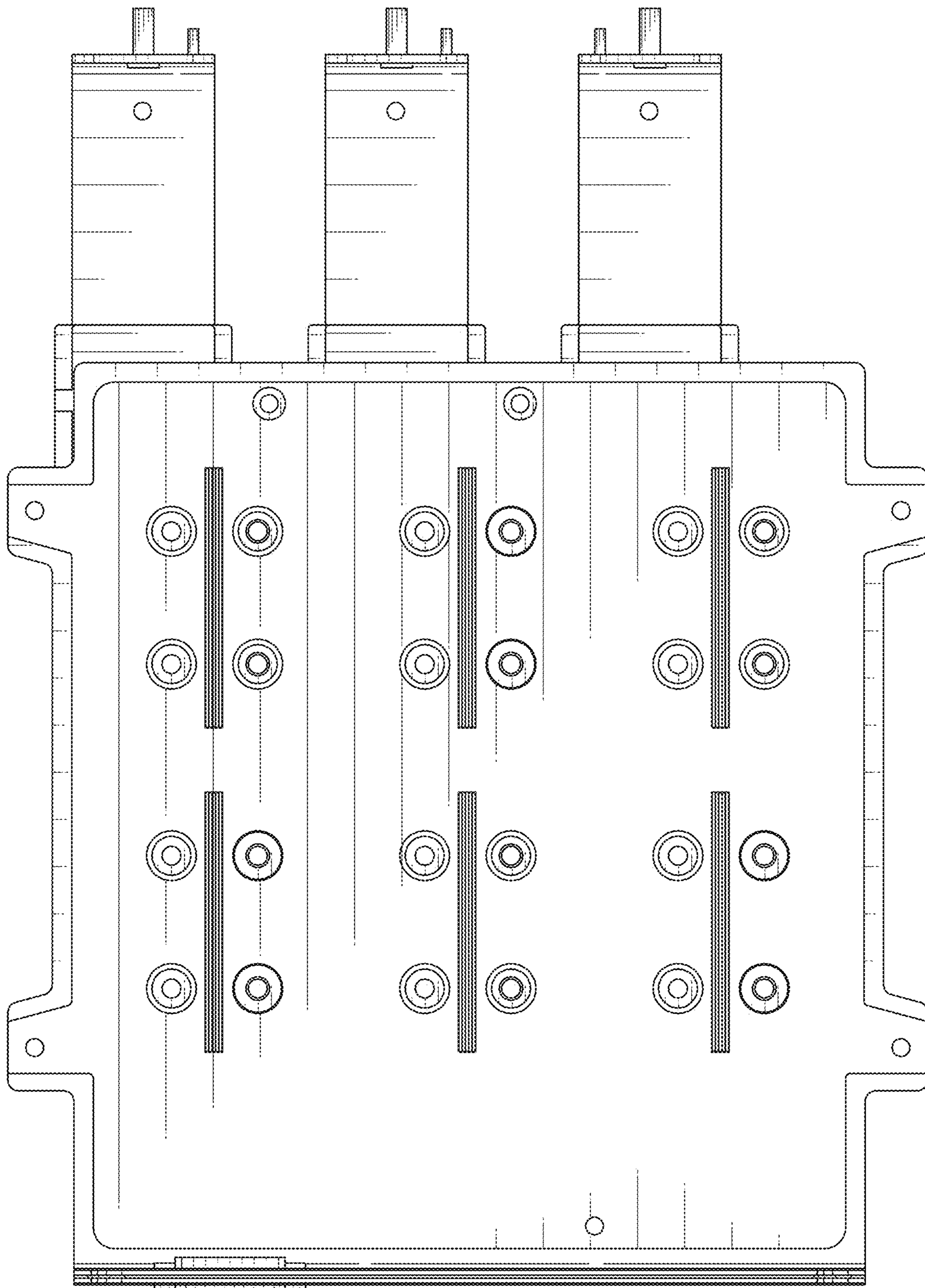


FIG. 7

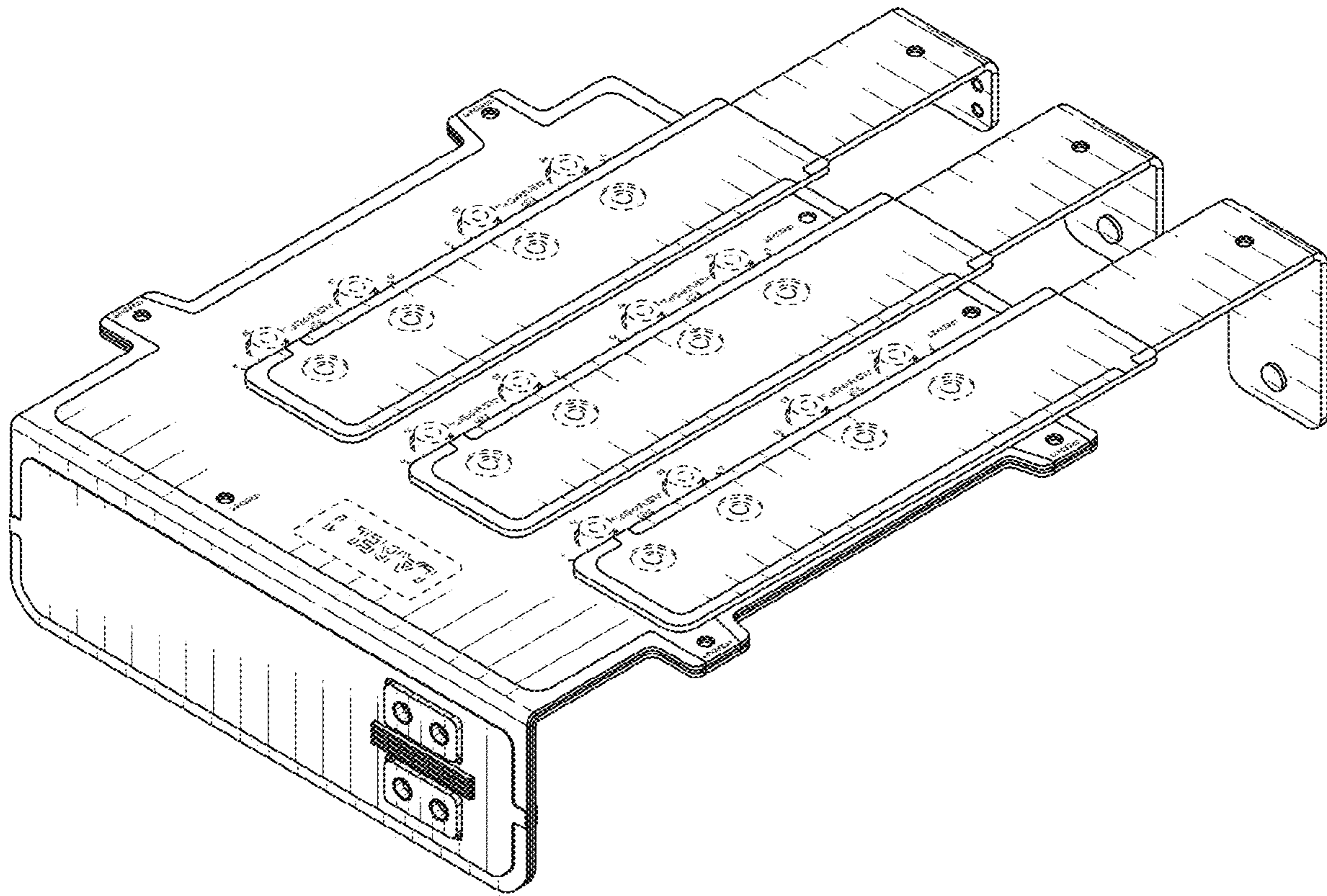


FIG. 8

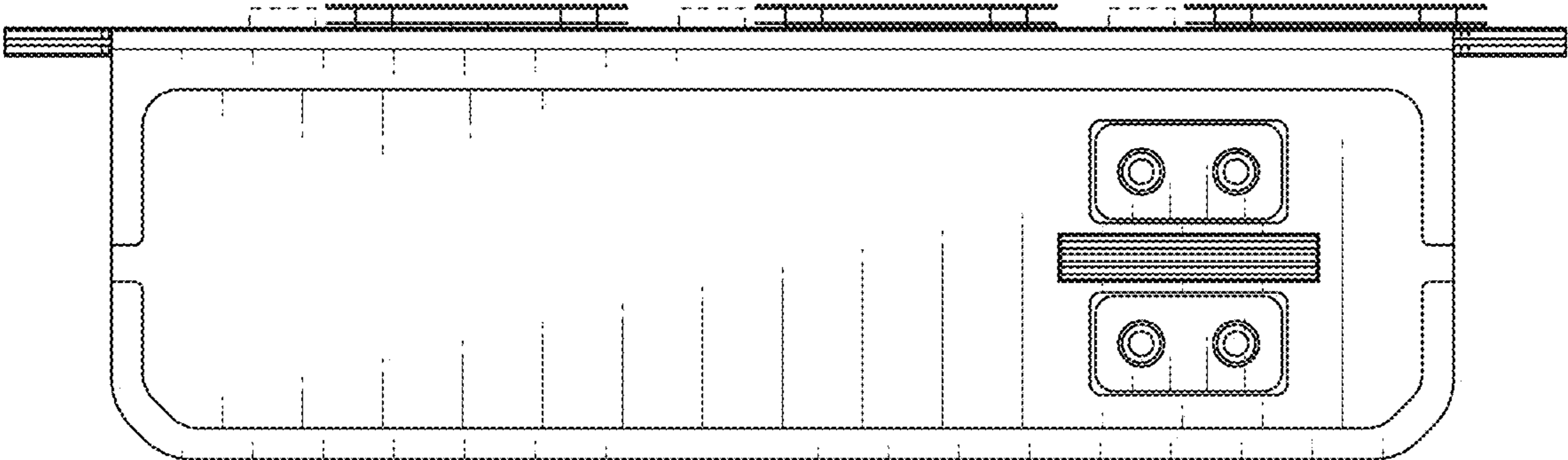


FIG. 9

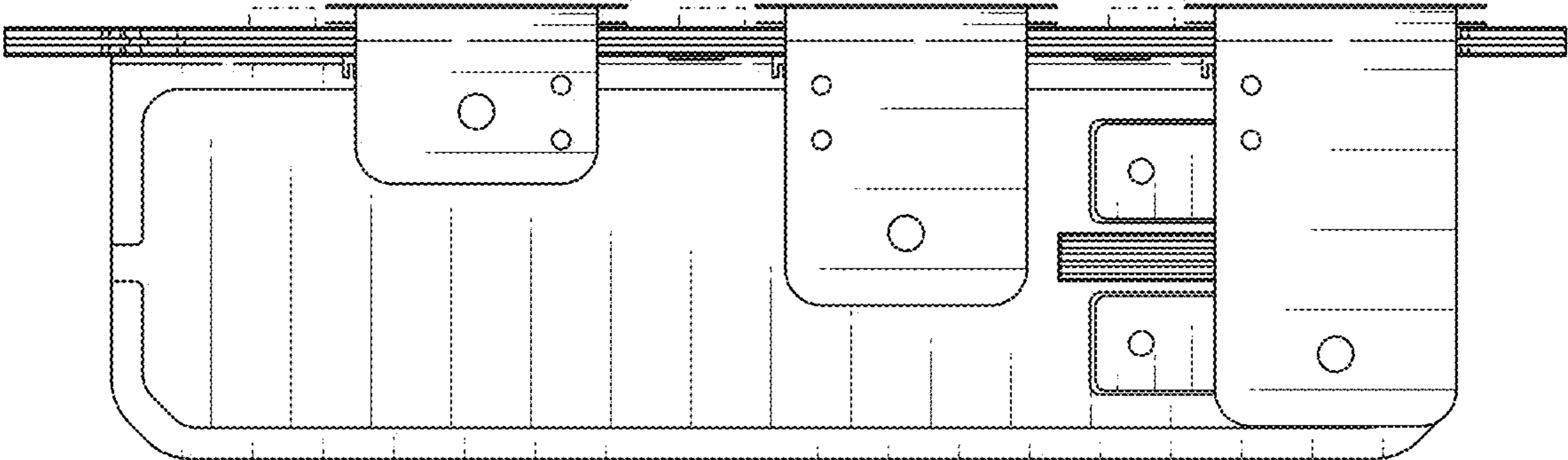


FIG. 10

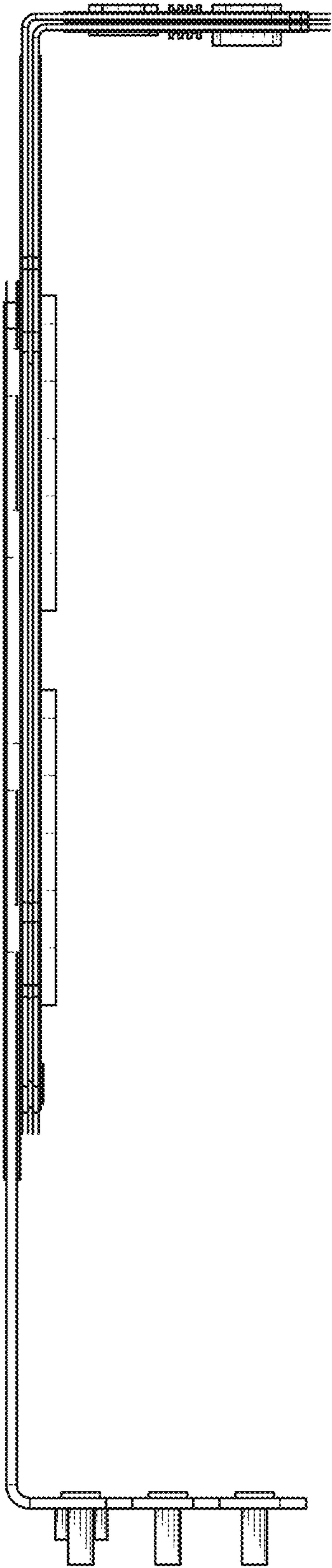


FIG. 11

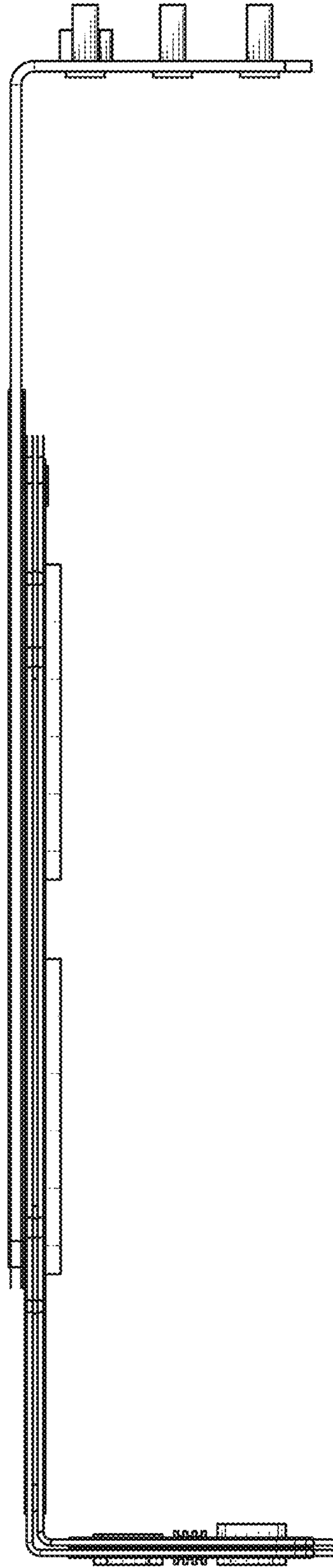


FIG. 12

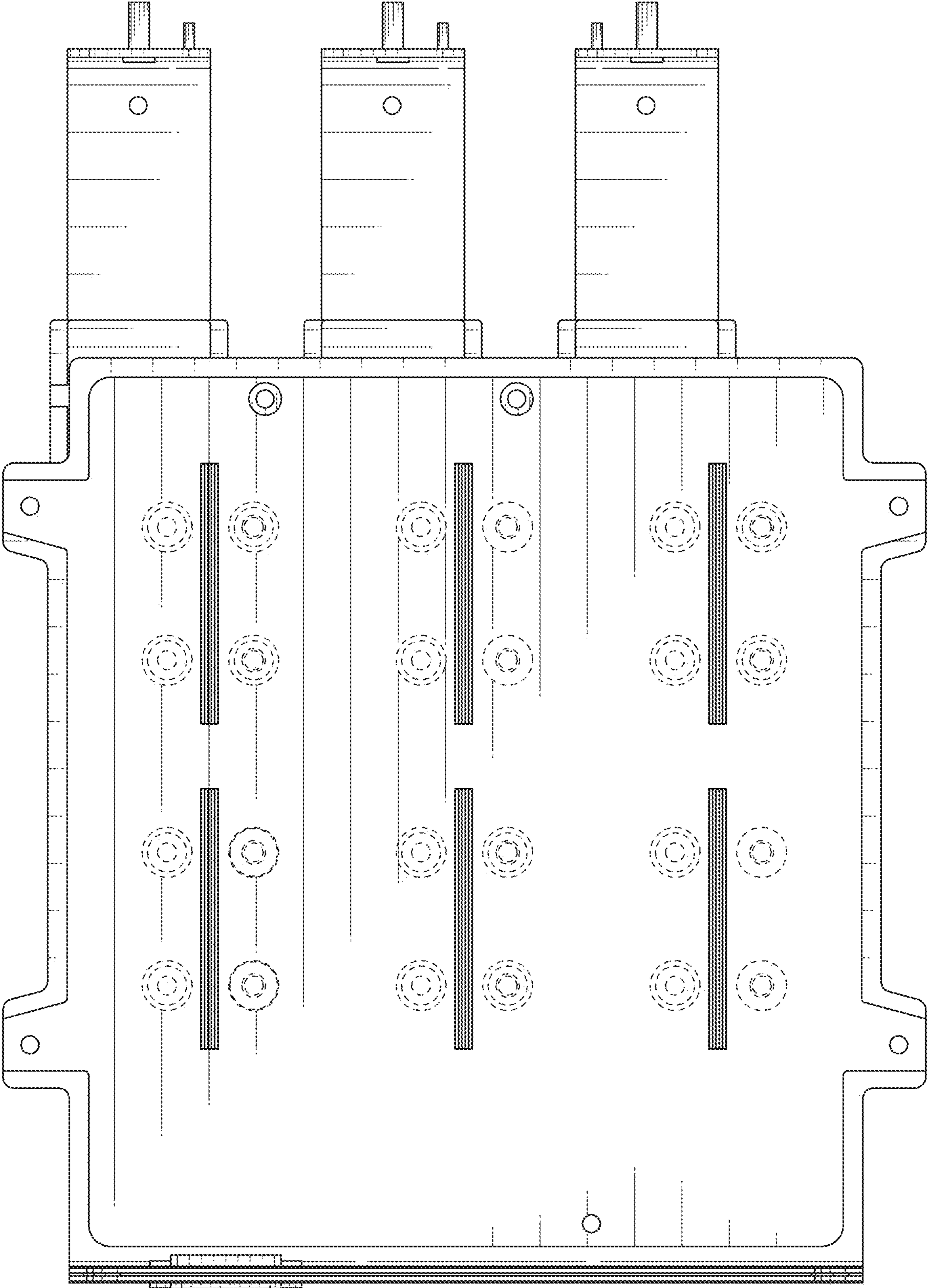


FIG. 14