

US00D960110S

(12) **United States Design Patent** (10) **Patent No.:** **US D960,110 S**
Gretz (45) **Date of Patent:** **** Aug. 9, 2022**

- (54) **VAPOR SEAL FLANGE**
- (71) Applicant: **Arlington Industries, Inc.**, Scranton, PA (US)
- (72) Inventor: **Thomas J. Gretz**, Delray Beach, FL (US)
- (73) Assignee: **ARLINGTON INDUSTRIES, INC.**, Scranton, PA (US)

- D745,850 S * 12/2015 Gretz D13/152
- 9,391,438 B1 * 7/2016 Gretz H02G 3/14
- D766,186 S * 9/2016 Hagarty D13/152
- D774,467 S * 12/2016 Maccarone D13/152
- D810,695 S * 2/2018 Hagarty D13/156
- 9,941,679 B1 * 4/2018 Gretz H02G 3/14
- D841,432 S * 2/2019 Nikayin D8/354
- 10,205,310 B1 * 2/2019 Gretz H02G 3/088
- D868,705 S * 12/2019 Hagarty D13/156

(Continued)

- (**) Term: **15 Years**
- (21) Appl. No.: **29/708,403**
- (22) Filed: **Oct. 5, 2019**
- (51) **LOC (13) Cl.** **13-03**
- (52) **U.S. Cl.**
USPC **D13/152**
- (58) **Field of Classification Search**
USPC D13/152-158, 146, 147, 133, 199, 184;
D9/424, 425, 430; D8/353-356;
D23/259-262
CPC H02G 1/00; H02G 3/04; H02G 3/0406;
H02G 3/0418; H02G 3/08; H02G 3/081;
H02G 3/12; H02G 3/123; H02G 3/125;
H02G 3/14; H02G 3/16; H02G 3/30
See application file for complete search history.

(56) **References Cited**

U.S. PATENT DOCUMENTS

- D343,825 S 2/1994 Enderby
- D427,889 S * 7/2000 Gretz D8/354
- D462,939 S 9/2002 Dinh
- D584,236 S * 1/2009 Wegner D13/152
- D595,659 S 7/2009 Maurer et al.
- D619,097 S * 7/2010 McCarthy D13/152
- 8,124,873 B1 * 2/2012 Gretz H02G 3/14
174/66
- D658,588 S 5/2012 Justice
- D736,715 S * 8/2015 Gretz D13/152
- D745,466 S * 12/2015 Hagarty D13/153

OTHER PUBLICATIONS

Draft Seal 1 Gang Kit by Madison Electric. meproducts.net. Copyright date: 2019. Retrieval date: Apr. 7, 2021. Retrieved from internet: https://meproducts.net/MadisonElectric/media/MadisonElectric/Documents/02260-Web-Specs_Drawings_Draft-Seal.pdf?ext=.pdf (Year: 2019).*

(Continued)

Primary Examiner — Mary Shannon Malley
Assistant Examiner — Lee D. Starr

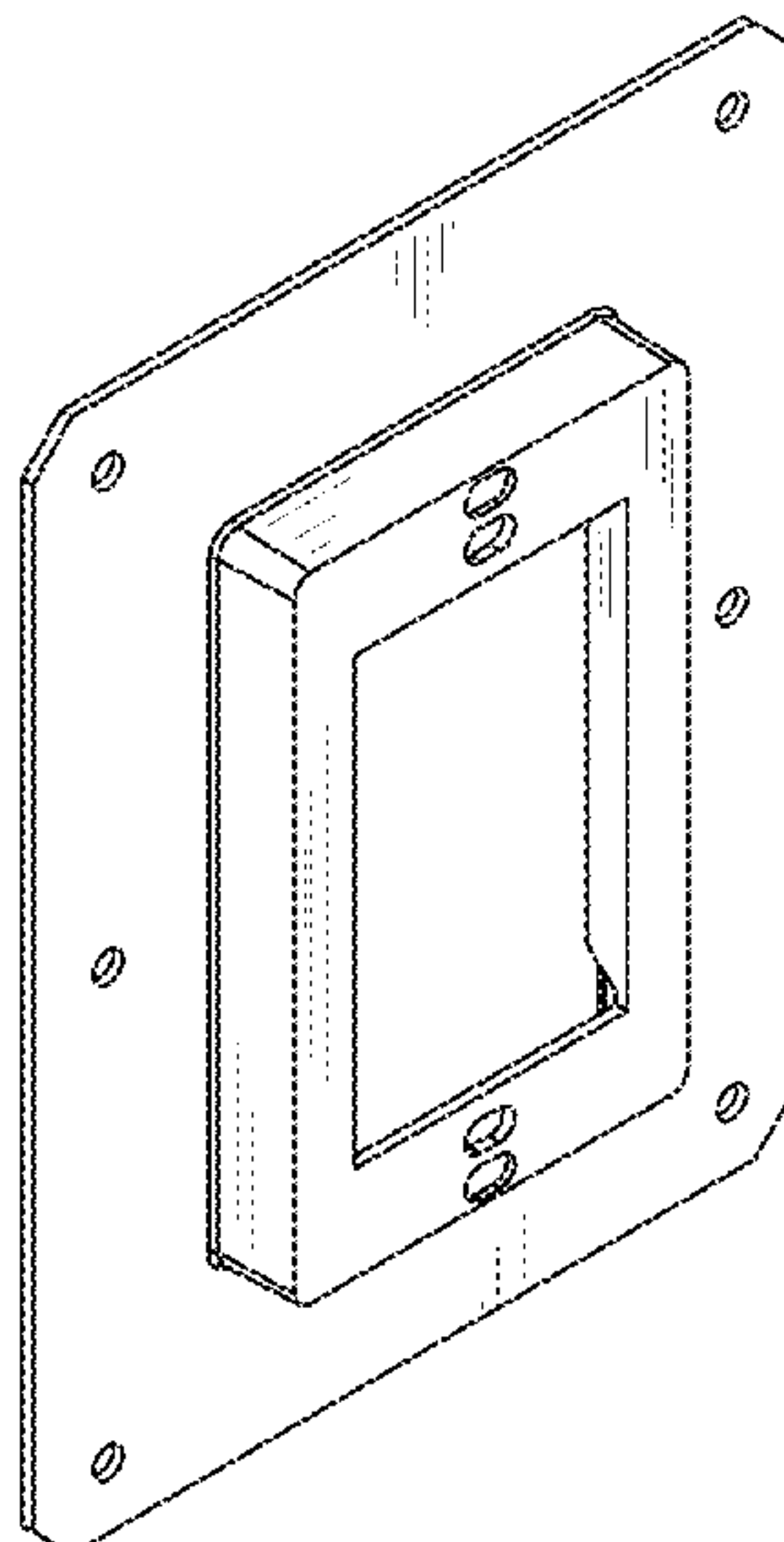
(57) **CLAIM**

The ornamental design for a vapor seal flange, as shown and described.

DESCRIPTION

FIG. 1 is a front perspective view of a vapor seal flange showing my new design;
FIG. 2 is a rear perspective view of a vapor seal flange showing my new design;
FIG. 3 is a front view of the vapor seal flange;
FIG. 4 is a rear view of the vapor seal flange;
FIG. 5 is a side view of the vapor seal flange, with the opposing side being a mirror image thereof; and,
FIG. 6 is a top view of the vapor seal flange, with the bottom view being a mirror image thereof.
The broken lines in the drawings depict portions of the vapor seal flange and form no part of the claimed design.

1 Claim, 5 Drawing Sheets



(56)

References Cited

U.S. PATENT DOCUMENTS

D886,746 S * 6/2020 Anadasu D13/158
11,258,243 B1 * 2/2022 Gretz H02G 3/081
2011/0048758 A1 * 3/2011 Laiacona H02G 3/18
174/59
2011/0056743 A1 * 3/2011 Solan H05K 13/04
174/502
2014/0139119 A1 * 5/2014 Trolese F21S 8/024
315/154
2014/0140064 A1 * 5/2014 Trolese F21S 8/024
362/276
2020/0144801 A1 * 5/2020 Lloyd H02G 3/081

OTHER PUBLICATIONS

Vapor Barrier Cover for Single Gang Boxes by Arlington Industries,
aimedia.co. Copyright date: 2020. Retrieval date: Apr. 7, 2021.
Retrieved from internet: [http://www.aimedia.co/media/spec-sheets/
VB1.pdf](http://www.aimedia.co/media/spec-sheets/VB1.pdf) (Year: 2020).*

* cited by examiner

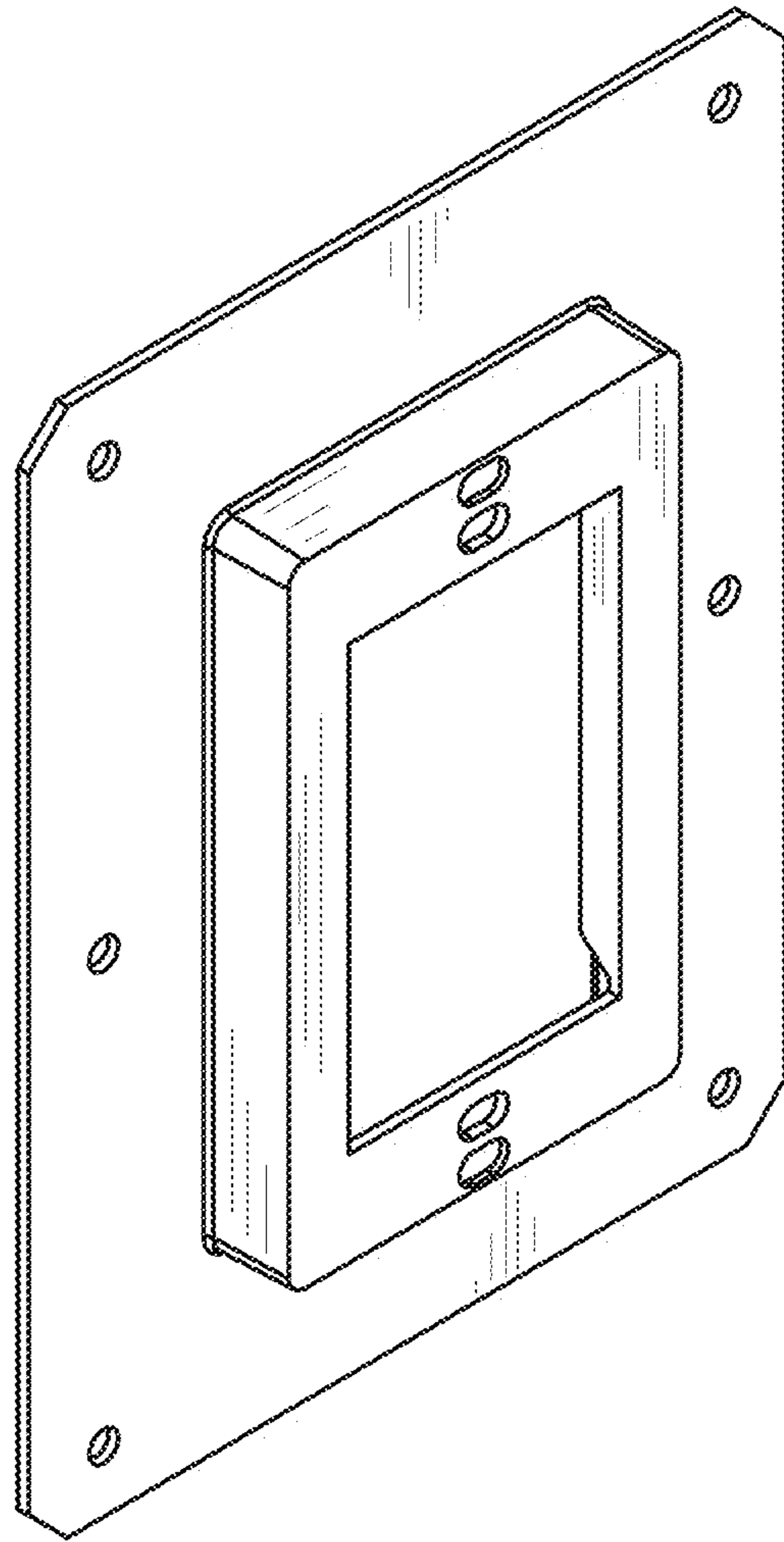


Fig. 1

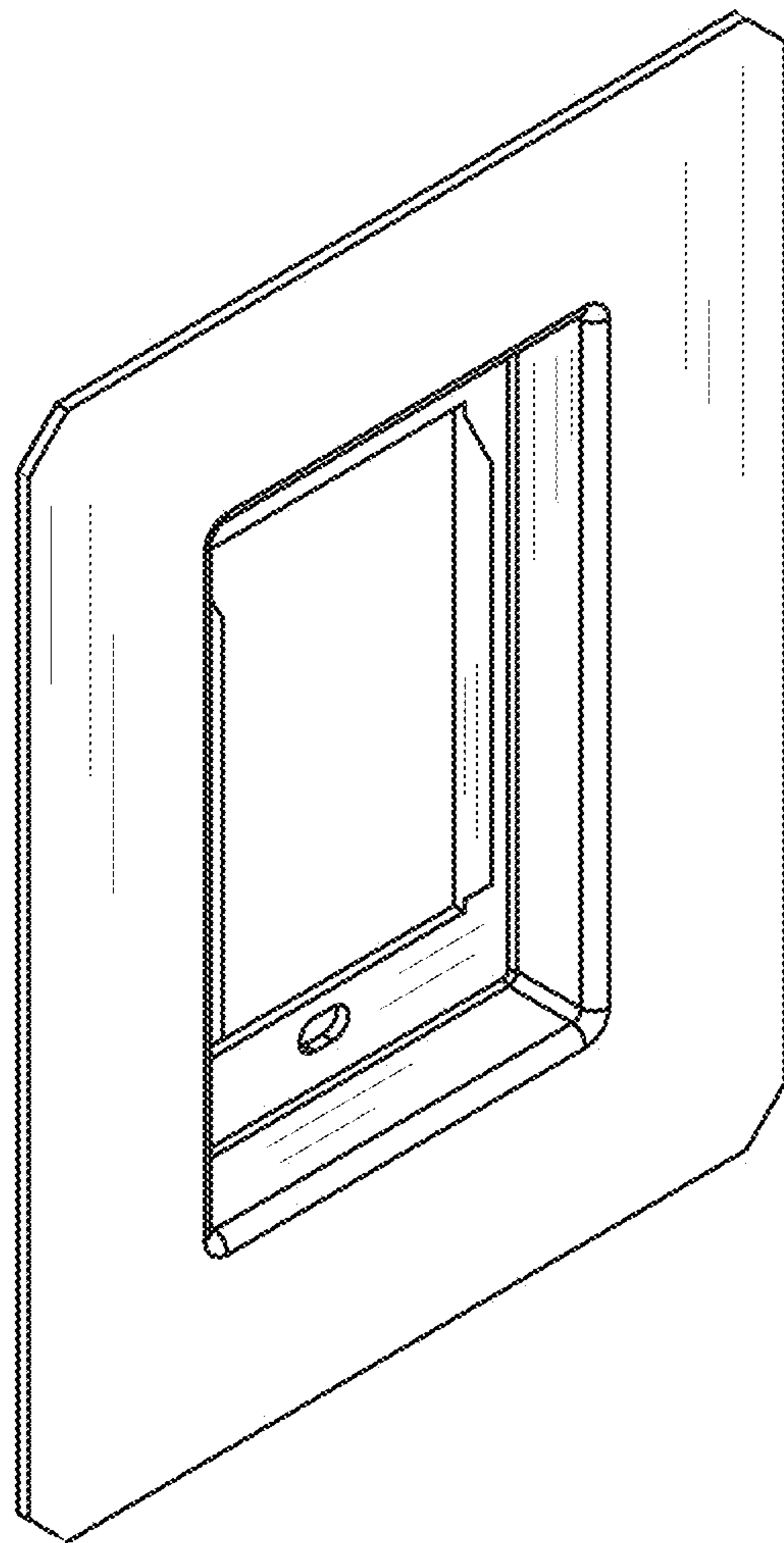


Fig. 2

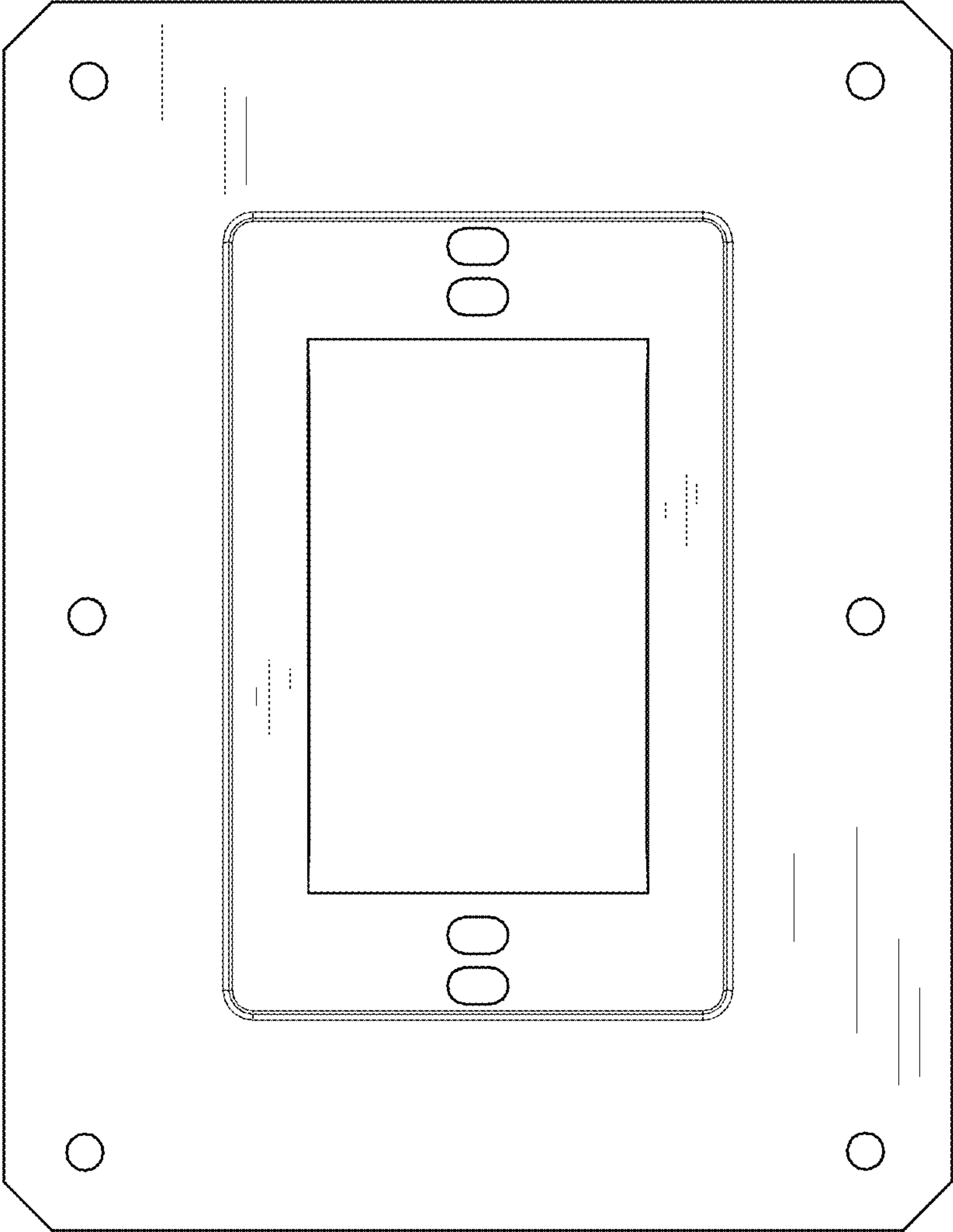


Fig. 3

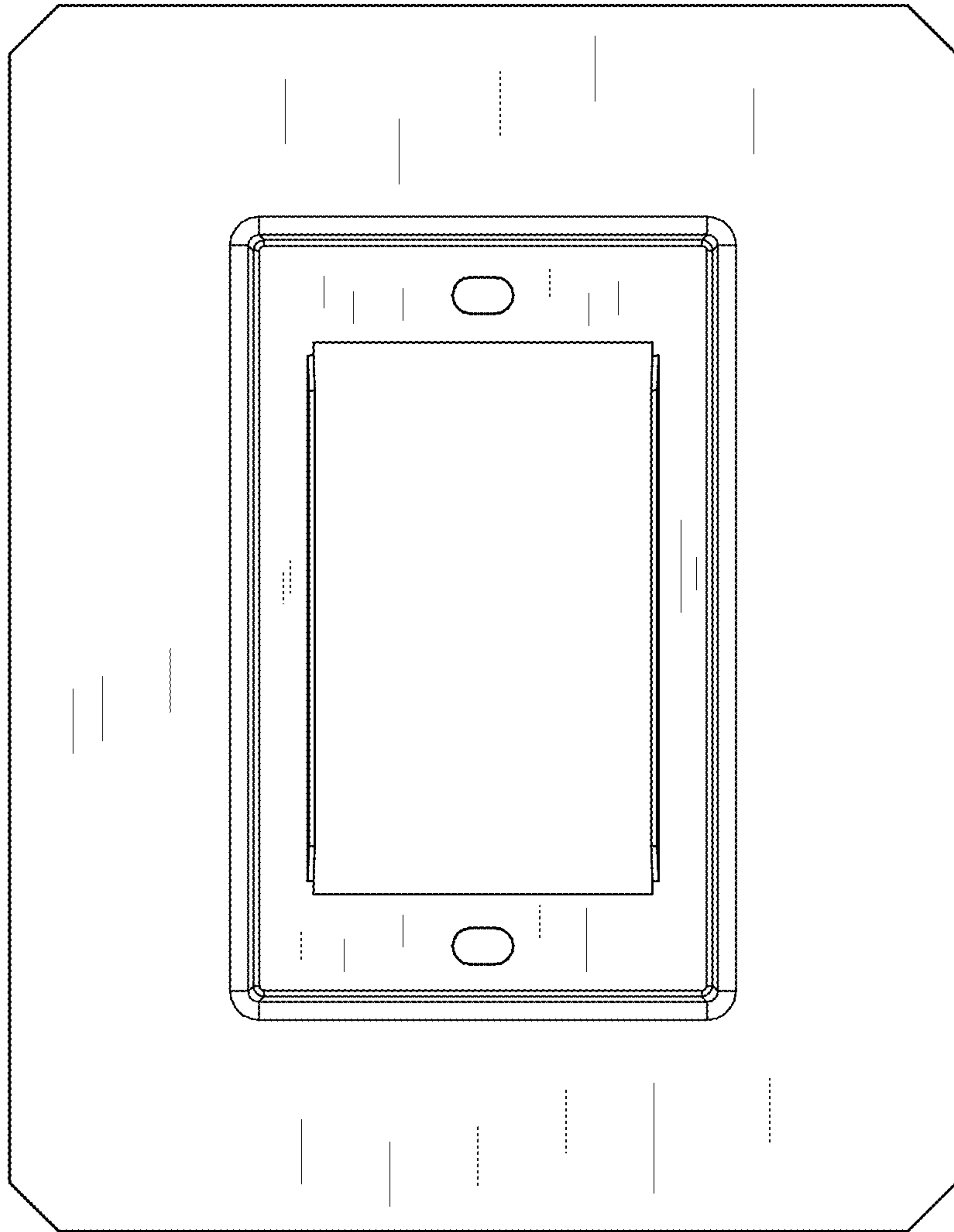


Fig. 4

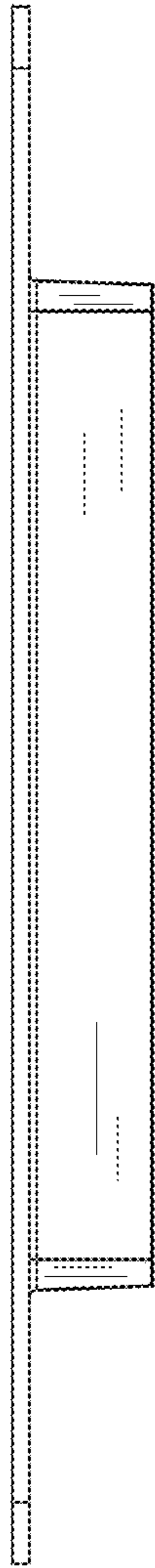


Fig. 5

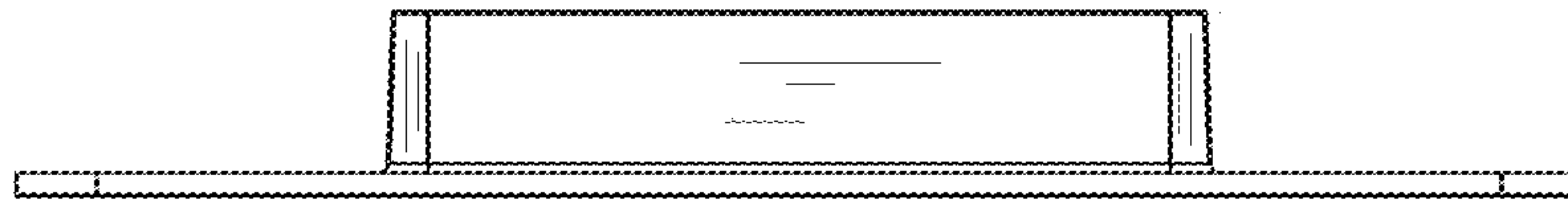


Fig. 6