

US00D960107S

(12) **United States Design Patent** (10) **Patent No.:** **US D960,107 S**
Williams Barnett et al. (45) **Date of Patent:** **** Aug. 9, 2022**

(54) **ELECTRICAL CONNECTOR**

- (71) Applicant: **Samtec, Inc.**, New Albany, IN (US)
- (72) Inventors: **Jean Karlo Williams Barnett**, New Albany, IN (US); **Jignesh H. Shah**, Santa Clara, CA (US); **Eric Zbinden**, Santa Clara, CA (US)
- (73) Assignee: **SAMTEC, INC.**, New Albany, IN (US)
- (**) Term: **15 Years**
- (21) Appl. No.: **29/797,618**
- (22) Filed: **Jul. 1, 2021**

Related U.S. Application Data

- (60) Continuation of application No. 29/733,196, filed on Apr. 30, 2020, now Pat. No. Des. 924,170, which is (Continued)
- (51) **LOC (13) Cl.** **13-03**
- (52) **U.S. Cl.**
USPC **D13/147**
- (58) **Field of Classification Search**
USPC D13/133, 146, 147, 154, 184, 199 (Continued)

(56) **References Cited**

U.S. PATENT DOCUMENTS

- 2,760,174 A 8/1956 Burt et al.
 - 4,477,142 A 10/1984 Cooper et al.
- (Continued)

FOREIGN PATENT DOCUMENTS

- CN 201464681 U 5/2010
 - CN 201886172 U 6/2011
- (Continued)

OTHER PUBLICATIONS

Samtec, .8MM Q-Rate Terminal Assembly by Clay W, Dwg. No. QRM8-XXX-XX.X-X-D-XX-A-XX, Aug. 27, 2008, 4 sheets.

Primary Examiner — Shawn T Gingrich
(74) *Attorney, Agent, or Firm* — BakerHostetler

(57) **CLAIM**

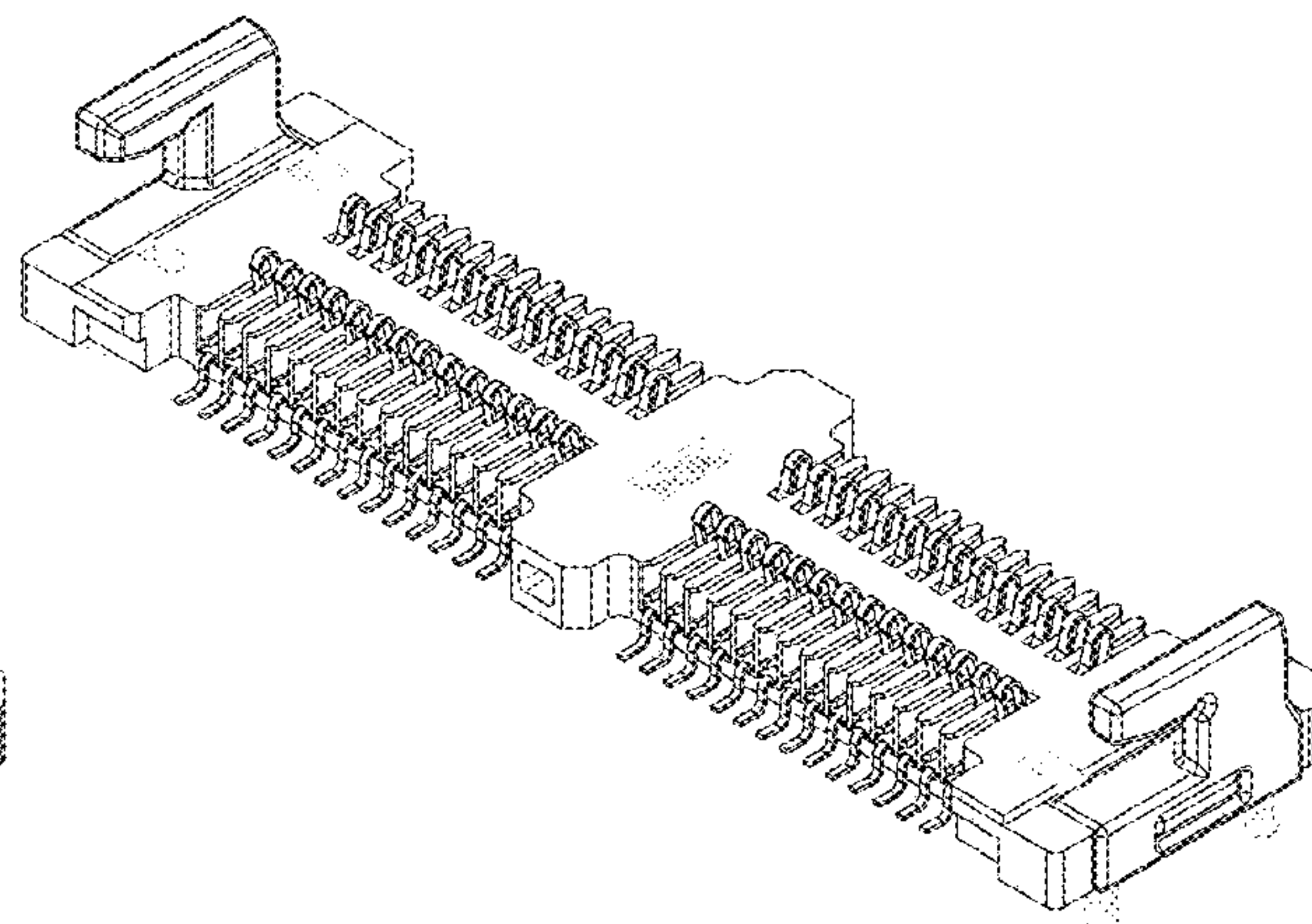
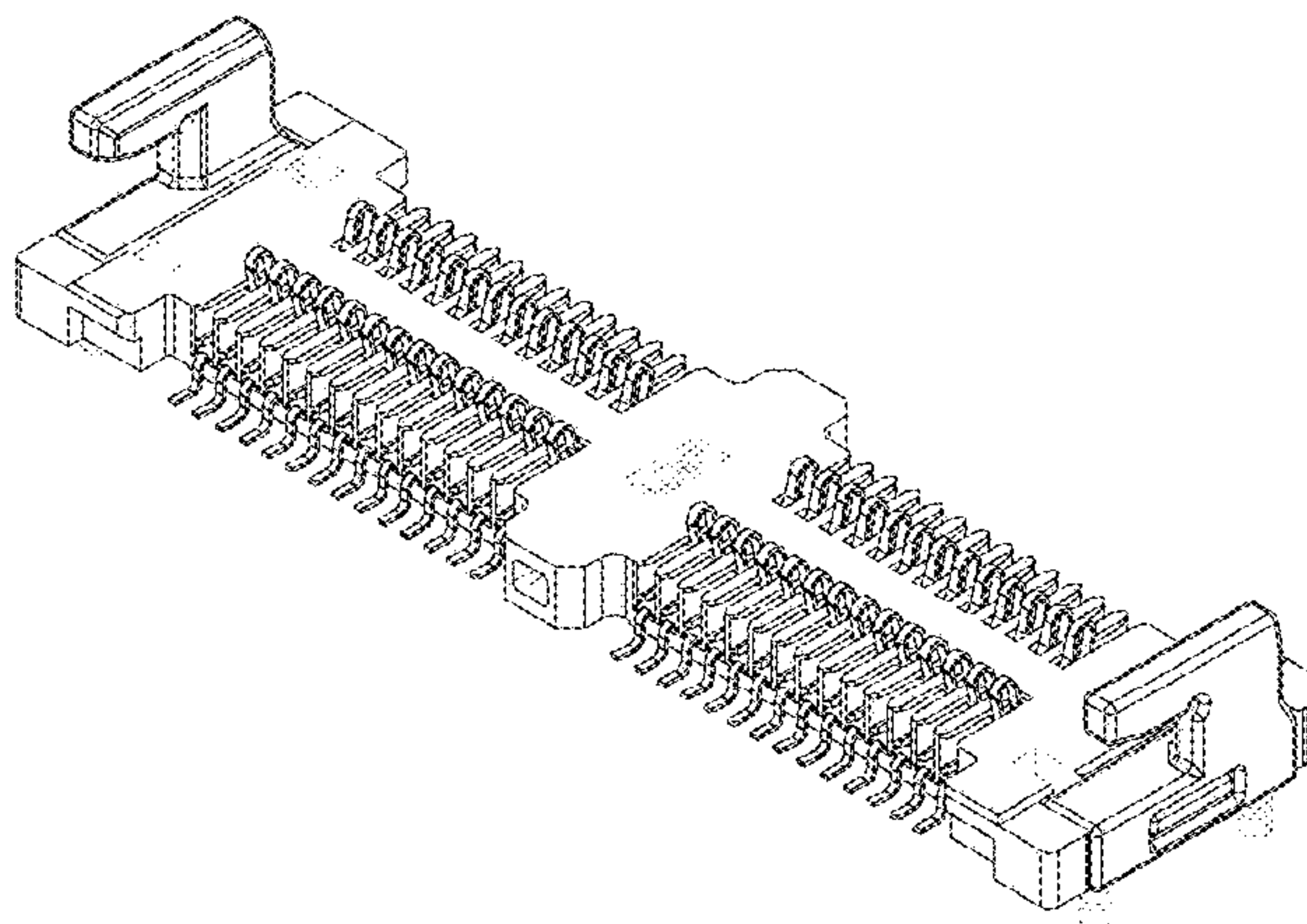
The ornamental design for an electrical connector, as shown and described.

DESCRIPTION

FIG. 1 is a top, left, front perspective view of an electrical connector according to one embodiment of our design; FIG. 2 is another top, left, front perspective view thereof; FIG. 3 is a bottom, right, rear perspective view of thereof; FIG. 4 is another bottom, right, rear perspective view of thereof; FIG. 5 is a front elevation view thereof; FIG. 6 is a rear elevation view thereof; FIG. 7 is a right side elevation view thereof; FIG. 8 is a left side elevation view thereof; FIG. 9 is a top plan view thereof; FIG. 10 is a bottom plan view thereof; FIG. 11 is a top, left, front perspective view of an electrical connector according to another embodiment of our design; FIG. 12 is another top, left, front perspective view thereof; FIG. 13 is a bottom, right, rear perspective view of thereof; FIG. 14 is another bottom, right, rear perspective view of thereof; FIG. 15 is a front elevation view thereof; FIG. 16 is a rear elevation view thereof; FIG. 17 is a left side elevation view thereof; FIG. 18 is a right side elevation view thereof; FIG. 19 is a top plan view thereof; and, FIG. 20 is a bottom plan view thereof.

The broken line portions in the drawings illustrate portions of the electrical connector that form no part of the claimed design.

1 Claim, 12 Drawing Sheets



Related U.S. Application Data

a division of application No. 29/628,702, filed on Dec. 6, 2017, now Pat. No. Des. 886,066.

(58) **Field of Classification Search**

CPC H01R 9/075; H01R 9/16; H01R 12/616; H01R 13/05; H01R 13/193; H01R 13/2464; H01R 13/2478; H01R 13/2485; H01R 13/2492; H01R 13/6271; H01R 13/6275; H01R 13/6335; H01R 13/642; H01R 13/659; H01R 12/00; H01R 13/60; H01R 13/62; H01R 13/627

See application file for complete search history.

(56) **References Cited**

U.S. PATENT DOCUMENTS

4,544,225 A 10/1985 Raus et al.
 4,639,063 A 1/1987 Mueller
 4,678,252 A 7/1987 Moore
 5,167,523 A 12/1992 Crimmins et al.
 5,224,873 A 7/1993 Duffet et al.
 5,396,402 A 3/1995 Perugini et al.
 5,462,441 A 10/1995 Renn et al.
 5,507,657 A 4/1996 Seto et al.
 5,722,849 A 3/1998 Alwine
 5,775,957 A 7/1998 Fink et al.
 6,048,221 A 4/2000 McCleerey et al.
 6,176,725 B1 1/2001 Kobayashi et al.
 6,638,105 B1 10/2003 Wu
 7,001,200 B2 2/2006 Yoshie
 D528,985 S 9/2006 Peng
 D529,443 S 10/2006 Chien
 7,134,895 B1 11/2006 Choy et al.
 7,329,054 B1 2/2008 Epitoux et al.
 7,479,017 B1 1/2009 Koopman et al.
 D589,891 S 4/2009 Peng
 D589,901 S 4/2009 Peng et al.
 7,648,287 B2 1/2010 Epitoux et al.
 7,682,179 B1 3/2010 Tsai
 7,766,559 B2 8/2010 Epitoux et al.
 7,824,112 B2 11/2010 Epitoux et al.
 7,924,567 B2 4/2011 Zha
 8,057,248 B1 11/2011 Sherman
 D697,031 S 1/2014 Yoshisuji
 D708,145 S 7/2014 McCartin et al.
 D708,580 S 7/2014 McCartin et al.
 D721,332 S 1/2015 Yokoo
 D722,968 S 2/2015 Takemoto
 D729,173 S 5/2015 Fukumoto
 D736,714 S 8/2015 Mongold et al.
 9,246,280 B2 1/2016 Neer et al.
 9,374,165 B2 6/2016 Zbinden et al.
 D800,070 S 10/2017 Manba
 D820,216 S 6/2018 Wu et al.
 D822,611 S 7/2018 Bettman et al.
 D835,048 S 12/2018 Arai et al.

10,290,962 B2 5/2019 Harmon, III
 10,297,963 B2 5/2019 Herring et al.
 10,367,282 B2 7/2019 Harmon et al.
 D860,140 S 9/2019 Wu
 D886,066 S 6/2020 Williams et al.
 D924,170 S * 7/2021 Williams Barnett D13/147
 2002/0052131 A1 5/2002 Hashimoto
 2007/0218759 A1 9/2007 Liang et al.
 2008/0222351 A1 9/2008 Verdiell et al.
 2009/0305528 A1 12/2009 Hirata et al.
 2010/0120268 A1 5/2010 Cheng-Chi
 2010/0130044 A1 5/2010 Taketomi
 2010/0195304 A1 8/2010 Takao
 2011/0123150 A1 5/2011 Zbinden et al.
 2011/0123151 A1 5/2011 Zbinden et al.
 2012/0257360 A1 10/2012 Sun
 2012/0289066 A1 11/2012 Wang et al.
 2013/0004120 A1 1/2013 Zbinden et al.
 2013/0129346 A1 5/2013 Zbinden et al.
 2013/0148973 A1 6/2013 Zbinden et al.
 2013/0344710 A1 12/2013 Sasaki et al.
 2014/0017914 A1 1/2014 Endo et al.
 2014/0082977 A1 3/2014 Pilon
 2014/0161407 A1 6/2014 Lee et al.
 2015/0357734 A1 12/2015 Copper et al.
 2015/0364865 A1 12/2015 Sutter et al.
 2016/0079692 A1 3/2016 Sasame et al.
 2017/0062963 A1 3/2017 Tagami et al.
 2017/0174167 A1 6/2017 Collazo Gomez
 2020/0185849 A1 6/2020 Chi
 2020/0220286 A1 7/2020 Bettman et al.
 2020/0403334 A1 12/2020 Parkes et al.
 2021/0194162 A1 * 6/2021 Sugaya H01R 13/639

FOREIGN PATENT DOCUMENTS

CN 102780103 A 11/2012
 CN 204243357 U 4/2015
 CN 104810683 A 7/2015
 CN 204668509 U 9/2015
 CN 105514708 A 4/2016
 CN 105655784 A 6/2016
 CN 207765710 U 8/2018
 JP 2001-126790 A 5/2001
 JP 2002-093495 A 3/2002
 JP 2004-063392 A 2/2004
 JP 2011-222273 A 11/2011
 JP 2013-544447 A 12/2013
 KR 10-2015-0044212 A 4/2015
 KR 10-2016-0071753 A 6/2016
 TW I223479 B 11/2004
 TW D164746 12/2014
 TW D183201 8/2016
 TW D180510 1/2017
 TW D184085 7/2017
 WO 2009/050779 A1 4/2009
 WO 2018/035108 2/2018

* cited by examiner

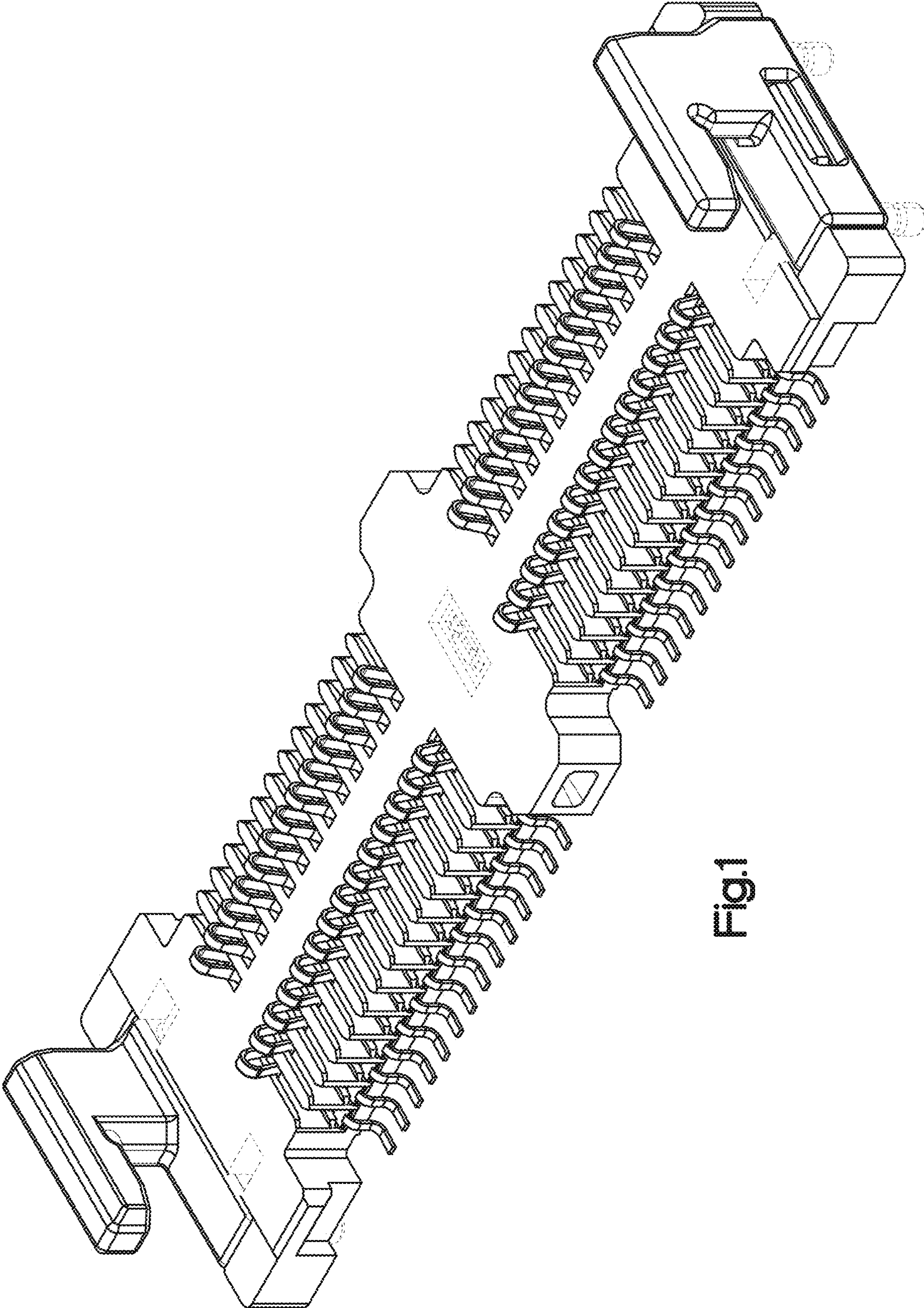


Fig. 1

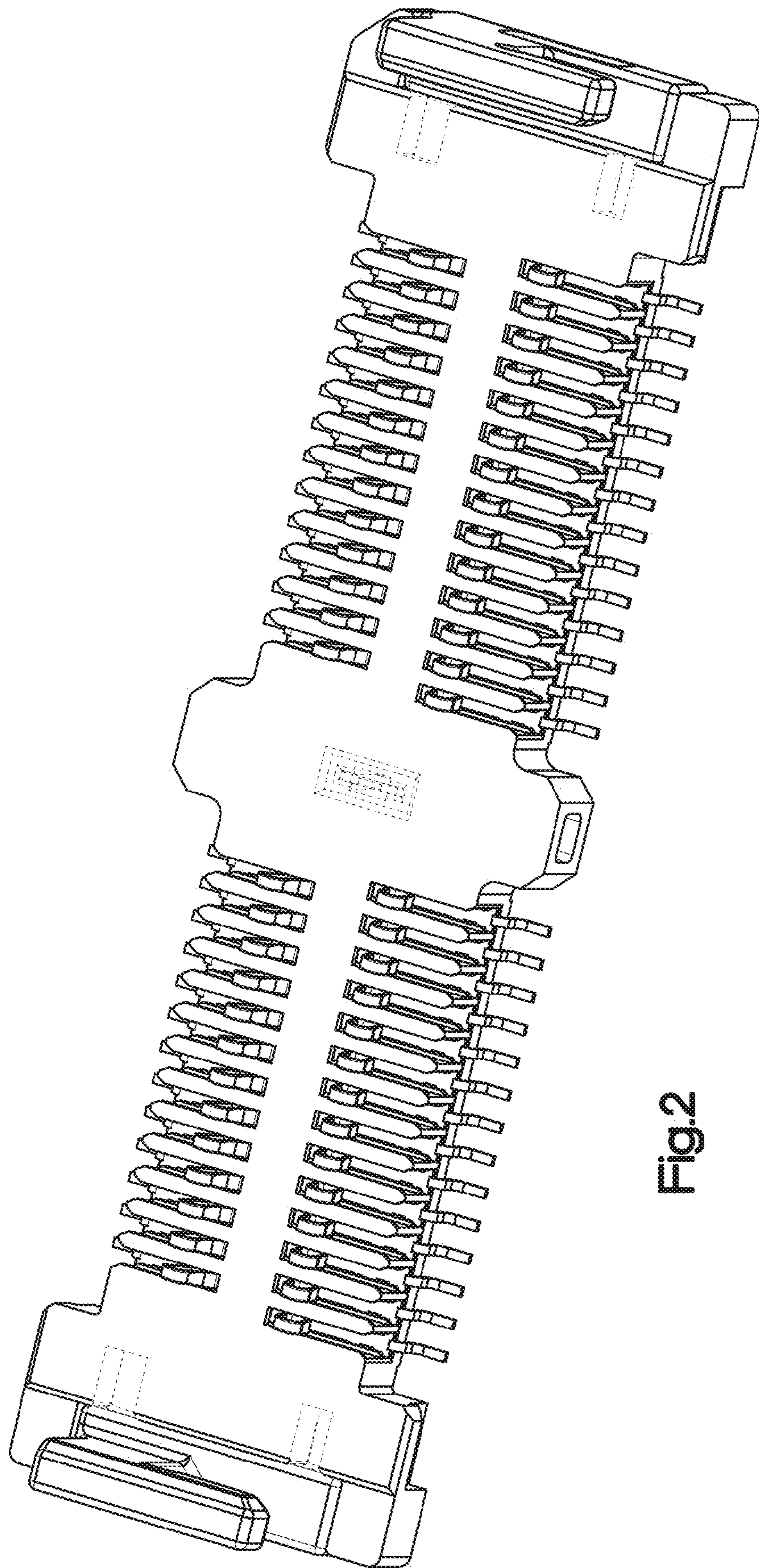


Fig.2

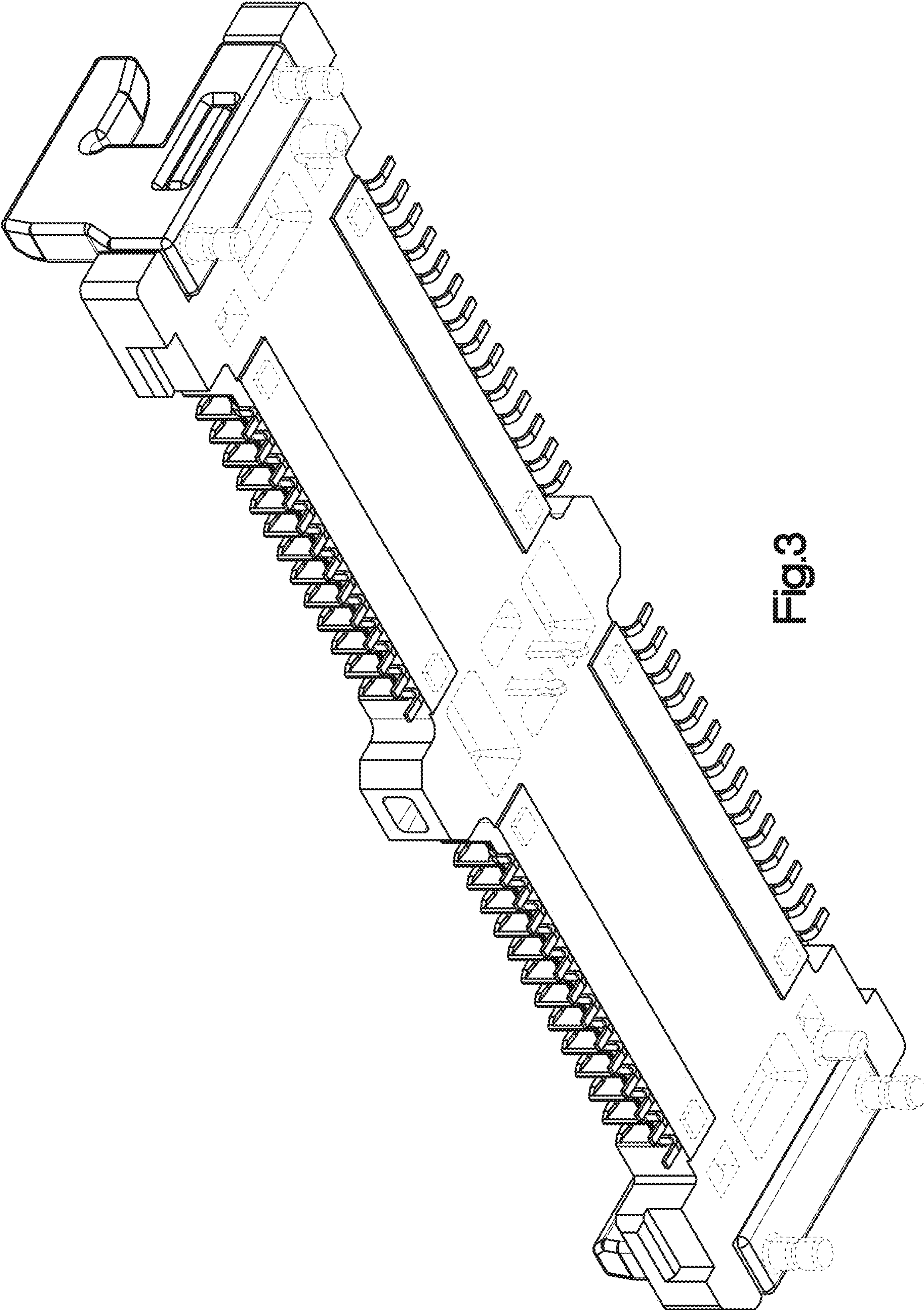


Fig.3

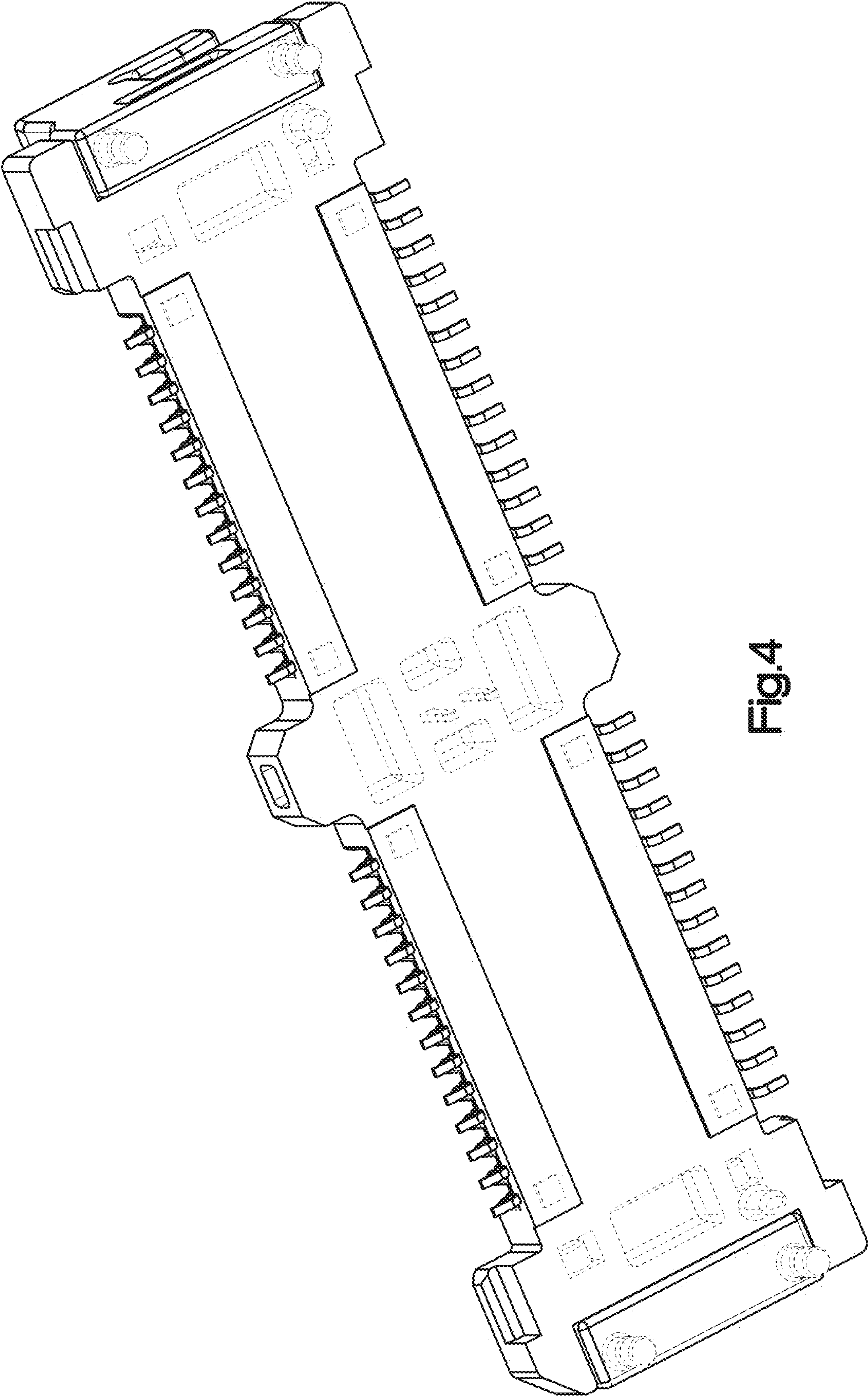


Fig.4

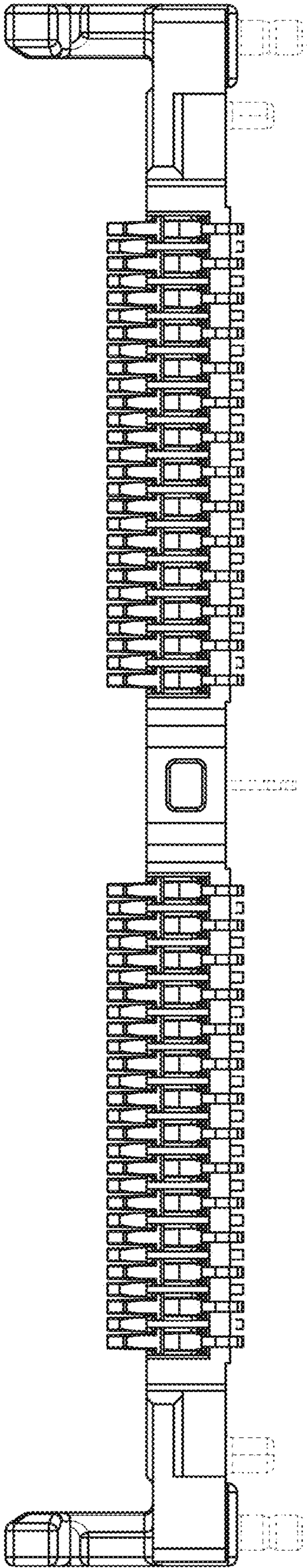


Fig.5

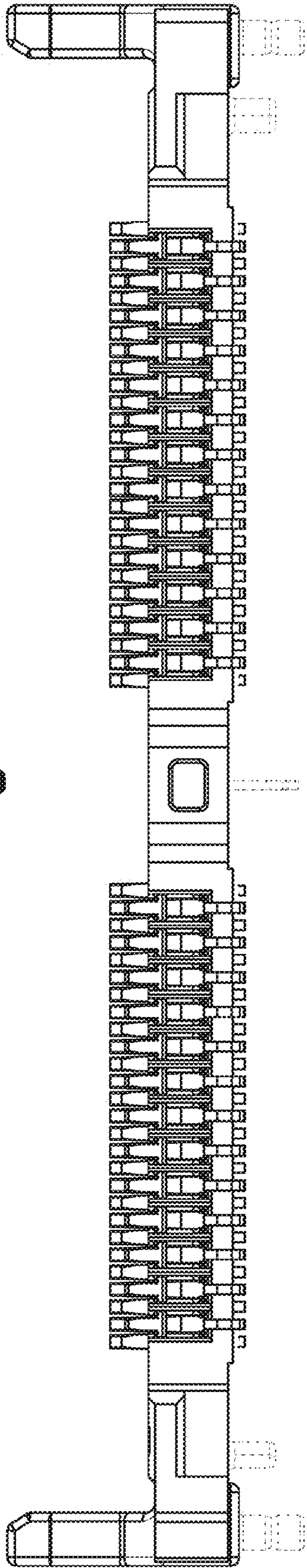


Fig.6

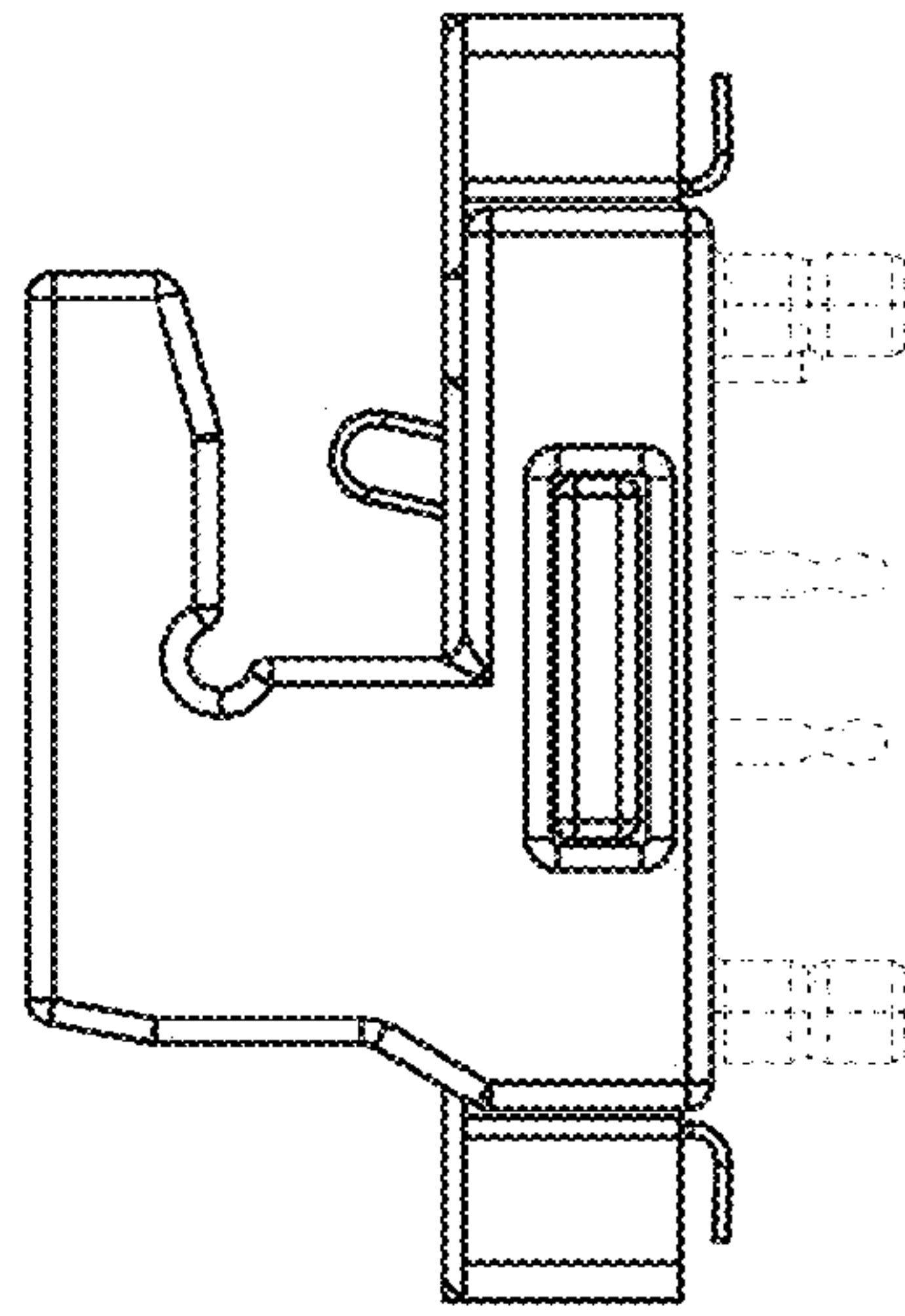


Fig.7

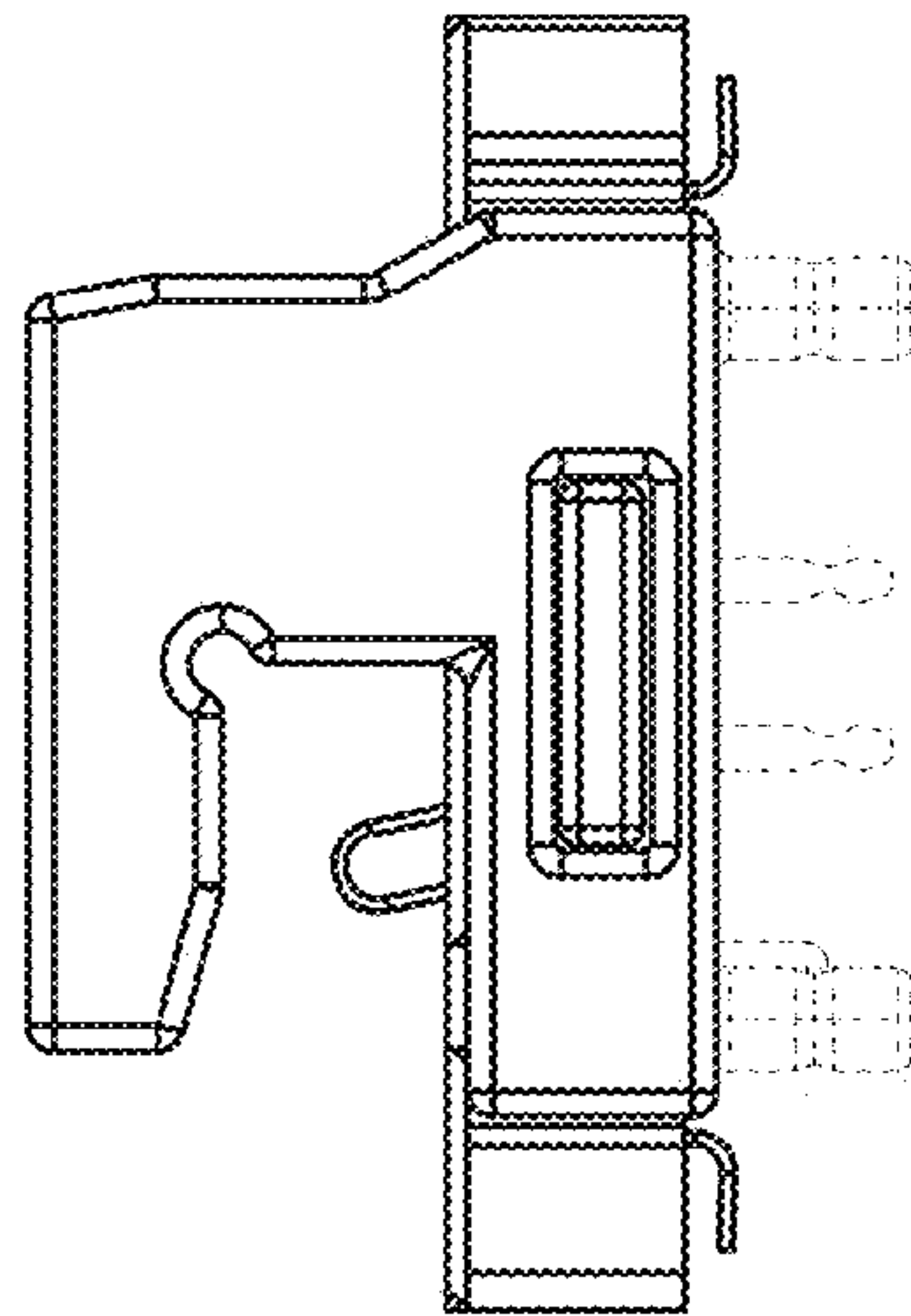


Fig.8

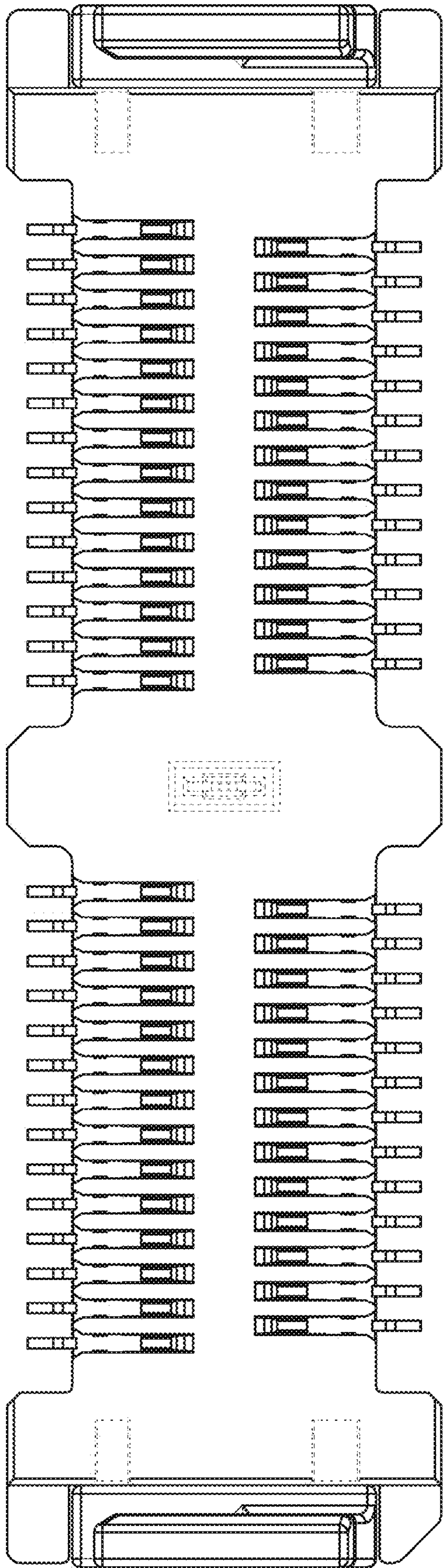


Fig.9

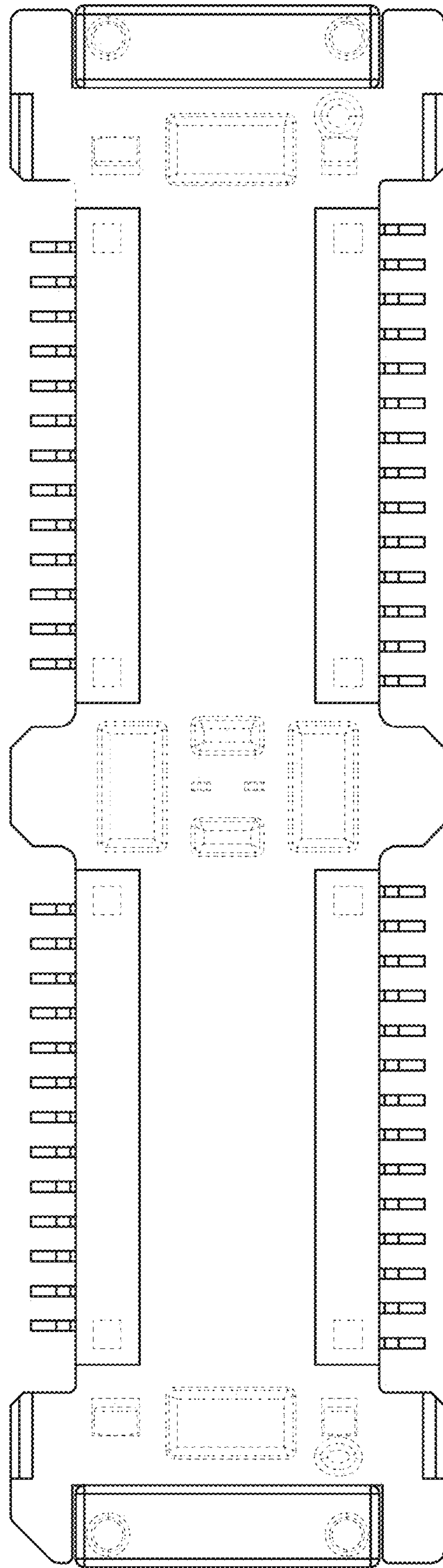


Fig.10

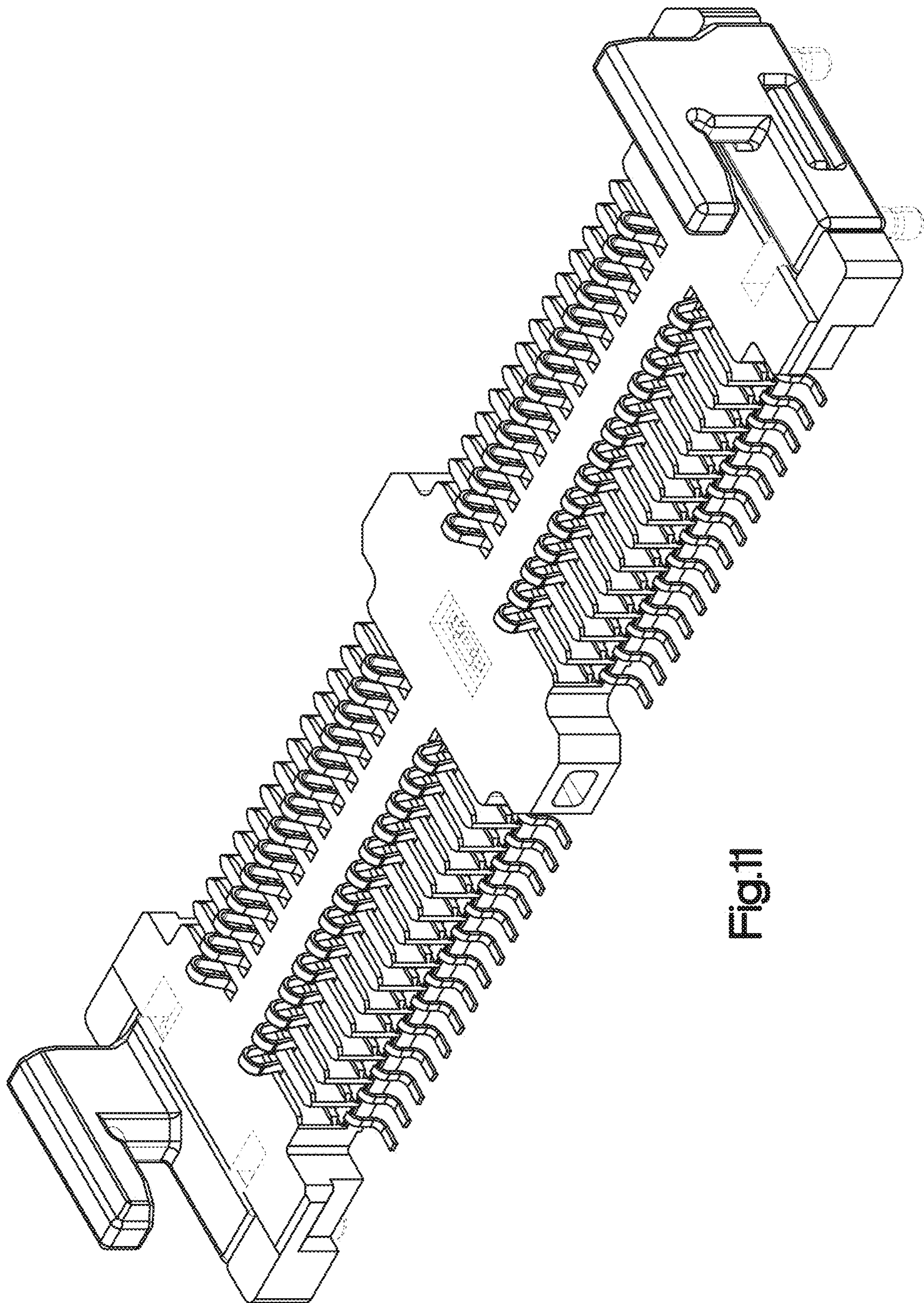


Fig.1

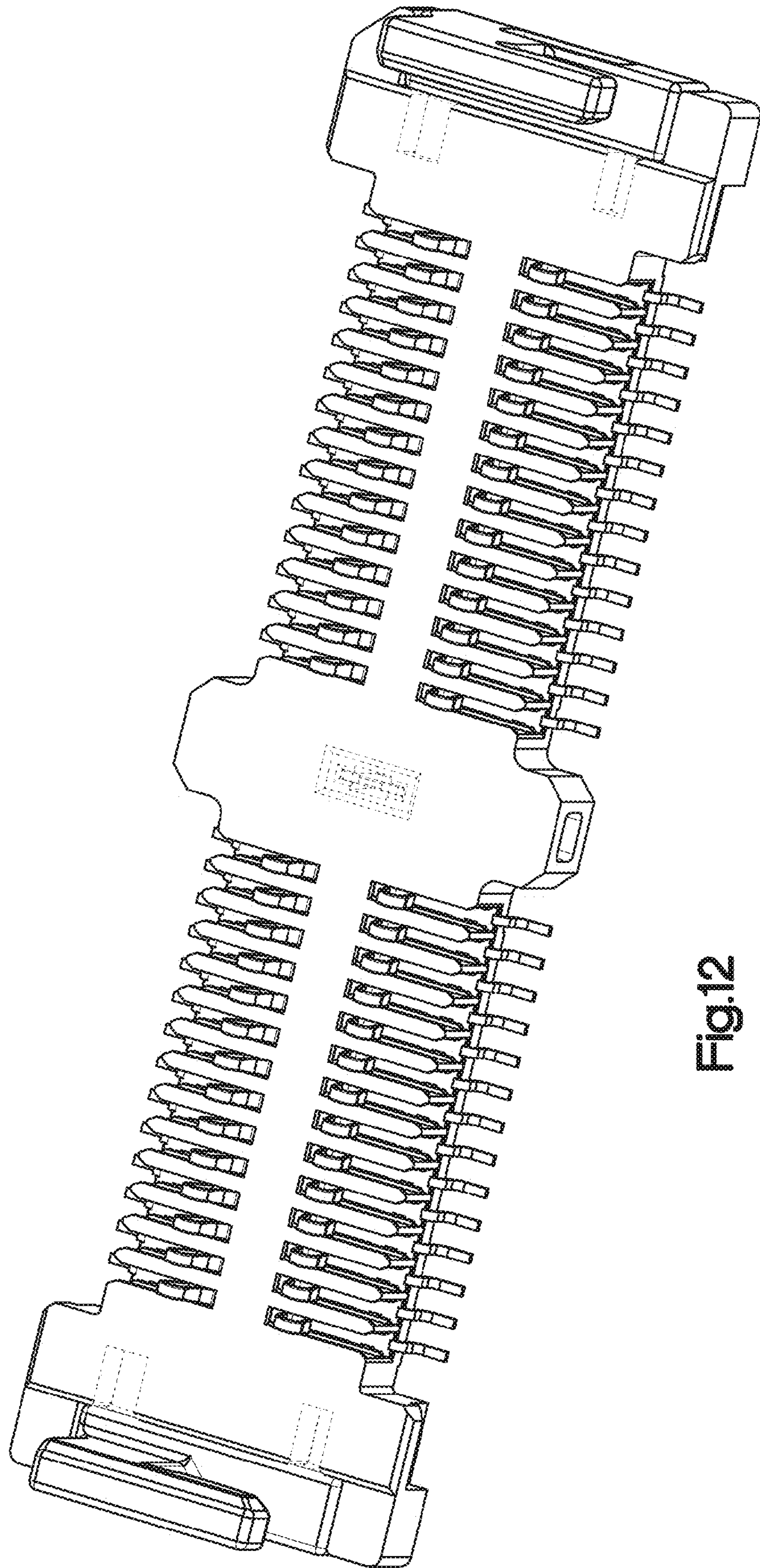


FIG.12

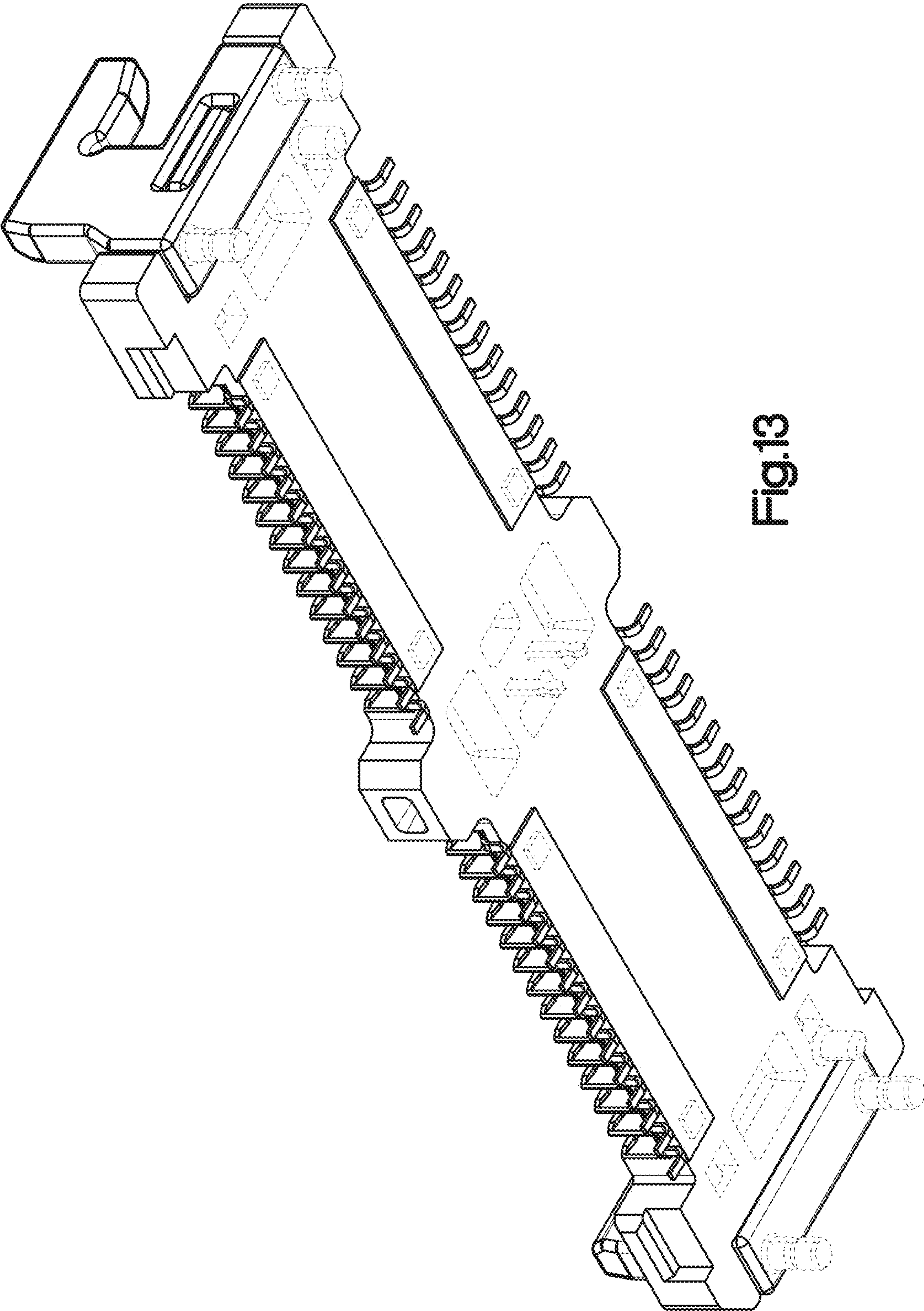


Fig.13

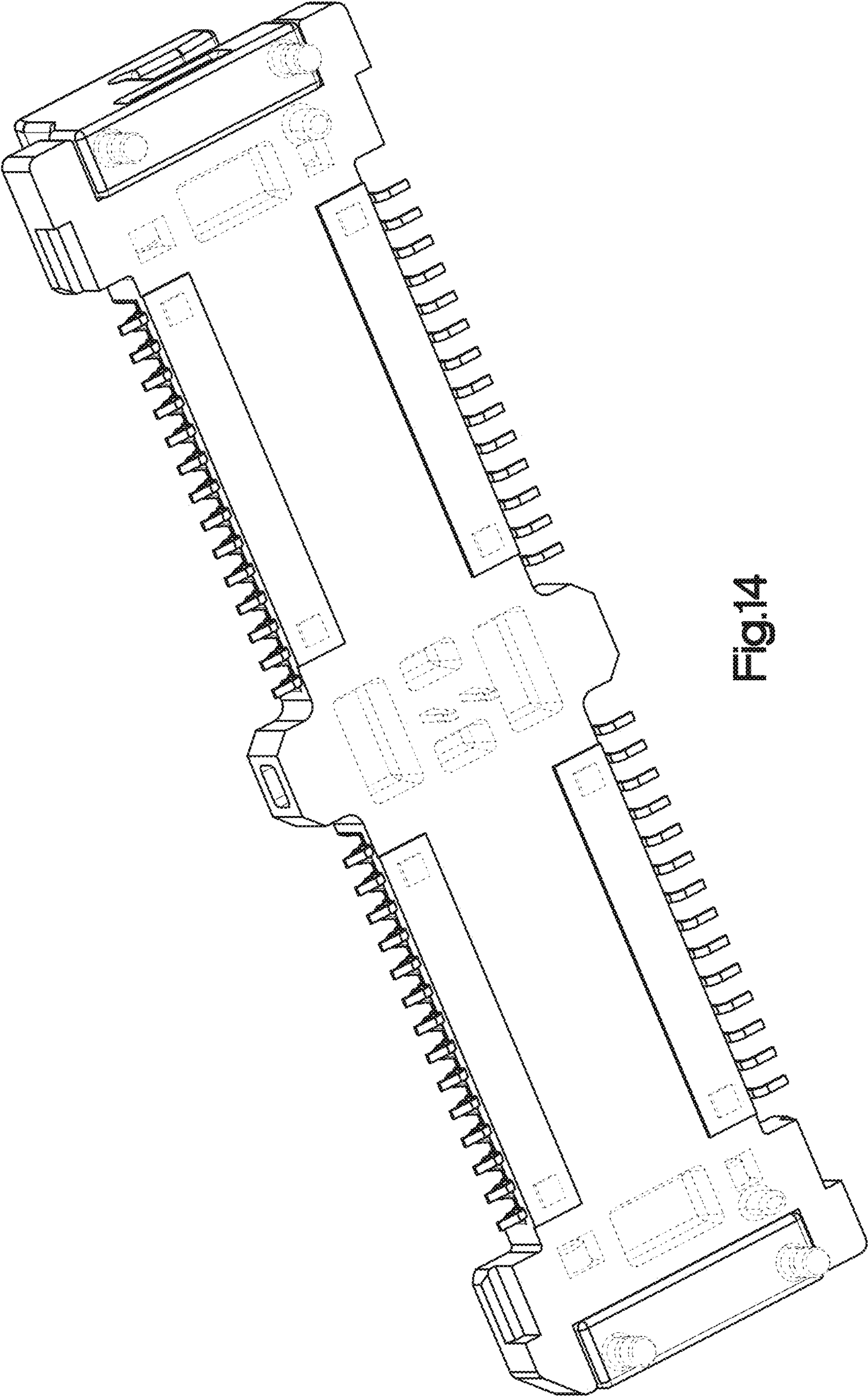


Fig.14

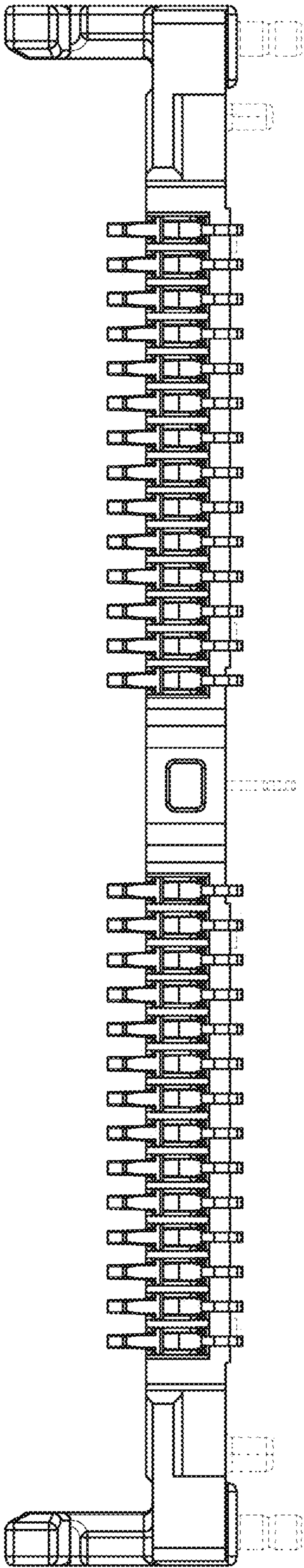


Fig.15

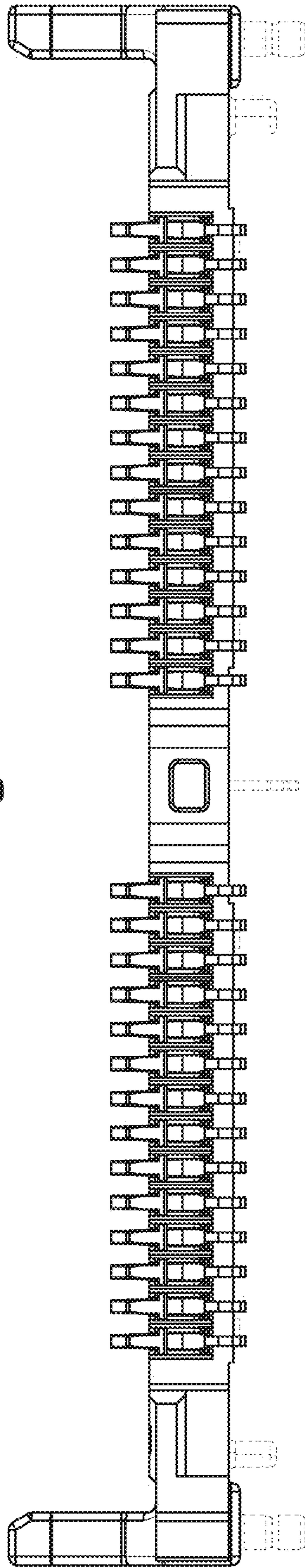


Fig.16

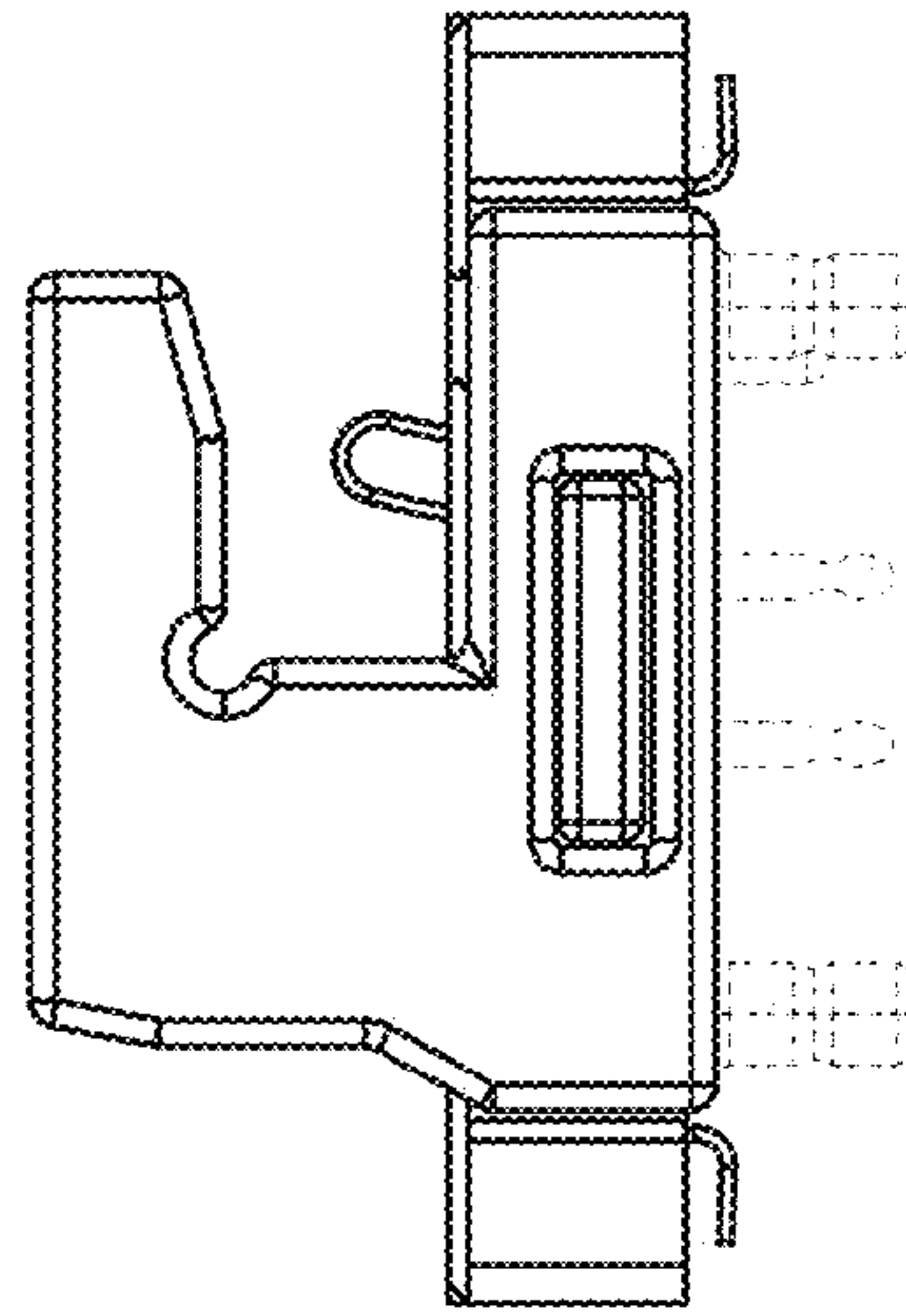


Fig.18

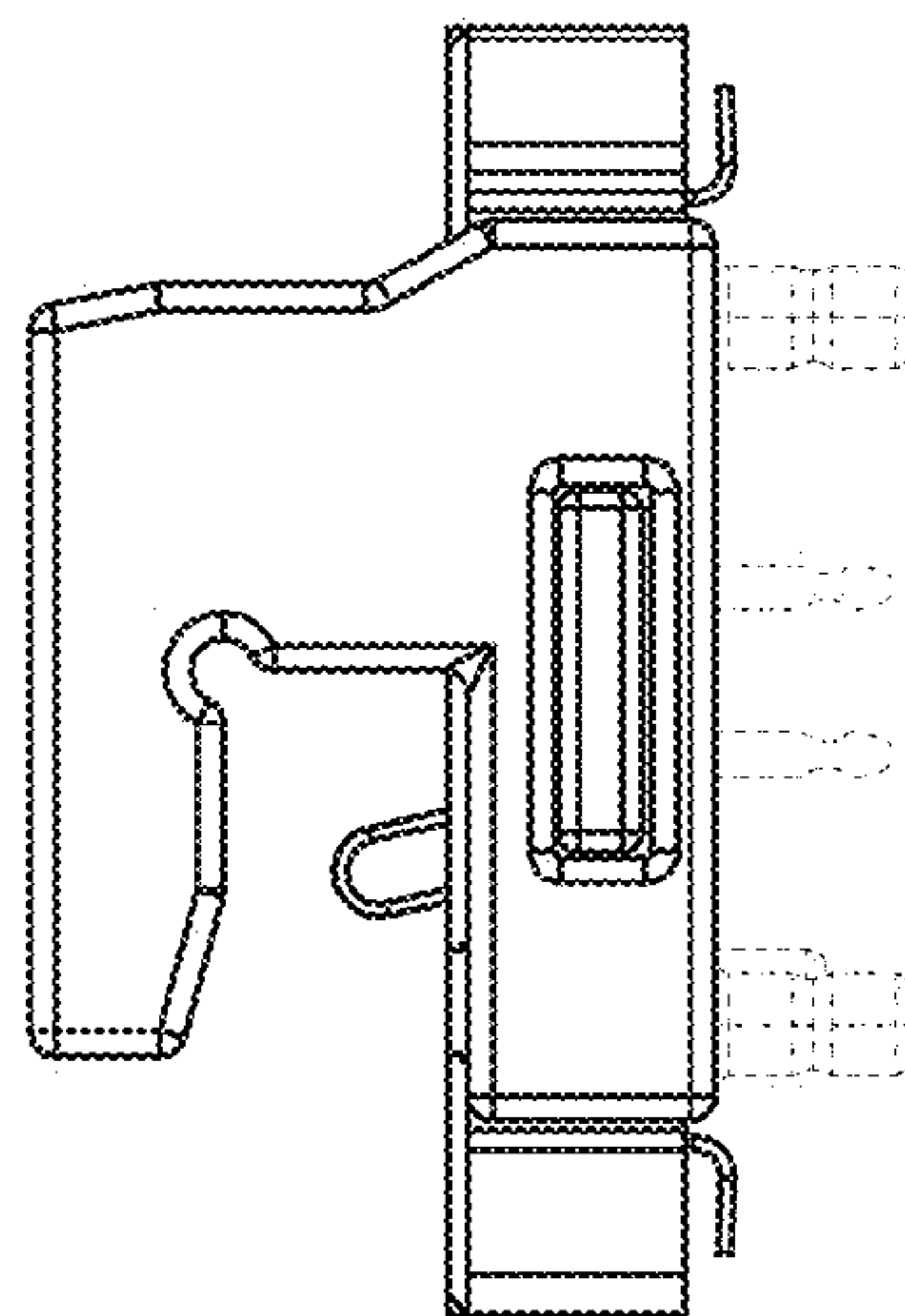


Fig.17

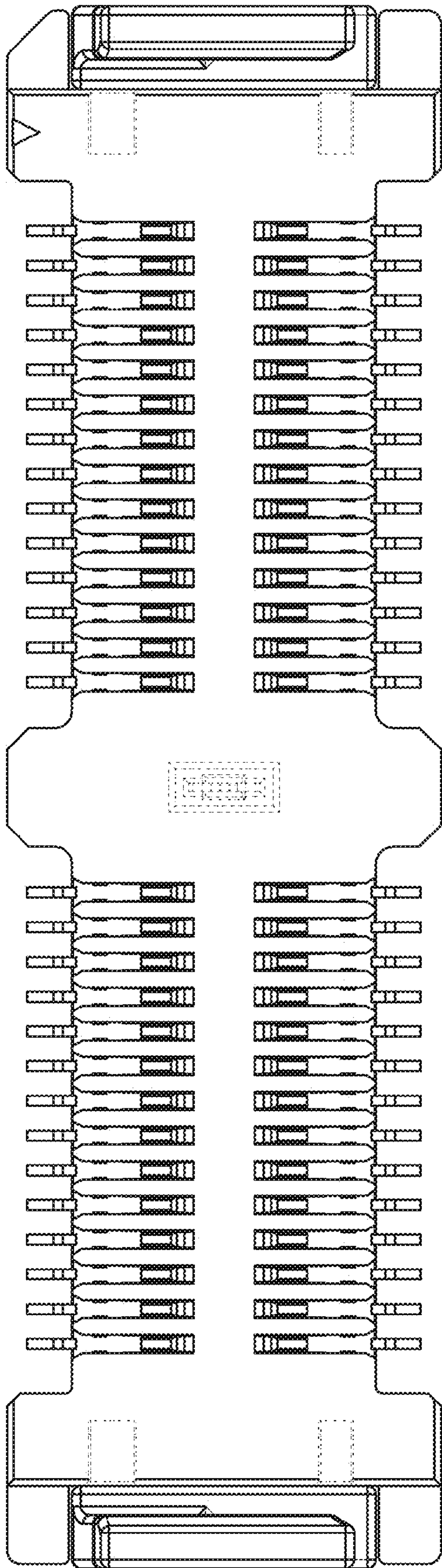


Fig.19

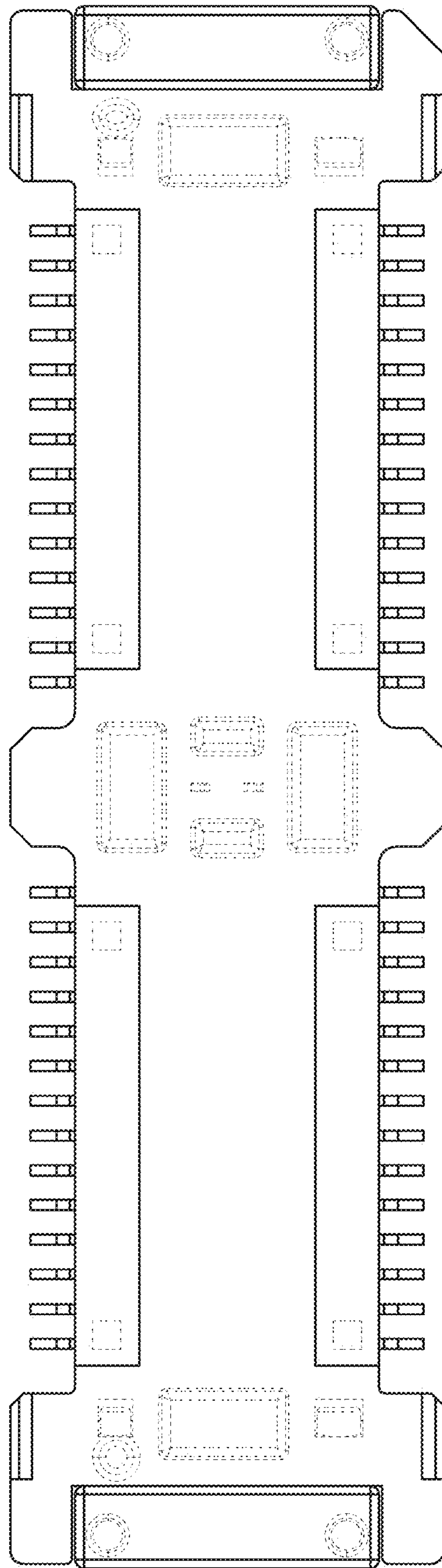


Fig.20