



US00D960105S

(12) **United States Design Patent**  
**Imamura et al.**

(10) **Patent No.:** **US D960,105 S**  
(45) **Date of Patent:** **\*\* Aug. 9, 2022**

- (54) **ELECTRICAL CONNECTOR**
- (71) Applicant: **SMK Corporation**, Tokyo (JP)
- (72) Inventors: **Tomohiro Imamura**, Tokyo (JP);  
**Shuichi Uruwashi**, Ibaraki (JP); **Shinya Okumura**, Kanagawa (JP)
- (73) Assignee: **SMK Corporation**, Tokyo (JP)
- (\*\*) Term: **15 Years**
- (21) Appl. No.: **29/746,310**
- (22) Filed: **Aug. 13, 2020**
- (30) **Foreign Application Priority Data**  
Feb. 27, 2020 (JP) ..... 2020-003677 D
- (51) **LOC (13) Cl.** ..... **13-03**
- (52) **U.S. Cl.**  
USPC ..... **D13/147; D13/133**
- (58) **Field of Classification Search**  
USPC ..... D13/119–120, 133–134, 146–147, 154,  
D13/182, 199; D14/433  
CPC ..... H01R 31/02; H01R 24/62; H01R 13/64;  
H01R 13/405; H01R 13/502; H01R  
13/4538; H01R 13/6315; H01R 13/6474;  
H01R 27/02  
See application file for complete search history.

- D698,732 S \* 2/2014 Yokoyama ..... D13/147
  - D706,719 S \* 6/2014 Yokoyama ..... D13/147
  - 8,821,174 B2 \* 9/2014 Kimura ..... H01R 13/6315  
439/248
  - D719,922 S \* 12/2014 Yokoyama ..... D13/147
  - D722,026 S \* 2/2015 Yokoyama ..... D13/147
- (Continued)

**FOREIGN PATENT DOCUMENTS**

JP	1526840 S	6/2015
JP	1659115 S	5/2020
KR	300390861	8/2005

**OTHER PUBLICATIONS**

Notification issued for counterpart Japanese Application No. 2020-003677, issued by the Japan Patent Office dated May 25, 2020.

*Primary Examiner* — Shawn T Gingrich  
*Assistant Examiner* — Bryan N. Melvin

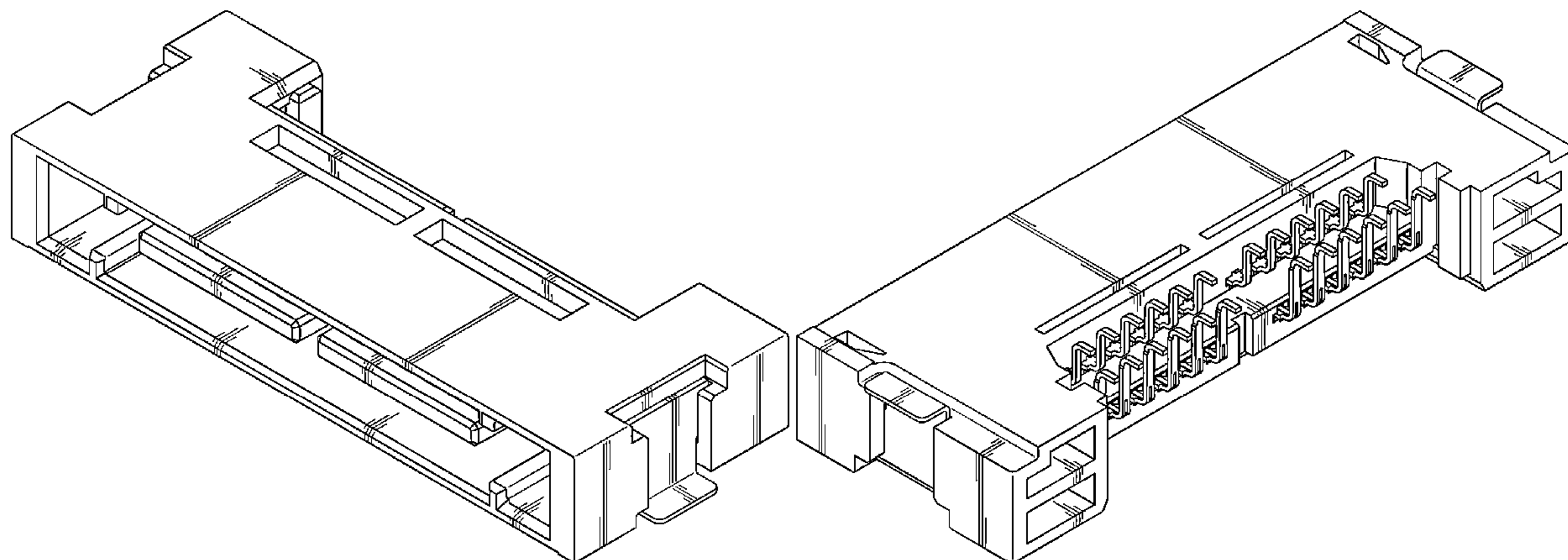
(57) **CLAIM**

The ornamental design for an electrical connector, as shown and described.

**DESCRIPTION**

FIG. 1 is a front, right, bottom perspective view of an electrical connector, showing our new design;  
 FIG. 2 is a rear, left, top perspective view thereof;  
 FIG. 3 is a front elevation view thereof;  
 FIG. 4 is a rear elevation view thereof;  
 FIG. 5 is a top plan view thereof;  
 FIG. 6 is a bottom plan view thereof; and,  
 FIG. 7 is a right side view thereof, the left side view being a mirror/inverted image.  
 The shadings in the figures show contour and not surface ornamentation.  
 The broken lines in the drawings illustrate portions of the electrical connector that form no part of the claimed design.

**1 Claim, 7 Drawing Sheets**



(56)

**References Cited**

U.S. PATENT DOCUMENTS

2010/0087098	A1 *	4/2010	Sloey .....	H01R 24/62
				439/660
2013/0149914	A1 *	6/2013	Tu .....	H01R 24/62
				439/686

\* cited by examiner

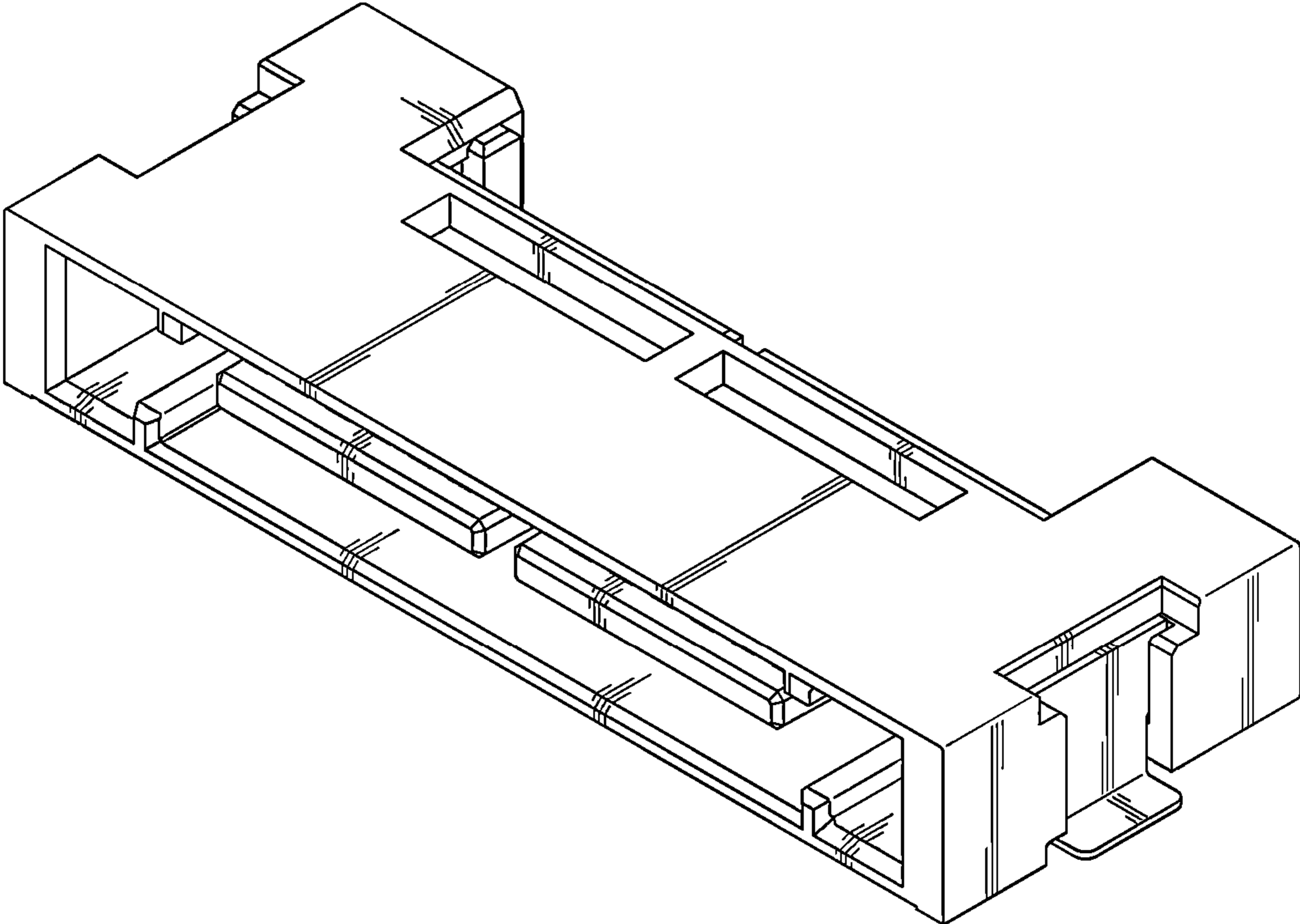
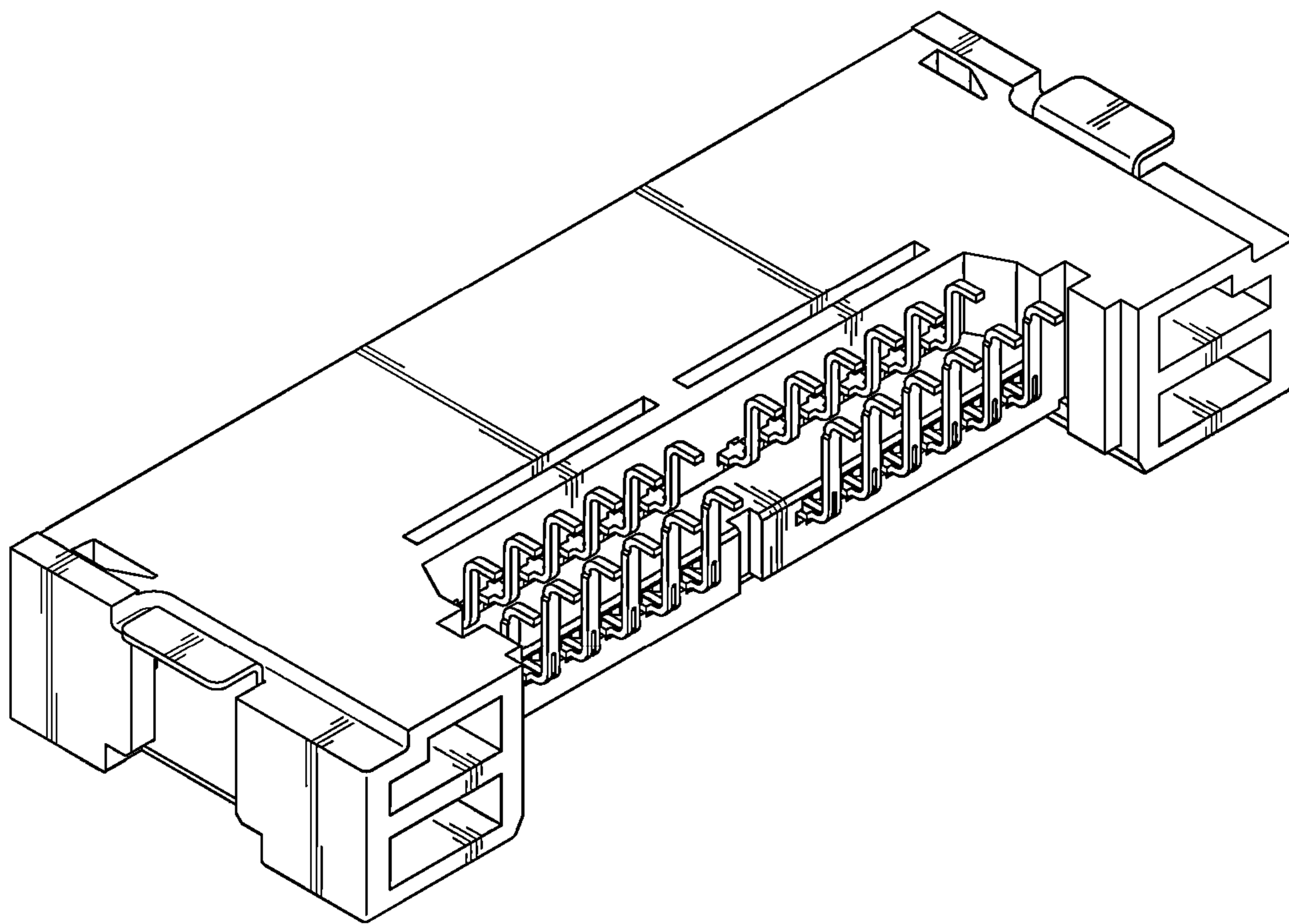


Fig. 1



*Fig.2*

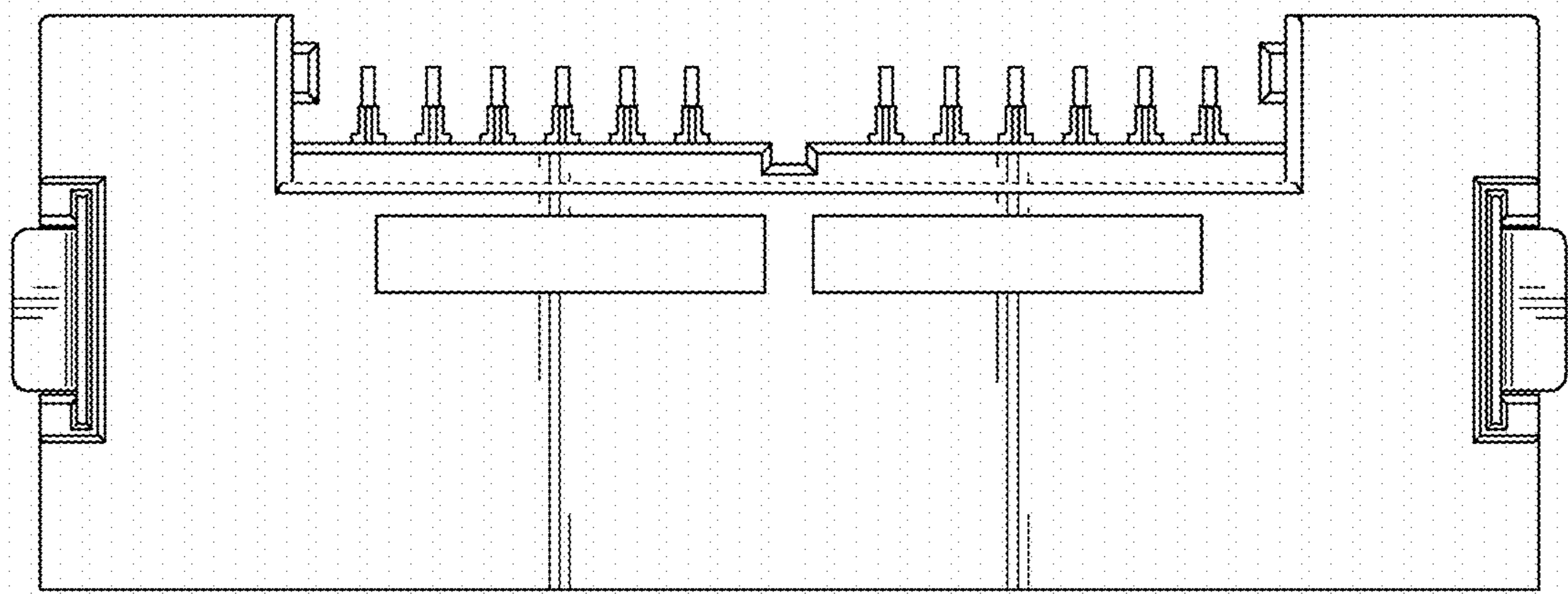
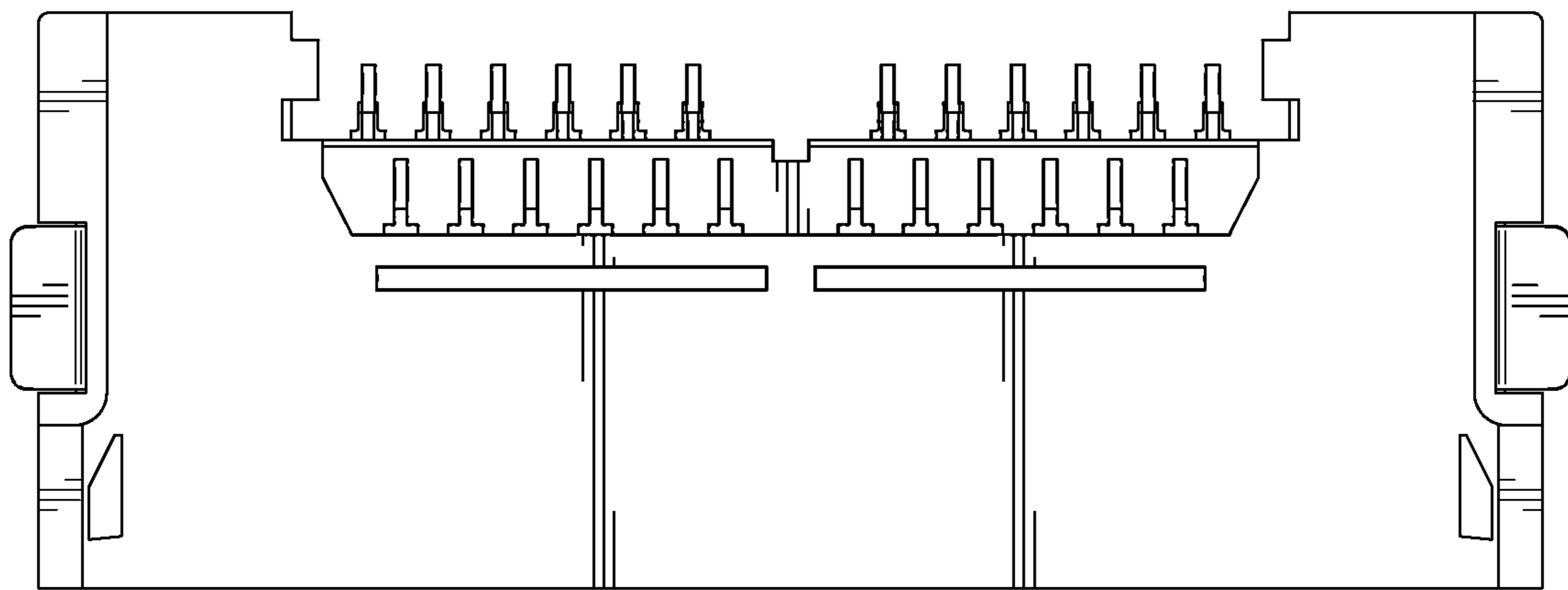
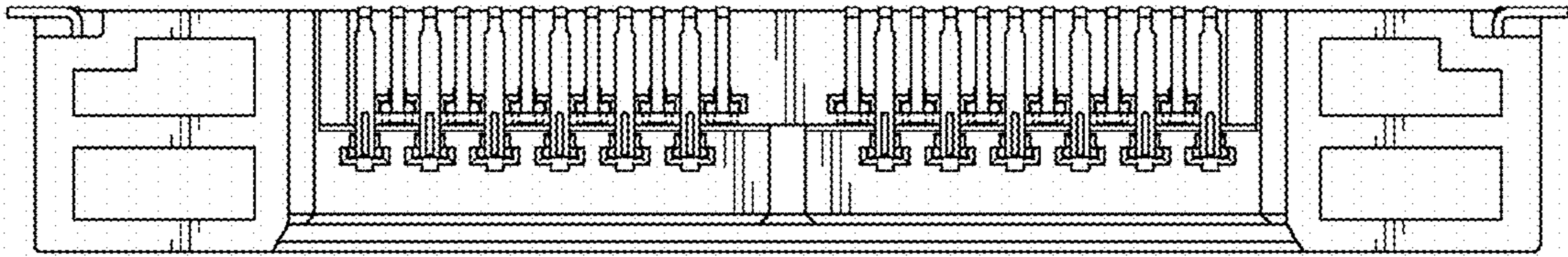


Fig. 3



*Fig.4*



*Fig. 5*

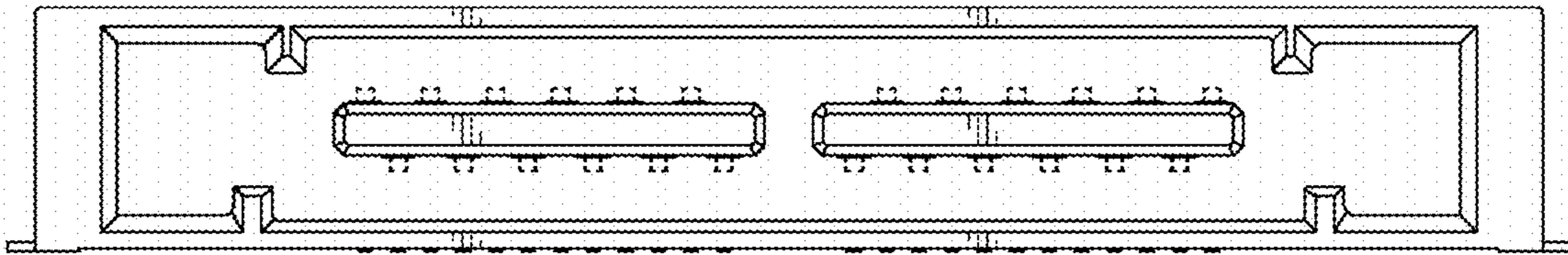
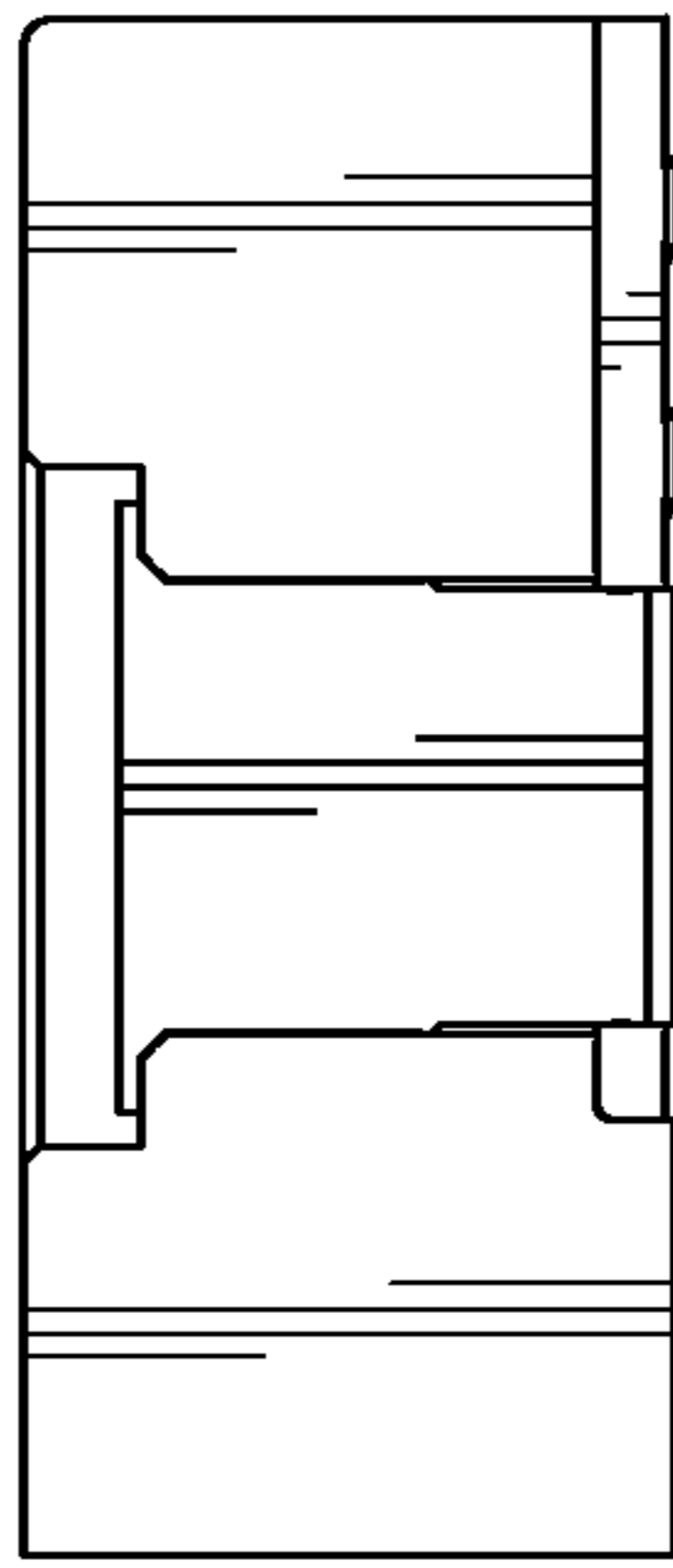


Fig. 6





*Fig. 7*