



US00D960104S

(12) **United States Design Patent** (10) **Patent No.:** **US D960,104 S**
Rodriguez (45) **Date of Patent:** **** Aug. 9, 2022**

(54) **FIBER OPTIC APPARATUS**
(71) Applicant: **CORNING RESEARCH & DEVELOPMENT CORPORATION**, Corning, NY (US)
(72) Inventor: **Diana Rodriguez**, Fort Worth, TX (US)
(73) Assignee: **Corning Research & Development Corporation**, Corning, NY (US)
(**) Term: **15 Years**
(21) Appl. No.: **29/715,393**
(22) Filed: **Dec. 2, 2019**
(51) **LOC (13) Cl.** **13-03**
(52) **U.S. Cl.**
USPC **D13/147**
(58) **Field of Classification Search**
USPC D13/101, 123, 133, 146, 147, 154, 156, D13/184, 199; D14/432, 433, 434, 435, D14/435.1, 438
CPC .. H04J 14/02; G02B 6/38; G02B 6/44; G02B 6/3853; G02B 6/3897; G02B 6/4453; G02B 6/4471; G02B 6/4452; H04Q 11/0005
See application file for complete search history.

2015/0268436 A1* 9/2015 Blackwell, Jr. G02B 6/3897 385/135
2017/0153399 A1* 6/2017 Rodriguez G02B 6/4454
2017/0269318 A1* 9/2017 Giraud G02B 6/4455
2019/0037286 A1 1/2019 Ghuman et al.
2019/0140765 A1 5/2019 Ghuman
2020/0132957 A1* 4/2020 Beri G02B 6/3809

FOREIGN PATENT DOCUMENTS

CN 208477150 U 2/2019

* cited by examiner

Primary Examiner — Derrick E Holland

(74) *Attorney, Agent, or Firm* — Grant A. Gildehaus

(57) **CLAIM**

The ornamental design for a fiber optic apparatus, as shown and described.

DESCRIPTION

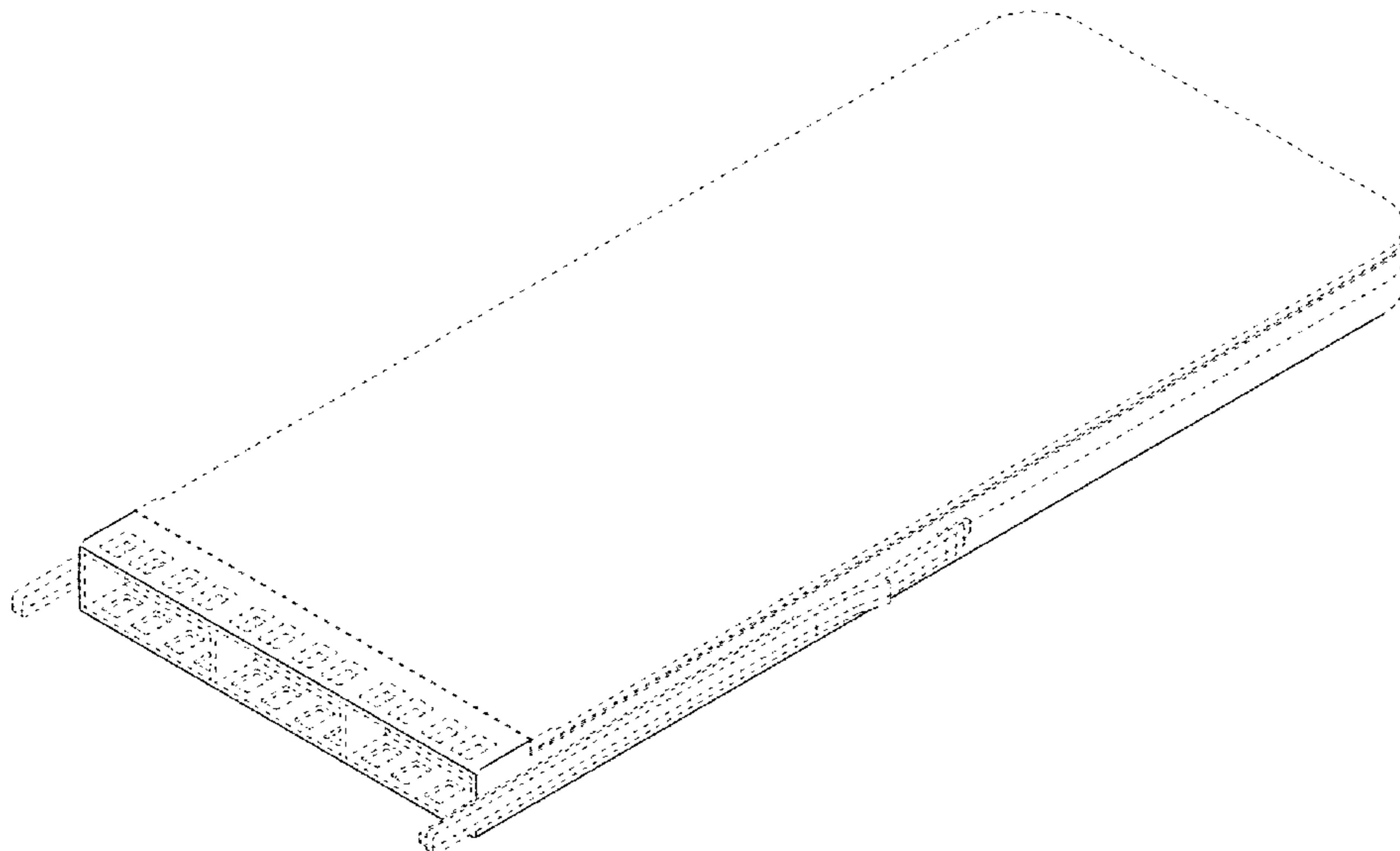
FIG. 1 is a front-top-right isometric view of a fiber optic apparatus showing the new design; FIG. 2 is a rear-bottom-left isometric view of the fiber optic apparatus of FIG. 1; FIG. 3 is a front view of the fiber optic apparatus of FIG. 1; FIG. 4 is a rear view of the fiber optic apparatus of FIG. 1; FIG. 5 is a left side view of the fiber optic apparatus of FIG. 1; FIG. 6 is a right side view of the fiber optic apparatus of FIG. 1; FIG. 7 is a top view of the fiber optic apparatus of FIG. 1; FIG. 8 is a bottom view of the fiber optic apparatus of FIG. 1; and, FIG. 9 is a front-top-right isometric view of the fiber optic apparatus of FIG. 1 shown in an alternate environmental condition. The broken dash-dash-dash lines are for the purpose of illustrating environmental structure and form no part of the claimed design.

(56) **References Cited**

U.S. PATENT DOCUMENTS

D195,722 S * 7/1963 Forney, Jr. et al. D13/149
D354,732 S * 1/1995 Oliver D13/147
D372,897 S * 8/1996 Curry D13/184
D378,085 S * 2/1997 Kerklaan D14/436
D562,818 S * 2/2008 Chen D14/435.1
D824,340 S * 7/2018 Wilcox D13/153
2012/0328258 A1* 12/2012 Barron G02B 6/4454 385/135
2014/0348467 A1* 11/2014 Cote G02B 6/3616 385/71

1 Claim, 7 Drawing Sheets



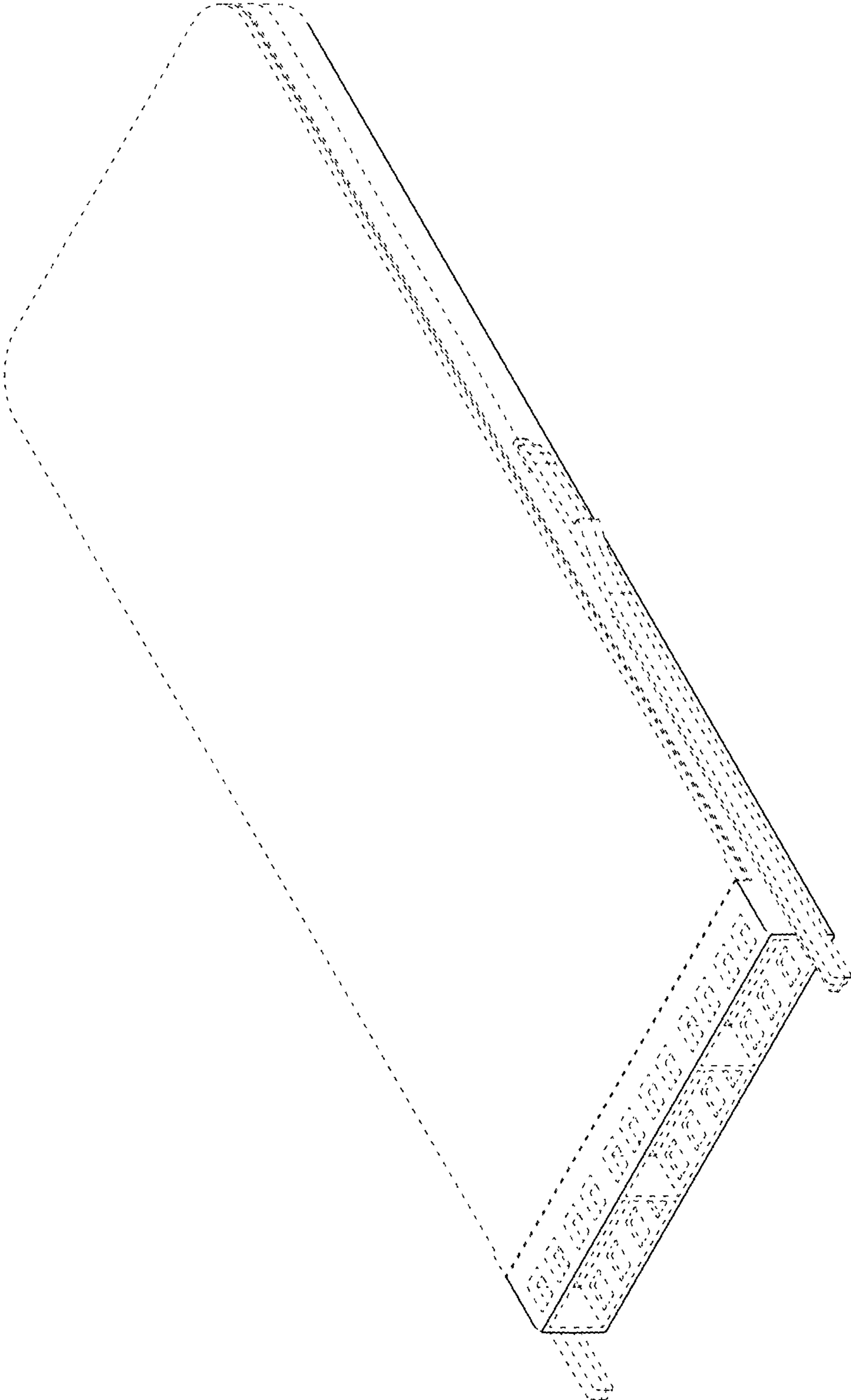


FIG. 1

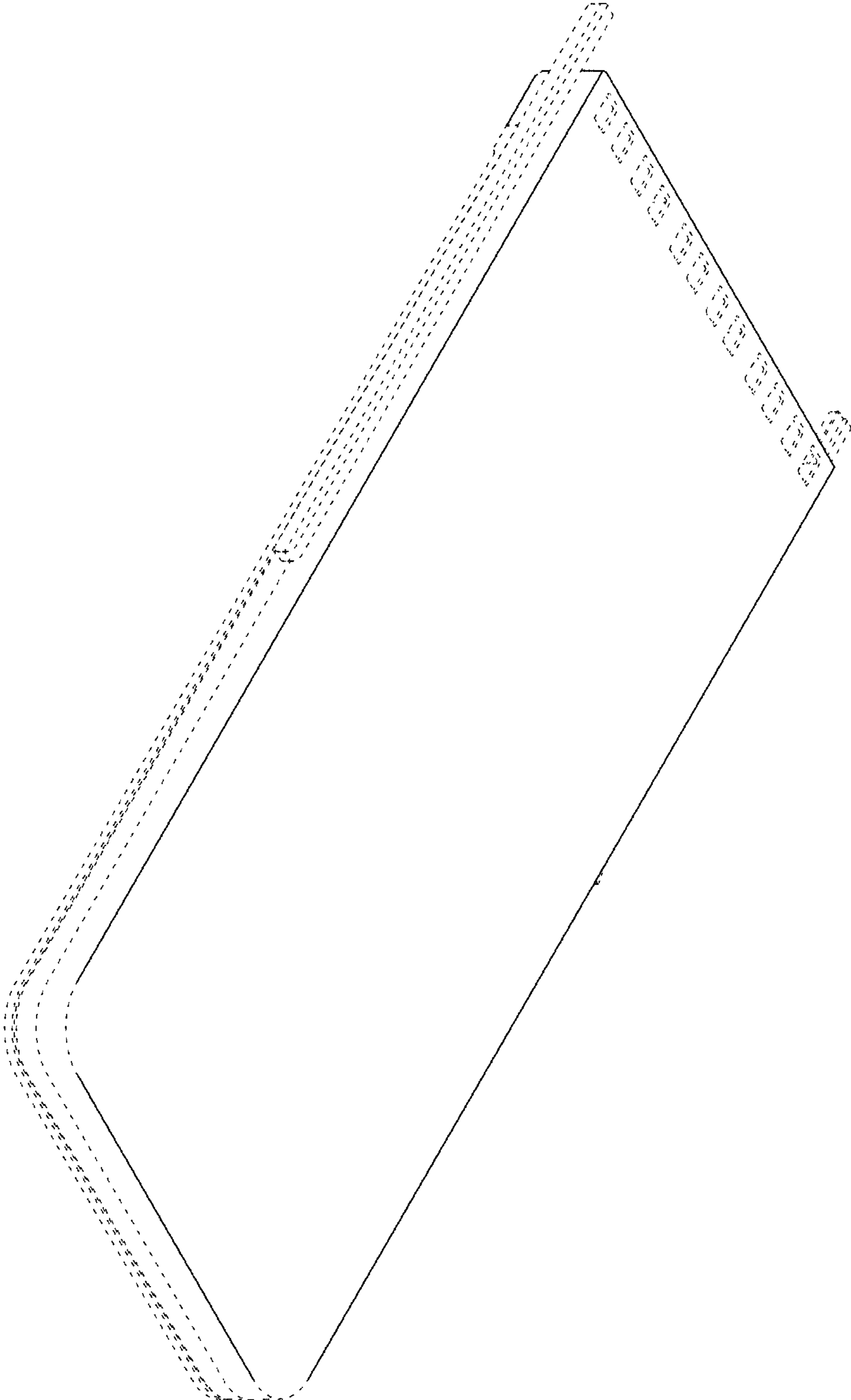


FIG. 2

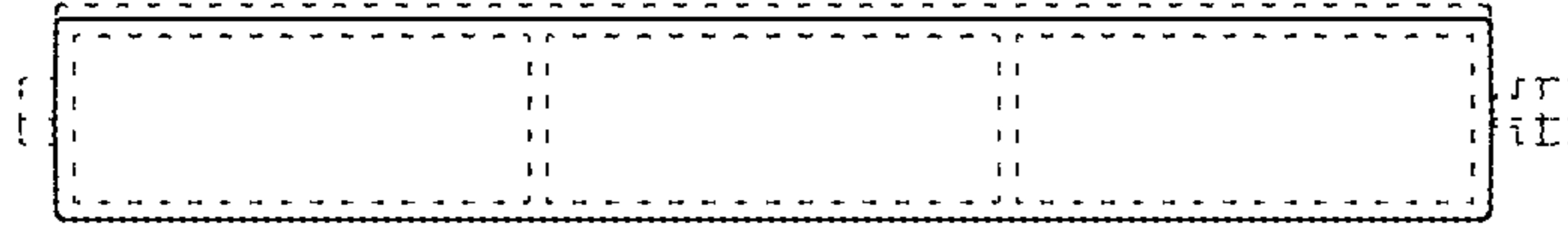


FIG. 3

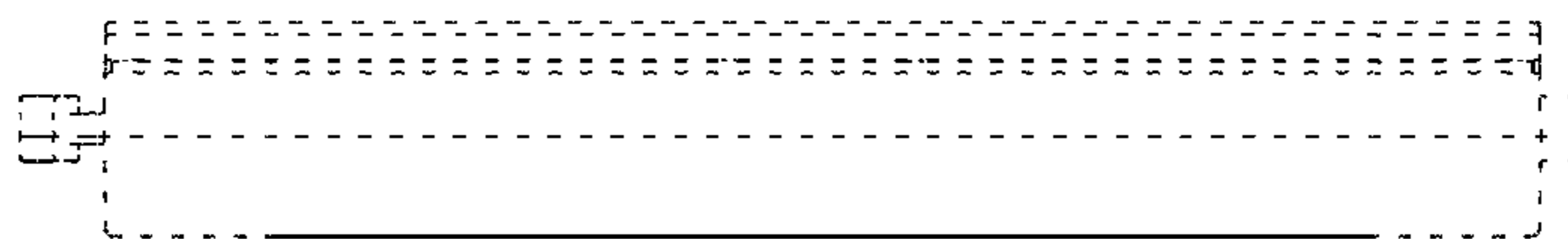


FIG. 4

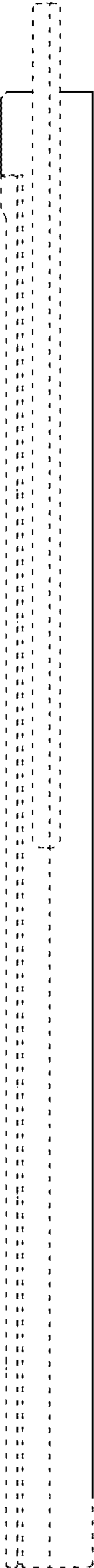


FIG. 5

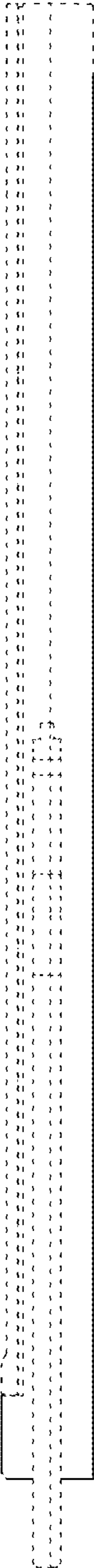


FIG. 6

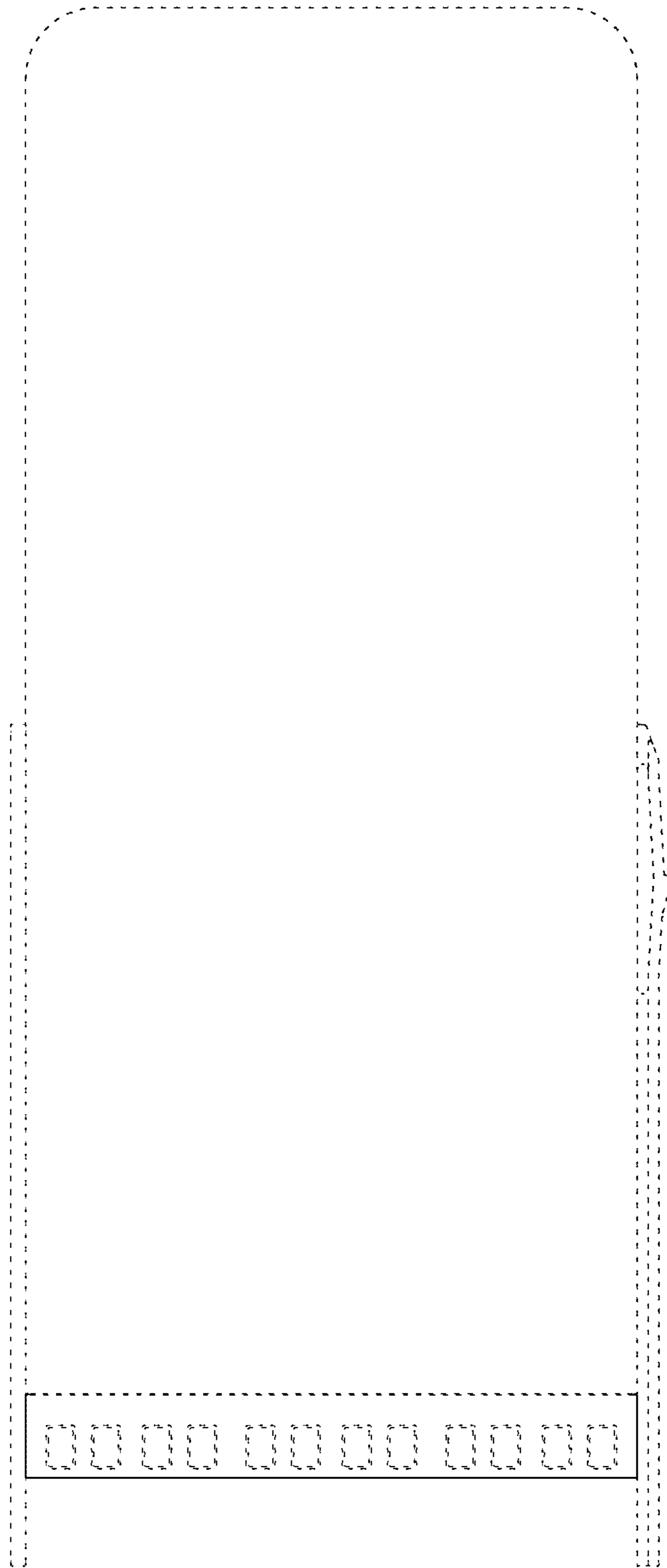


FIG. 7

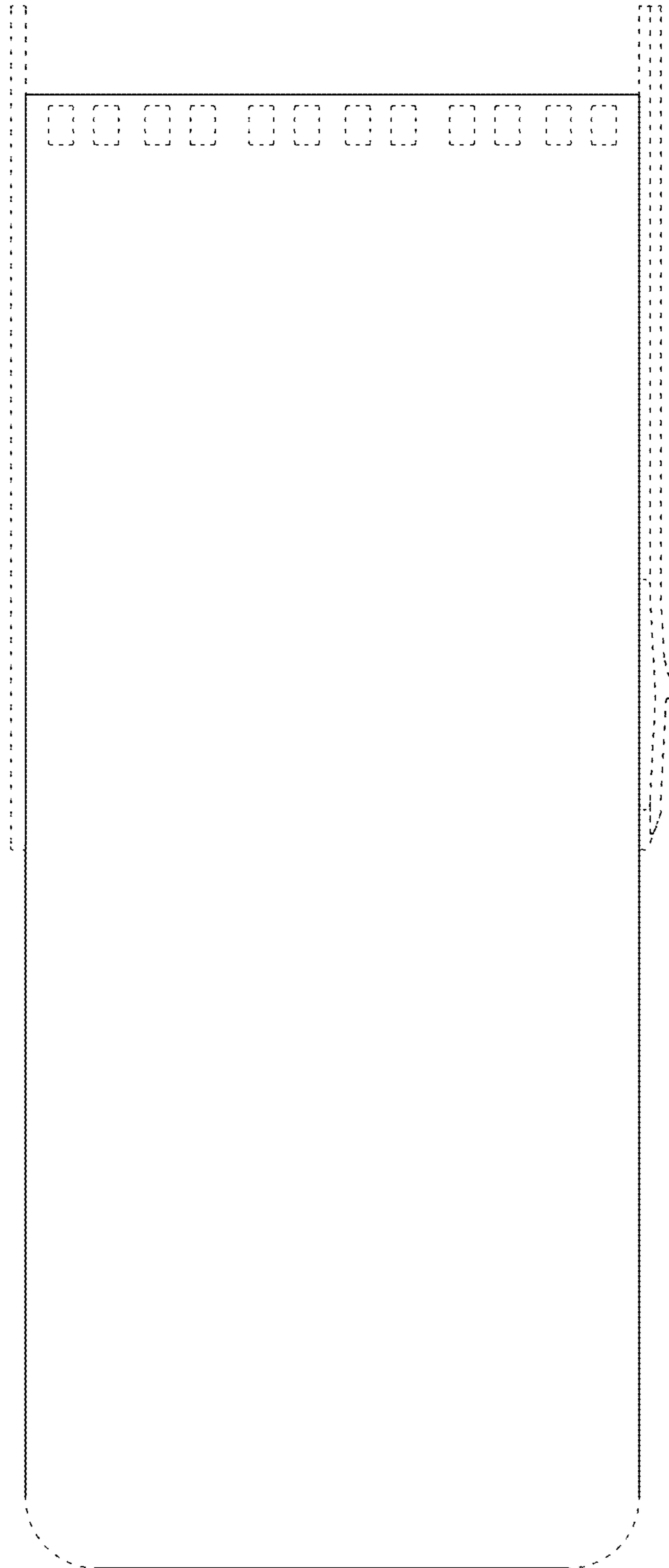


FIG. 8

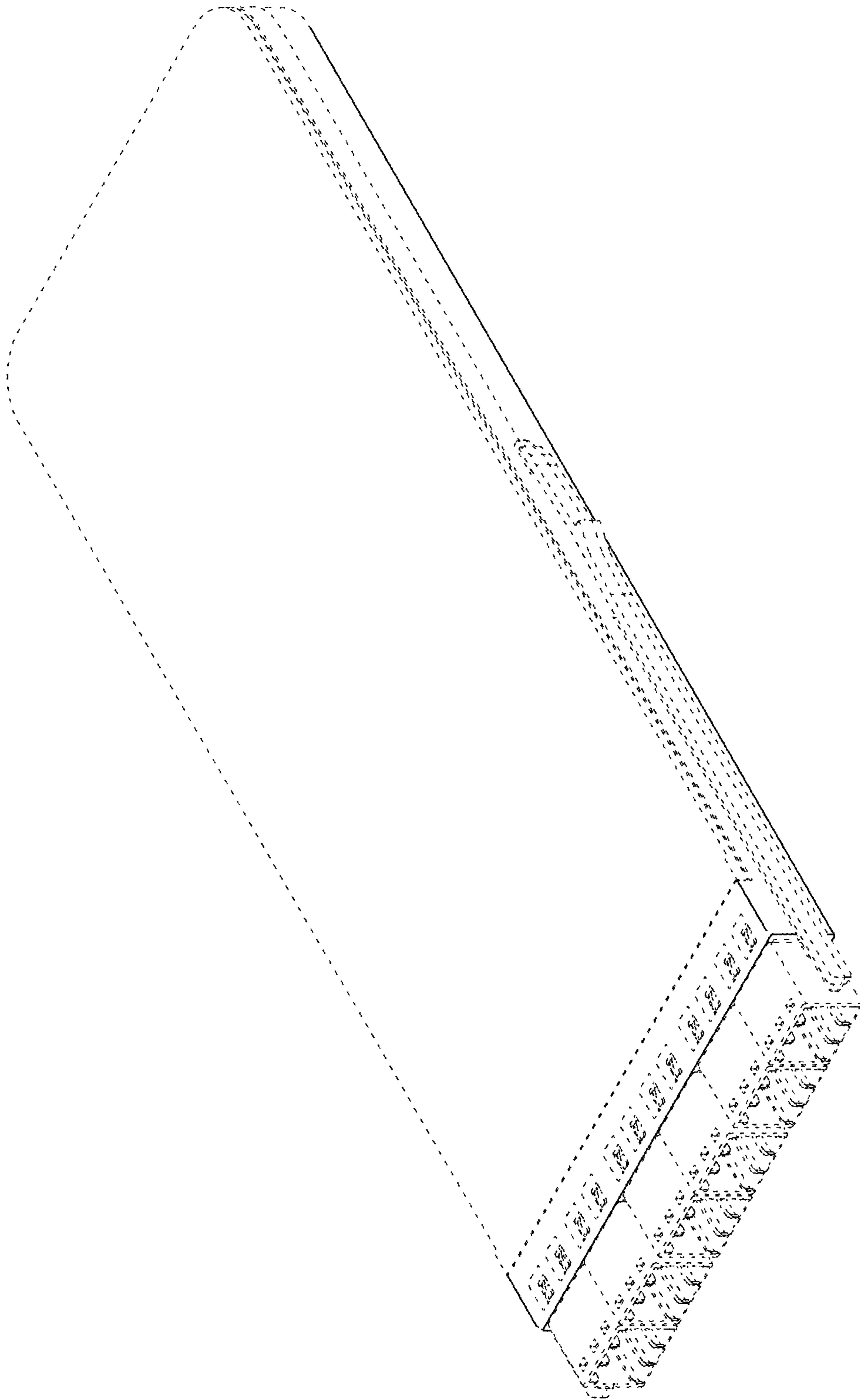


FIG. 9