



US00D960103S

(12) **United States Design Patent** (10) **Patent No.:** **US D960,103 S**
Lin (45) **Date of Patent:** **** Aug. 9, 2022**

(54) **SOCKET**

(71) Applicant: **Dongguan Wontravel Electric Co., Ltd.**, Guangdong (CN)

(72) Inventor: **Liangguan Lin**, Guangdong (CN)

(**) Term: **15 Years**

(21) Appl. No.: **29/764,560**

(22) Filed: **Dec. 30, 2020**

(30) **Foreign Application Priority Data**

Aug. 3, 2020 (CN) 202030427654.9

(51) **LOC (13) Cl.** **13-03**

(52) **U.S. Cl.**
USPC **D13/139.8**

(58) **Field of Classification Search**

USPC D13/137.1, 137.2, 137.3, 137.4, 138.1,
D13/138.2, 139.1, 139.2, 139.3, 139.4,
D13/139.5, 139.6, 139.7, 139.8, 103, 107,
D13/108, 110, 119, 123, 133, 145, 152,
D13/153, 154, 156, 158, 160, 162, 177,
D13/184, 199

CPC H01R 13/00; H01R 13/03; H01R 13/04;
H01R 13/10; H01R 13/35; H01R 13/44;
H01R 13/453; H01R 13/4534; H01R
13/502; H01R 13/514; H01R 13/631;
H01R 13/639; H01R 13/6633; H01R
13/6666; H01R 13/6675; H01R 13/7135;
H01R 31/02; H01R 31/06; H01R 31/065

See application file for complete search history.

(56) **References Cited**

U.S. PATENT DOCUMENTS

D651,974 S * 1/2012 Benedetti D13/137.2
D698,728 S * 2/2014 Chen D13/137.2
D852,138 S * 6/2019 Wen D13/137.1
D883,934 S * 5/2020 Yu D13/139.8

D885,345 S * 5/2020 Chen D13/139.8
D911,968 S * 3/2021 Li D13/137.2
D938,360 S * 12/2021 Chang D13/137.2

(Continued)

FOREIGN PATENT DOCUMENTS

GB 6104879 * 10/2020
GB 6104881 * 10/2020

(Continued)

OTHER PUBLICATIONS

“USB C Power Strip Flat Plug Extension Cord 5feet, Rootoma 2 Outlet Portable Plug Strip with 2 USB Ports (1 USB-C), Mini Nightstand Desktop Charging Station Hub for Dorm Room Cruise Travel Essentials”, first available Dec. 26, 2021. Amazon.com [https://www.amazon.com/dp/B09M7V68MZ] (Year: 2021).*

(Continued)

Primary Examiner — Rosemary K Tarcza
Assistant Examiner — Seth David Kumpf
(74) *Attorney, Agent, or Firm* — Prakash Nama; Global IP Services, PLLC

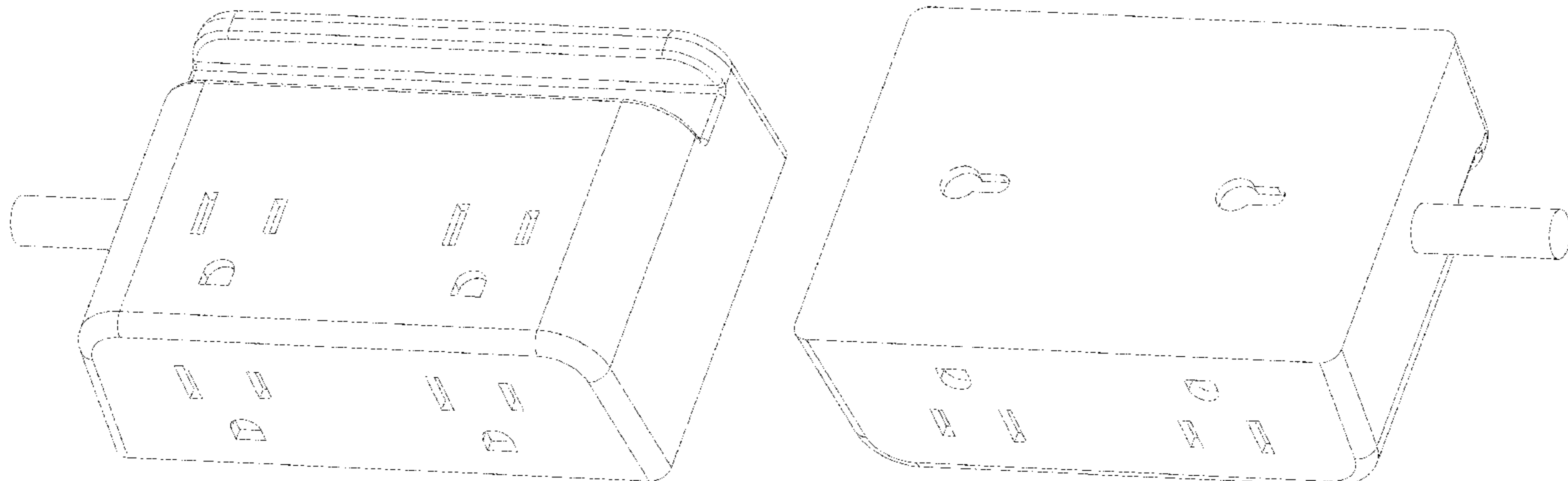
(57) **CLAIM**

The ornamental design for a socket, as shown.

DESCRIPTION

FIG. 1 is a front elevational view of a socket showing my new design;
FIG. 2 is a rear elevational view thereof;
FIG. 3 is a left side view thereof;
FIG. 4 is a right side view thereof;
FIG. 5 is a top plan view thereof;
FIG. 6 is a bottom plan view thereof;
FIG. 7 is a perspective view thereof;
FIG. 8 is a second perspective view thereof; and,
FIG. 9 is a third perspective view thereof.

1 Claim, 8 Drawing Sheets



(56)

References Cited

U.S. PATENT DOCUMENTS

2008/0088995 A1* 4/2008 Yang H01R 25/003
361/78

FOREIGN PATENT DOCUMENTS

GB 6115171 * 1/2021
GB 6127075 * 3/2021

OTHER PUBLICATIONS

“Anker Power Strip Surge Protector with USB, 6 ft Extension Cord, Flat Plug, 332 Power Strip with 6 Outlets and 3 USB Ports, Charging Station, Compact for Cruise Ship Travel, Home, Dorm Room and Office”, first available Mar. 15, 2021. Amazon.com [https://www.amazon.com/dp/B08YY9X1JV] (Year: 2021).*

“4 AC Outlets Holder Surge Protector Power Strip”, first accessed Jan. 20, 2022. WonTravel.net [http://www.wontravel.net/Productsdetail?_l=en&product_id=258] (Year: 2022).*

* cited by examiner

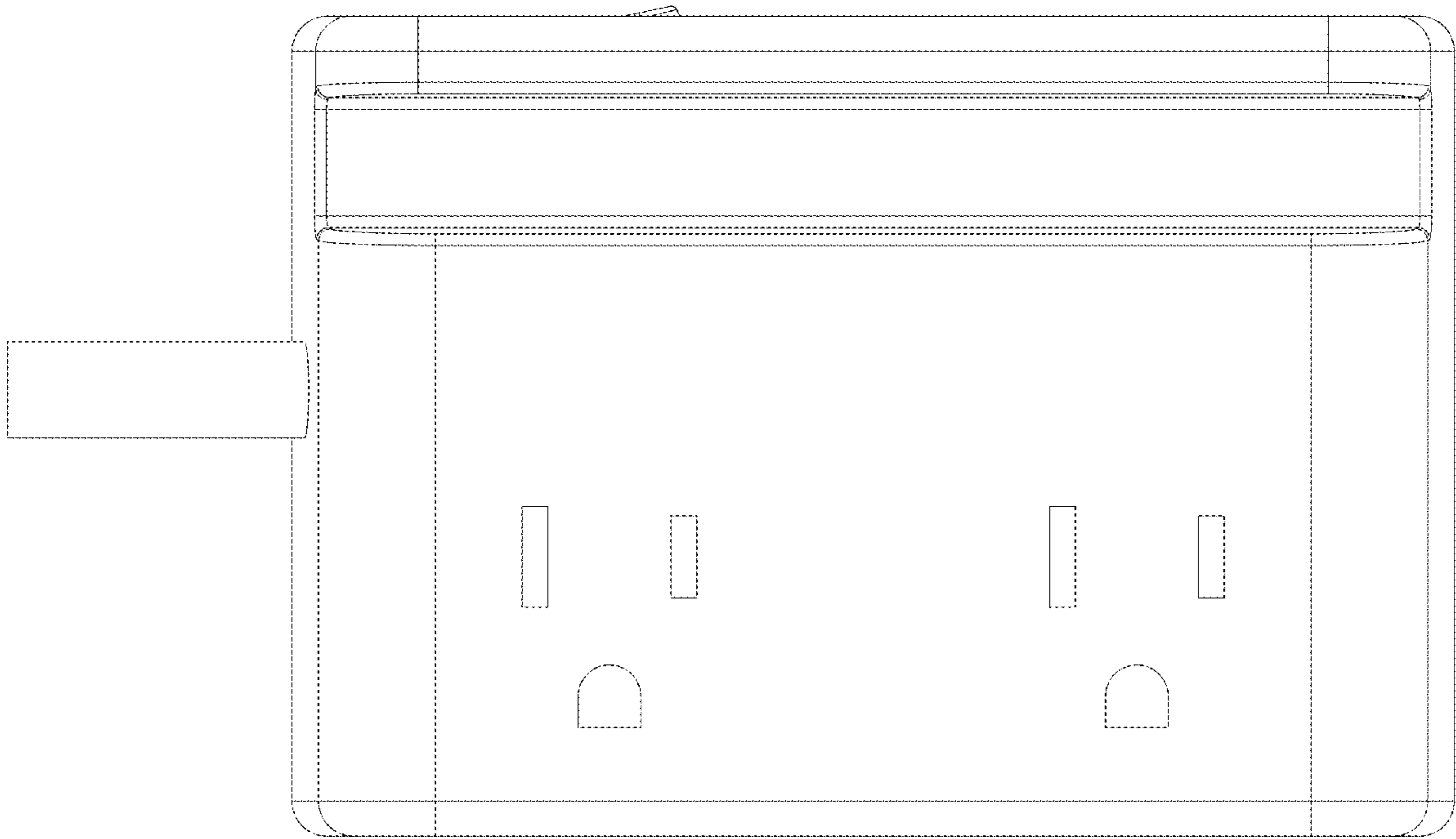


FIG. 1

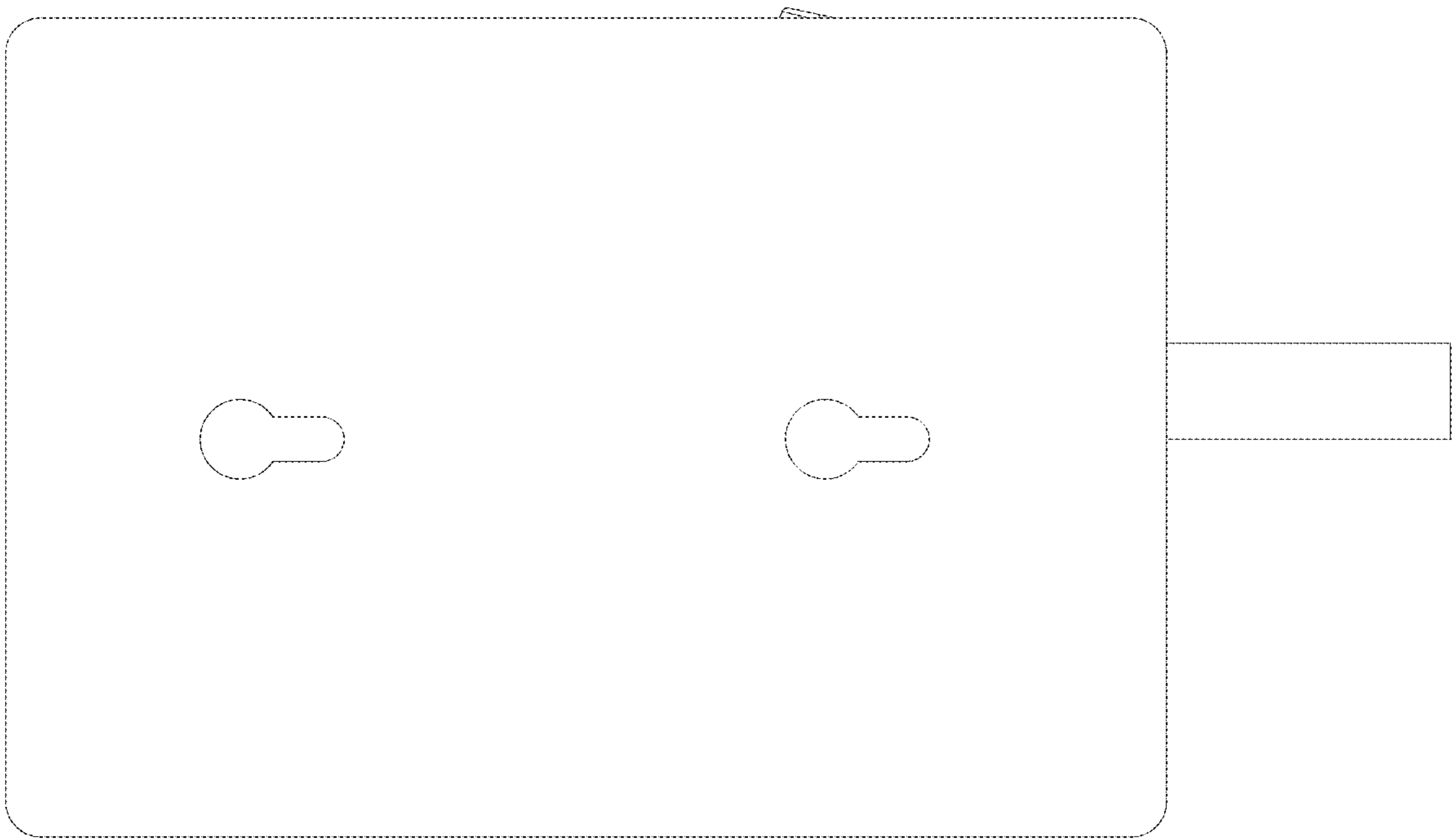


FIG. 2

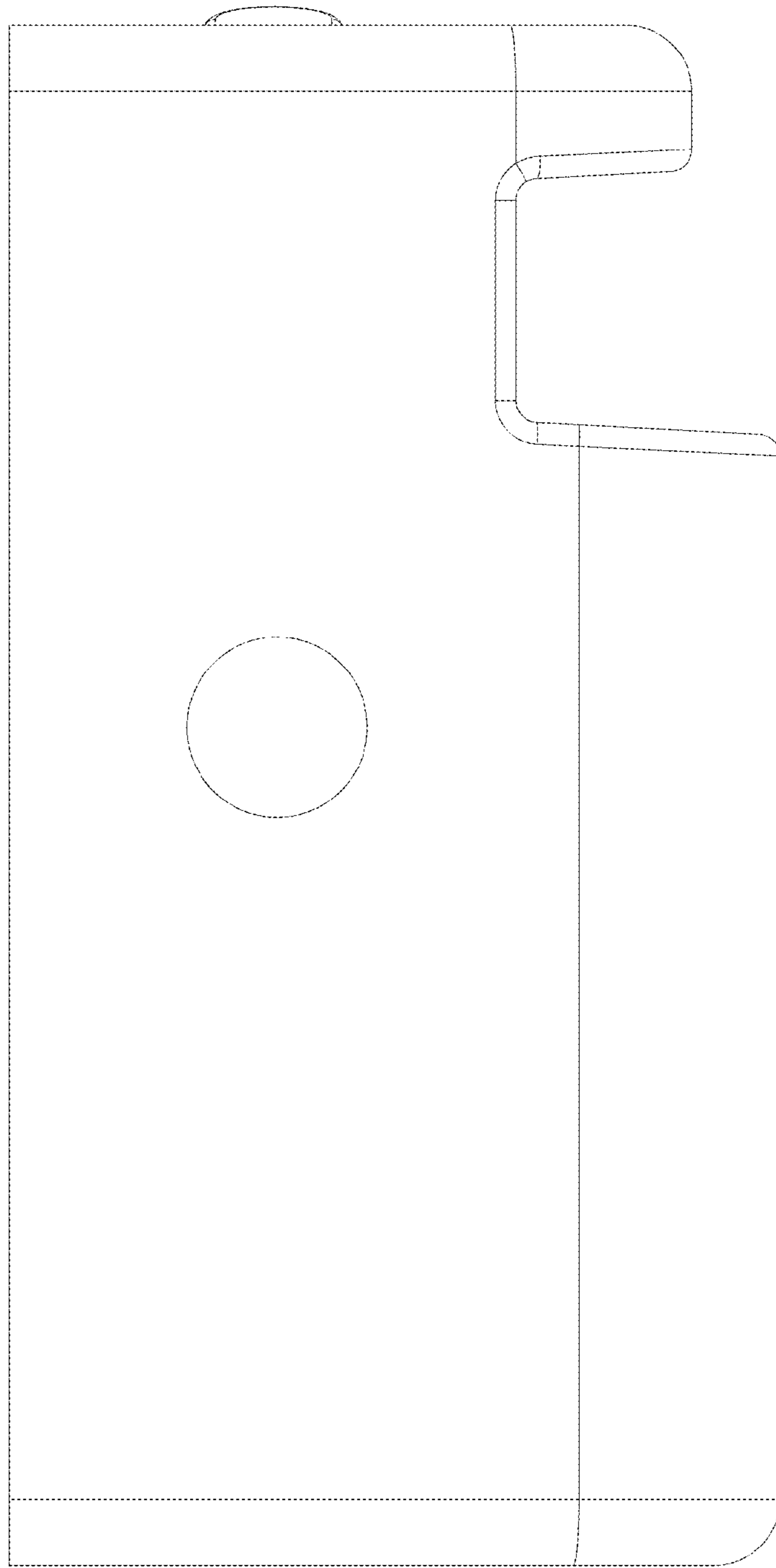


FIG. 3

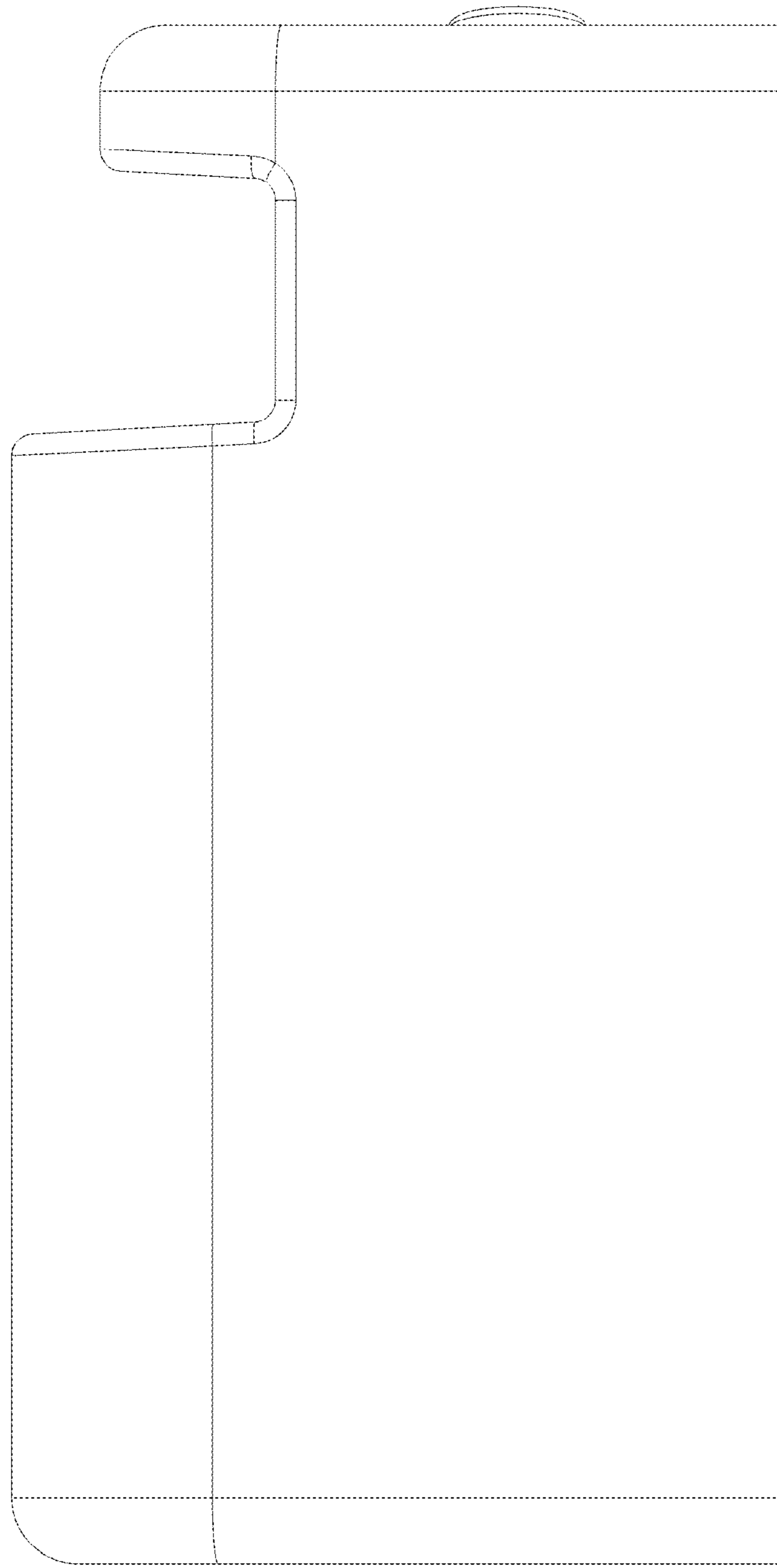


FIG. 4

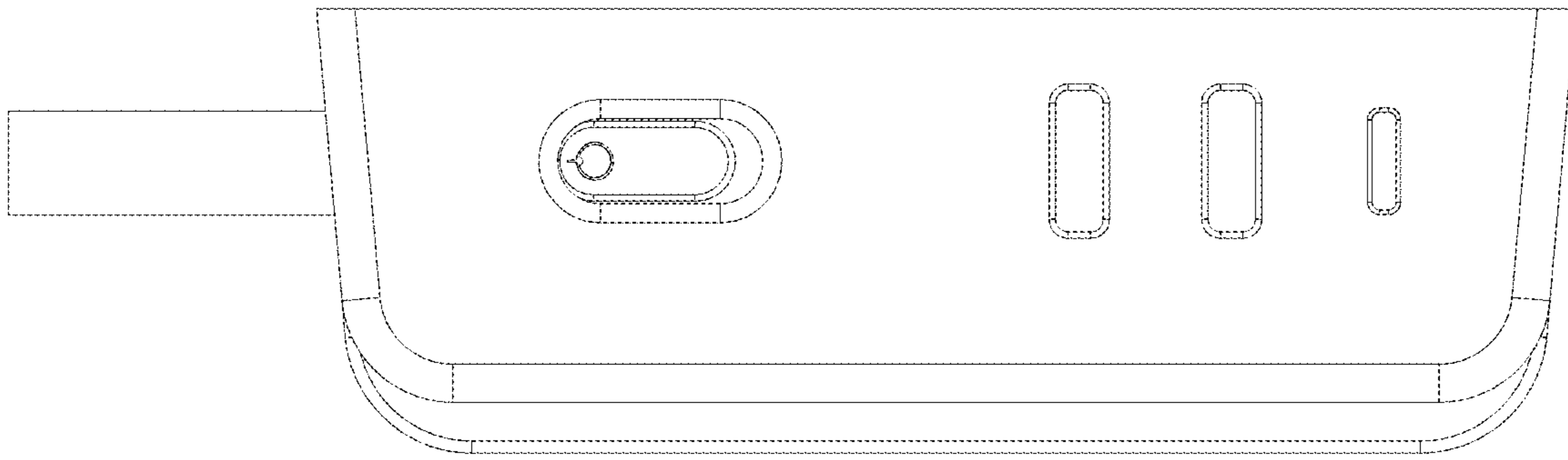


FIG. 5

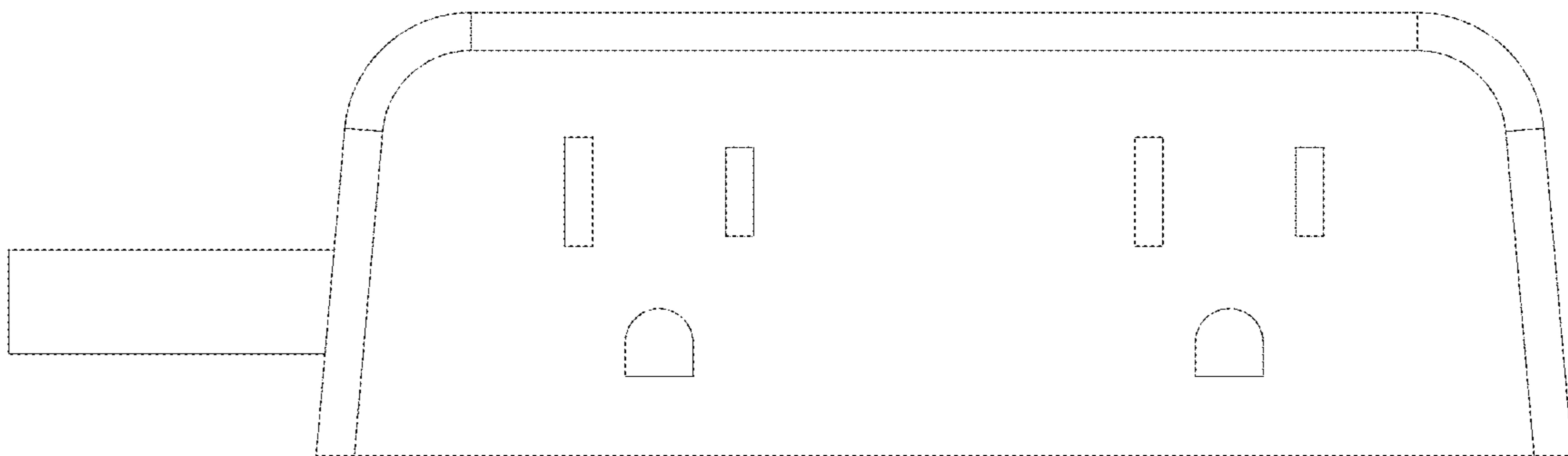


FIG. 6

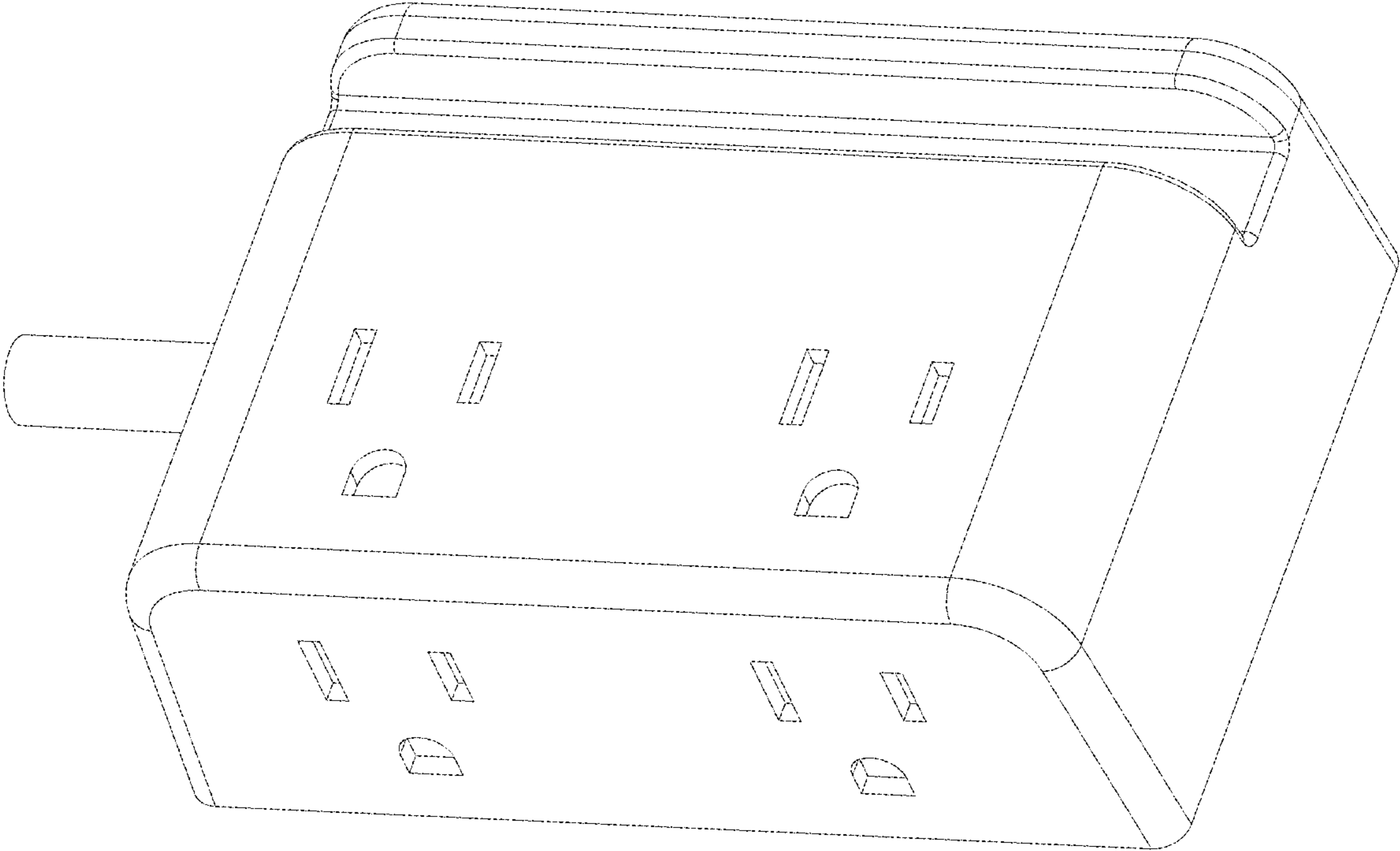


FIG. 7

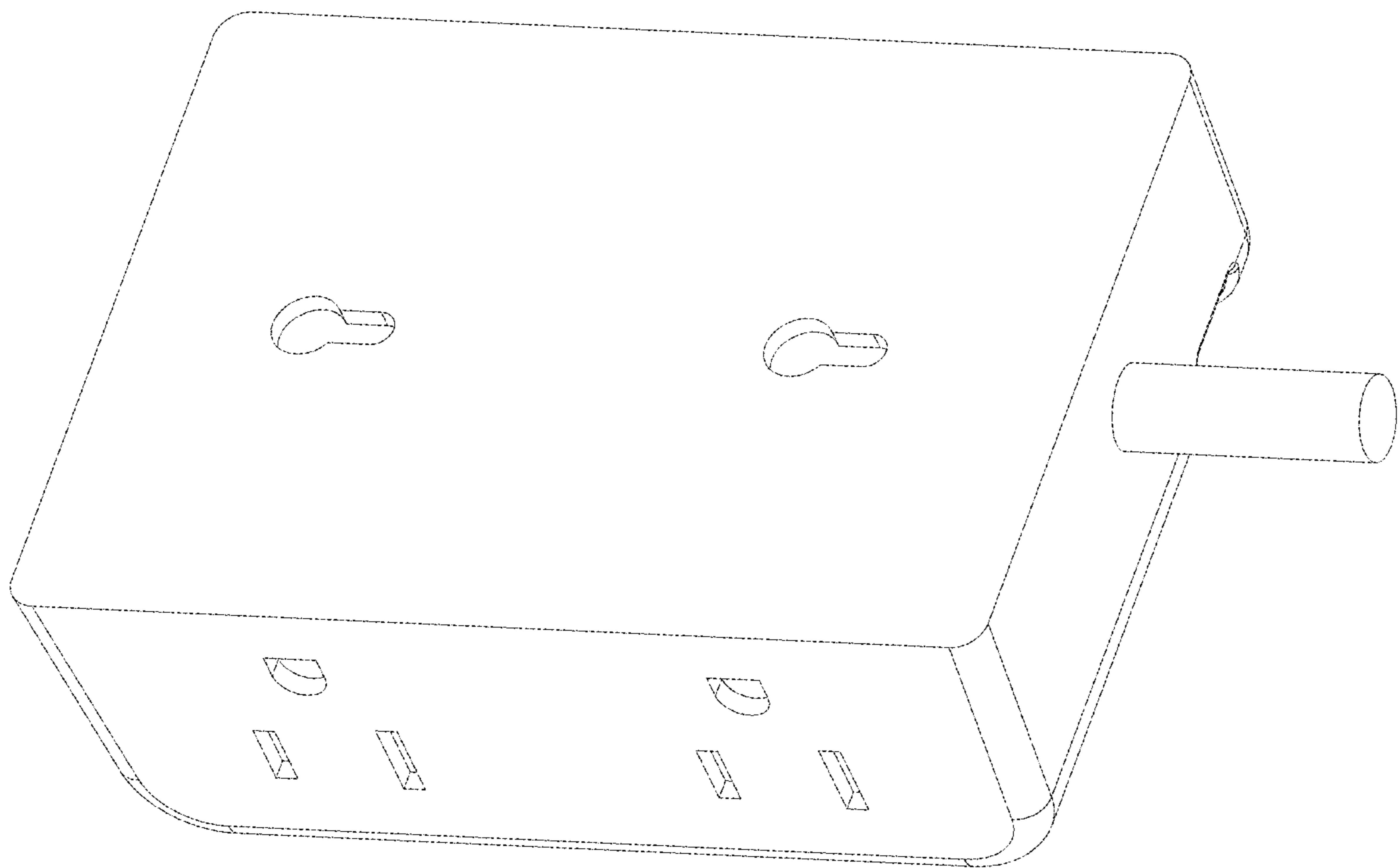


FIG. 8

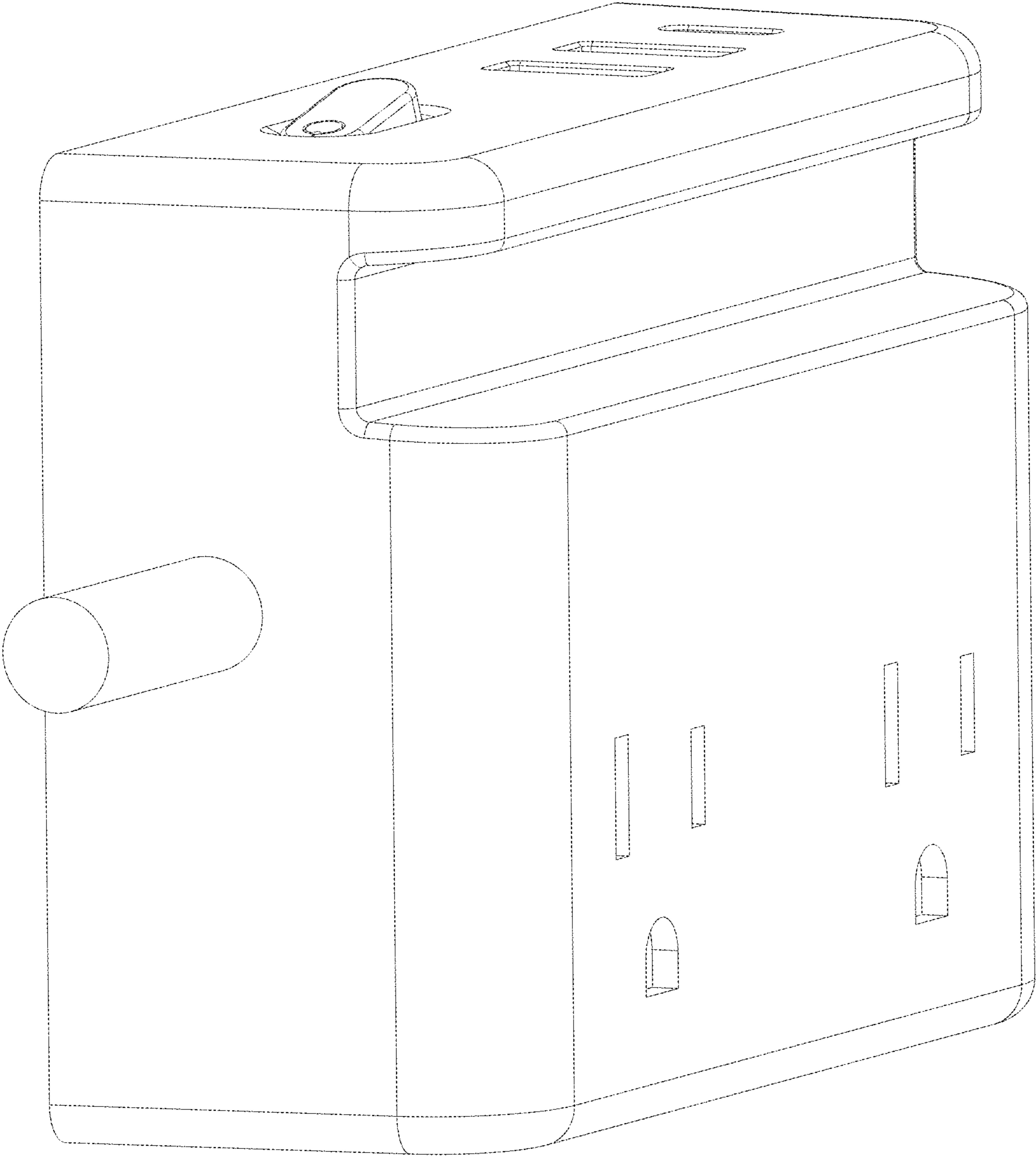


FIG. 9