



US00D960100S

(12) **United States Design Patent**  
**Lin**

(10) **Patent No.:** **US D960,100 S**  
(45) **Date of Patent:** **\*\* Aug. 9, 2022**

(54) **SOCKET**  
(71) Applicant: **Dongguan Wontravel Electric Co., Ltd., Guangdong (CN)**  
(72) Inventor: **Liangguan Lin, Guangdong (CN)**  
(\*\*) Term: **15 Years**  
(21) Appl. No.: **29/775,294**

6,692,284 B1 \* 2/2004 Koh ..... H01R 13/453  
439/346  
D626,071 S \* 10/2010 Su ..... D13/139.8  
D682,789 S \* 5/2013 Au ..... D13/137.3  
D814,420 S \* 4/2018 Chen ..... D13/137.2  
(Continued)

(22) Filed: **Mar. 23, 2021**  
(30) **Foreign Application Priority Data**

Jan. 30, 2021 (CN) ..... 202130066063.8  
(51) **LOC (13) Cl.** ..... **13-03**  
(52) **U.S. Cl.**  
USPC ..... **D13/137.2**  
(58) **Field of Classification Search**  
USPC ..... D13/137.1, 137.2, 137.3, 137.4, 138.1,  
D13/138.2, 139.1, 139.2, 139.3, 139.4,  
D13/139.5, 139.6, 139.7, 139.8, 103, 107,  
D13/108, 110, 119, 123, 133, 145, 152,  
D13/153, 154, 156, 158, 160, 162, 177,  
D13/184, 199  
CPC ..... H01R 13/00; H01R 13/03; H01R 13/04;  
H01R 13/10; H01R 13/35; H01R 13/44;  
H01R 13/453; H01R 13/4534; H01R  
13/502; H01R 13/514; H01R 13/631;  
H01R 13/639; H01R 13/6633; H01R  
13/6666; H01R 13/6675; H01R 13/7135;  
H01R 31/02; H01R 31/06; H01R 31/065  
See application file for complete search history.

**FOREIGN PATENT DOCUMENTS**

GB 6115169 \* 1/2021

**OTHER PUBLICATIONS**

“Outlet Extender Surge Protector, Multi Plug Outlet Splitter with USB Ports (Support PD20W USB C-QC3.0) 6 Outlets 1800J Wall Charger ,Plug Adapter, Wall Mount Power Strip for Home Office UL/ETL Listed”, first available Aug. 31, 2021. Amazon.com [https://www.amazon.com/dp/B09CQK468D] (Year: 2021).\*  
(Continued)

*Primary Examiner* — Rosemary K Tarcza  
*Assistant Examiner* — Seth David Kumpf  
(74) *Attorney, Agent, or Firm* — Prakash Nama; Global IP Services, PLLC

(57) **CLAIM**

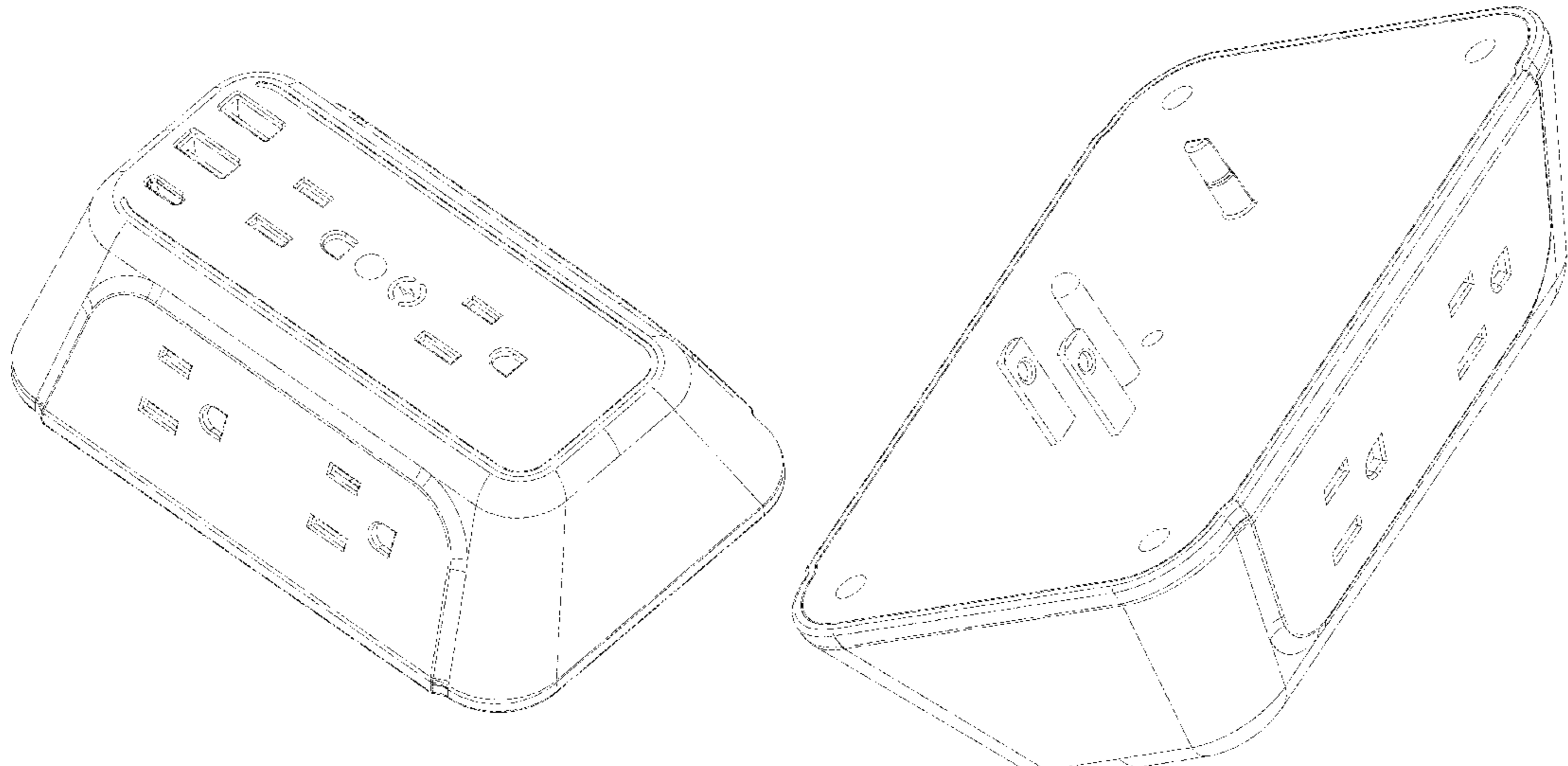
The ornamental design for a socket, as shown and described.

**DESCRIPTION**

FIG. 1 is a front elevational view of a socket showing my new design;  
FIG. 2 is a rear elevational view thereof;  
FIG. 3 is a left side view thereof;  
FIG. 4 is a right side view thereof;  
FIG. 5 is a top plan view thereof;  
FIG. 6 is a bottom plan view thereof;  
FIG. 7 is a perspective view thereof;  
FIG. 8 is a second perspective view thereof; and,  
FIG. 9 is a third perspective view thereof.  
The broken lines shown in the drawings illustrate portions of the socket that form no part of the claimed design.

**1 Claim, 8 Drawing Sheets**

(56) **References Cited**  
**U.S. PATENT DOCUMENTS**  
D367,037 S \* 2/1996 Fladung ..... D13/137.2  
D367,038 S \* 2/1996 Fladung ..... D13/137.2  
D370,459 S \* 6/1996 Boesel ..... D13/137.2  
D442,916 S \* 5/2001 Tong ..... D13/137.2



(56)

**References Cited**

U.S. PATENT DOCUMENTS

D924,807 S \* 7/2021 Bao ..... D13/137.2  
D924,808 S \* 7/2021 Bao ..... D13/137.2  
2016/0226242 A1\* 8/2016 Lu ..... H01R 13/7175  
2017/0294732 A1\* 10/2017 Monzaviyan ..... H01R 13/447

OTHER PUBLICATIONS

“USB Wall Charger, Surge Protector, QINLIANF 5 Outlet Extender with 4 USB Charging Ports (4.8A Total) 3-Sided 1680J Power Strip Multi Plug Outlets Wall Adapter Spaced for Home Travel Office (3UIC)”, first available Dec. 23, 2020. Amazon.com [ <https://www.amazon.com/dp/B08R6S1M1K>] (Year: 2020).\*

“Wall Surge Protector Outlet Extender—5 Outlet Splitter (3 Side) and 3 USB Charger(1 USB C), 1800 Joules Multi Plug Outlet Wall USB Outlet Spaced Adapter”, first available Jun. 2, 2021. Amazon.com [ <https://www.amazon.com/dp/B096DR9PJM>] (Year: 2021).\*

“USB Wall Charger Surge Protector 5 Outlet Extender with 4 USB Charging Ports (1 USB C Outlet) 3 Sided 1800J Power Strip Multi Plug Outlets Wall Adapter Spaced for Home Travel Office ETL Listed”, first available Jul. 21, 2020. Amazon.com [ <https://www.amazon.com/dp/B087RKKXM5>] (Year: 2020).\*

\* cited by examiner

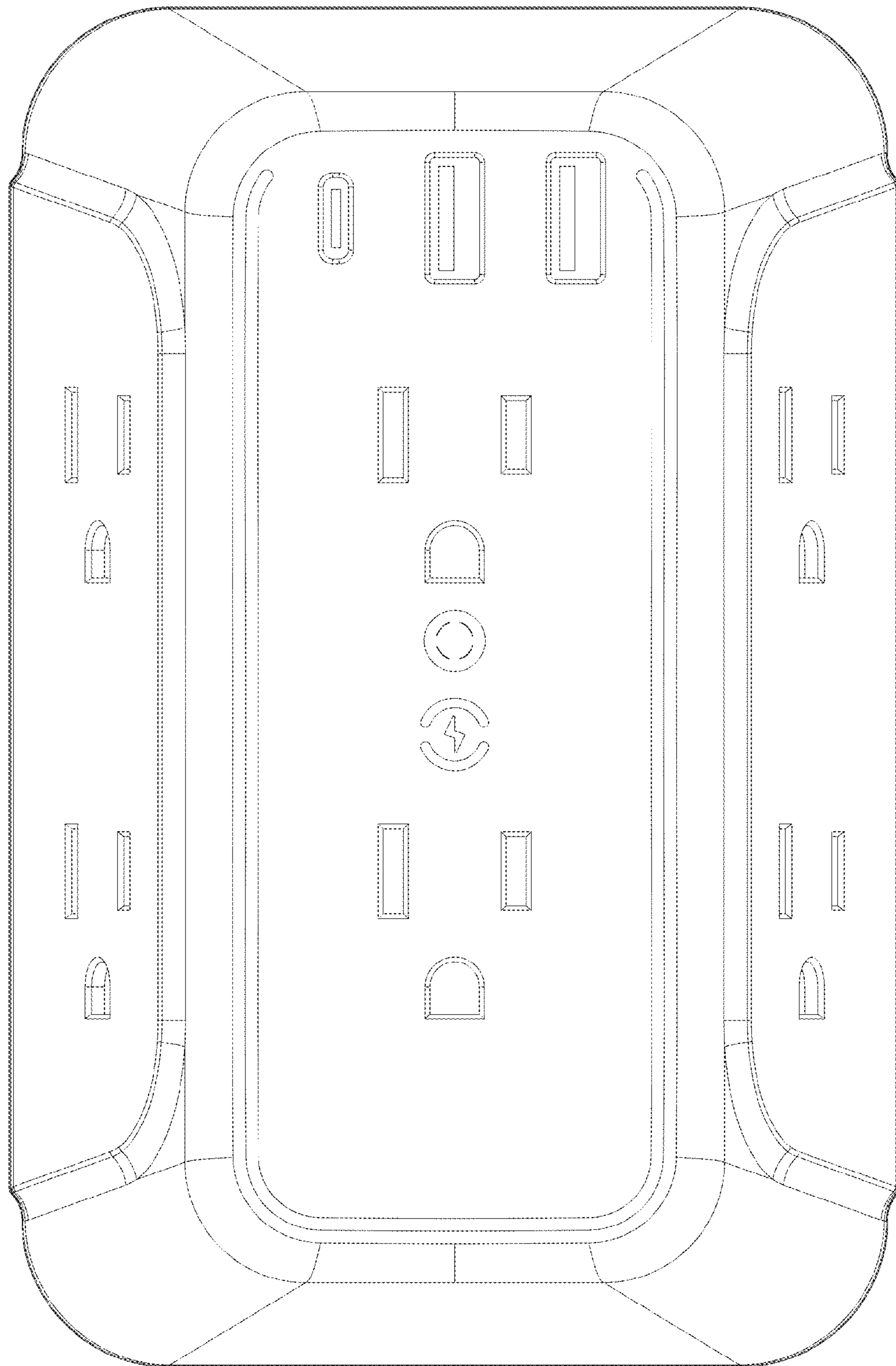


FIG. 1

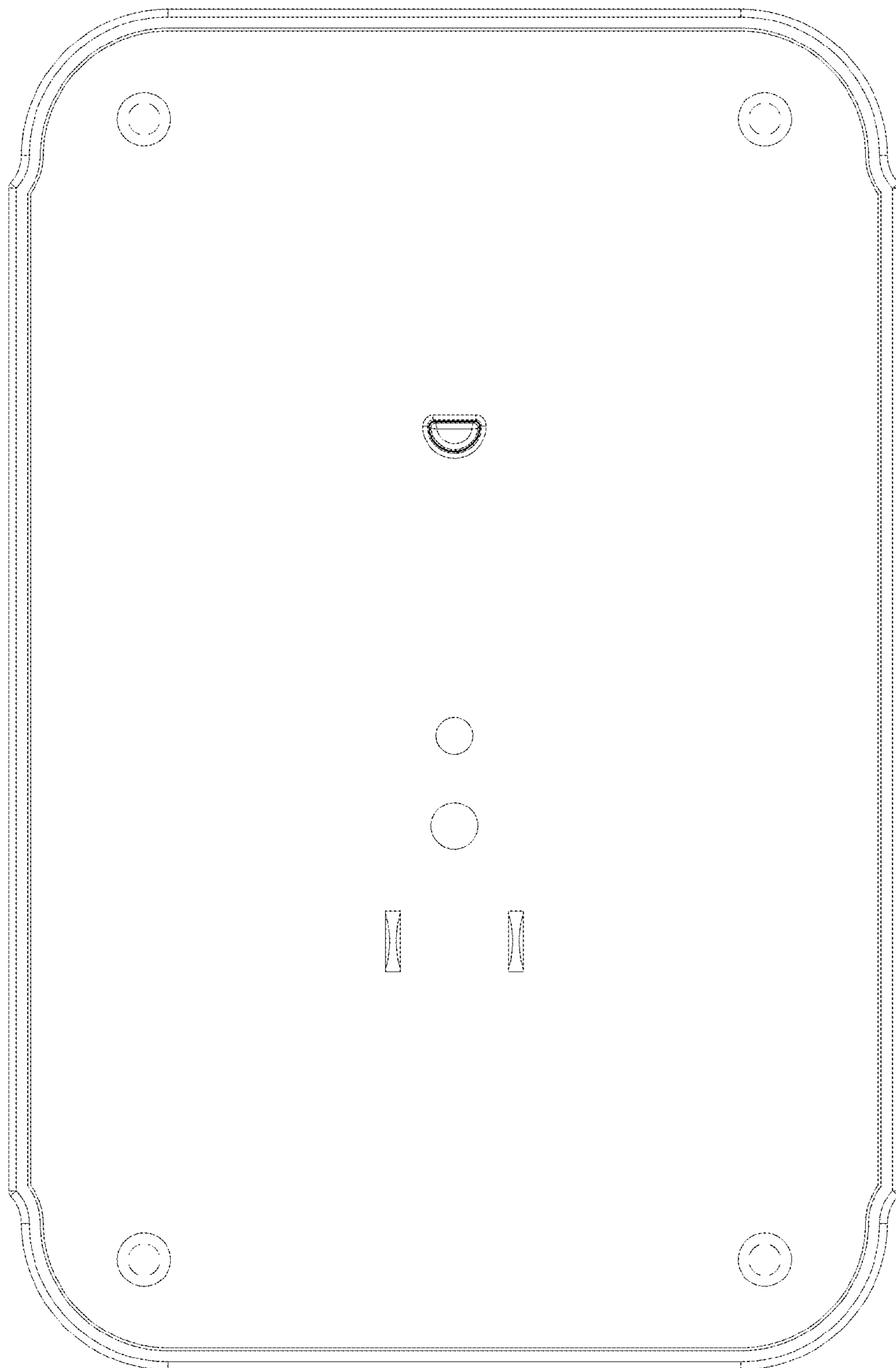


FIG. 2

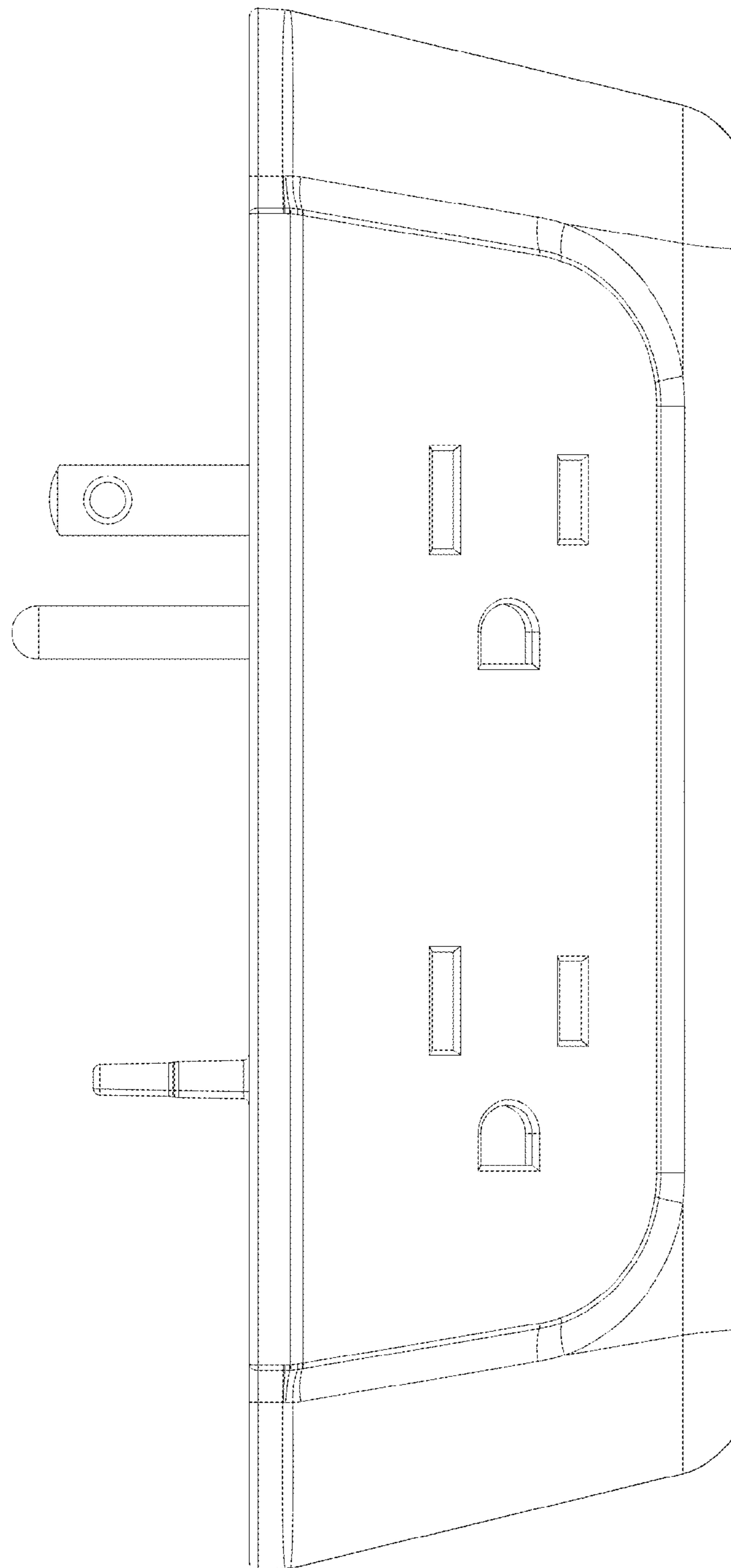


FIG. 3

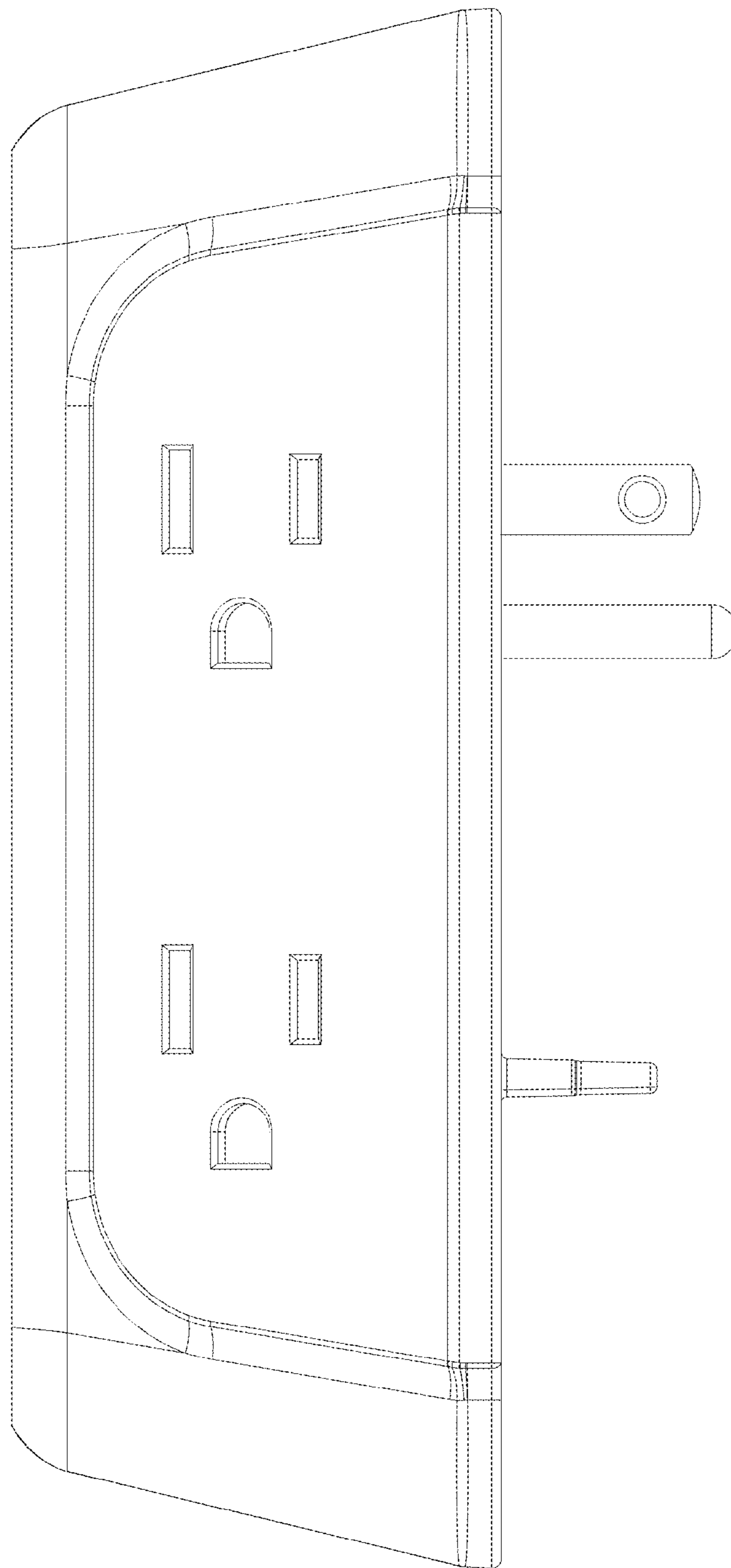


FIG. 4

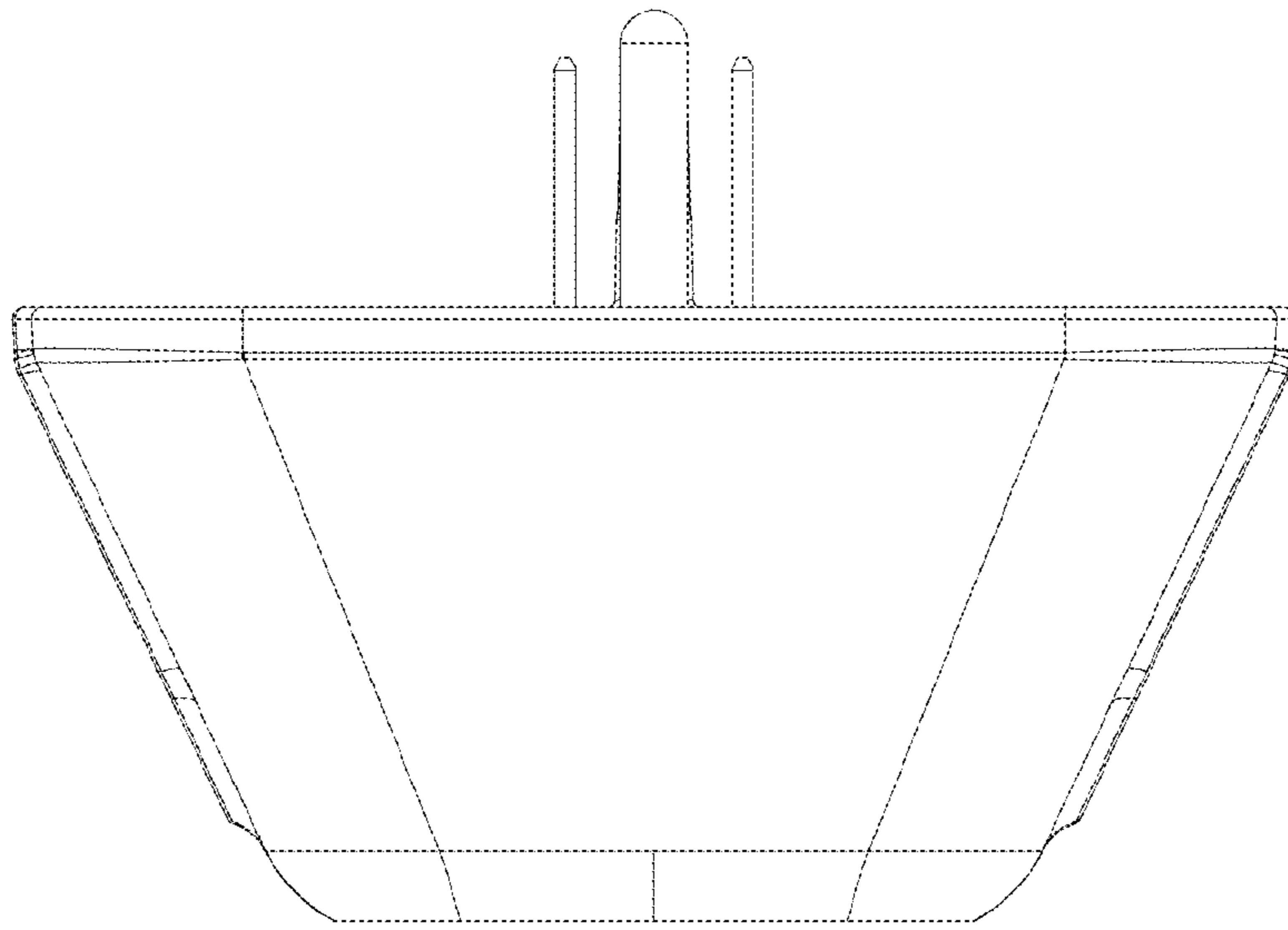


FIG. 5

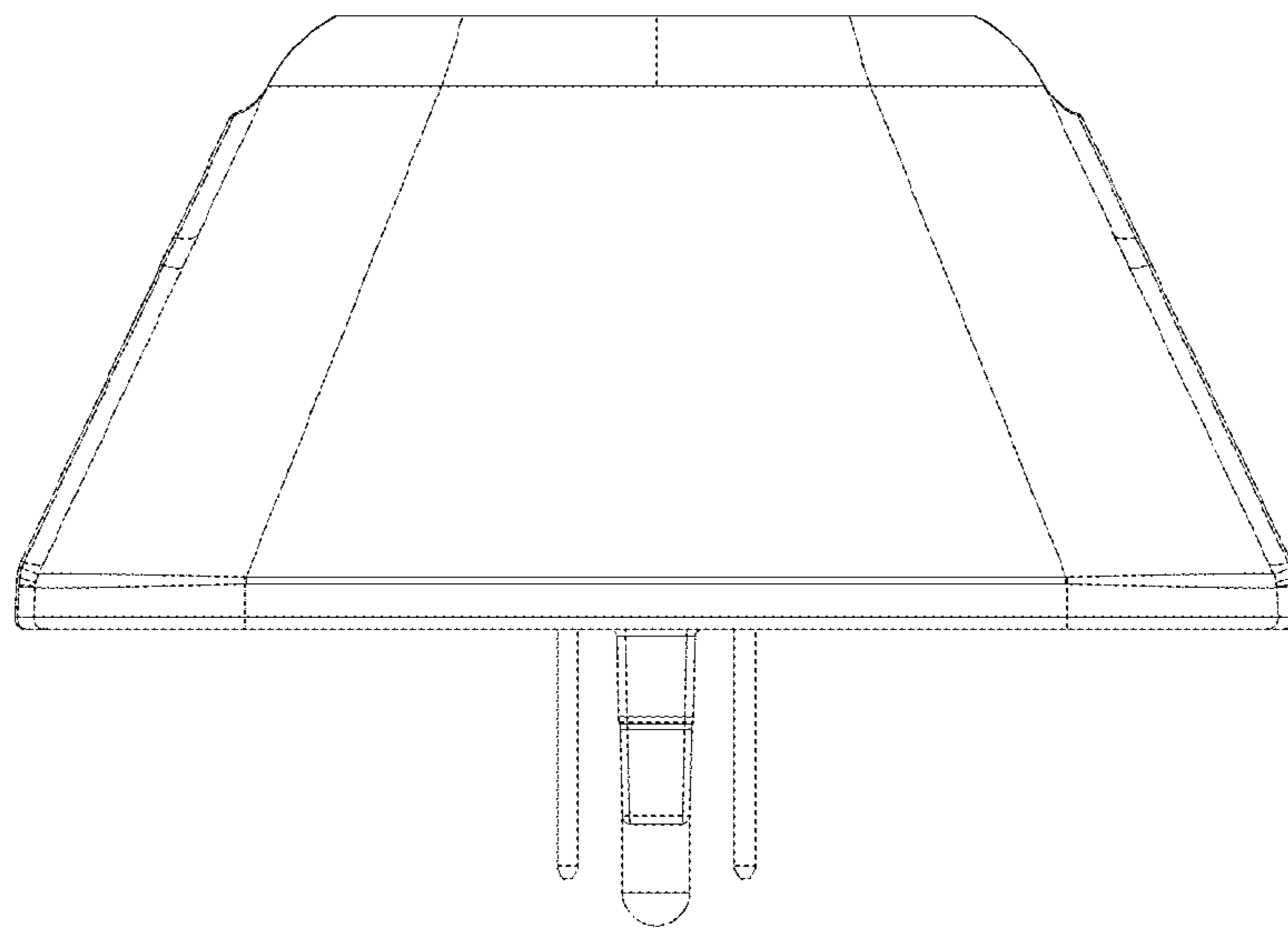


FIG. 6

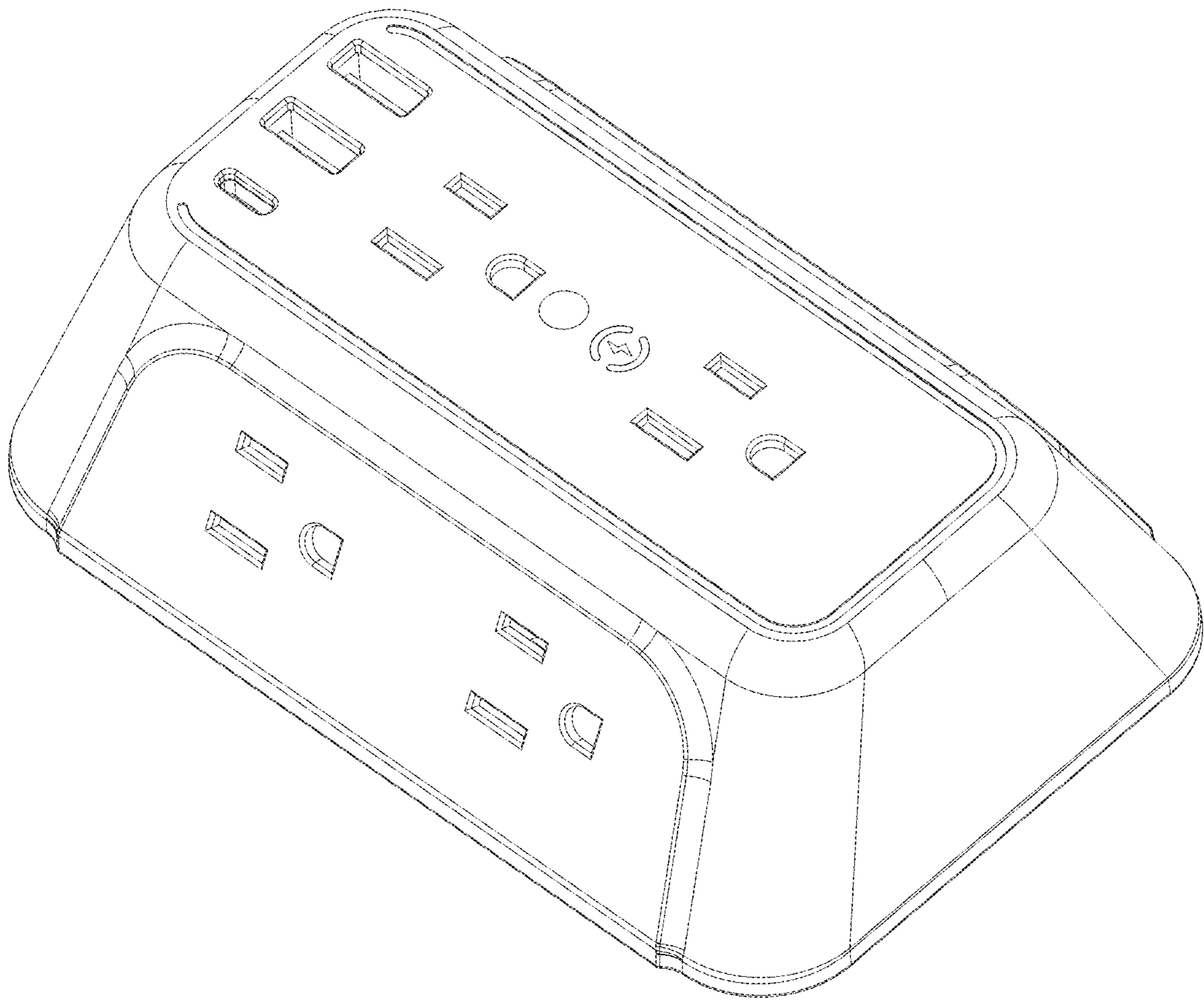


FIG. 7



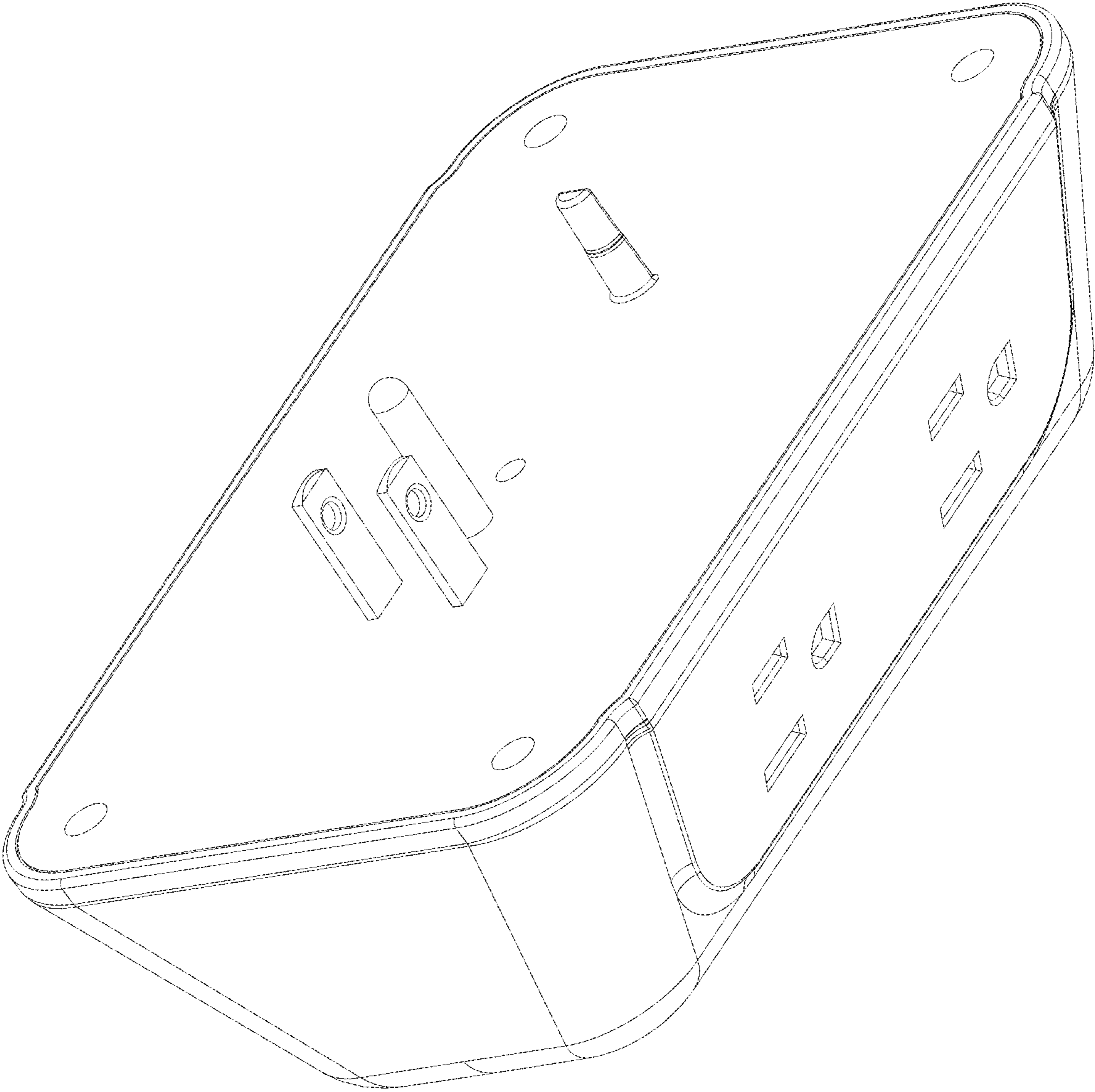


FIG. 8

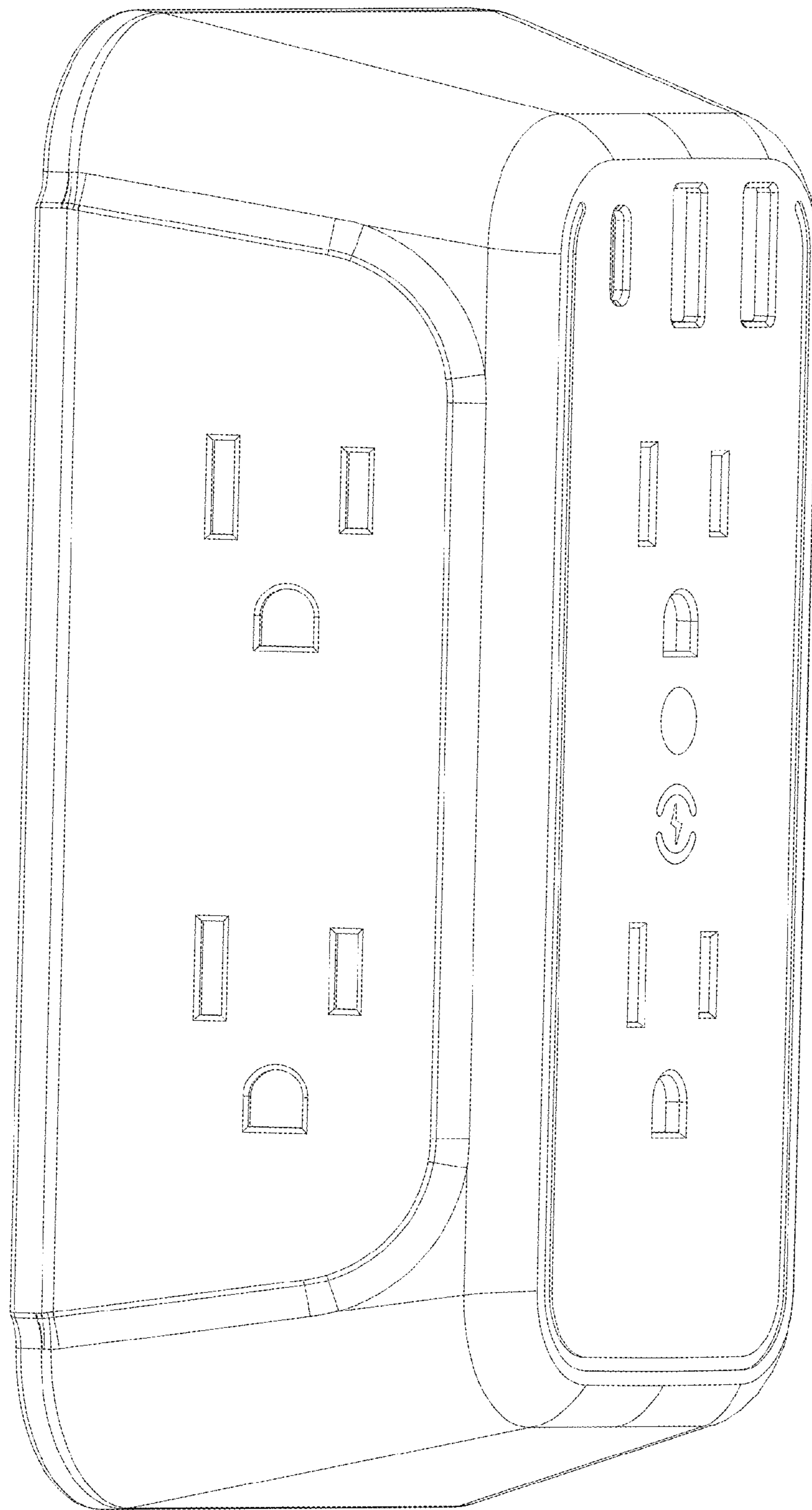


FIG. 9