



US00D960098S

(12) **United States Design Patent**
Chen

(10) **Patent No.:** **US D960,098 S**

(45) **Date of Patent:** **** Aug. 9, 2022**

(54) **GENERATOR COVER**

(71) Applicant: **Xiamen Qiyongrui Import & Export Co., Ltd, Fujian (CN)**

(72) Inventor: **Jian Hua Chen, Fujian (CN)**

(73) Assignee: **XIAMEN QIYONGRUI IMPORT & EXPORT CO., LTD, Fujian (CN)**

(**) Term: **15 Years**

(21) Appl. No.: **29/738,241**

(22) Filed: **Jun. 16, 2020**

(30) **Foreign Application Priority Data**

Jun. 5, 2020 (CN) 202030280983.5

(51) **LOC (13) Cl.** **13-01**

(52) **U.S. Cl.**
USPC **D13/122; D13/184**

(58) **Field of Classification Search**
USPC D13/112, 113, 114, 116, 118, 122, 184,
D13/199; D21/834, 837; D6/610
CPC F16M 3/00; F02B 2063/045; F02B
2063/046; F02B 63/04; F02B 63/042;
F02B 63/048; E04H 15/36; E04H 15/58;
E04H 15/425; H05K 5/02; H05K 5/03;
H05K 5/10; H05K 5/0213; H05K 5/0226;
H02K 3/24; H02K 3/47; F01N 1/083;
F01N 1/084

See application file for complete search history.

(56) **References Cited**

U.S. PATENT DOCUMENTS

7,152,733 B2 *	12/2006	Trickett	A47J 37/0786 206/320
D604,240 S *	11/2009	Imai	D13/122
D662,055 S *	6/2012	Little	D13/122
D785,568 S *	5/2017	Reif	D13/122
D851,614 S *	6/2019	Ji	D13/184
2013/0074421 A1 *	3/2013	Wood	B62J 7/08 52/3

* cited by examiner

Primary Examiner — Derrick E Holland

(74) *Attorney, Agent, or Firm* — Muncy, Geissler, Olds & Lowe, PC

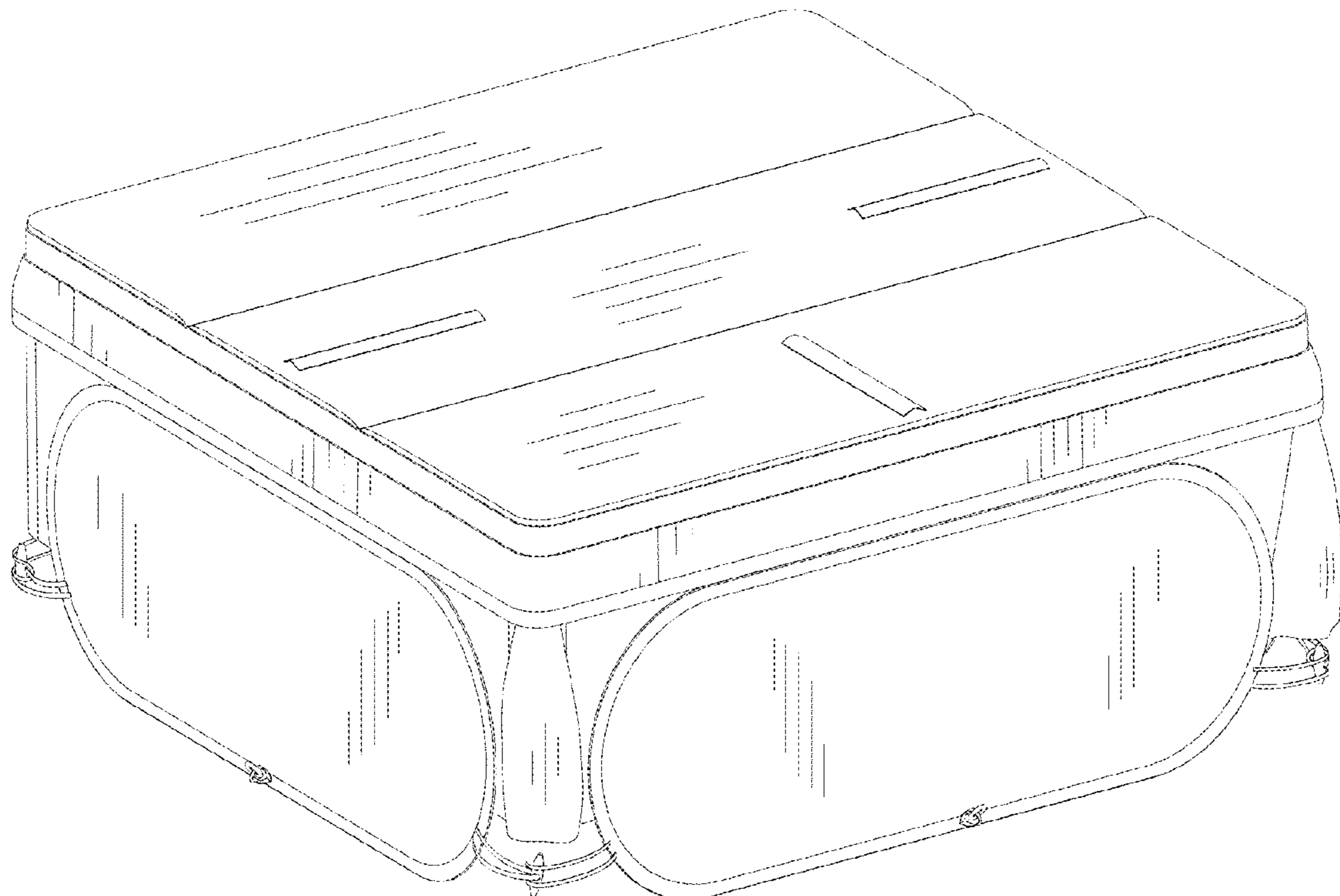
(57) **CLAIM**

The ornamental design for a generator cover, as shown and described.

DESCRIPTION

FIG. 1 is a front elevational view of a generator cover showing the new design;
FIG. 2 is a rear elevational view thereof;
FIG. 3 is a left-side elevational view thereof;
FIG. 4 is a right-side elevational view thereof
FIG. 5 is a top plan view thereof;
FIG. 6 is a bottom plan view thereof;
FIG. 7 is a perspective view thereof; and,
FIG. 8 is a perspective view of the generator cover showing my new design in a use status thereof.

1 Claim, 8 Drawing Sheets



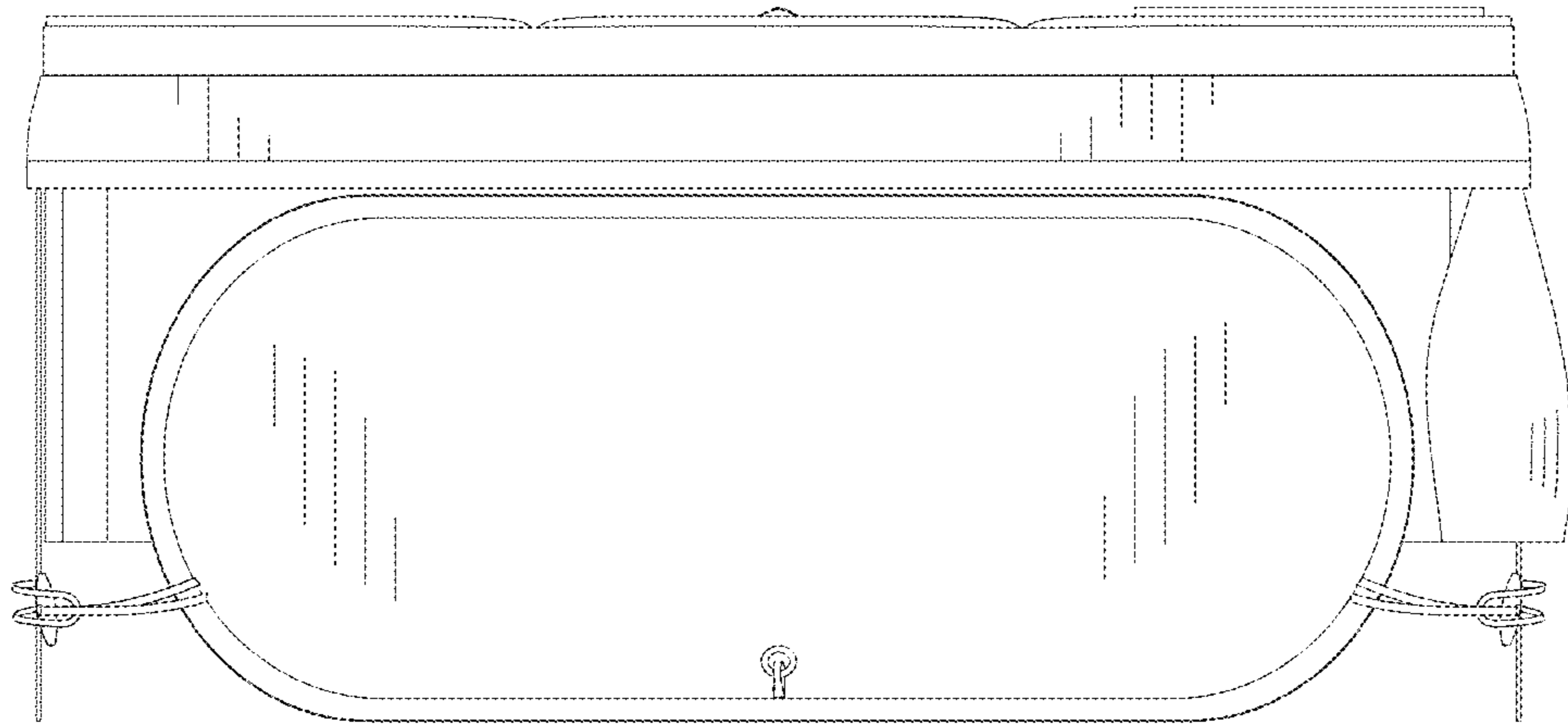


FIG. 1

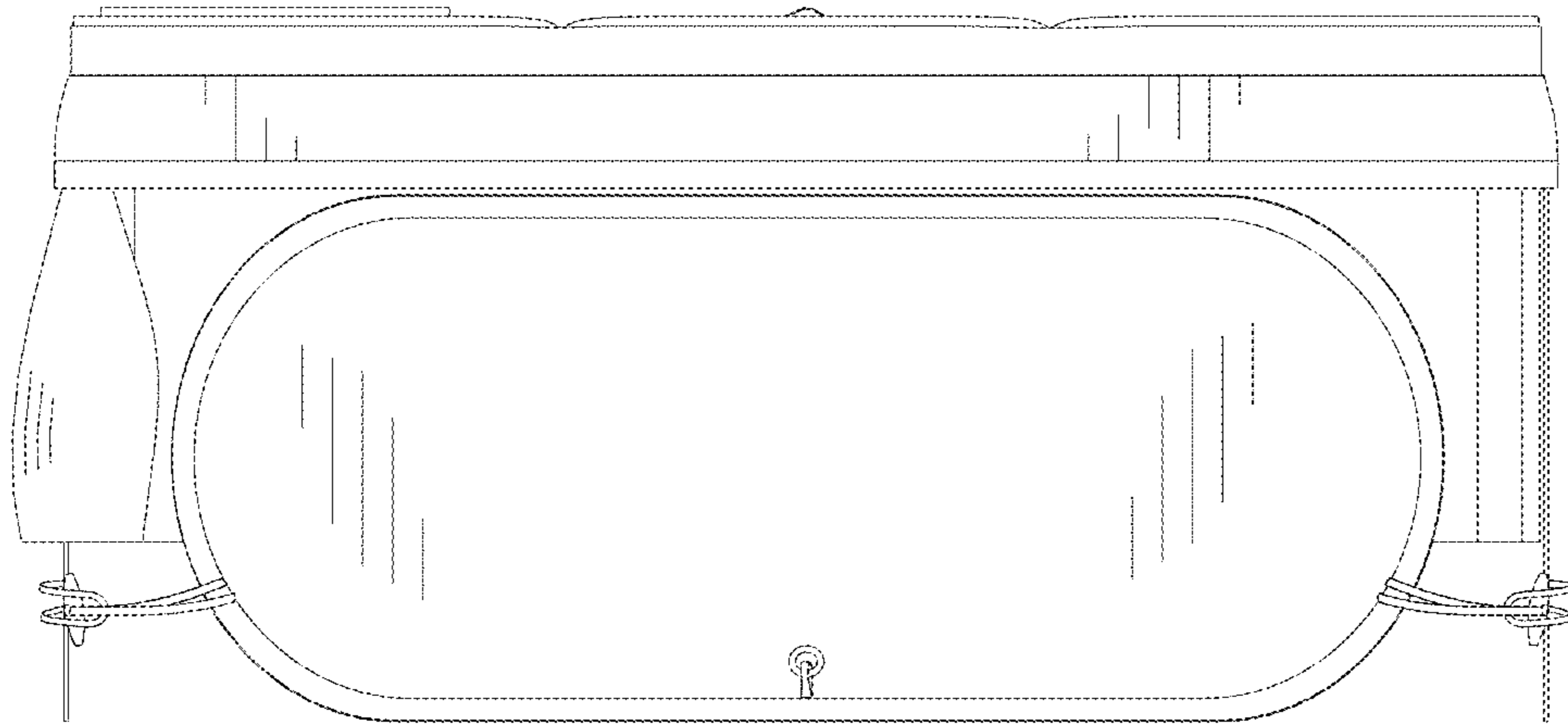


FIG. 2

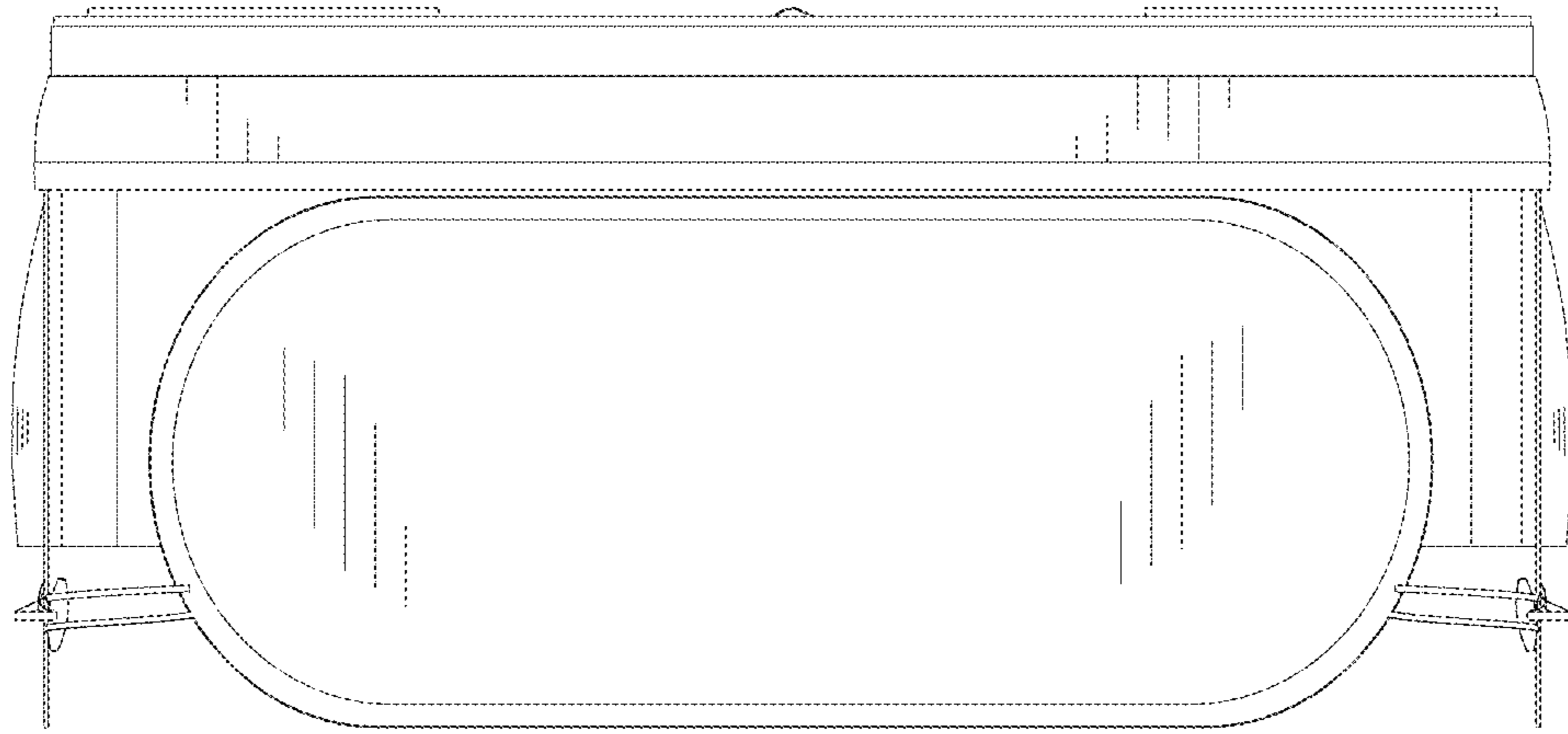


FIG. 3

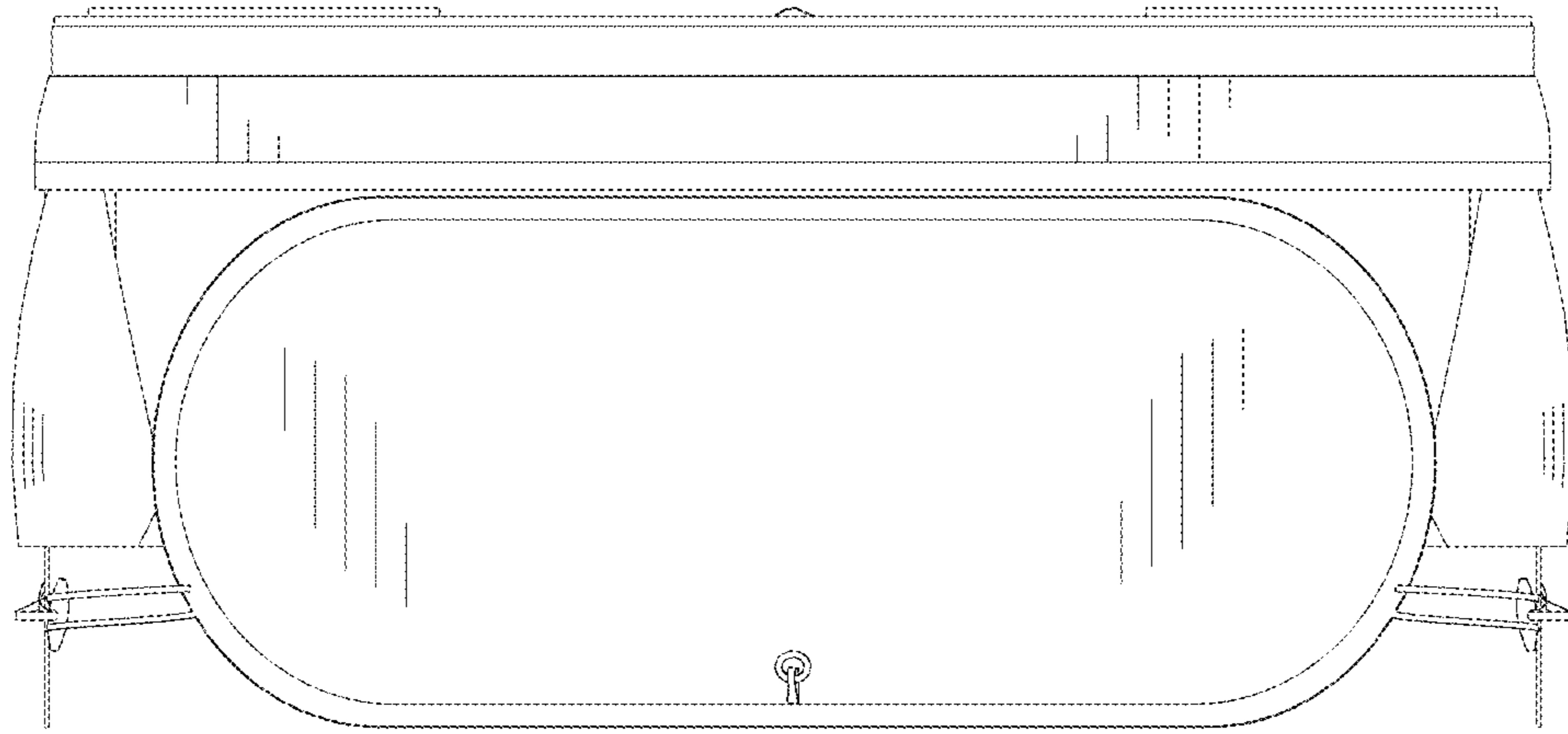


FIG. 4

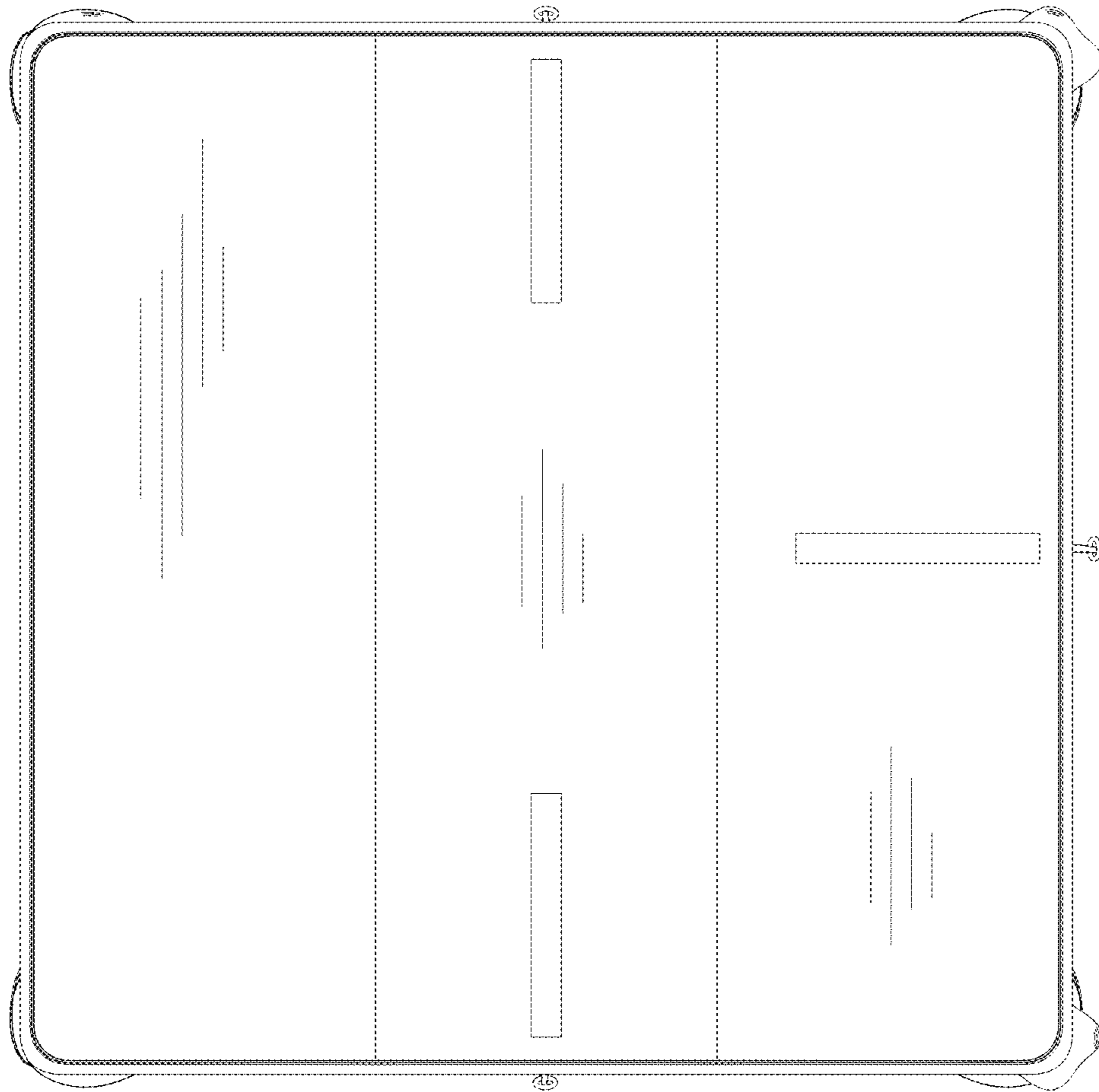


FIG. 5

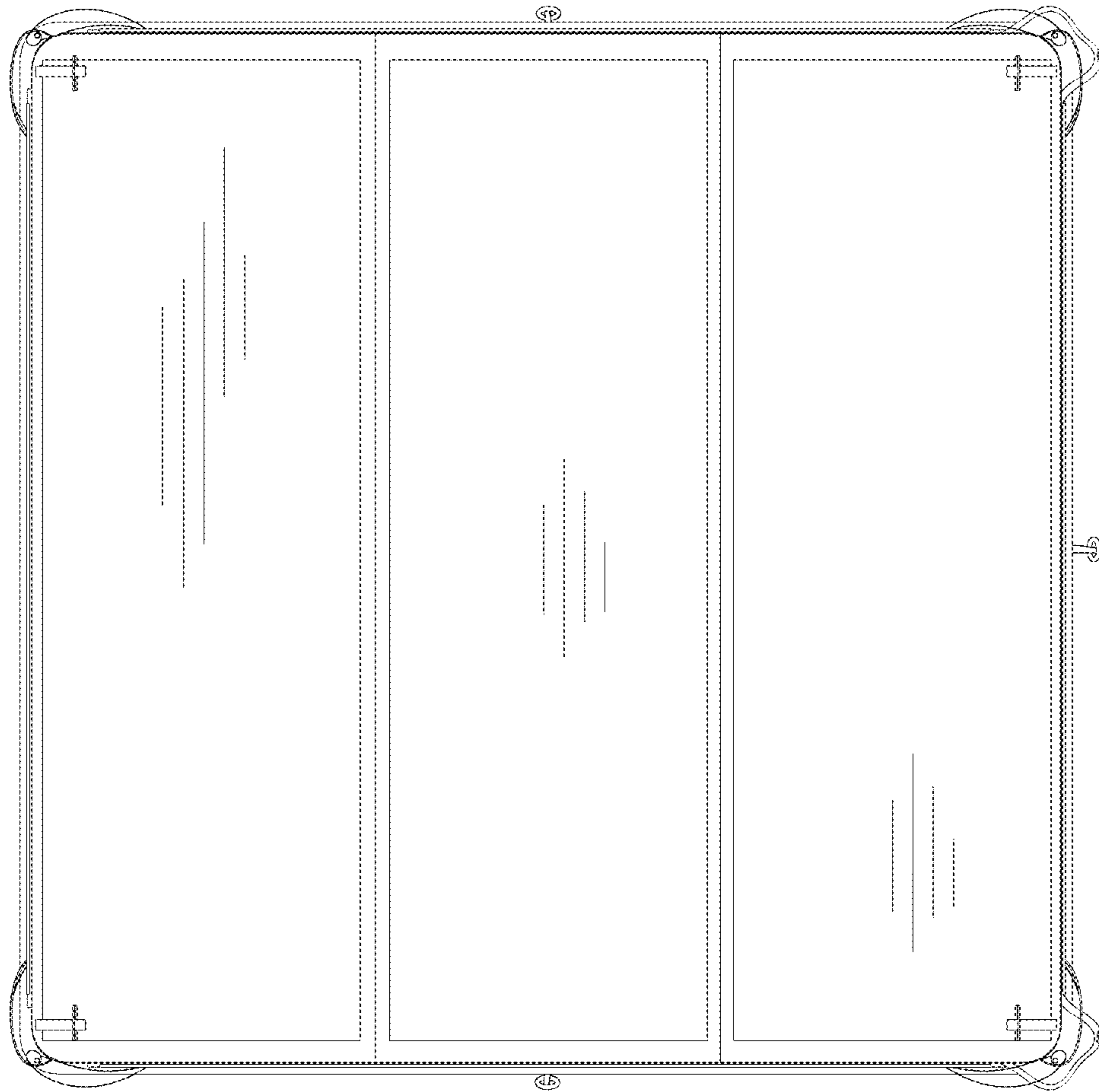


FIG. 6

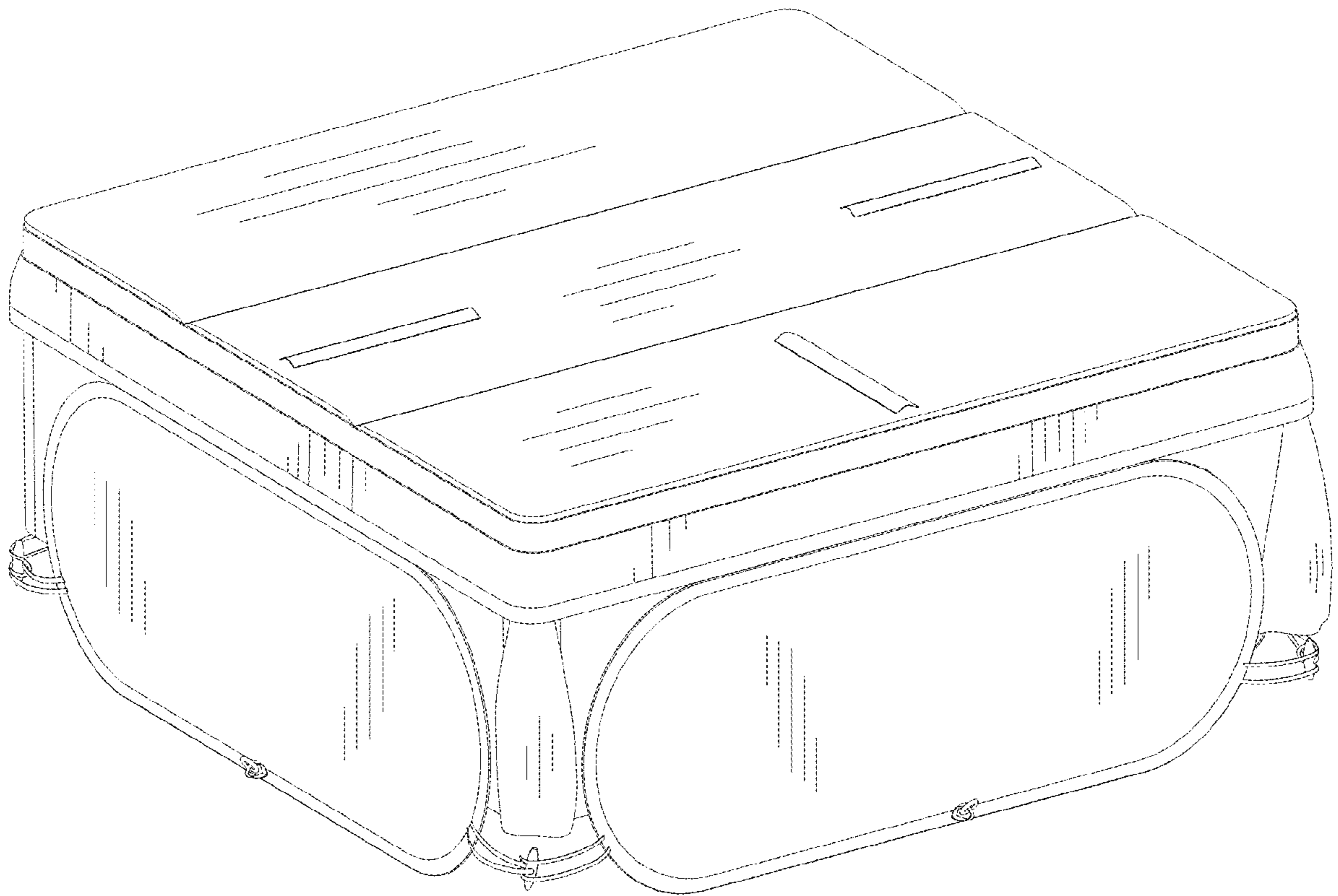


FIG. 7

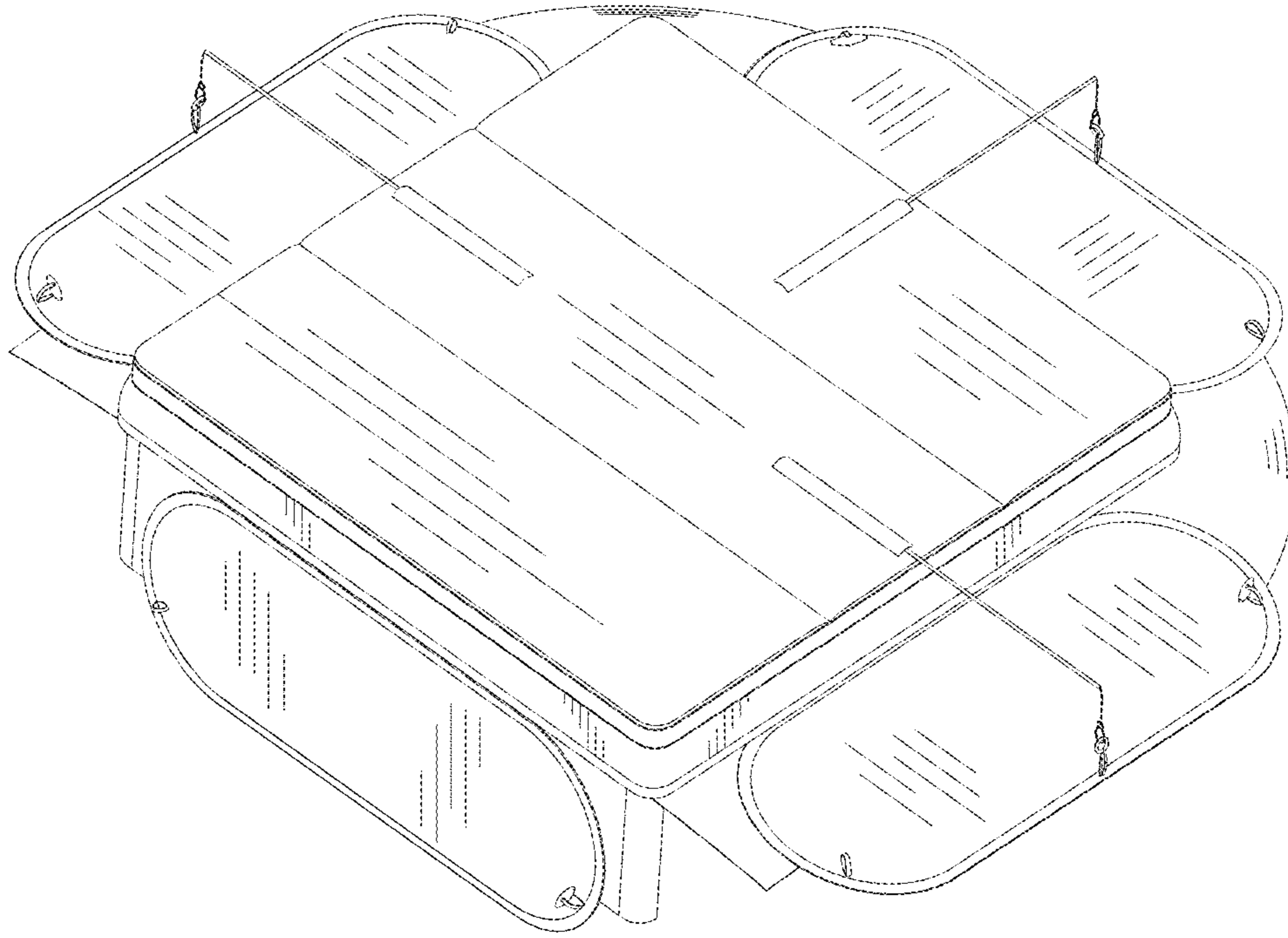


FIG. 8