

US00D960097S

(12) **United States Design Patent**
Chen

(10) **Patent No.:** **US D960,097 S**

(45) **Date of Patent:** **** Aug. 9, 2022**

(54) **POWER SUPPLY FOR TATTOO MACHINE**

(71) Applicant: **Xiangyu Chen**, Shanghai (CN)

(72) Inventor: **Xiangyu Chen**, Shanghai (CN)

(**) Term: **15 Years**

(21) Appl. No.: **29/780,450**

(22) Filed: **Apr. 24, 2021**

(51) **LOC (13) Cl.** **13-02**

(52) **U.S. Cl.**
USPC **D13/110**

(58) **Field of Classification Search**

USPC D13/101, 102, 103, 107, 108, 110, 118,
D13/119, 123, 184, 199; D14/251, 253,
D14/432, 434; D24/108, 133, 146, 232
CPC .. H02J 7/00; H02J 7/027; H02J 7/0042; H02J
7/0045; H02J 7/0047; H02J 7/0048; H02J
7/0063; H02J 7/32; H02J 7/1423; H02M
7/00; H02M 7/003; H01M 2/202; H01M
2/204; H01M 2/1022; H01M 2/342;
H05K 5/0247; H05K 5/003; H05K 5/023;
Y02T 10/7005; Y02T 10/705; Y02T
10/7088; Y02E 60/50; Y02E 60/124
See application file for complete search history.

(56) **References Cited**

U.S. PATENT DOCUMENTS

D463,363 S * 9/2002 Veino D13/110
D544,834 S * 6/2007 Weinstein D13/110

D568,814 S * 5/2008 Hung D13/123
D575,730 S * 8/2008 Hung D13/110
D631,960 S * 2/2011 Myers A61M 37/0076
D24/146
D637,163 S * 5/2011 Rubino, Jr. D13/164

* cited by examiner

Primary Examiner — Derrick E Holland

(74) *Attorney, Agent, or Firm* — Georgi Korobanov

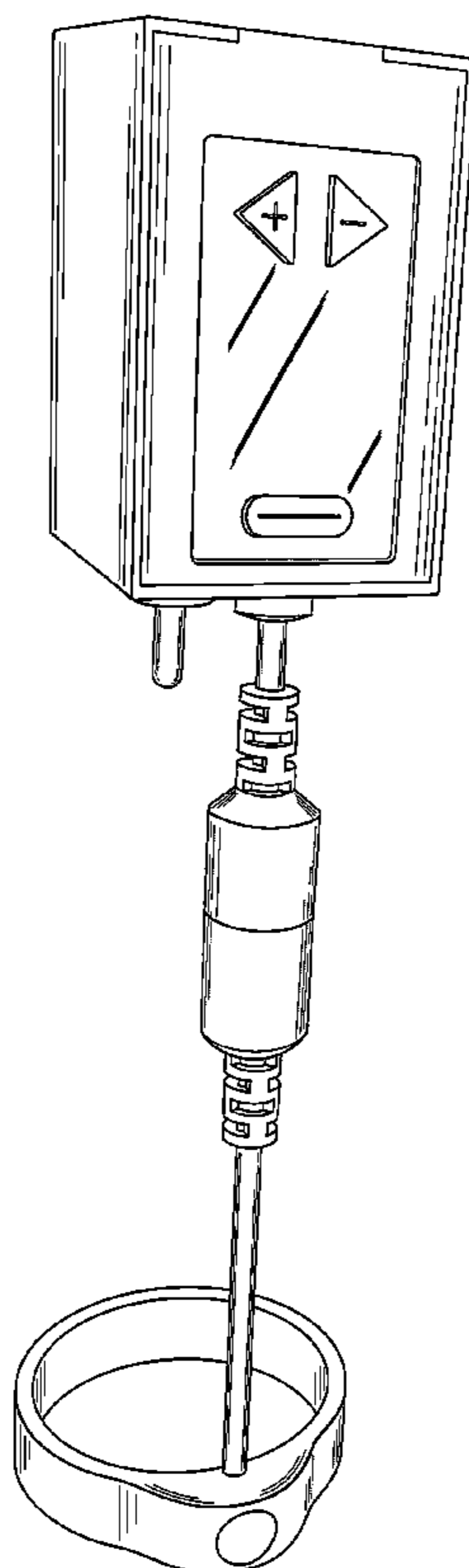
(57) **CLAIM**

The ornamental design for a power supply for tattoo machine, as shown and described.

DESCRIPTION

FIG. 1 is a front view of a power supply for tattoo machine showing my new design;
FIG. 2 is a back view thereof;
FIG. 3 is a left side view thereof;
FIG. 4 is a right side view thereof;
FIG. 5 is a top plan view thereof; and
FIG. 6 is a bottom plan view thereof;
FIG. 7 is a perspective view thereof; and,
FIG. 8 is another perspective view thereof.

1 Claim, 8 Drawing Sheets



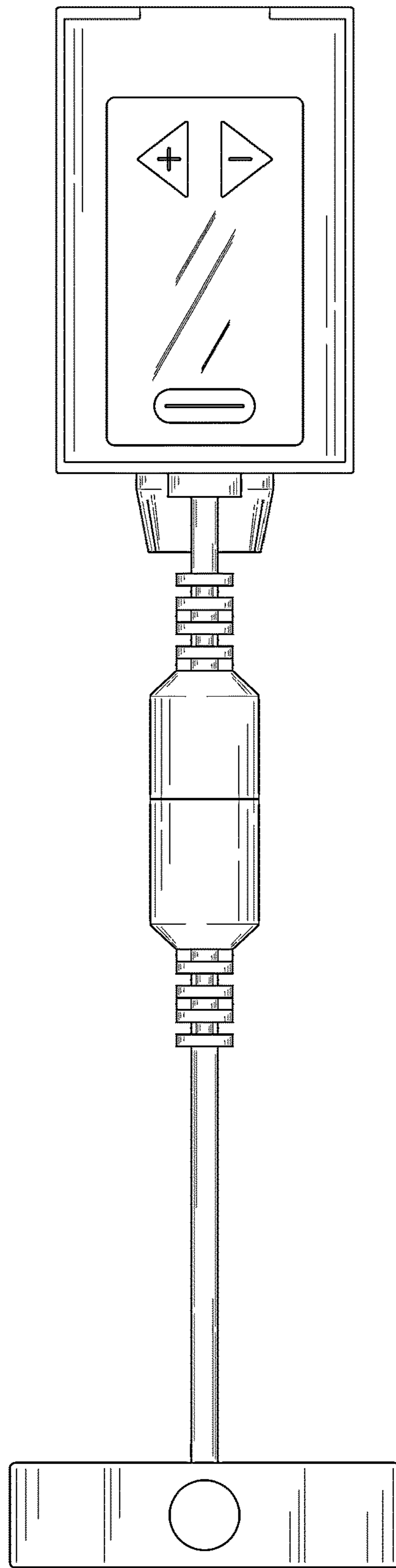


FIG. 1

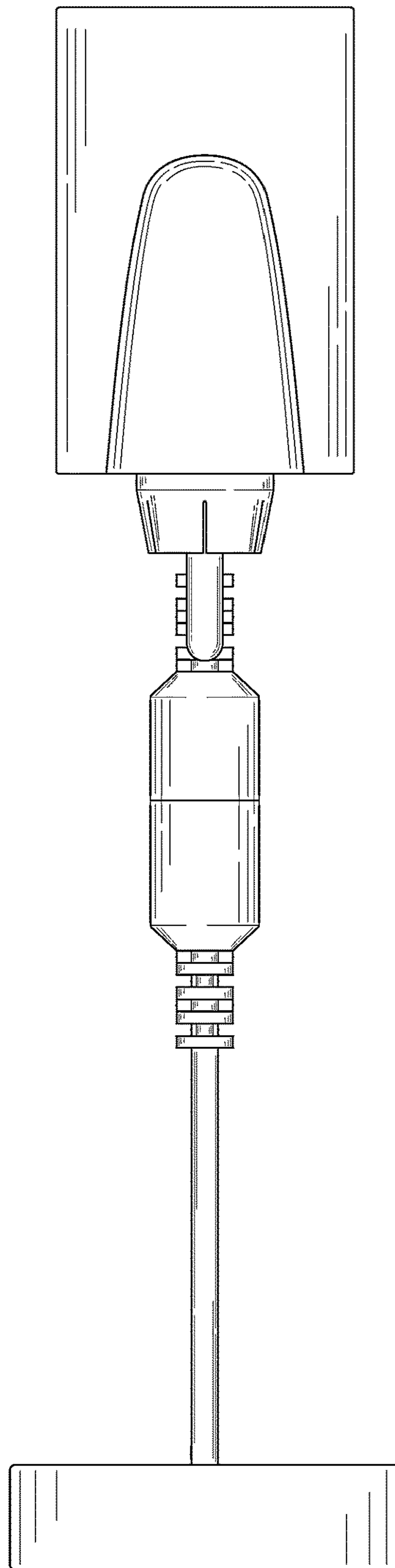


FIG. 2

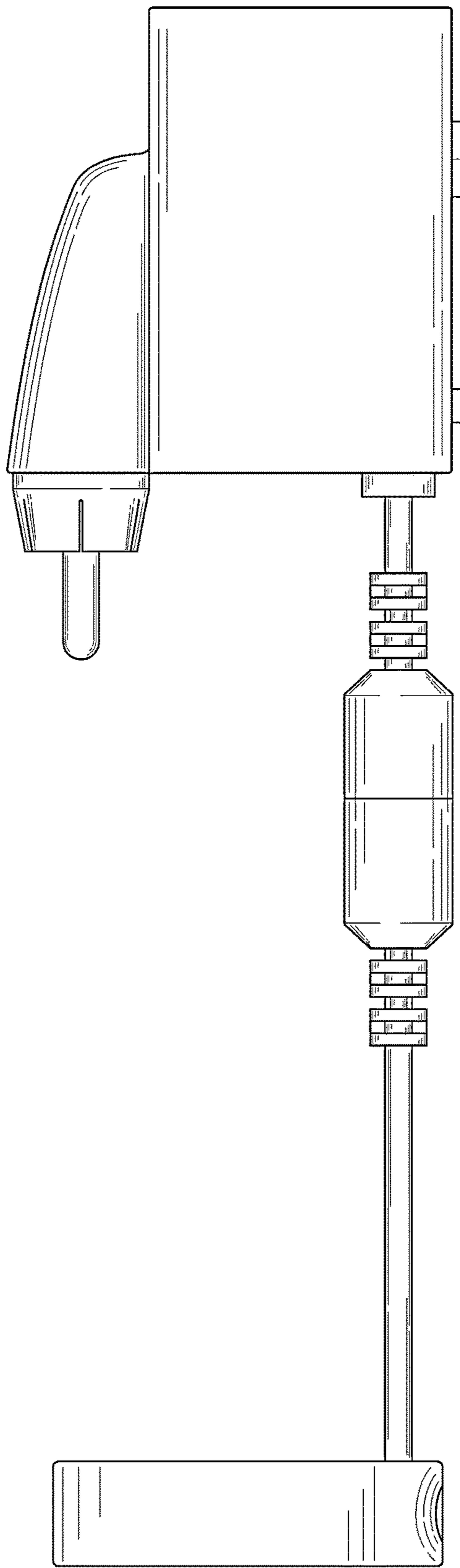


FIG. 3

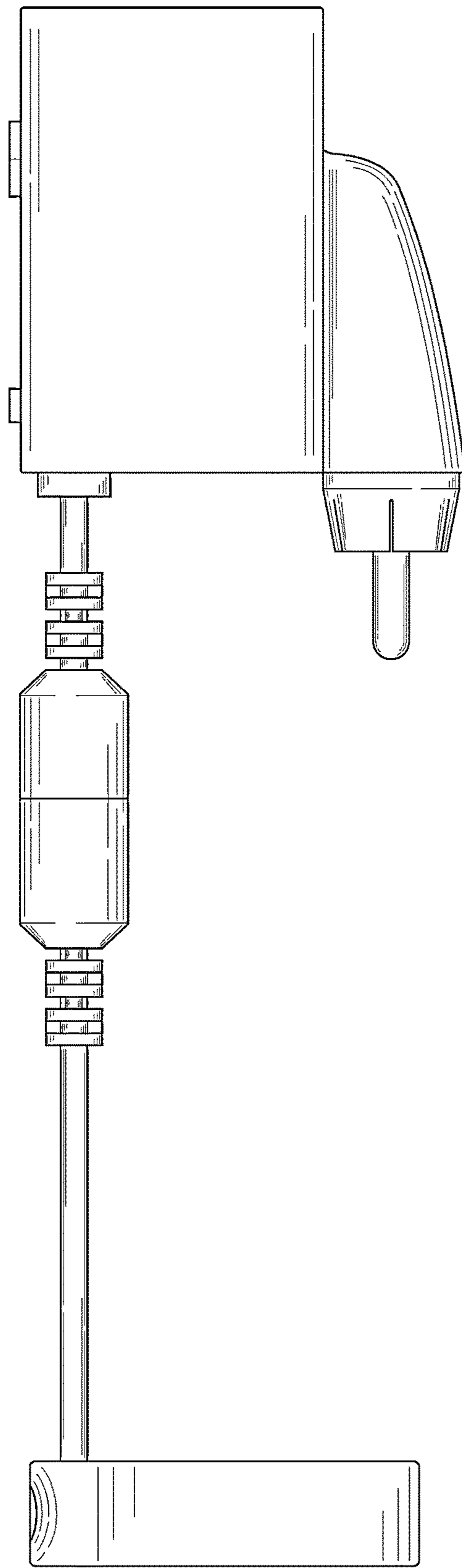


FIG. 4

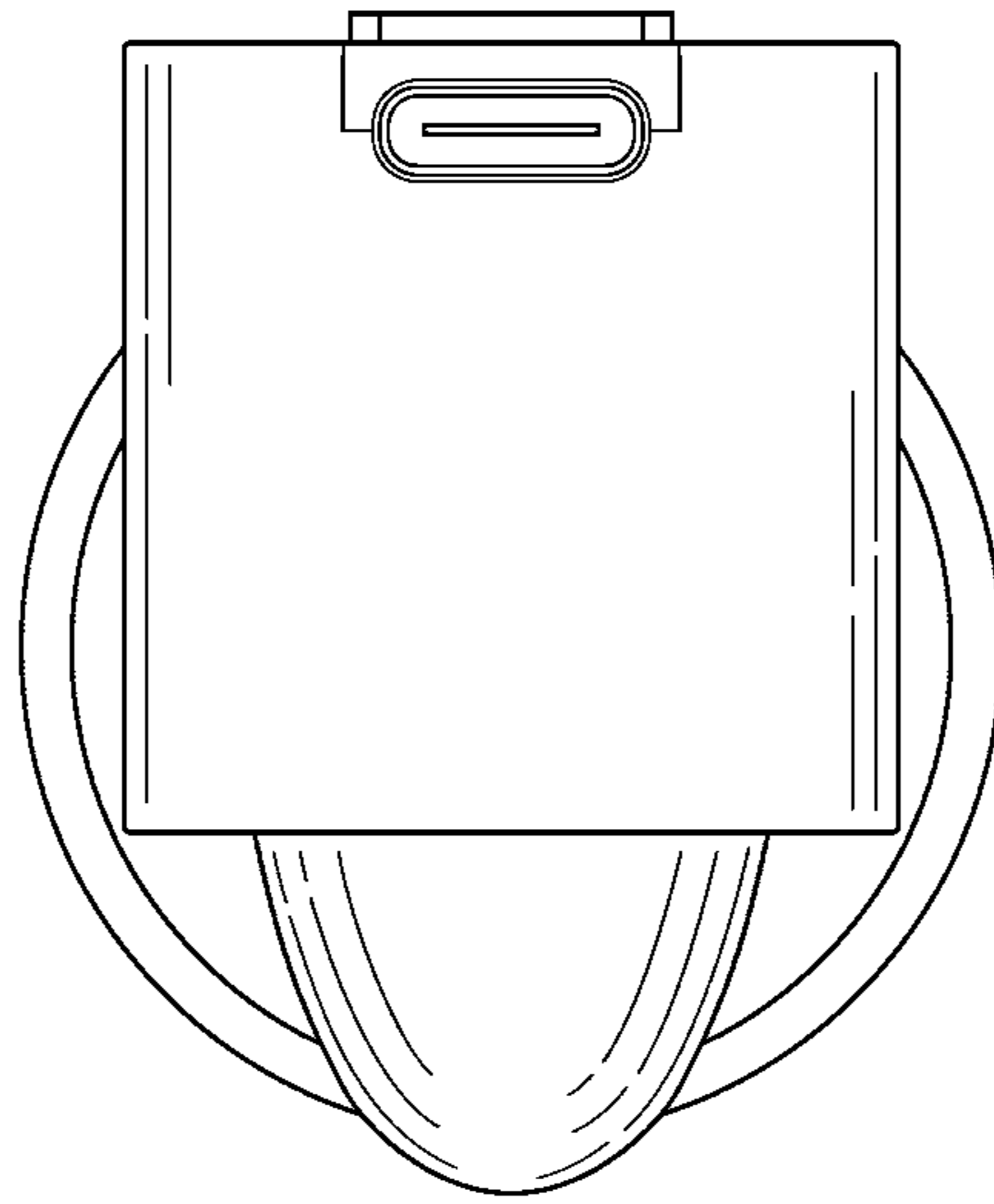


FIG. 5

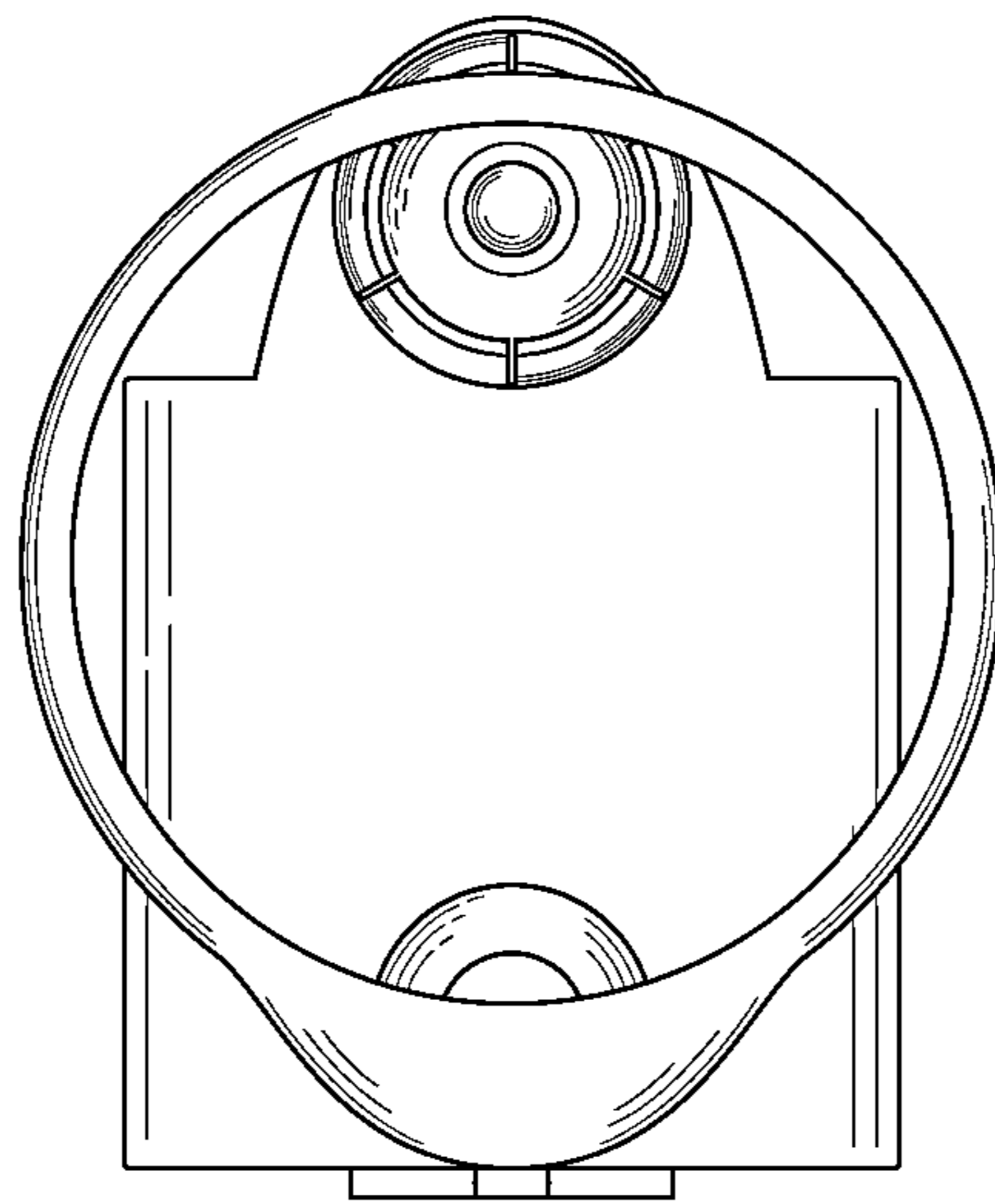


FIG. 6

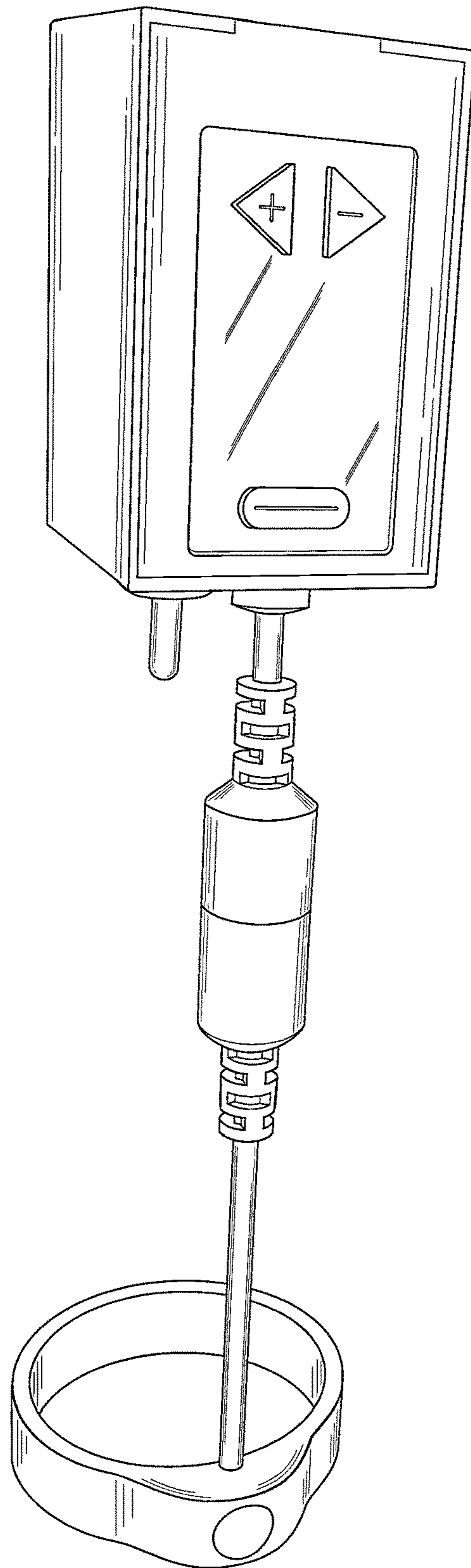


FIG. 7

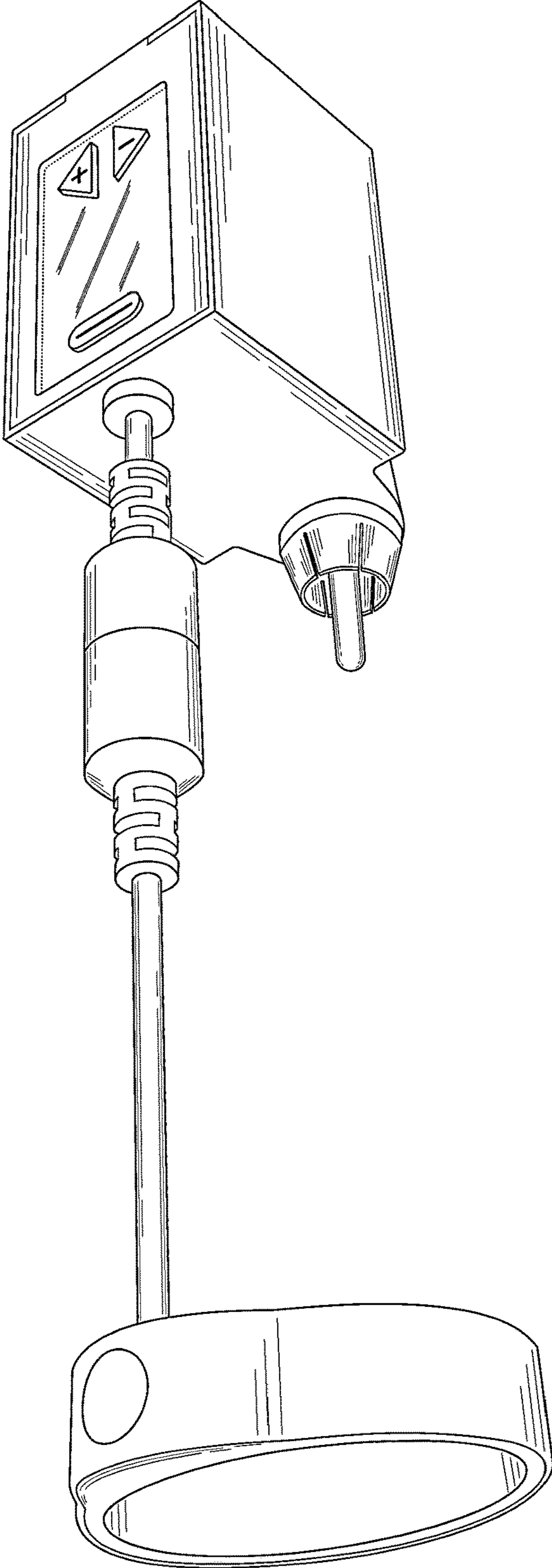


FIG. 8