

US00D960095S

(12) **United States Design Patent**
Chen

(10) **Patent No.:** **US D960,095 S**

(45) **Date of Patent:** **** Aug. 9, 2022**

(54) **WIRELESS CHARGER**

(71) Applicant: **Jia Chen**, Shenzhen (CN)

(72) Inventor: **Jia Chen**, Shenzhen (CN)

(**) Term: **15 Years**

(21) Appl. No.: **29/797,055**

(22) Filed: **Jun. 29, 2021**

(30) **Foreign Application Priority Data**

Feb. 2, 2021 (CN) 202130074936.X

(51) **LOC (13) Cl.** **13-02**

(52) **U.S. Cl.**
USPC **D13/108**

(58) **Field of Classification Search**
USPC D13/103, 104, 107, 108, 110, 118, 119,
D13/120, 183; D14/251, 252, 253, 432,
D14/433, 434, 447
CPC H04M 1/026; H02J 15/00; H04B 1/3877
See application file for complete search history.

(56) **References Cited**

U.S. PATENT DOCUMENTS

D486,140	S *	2/2004	Park	D14/216
D638,789	S *	5/2011	Markowitz	D13/108
D857,626	S *	8/2019	Zhang	D13/108
D858,437	S *	9/2019	Lu	D13/108
D873,259	S *	1/2020	Lindof	D14/224
D904,978	S *	12/2020	Liao	D13/108
D905,042	S *	12/2020	Lim	D14/434
D917,386	S	4/2021	Xu	
D920,908	S *	6/2021	Qiu	D13/108
11,117,526	B2 *	9/2021	Iverson	B60R 11/02
D942,389	S *	2/2022	Sun	D14/447
D944,788	S *	3/2022	Huang	D14/253
2011/0234154	A1 *	9/2011	Navid	H02J 7/0045
					320/108
2016/0261139	A1 *	9/2016	Kidakarn	H02J 50/10

OTHER PUBLICATIONS

“Belkin Boost Charge Pro 3-in-1 15W Wireless Charger”. Found online Mar. 8, 2022 at bhphotovideo.com. Reference dated Oct. 22, 2020. Retrieved from https://www.bhphotovideo.com/c/product/1617699-REG/belkin_wiz009ttbk_boost_charge_pro_3_in_1.html/reviews. (Year: 2020).*

“Swift 3 in 1 Wireless Charger”. Found online Mar. 8, 2022 at evolvedchargers.com. Reference dated Apr. 27, 2021. Retrieved from <https://evolvedchargers.com/products/3-in-1-wireless-charger-swift>. (Year: 2021).*

“Logitech Launches New POWERED Dock”. Found online Feb. 10, 2021 at macrumors.com. Reference dated Mar. 11, 2020. Retrieved from <https://www.macrumors.com/2020/03/11/logitech-powered-3-in-1-dock/>. (Year: 2020).*

* cited by examiner

Primary Examiner — Kendra Leslie Hamilton

Assistant Examiner — Amanda Christensen

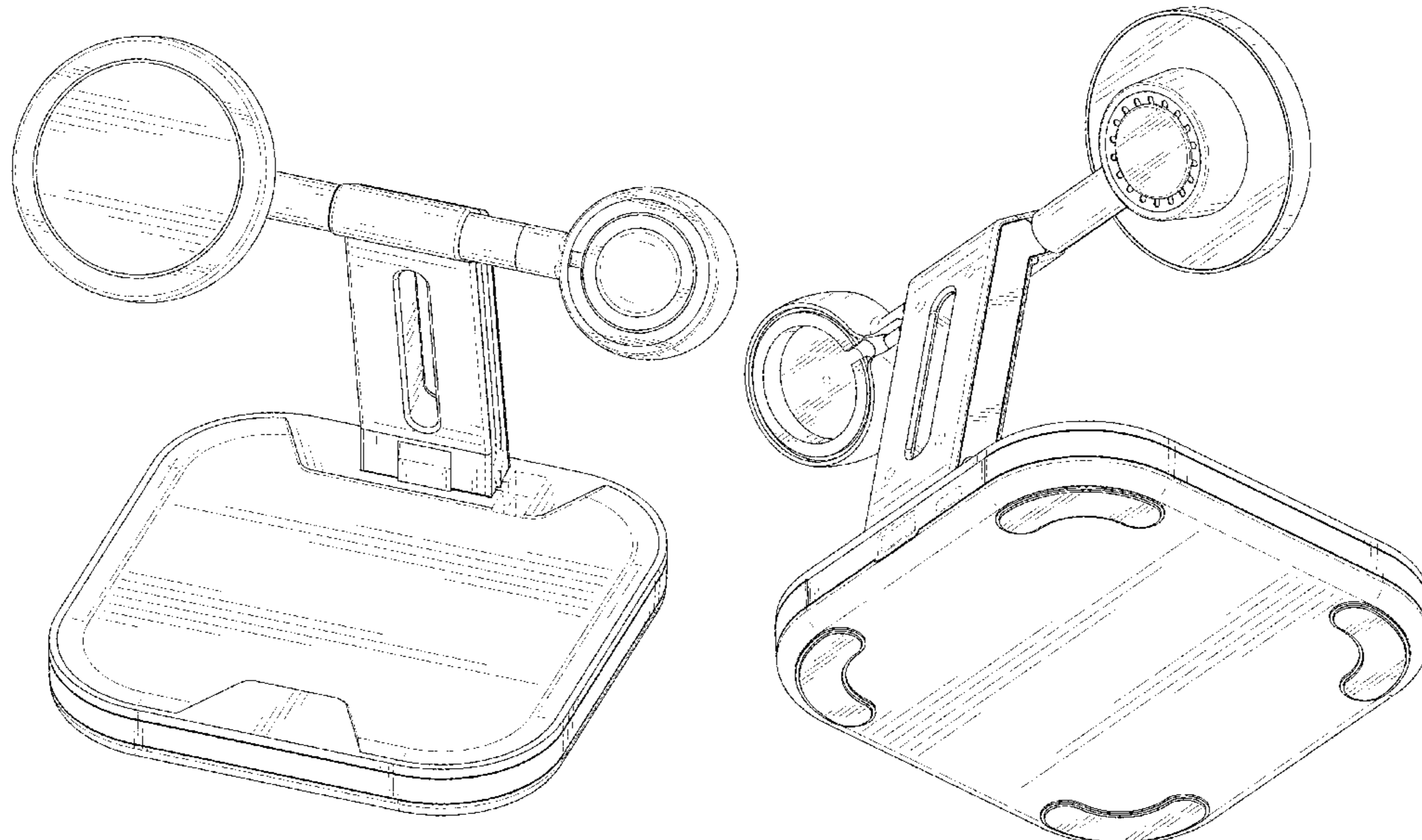
(57) **CLAIM**

The ornamental design for a wireless charger, as shown and described.

DESCRIPTION

FIG. 1 is a front and top perspective view of a wireless charger, showing my new design;
FIG. 2 is a rear and bottom perspective view thereof;
FIG. 3 is a front elevation view thereof;
FIG. 4 is a rear elevation view thereof;
FIG. 5 is a left side elevation view thereof;
FIG. 6 is a right side elevation view thereof;
FIG. 7 is a top plan view thereof; and,
FIG. 8 is a bottom plan view thereof.
The broken lines in the figures illustrate portions of the wireless charger that form no part of the claimed design.

1 Claim, 8 Drawing Sheets



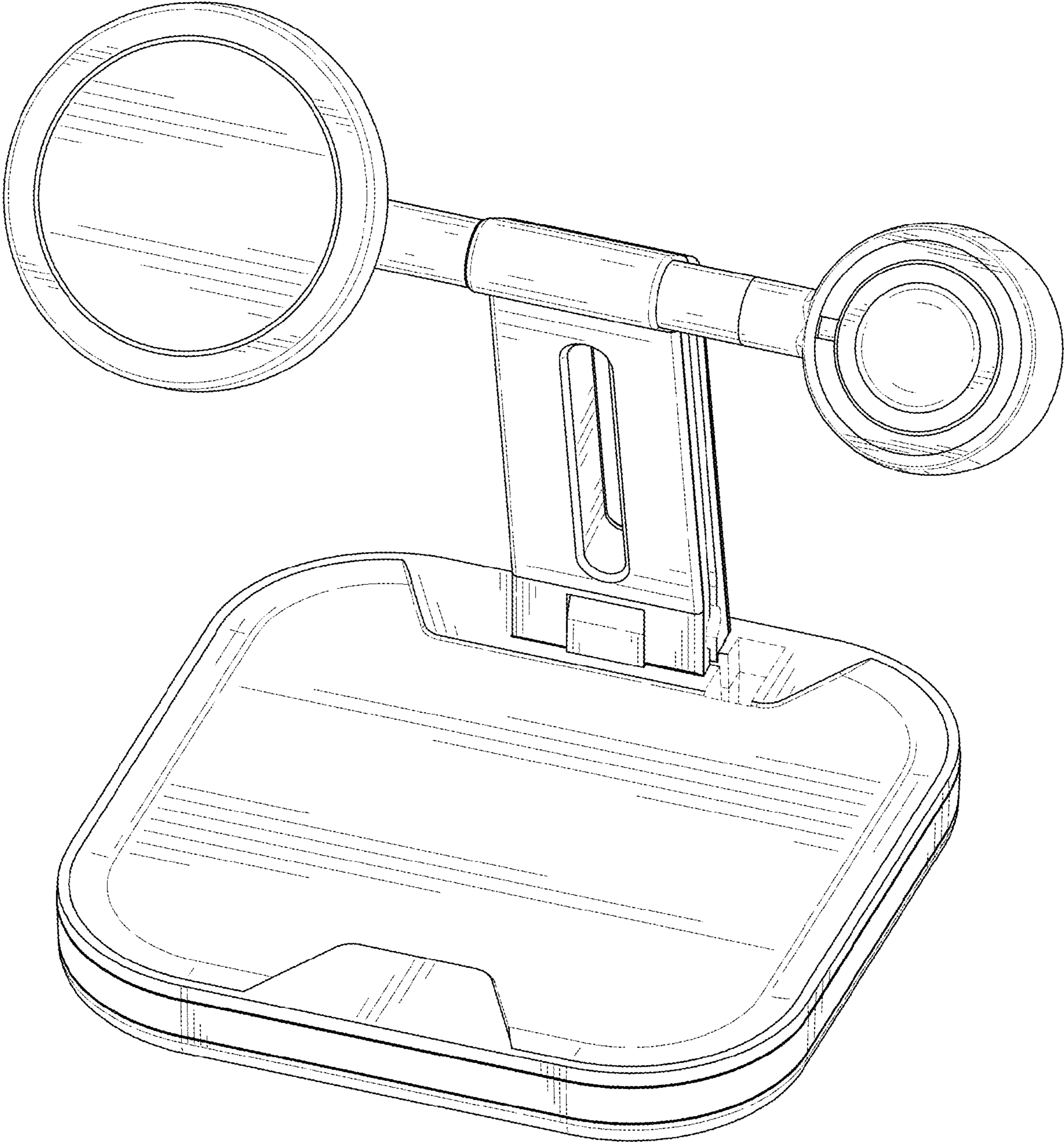


FIG. 1

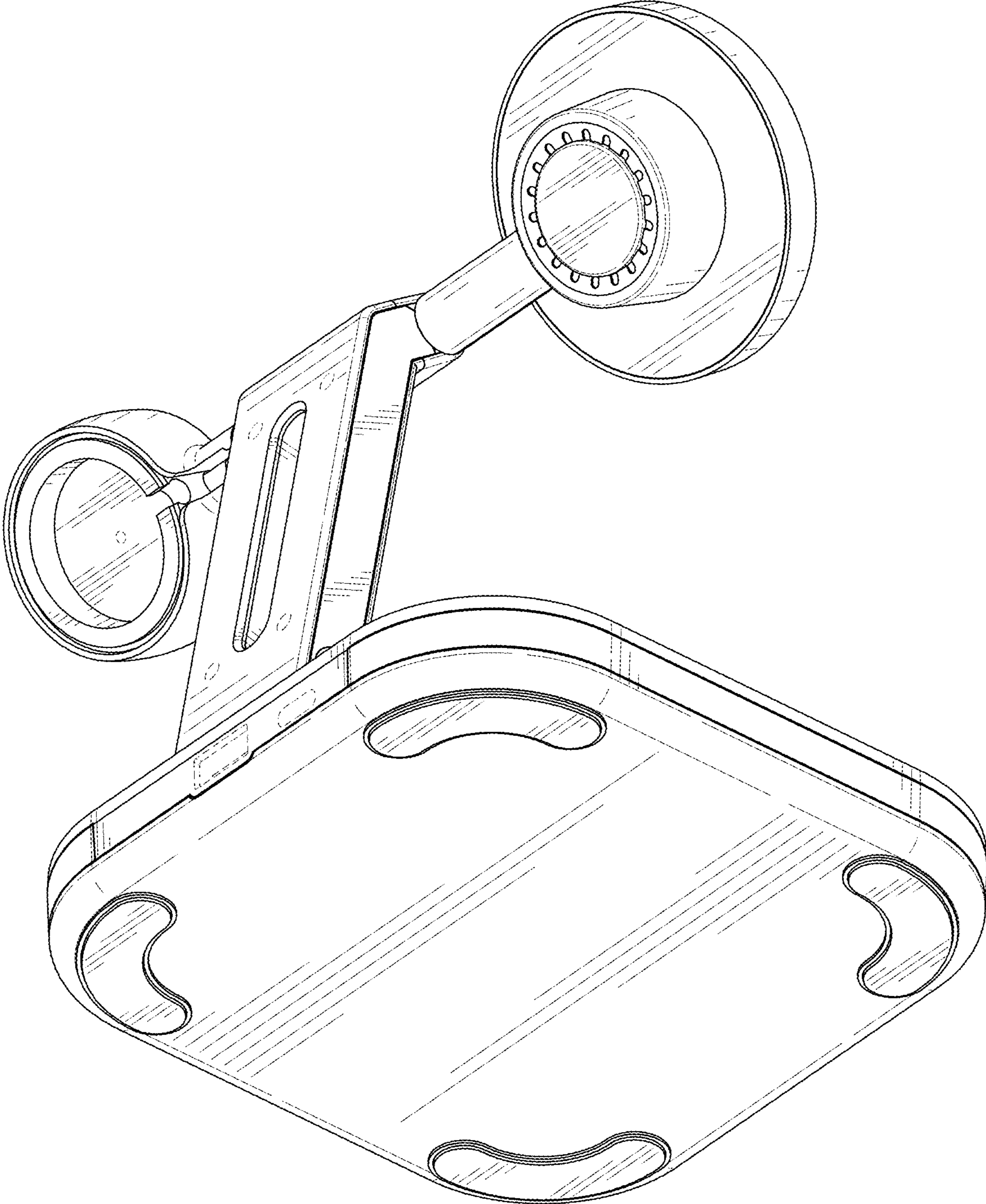


FIG. 2

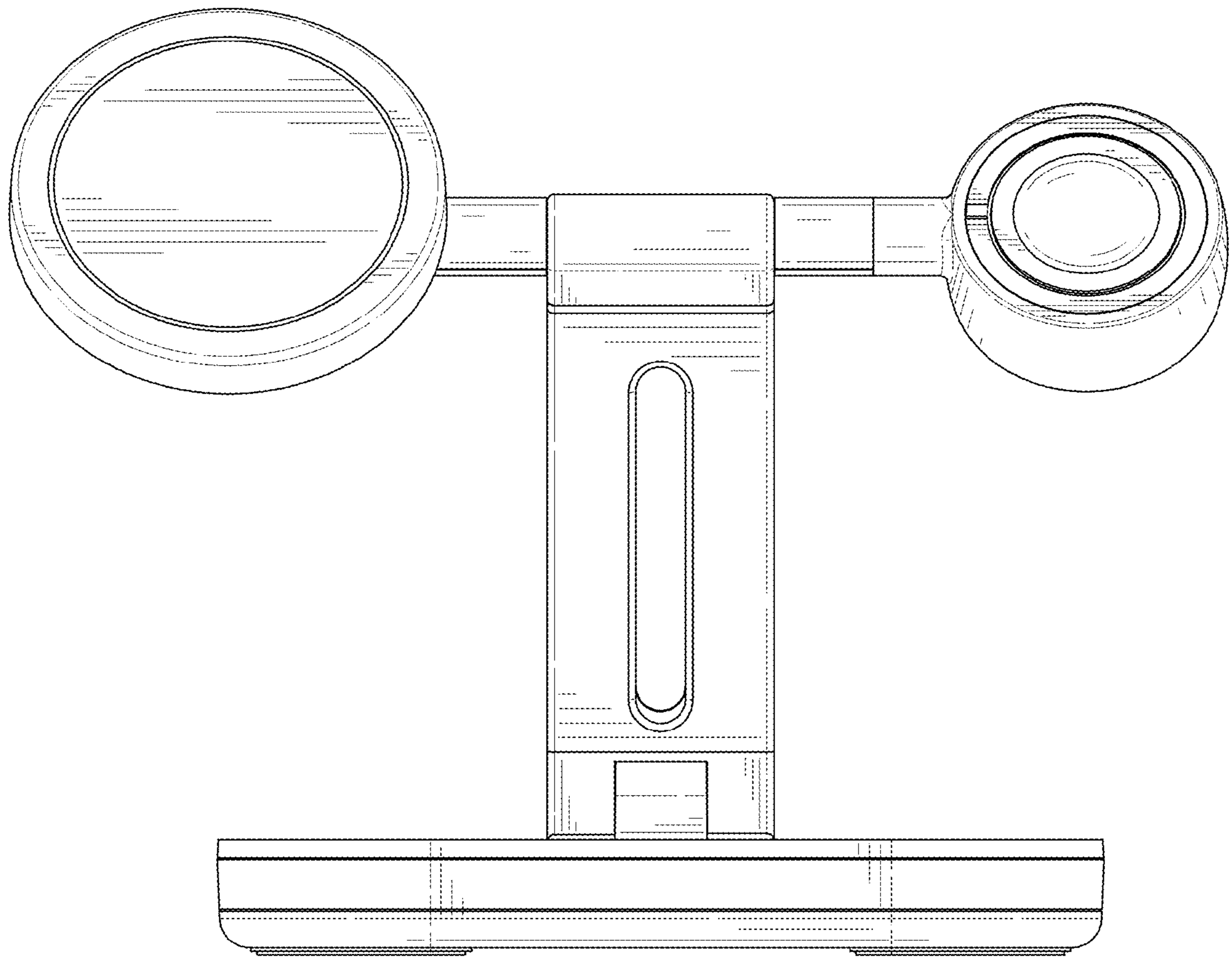


FIG. 3

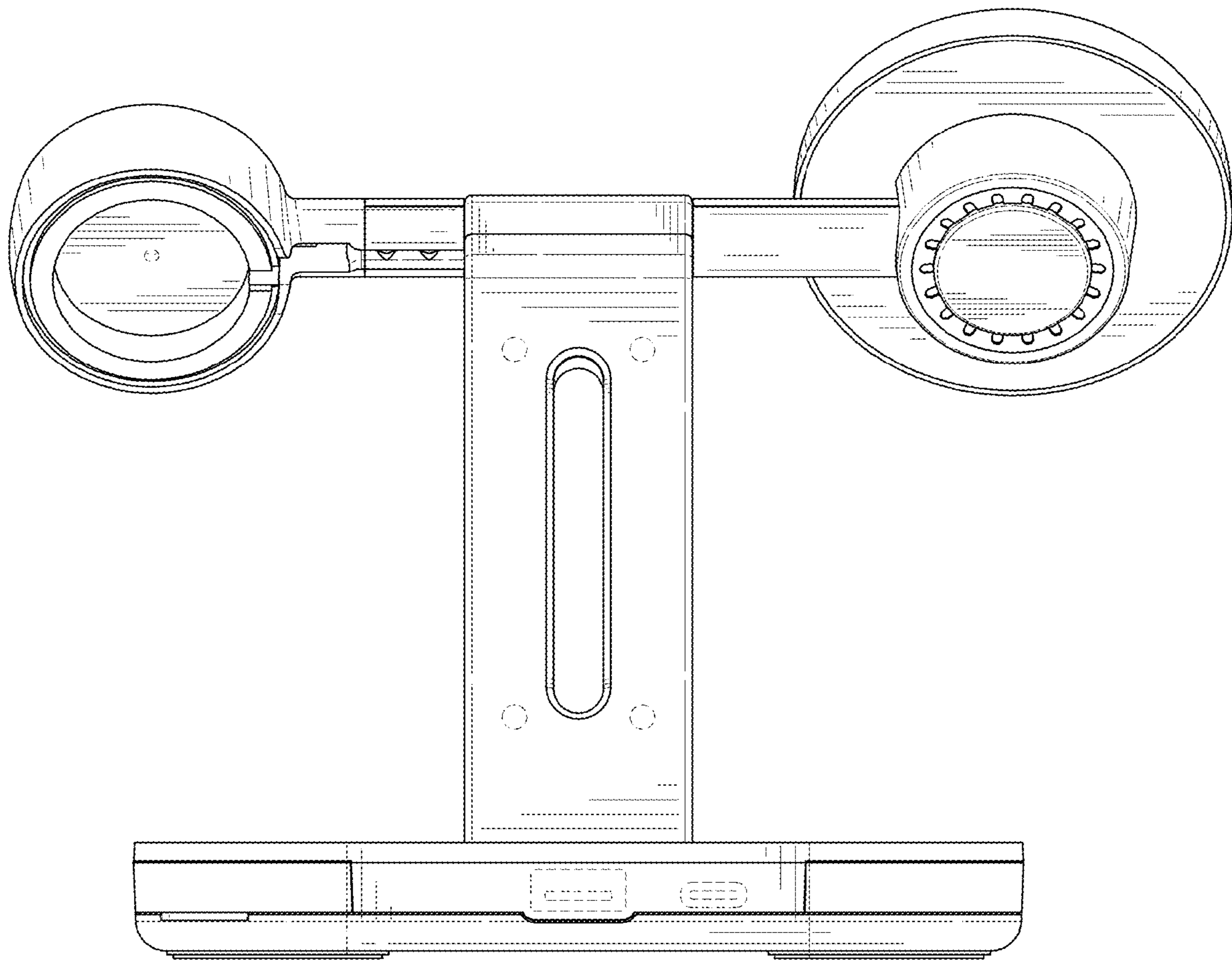


FIG. 4

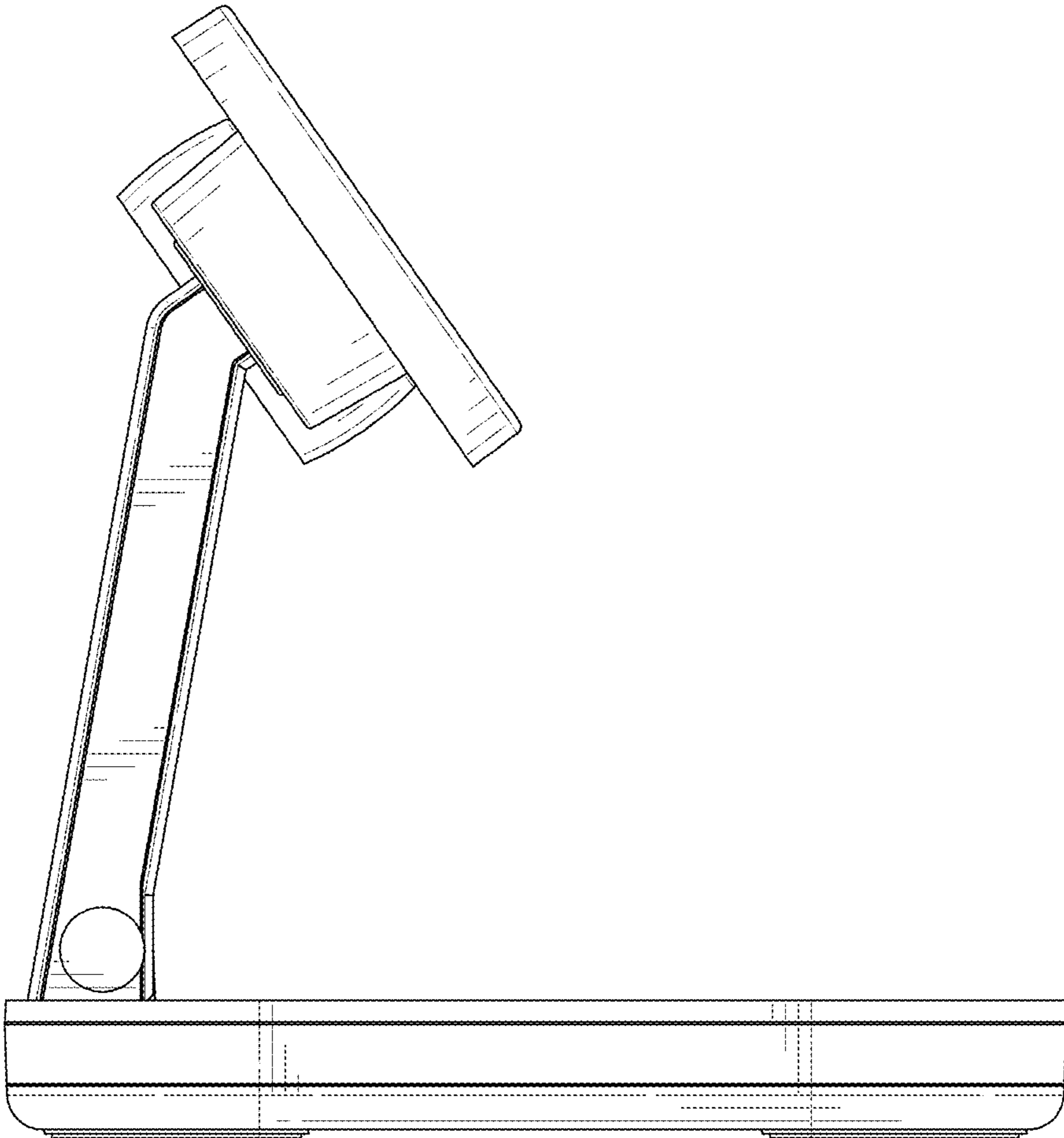


FIG. 5

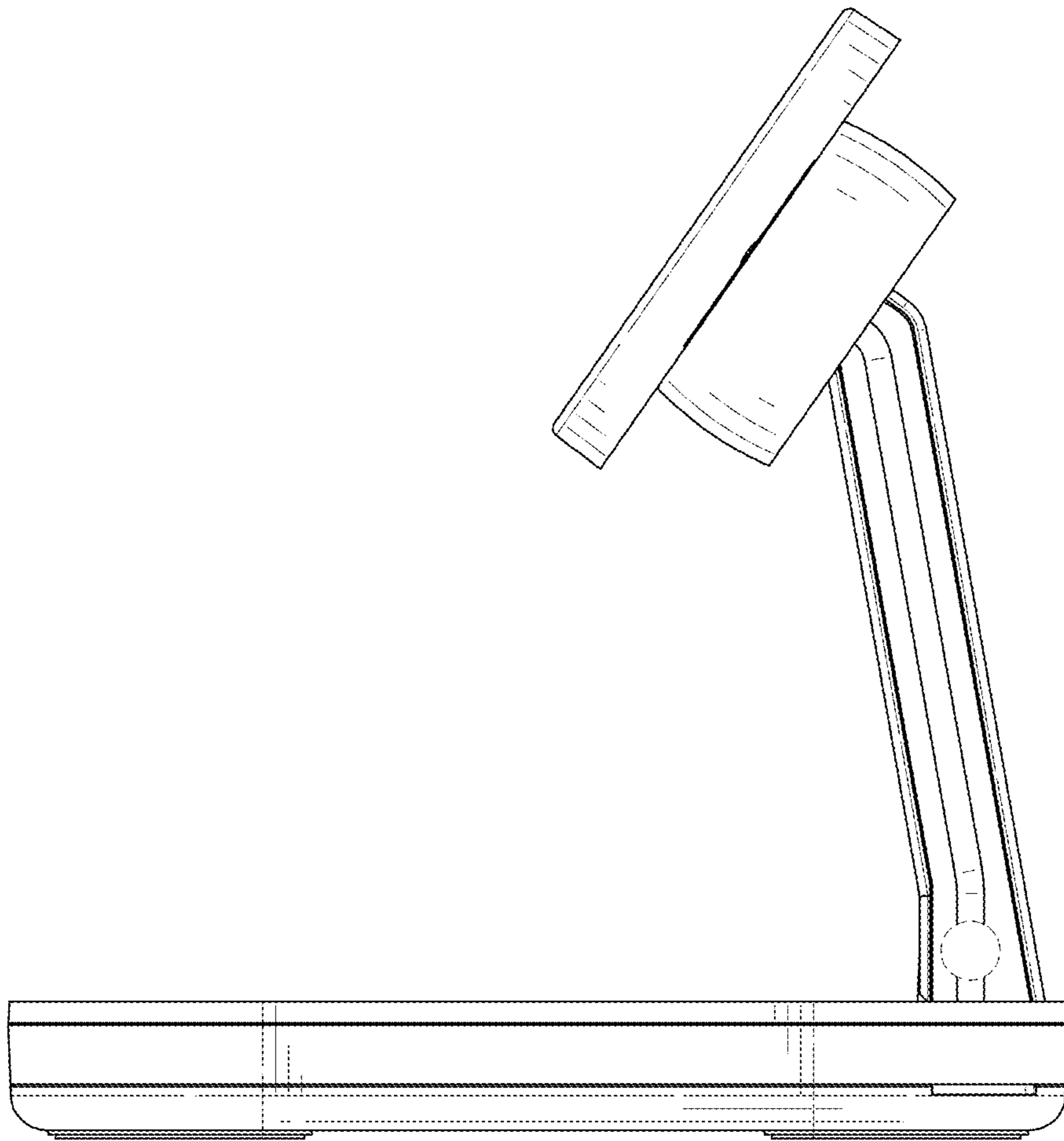


FIG. 6

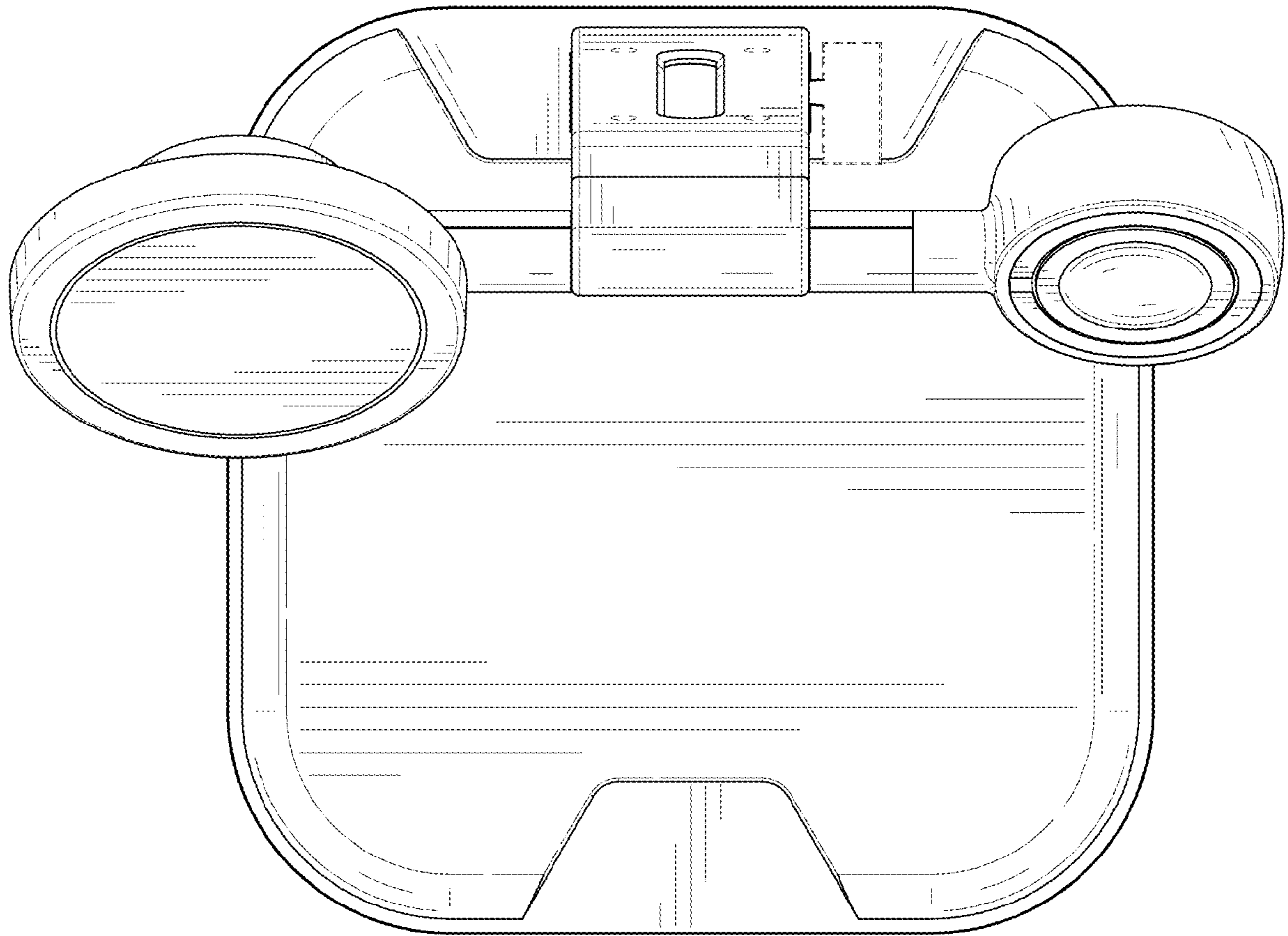


FIG. 7

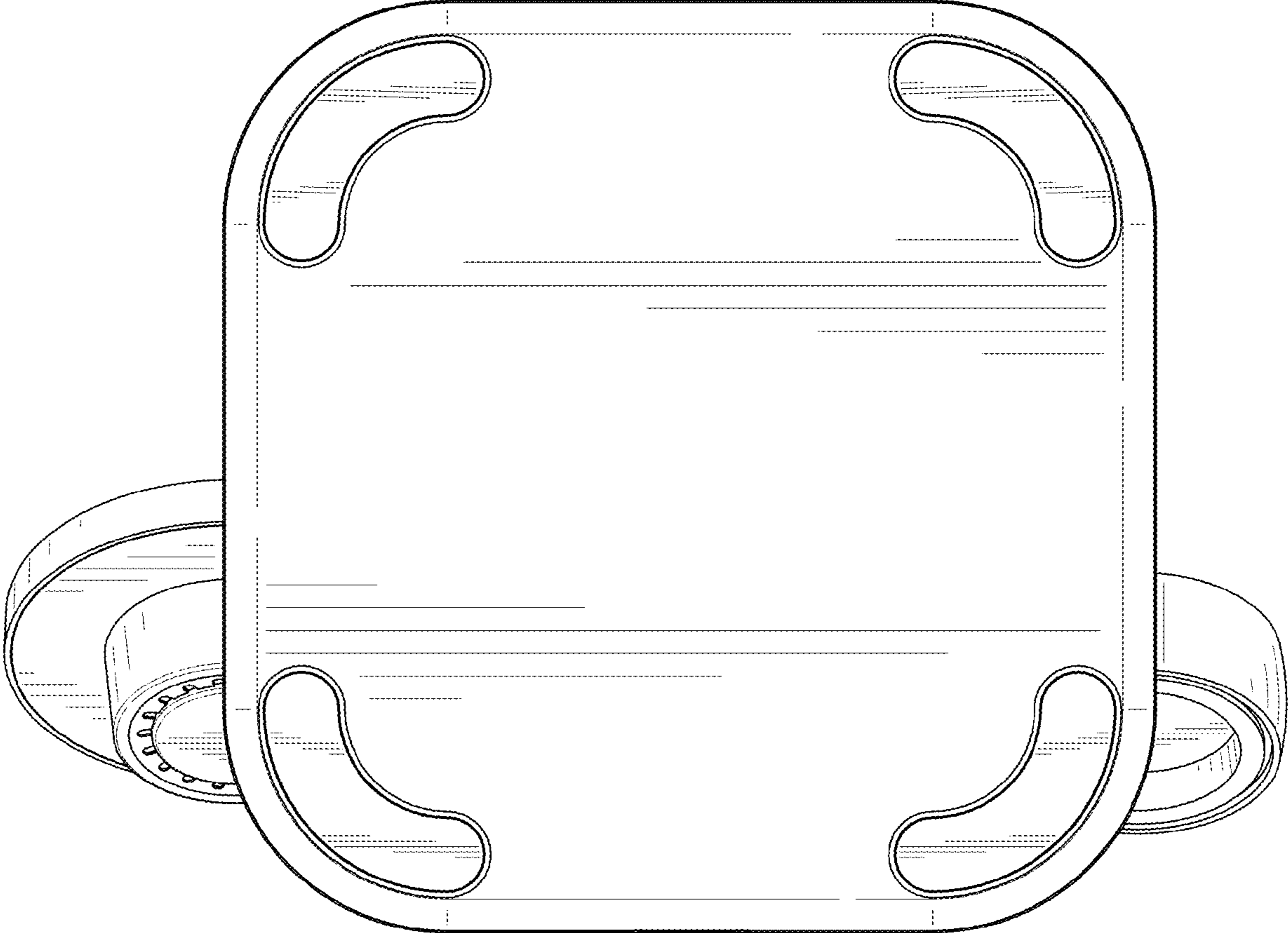


FIG. 8