



US00D960094S

(12) **United States Design Patent**  
**Jiang**

(10) **Patent No.:** **US D960,094 S**

(45) **Date of Patent:** **\*\* Aug. 9, 2022**

(54) **WIRELESS CHARGER**

(71) Applicant: **CYSPO TECHNOLOGY (SHEN ZHEN) CO., LTD.**, Shenzhen (CN)

(72) Inventor: **Ping Jiang**, Shenzhen (CN)

(\*\*) Term: **15 Years**

(21) Appl. No.: **29/780,241**

(22) Filed: **Apr. 23, 2021**

(30) **Foreign Application Priority Data**

Dec. 31, 2020 (CN) ..... 202030828653.5

(51) **LOC (13) Cl.** ..... **13-02**

(52) **U.S. Cl.**  
USPC ..... **D13/108**

(58) **Field of Classification Search**  
USPC ..... D13/103, 104, 107, 108, 110, 118, 119,  
D13/120, 183; D14/251, 252, 253, 432,  
D14/433, 434, 447

CPC ..... H04M 1/026; H02J 15/00; H04B 1/3877  
See application file for complete search history.

(56) **References Cited**

**U.S. PATENT DOCUMENTS**

|                   |         |           |       |                         |
|-------------------|---------|-----------|-------|-------------------------|
| D733,156 S *      | 6/2015  | Choi      | ..... | D14/447                 |
| D762,650 S *      | 8/2016  | Dang      | ..... | D14/434                 |
| 9,843,214 B2 *    | 12/2017 | Peek      | ..... | H02J 50/90              |
| D851,587 S *      | 6/2019  | Schmidt   | ..... | D13/108                 |
| D872,725 S *      | 1/2020  | Lindof    | ..... | D14/224                 |
| D884,622 S *      | 5/2020  | Huang     | ..... | D13/108                 |
| D893,500 S *      | 8/2020  | Burmester | ..... | D14/447                 |
| D904,297 S        | 12/2020 | Zhao      | ..... |                         |
| D928,703 S *      | 8/2021  | Liao      | ..... | D13/108                 |
| D942,389 S *      | 2/2022  | Sun       | ..... | D14/447                 |
| D944,788 S *      | 3/2022  | Huang     | ..... | D14/253                 |
| 2014/0263884 A1 * | 9/2014  | Grziwok   | ..... | F16M 11/08<br>248/176.3 |
| 2019/0190283 A1 * | 6/2019  | Lee       | ..... | H02J 7/0013             |
| 2020/0185952 A1 * | 6/2020  | Morrow    | ..... | H02J 50/005             |

**OTHER PUBLICATIONS**

“Belkin Boost Charge Pro 3-in-1 15W Wireless Charger”. Found online Mar. 8, 2022 at bhphotovideo.com. Reference dated Oct. 22, 2020. Retrieved from [https://www.bhphotovideo.com/c/product/1617699-REG/belkin\\_wiz009ttbk\\_boost\\_charge\\_pro\\_3\\_in\\_1.html/reviews](https://www.bhphotovideo.com/c/product/1617699-REG/belkin_wiz009ttbk_boost_charge_pro_3_in_1.html/reviews). (Year: 2020).\*

“Acdoob 3 in 1 Magnetic Wireless Charger”. Found online Mar. 8, 2022 at amazon.com. Reference dated Aug. 17, 2021. Retrieved from [https://www.amazon.com/dp/B099N75R7W/ref=sspa\\_dk\\_detail\\_2](https://www.amazon.com/dp/B099N75R7W/ref=sspa_dk_detail_2). (Year: 2021).\*

“Black Fin Charging Stand”. Found online Feb. 10, 2021 at amazon.sg. Reference dated Jul. 12, 2018. Retrieved from <https://www.amazon.sg/Black-Fin-Charging-Stand-Sliver/dp/B07FK2SGS4>. (Year: 2018).\*

\* cited by examiner

*Primary Examiner* — Kendra Leslie Hamilton

*Assistant Examiner* — Amanda Christensen

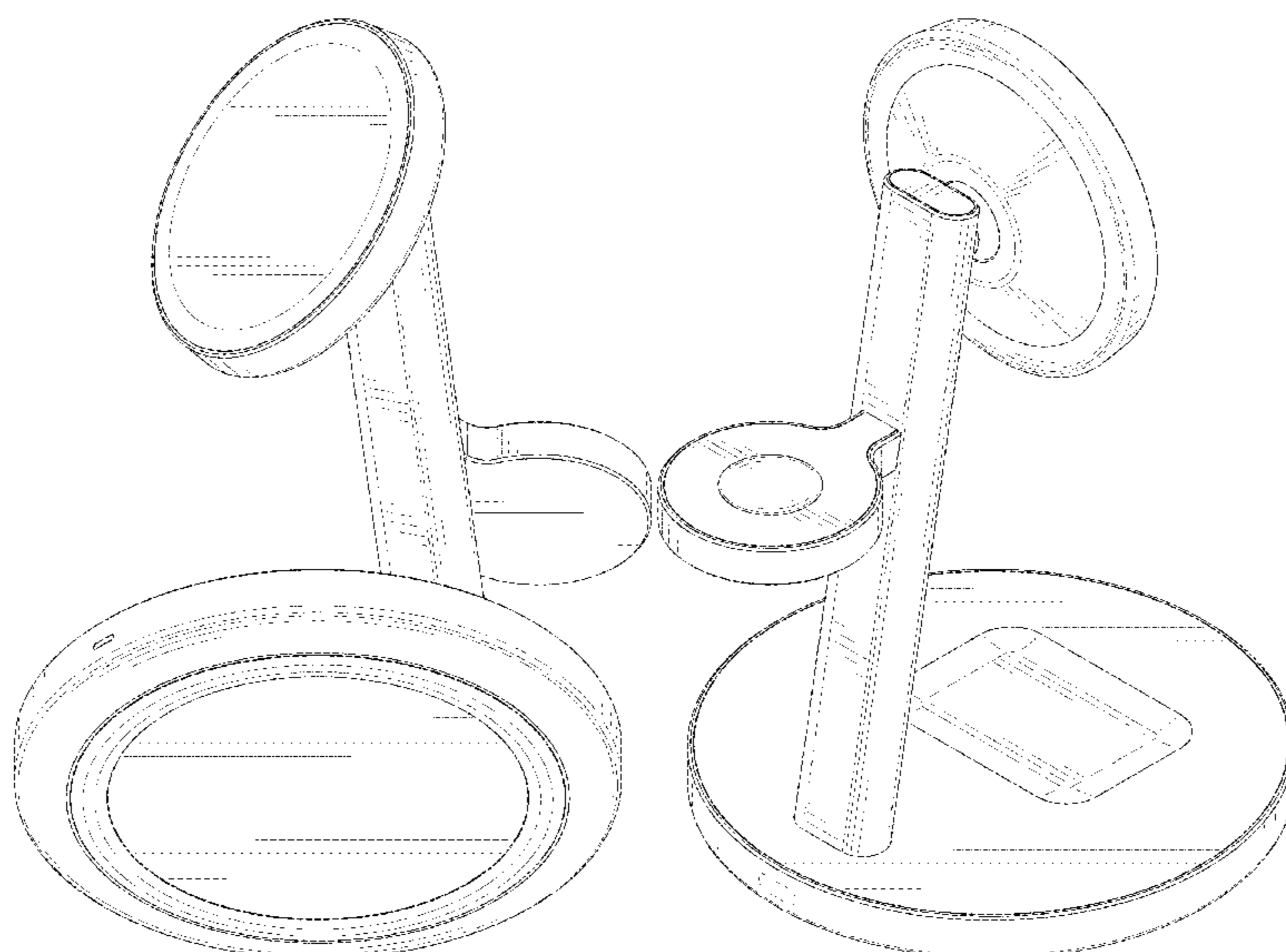
(57) **CLAIM**

The ornamental design for a wireless charger, as shown and described.

**DESCRIPTION**

FIG. 1 is a top, front, right side perspective view of a wireless charger, showing my new design;  
FIG. 2 is a bottom, rear, left side view thereof;  
FIG. 3 is a front elevation view thereof;  
FIG. 4 is a rear elevation view thereof;  
FIG. 5 is a left side elevation view thereof;  
FIG. 6 is a right side elevation view thereof;  
FIG. 7 is a top plan view thereof; and,  
FIG. 8 is a bottom plan view thereof.  
The broken lines depict portions of the wireless charger that form no part of the claimed design.

**1 Claim, 8 Drawing Sheets**



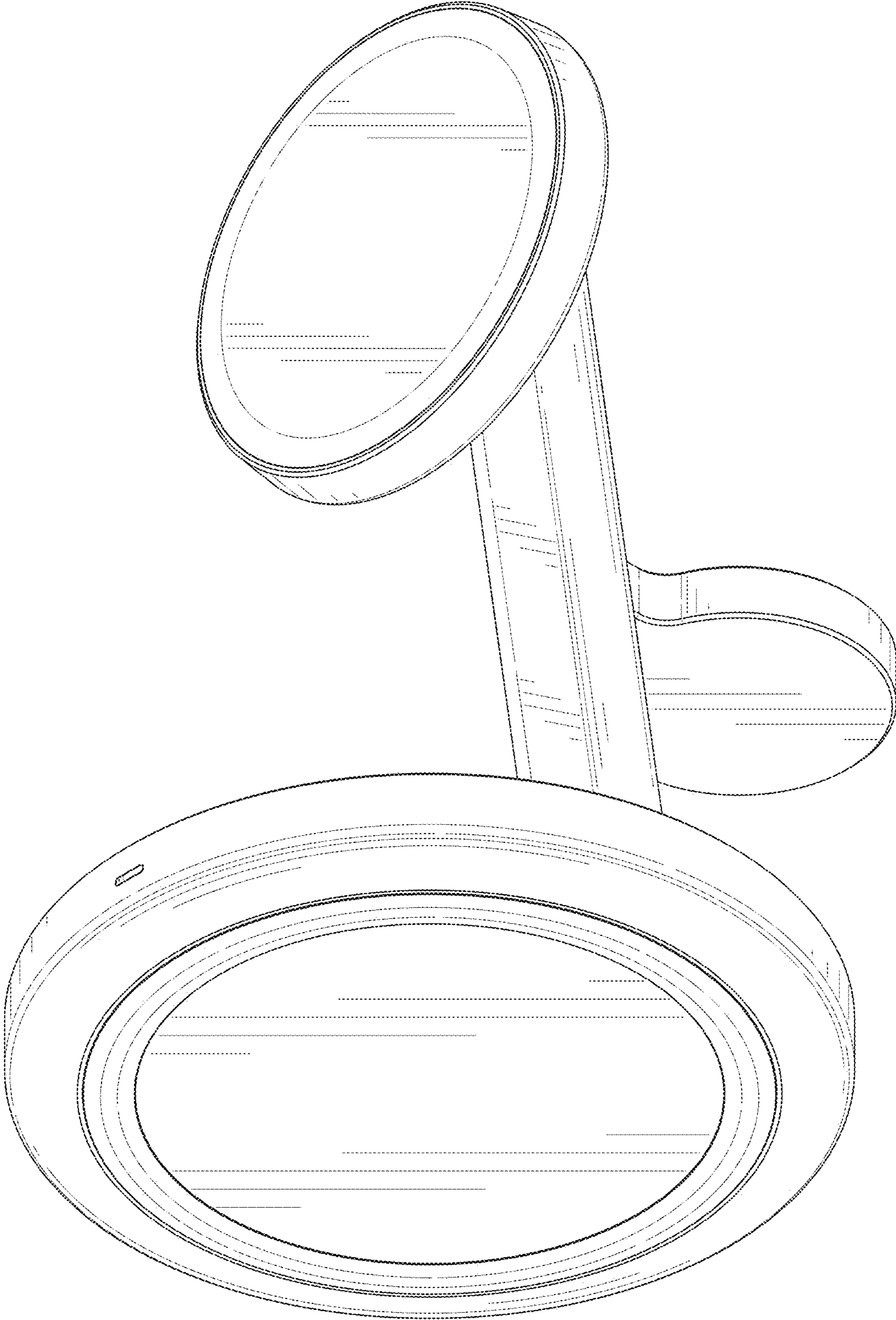


FIG. 1

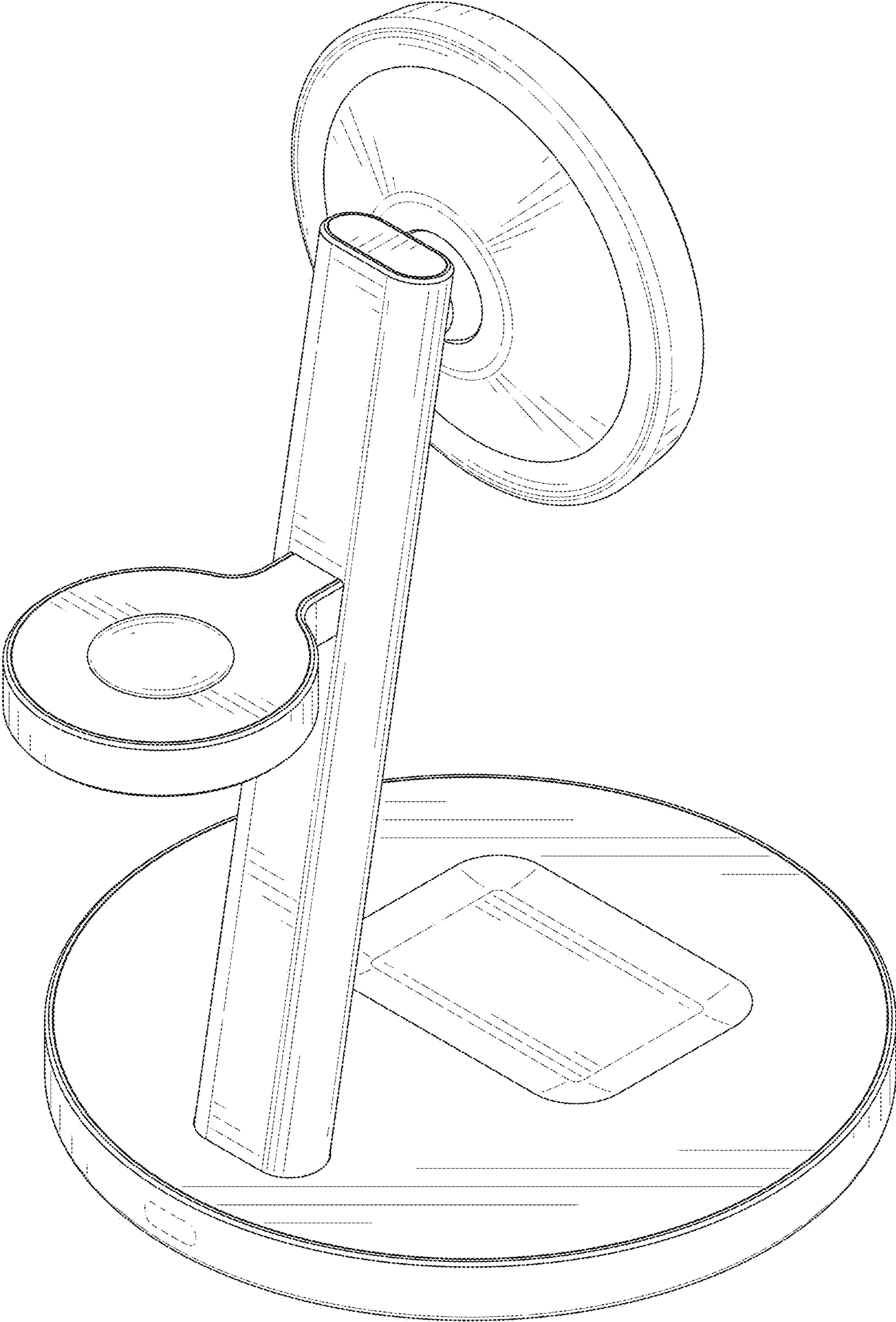


FIG. 2

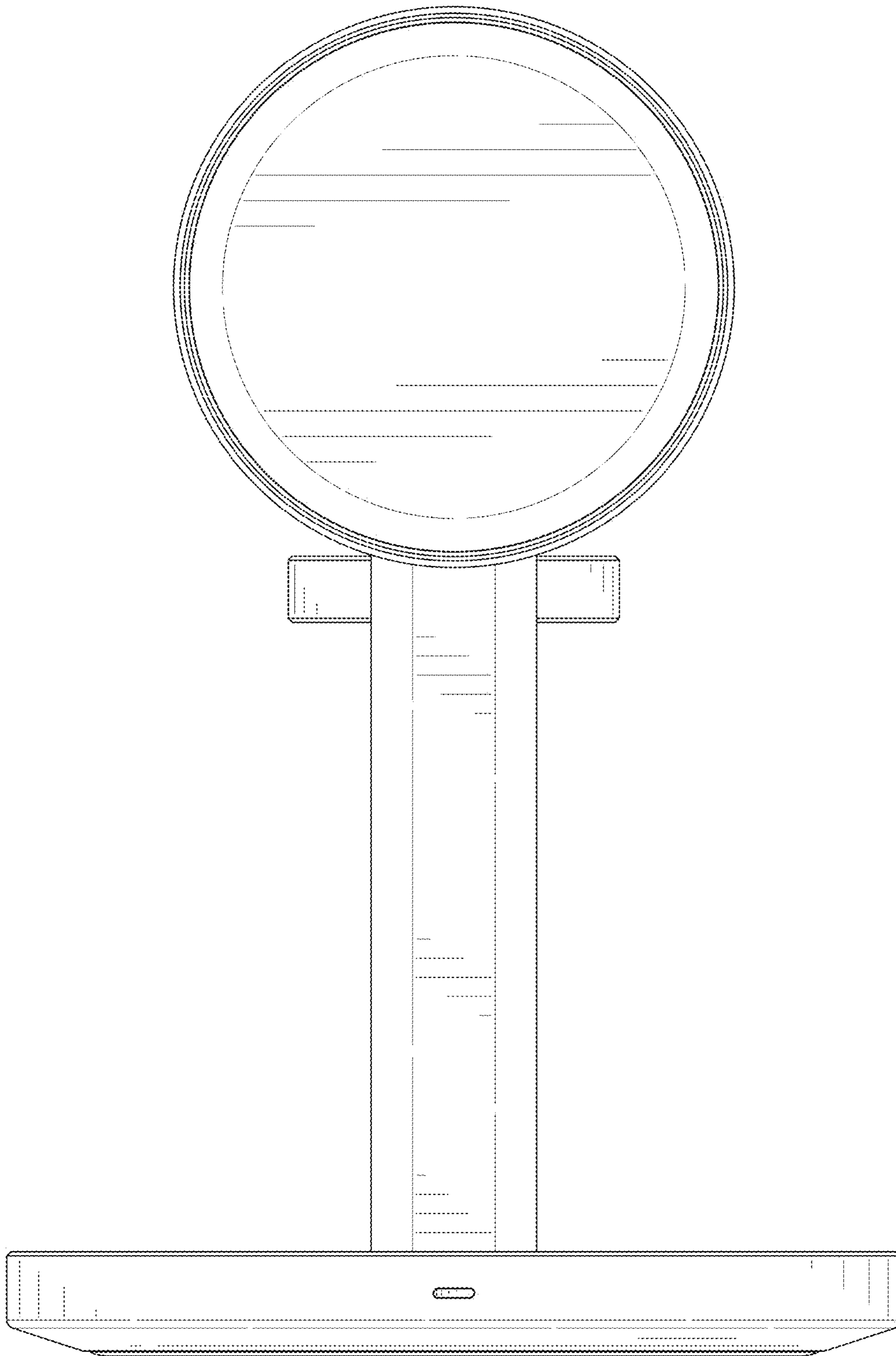


FIG. 3

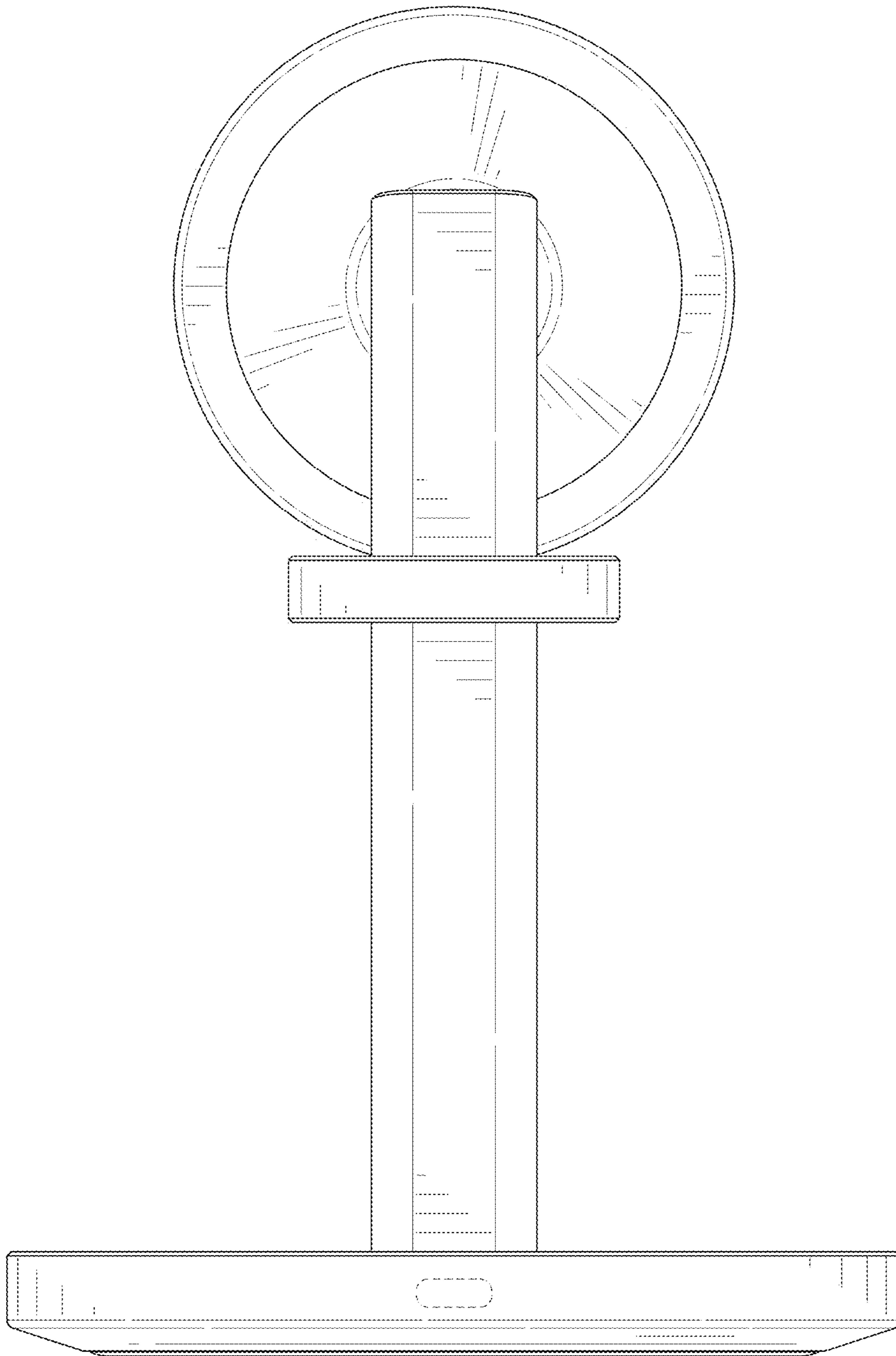


FIG. 4

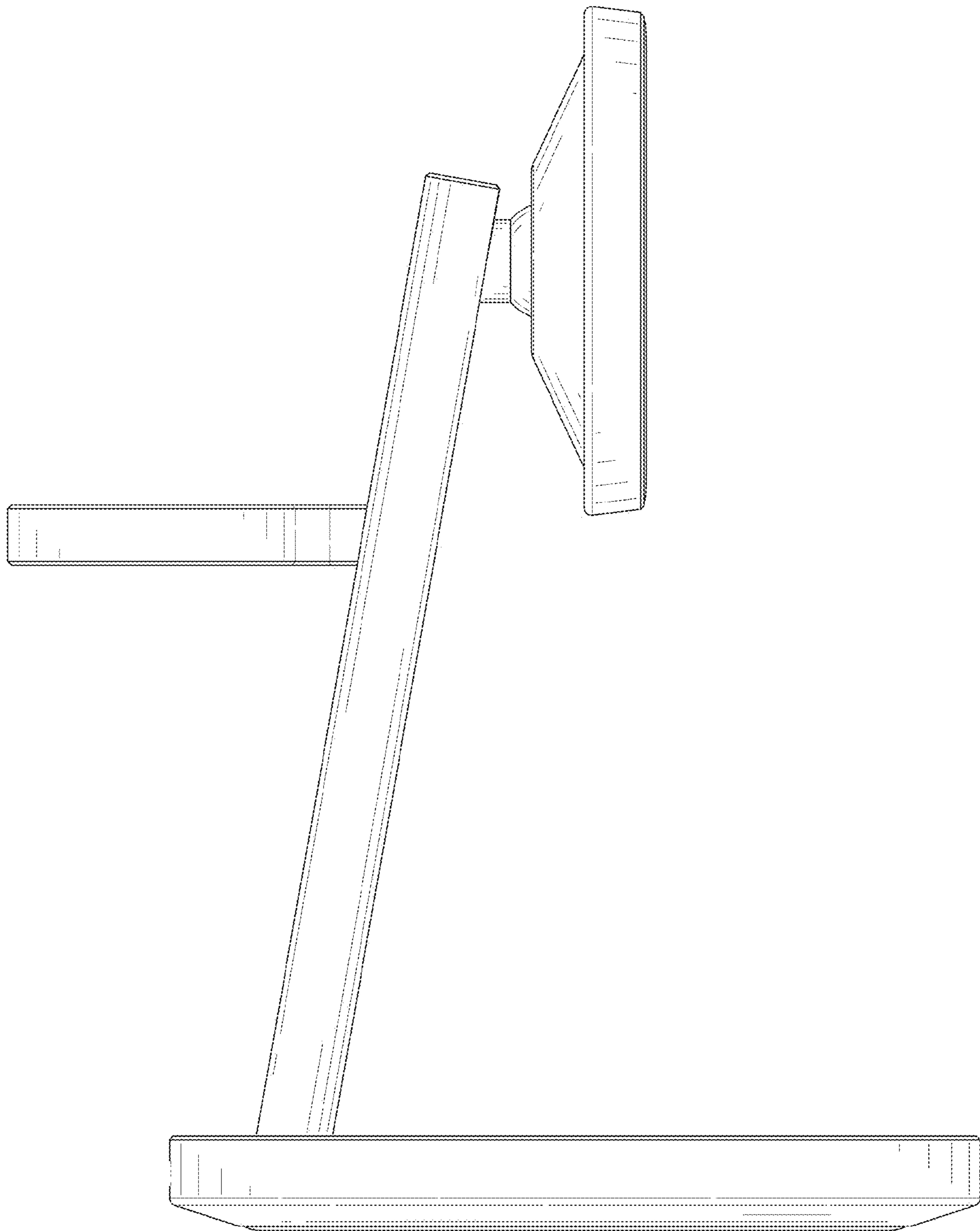


FIG. 5

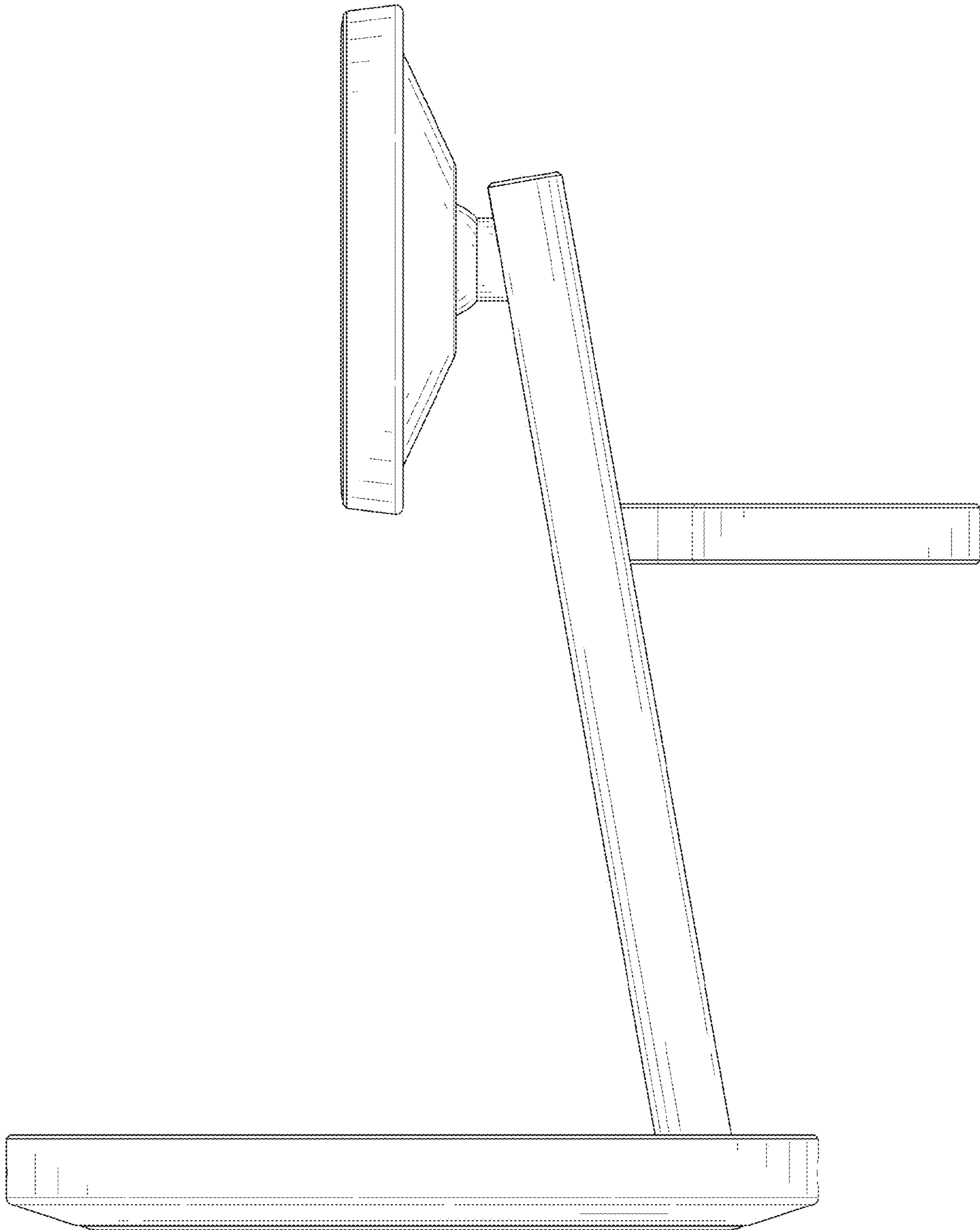


FIG. 6

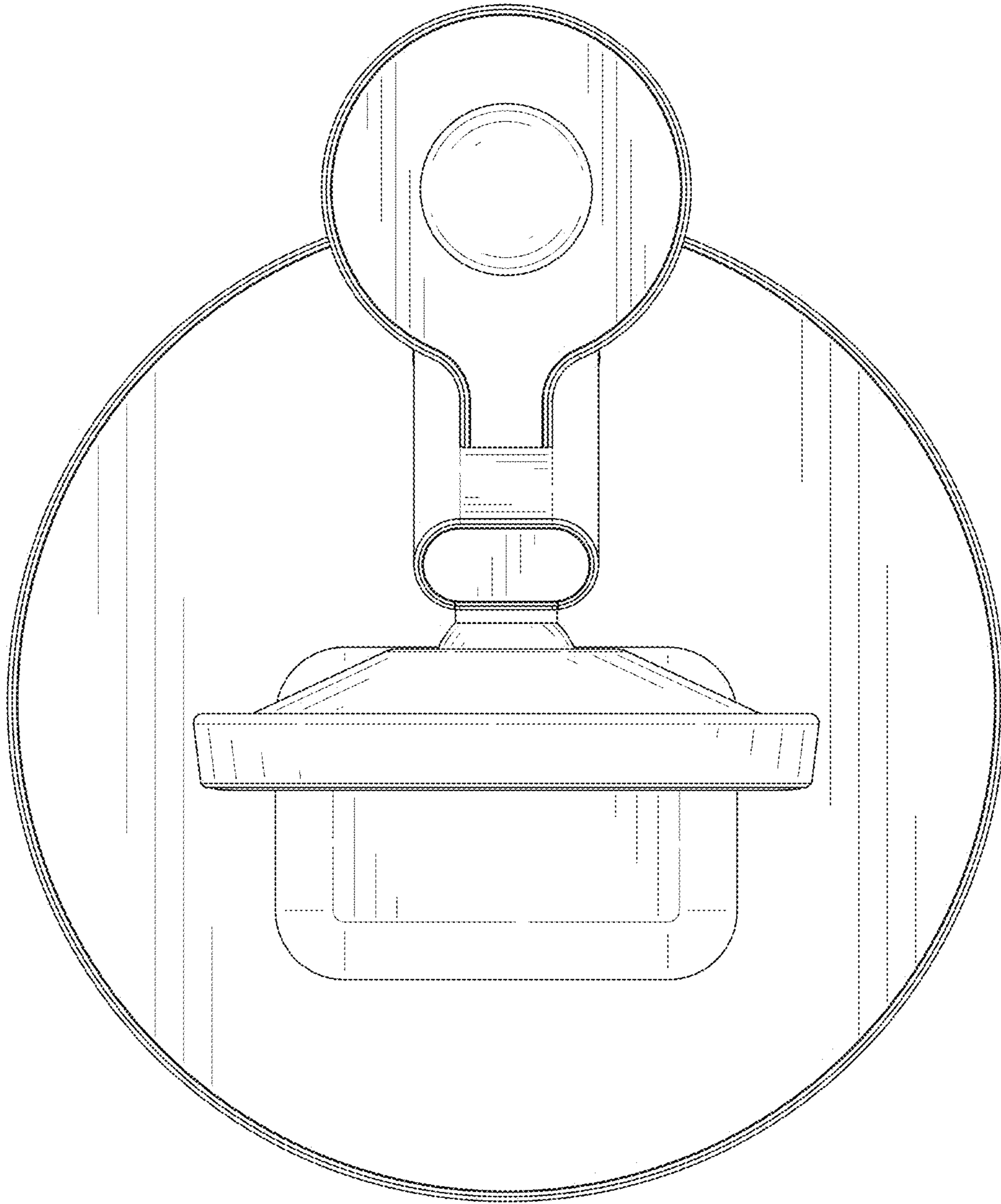


FIG. 7



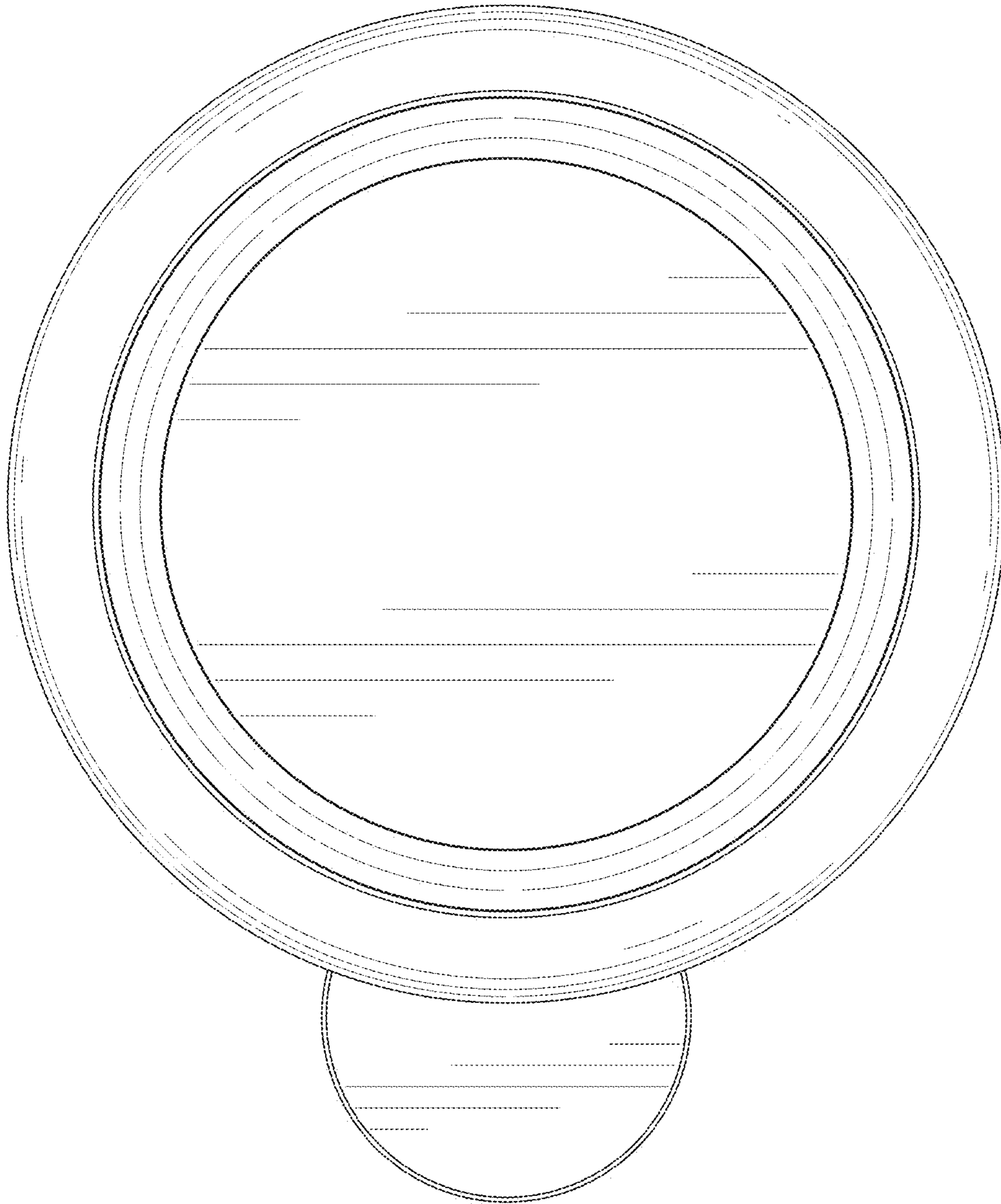


FIG. 8